


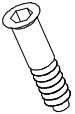


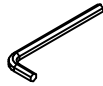


| | | | |
|---------------------------------------------------------------------------------------|-----|-------------------------------------------------------------------------------------|-----|
| ① N76702 | PCS | ② N76704 | PCS |
|  | 1 |  | 2 |
| H=1500 | | L=1180 | |
| ③ N76706 | PCS | ④ N00109 | PCS |
|  | 1 |  | 6 |
| L=1350 | | 7x30 | |
| ⑤ N00103 | PCS | ⑥ N00104 | PCS |
|  | 4 |  | 1 |
| M6x6 | | | |
| ⑦ N00134 | PCS | | PCS |
|  | 1 | | |

