




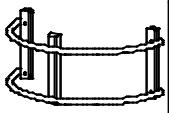
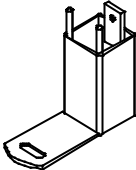
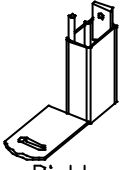
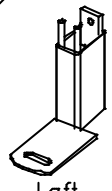
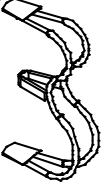

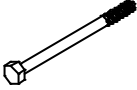





① N01816	ST	② N01830	ST
	6		32
8x16		8x30	
③ N21200	ST	④ N31228	ST
	4		4
M12		12,5x26x2	
⑤ N76317	ST	⑥ N76411	ST
	4		2
M12			
⑦ N76414	ST	⑧ N76415	ST
	2		1
		Right	
⑨ N76416	ST	⑩ N76605	ST
	1		16
Left			
⑪ N76606	ST	⑫ N01890	ST
	32		4
		8x90	
⑬ N01801	ST	⑭ N03816	ST
	4		6
MB			
⑮ N76416	ST		ST
	2		

<p>DET 1</p> <p>8x90 8,4x16x1,5 M8</p>	<p>DET 2</p> <p>N76606 8x30</p>	<p>DET 3</p> <p>8x16 M12 12,5x26x2 N76317</p>
<p>DET 4</p> <p>8x16 M12 12,5x26x2 N76317</p>	<p>DET 5</p> <p>M12 12,5x26x2 N76317</p>	<p>DET 6</p> <p>8x16</p>