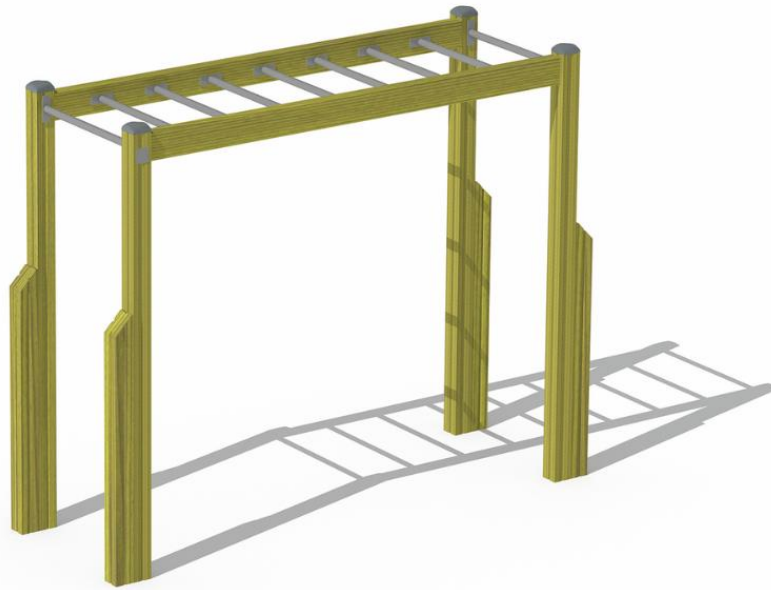
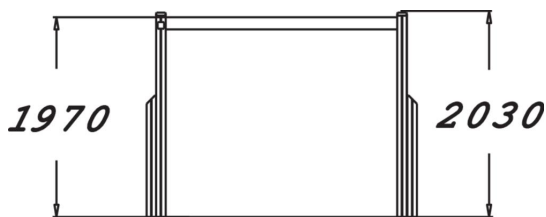
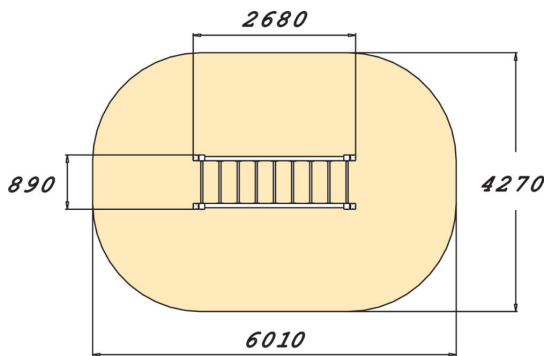


HANGING FRAME



Hanging frame with monkey bars. The ladder can be used for climbing with or without feet. The set is also suitable for chin-ups and various static holds such as L-holds or chin-up holds. The hanging frame is excellent for diverse upper-body and core exercises. The total height is 2030 mm.



User age	6+
Number of users	2
Product length, mm	2680
Product width, mm	890
Product height, mm	2030
Impact area, m ²	22.9
Falling space, m ²	22.9
Height required, mm	2100
Max. free fall height, mm	1970
Safety info	EN 16630, EN 1176-1 TÜV
Installation time (for 1), H	1
Foundation options	deep_mounting
Wood	<input checked="" type="radio"/>
Metal	<input type="radio"/>