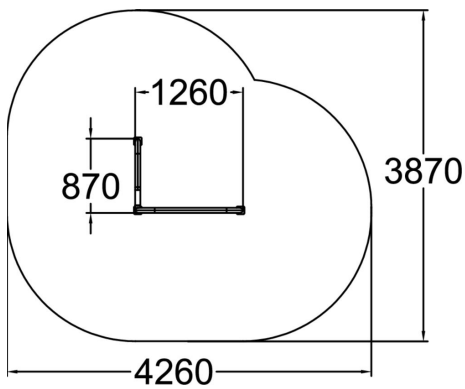


# Rail Corner Low



The low Rail Corner contains vault, jump & landings and balancing functions. The vault height is best suited for children and youth. Compared to a single rail, the two rails combined create variety and give the product a personalized look and feel. All Dash parkour rails are made of galvanized steel pipe.



Product length, mm	1260
Product width, mm	870
Product height, mm	650
Falling space, m <sup>2</sup>	13.1
Height required, mm	2750
Max. free fall height, mm	650
Safety info	EN 16899 TÜV
Foundation options	deep_mounting surface_mounting
Metal	