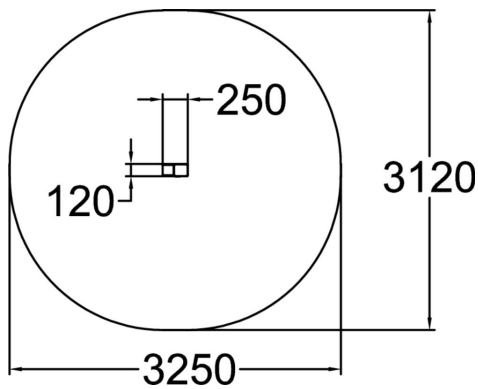




Dex step can be used for foot placement drills, landings and take offs using one or two feet. The small inclined surface provides chance for crane landings and creates unified look and feel with the other equipment in Dash Parkour. Dex step is made of galvanized steel tube structure and it's ready to be installed without assembling.



| | |
|-------------------------------|-----------------------------------|
| Product length, mm | 250 |
| Product width, mm | 120 |
| Product height, mm | 200 |
| Falling space, m ² | 8.2 |
| Height required, mm | 2300 |
| Max. free fall height, mm | 200 |
| Safety info | EN 16899 TÜV |
| Installation time (for 1), H | 0.25 |
| Foundation options | deep_mounting surface_mounting |

Metal

