

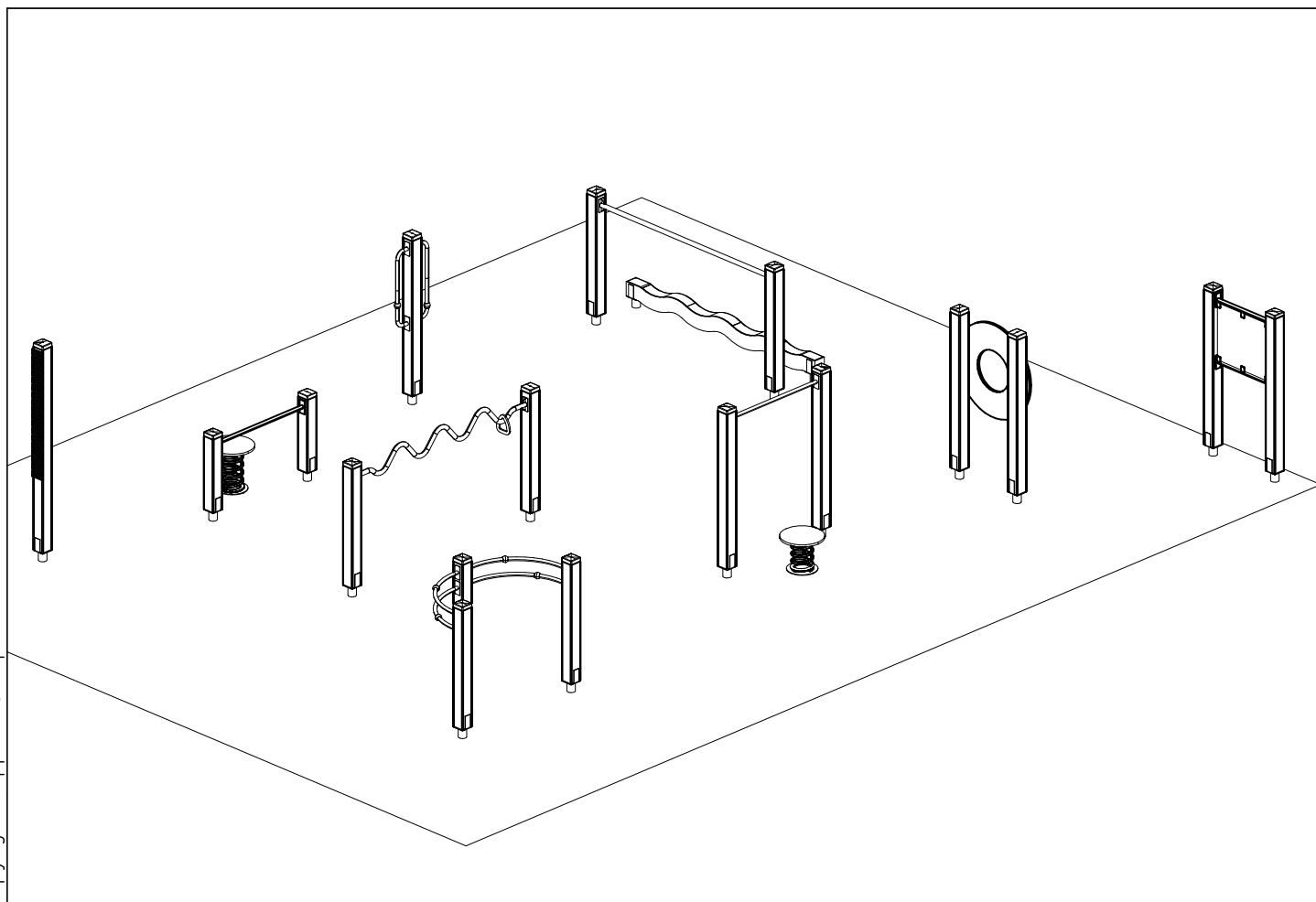
LAPPSET®

SPORT



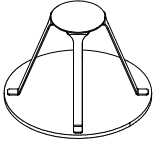


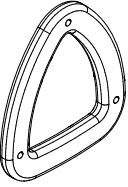
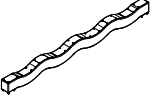


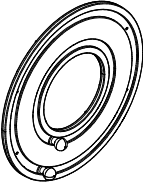

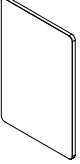
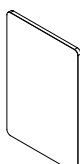



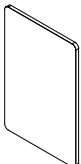
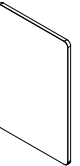
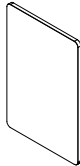

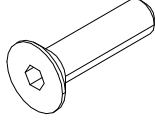


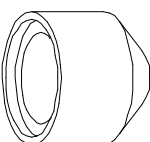

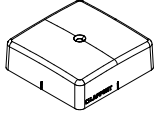
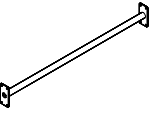

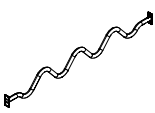
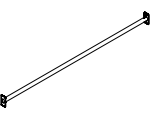
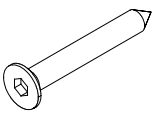

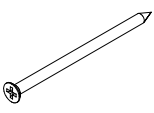

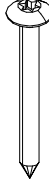
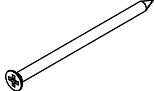

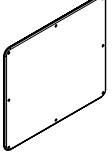
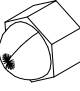
ASENNUSOHJE
MONTERINGSANSVISNING
INSTALLATION INSTRUCTION
AUFBAUANLEITUNG
NOTICE D'INSTALLATION

DATE: 11.9.2015

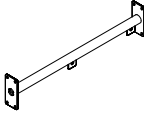
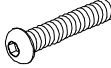
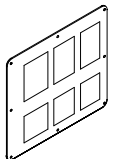
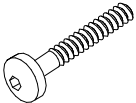
081510M



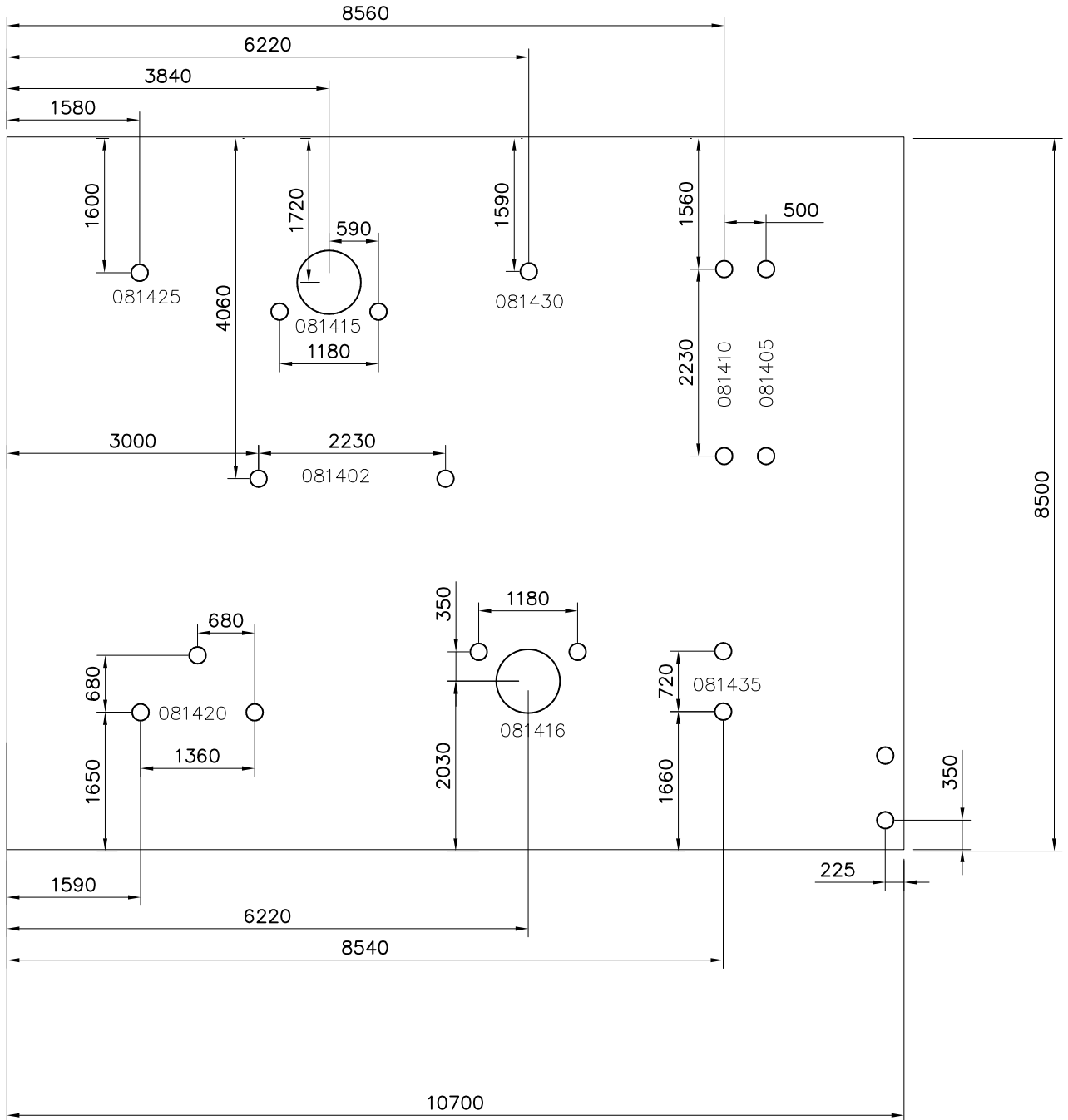
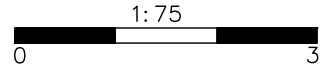
DATE: 15.9.2017

	PCS	705018	PCS	705034	PCS	705101	PCS	705329	PCS	705345	PCS
			7		1		2		2		7
		120x120x1170		120x120x1990				120x120x720		120x120x1520	
705369	PCS	705392	PCS	705439	PCS	705505	PCS	705520	PCS	705586	PCS
	1		1		2		4		1		2
		2360x200x120						Ø911		Ø400	
706040	PCS	706041	PCS	706043	PCS	706044	PCS	706045	PCS	706046	PCS
	1		1		1		1		1		1
706047	PCS	706048	PCS	706049	PCS	901487	PCS		PCS	903191	PCS
	1		1		1		6				4
						M10x40					
903192	PCS	905104	PCS	905761	PCS	905830	PCS	905838	PCS	906316	PCS
	1		76		19		17		2		1
20x200x400		M10		120x120x700		123x123x40		1060 Lime		20x200x300	
906566	PCS	906576	PCS	906630	PCS	906632	PCS		PCS	980104	PCS
	1		1		4		1				17
				8x60						Ø5x90	
980114	PCS	980123	PCS	980131	PCS	909256	PCS	705024	PCS	909633	PCS
	36		168		7		180		1		8
Ø4x20		Ø7x60		Ø6x60		Ø16/8.4x1.6		15x640x560		M8	

DATE: 15.9.2017

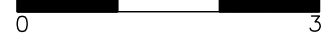
905936	PCS	909855	PCS	Acryl + sticker	PCS		PCS	901899 Optio	PCS		PCS
	2		7						8		
L 652		M8x35		640x560				M8x45			
	PCS		PCS		PCS		PCS		PCS		PCS
	PCS		PCS		PCS		PCS		PCS		PCS
	PCS		PCS		PCS		PCS		PCS		PCS
	PCS		PCS		PCS		PCS		PCS		PCS
	PCS		PCS		PCS		PCS		PCS		PCS

Grid size = 500 mm



Area of Movement 80.1 m²
Max Falling Height 420mm

1:75

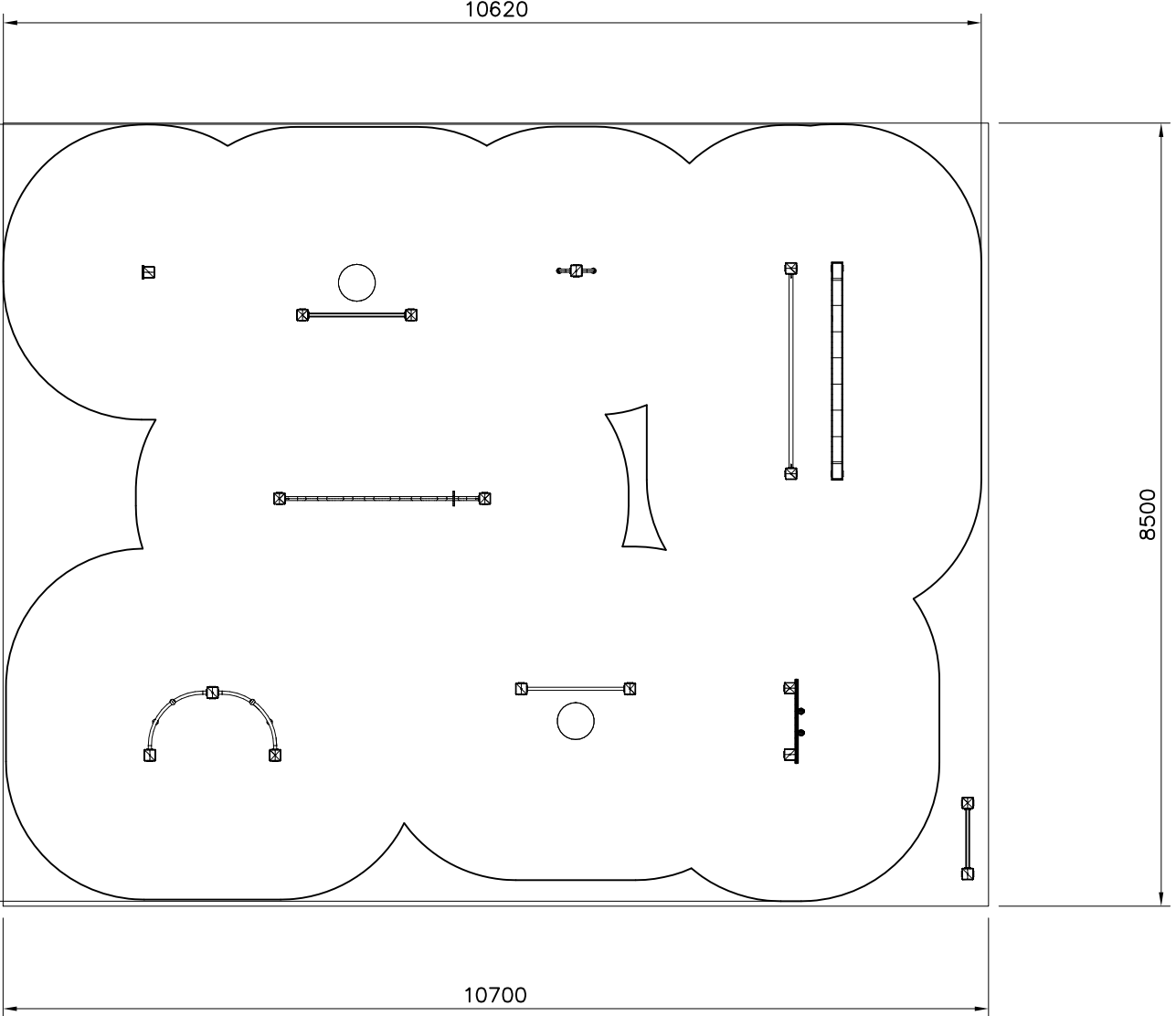


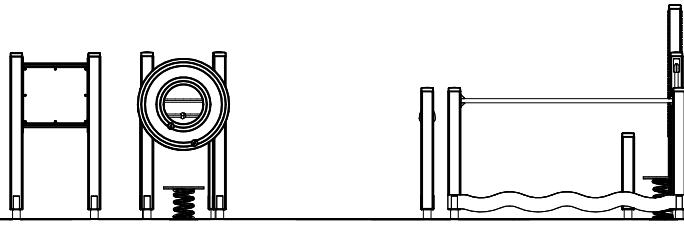
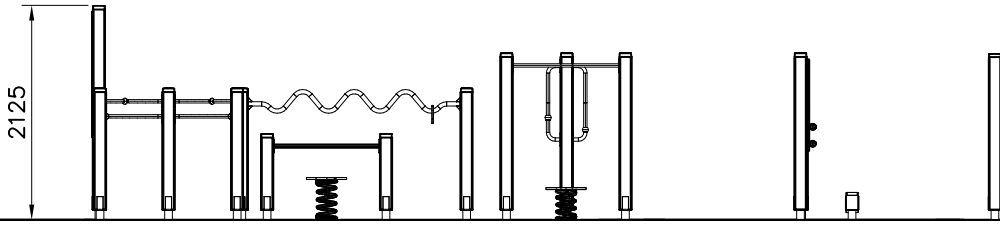
10620

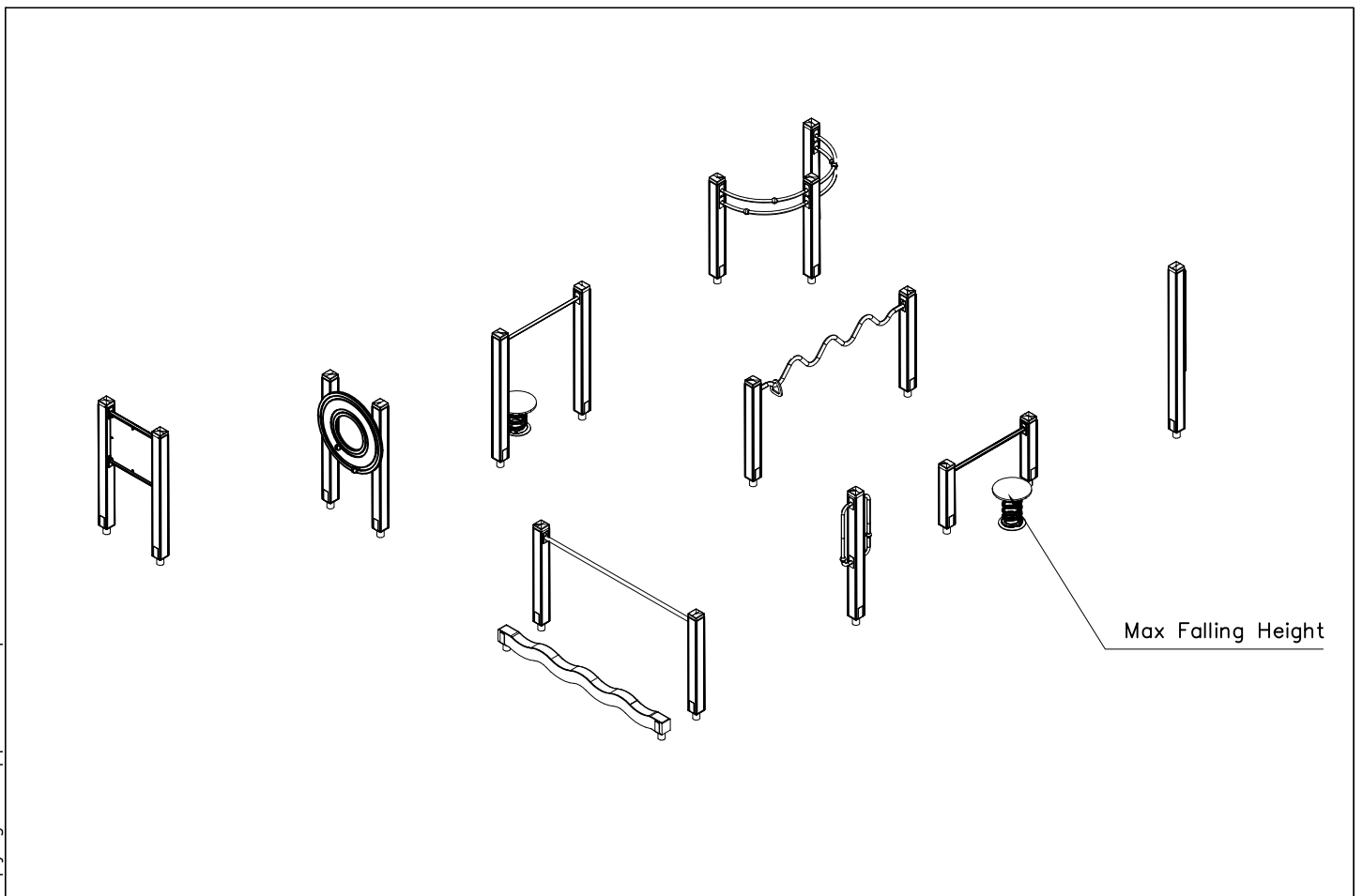
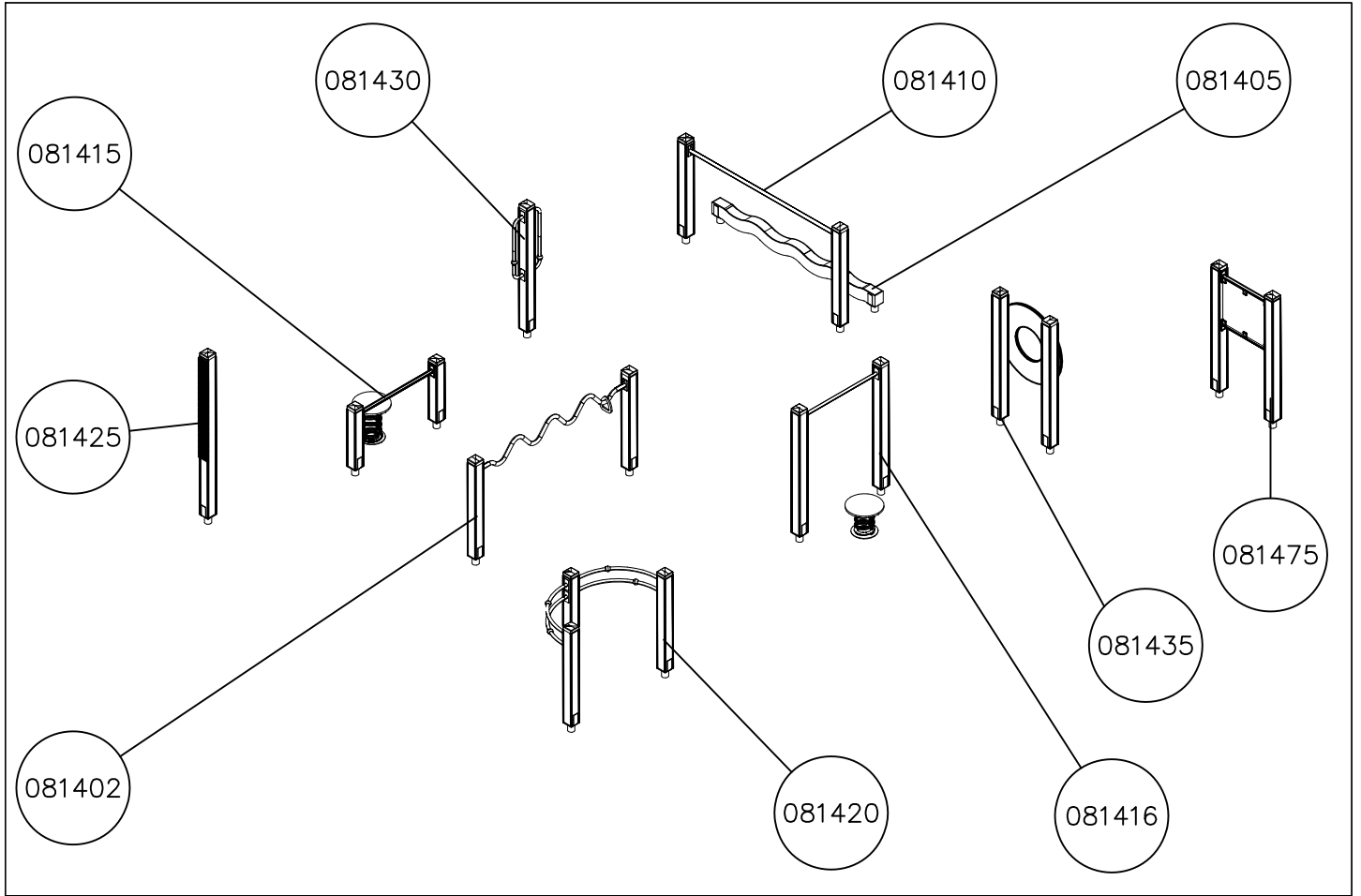
8440

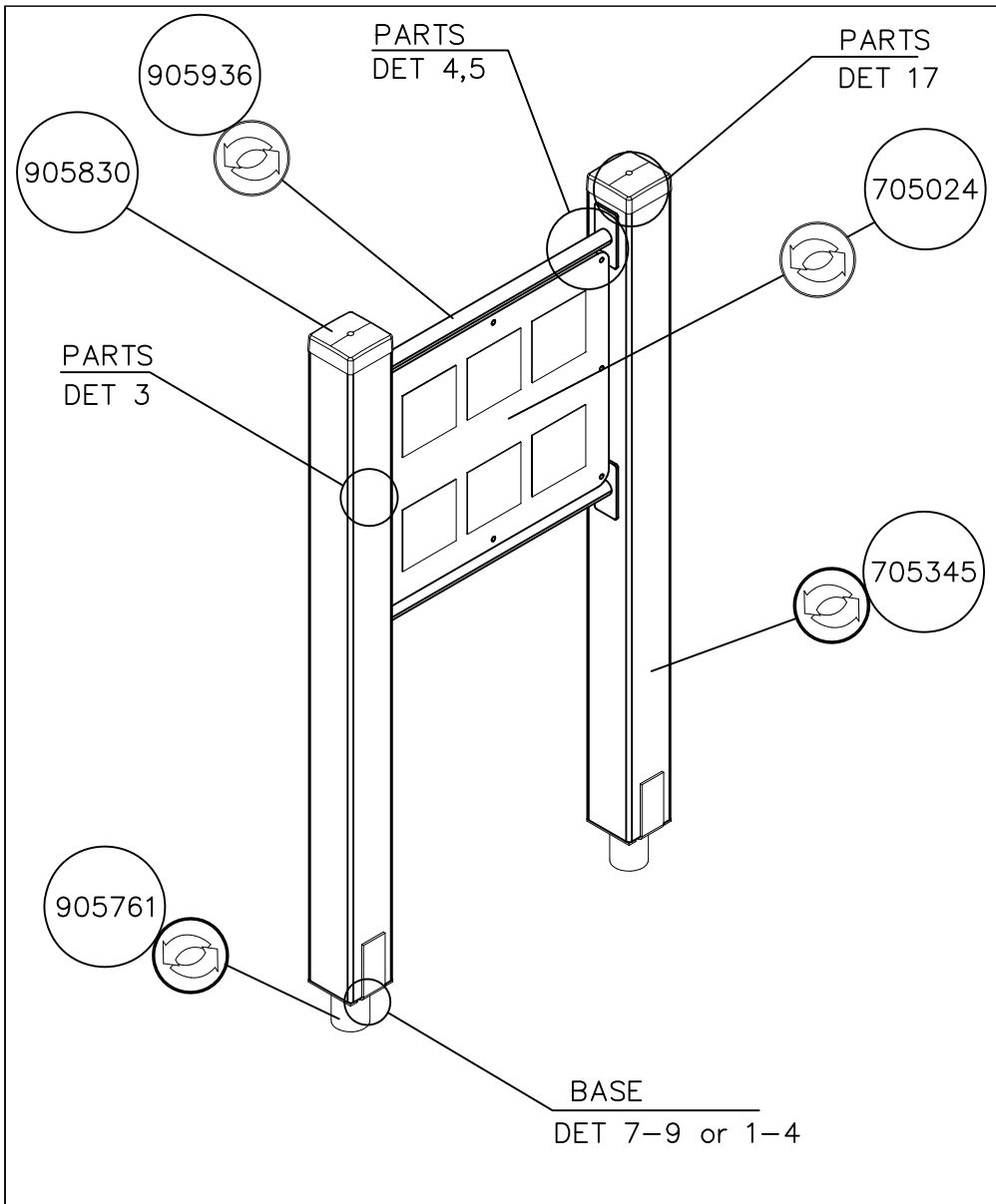
8500

10700



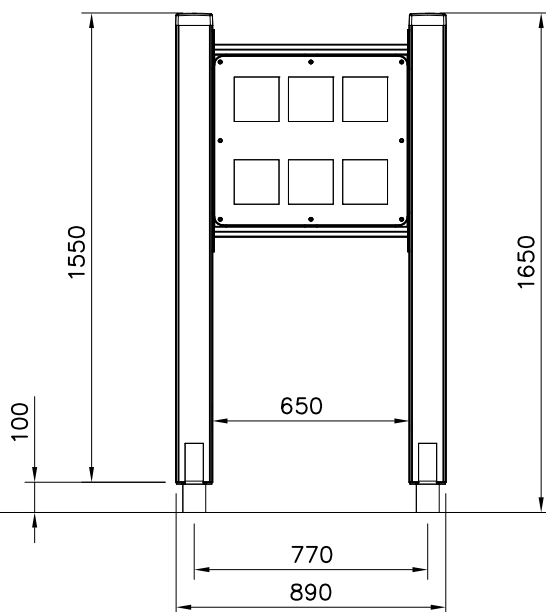


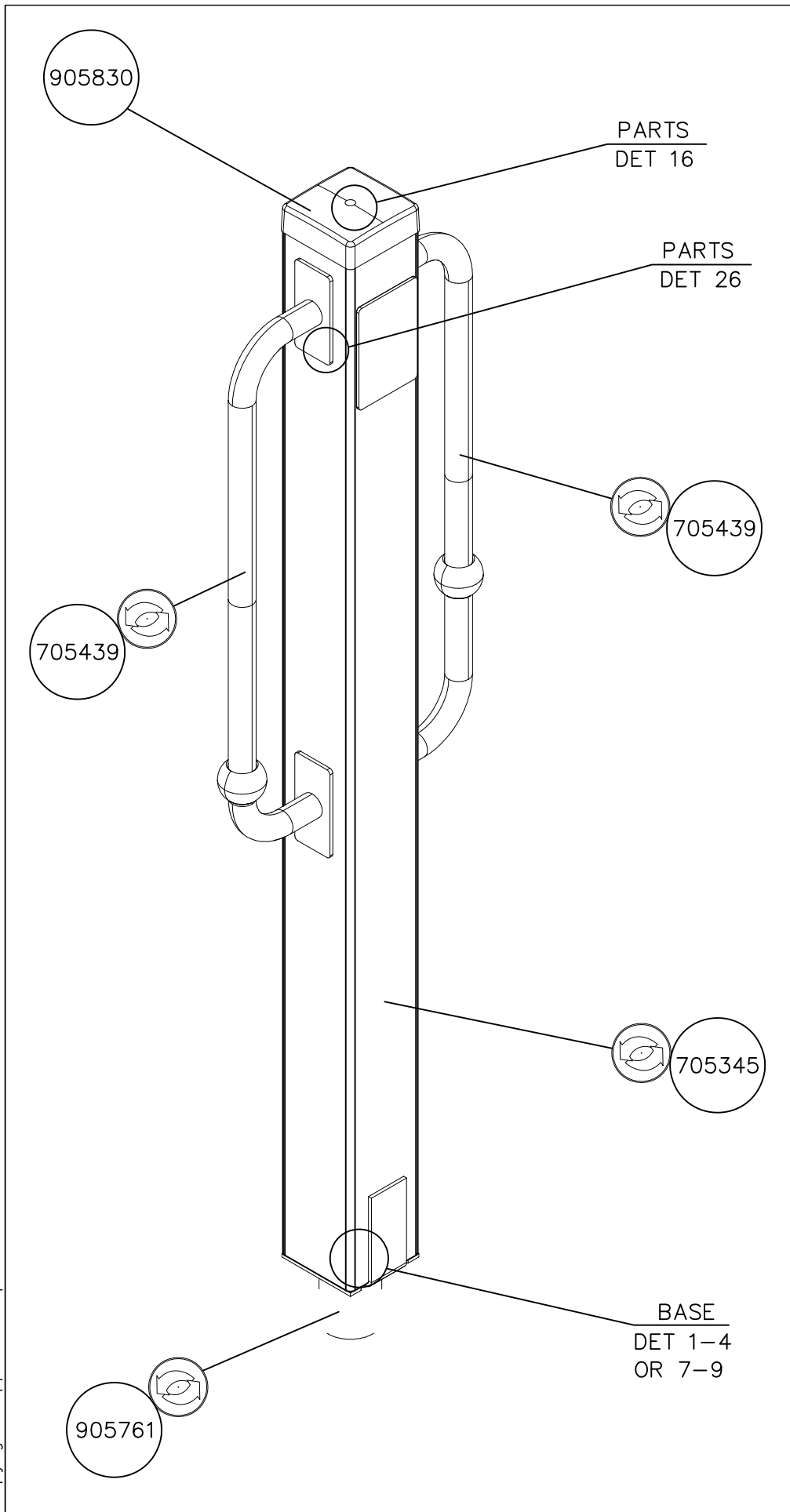




① 705024	PCS	② 705345	PCS
	1		2
15x640x560		120x120x1520	
③ 909633	PCS	④ 905104	PCS
	8		8
M8		M10	
⑤ 905761	PCS	⑥ 905830	PCS
	2		2
120x120x700		123x123x40	
⑦ 905936	PCS	⑧ 909256	PCS
	2		32
L=652		Ø16/8.4x1.6	
⑨ 909855	PCS	⑩ 980104	PCS
	8		2
M8x35		Ø5x90	
⑪ 980123	PCS		PCS
	20		
Ø7x60			
⑫ 901899	PCS		PCS
Optio	8		
M8x45			
Not Included	PCS		PCS
640x560			

1: 25

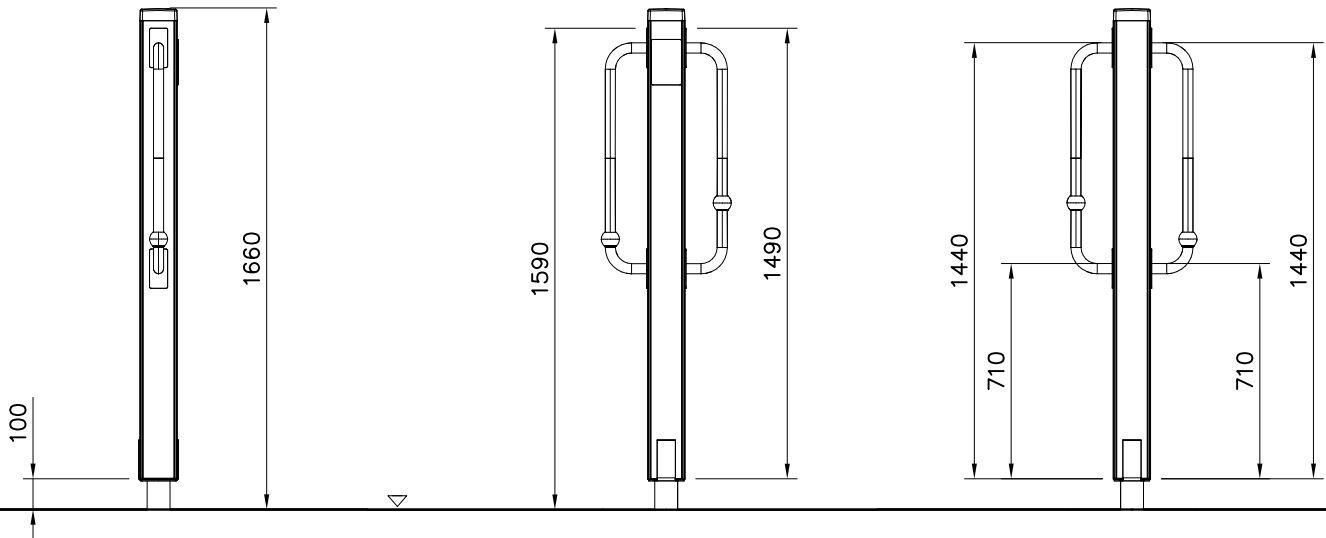




①	706048	PCS	②	705345	PCS
		1			1
				120x120x1520	
③	705439	PCS	④	980114	PCS
		2			4
				Ø4x20	
⑤	905104	PCS	⑥	905761	PCS
		4			1
	M10			120x120x700	
⑦	905830	PCS	⑧	980104	PCS
		1			1
	123x123x40			Ø5x90	
⑨	980123	PCS	⑩	909256	PCS
		20			20
	Ø7x60			Ø16/8.4	
		PCS			PCS
		PCS			PCS
		PCS			PCS

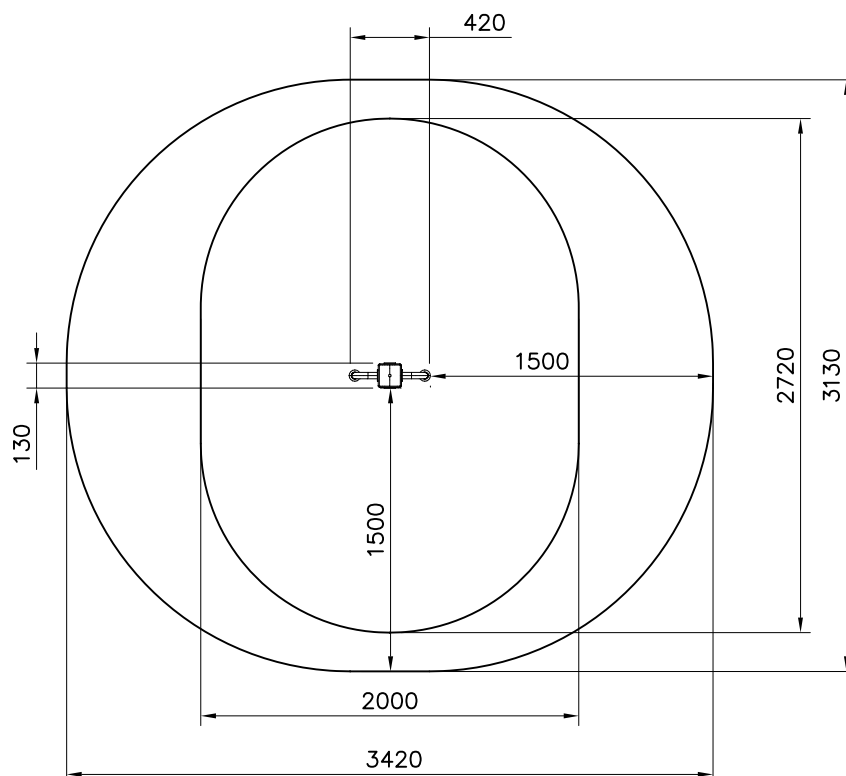


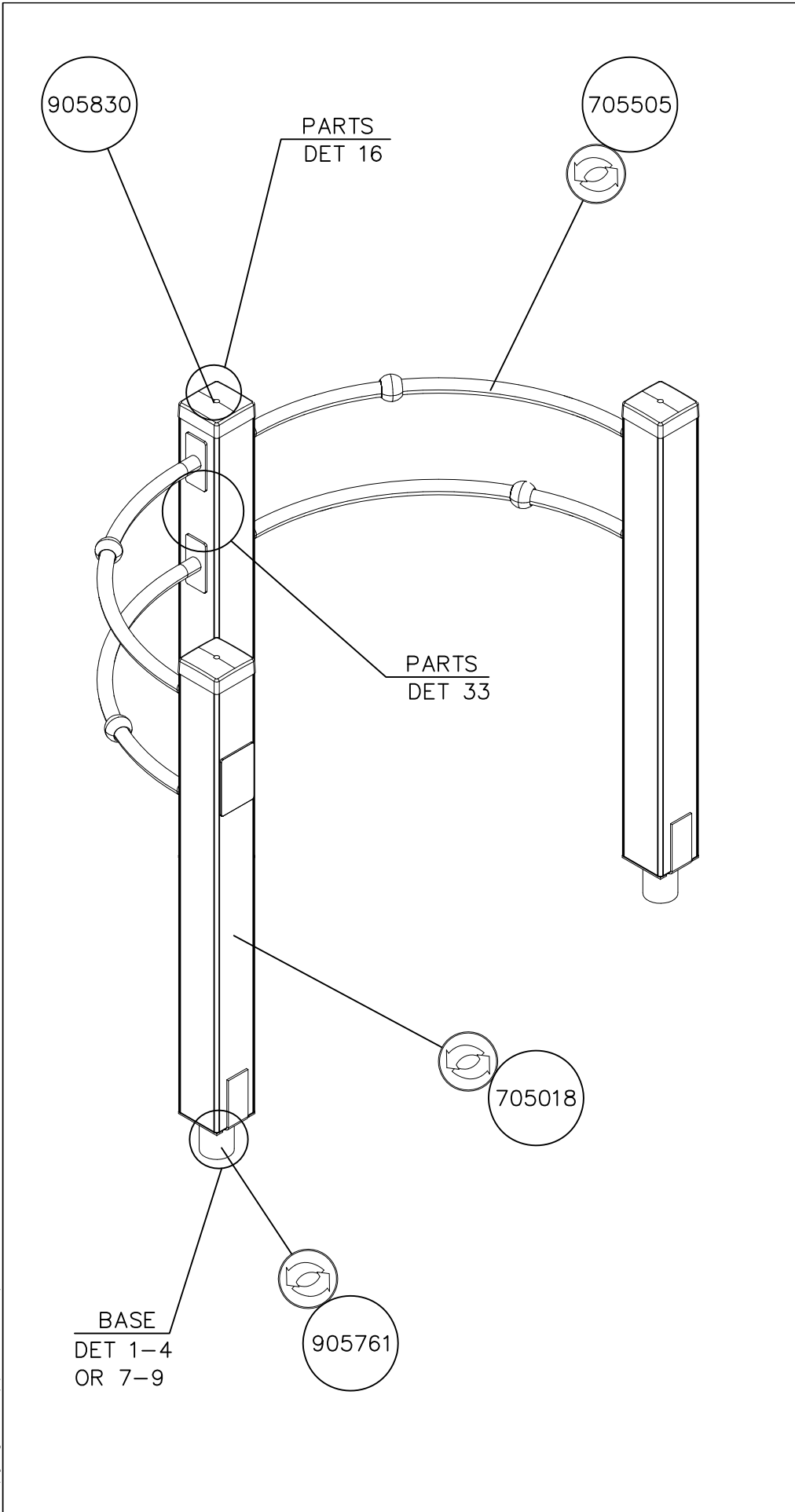
1: 25



Area of Movement 8.8 m²
Training Space 4.6 m²
Max Falling Height 0 mm

1: 40

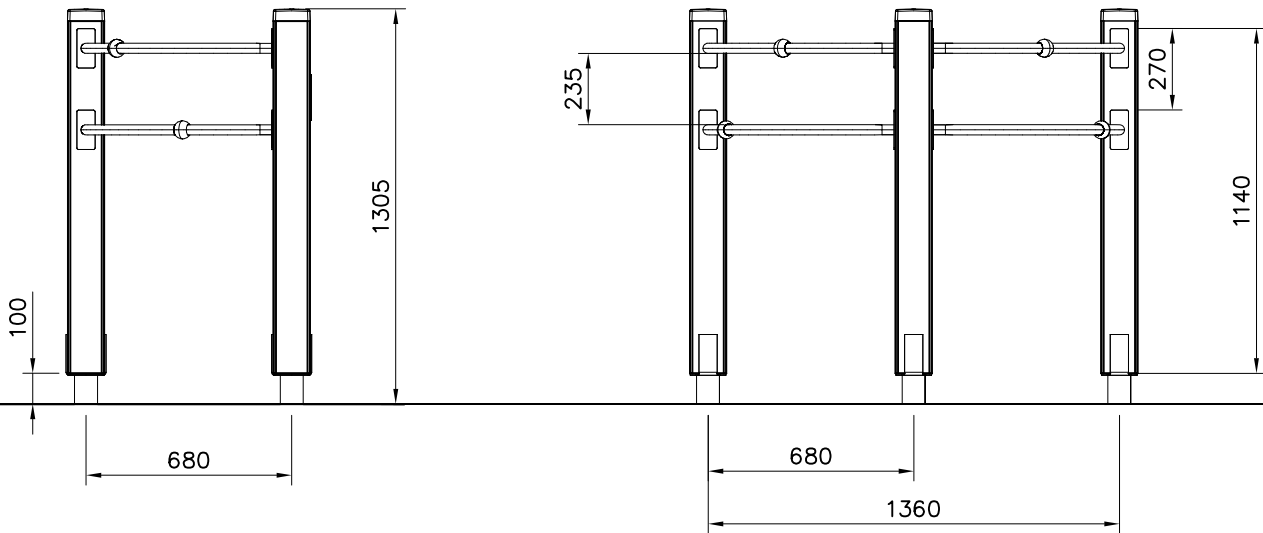




①	706046	PCS	②	705018	PCS
		1			3
				120x120x1170	
③	705505	PCS	④	980114	PCS
		4			4
				Ø4x20	
⑤	905104	PCS	⑥	905761	PCS
		12			3
	M10			120x120x700	
⑦	905830	PCS	⑧	980104	PCS
		3			3
	123x123x40			Ø5x90	
⑨	980123	PCS	⑩	909256	PCS
		44			44
	Ø7x60			Ø16/8.4	
		PCS			PCS
		PCS			PCS
		PCS			PCS

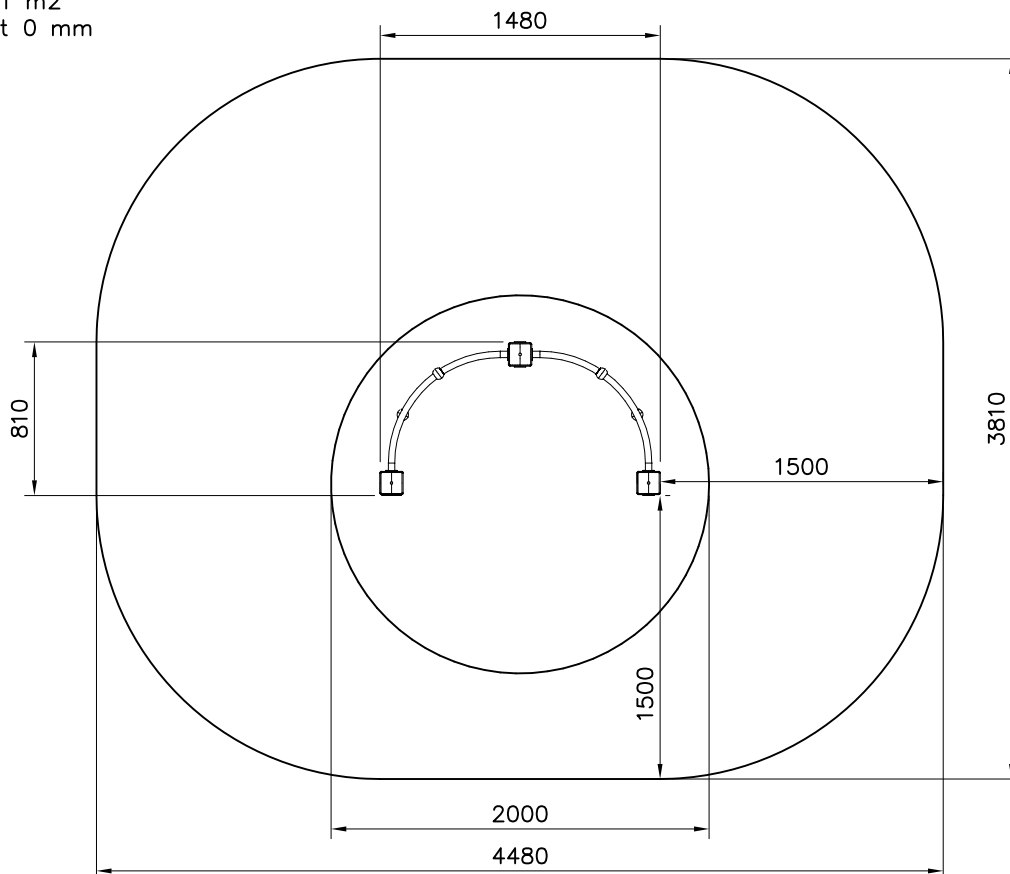


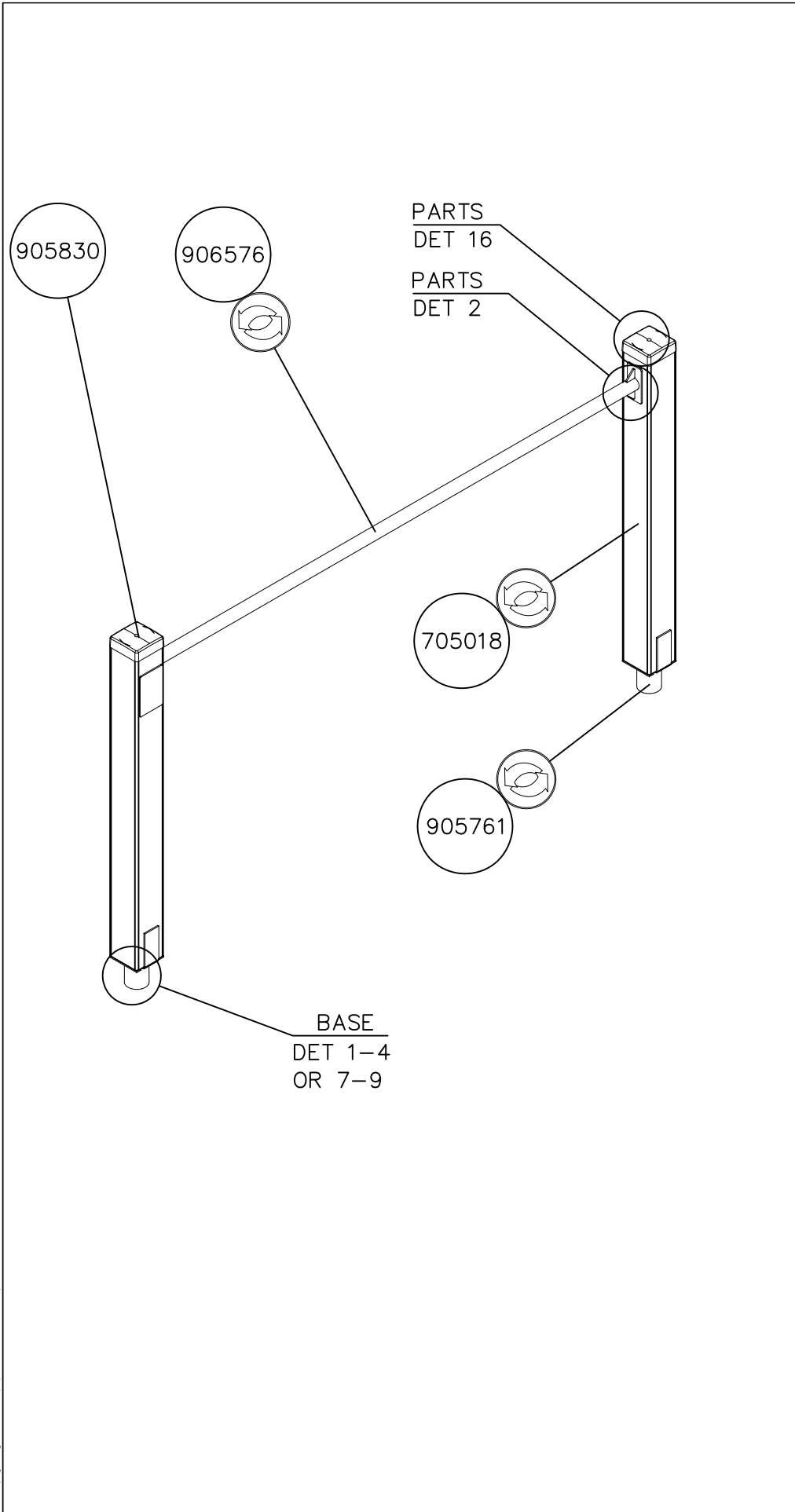
1: 25



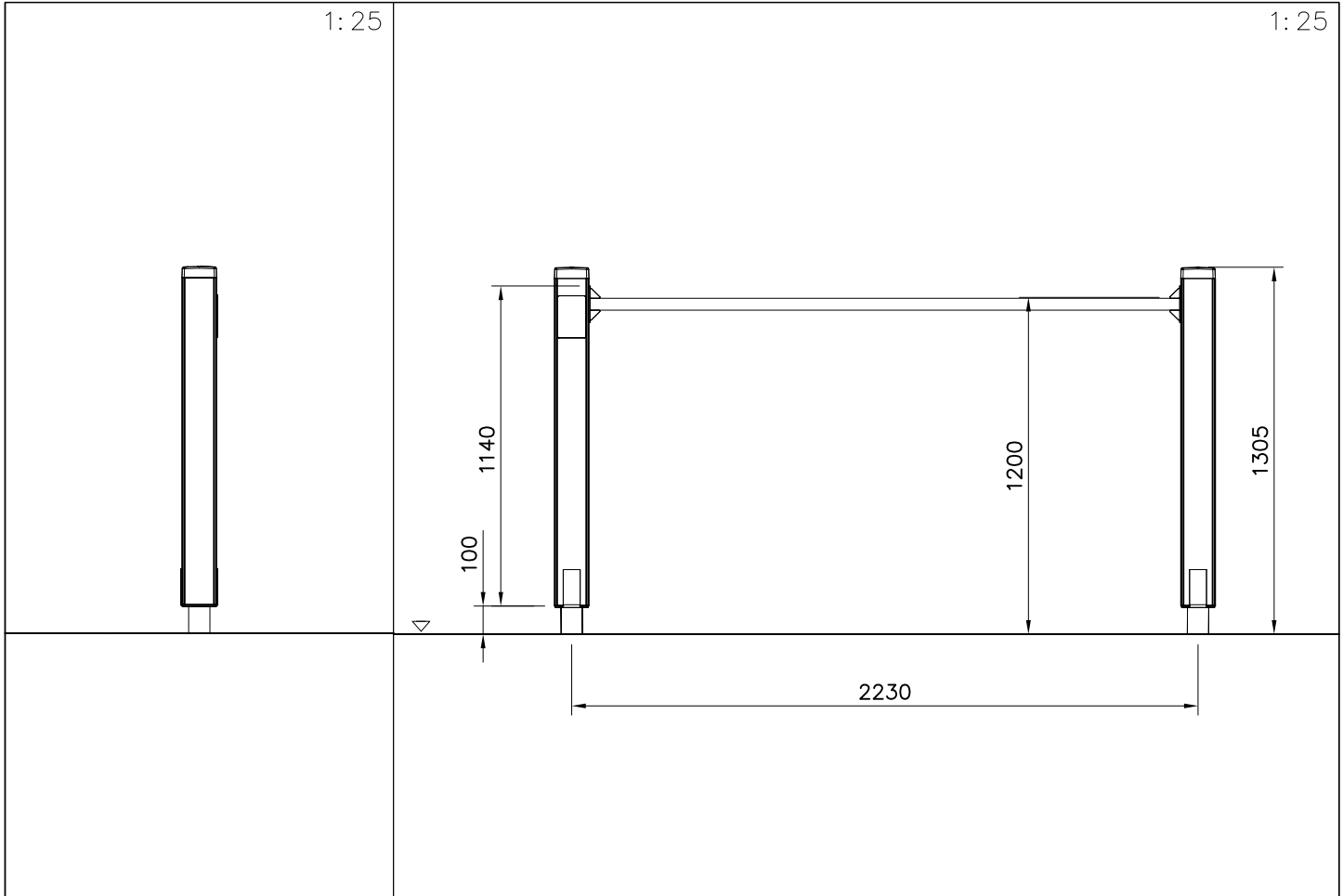
Area of Movement 15.1 m²
Training Space 3.1 m²
Max Falling Height 0 mm

1: 40



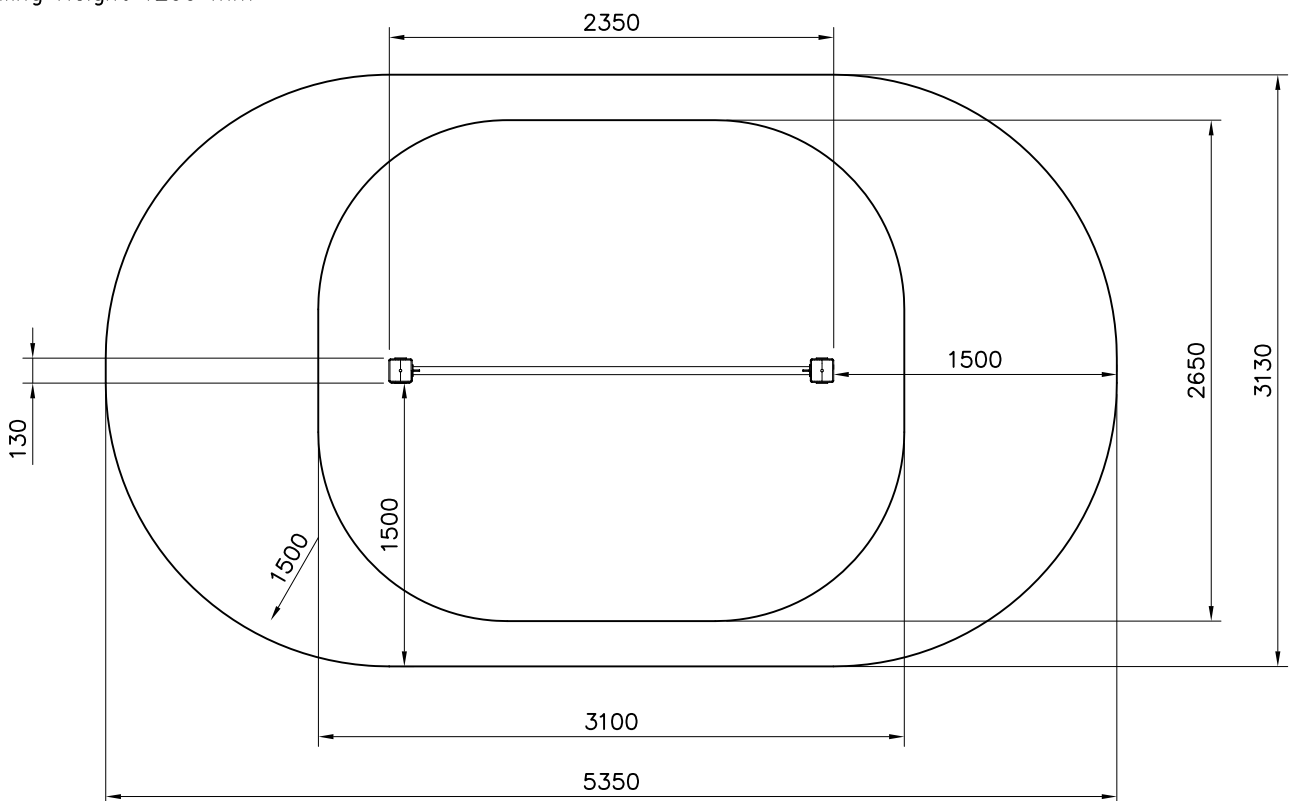


①	706043	PCS	②	705018	PCS
		1			2
				120x120x1170	
③	980123	PCS	④	980114	PCS
		16			4
	Ø7x60			Ø4x20	
⑤	905104	PCS	⑥	905761	PCS
		8			2
	M10			120x120x700	
⑦	905830	PCS	⑧	906576	PCS
		2			1
	123x123x40			1960x130x60	
⑨	980104	PCS	⑩	909256	PCS
		2			16
	Ø5x90			Ø16/8.4	
		PCS			PCS
		PCS			PCS
		PCS			PCS



Area of Movement 14.8 m²
Impact Area 14.8 m²
Training Space 7.4 m²
Max Falling Height 1200 mm

1:40





905830 905838

PARTS
DET 16

PARTS
DET 1

705345

705432

906316

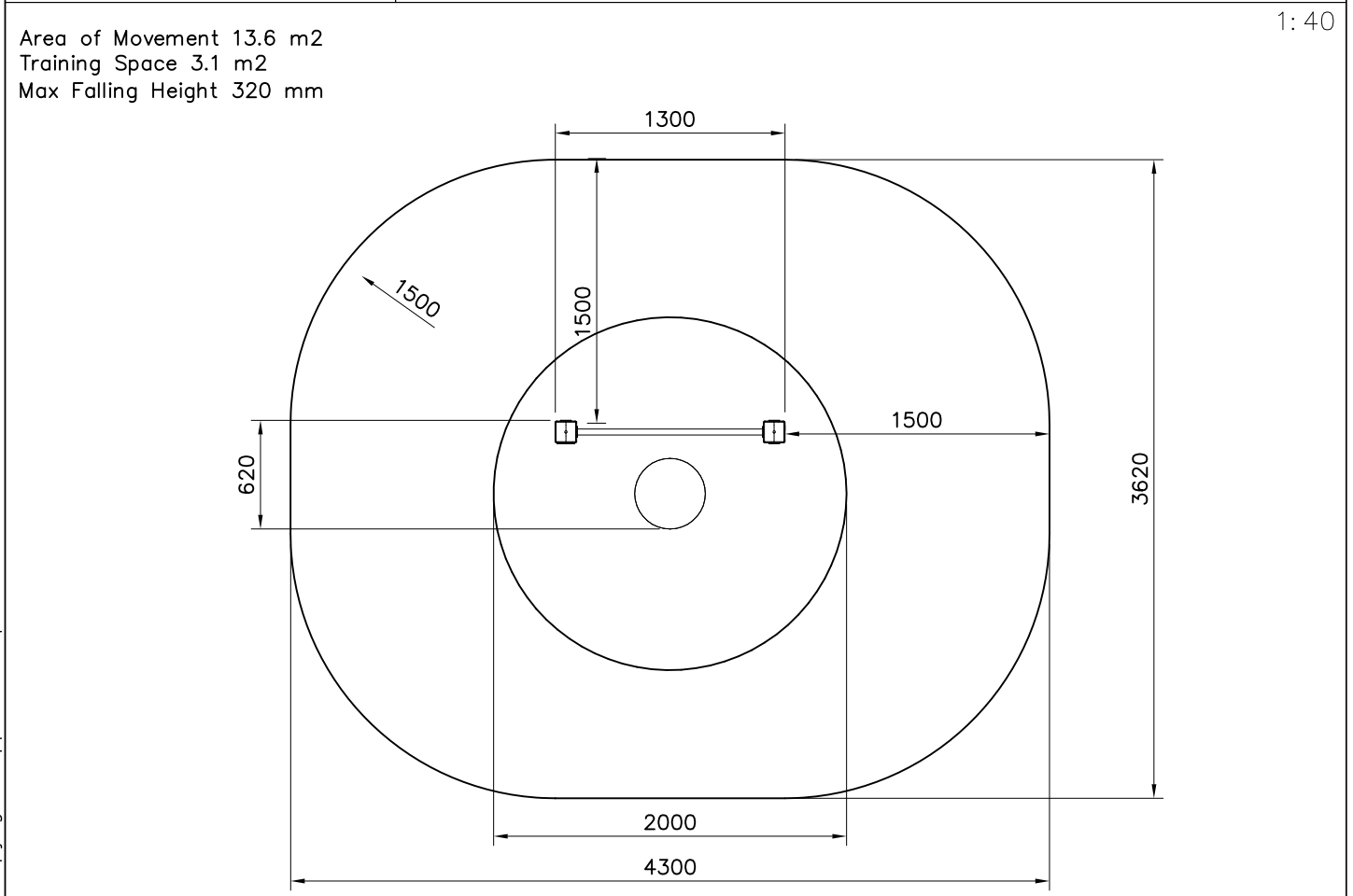
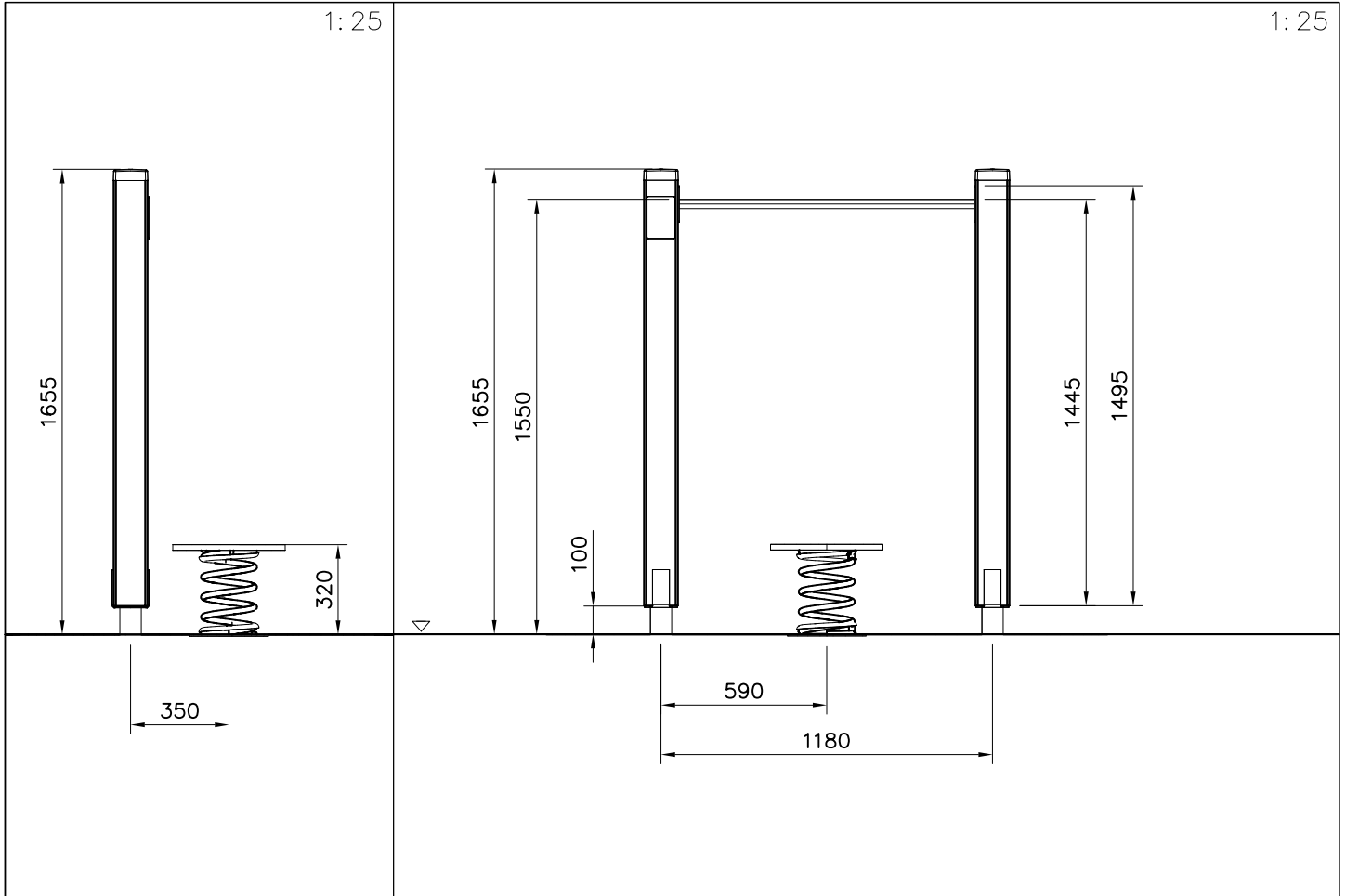
PARTS
DET 19-21

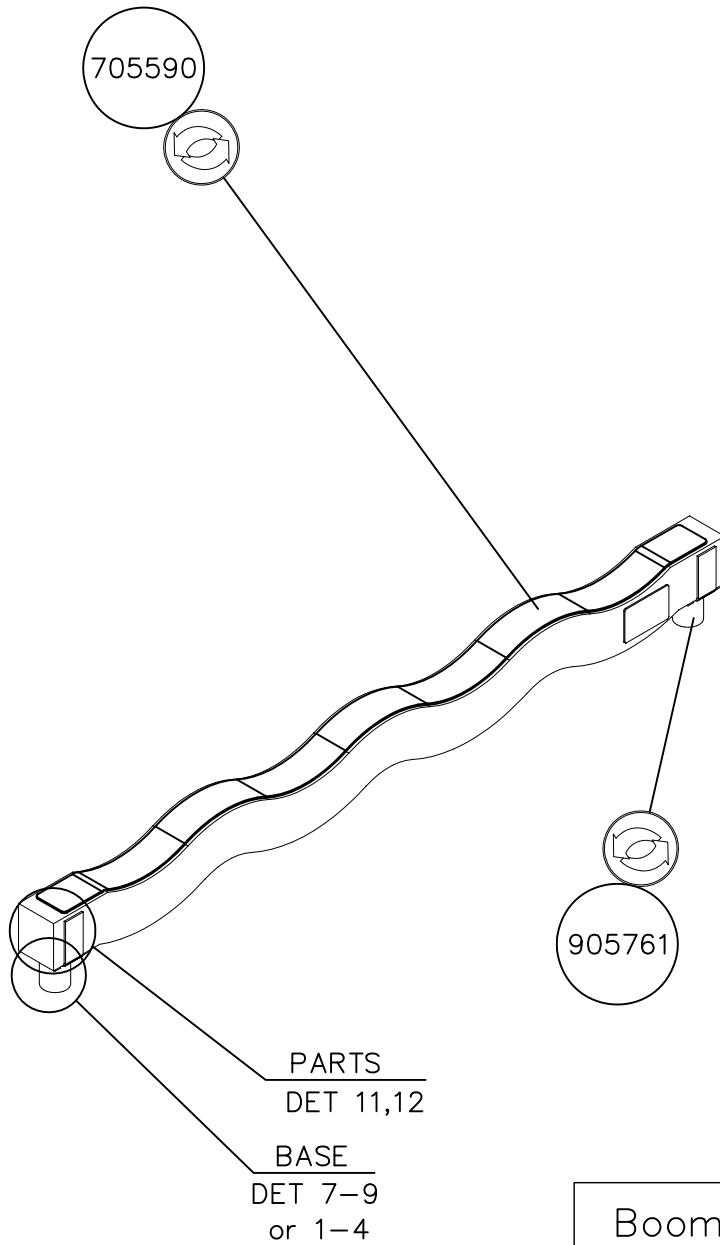
BASE
DET 19-21

BASE
DET 1-4
OR 7-9

905761 705101

①	706045	PCS	1	②	705345	PCS	2
				120x120x1520			
③	705101	PCS	1	④	980114	PCS	4
				Ø4x20			
⑤	905104	PCS	8	⑥	905830	PCS	2
M10				123x123x40			
⑦	905838	PCS	1	⑧	980104	PCS	2
1060 Lime				Ø5x90			
⑨	980123	PCS	16	⑩	905761	PCS	2
Ø7x60				120x120x700			
⑪	705432	PCS	1	⑫	901487	PCS	3
Ø400				M10x40			
⑬	909256	PCS	16	⑭	906316	PCS	1
Ø16/8.4				20x200x300			
				<p>M10x35 (902252)</p> <p>Ø20/10.5x2 (901302)</p> <p>M10 (909637)</p> <p>19x21x25 (903193)</p>		PCS	2

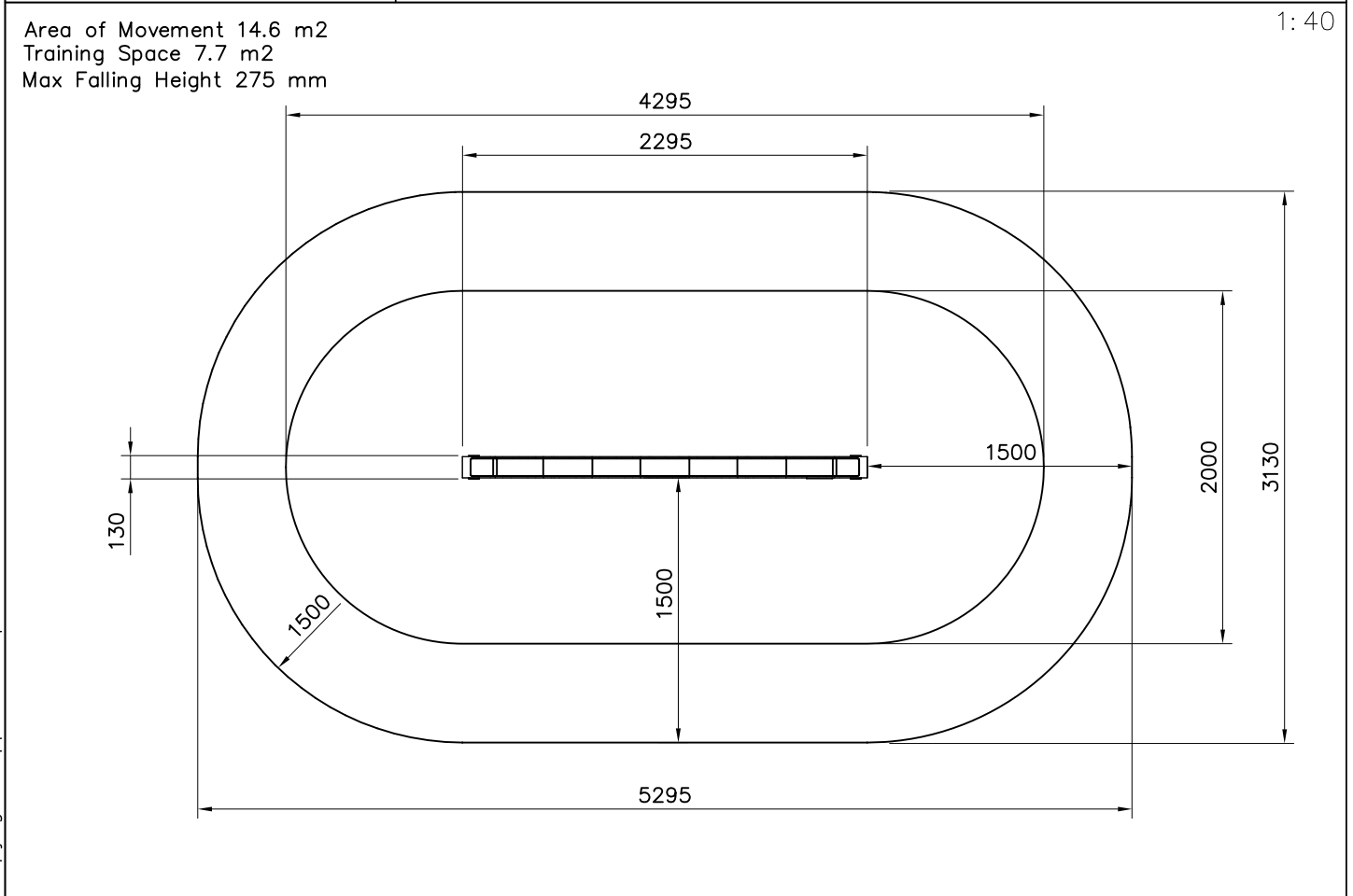
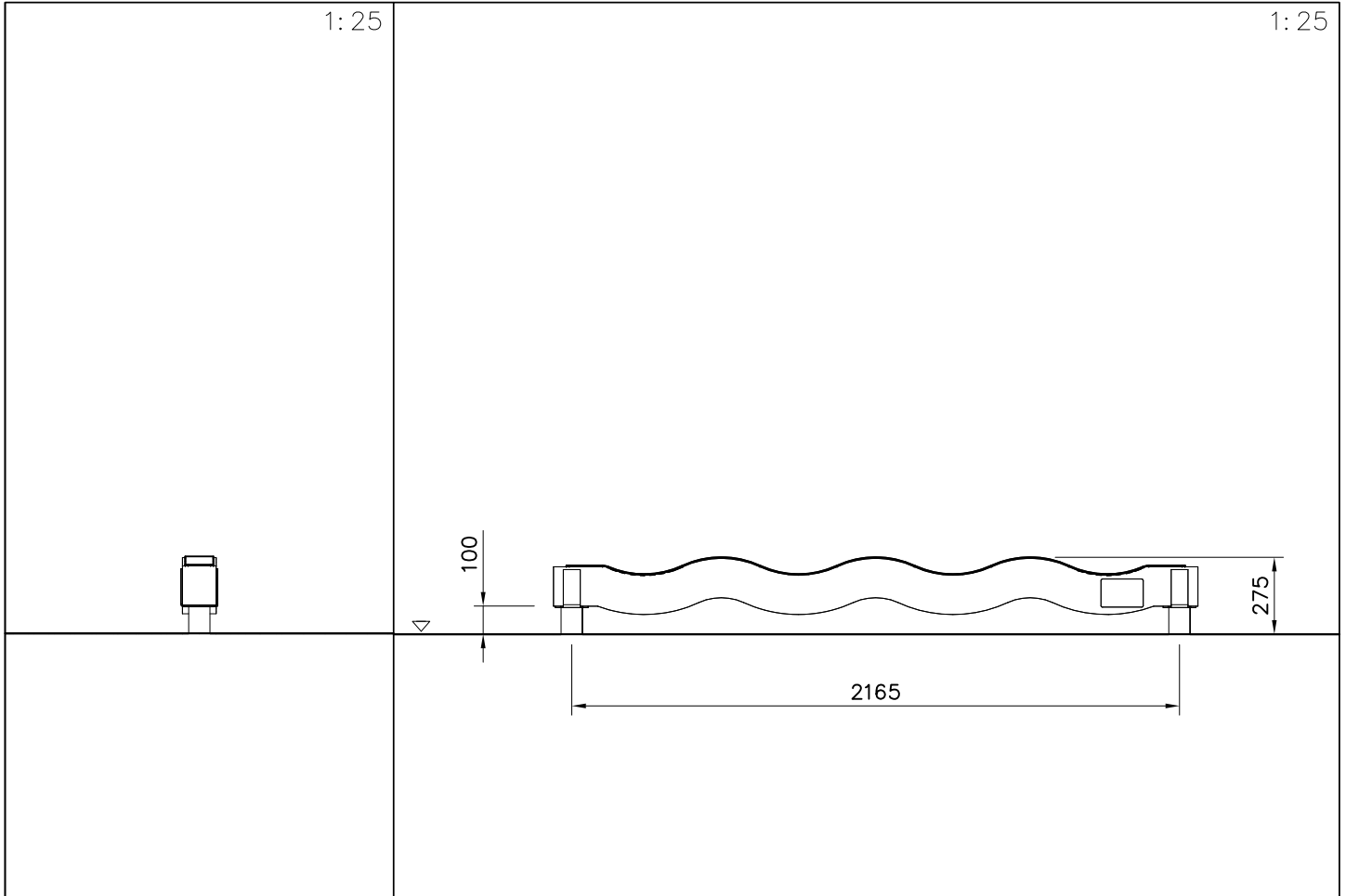




① 706041	PCS	② 705590	PCS
	1		1
		120x200x2294	
③ 980114	PCS	④ 905104	PCS
	4		8
Ø4x20		M10	
⑤ 905761	PCS	⑥ 980123	PCS
	2		8
120x120x700		Ø7x60	
⑦ 909256	PCS		PCS
	8		
Ø16/8.4			
	PCS		PCS
	PCS		PCS

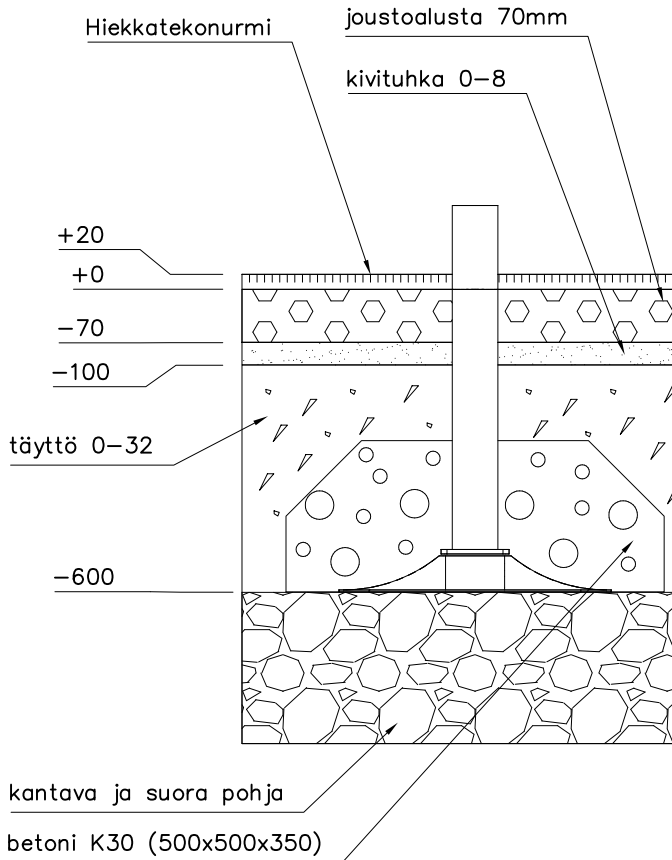
Boom options:

	705590-602	Dark Brown
	705590-603	Light Brown
	705590-604	Gray
120x200x2294		

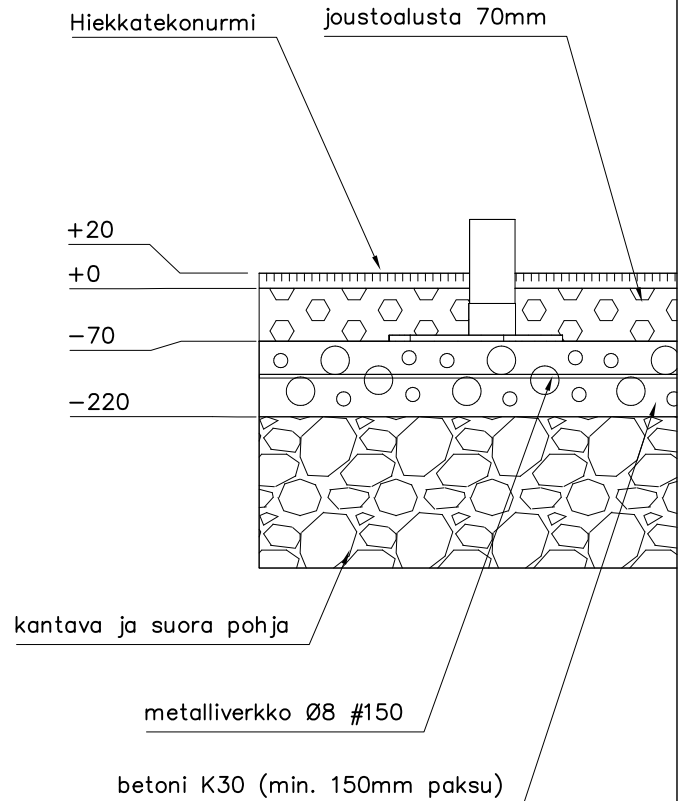


DATE: 29.6.2015

Syväperustus



Pintaperustus



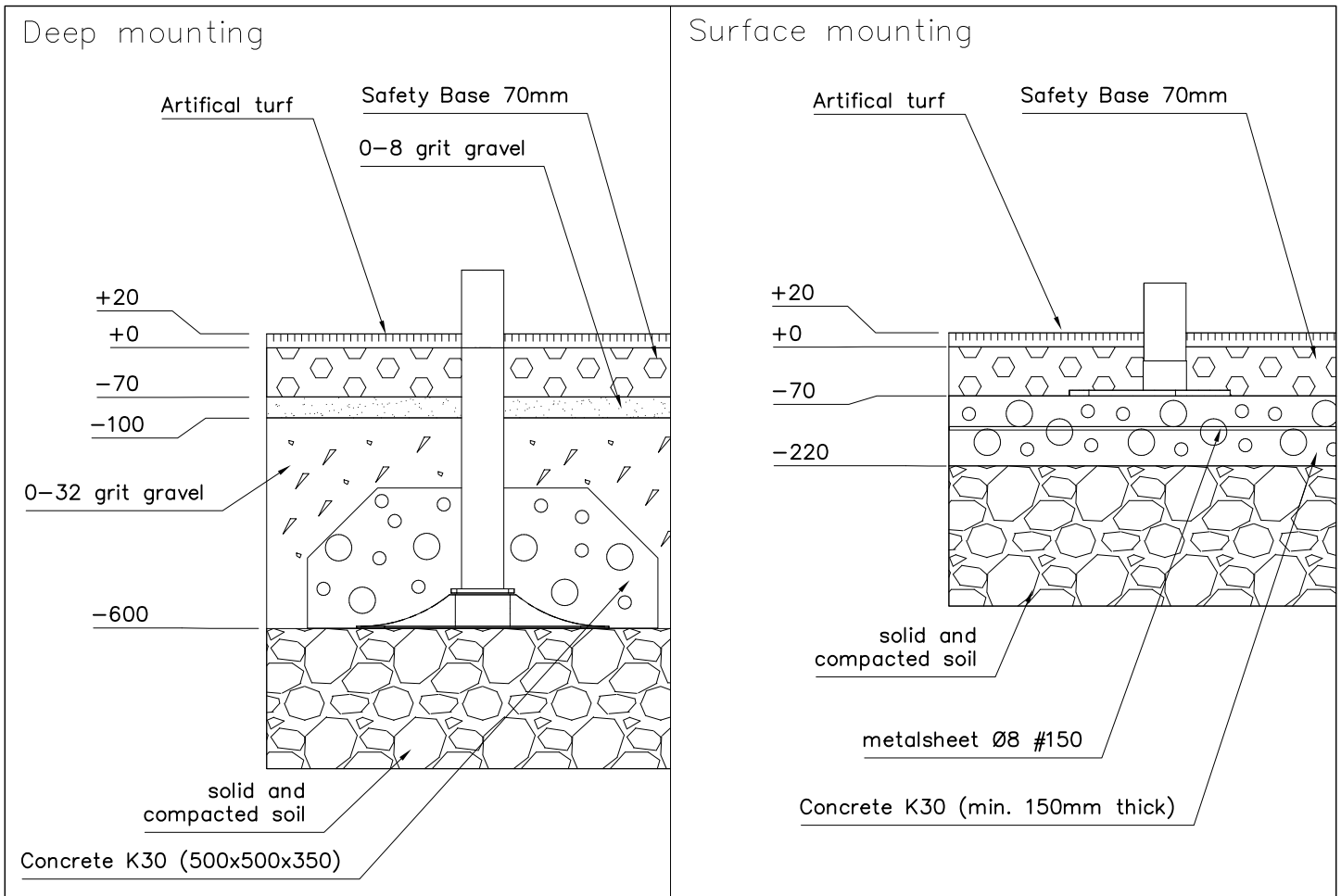
Syväperustus

1. Kaivetaan 600 mm syvä kaivanto pinnan korosta. Jotkin välineet tarvitsevat syvemmän kaivannon (katso tuotteiden asennusohjeet).
Huom! Kantava ja suora perustusten pohja.
2. Asennetaan välineet.
3. Valetaan betonit. Jotkin välineet voivat vaatia isomman valun, katso yksittäisten tuotteiden asennusohjeet.
4. Täytetään 0-32 oikeaan korkoon.
5. Tiivistetään täyttö.
6. Täytetään kivituhkalla (0-8) n.30mm kerros jonka jälkeen tasoitetaan ja tiivistetään hyvin.(+/-10mm/4m oikolauta)
7. Tämän jälkeen asennetaan nurmi (katso asennusohje).

Pintaperustus

1. Kaivetaan 220 mm syvä kaivanto pinnan korosta.
Huom! Kantava ja suora perustusten pohja.
2. Valetaan betonilaatta (min. 150 mm paksu). Koko riippuu kentän koosta (S,M,L).
3. Asennetaan välineet.
4. Asennetaan joustopalat ohjeen mukaisesti (katso asennusohje).
5. Tämän jälkeen asennetaan nurmi (katso asennusohje).

DATE: 29.6.2015



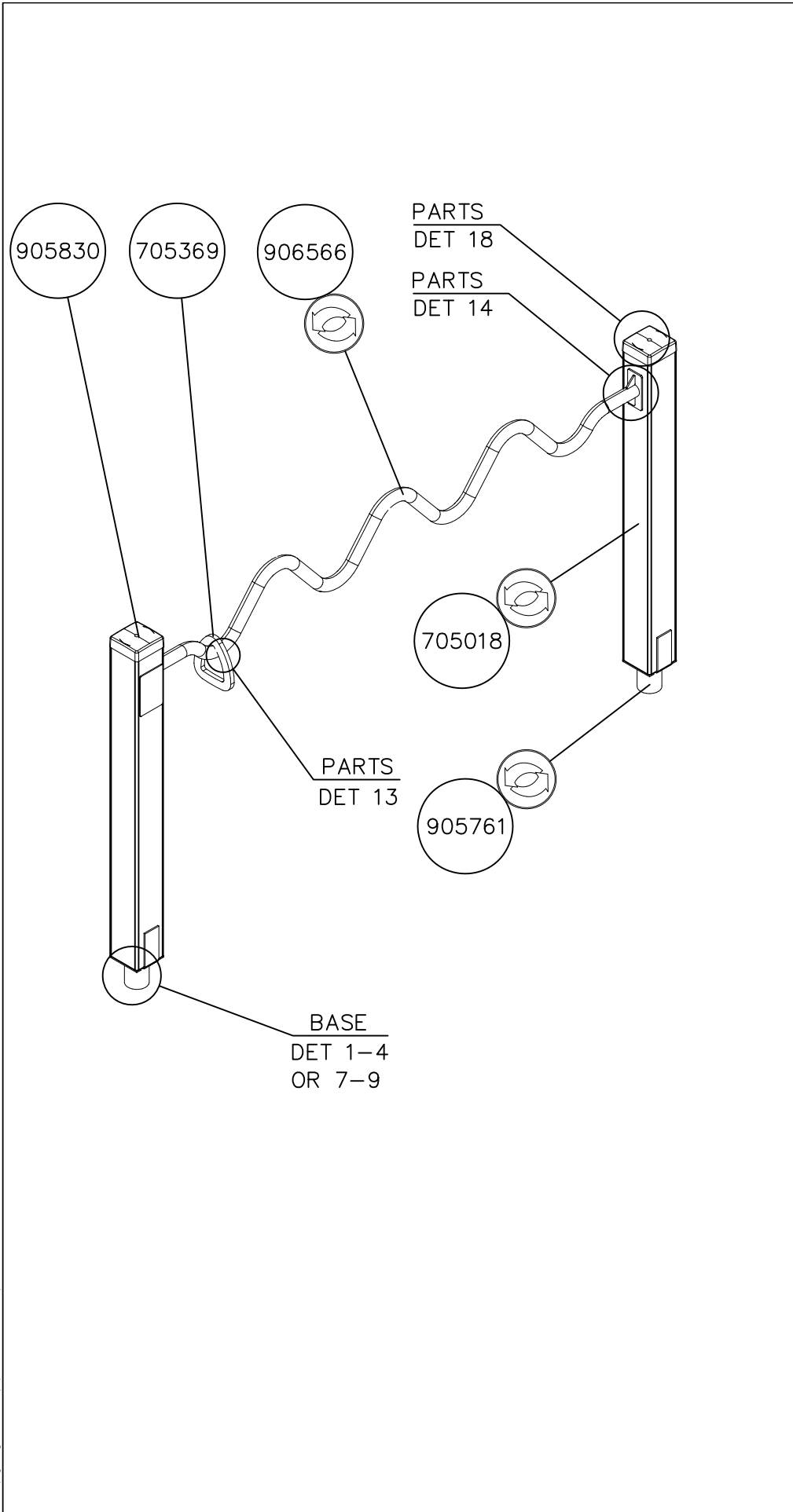
Deep mounting

1. Start by digging 600 mm deep excavation. Some equipment may need more depth, see assembly instructions for individual equipment.
2. Assemble the equipment according to assembly instructions.
3. Make concrete blocks. Some equipment may need bigger block, see assembly instructions.
4. Fill with 0-32 grit to correct level.
5. Compact the layer.
6. Spread 30 mm thick layer using grit 0-8 gravel. Compact and level it thoroughly. (+/-10mm/4m)
7. Assemble the safety base according to assembly instructions.
8. Assemble the turf according to assembly instructions.

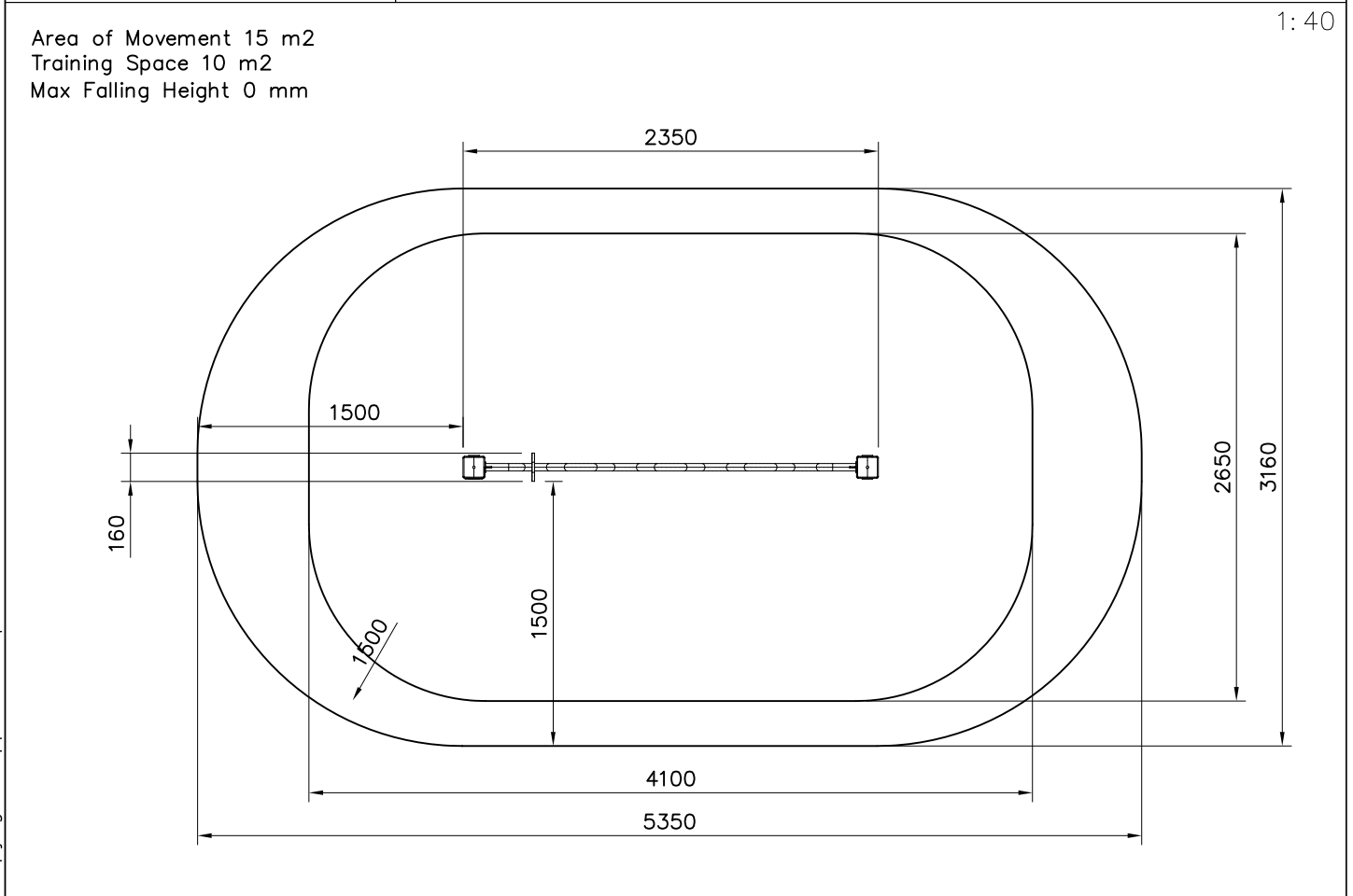
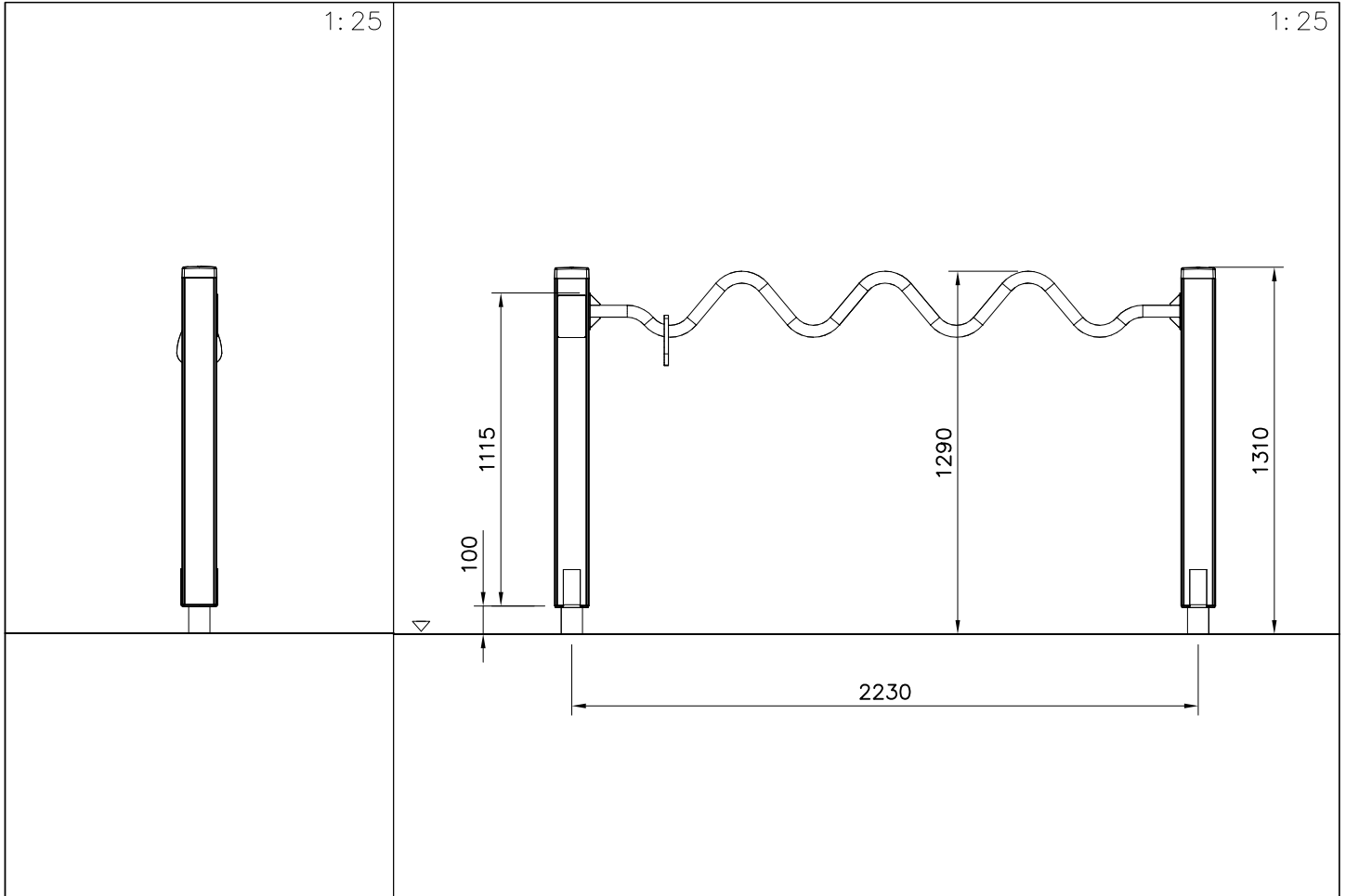
NOTE: Also the soil below the starting level (-600) needs to be solid and compact.

Surface mounting

1. Start by digging 220 mm deep excavation.
2. Make concrete plate, see illustration (min. 150 mm thick). Size depends on the size of the Parkour field (S,M,L).
3. Assemble the equipment according to assembly instructions.
4. Assemble the safety base according to assembly instructions.
5. Assemble the turf according to assembly instructions.

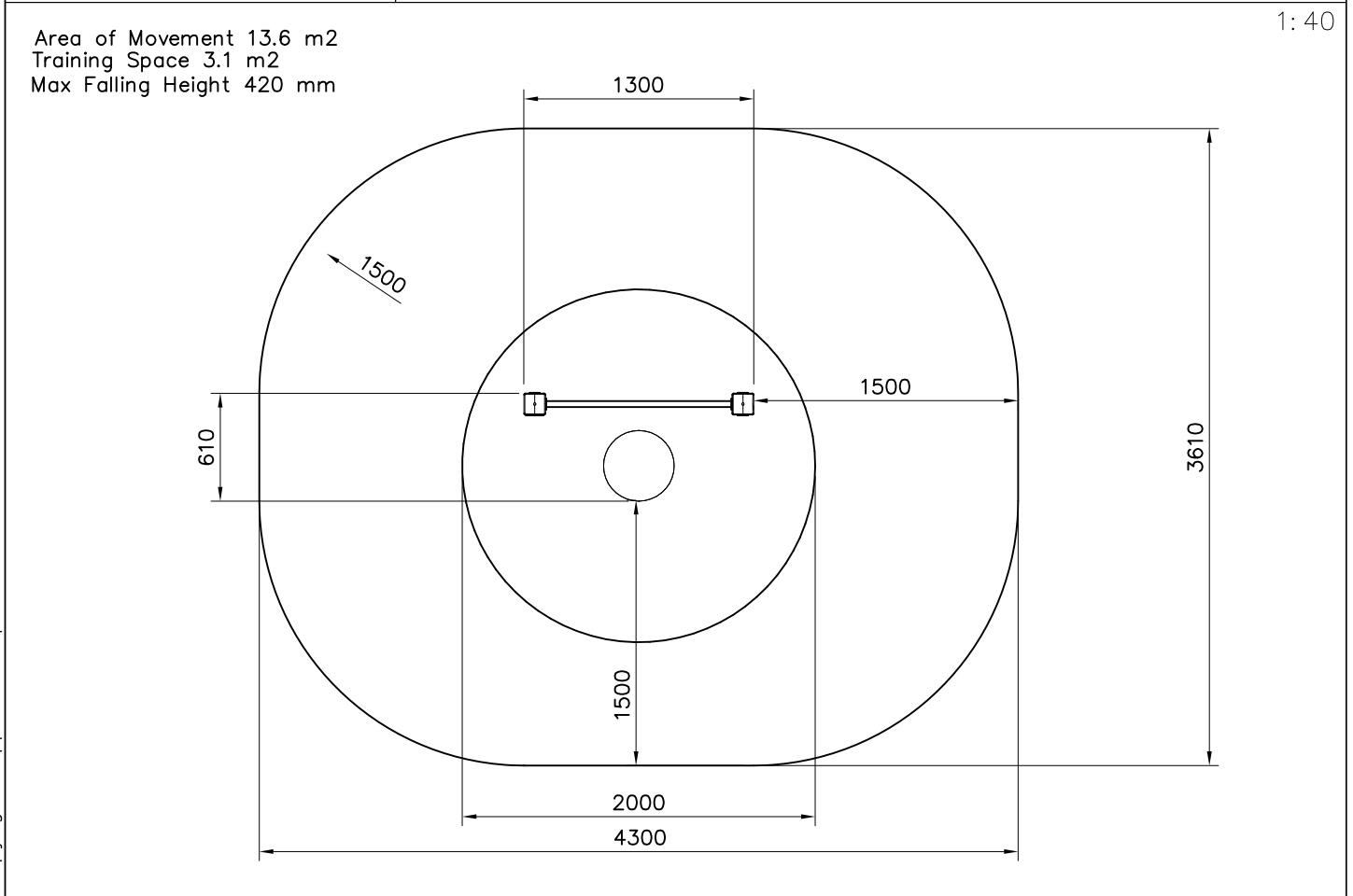
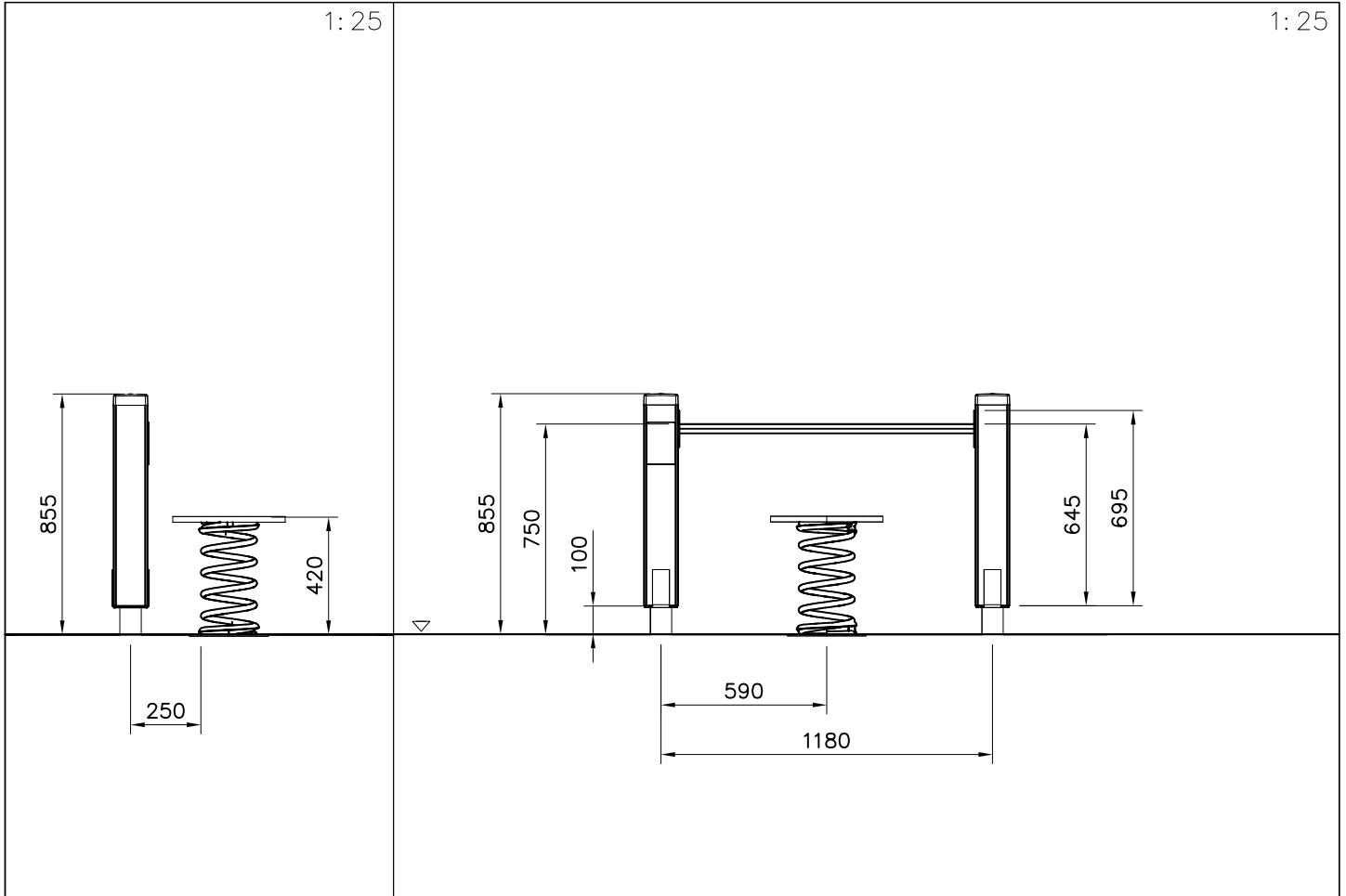


①	706040	PCS	②	705018	PCS
		1			2
				120x120x1170	
③	705369	PCS	④	980114	PCS
		1			4
				Ø4x20	
⑤	905104	PCS	⑥	905761	PCS
		8			2
	M10			120x120x700	
⑦	905830	PCS	⑧	906566	PCS
		2			1
	123x123x40			1960x235x60	
⑨	980104	PCS	⑩	980123	PCS
		2			16
	Ø5x90			Ø7x60	
⑪	909256	PCS			PCS
		16			
	Ø16/8.4				
		PCS			PCS
		PCS			PCS





①	706044	PCS	②	705329	PCS
		1			2
				120x120x720	
③	705101	PCS	④	980114	PCS
		1			4
				Ø4x20	
⑤	905104	PCS	⑥	905830	PCS
		8			2
	M10			123x123x40	
⑦	905838	PCS	⑧	980104	PCS
		1			2
	1060 Lime			Ø5x90	
⑨	980123	PCS	⑩	905761	PCS
		16			2
	Ø7x60			120x120x700	
⑪	705432	PCS	⑫	901487	PCS
		1			3
	Ø400			M10x40	
⑬	909256	PCS	⑭	903192	PCS
		16			1
	Ø16/8.4			20x200x400	
⑮	903191	PCS			2
				M10x35 (902252)	
				Ø20/10.5x2 (901302)	
				M10 (909637)	
				19x21x25 (903193)	



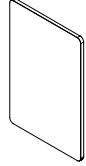

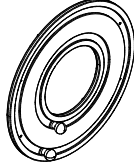

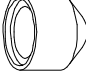
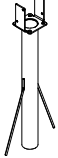
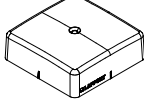
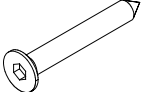


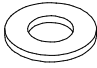


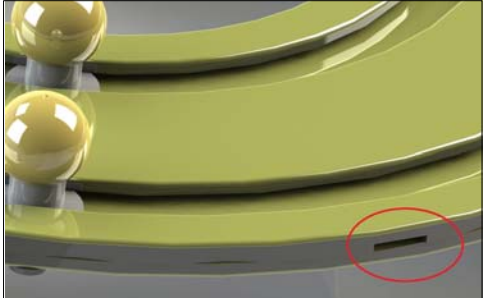
PARTS
DET 16

PARTS
DET 35

Note:
Huom!

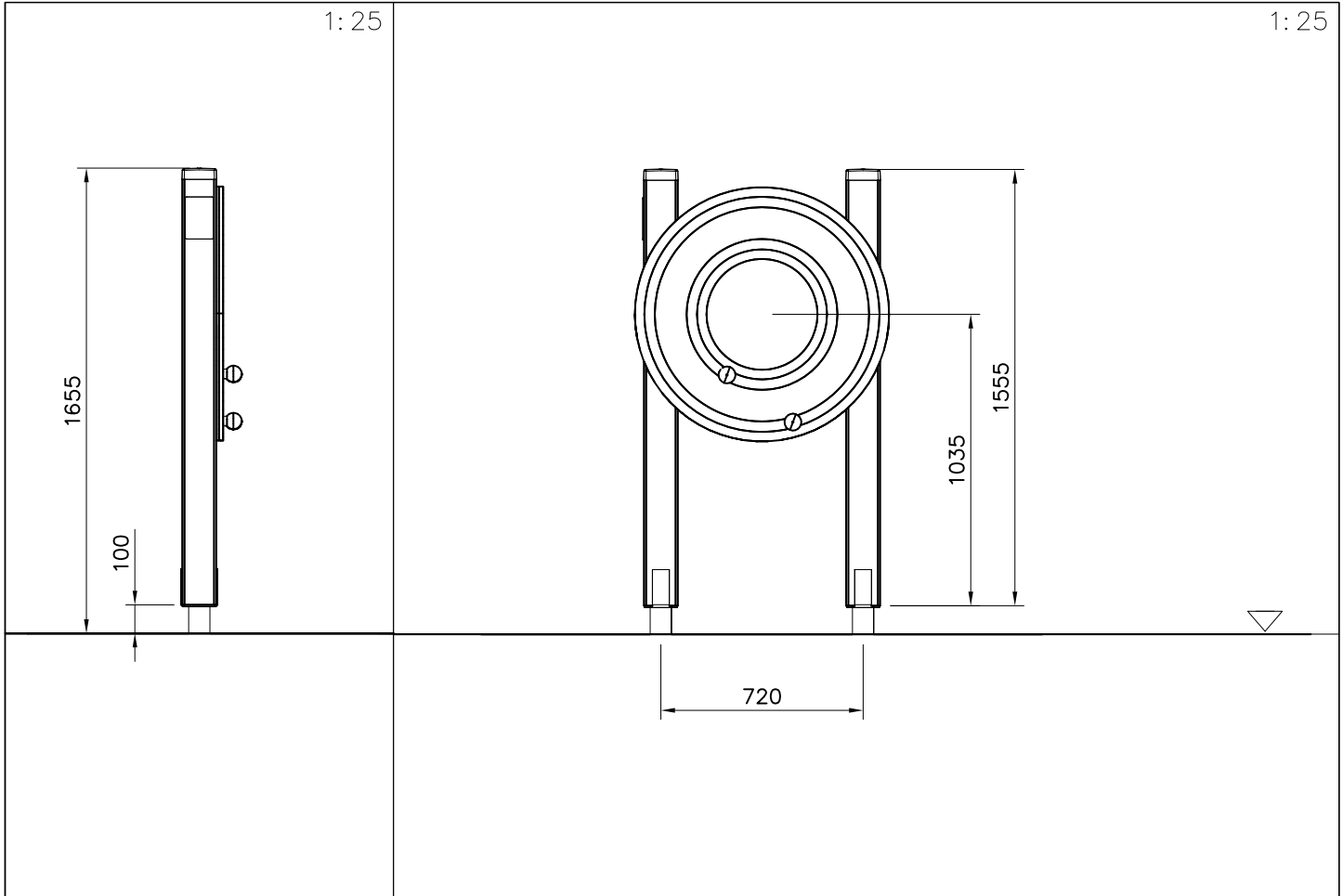
BASE
DET 1-4
or 7-9

①	706049	PCS	②	705345	PCS
		1			2
				120x120x1520	
③	705520	PCS	④	980114	PCS
		1			4
				Ø4x20	
⑤	905104	PCS	⑥	905761	PCS
		8			2
	M10			120x120x700	
⑦	905830	PCS	⑧	906630	PCS
		2			4
	123x123x40			Ø8x60	
⑨	980104	PCS	⑩	980123	PCS
		2			8
	Ø5x90			Ø7x60	
⑪	909256	PCS			PCS
		8			
	Ø16/8.4				



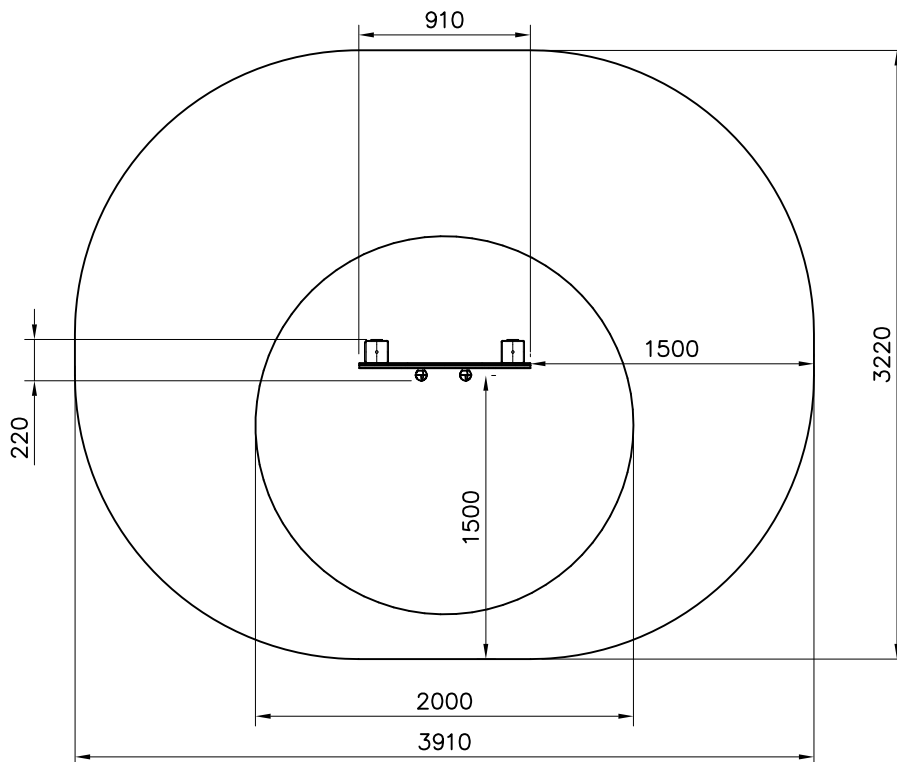
Note:
Water hole.

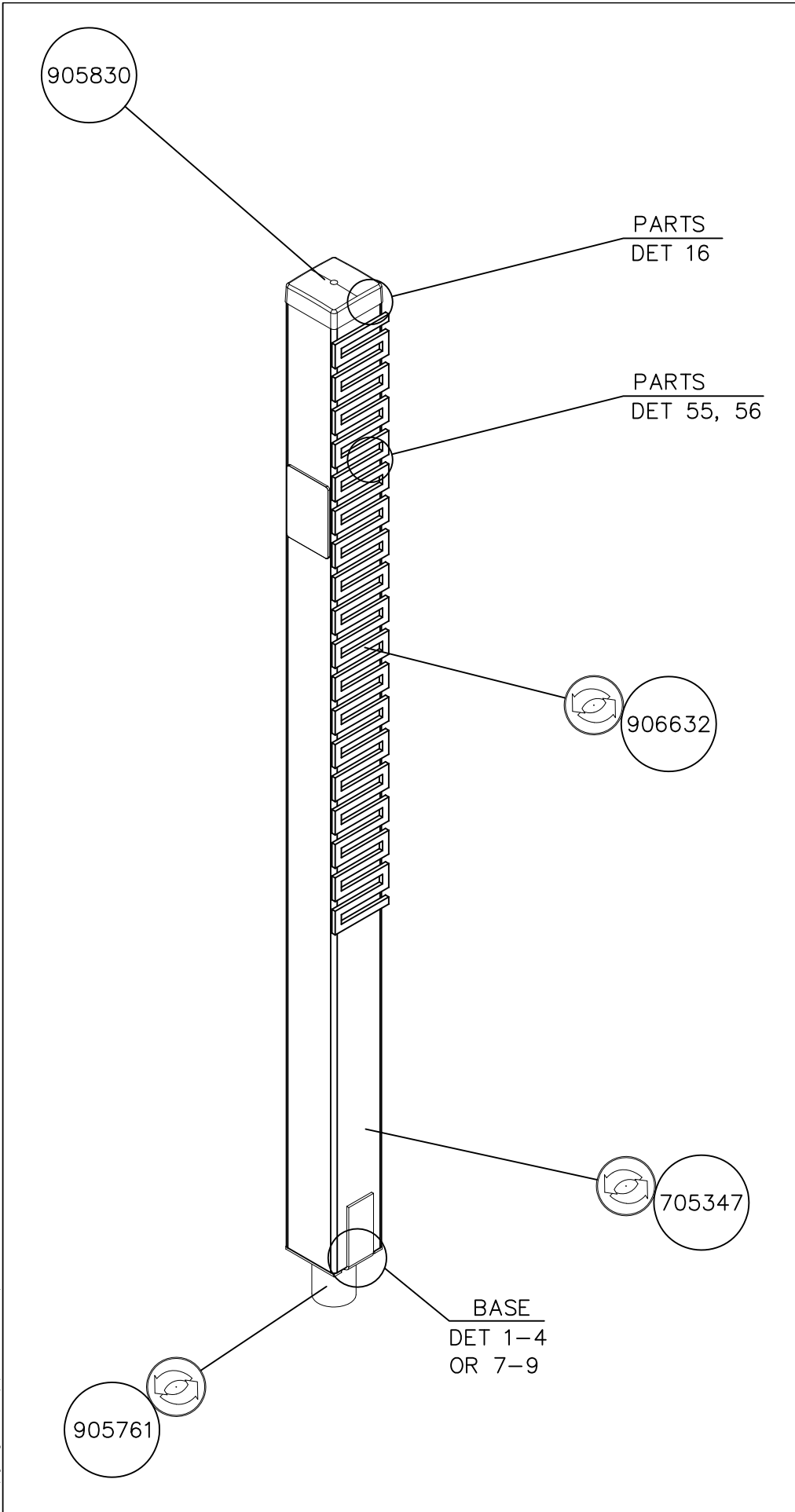
Huom!
Vesireikä



Area of Movement 10.7 m²
Training Space 3.1 m²
Max Falling Height 0 mm

1:40

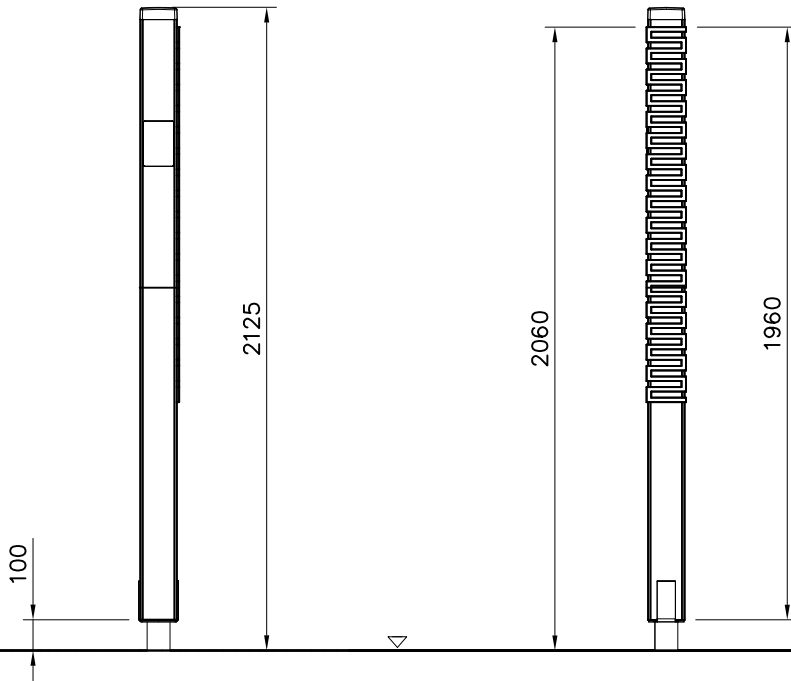




①	706047	PCS	②	906632	PCS
		1			1
③	705347	PCS	④	980123	PCS
		1			4
				Ø7x60	
⑤	980114	PCS	⑥	905104	PCS
		4			4
	Ø4x20			M10	
⑦	905761	PCS	⑧	905830	PCS
		1			1
	120x120x700			123x123x40	
⑨	980104	PCS	⑩	980131	PCS
		1			7
	Ø5x90			Ø6x60	
⑪	909256	PCS			PCS
		4			
	Ø16/8.4				
		PCS			PCS
		PCS			PCS

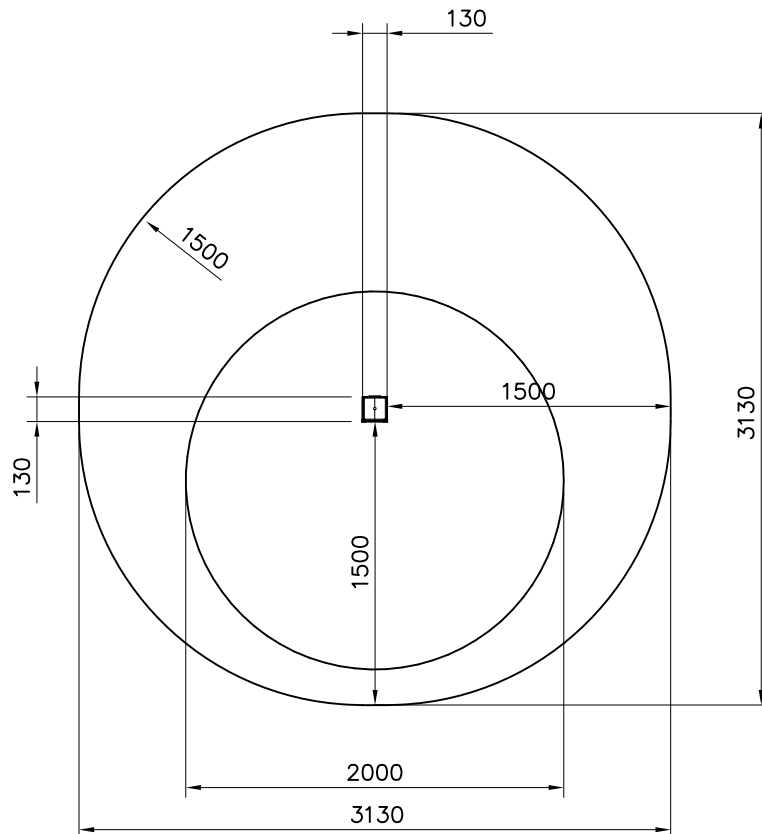


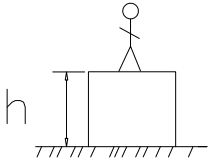



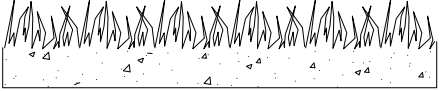
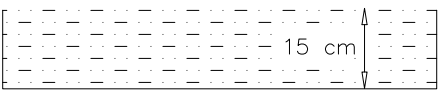
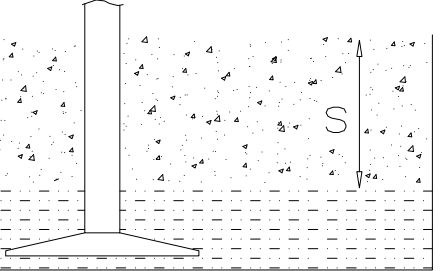
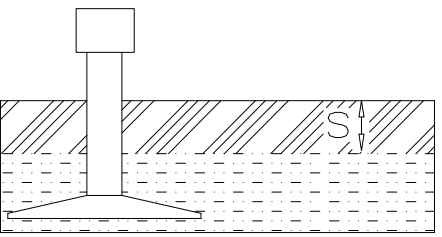
1: 25



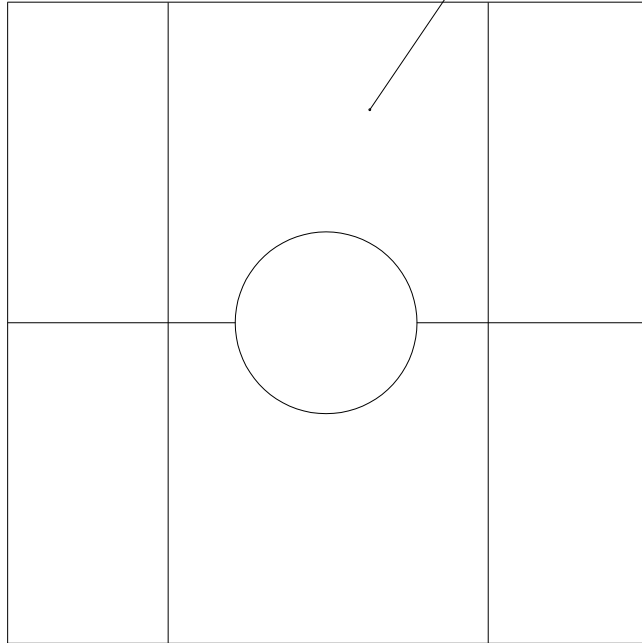
Area of Movement 7.9 m²
Training Space 3.1 m²
Max Falling Height 0 mm

1: 40

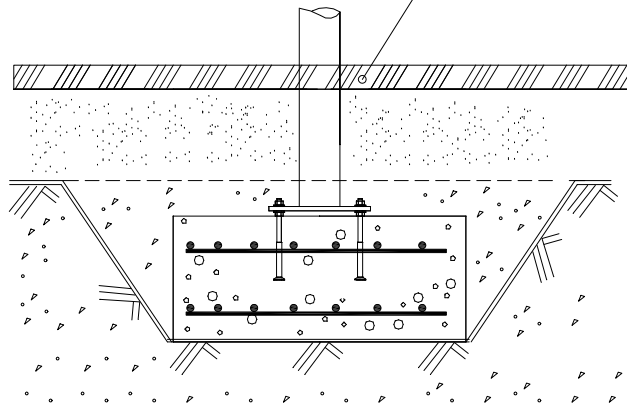


												
<p>$h < 600$</p> <p>Without movement and therefore without Impact Area</p>	<p>Totally hard surfaces.</p> <p>Note. Lappset does <u>not recommend</u> totally hard surfaces at all.</p>	<p>E.g. concrete or asphalt</p> 										
<p>$h < 600$</p> <p>With movement e.g. rocking</p>	<p>Materials with very limited impact attenuating properties.</p>	<p>E.g. wood</p> 										
<p>$h < 1000$</p>	<p>Materials with significant impact attenuating properties.</p>	<p>fine gravel 0–8 mm</p>  <p>grass</p>  <p>unsorted sand</p> 										
<p>$h < 3000$</p>	<p>Loose fill material</p> <p>E.g. sand/gravel 0,25...8 mm D60/D10<3,0 Woodchips 5...30 mm bark 20...80 mm</p>	 <table data-bbox="1021 1691 1332 1792"> <tr> <td>\underline{S}</td> <td>\underline{h}</td> </tr> <tr> <td>30 cm</td> <td>< 2,0 m</td> </tr> <tr> <td>40 cm</td> <td>< 3,0 m</td> </tr> </table>	\underline{S}	\underline{h}	30 cm	< 2,0 m	40 cm	< 3,0 m				
\underline{S}	\underline{h}											
30 cm	< 2,0 m											
40 cm	< 3,0 m											
	<p>Syntethic granulates</p> <table data-bbox="406 1892 758 2060"> <tr> <td>\underline{S}</td> <td>\underline{h}</td> </tr> <tr> <td>40 mm</td> <td>~> 1,2...1,3 m</td> </tr> <tr> <td>50 mm</td> <td>~> 1,5...1,7 m</td> </tr> <tr> <td>60 mm</td> <td>~> 1,8...2,0 m</td> </tr> <tr> <td>70 mm</td> <td>~> 2,1...2,5 m</td> </tr> </table> <p>Note. For accurate values, see manufacturer's instructions.</p>	\underline{S}	\underline{h}	40 mm	~> 1,2...1,3 m	50 mm	~> 1,5...1,7 m	60 mm	~> 1,8...2,0 m	70 mm	~> 2,1...2,5 m	
\underline{S}	\underline{h}											
40 mm	~> 1,2...1,3 m											
50 mm	~> 1,5...1,7 m											
60 mm	~> 1,8...2,0 m											
70 mm	~> 2,1...2,5 m											

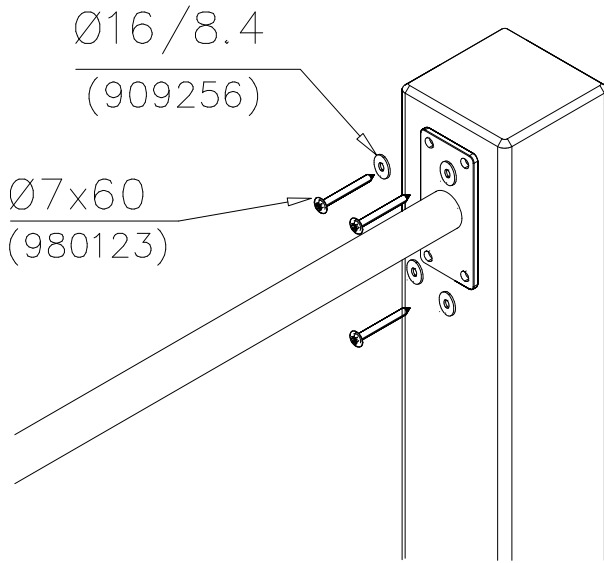
REMOVE SAFETY SURFACE/SAND/GRAVEL
TO CHECK FOUNDATION



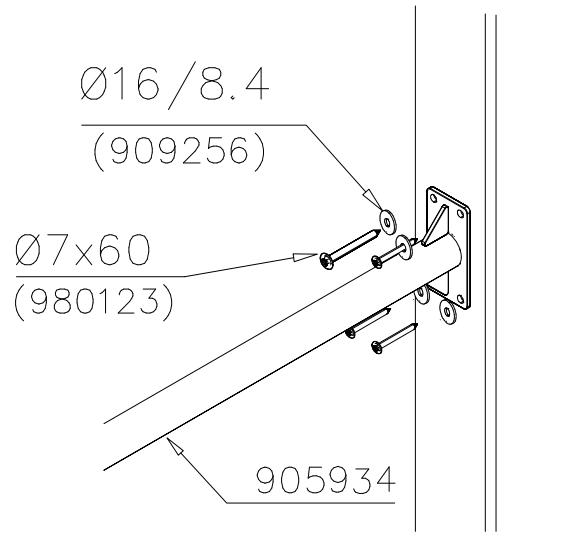
REMOVE SAFETY SURFACE/SAND/GRAVEL
TO CHECK FOUNDATION



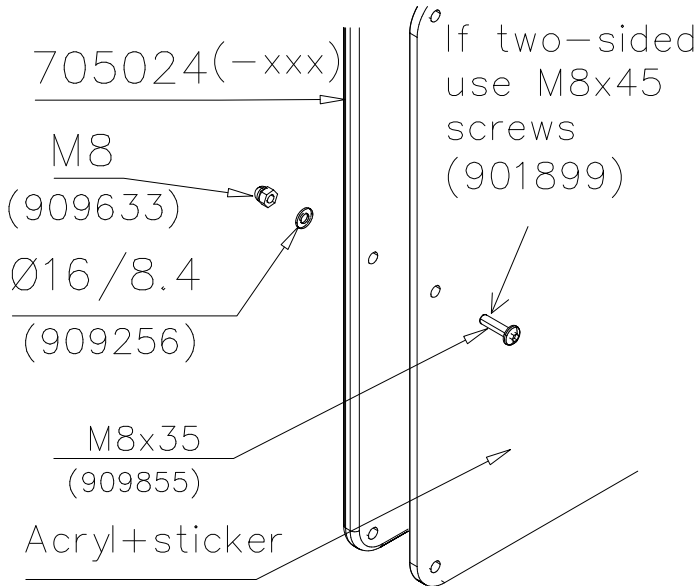
DET 1



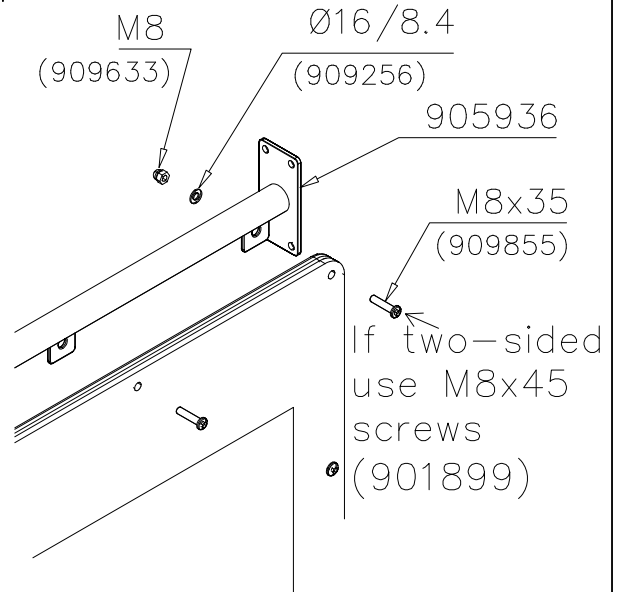
DET 2



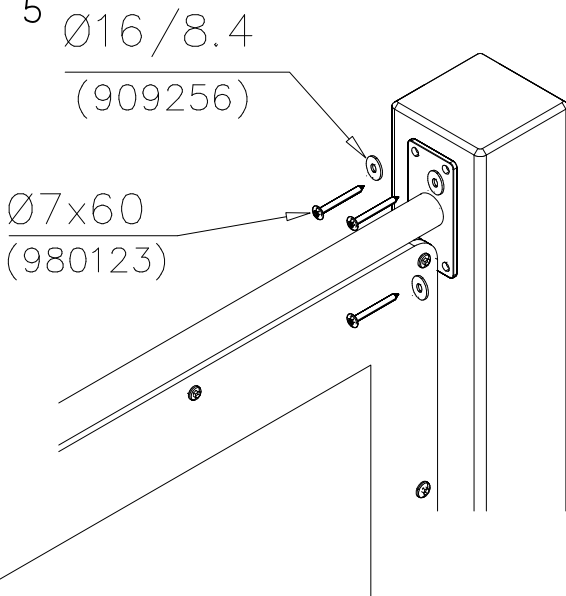
DET 3



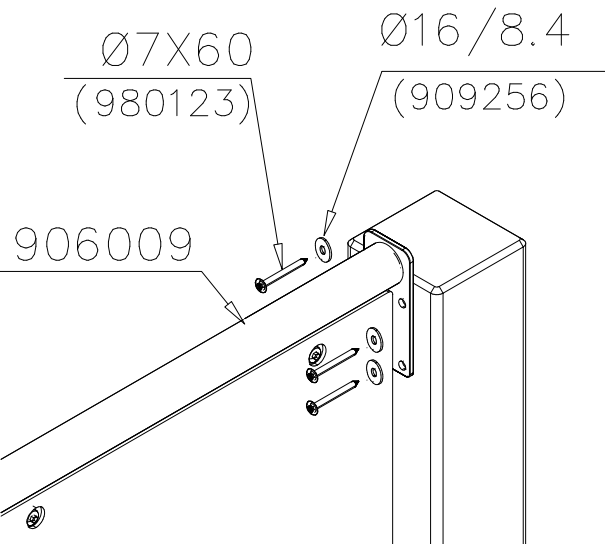
DET 4

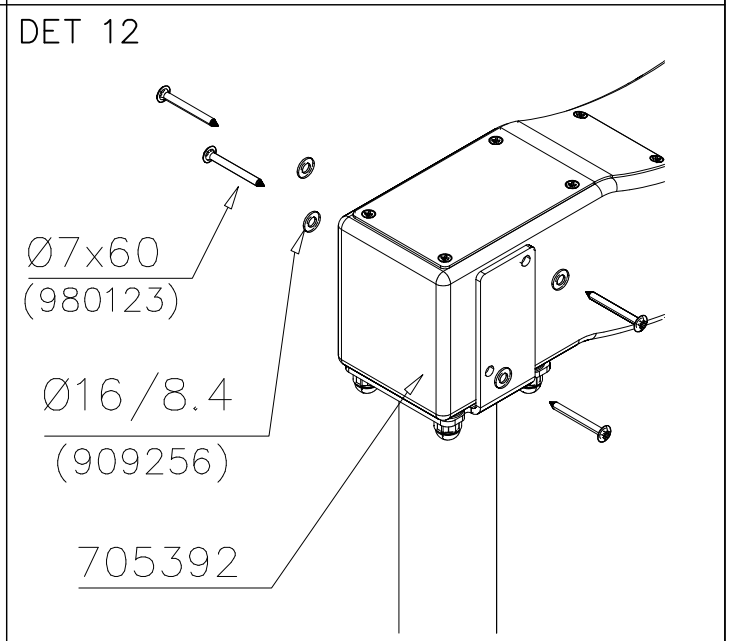
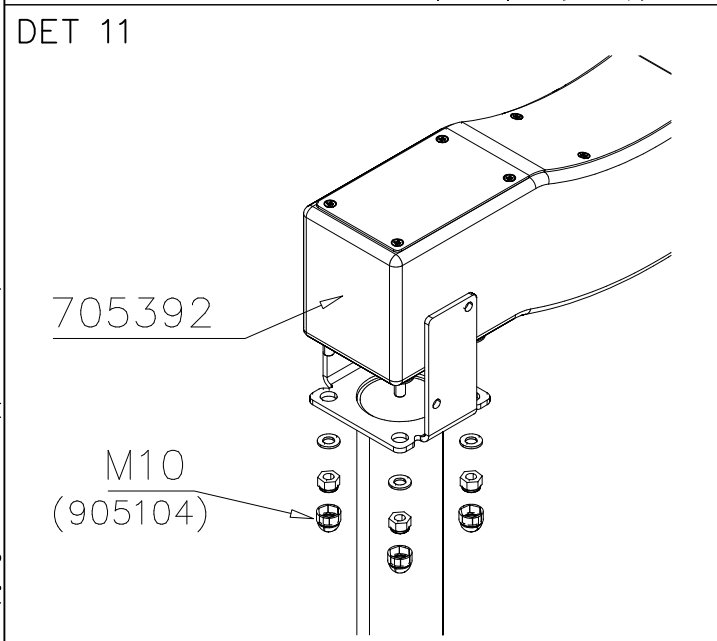
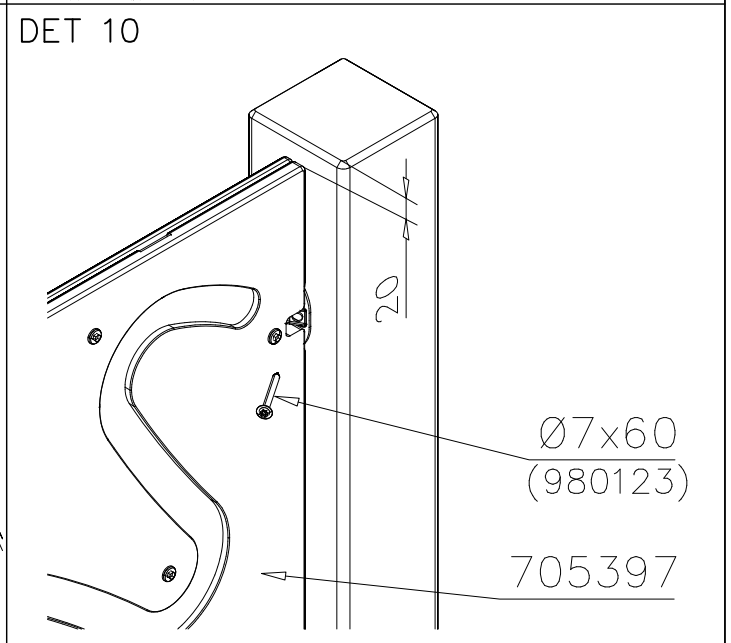
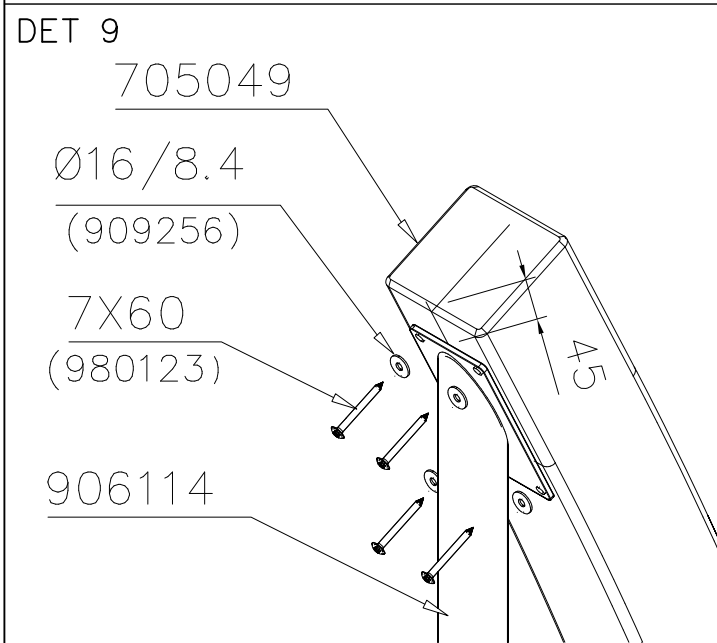
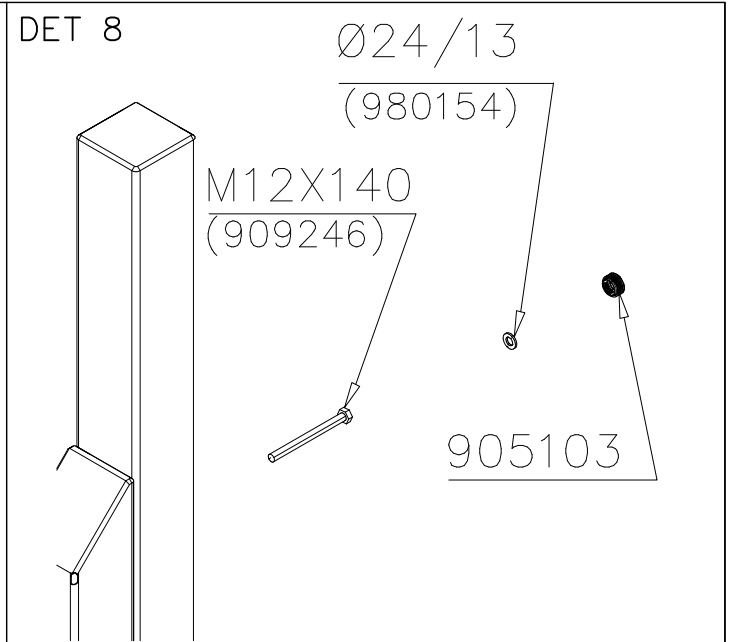
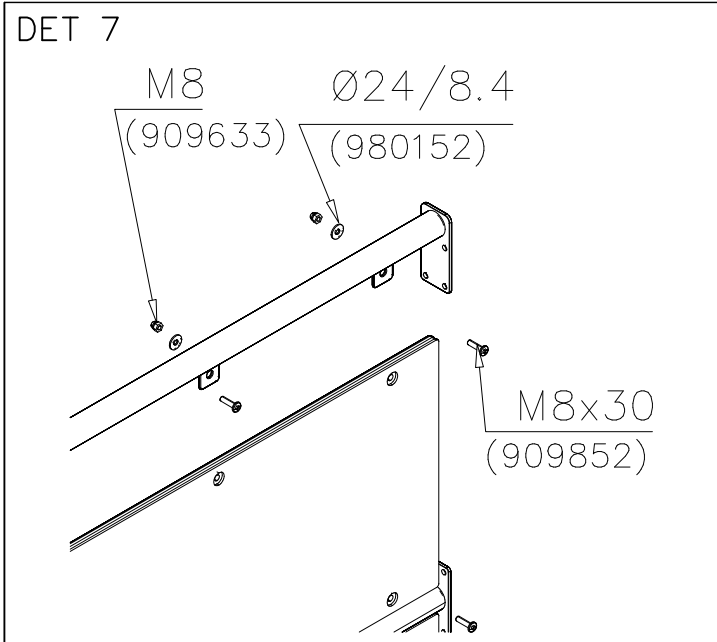


DET 5

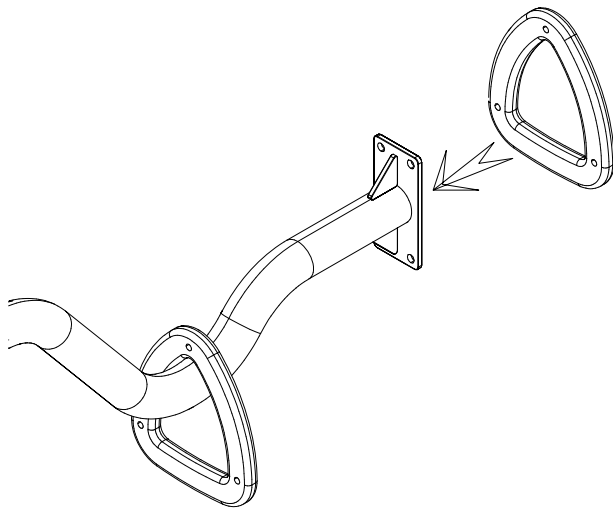


DET 6

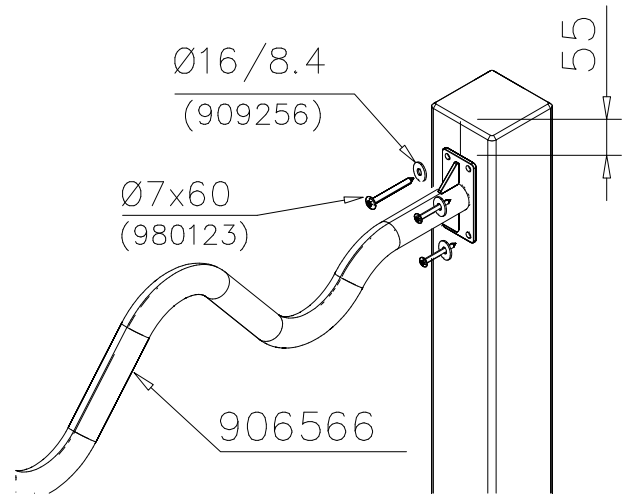




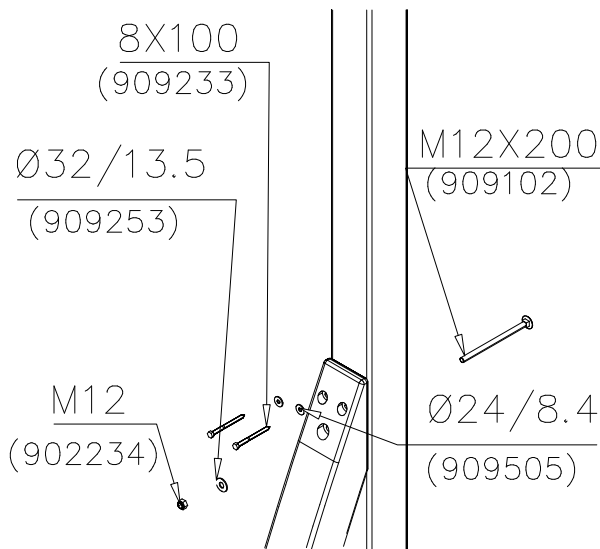
DET 13



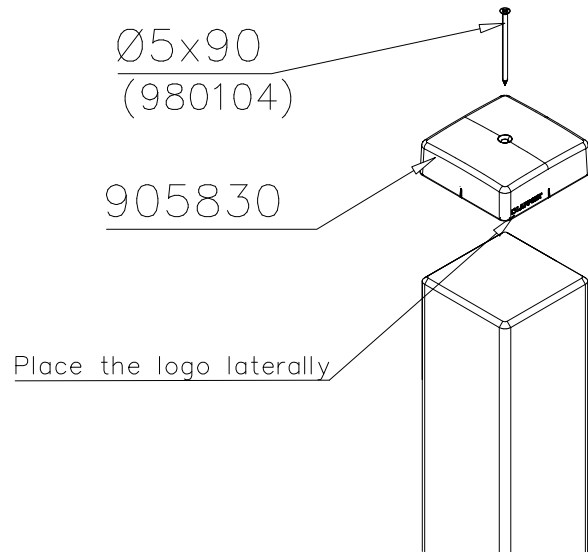
DET 14



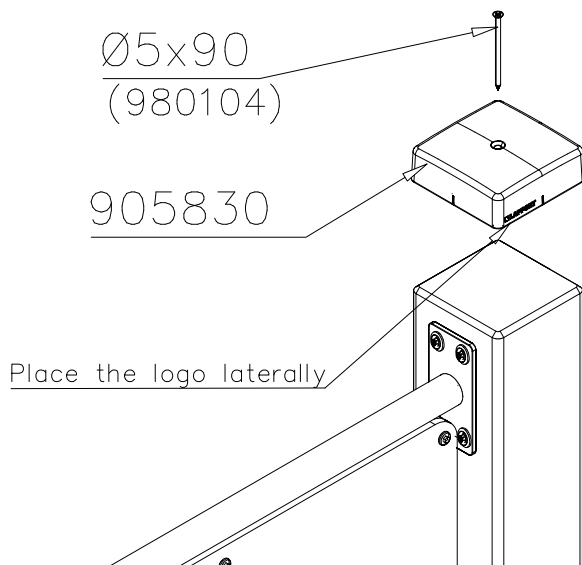
DET 15



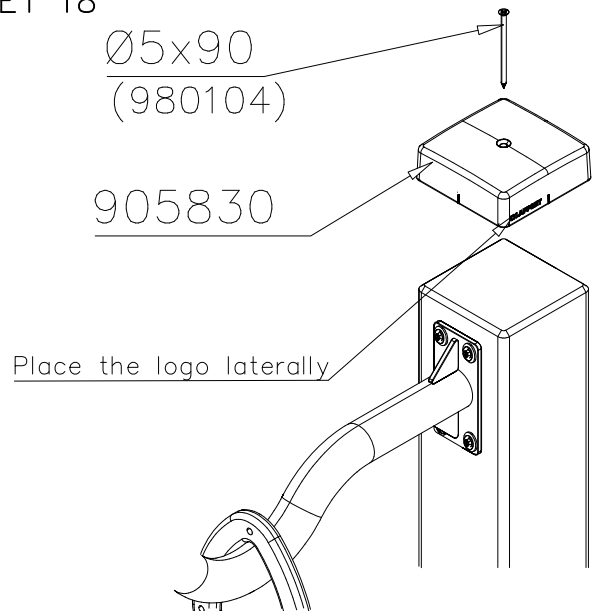
DET 16

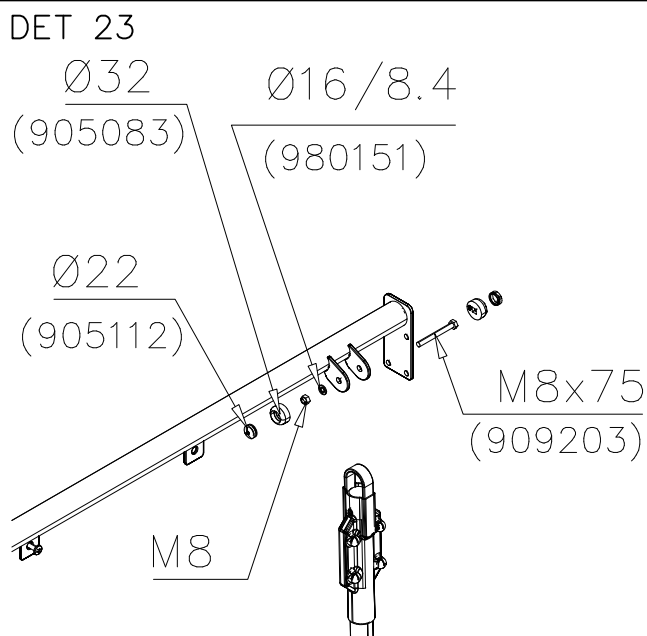
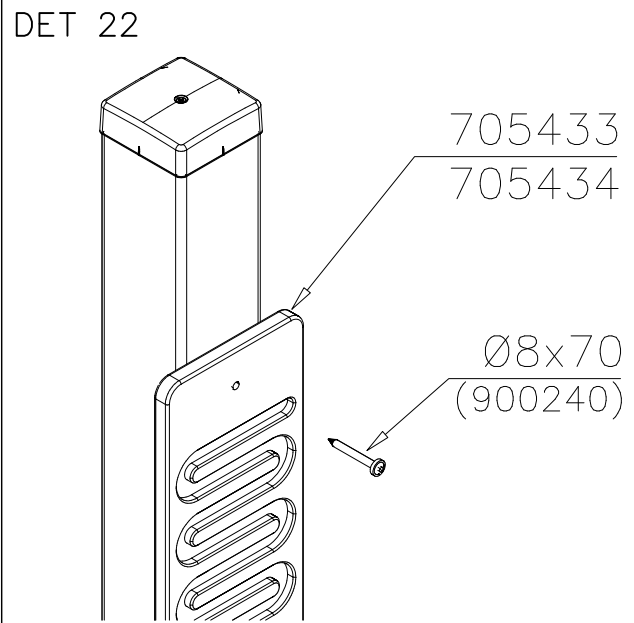
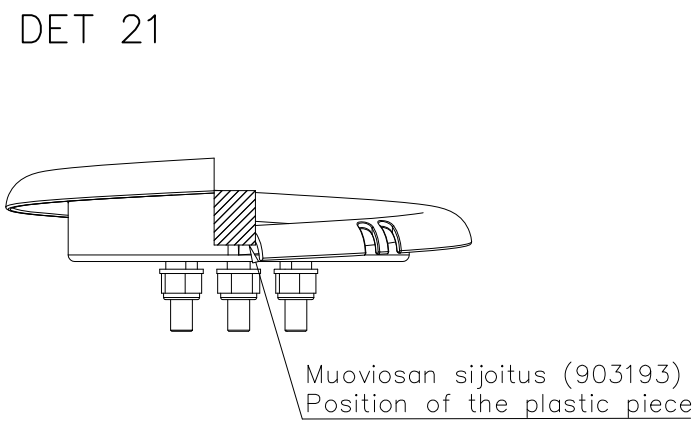
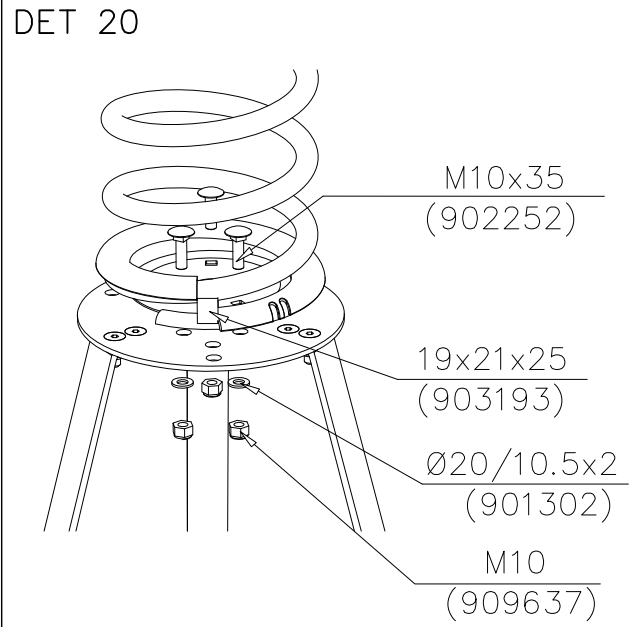
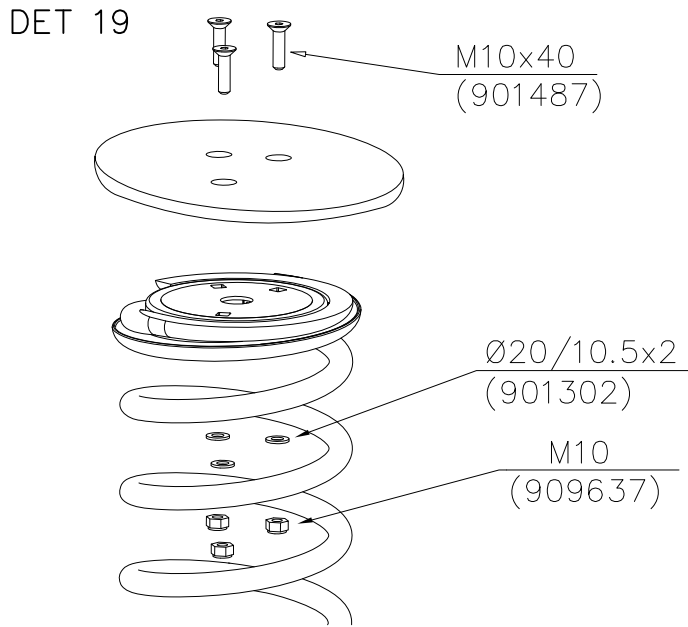


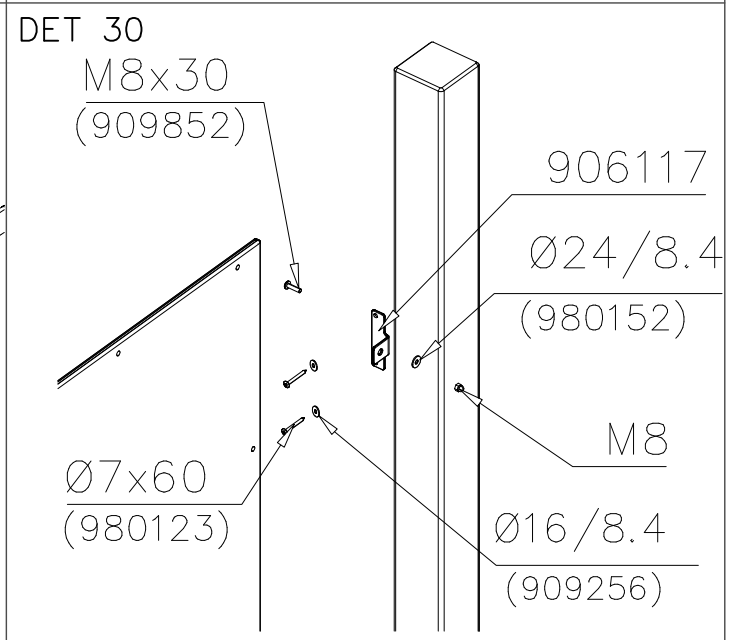
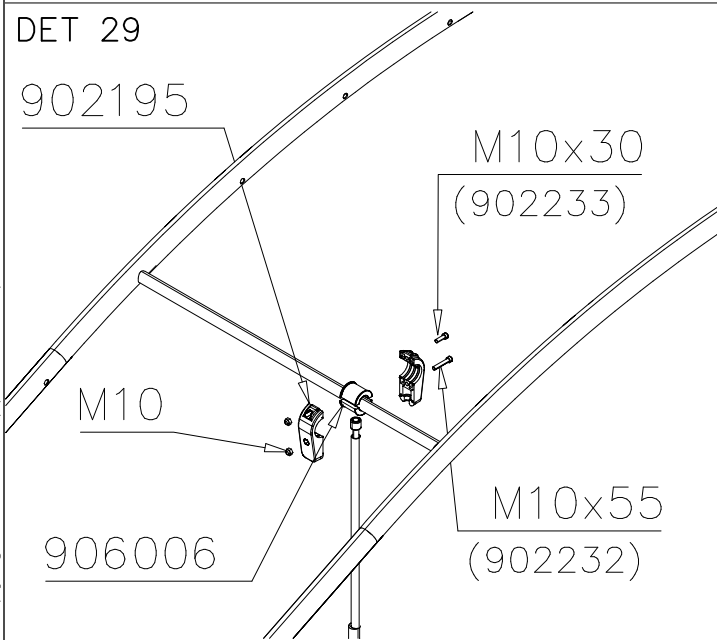
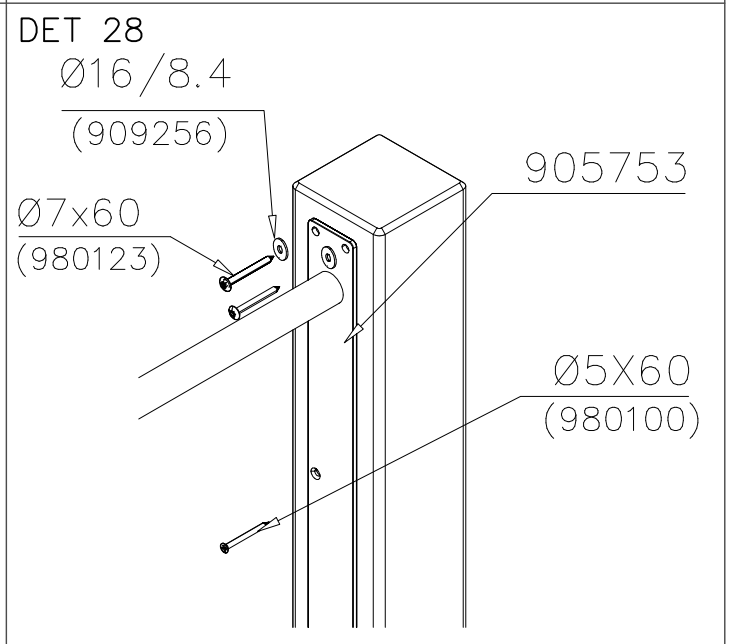
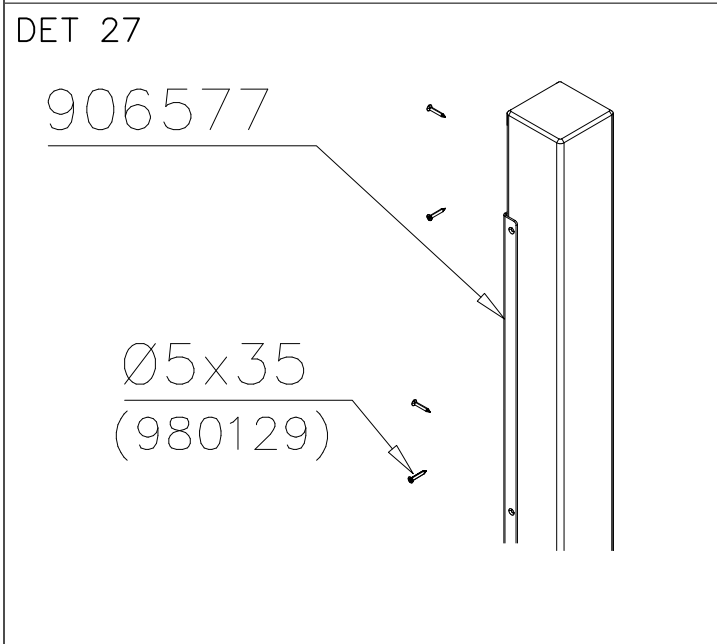
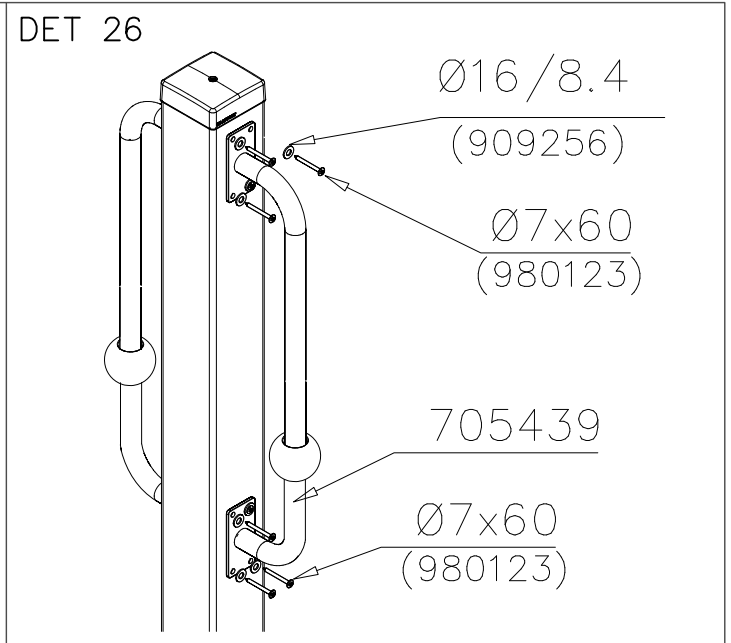
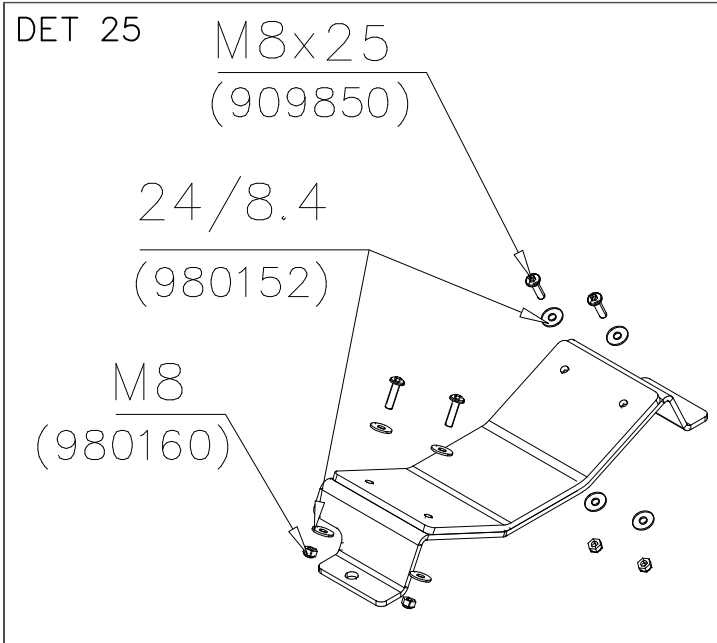
DET 17



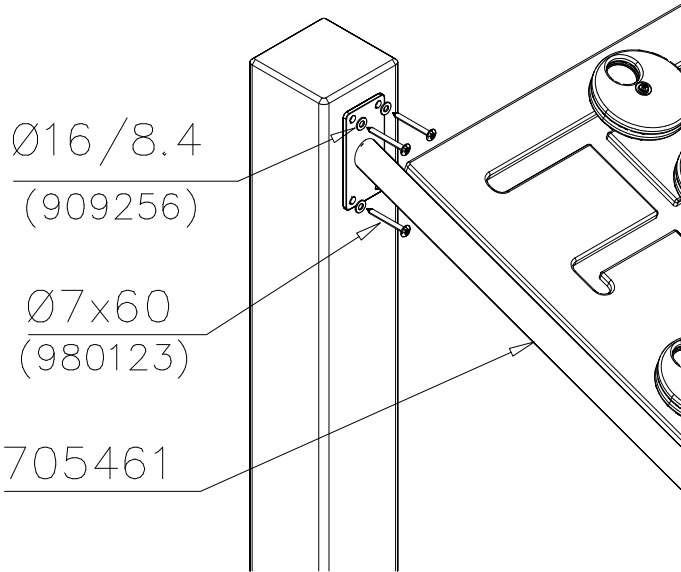
DET 18



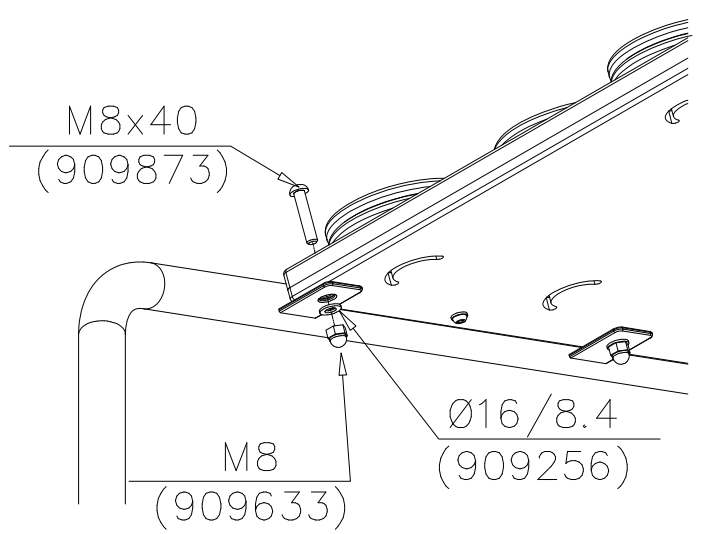




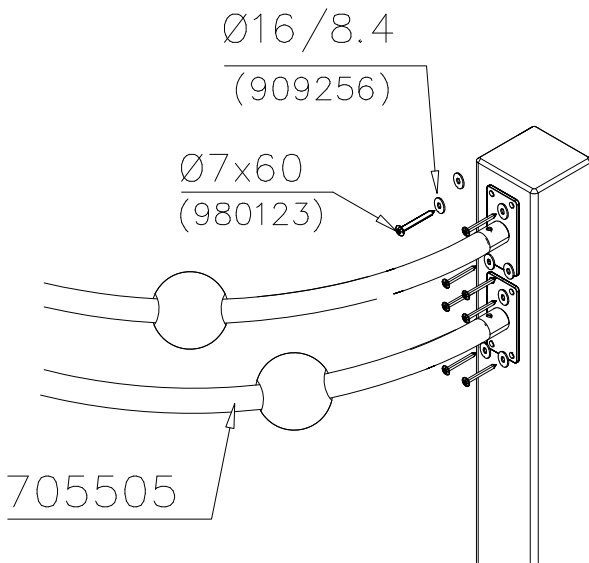
DET 31



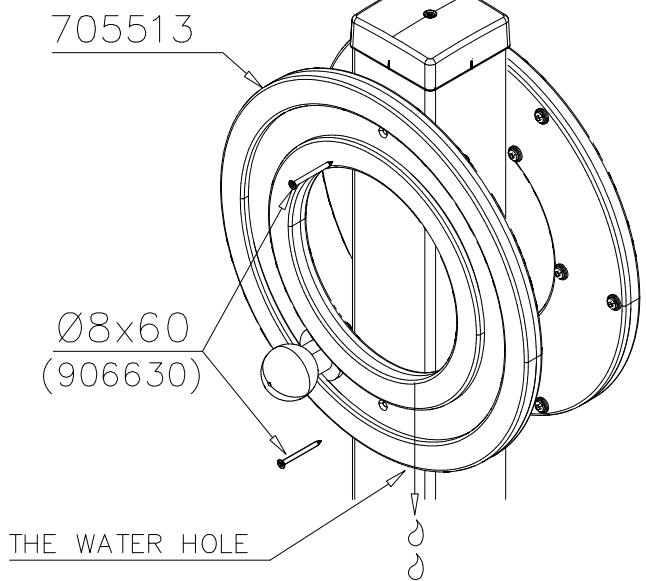
DET 32



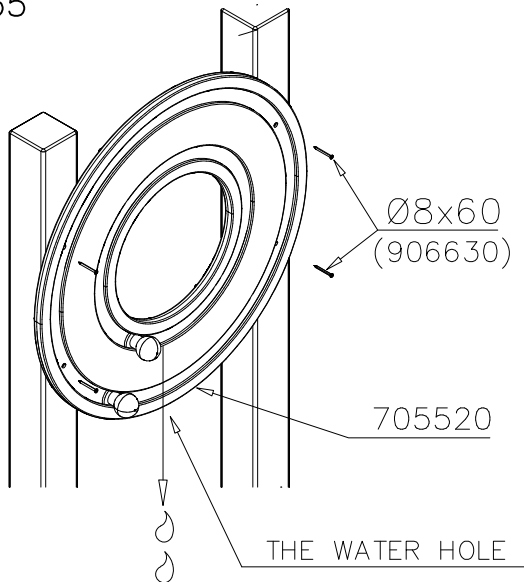
DET 33



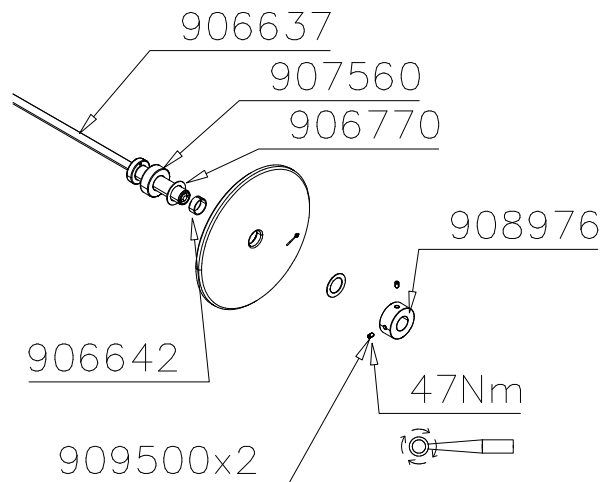
DET 34



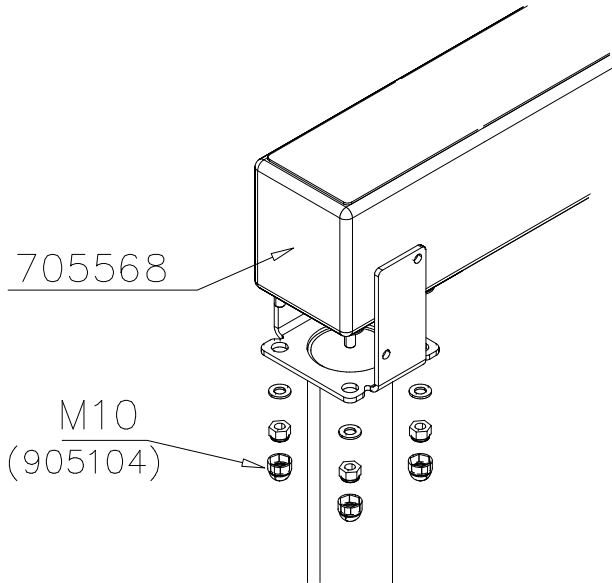
DET 35



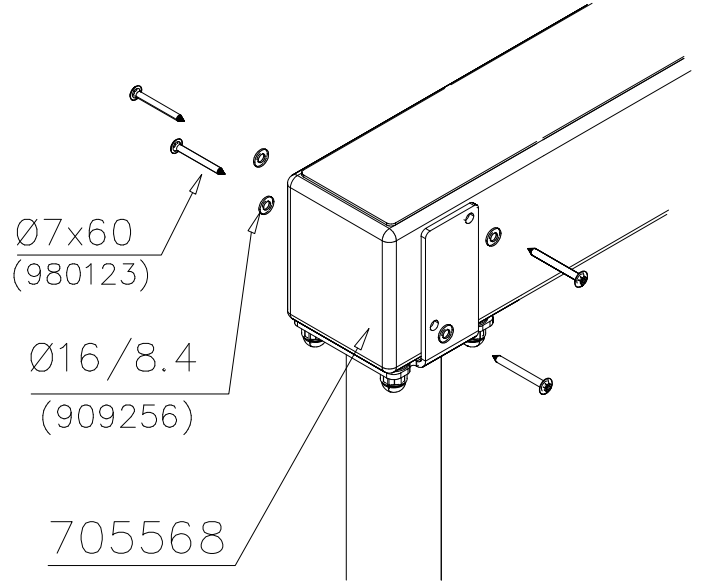
DET 36



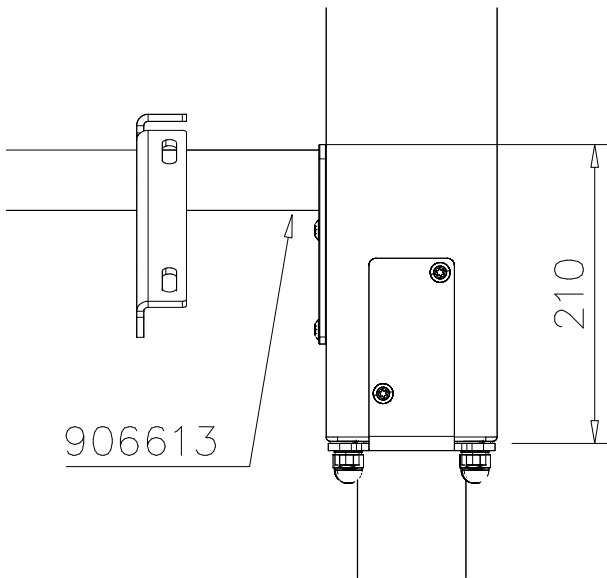
DET 37



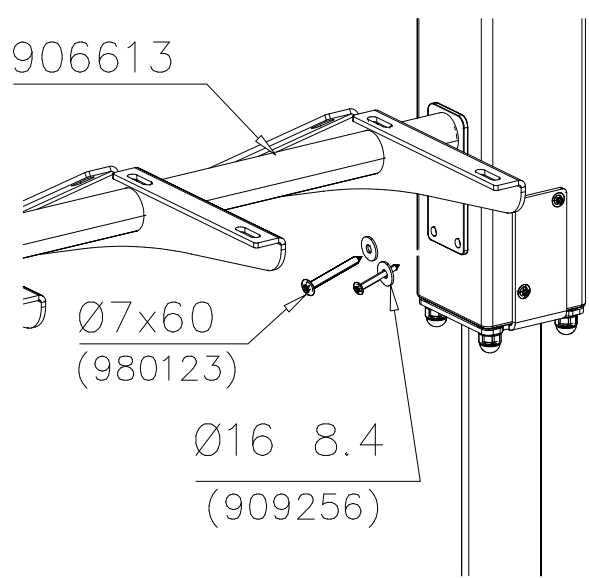
DET 38



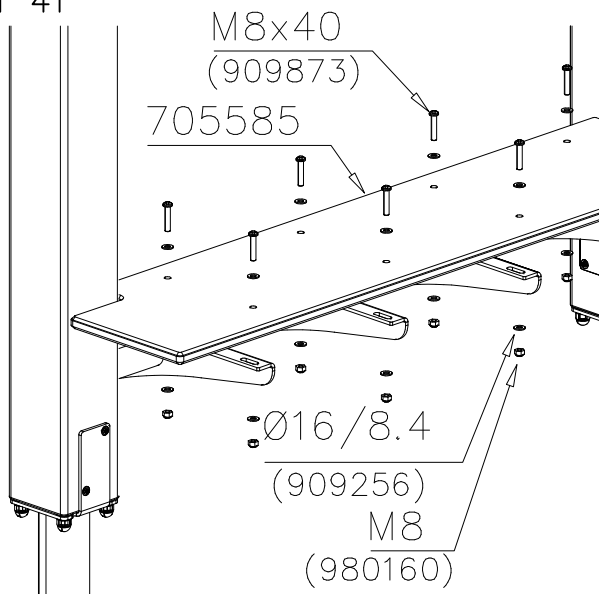
DET 39



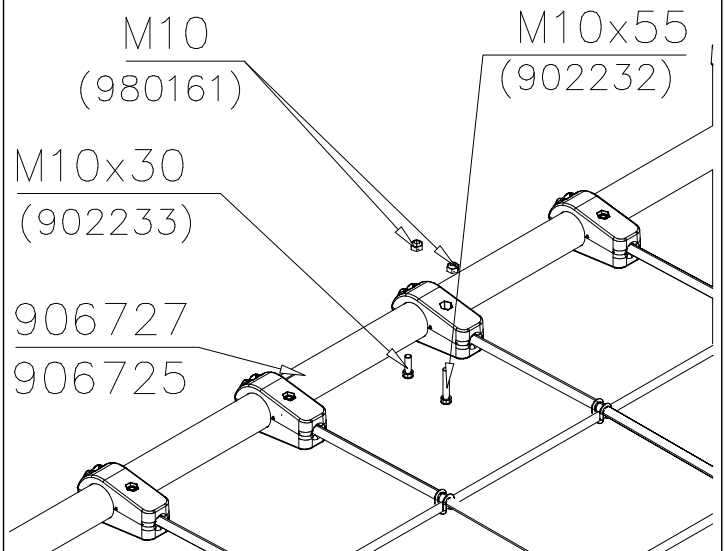
DET 40

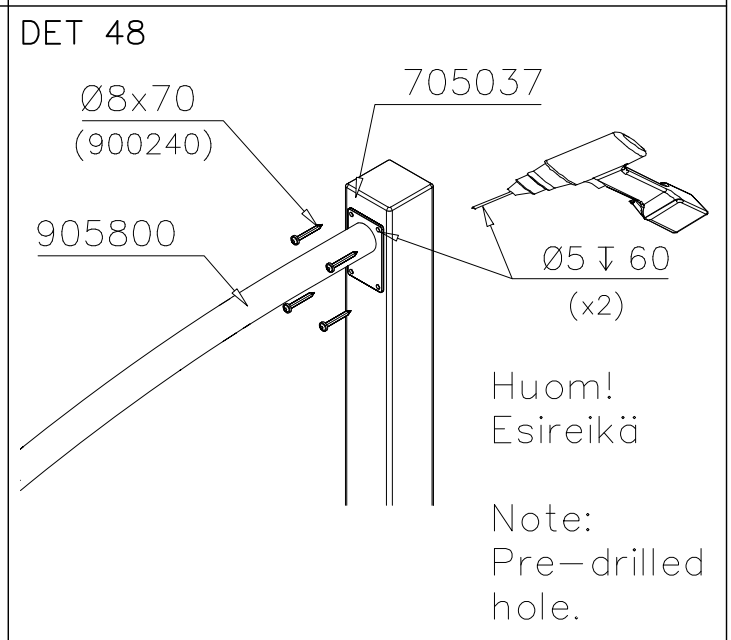
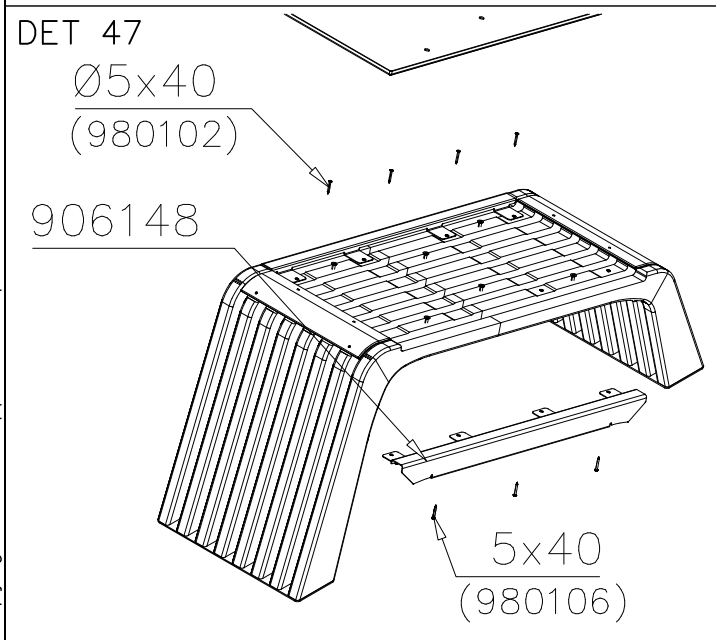
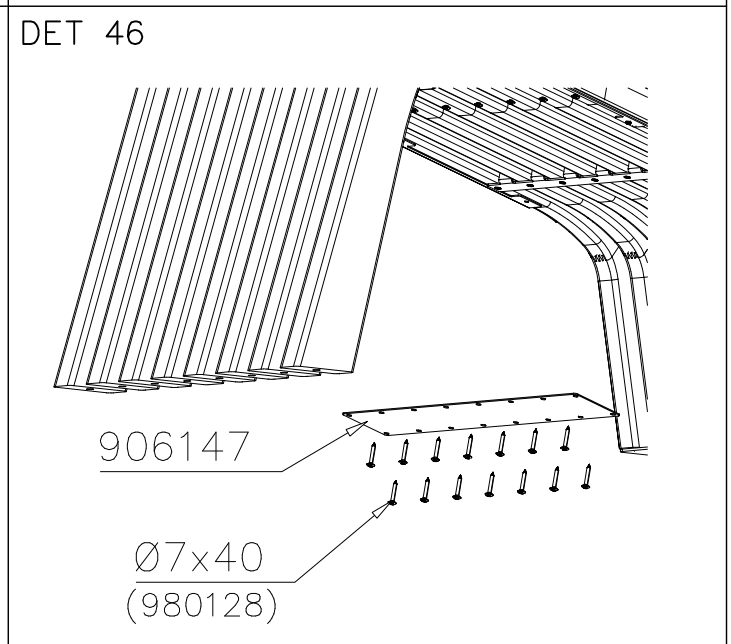
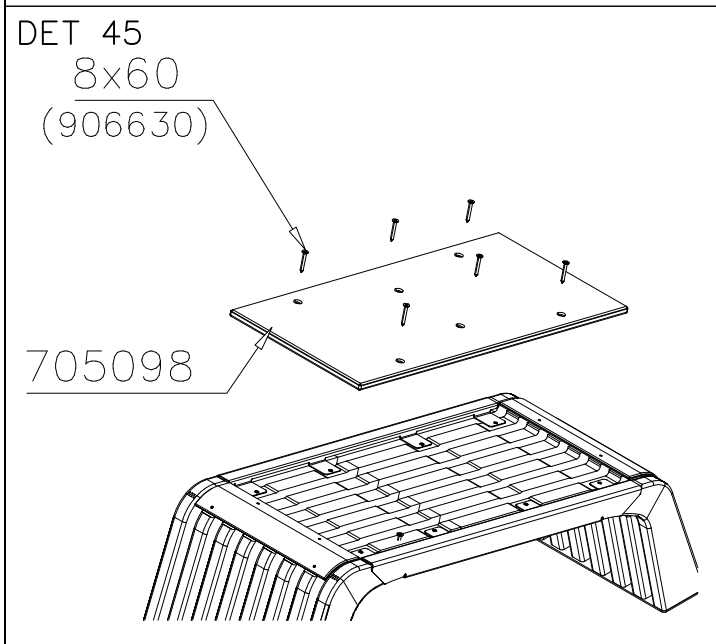
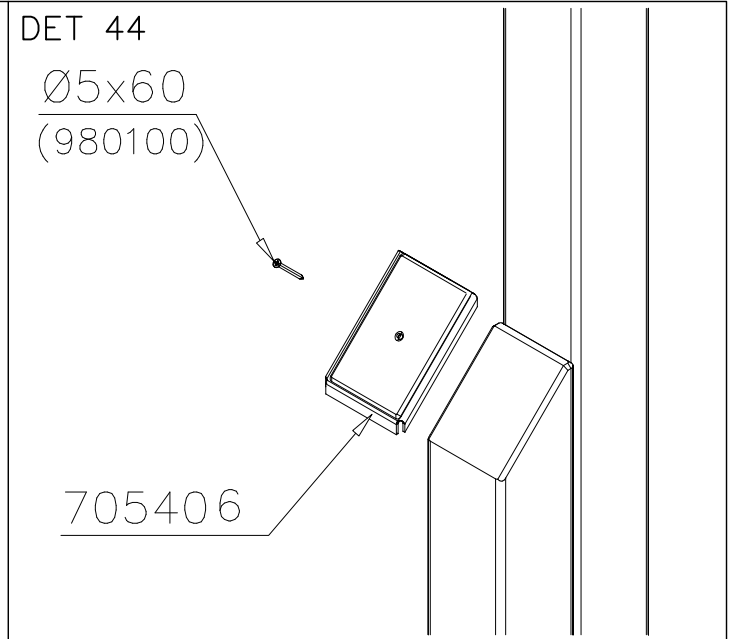
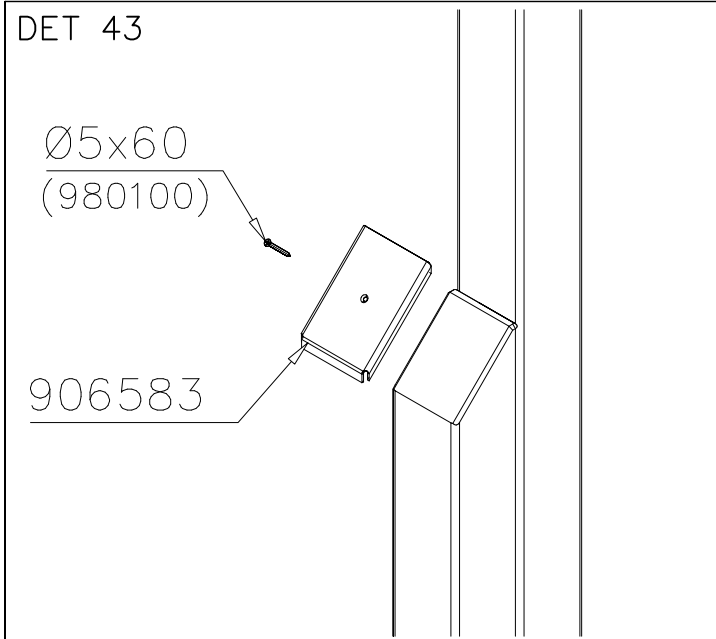


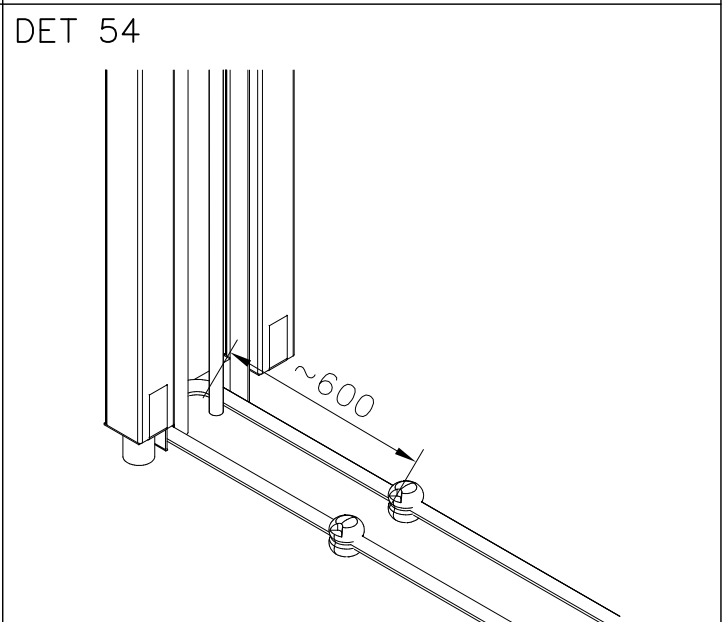
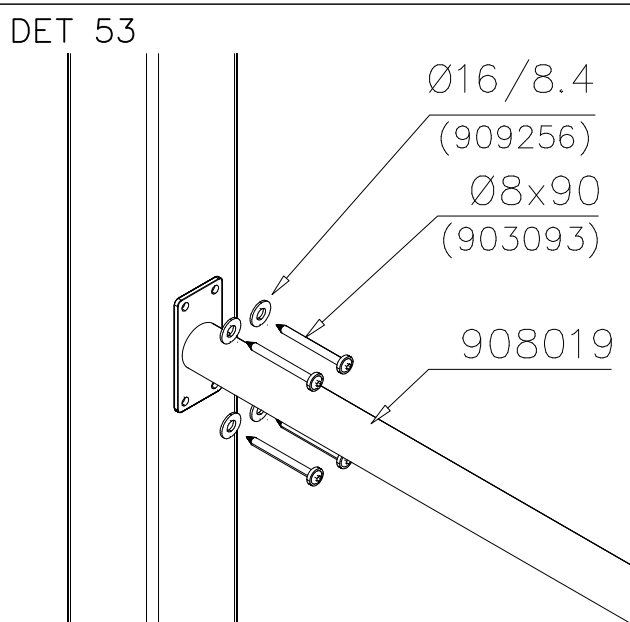
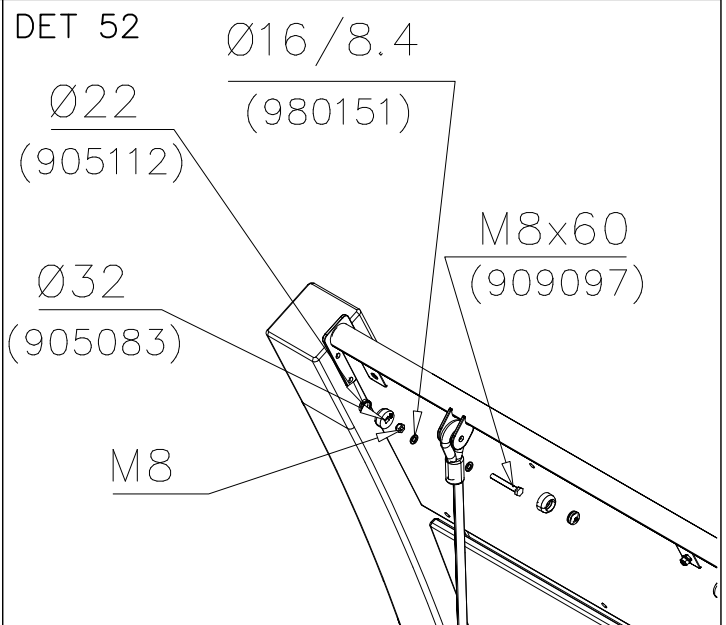
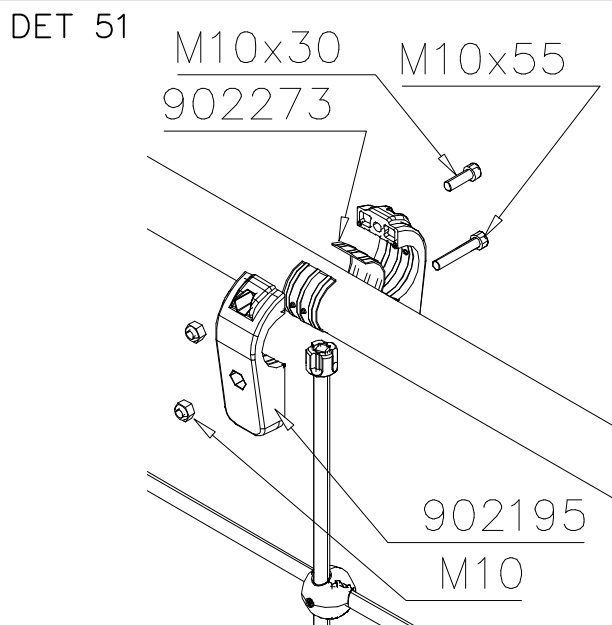
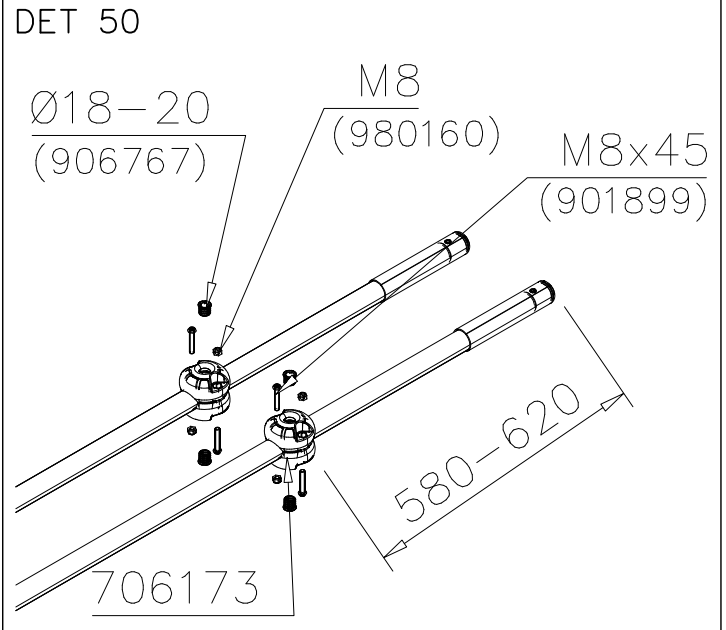
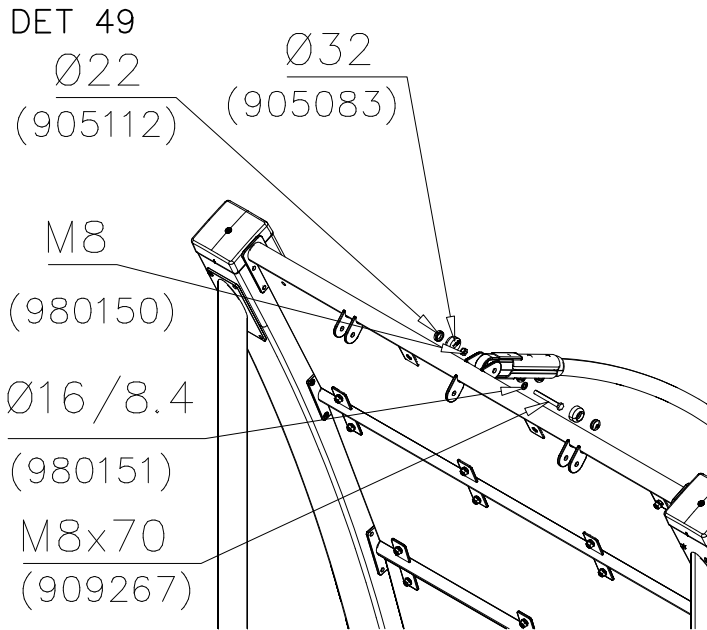
DET 41



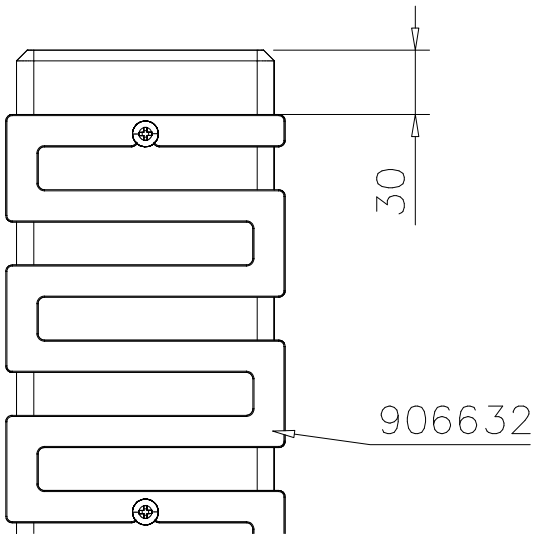
DET 42



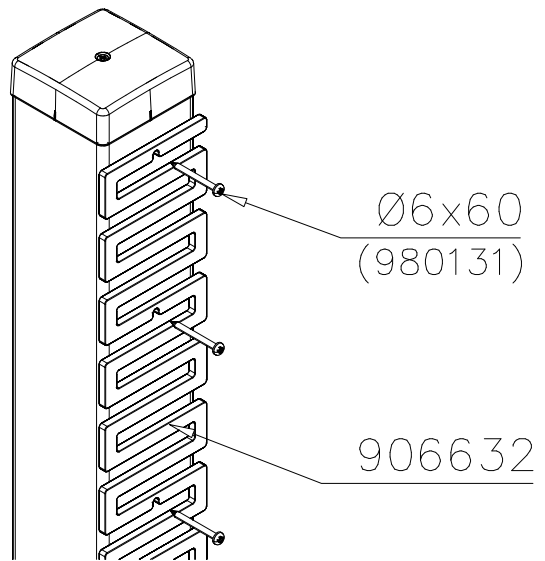




DET 55



DET 56



DET 57

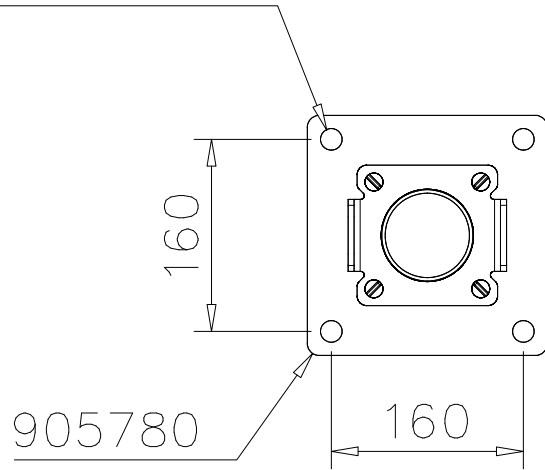
DET 58

DET 59

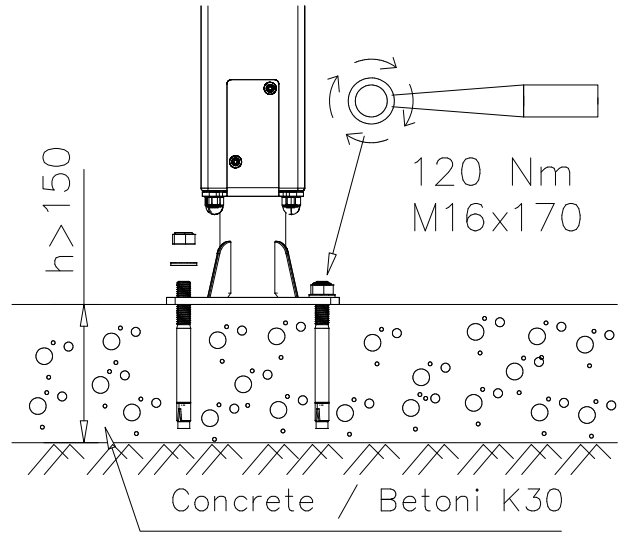
DET 60

DET 1

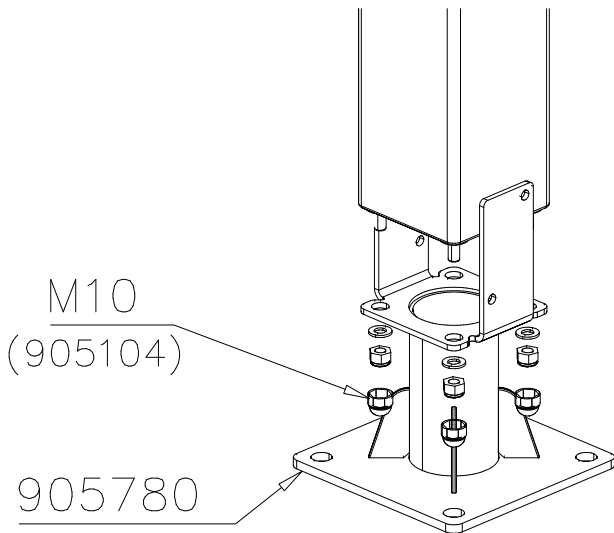
$\varnothing 16 \downarrow > 130$



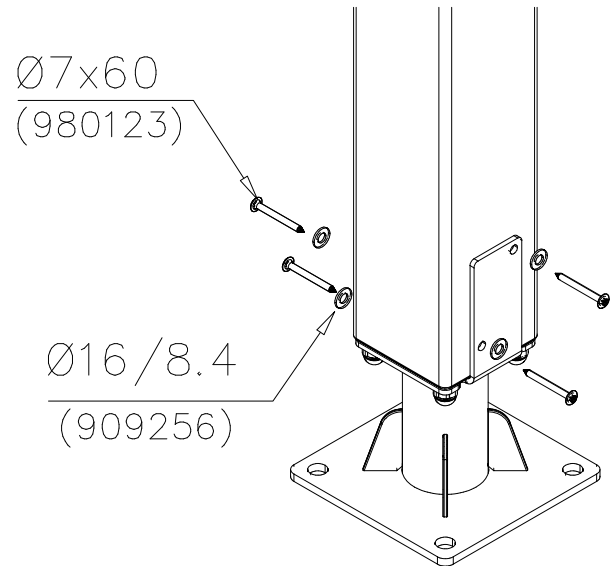
DET 2



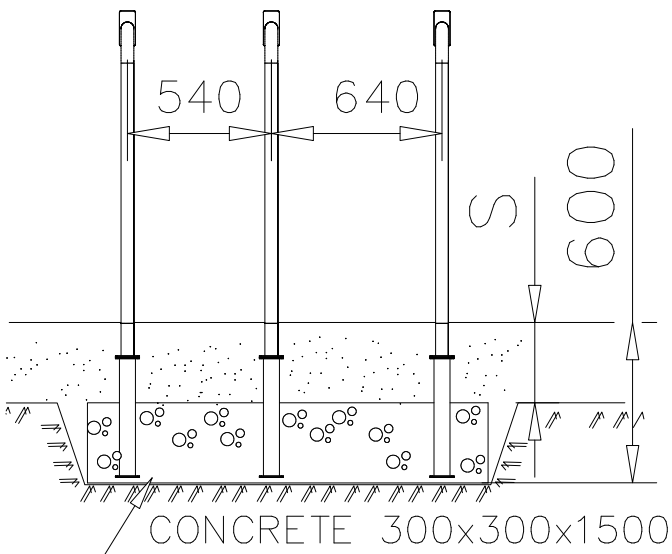
DET 3



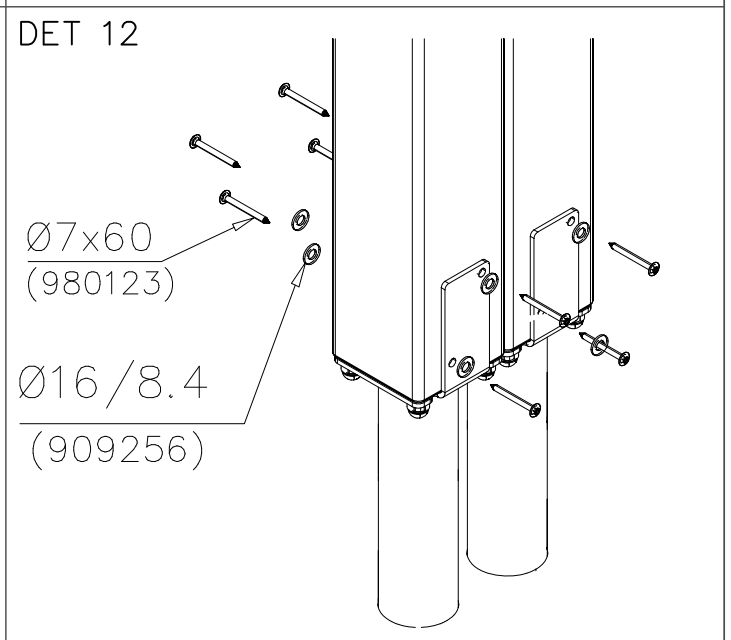
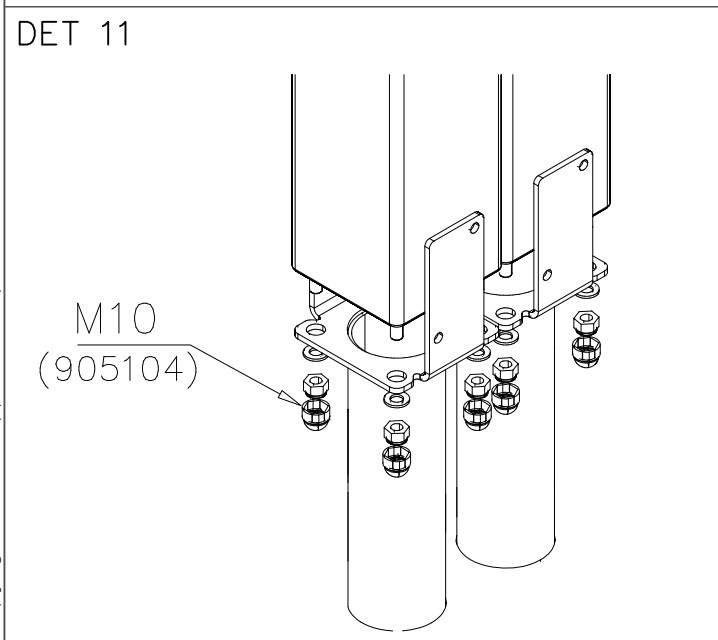
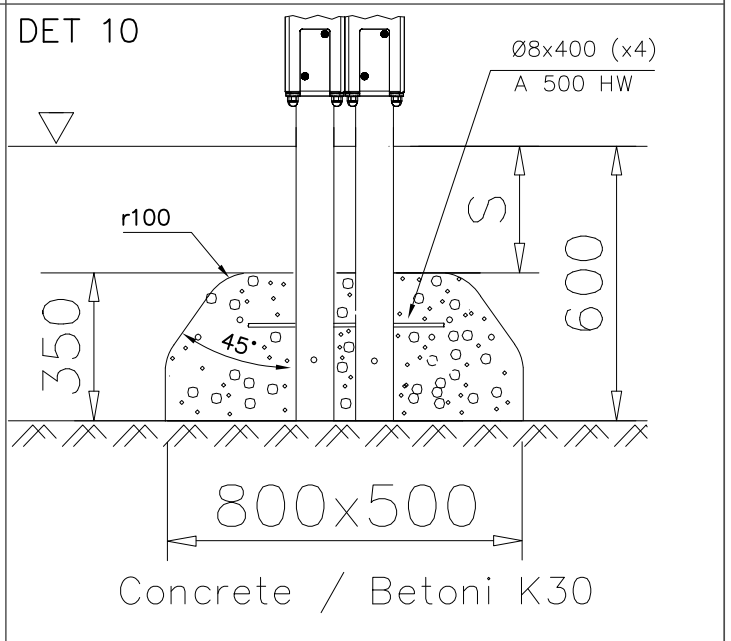
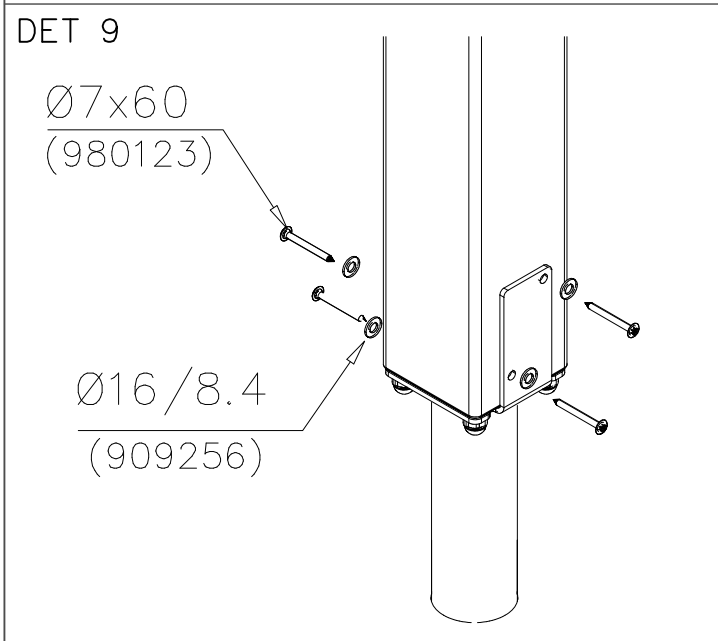
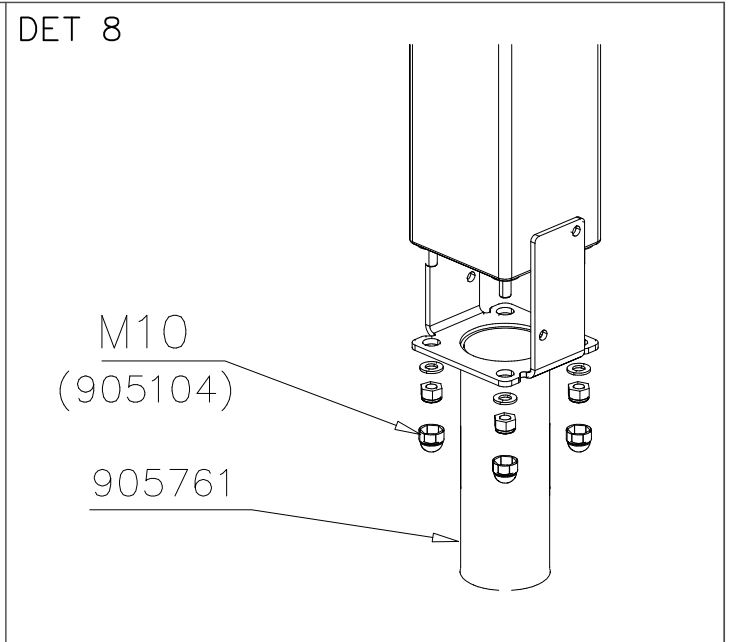
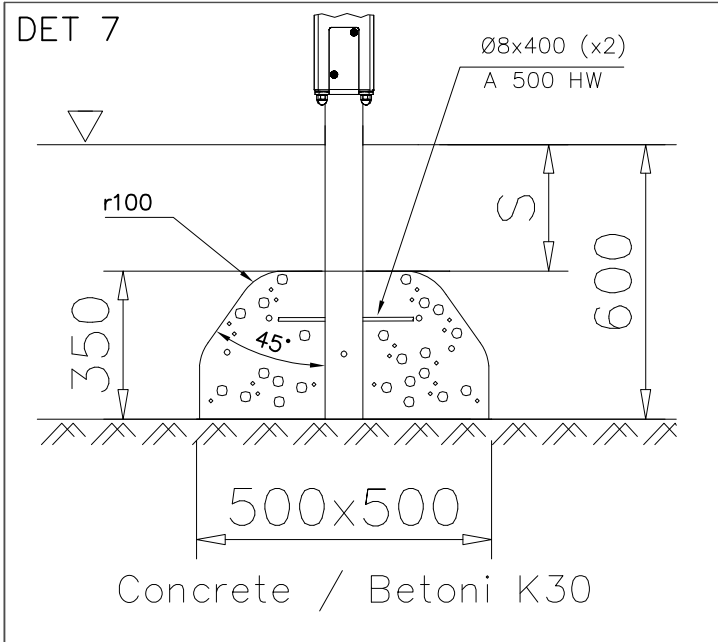
DET 4



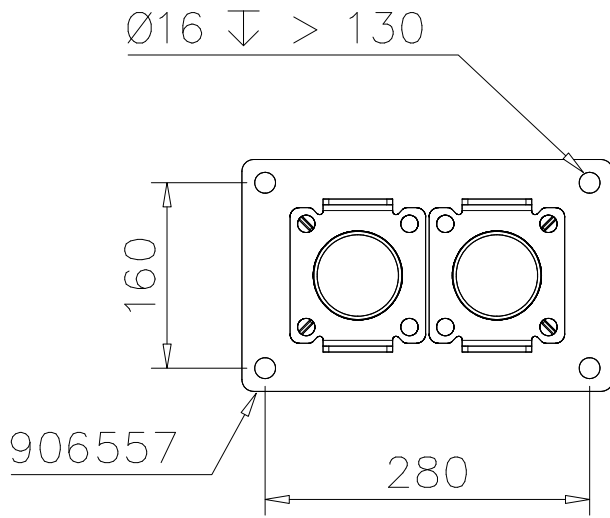
DET 5



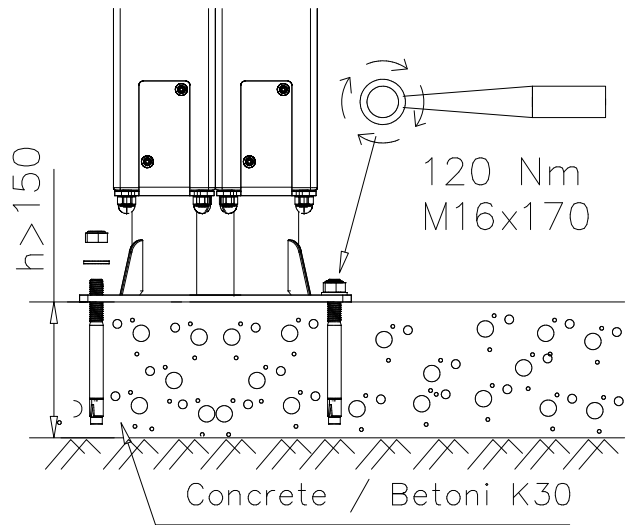
DET 6



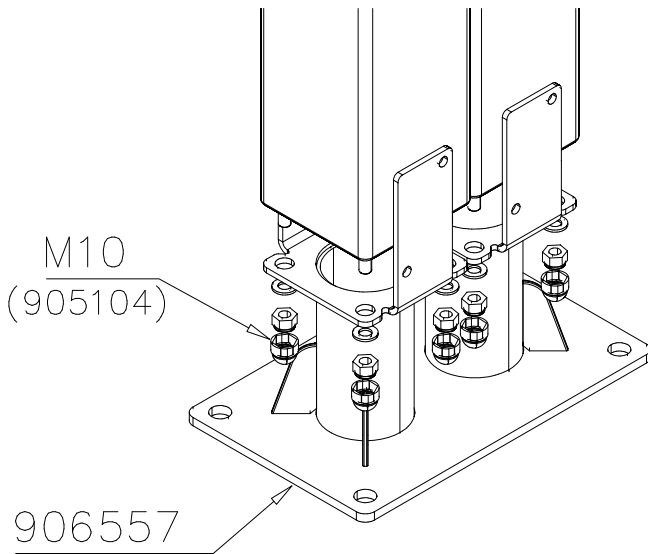
DET 13



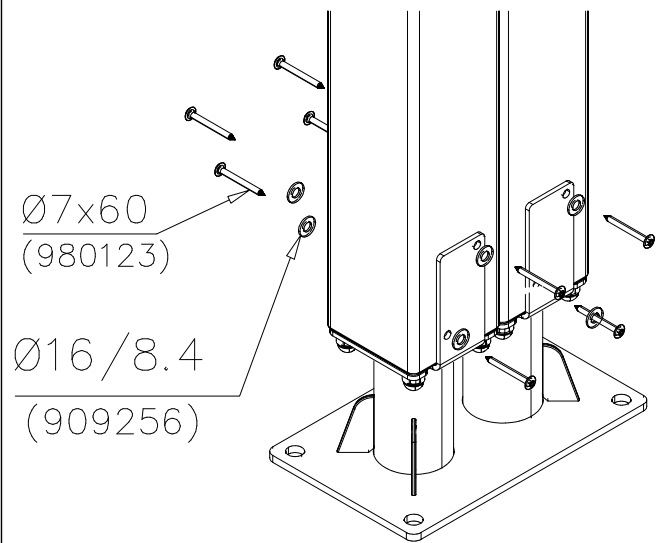
DET 14



DET 15

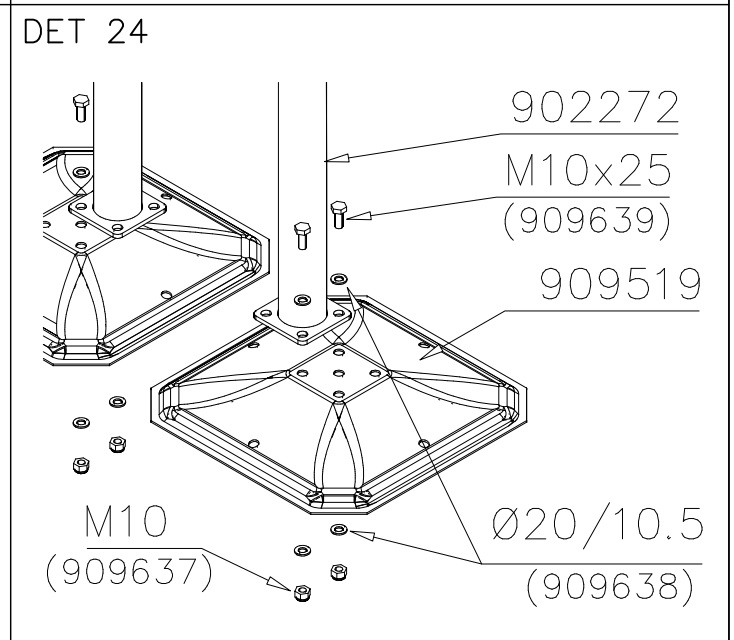
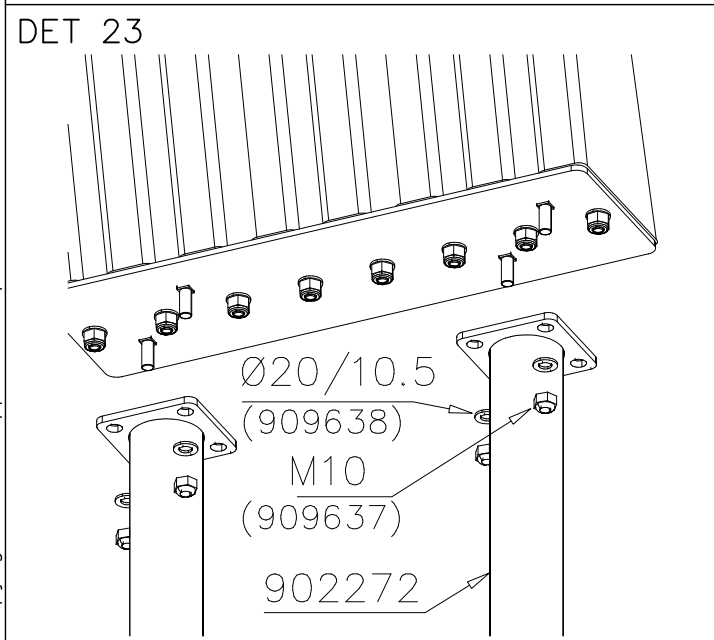
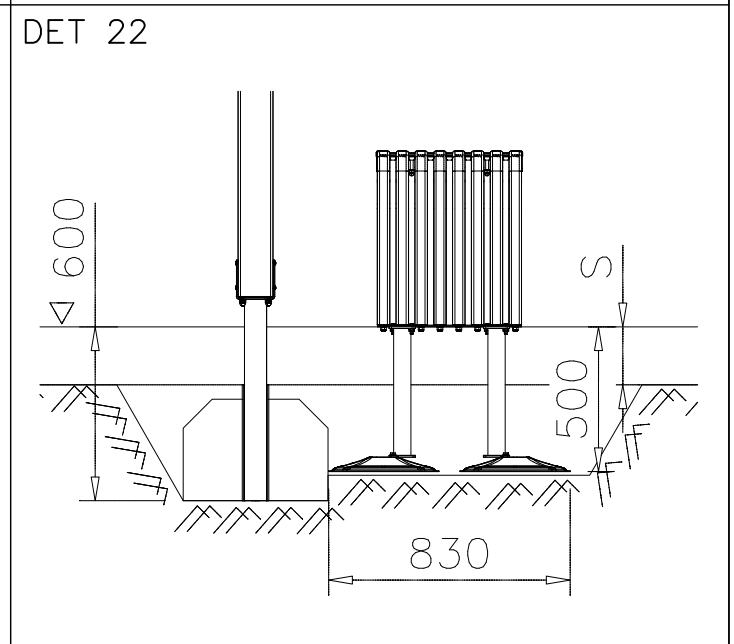
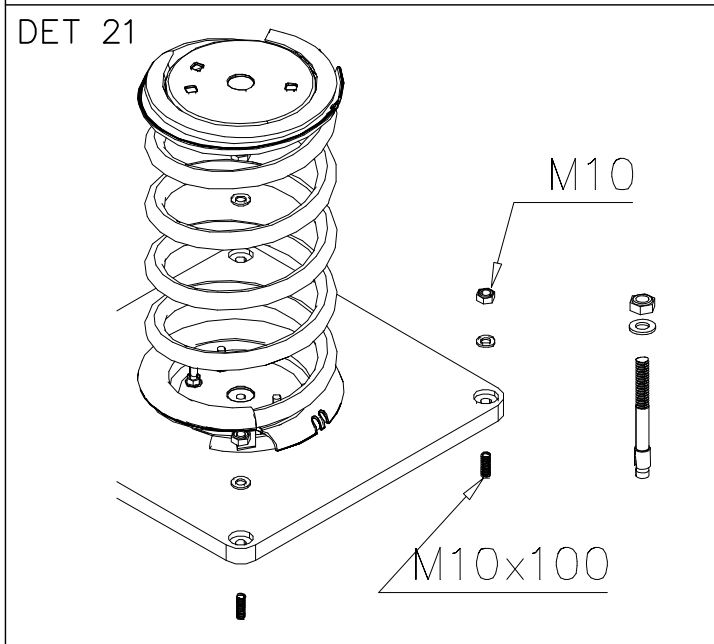
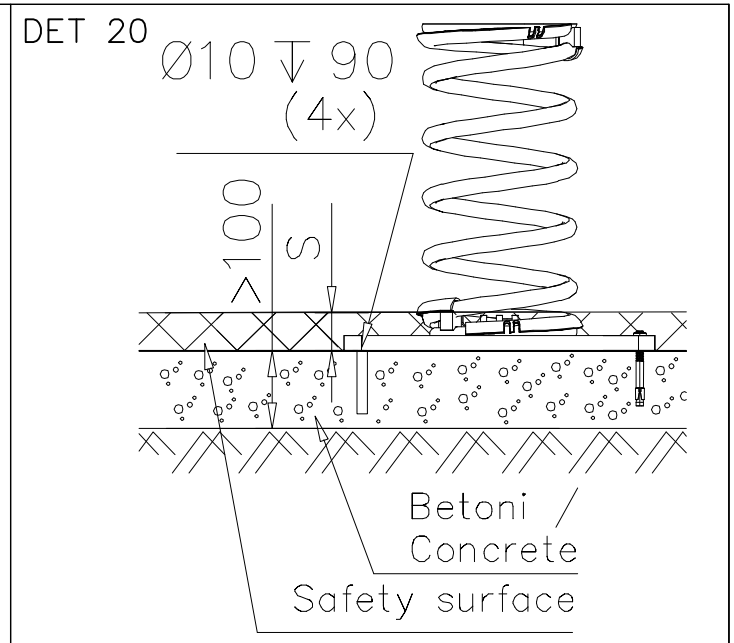
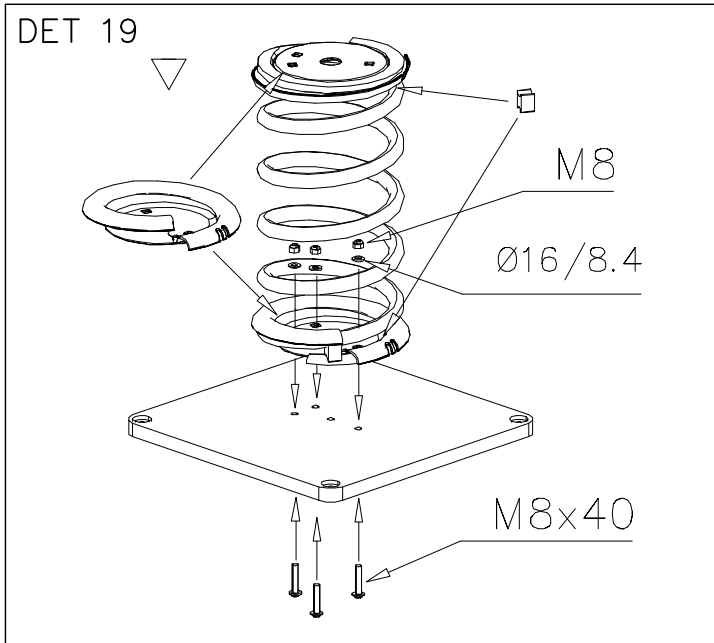


DET 16



DET 17

DET 18

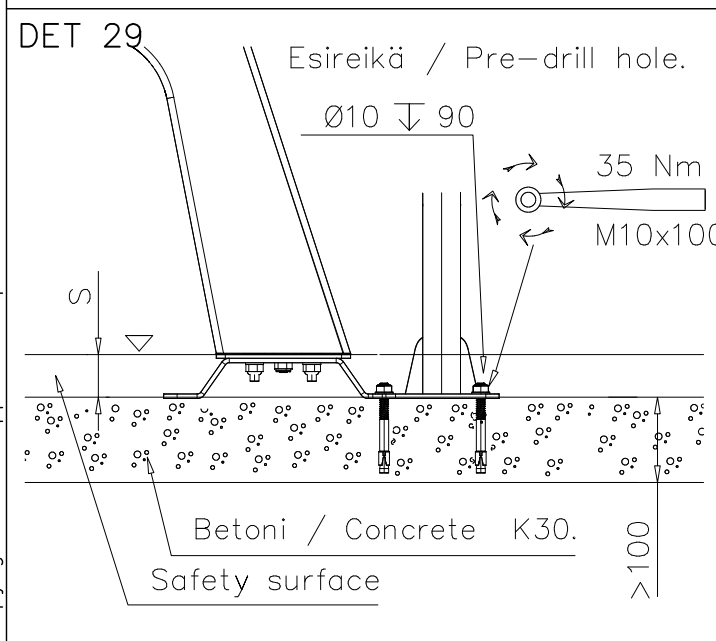
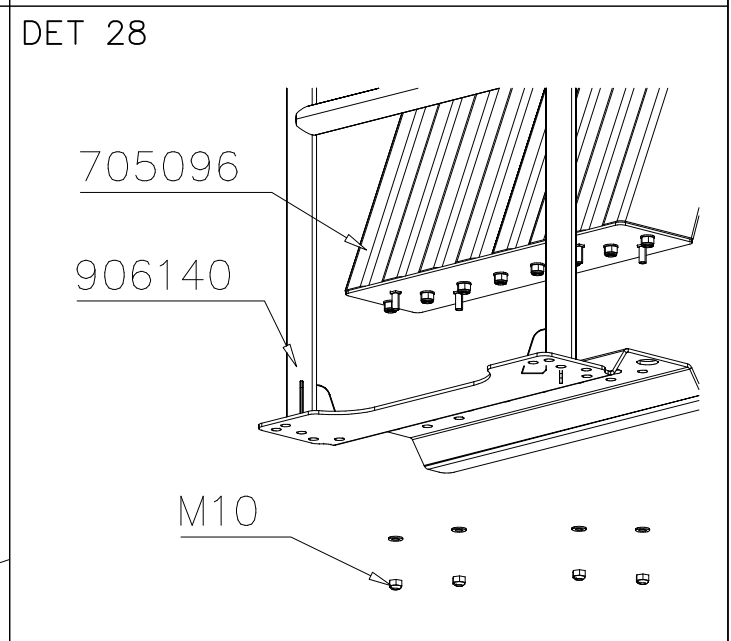
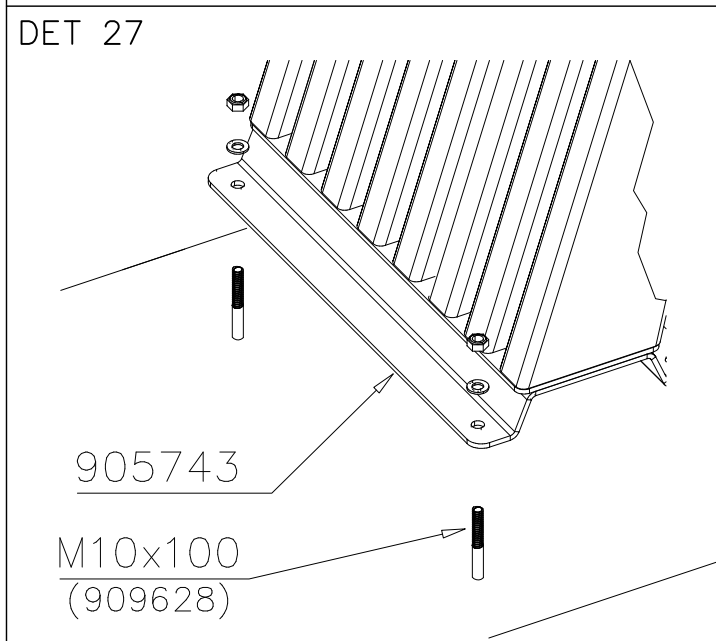
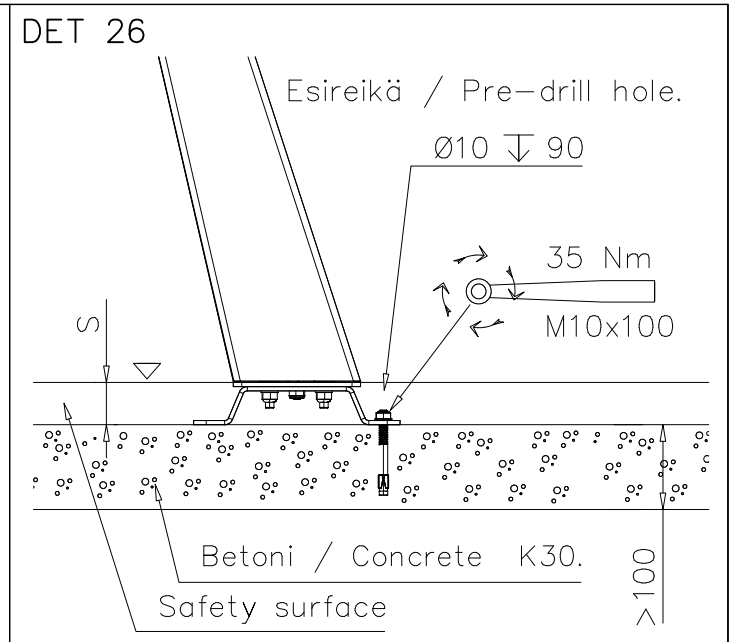
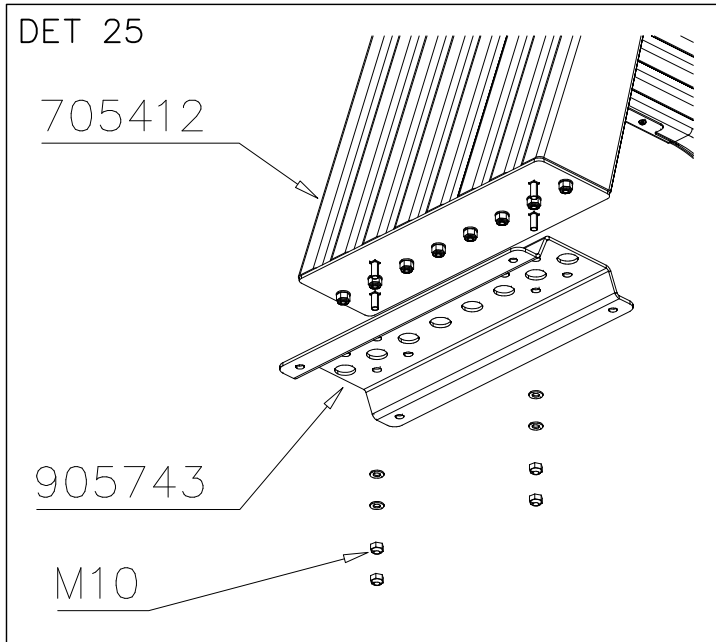


LAPPSET SPORT

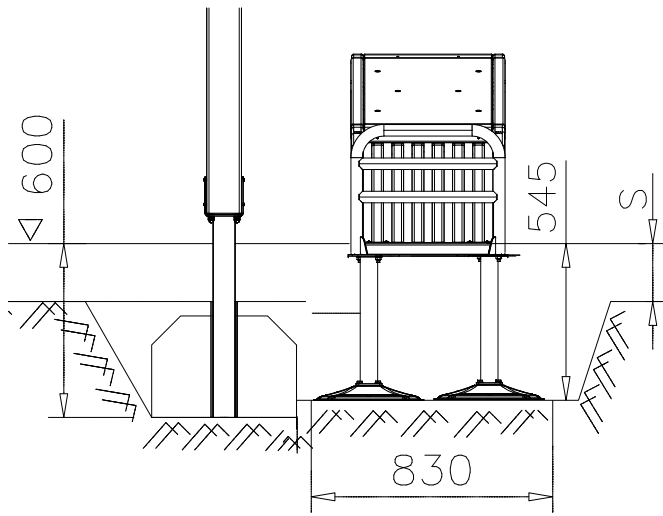
BASE

DATE: 29.4.2015

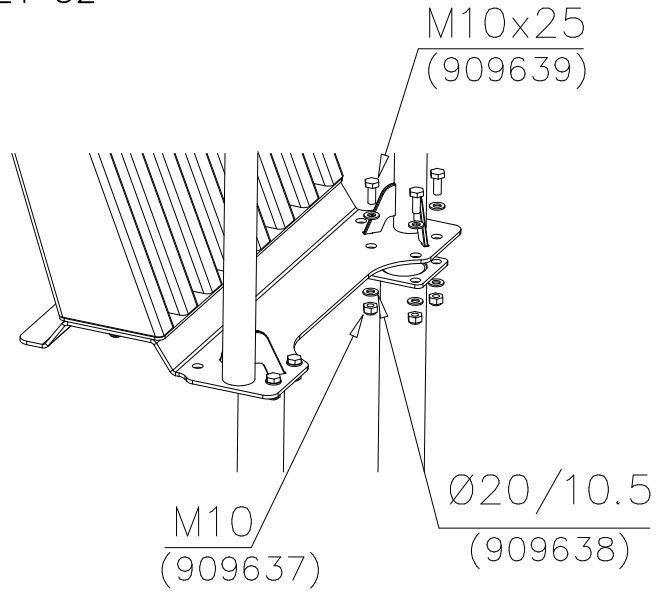
5(10)



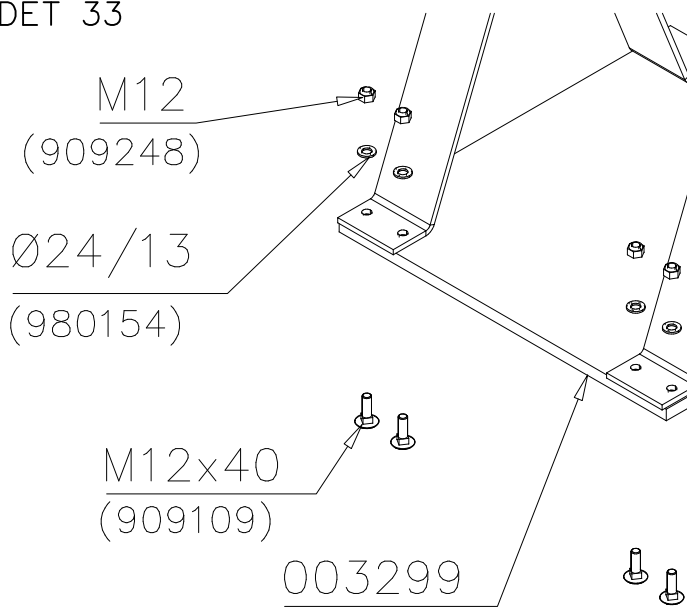
DET 31



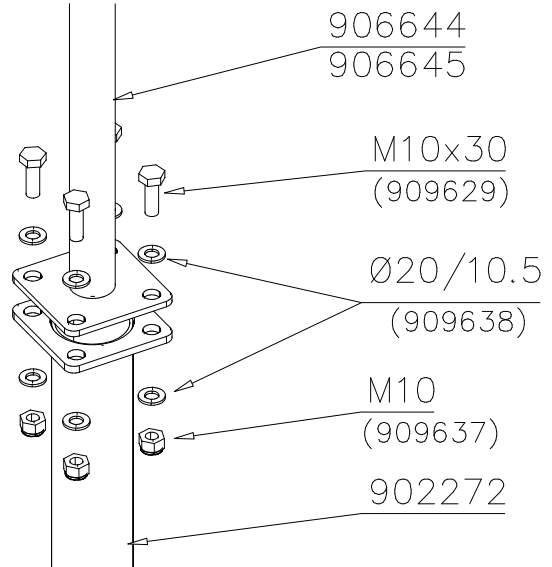
DET 32



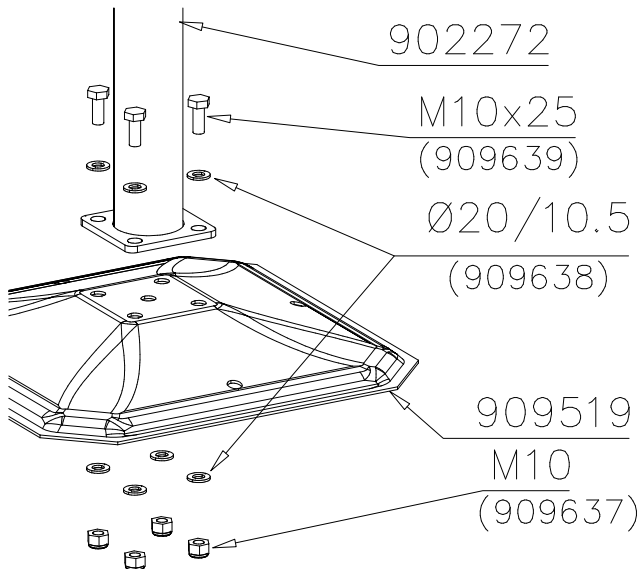
DET 33



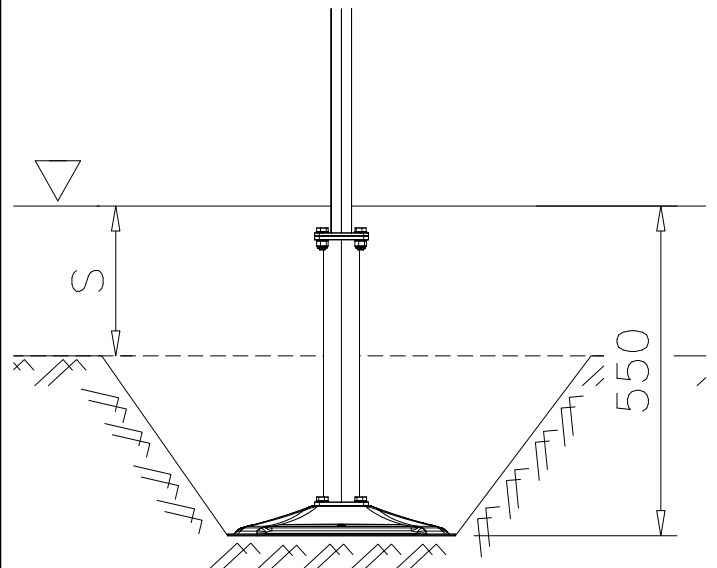
DET 34



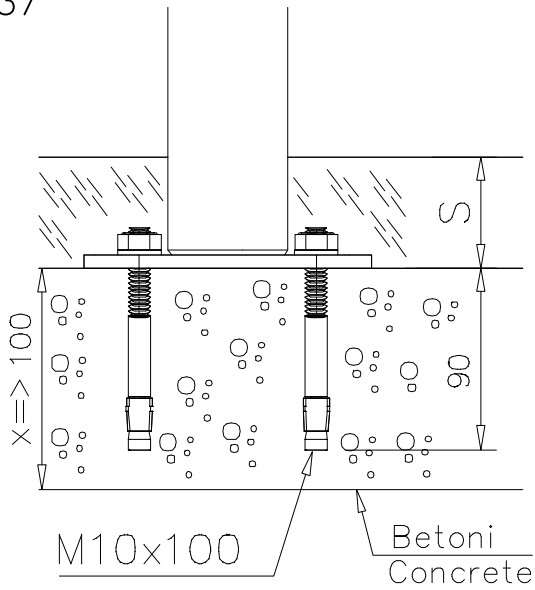
DET 35



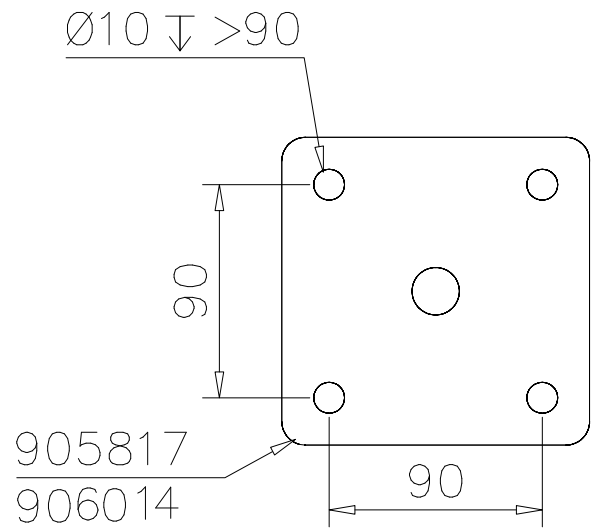
DET 36



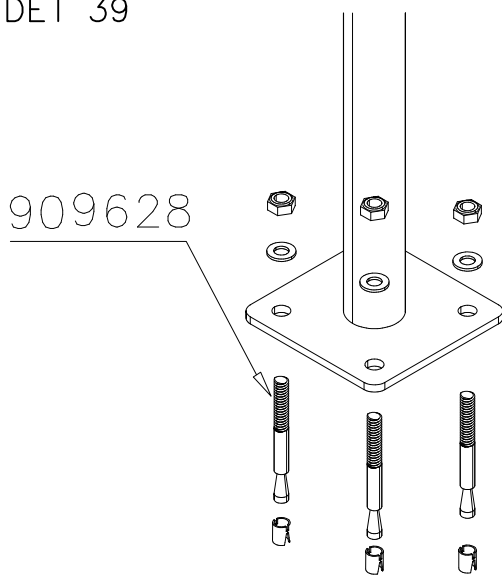
DET 37



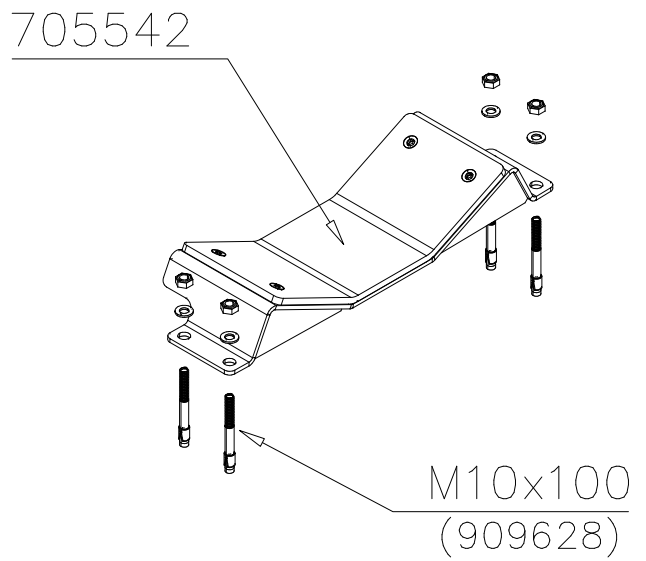
DET 38



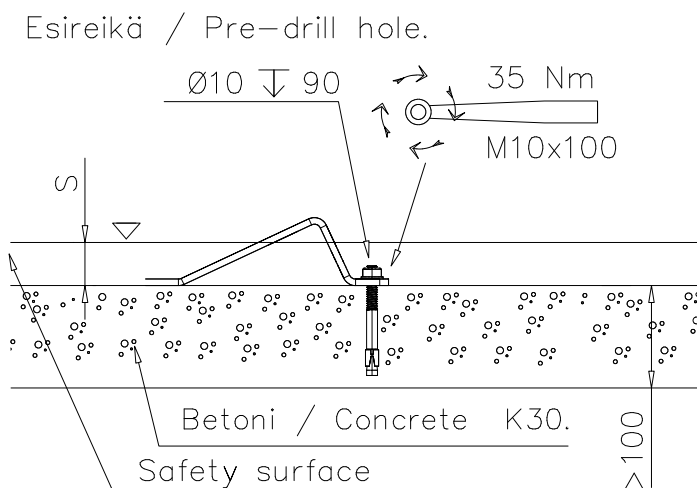
DET 39



DET 40



DET 41



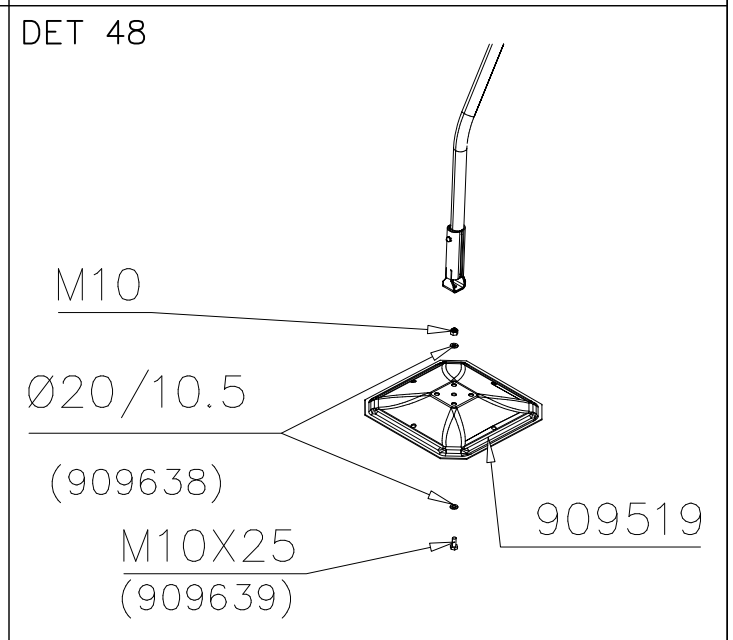
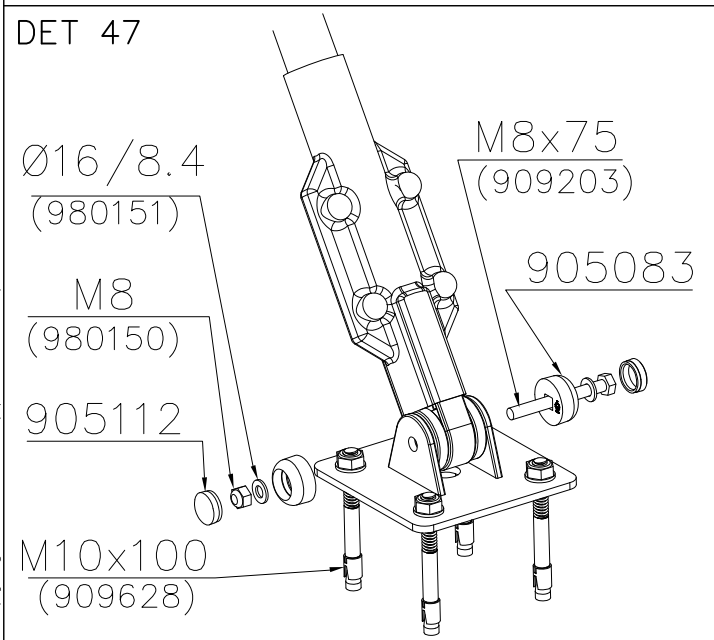
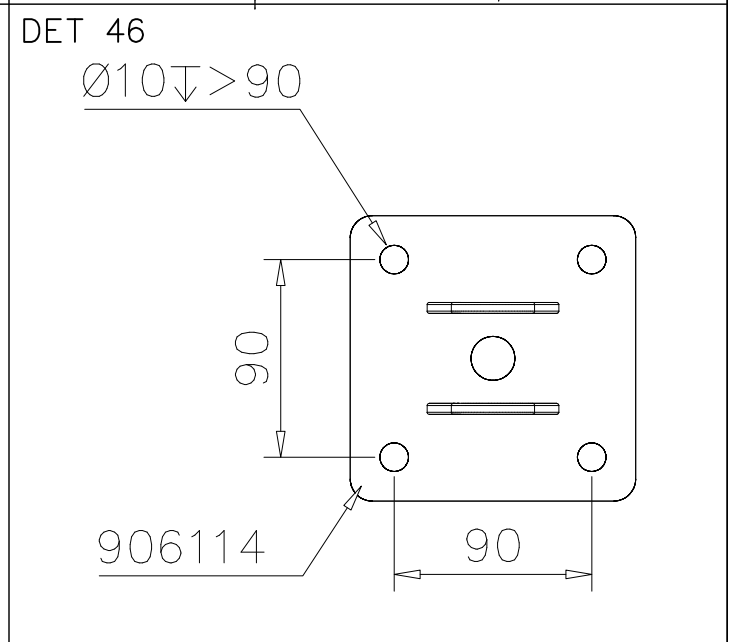
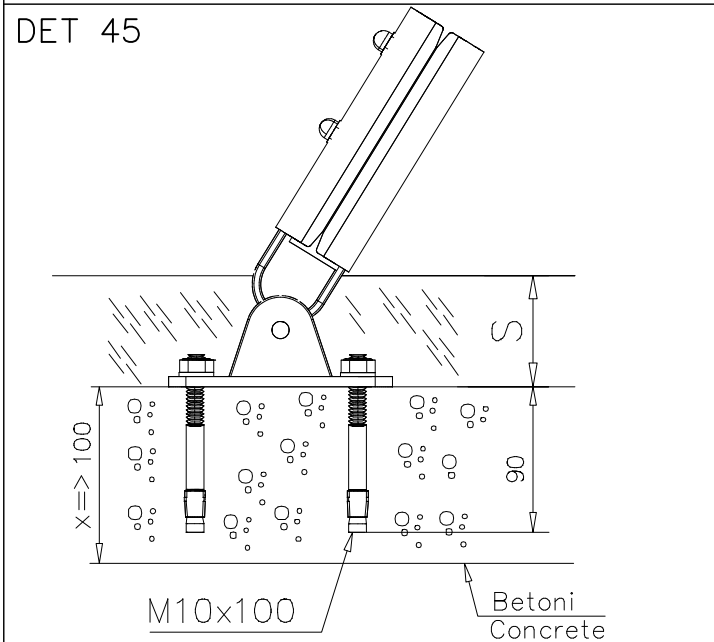
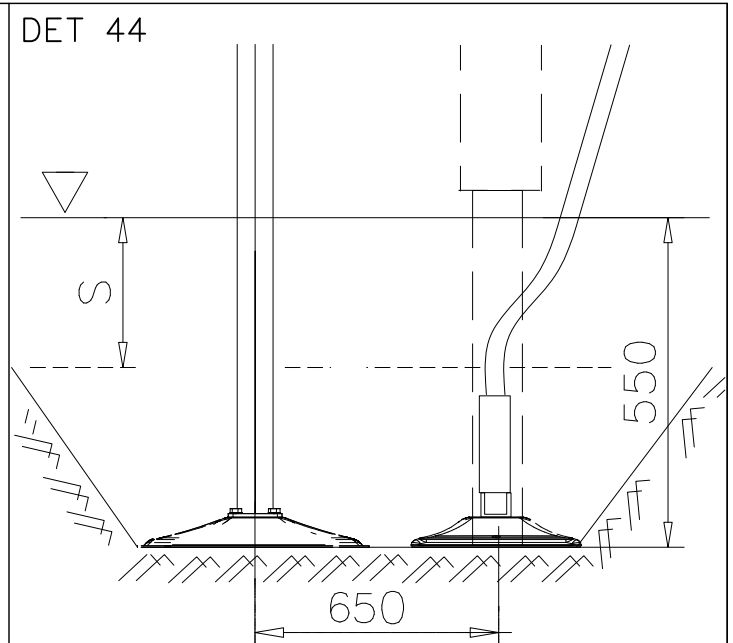
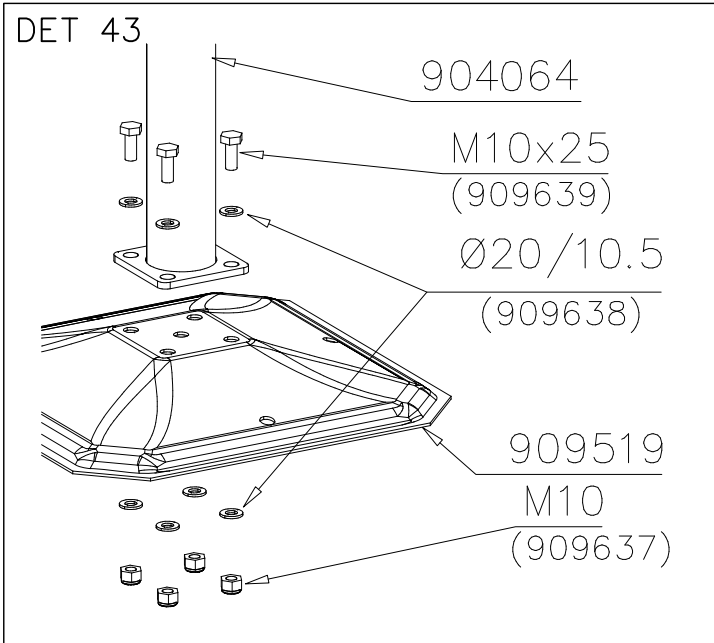
DET 42

LAPPSET SPORT

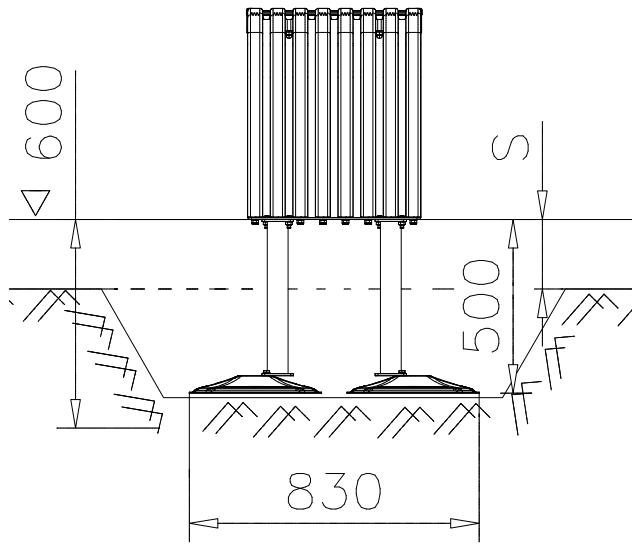
BASE

DATE: 15.8.2017

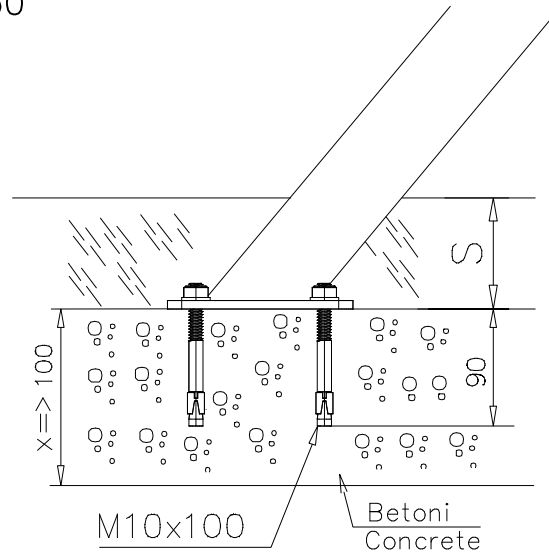
8(10)



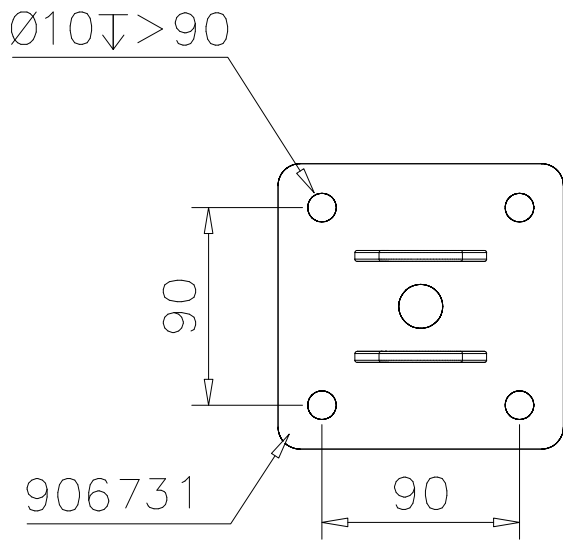
DET 49



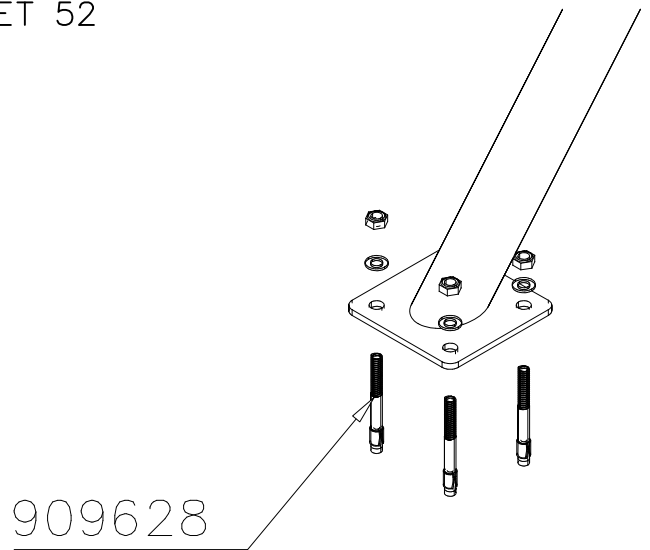
DET 50



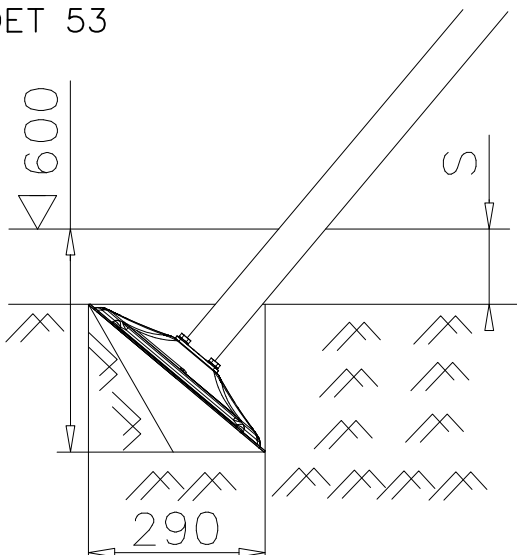
DET 51



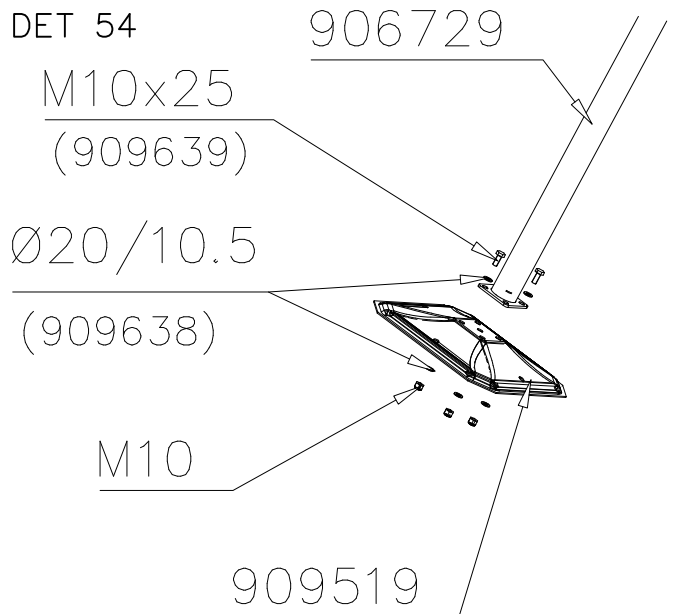
DET 52



DET 53

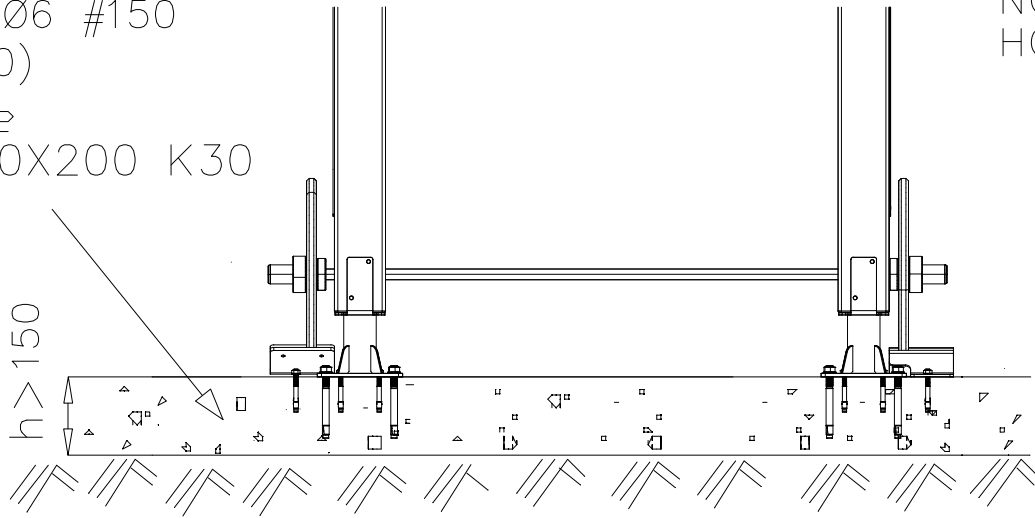


DET 54



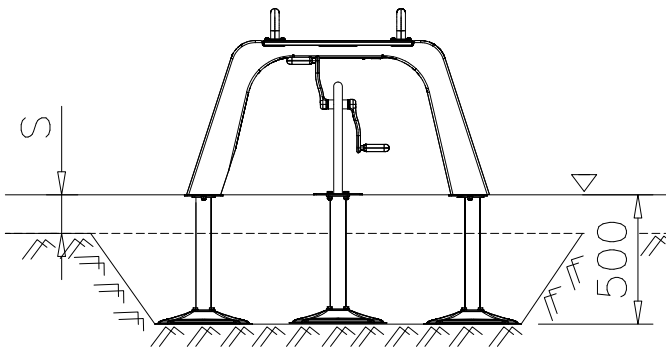
DET 55

STEELNET Ø6 #150
(1400x2100)
Concrete
1500X2200X200 K30

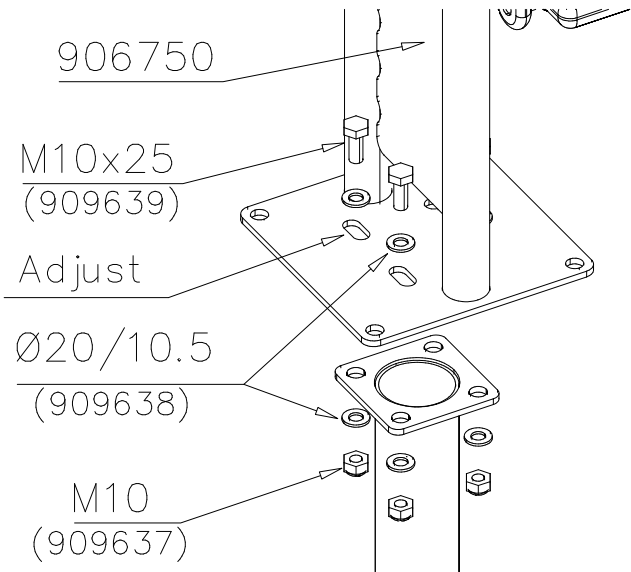


NOTE!
HOX!

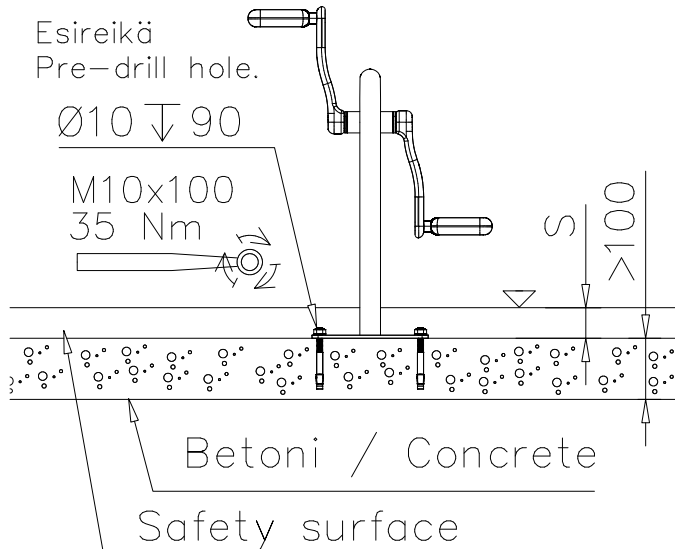
DET 56



DET 57



DET 58



DET 59

