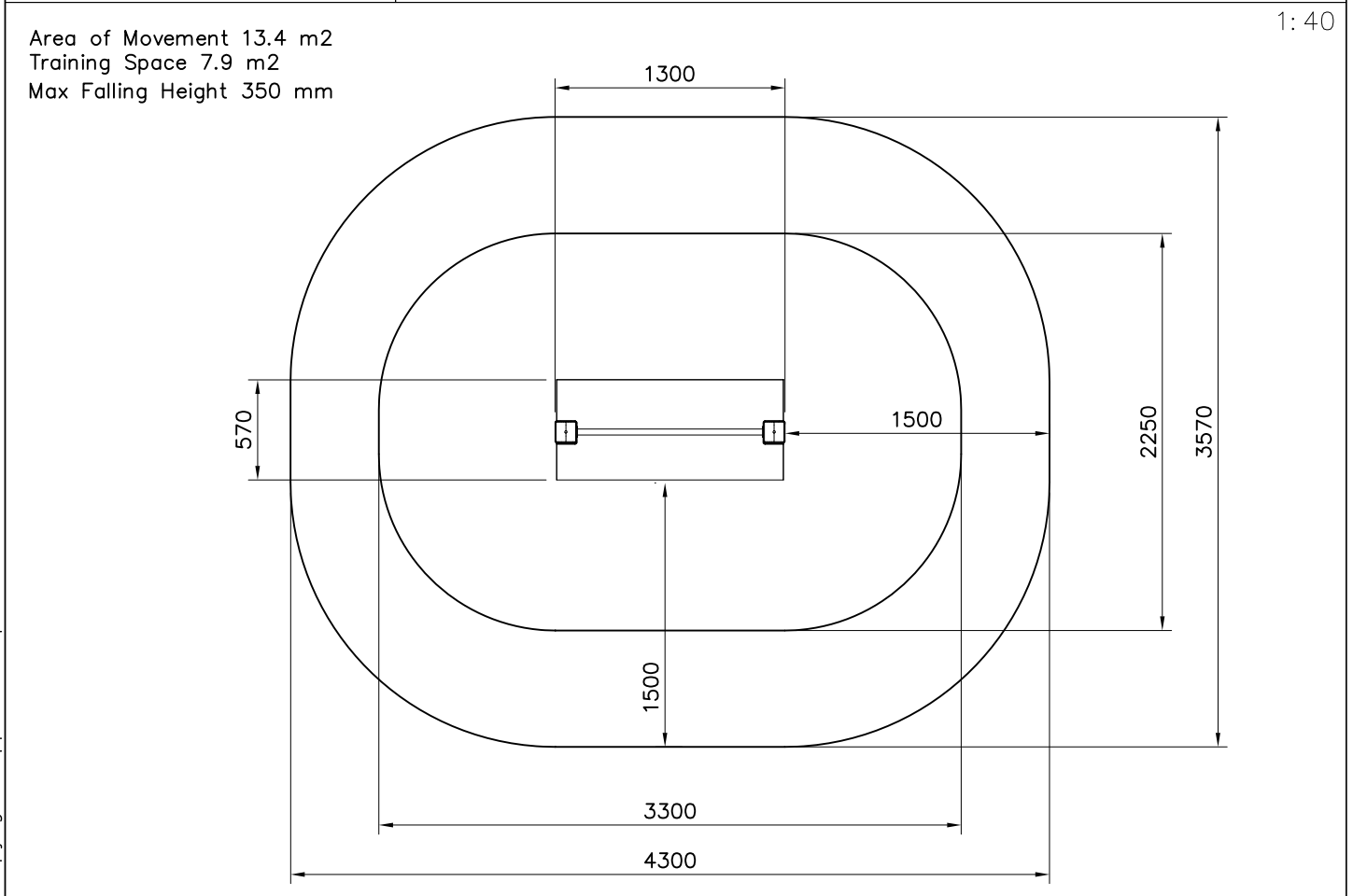
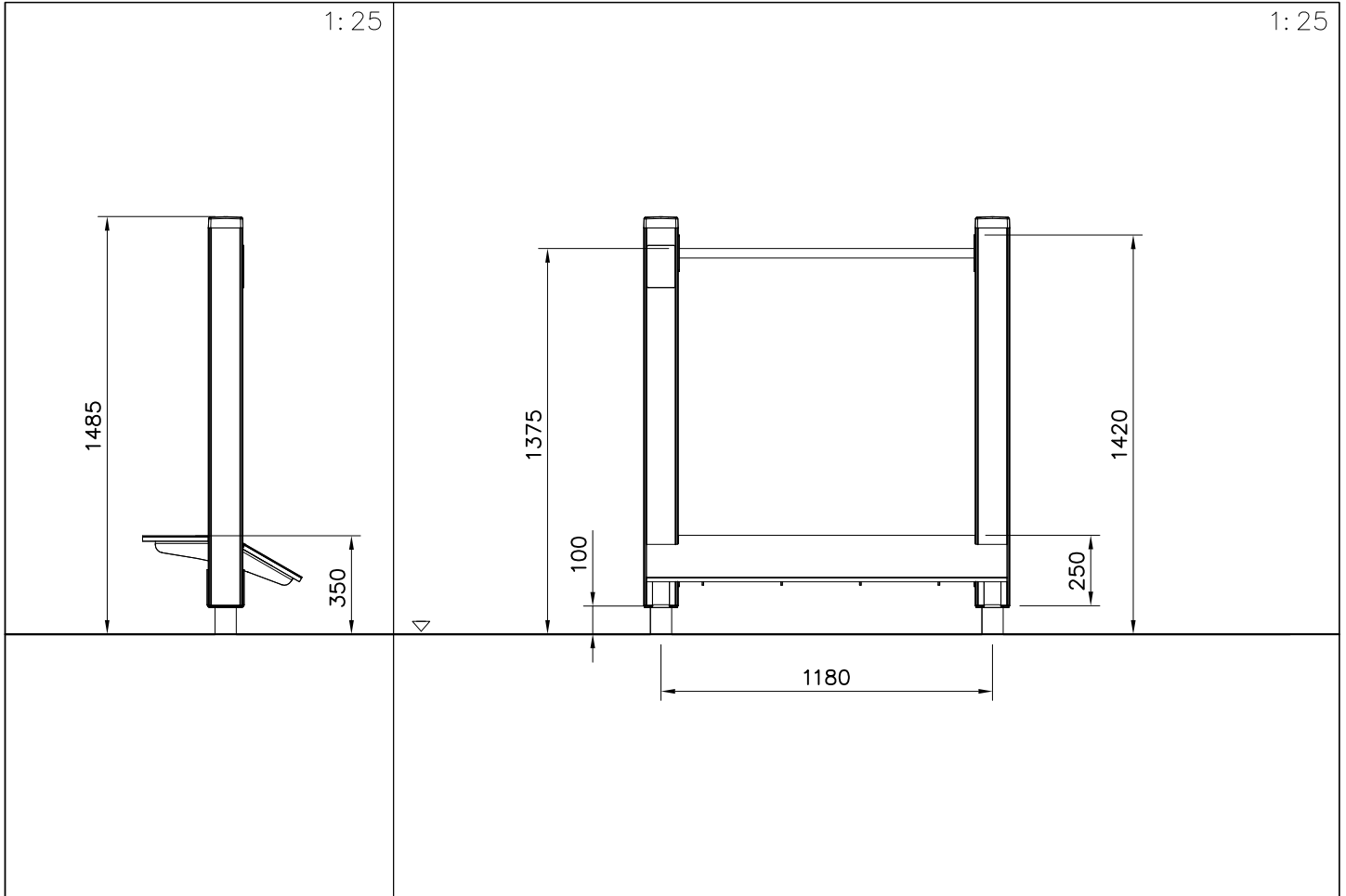
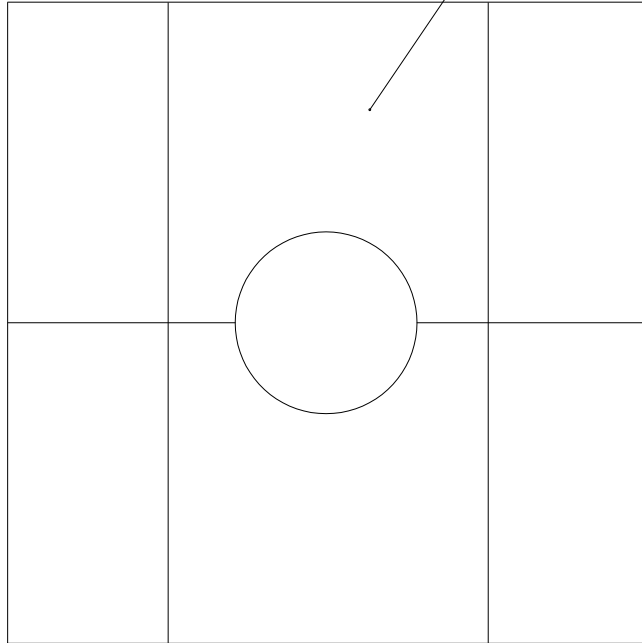


①	706056	PCS	②	704946	PCS
		1			2
				120x120x1350	
③	705585	PCS	④	980114	PCS
		2			4
	1284x298x19			Ø4x20	
⑤	905104	PCS	⑥	905761	PCS
		8			2
	M10			120x120x700	
⑦	905830	PCS	⑧	905838	PCS
		2			1
	123x123x40			1060 Lime	
⑨	906613	PCS	⑩	909256	PCS
		1			56
	1060x490x161			Ø16/8.4x1.6	
⑪	909873	PCS	⑫	980104	PCS
		16			2
	M8x40			Ø5x90	
⑬	980123	PCS	⑭	980160	PCS
		24			16
	Ø7x60			M8	
		PCS			PCS

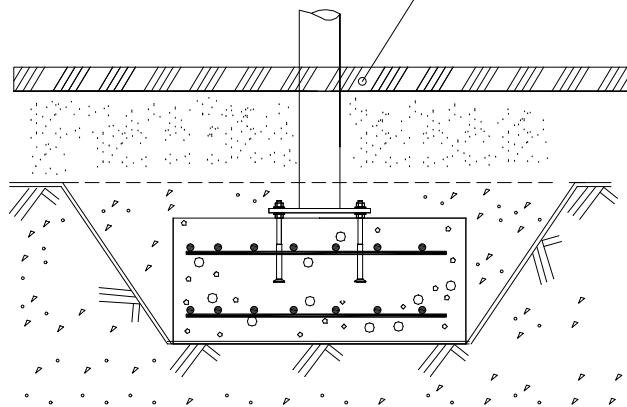


		
<p>$h < 600$</p> <p>Without movement and therefore without Impact Area</p>	<p>Totally hard surfaces.</p> <p>Note. Lappset does <u>not recommend</u> totally hard surfaces at all.</p>	<p>E.g. concrete or asphalt</p> 
<p>$h < 600$</p> <p>With movement e.g. rocking</p>	<p>Materials with very limited impact attenuating properties.</p>	<p>E.g. wood</p> 
<p>$h < 1000$</p>	<p>Materials with significant impact attenuating properties.</p>	<p>fine gravel 0–8 mm</p>  <p>grass</p>  <p>unsorted sand</p> 
<p>$h < 3000$</p>	<p>Loose fill material</p> <p>E.g. sand/gravel 0,25...8 mm D60/D10<3,0 Woodchips 5...30 mm bark 20...80 mm</p>	 <p>\underline{S} \underline{h}</p> <p>30 cm < 2,0 m</p> <p>40 cm < 3,0 m</p>
	<p>Syntethic granulates</p> <p>\underline{S} \underline{h}</p> <p>40 mm ~> 1,2...1,3 m</p> <p>50 mm ~> 1,5...1,7 m</p> <p>60 mm ~> 1,8...2,0 m</p> <p>70 mm ~> 2,1...2,5 m</p> <p>Note. For accurate values, see manufacturer's instructions.</p>	

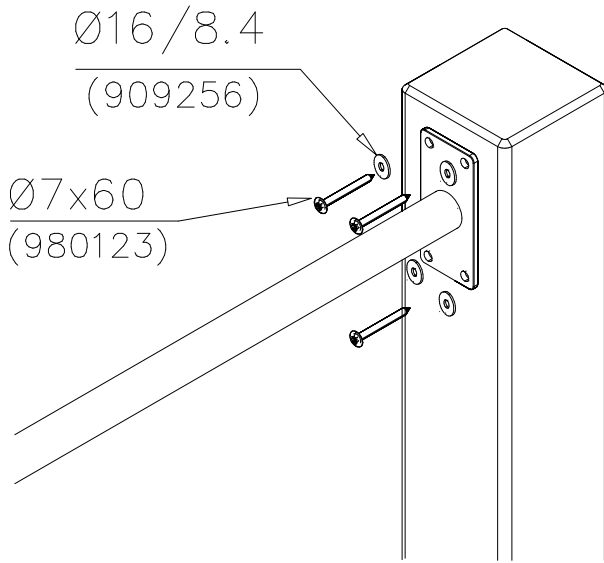
REMOVE SAFETY SURFACE/SAND/GRAVEL
TO CHECK FOUNDATION



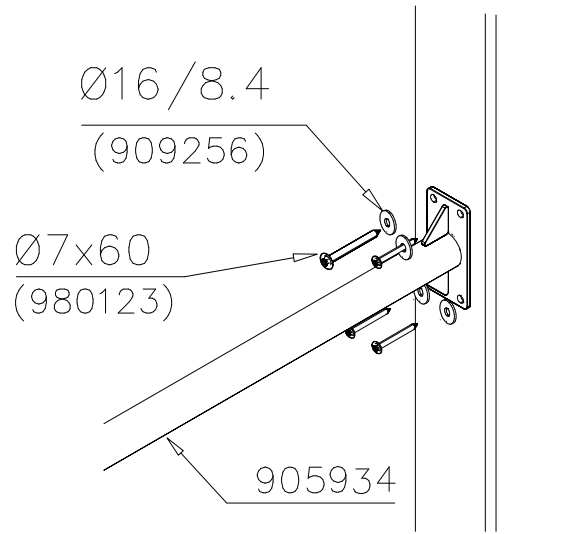
REMOVE SAFETY SURFACE/SAND/GRAVEL
TO CHECK FOUNDATION



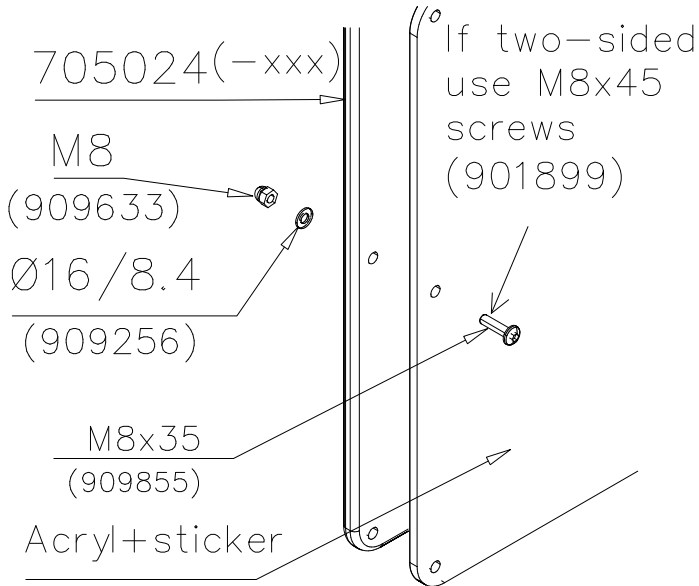
DET 1



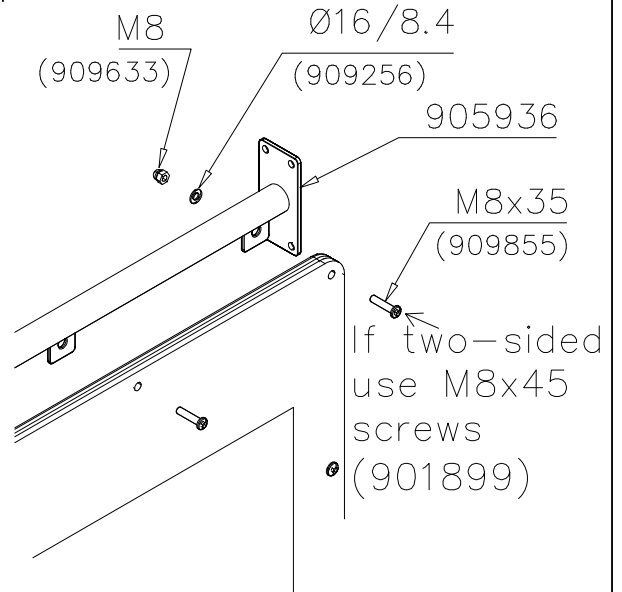
DET 2



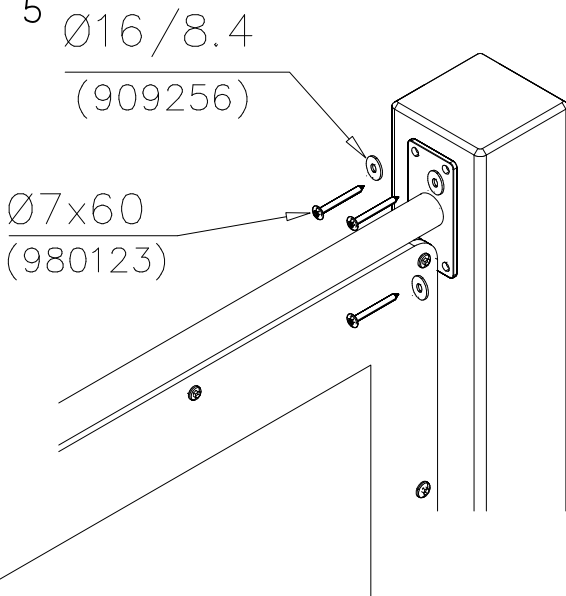
DET 3



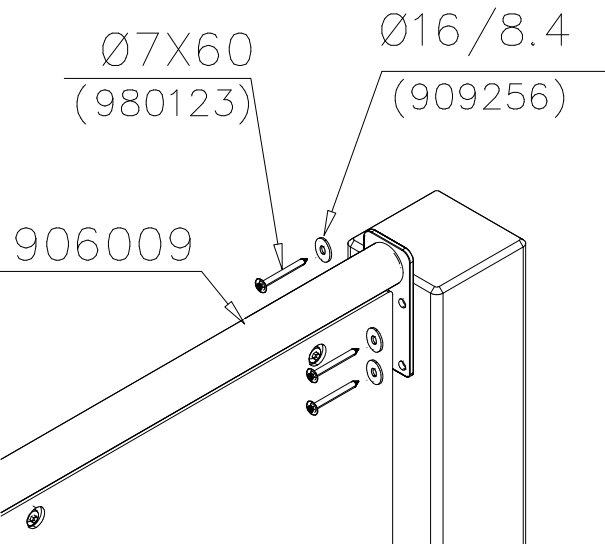
DET 4

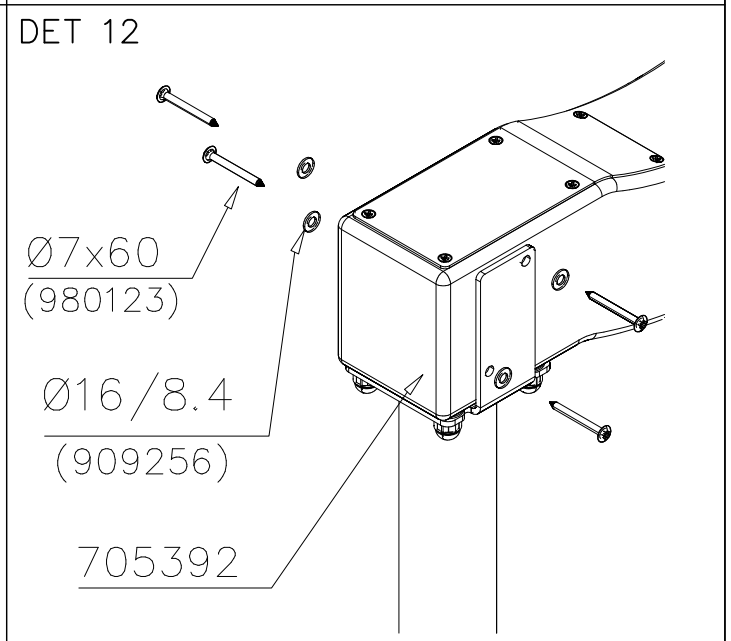
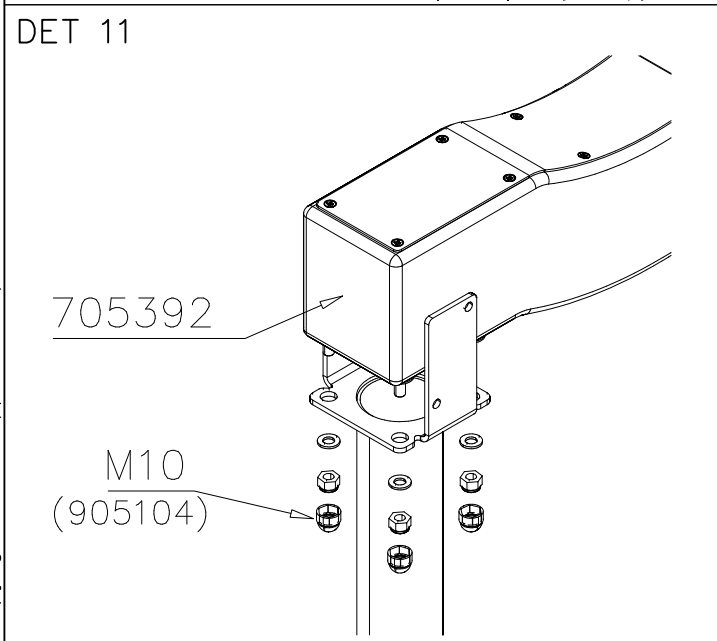
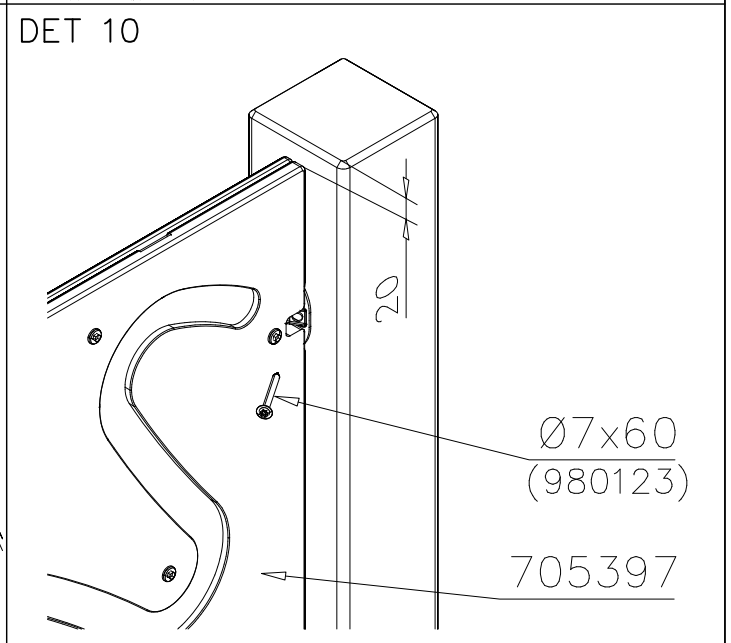
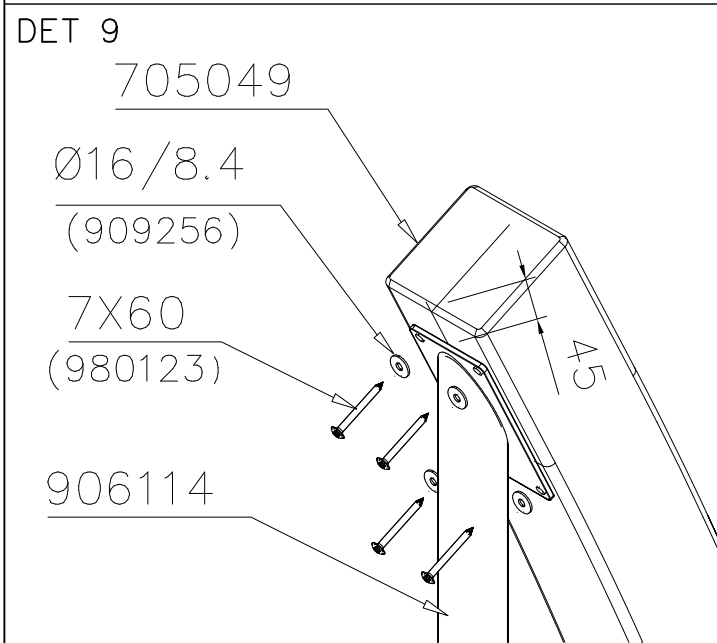
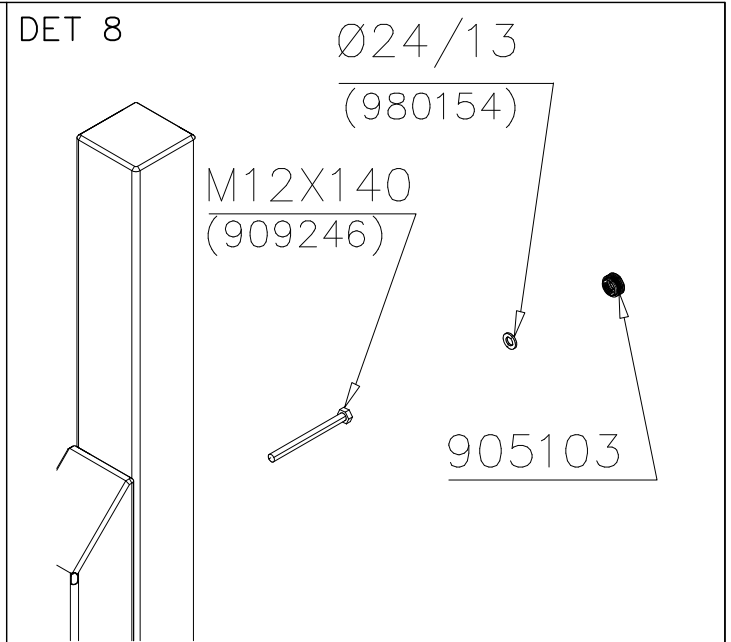
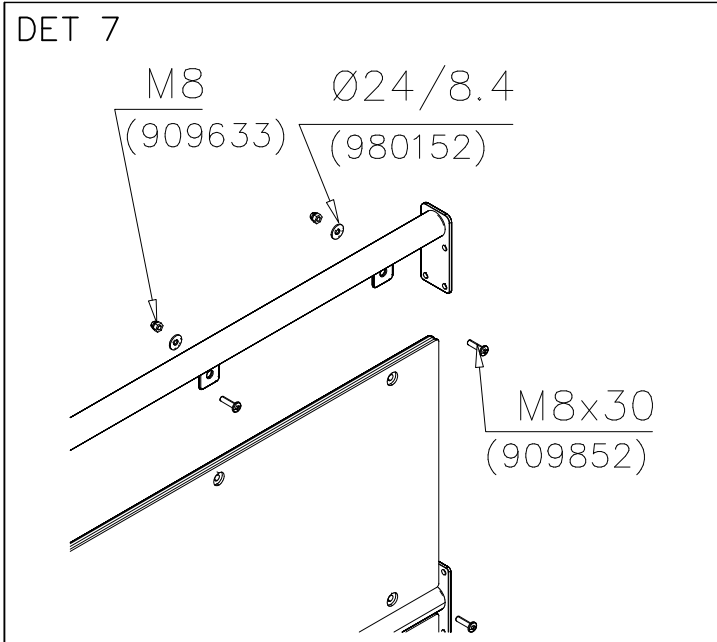


DET 5

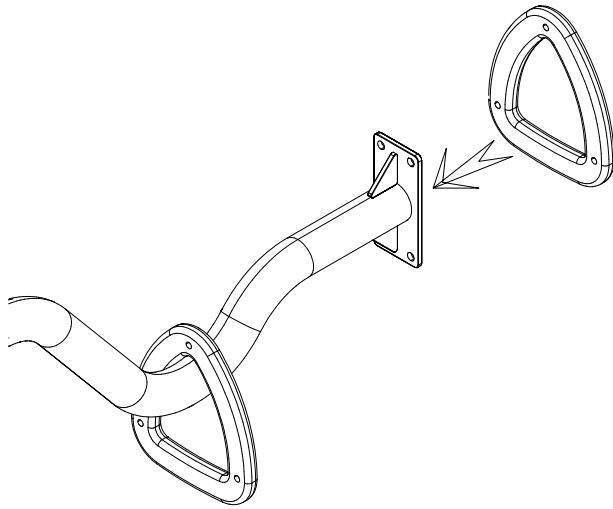


DET 6

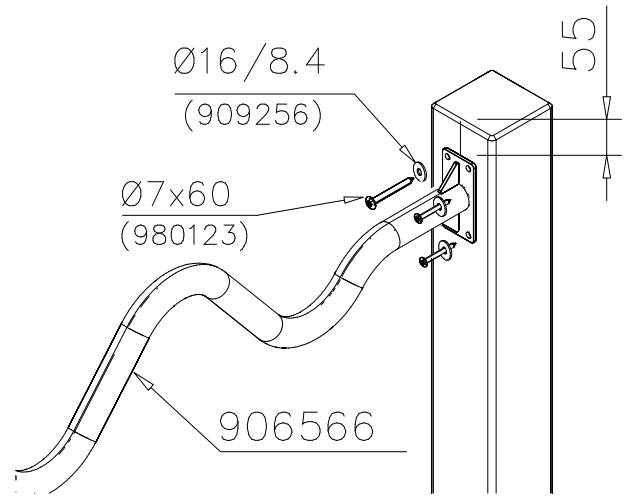




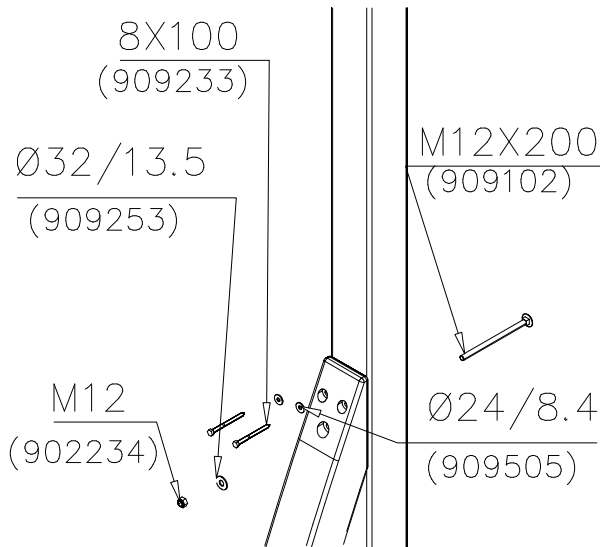
DET 13



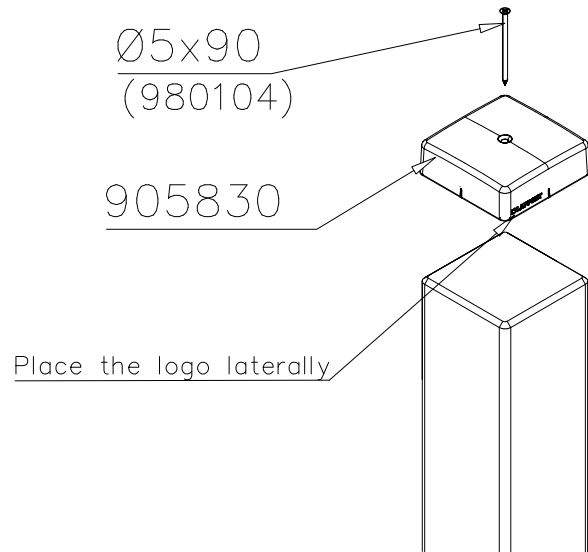
DET 14



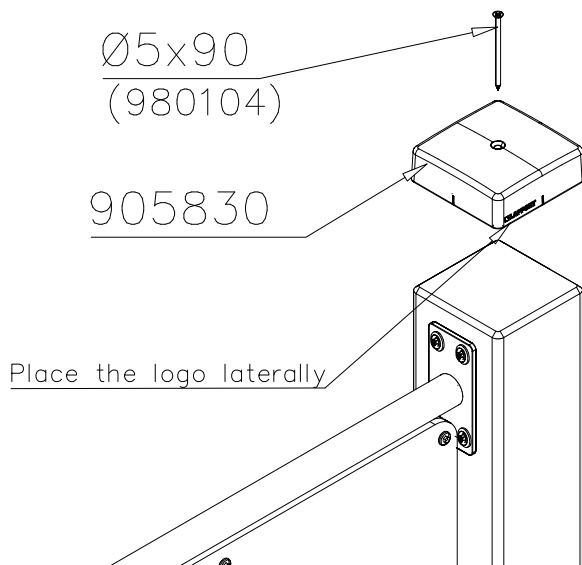
DET 15



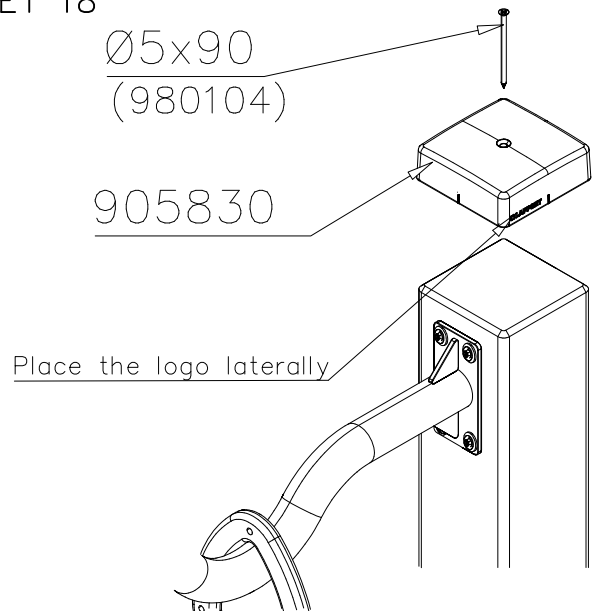
DET 16

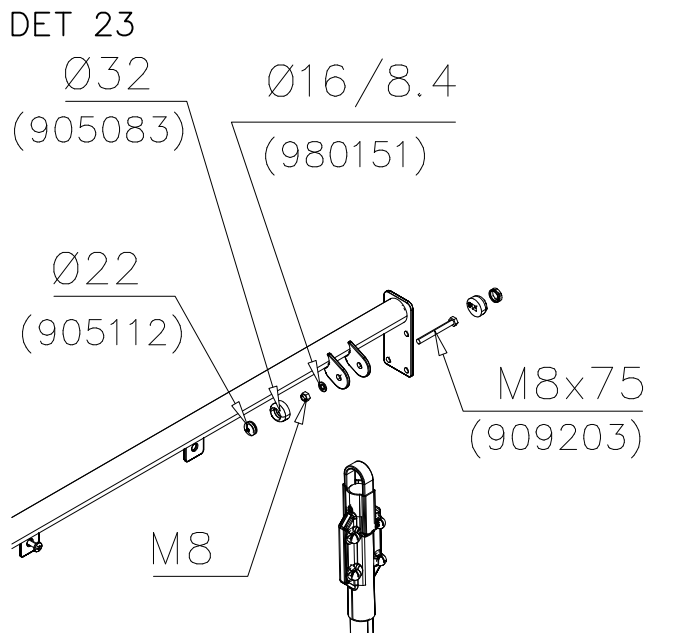
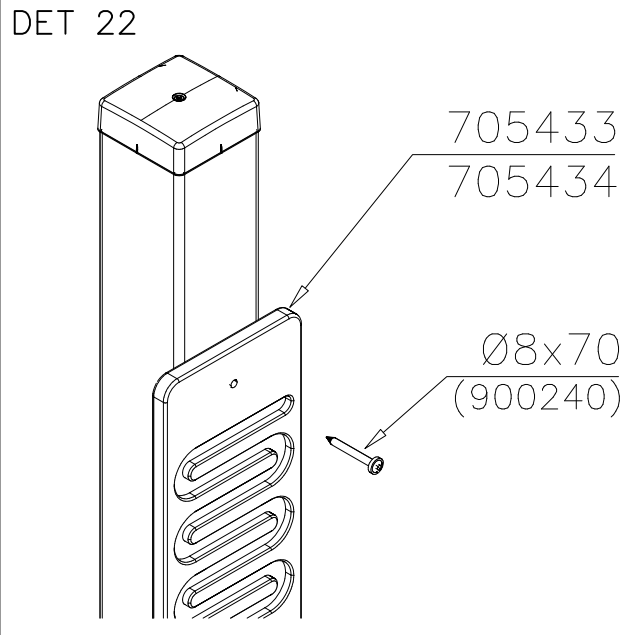
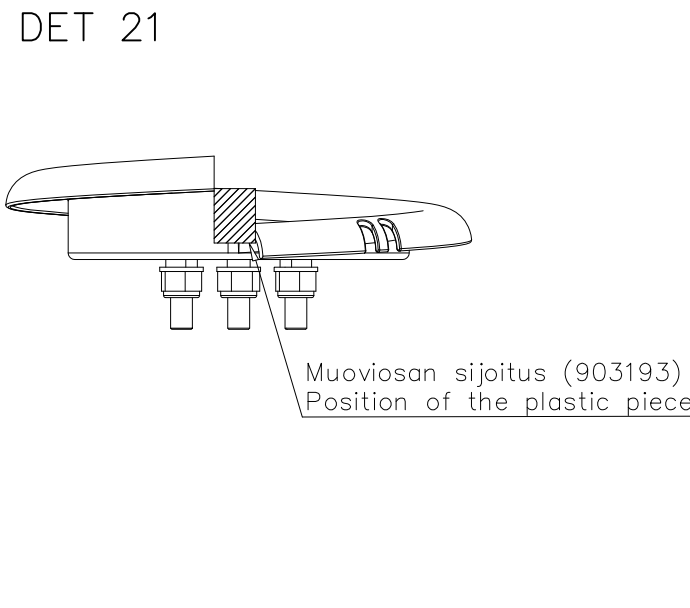
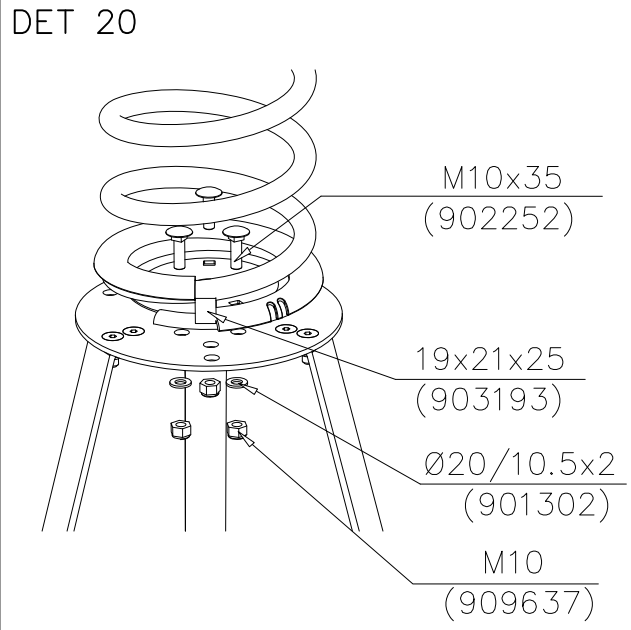
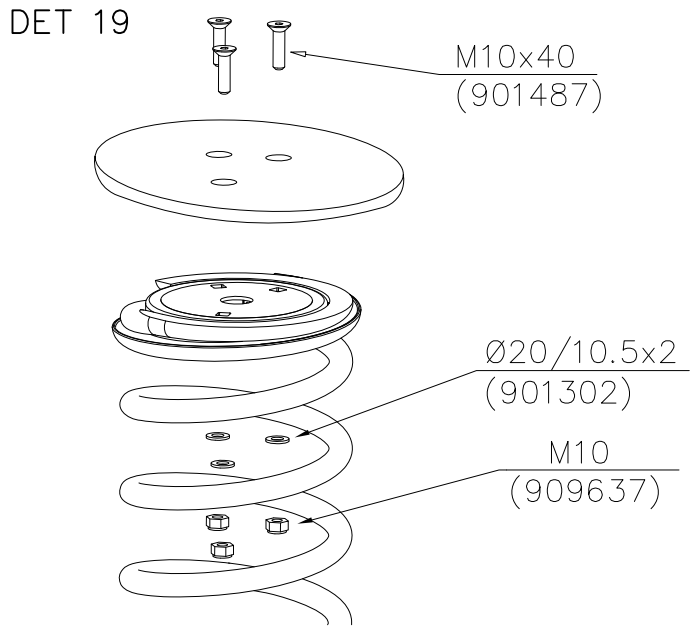


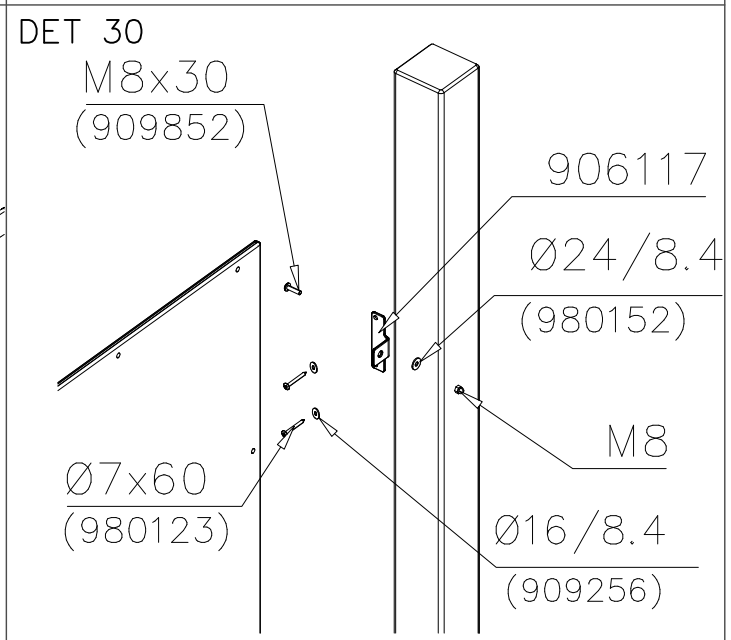
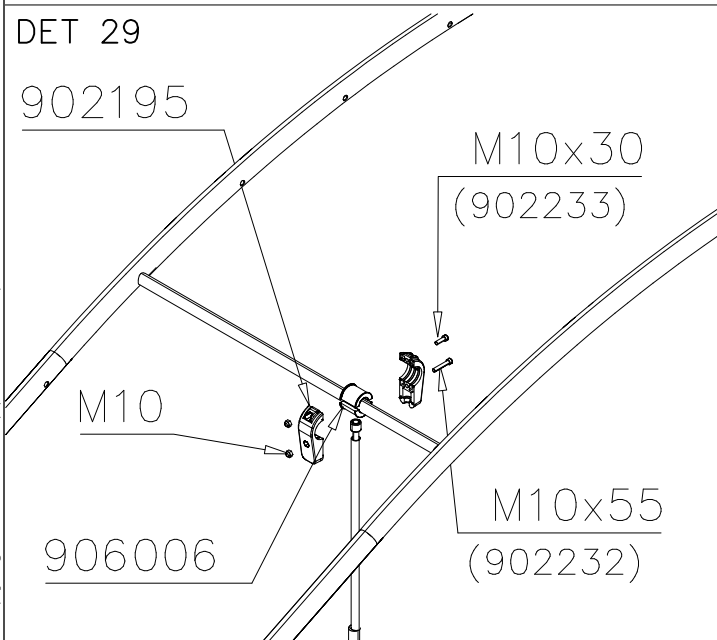
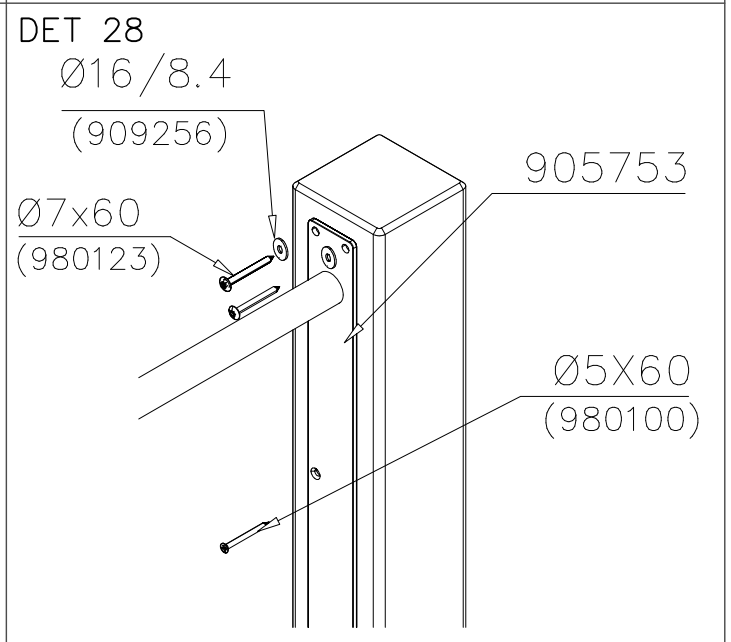
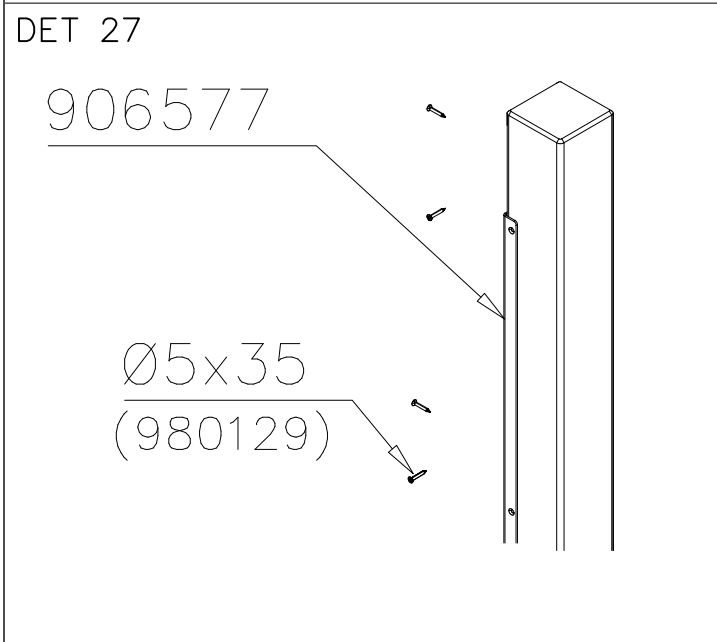
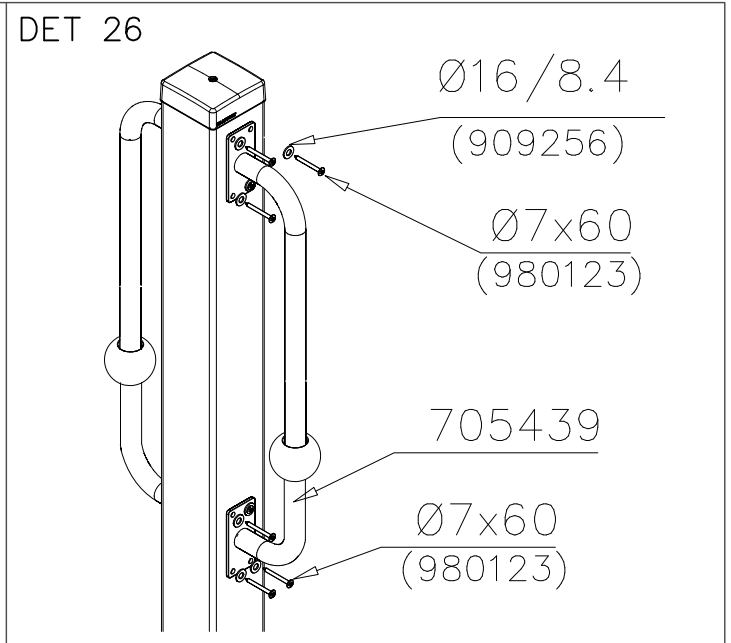
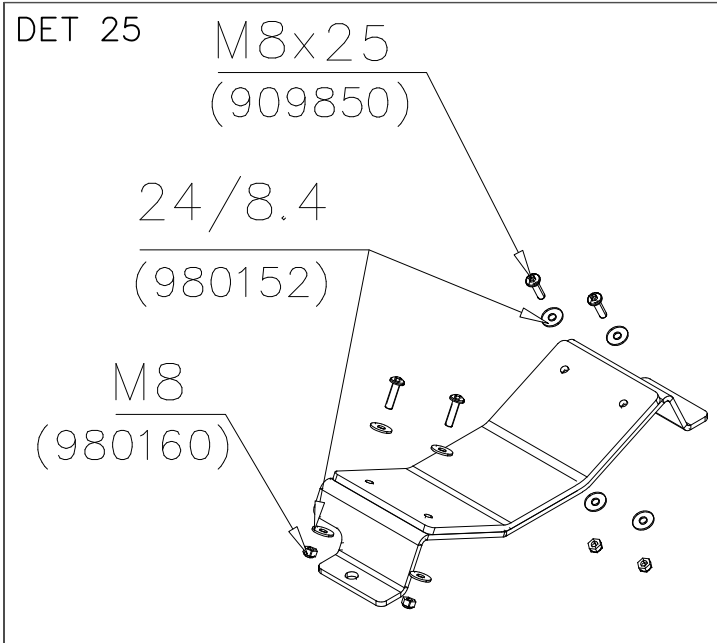
DET 17



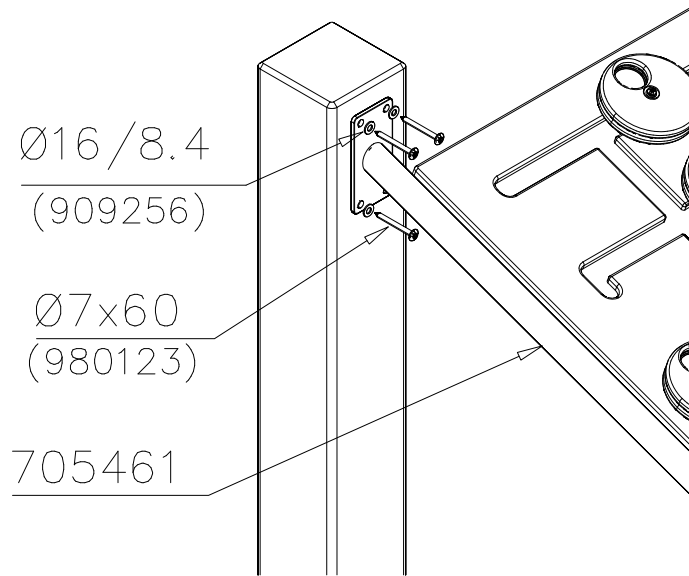
DET 18



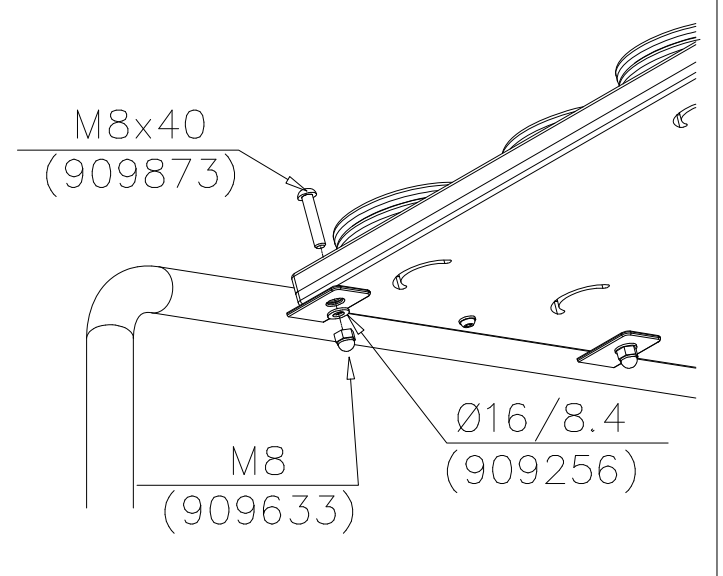




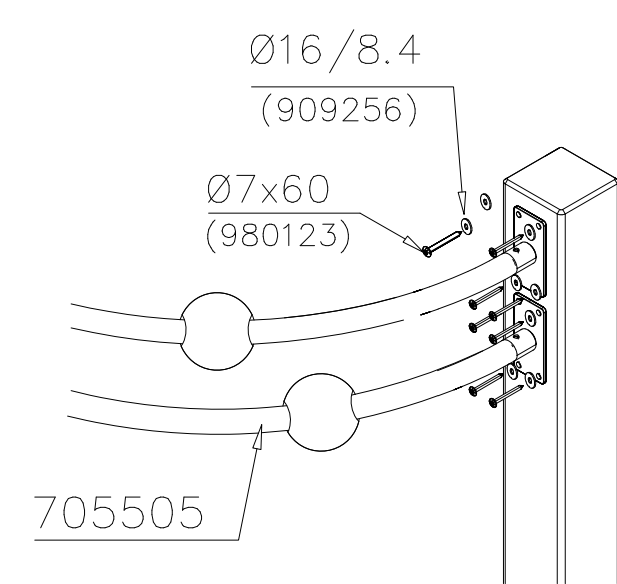
DET 31



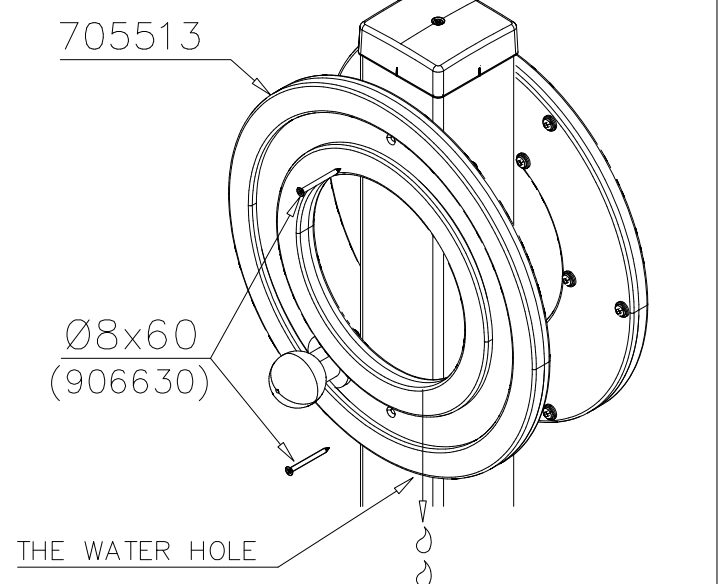
DET 32



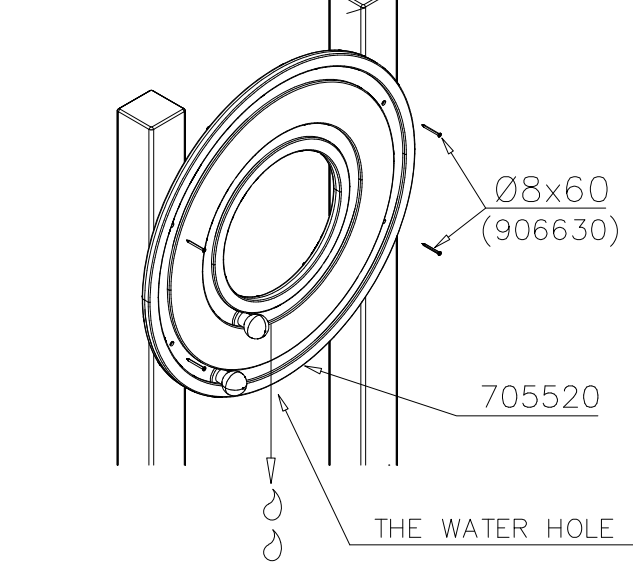
DET 33



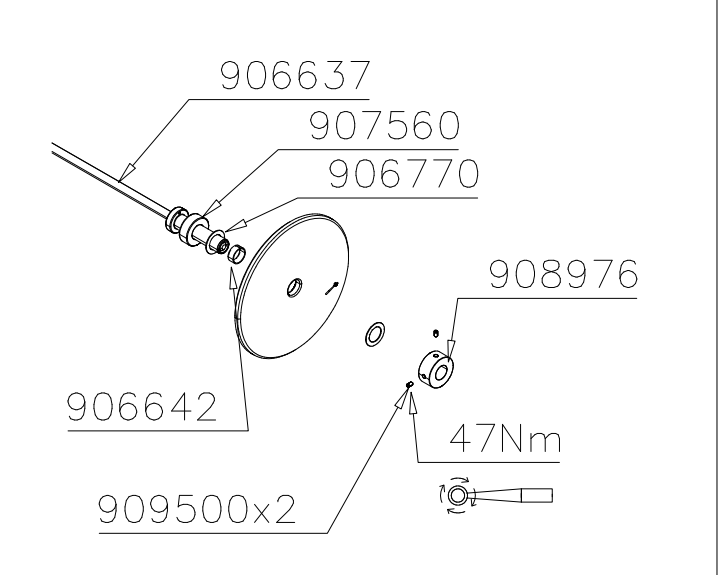
DET 34



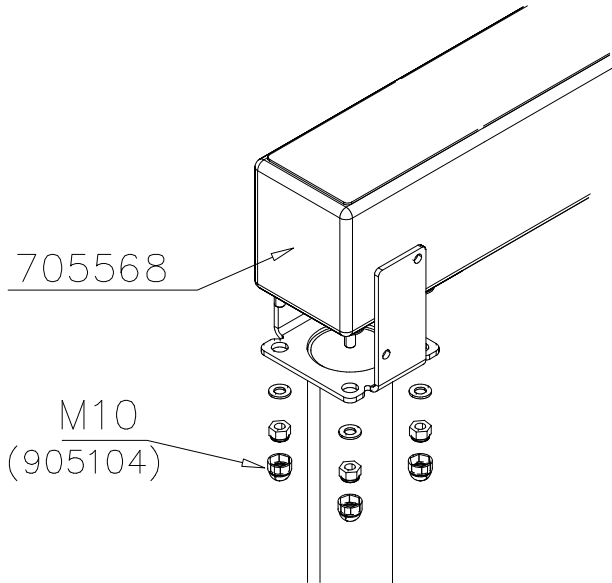
DET 35



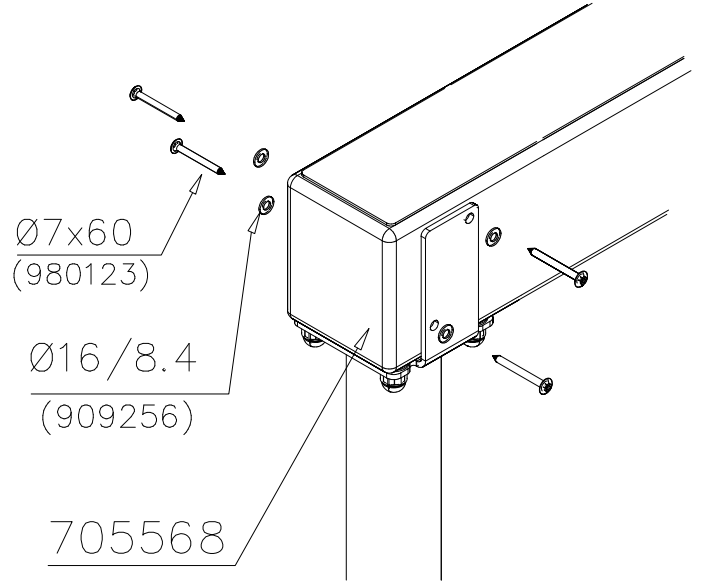
DET 36



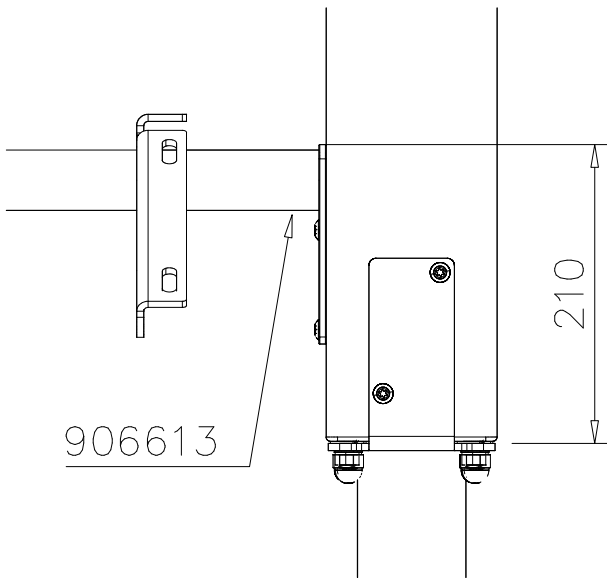
DET 37



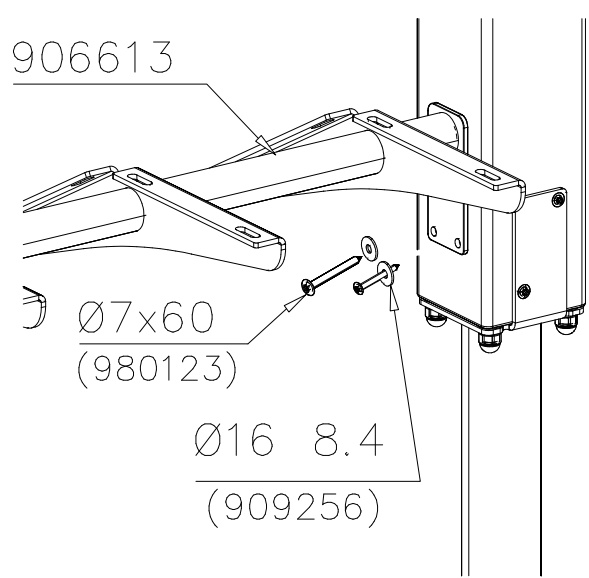
DET 38



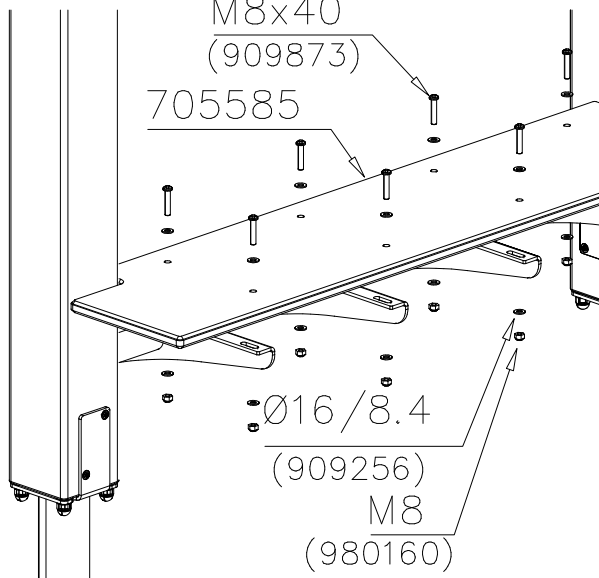
DET 39



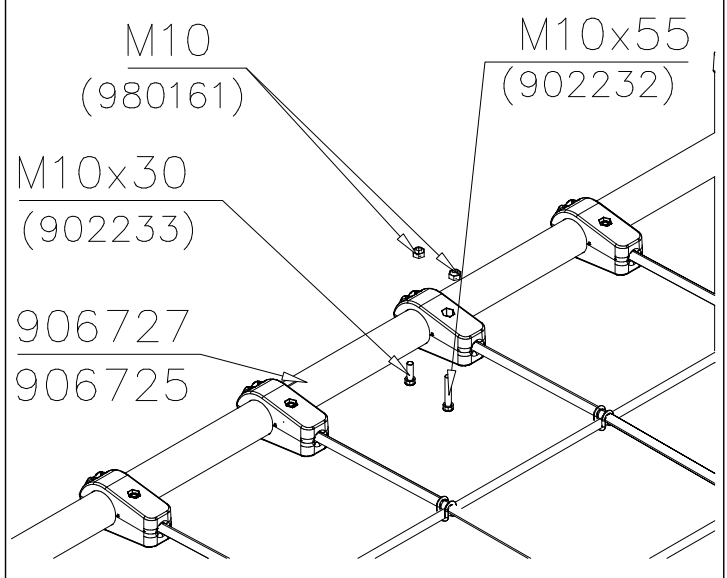
DET 40

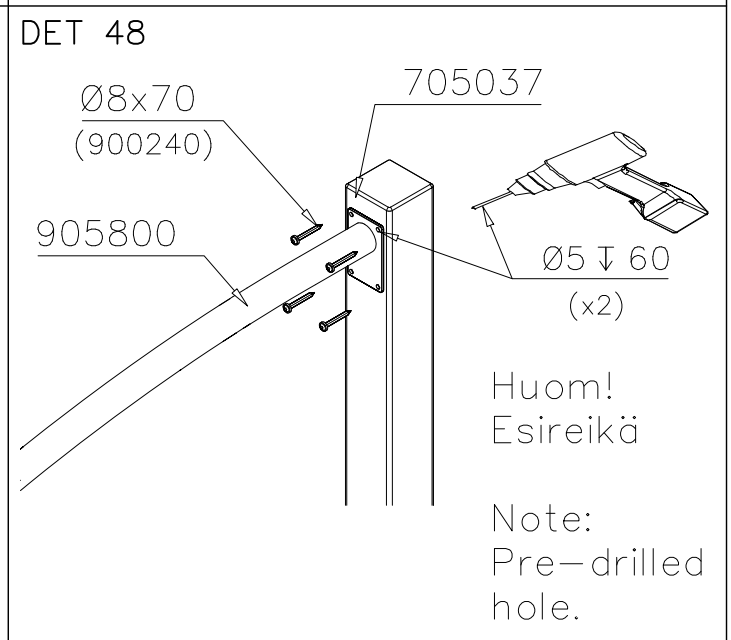
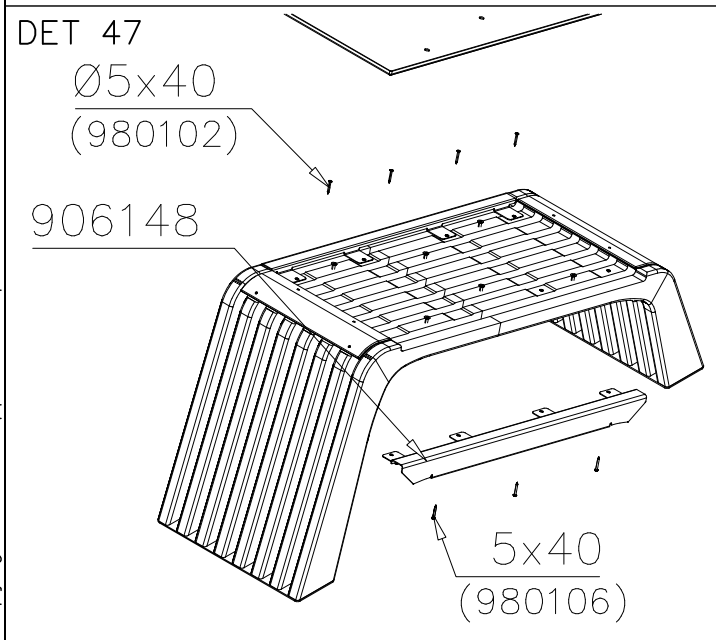
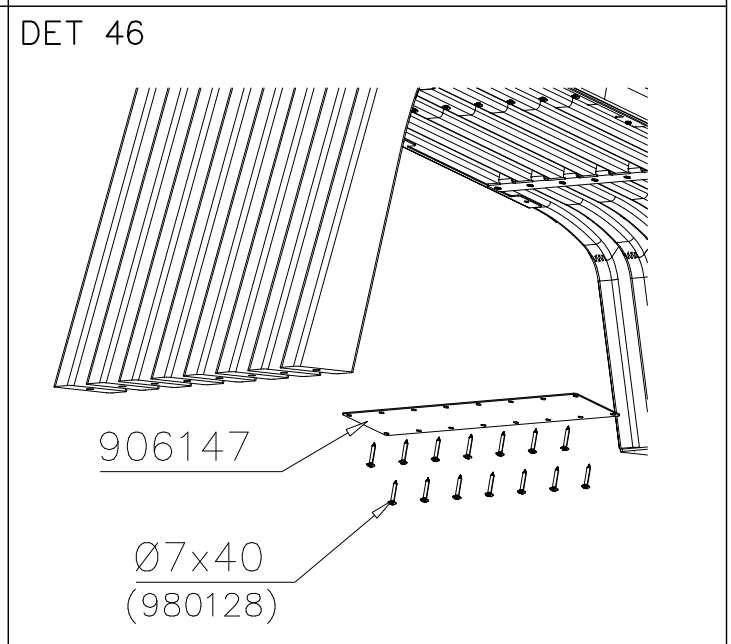
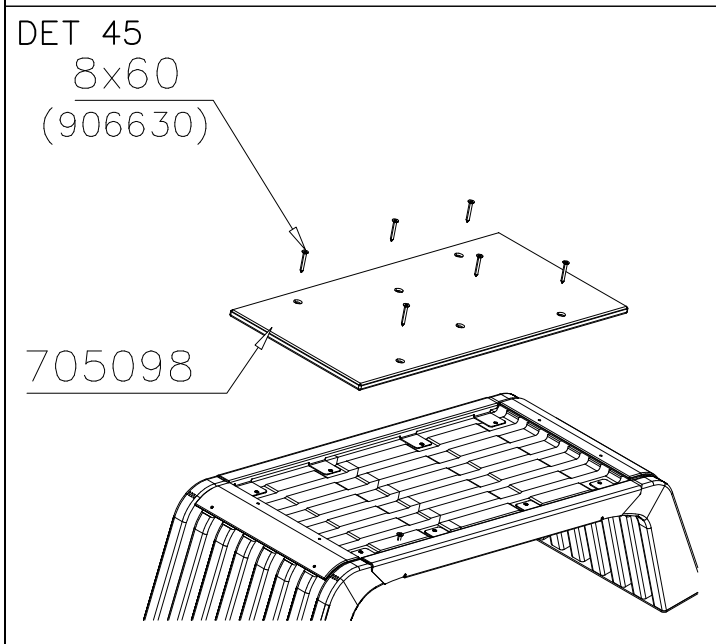
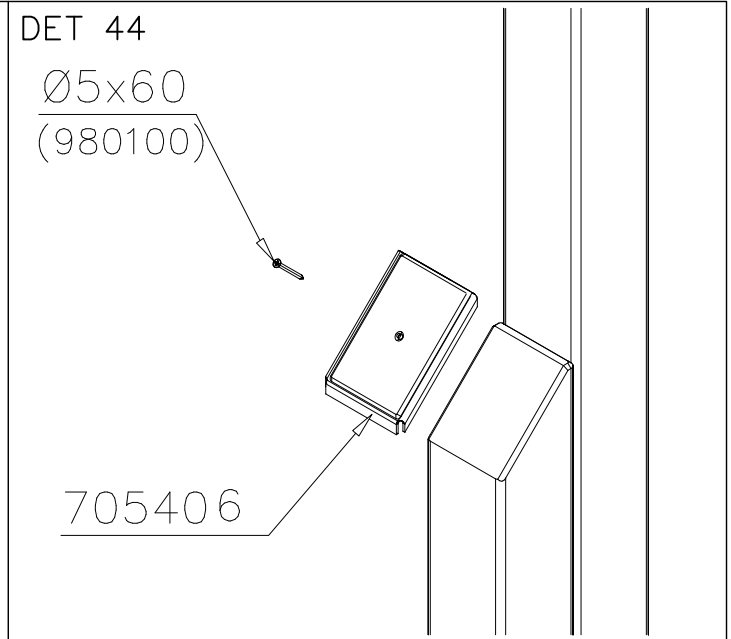
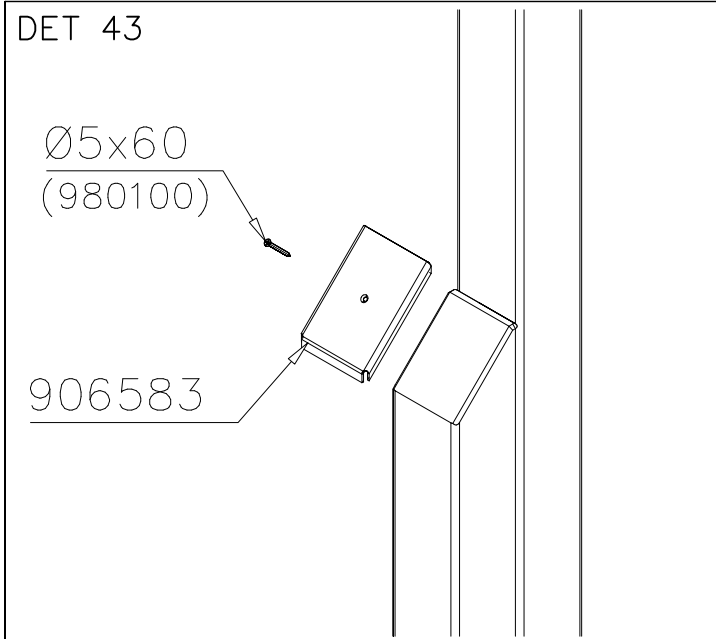


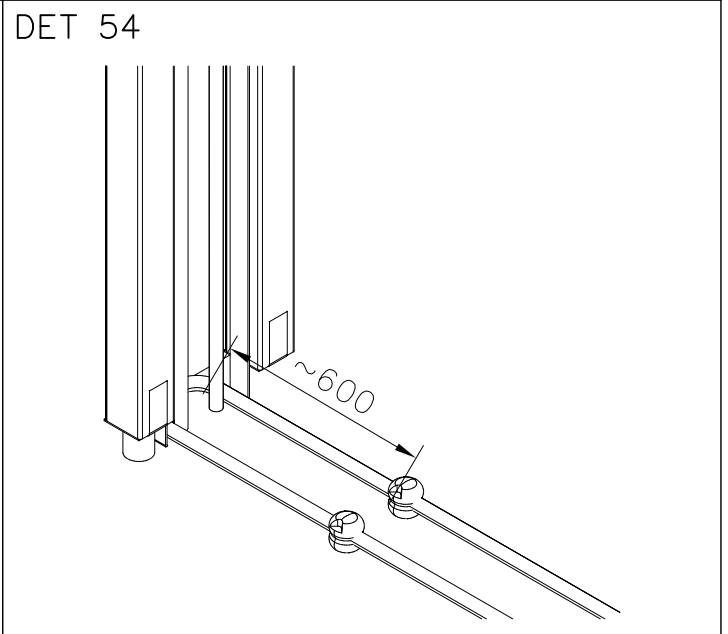
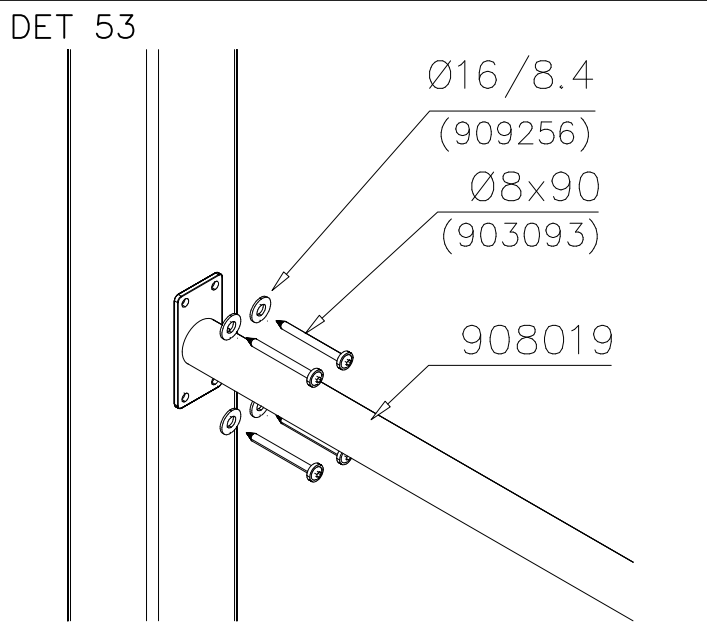
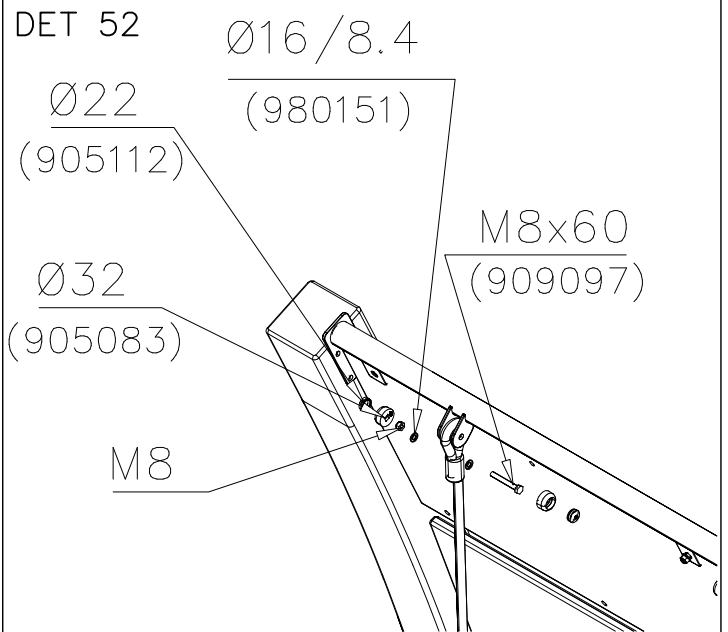
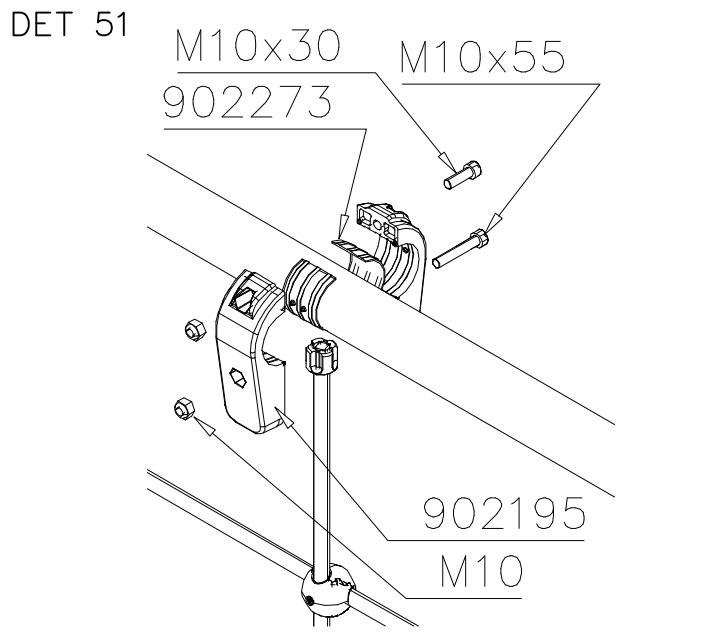
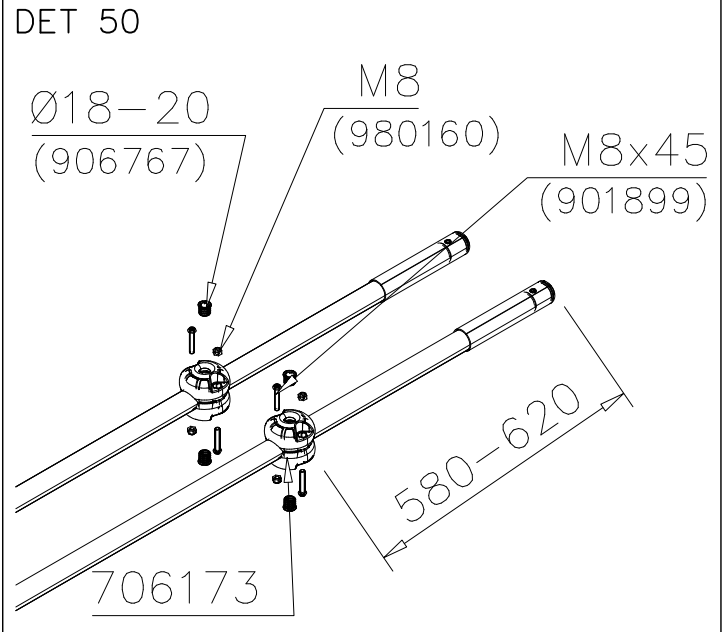
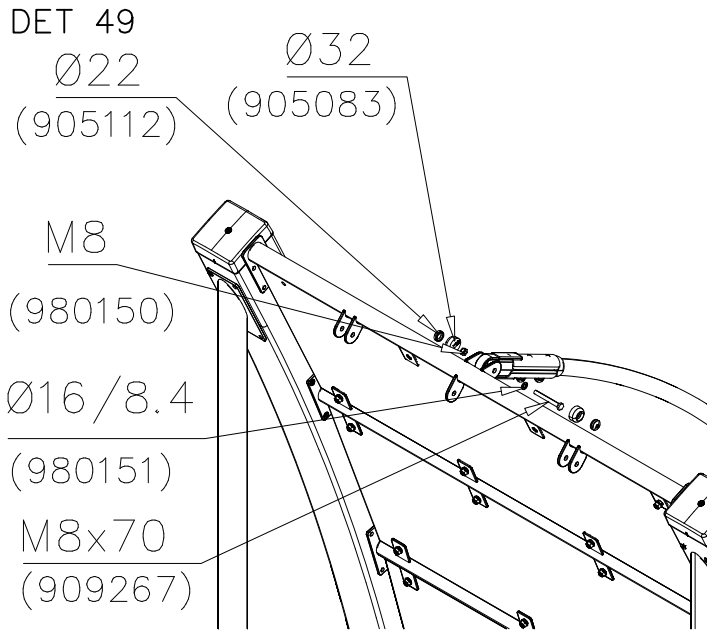
DET 41



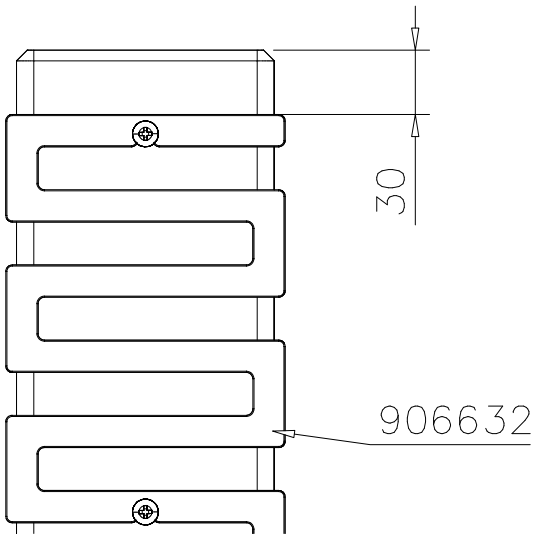
DET 42



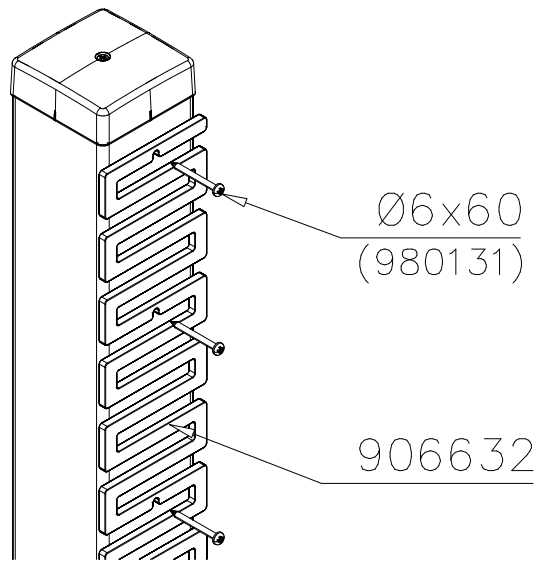




DET 55



DET 56



DET 57

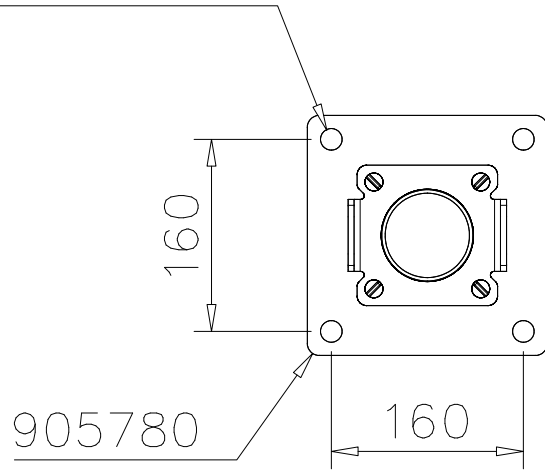
DET 58

DET 59

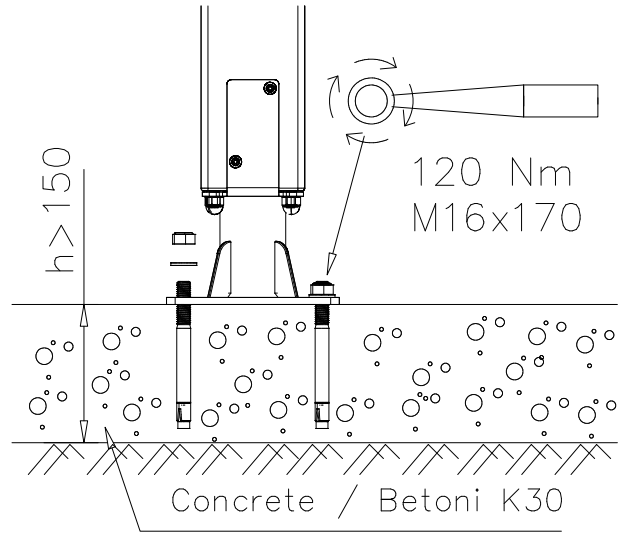
DET 60

DET 1

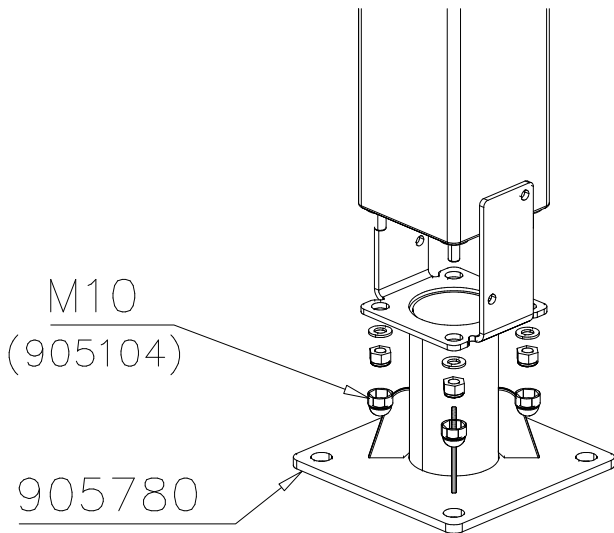
$\varnothing 16 \downarrow > 130$



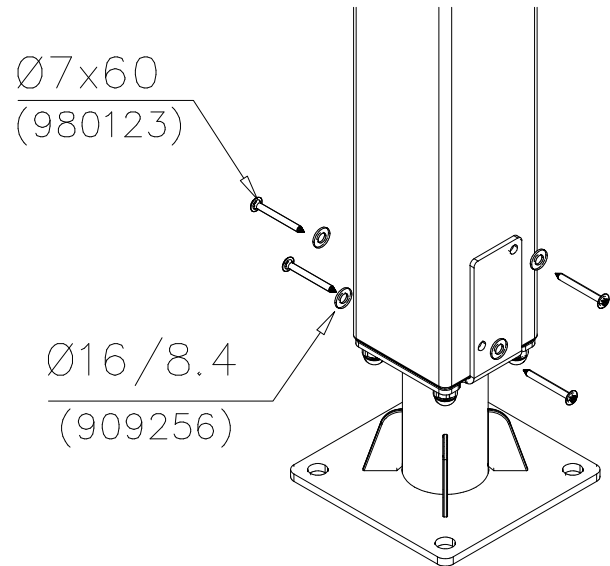
DET 2



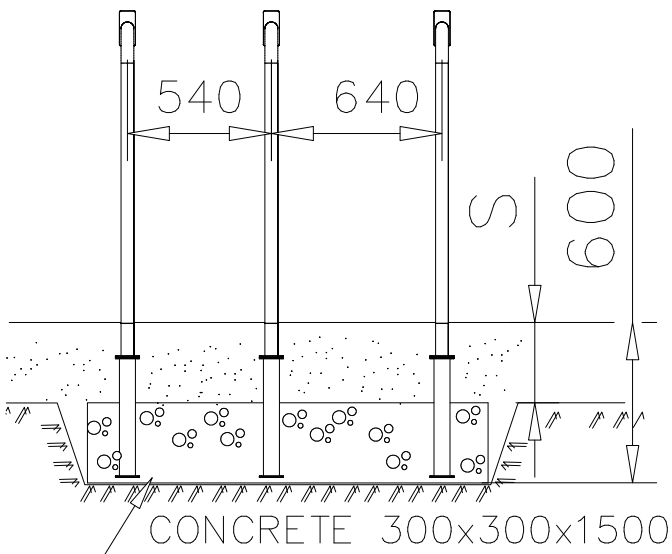
DET 3



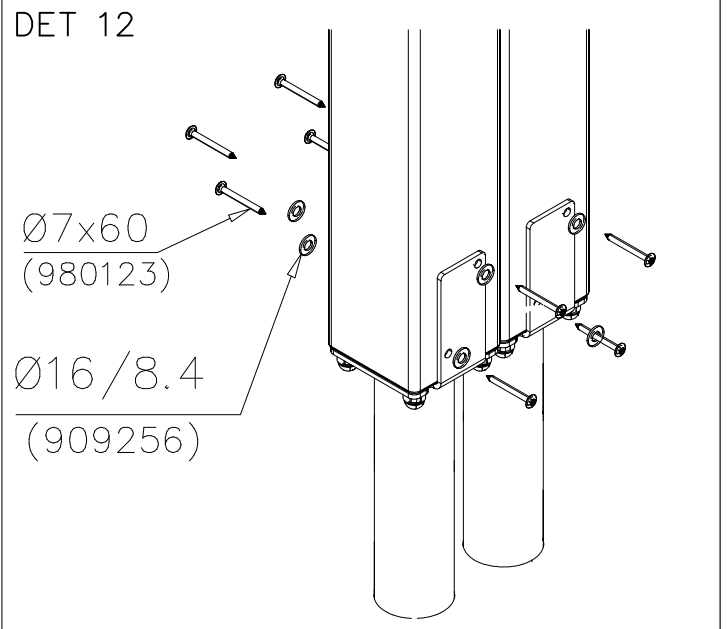
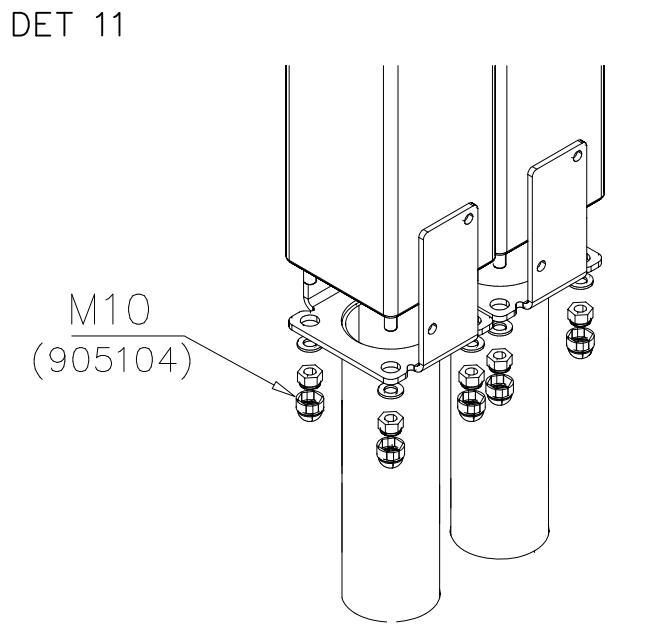
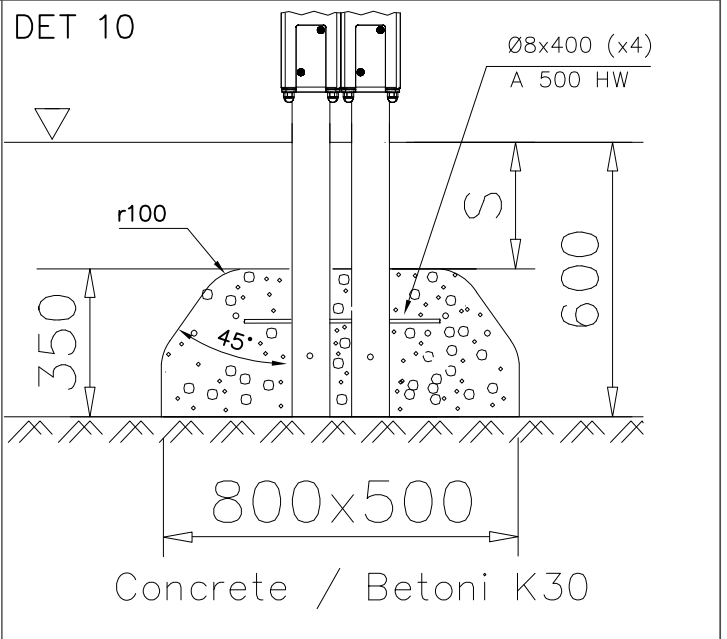
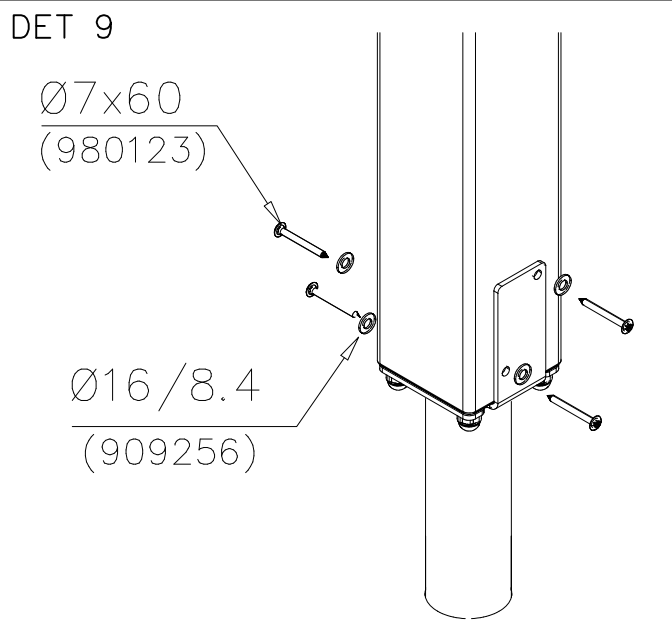
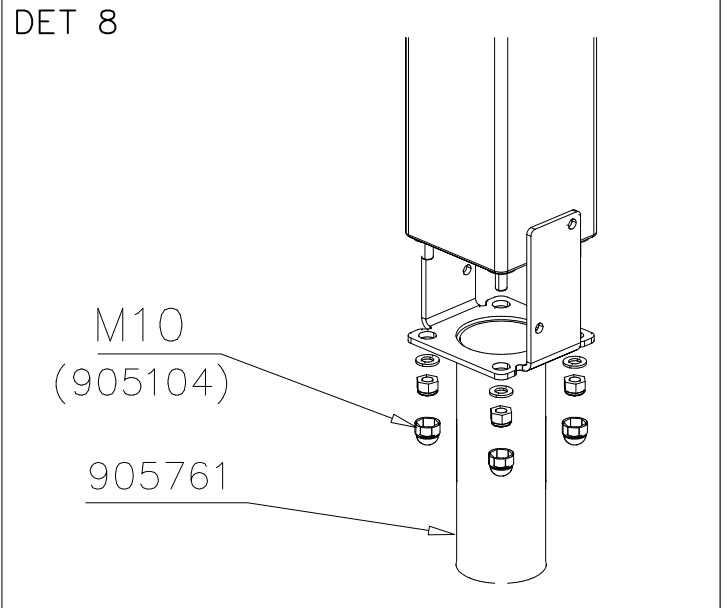
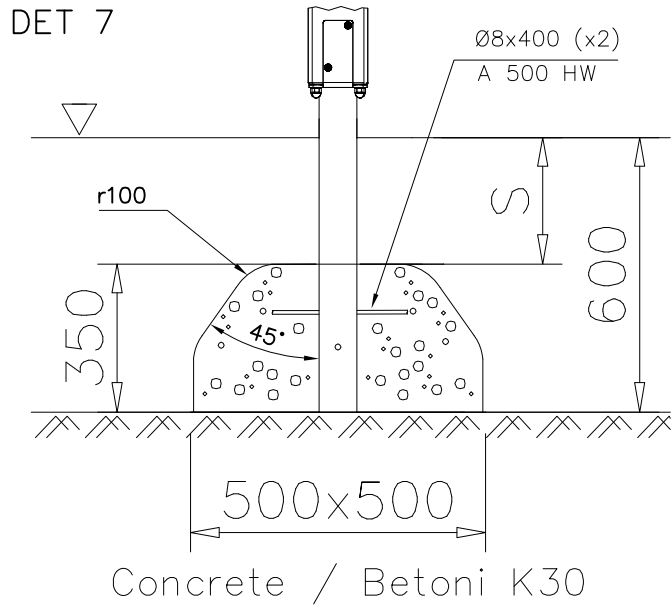
DET 4



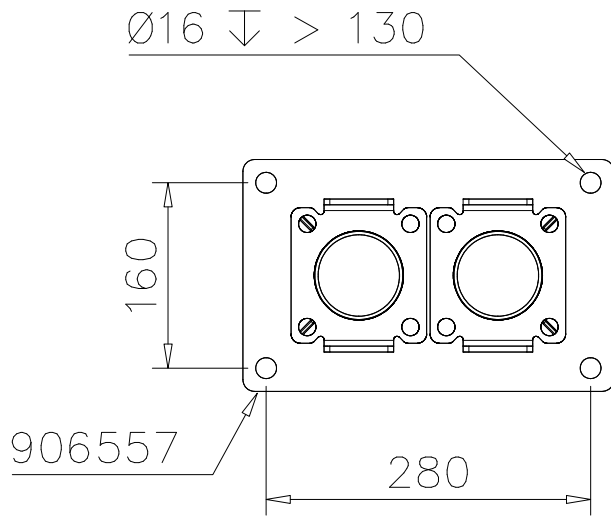
DET 5



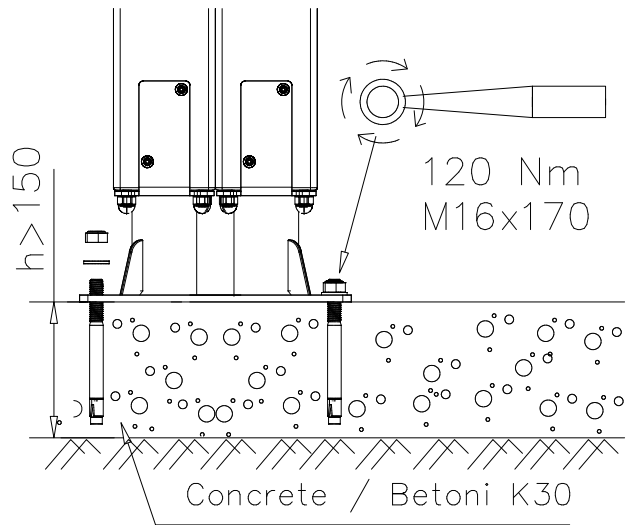
DET 6



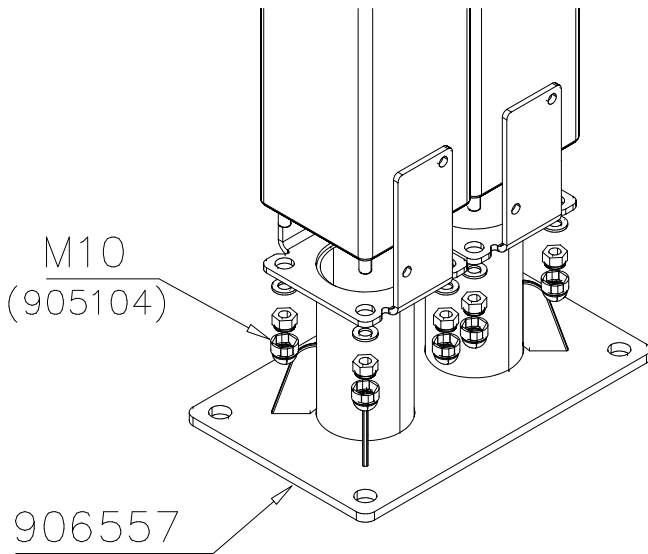
DET 13



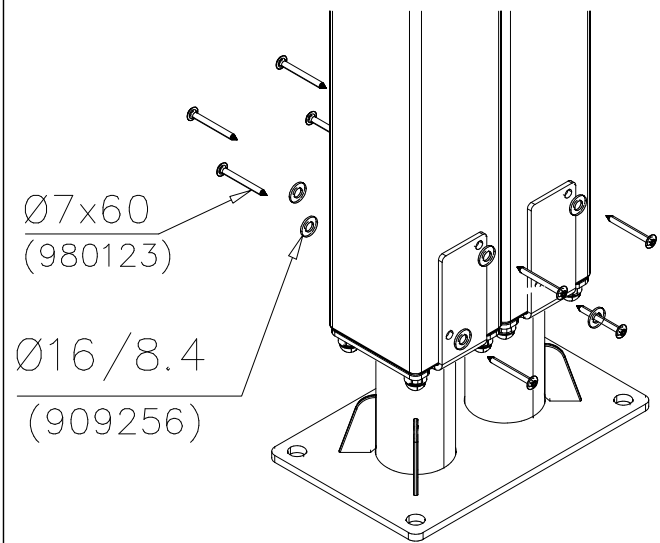
DET 14



DET 15

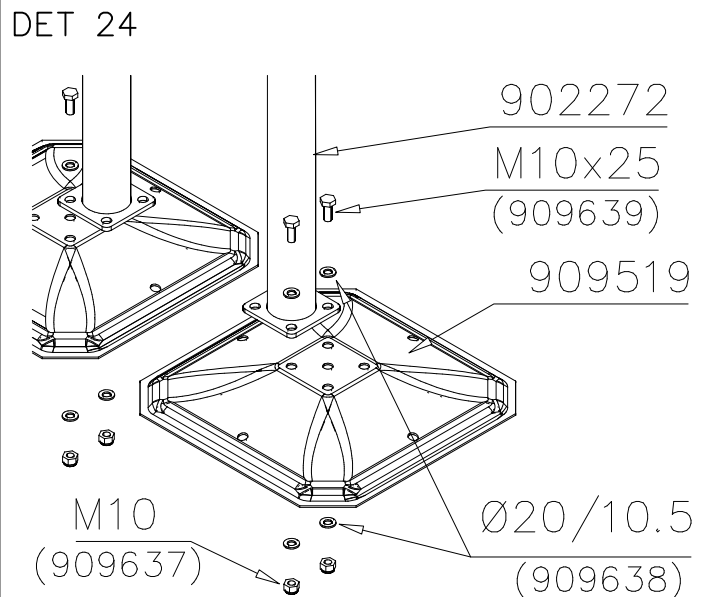
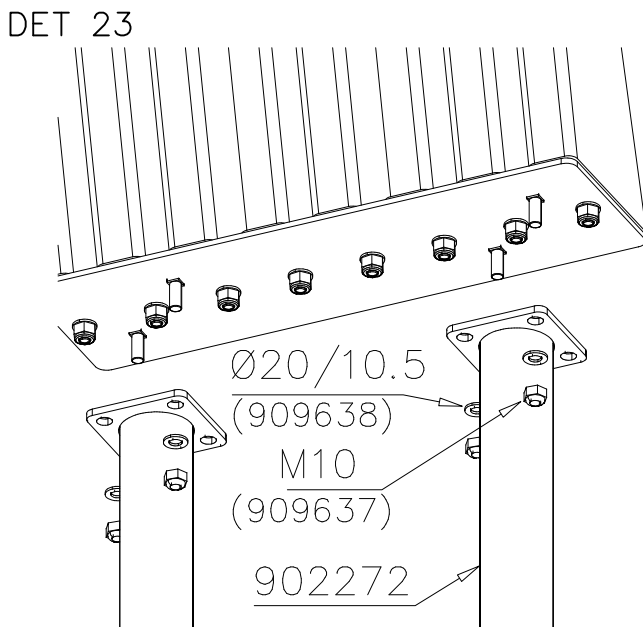
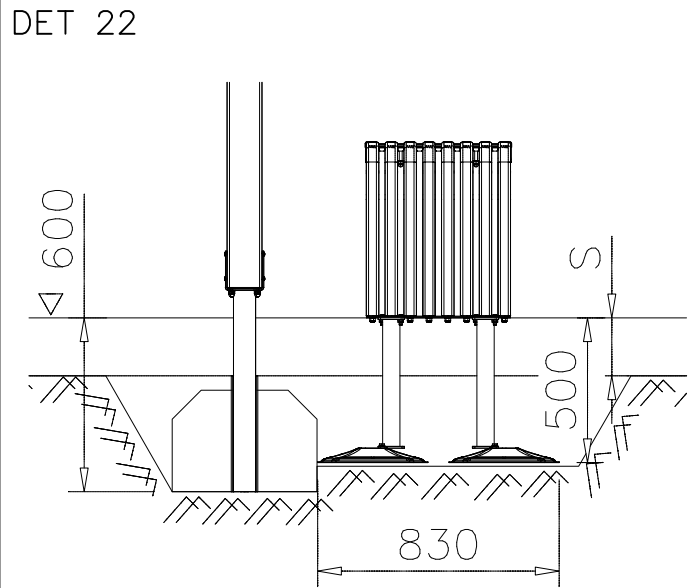
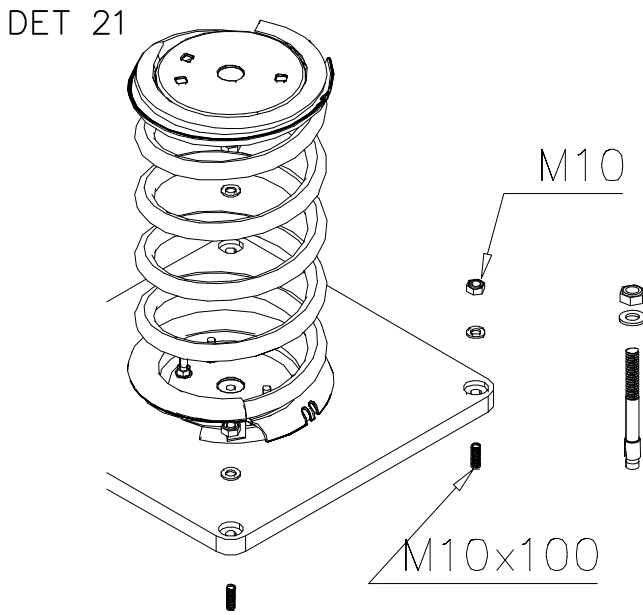
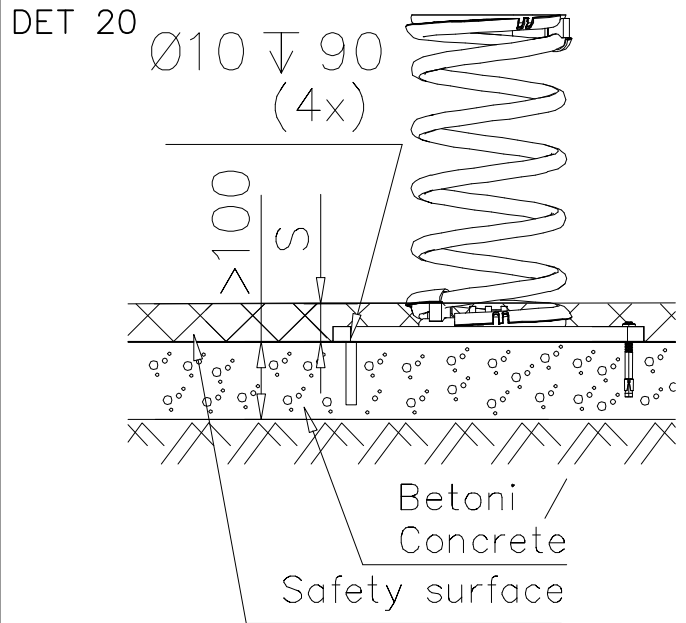
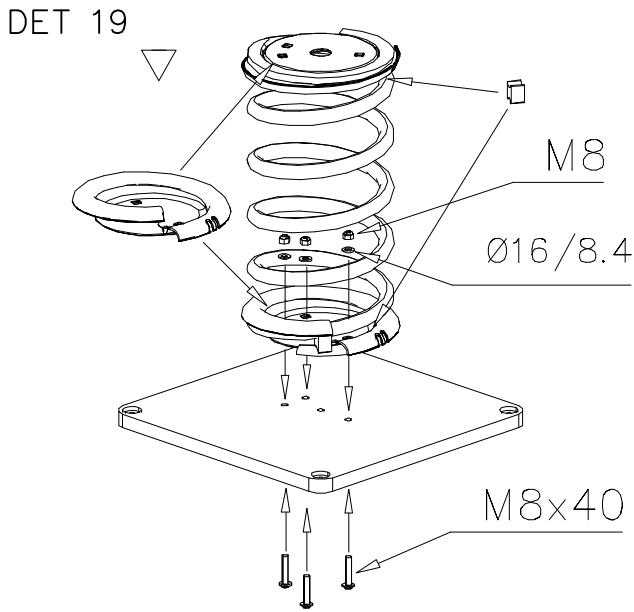


DET 16



DET 17

DET 18

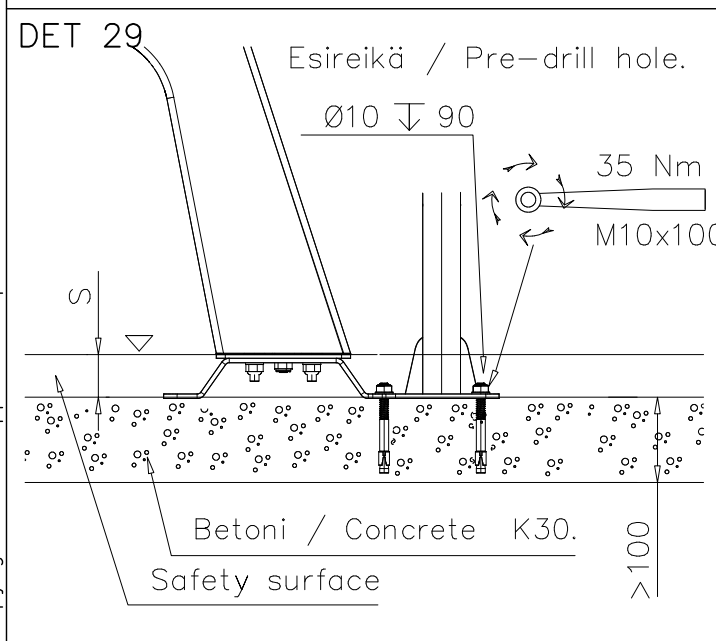
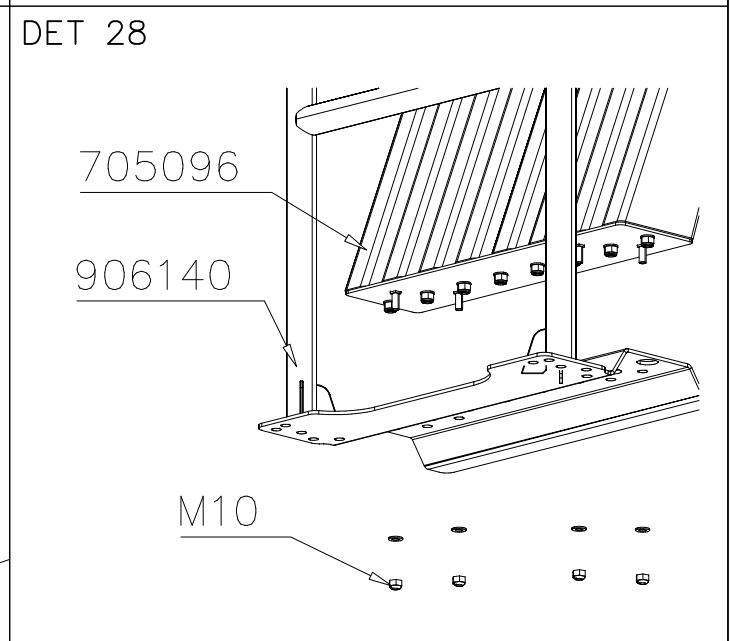
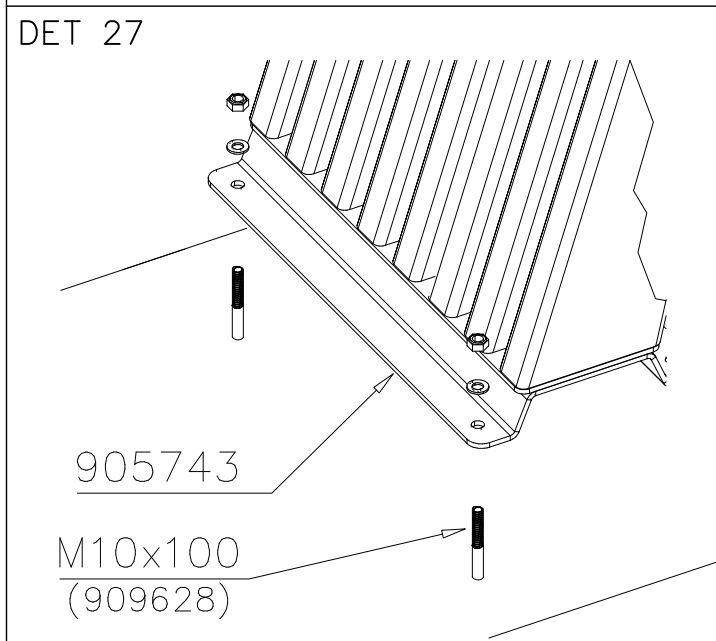
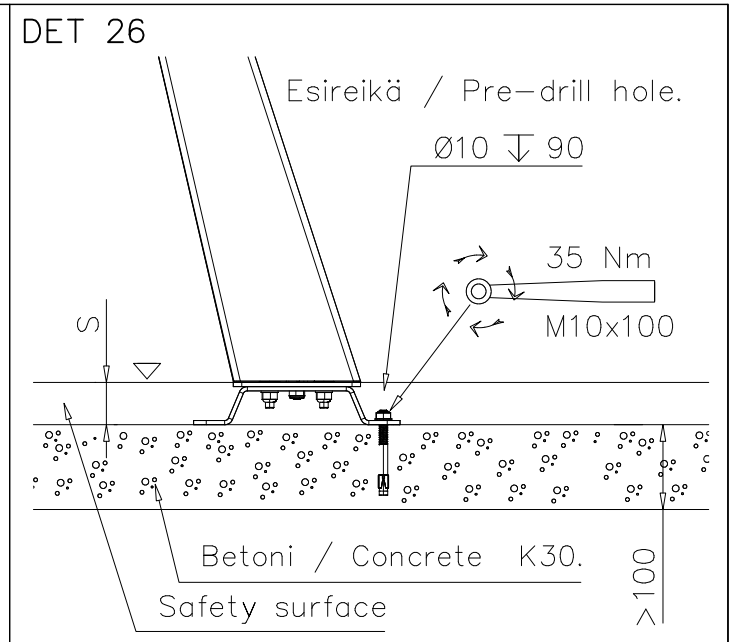
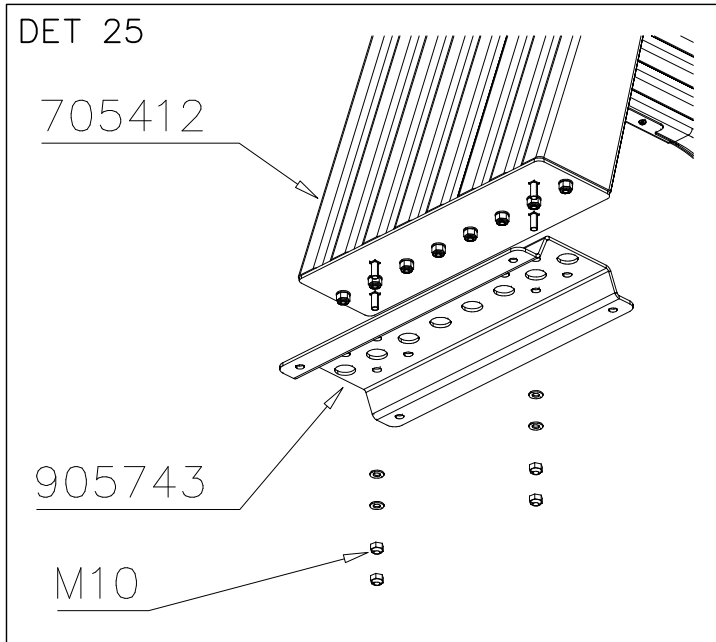


LAPPSET SPORT

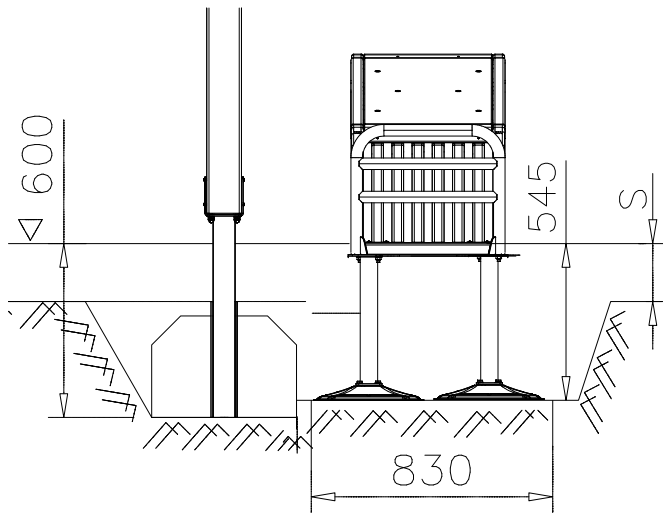
BASE

DATE: 29.4.2015

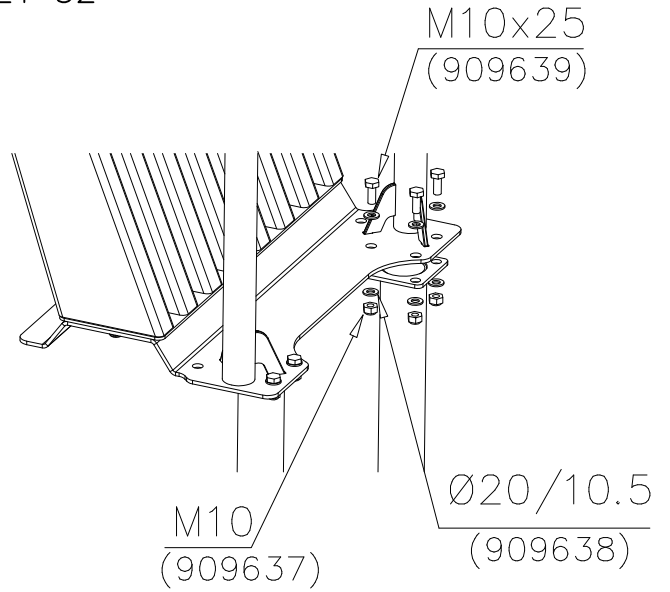
5(10)



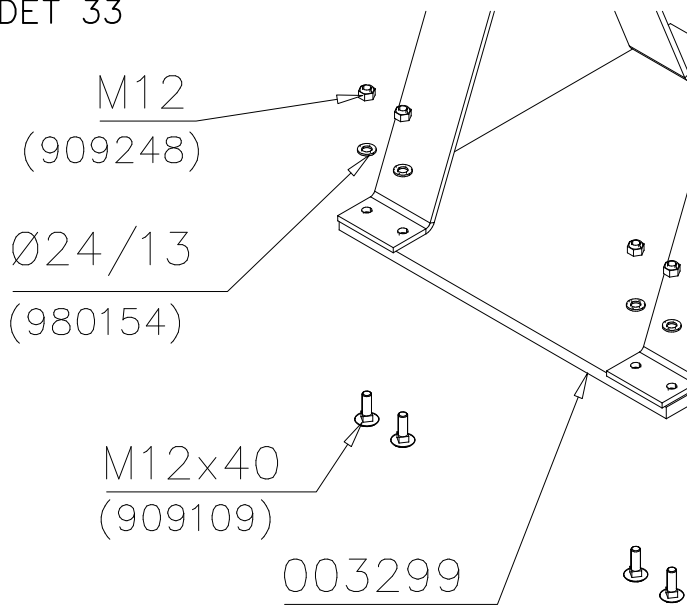
DET 31



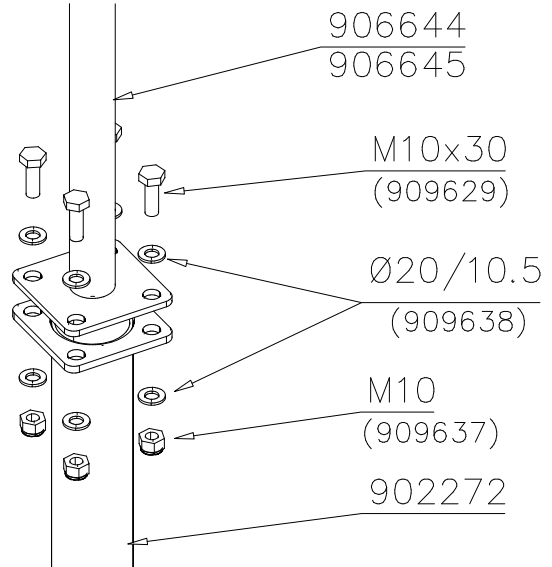
DET 32



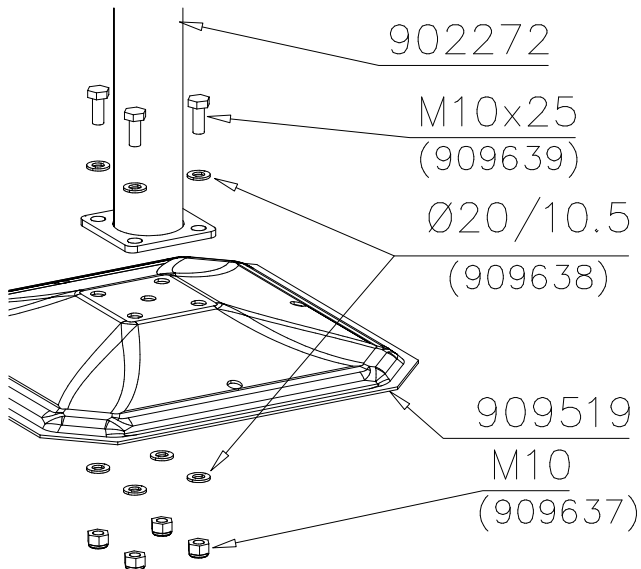
DET 33



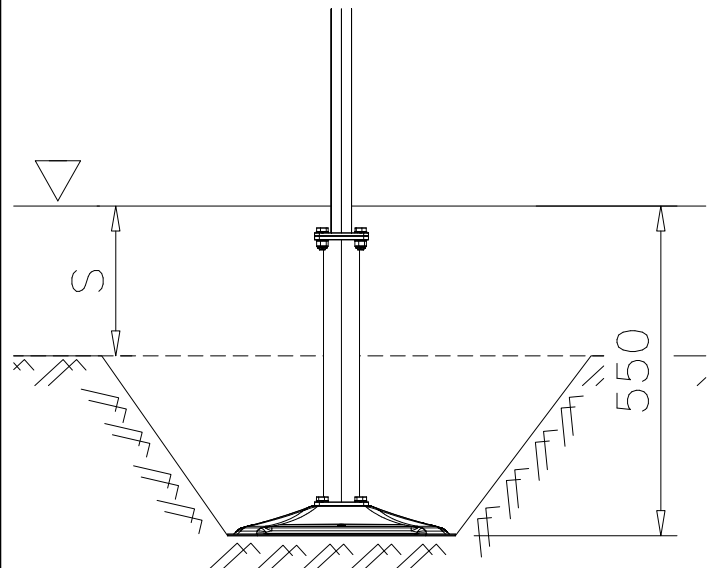
DET 34



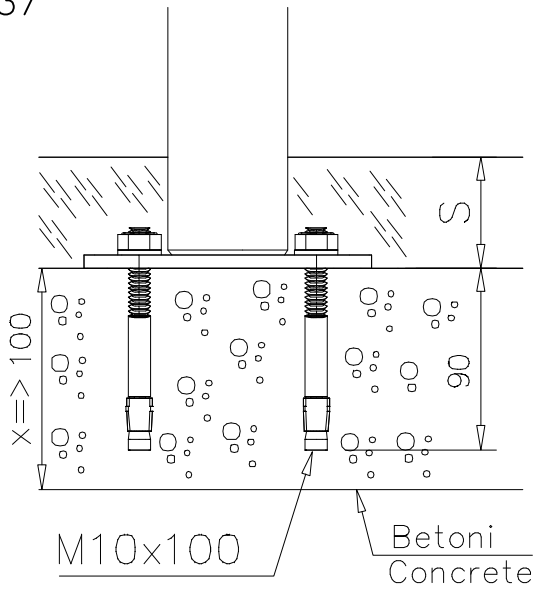
DET 35



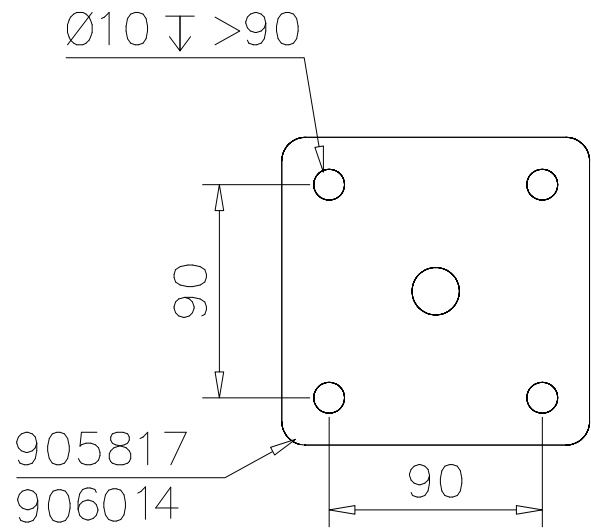
DET 36



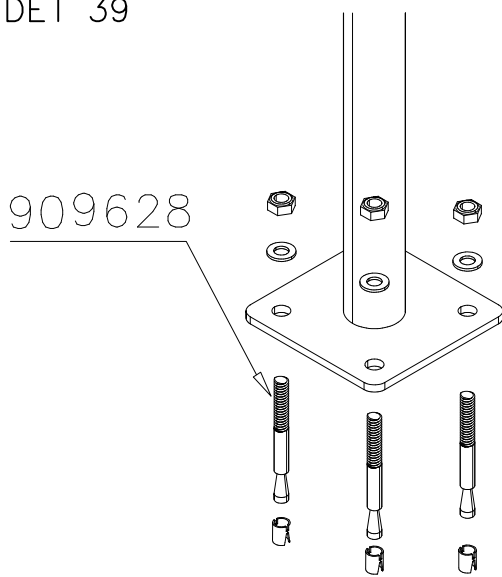
DET 37



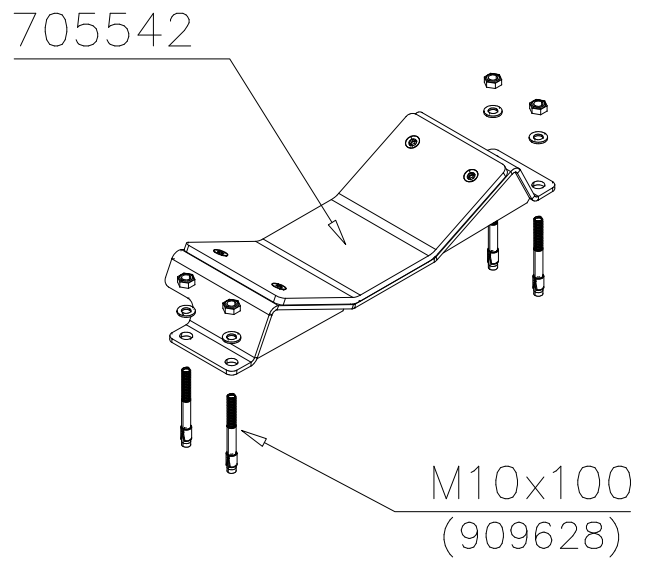
DET 38



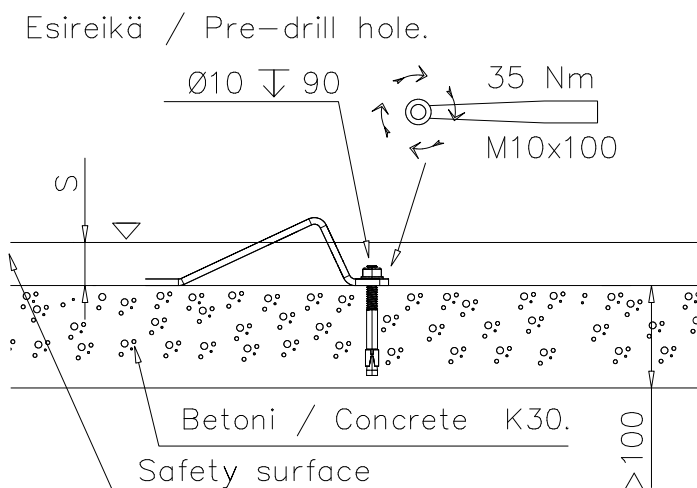
DET 39



DET 40



DET 41



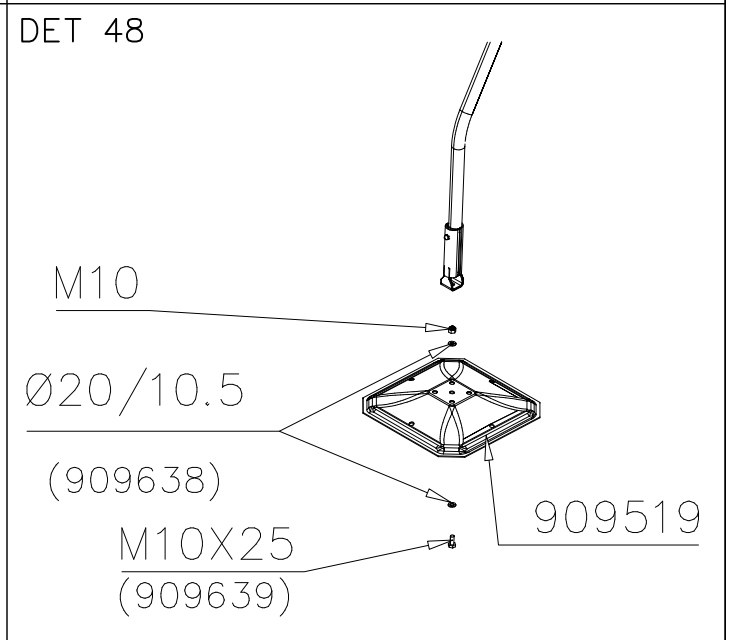
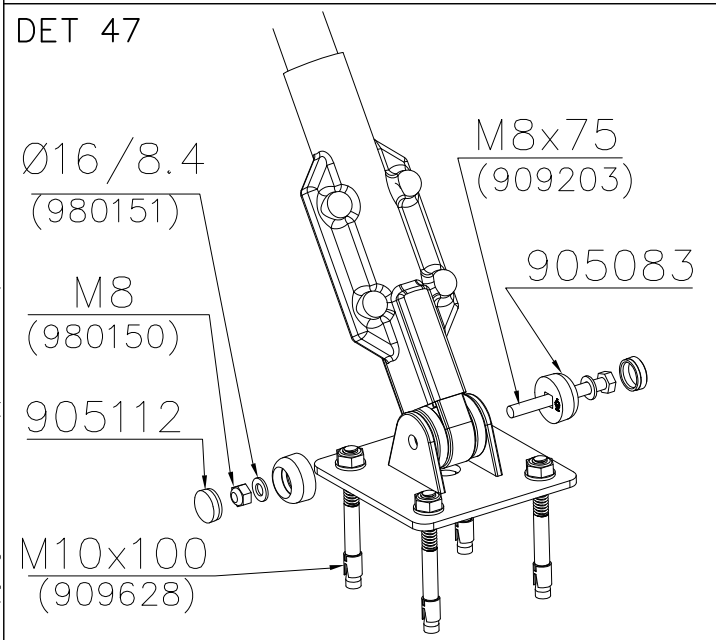
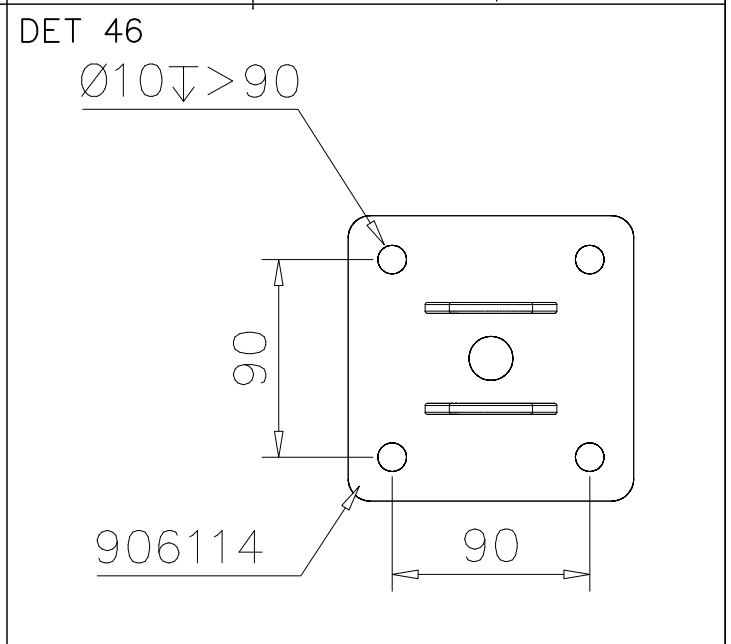
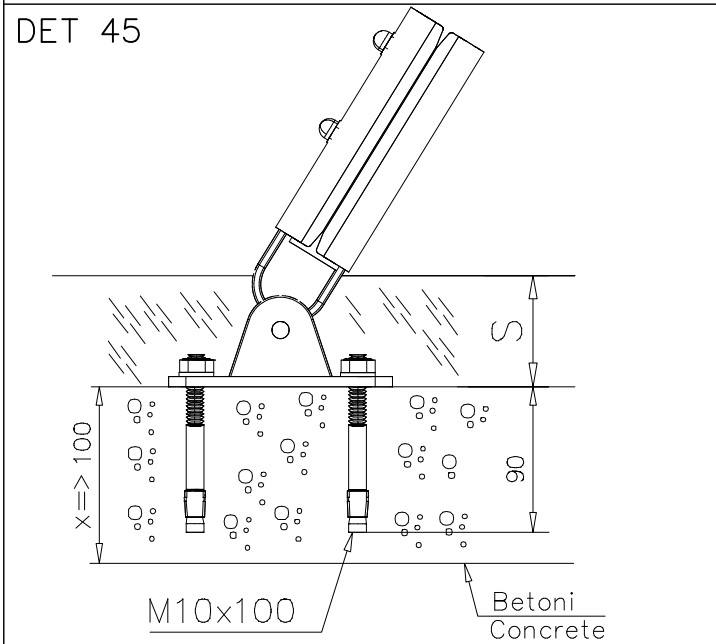
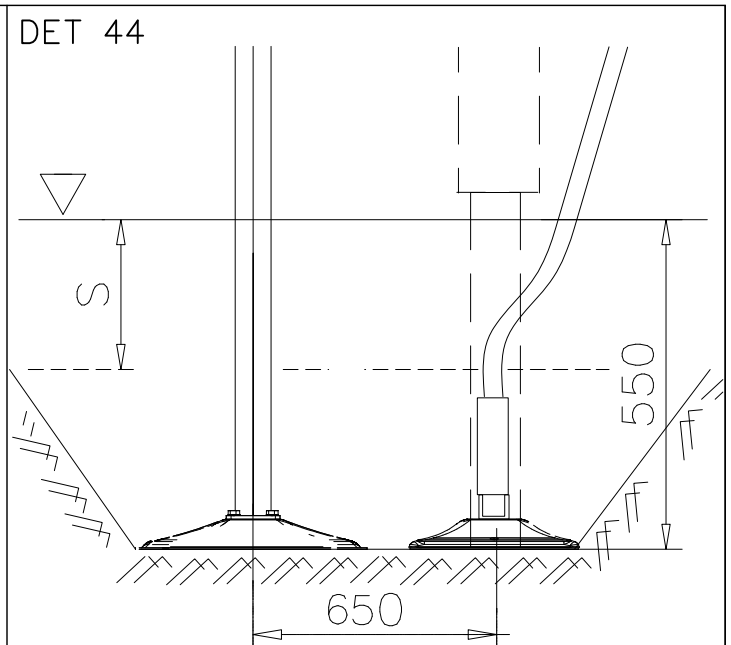
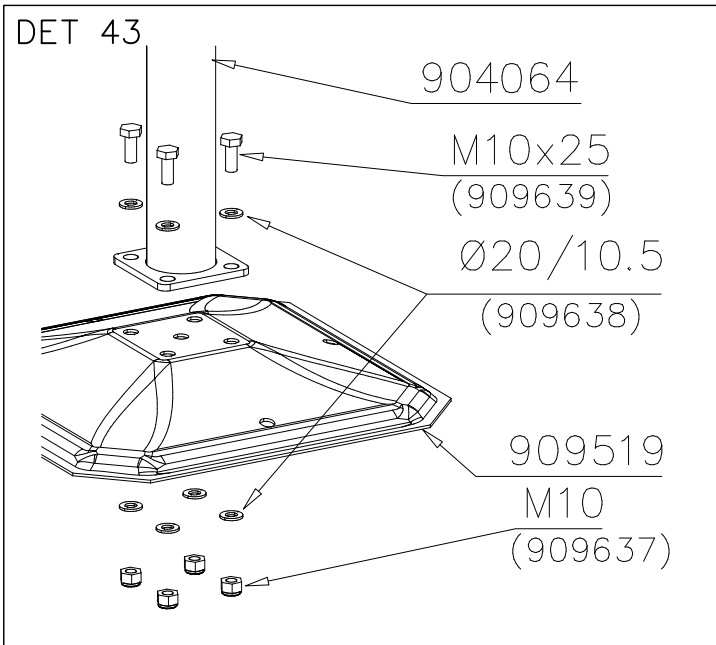
DET 42

LAPPSET SPORT

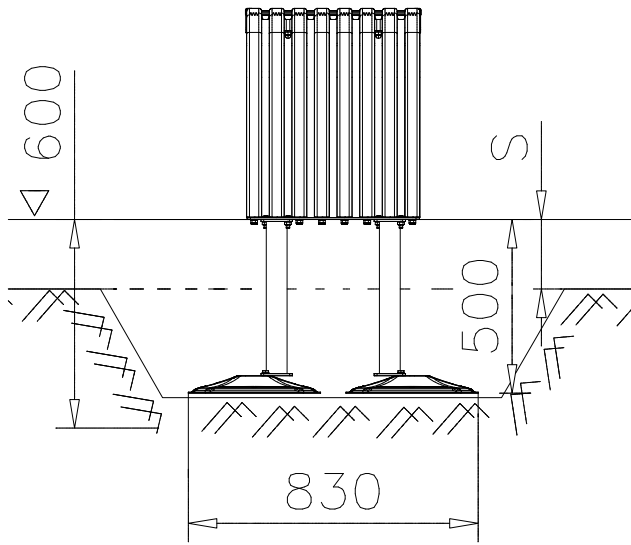
BASE

DATE: 15.8.2017

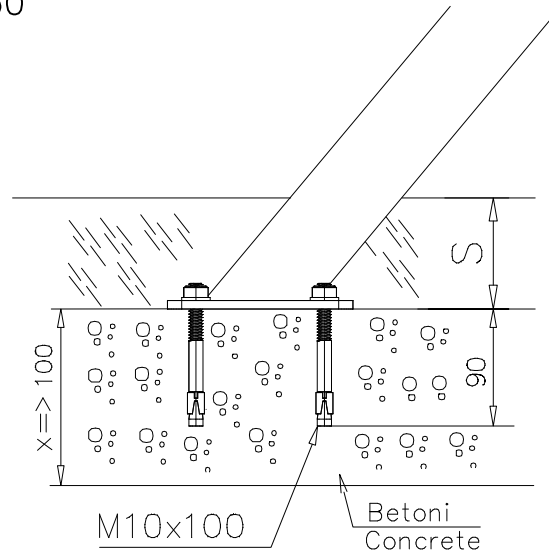
8(10)



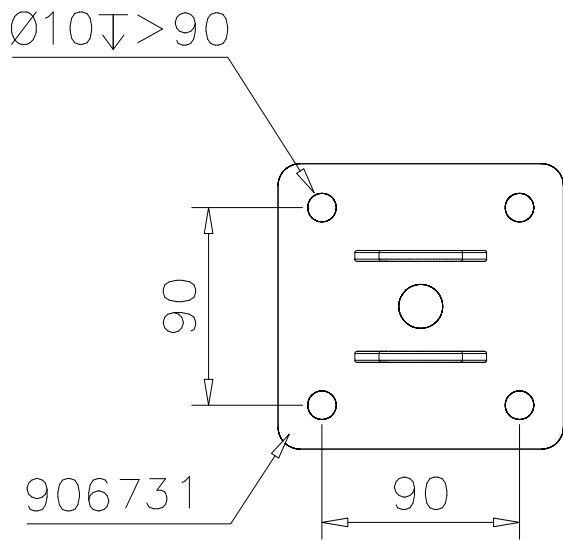
DET 49



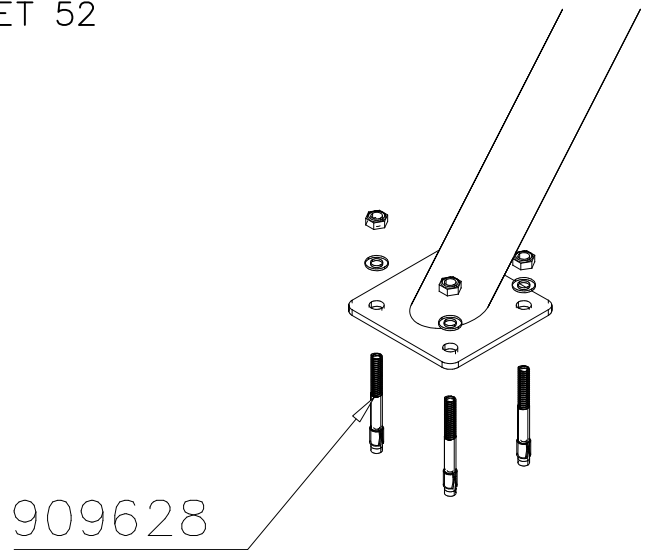
DET 50



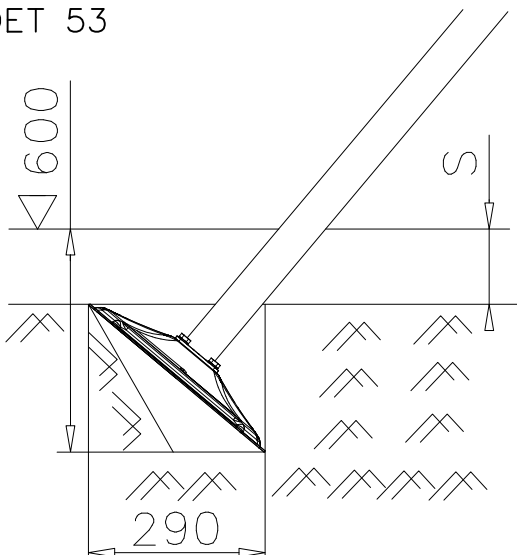
DET 51



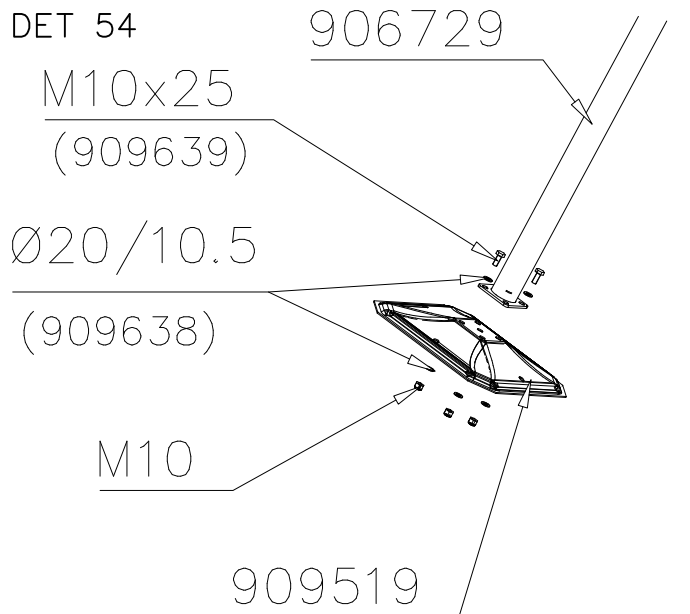
DET 52



DET 53

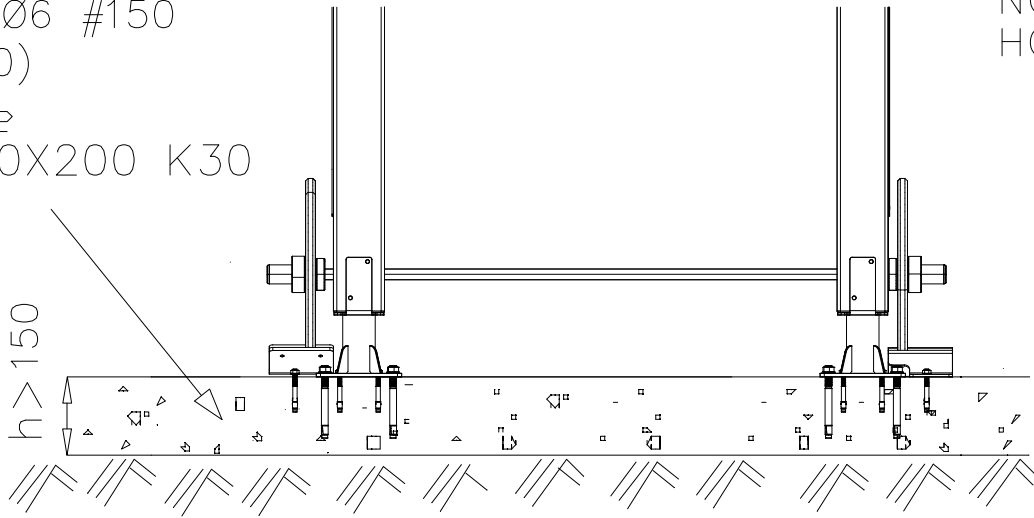


DET 54



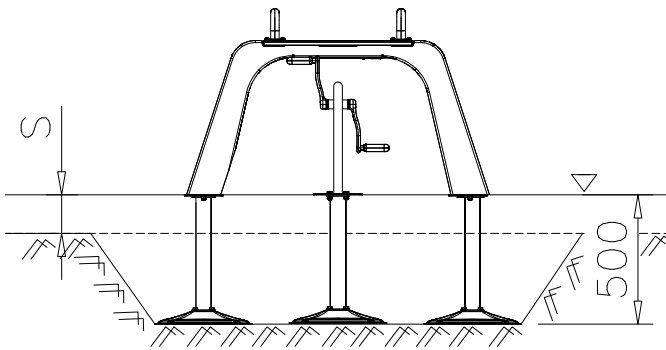
DET 55

STEELNET Ø6 #150
(1400x2100)
Concrete
1500X2200X200 K30

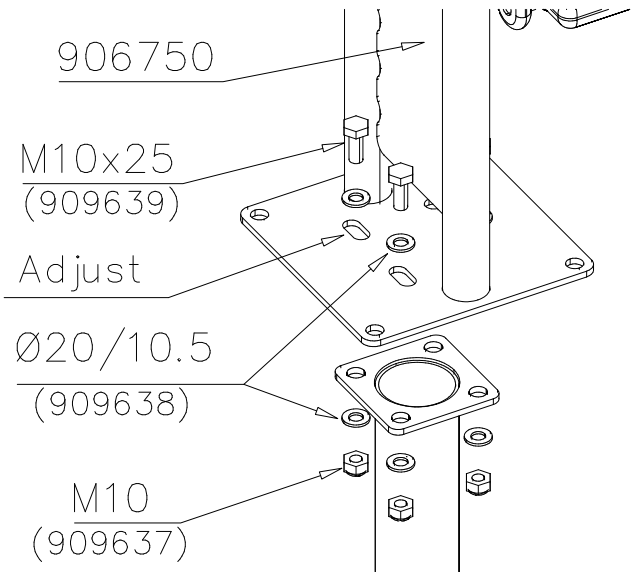


NOTE!
HOX!

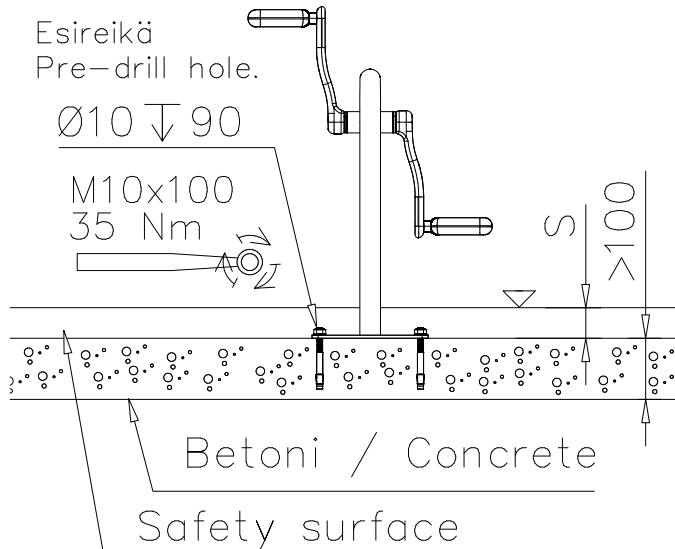
DET 56



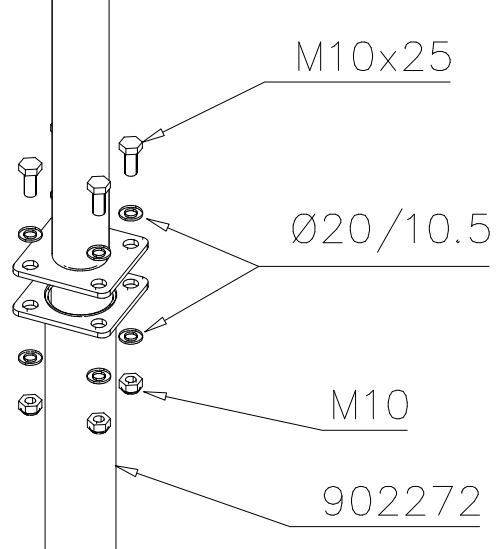
DET 57



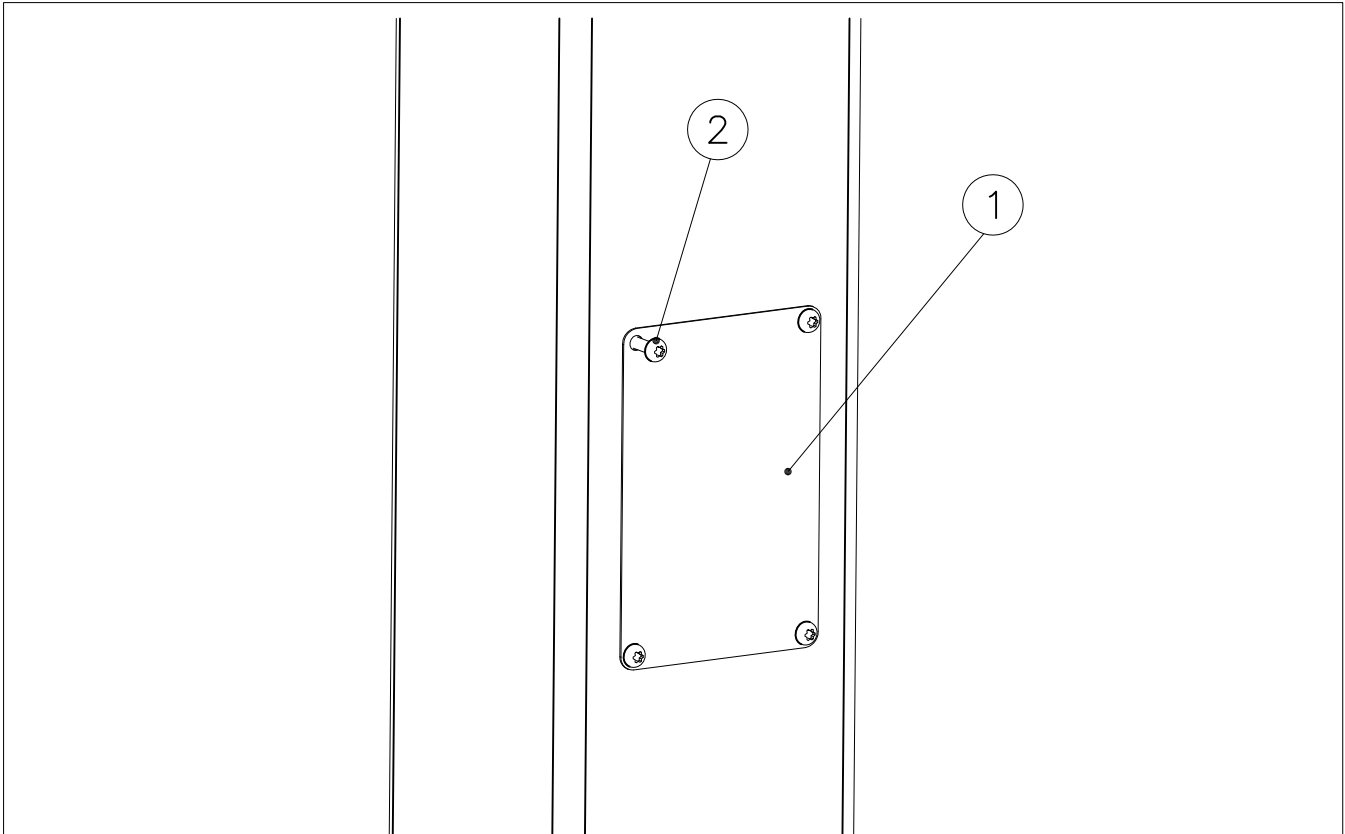
DET 58



DET 59



① SHEET METAL	PCS	② 980114	PCS
	1		4
118x78x0.7		Ø4x20	



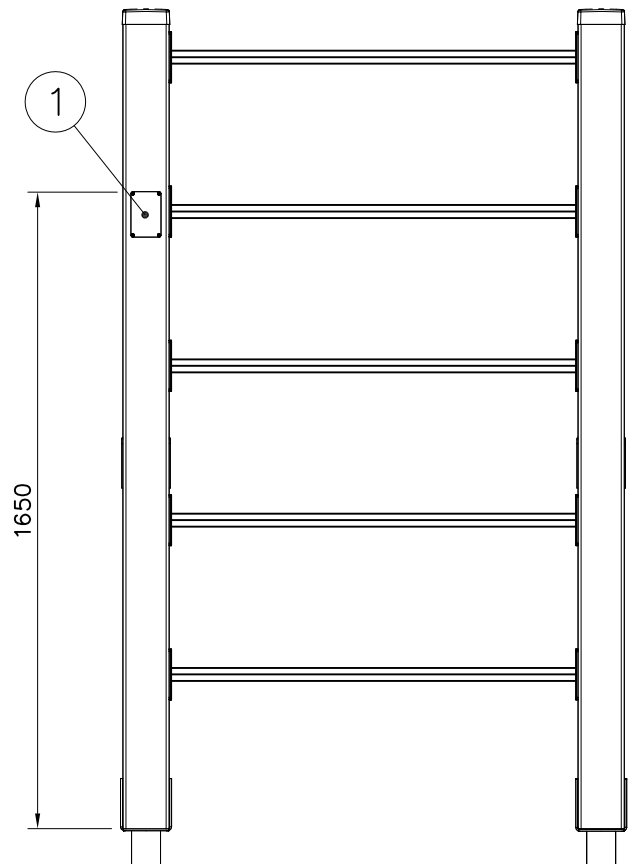
Example installation !
Esimerkki asennus !

Example installation !
Esimerkki asennus !

Example installation !
Esimerkki asennus !



Example installation !
Esimerkki asennus !



Example installation !
Esimerkki asennus !