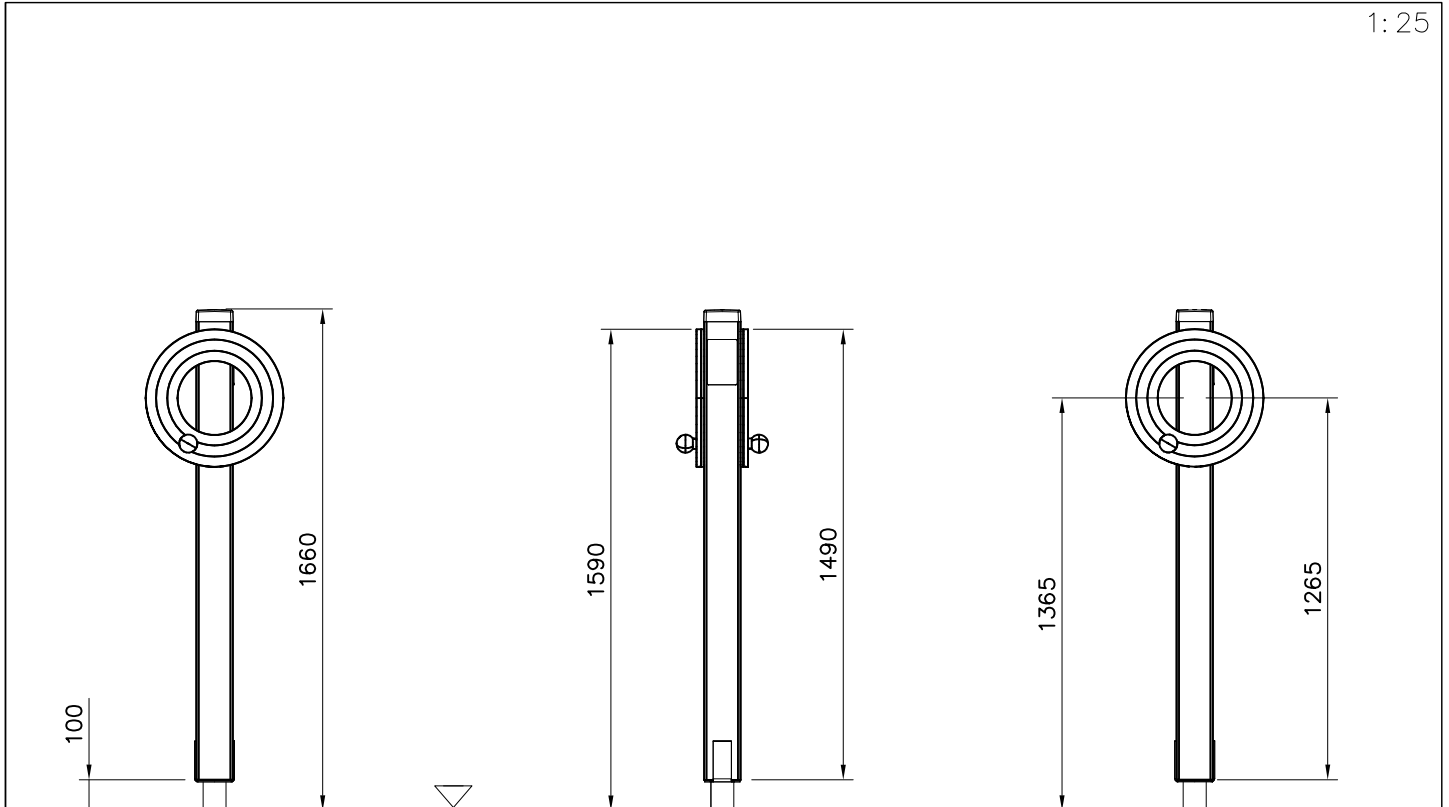


| | | | |
|------------|-----|--------------|-----|
| ① 706054 | PCS | ② 705345 | PCS |
| | 1 | | 1 |
| | | 120x120x1520 | |
| ③ 705513 | PCS | ④ 980114 | PCS |
| | 2 | | 4 |
| | | Ø4x20 | |
| ⑤ 905104 | PCS | ⑥ 905761 | PCS |
| | 4 | | 1 |
| M10 | | 120x120x700 | |
| ⑦ 905830 | PCS | ⑧ 906630 | PCS |
| | 1 | | 4 |
| 123x123x40 | | Ø8x60 | |
| ⑨ 980104 | PCS | ⑩ 980123 | PCS |
| | 1 | | 4 |
| Ø5x90 | | Ø7x60 | |
| ⑪ 909256 | PCS | | PCS |
| | 4 | | |
| Ø16/8.4 | | | |
| | PCS | | PCS |
| | | | |
| | PCS | | PCS |
| | | | |

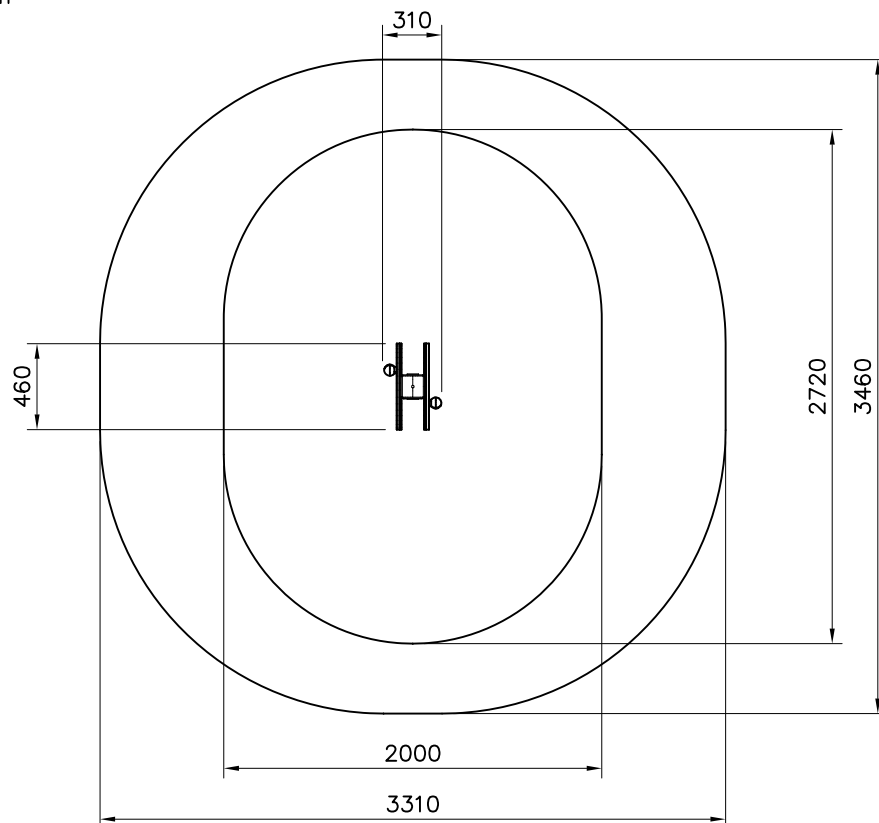


1: 25



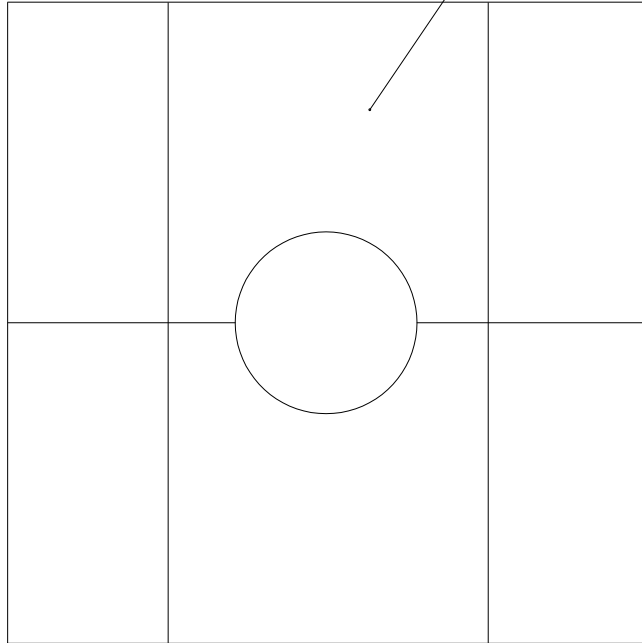
1: 40

Area of Movement 9.5 m²
Training Space 4.6 m²
Max Falling Height 0 mm

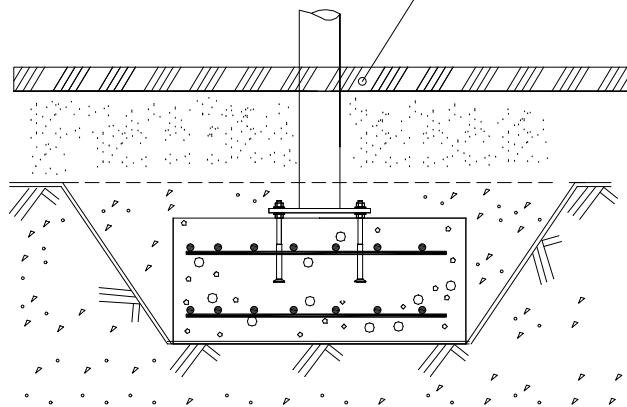


| | | | | | | | | | | | | |
|---|--|---|-----------------|-----------------|----------------|---------|----------------|---------|----------------|-------|----------------|---|
|  | | | | | | | | | | | | |
| <p>$h < 600$</p> <p>Without movement and therefore without Impact Area</p> | <p>Totally hard surfaces.</p> <p>Note. Lappset does <u>not recommend</u> totally hard surfaces at all.</p> | <p>E.g. concrete or asphalt</p>  | | | | | | | | | | |
| <p>$h < 600$</p> <p>With movement e.g. rocking</p> | <p>Materials with very limited impact attenuating properties.</p> | <p>E.g. wood</p>  | | | | | | | | | | |
| <p>$h < 1000$</p> | <p>Materials with significant impact attenuating properties.</p> | <p>fine gravel 0–8 mm</p>  <p>grass</p>  <p>unsorted sand</p>  | | | | | | | | | | |
| <p>$h < 3000$</p> | <p>Loose fill material</p> <p>E.g. sand/gravel 0,25...8 mm D60/D10<3,0 Woodchips 5...30 mm bark 20...80 mm</p> |  <table data-bbox="1021 1691 1332 1792"> <tr> <td>\underline{S}</td> <td>\underline{h}</td> </tr> <tr> <td>30 cm</td> <td>< 2,0 m</td> </tr> <tr> <td>40 cm</td> <td>< 3,0 m</td> </tr> </table> | \underline{S} | \underline{h} | 30 cm | < 2,0 m | 40 cm | < 3,0 m | | | | |
| \underline{S} | \underline{h} | | | | | | | | | | | |
| 30 cm | < 2,0 m | | | | | | | | | | | |
| 40 cm | < 3,0 m | | | | | | | | | | | |
| | <p>Syntethic granulates</p> <table data-bbox="406 1892 758 2060"> <tr> <td>\underline{S}</td> <td>\underline{h}</td> </tr> <tr> <td>40 mm</td> <td>~> 1,2...1,3 m</td> </tr> <tr> <td>50 mm</td> <td>~> 1,5...1,7 m</td> </tr> <tr> <td>60 mm</td> <td>~> 1,8...2,0 m</td> </tr> <tr> <td>70 mm</td> <td>~> 2,1...2,5 m</td> </tr> </table> <p>Note. For accurate values, see manufacturer's instructions.</p> | \underline{S} | \underline{h} | 40 mm | ~> 1,2...1,3 m | 50 mm | ~> 1,5...1,7 m | 60 mm | ~> 1,8...2,0 m | 70 mm | ~> 2,1...2,5 m |  |
| \underline{S} | \underline{h} | | | | | | | | | | | |
| 40 mm | ~> 1,2...1,3 m | | | | | | | | | | | |
| 50 mm | ~> 1,5...1,7 m | | | | | | | | | | | |
| 60 mm | ~> 1,8...2,0 m | | | | | | | | | | | |
| 70 mm | ~> 2,1...2,5 m | | | | | | | | | | | |

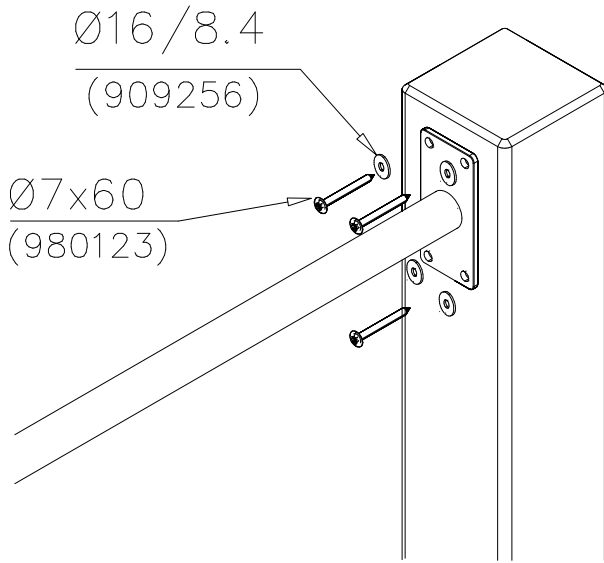
REMOVE SAFETY SURFACE/SAND/GRAVEL
TO CHECK FOUNDATION



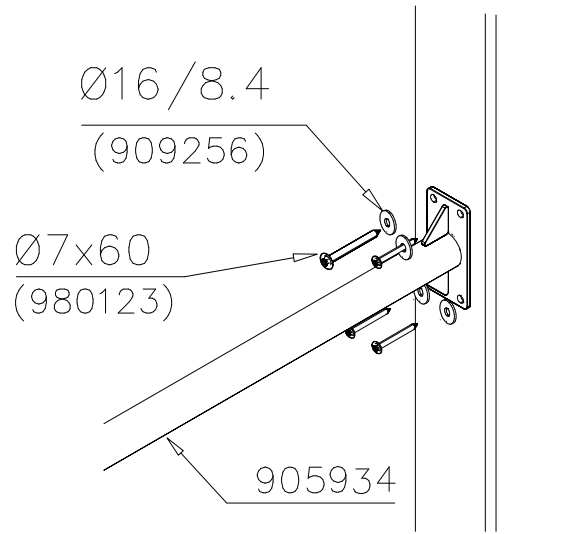
REMOVE SAFETY SURFACE/SAND/GRAVEL
TO CHECK FOUNDATION



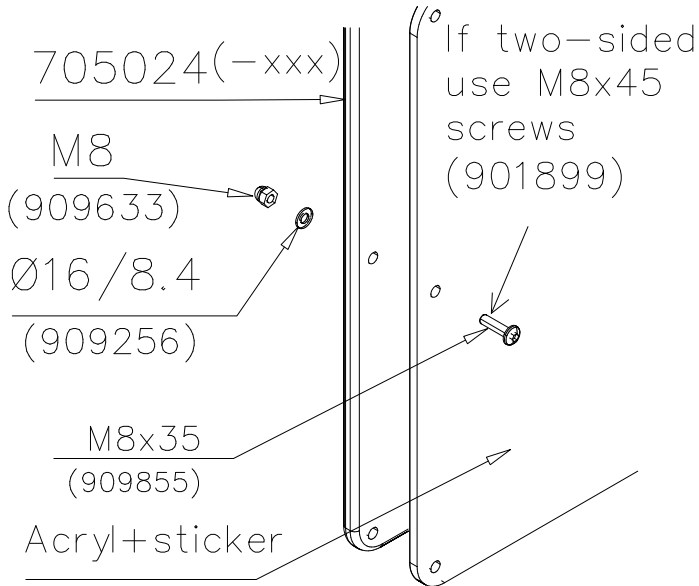
DET 1



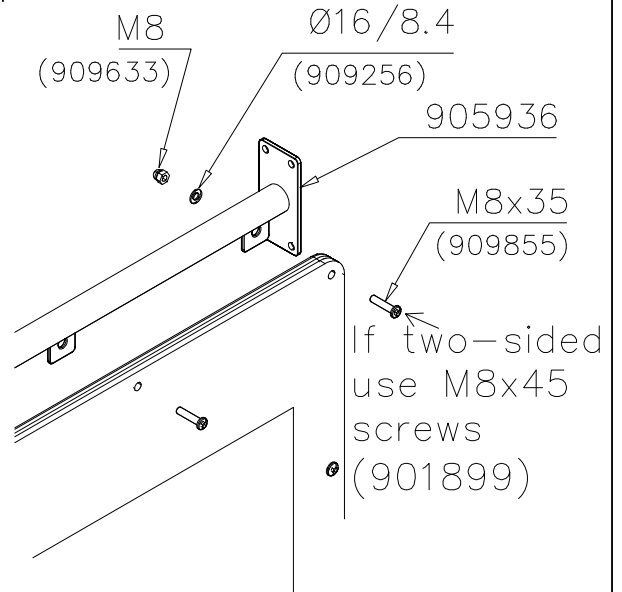
DET 2



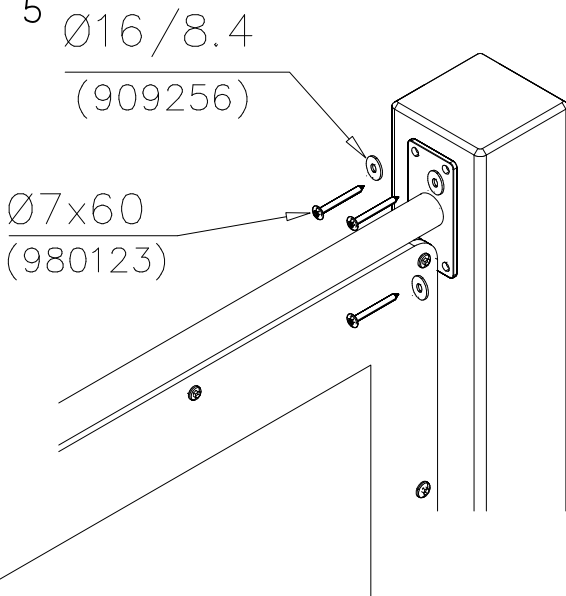
DET 3



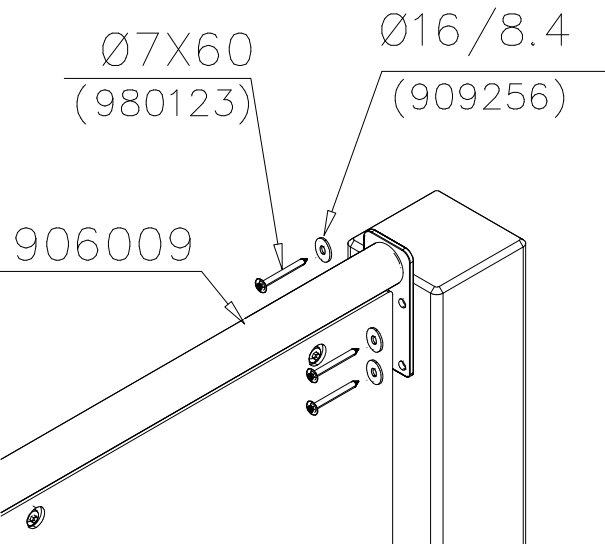
DET 4

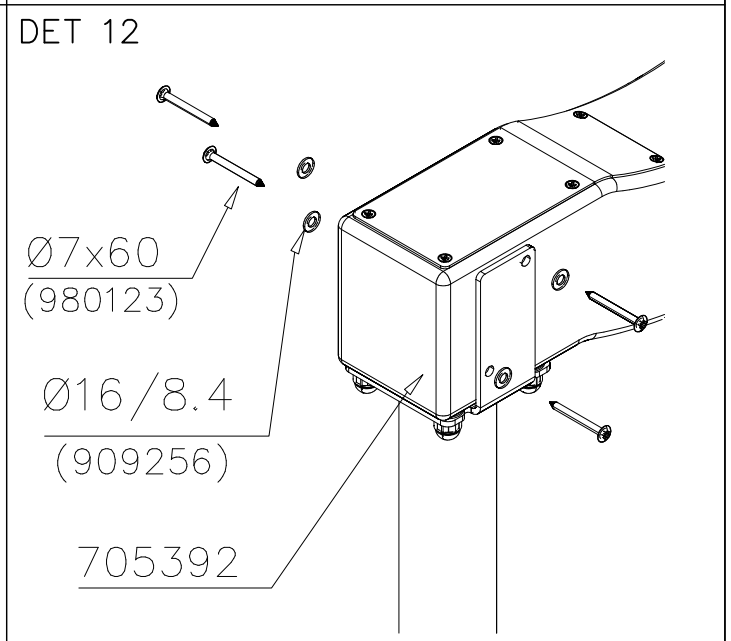
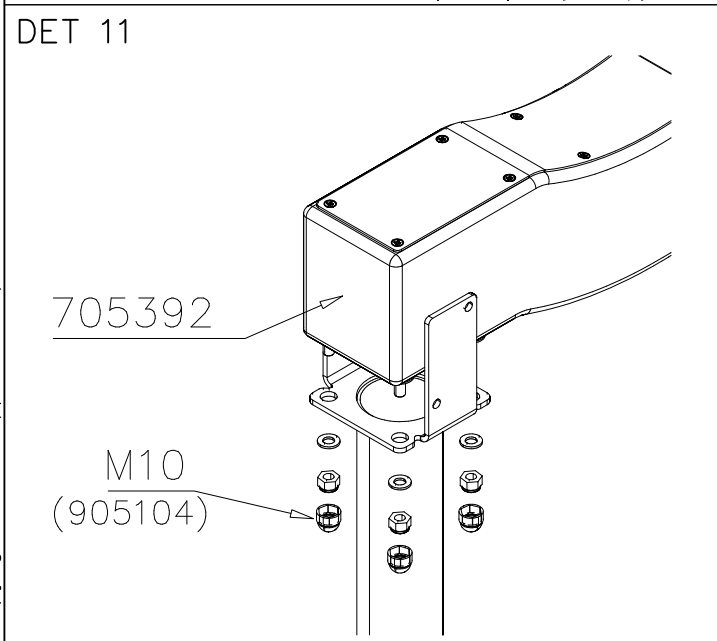
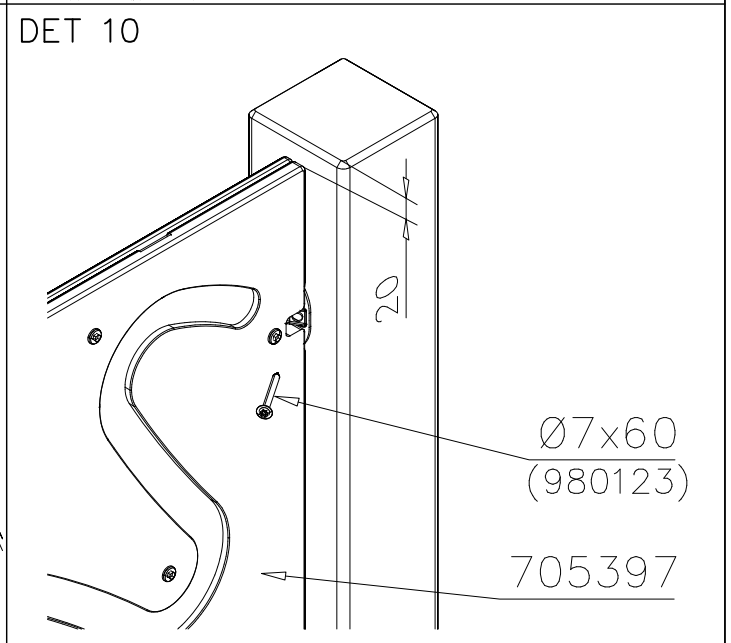
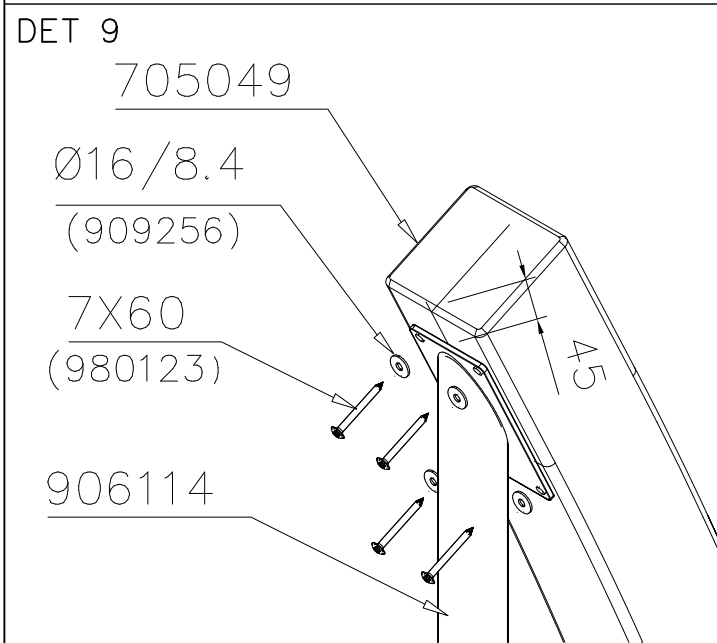
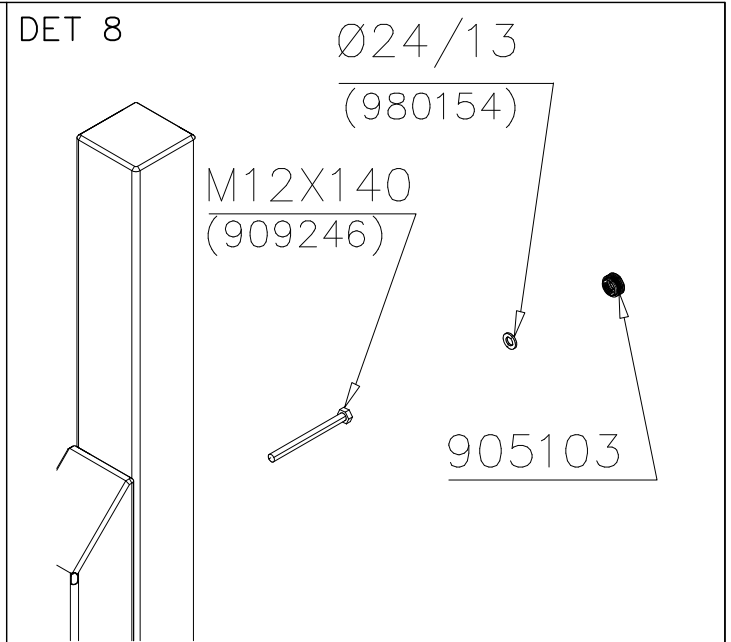
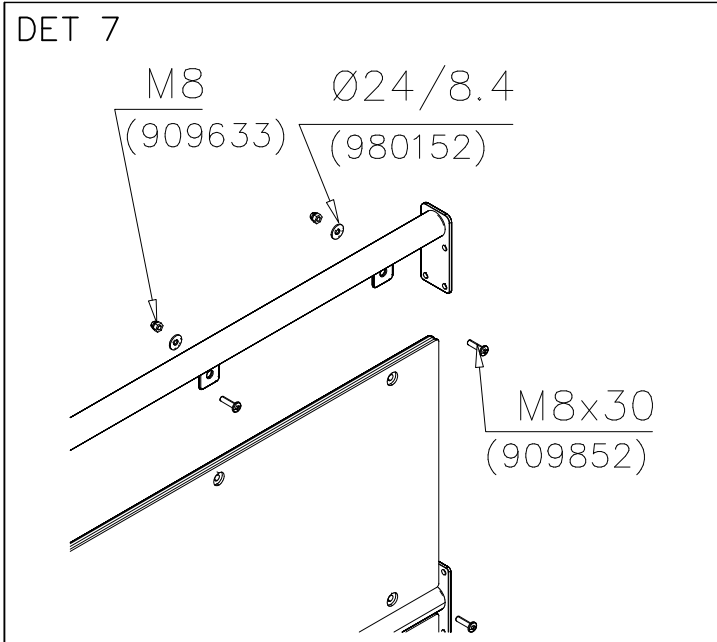


DET 5

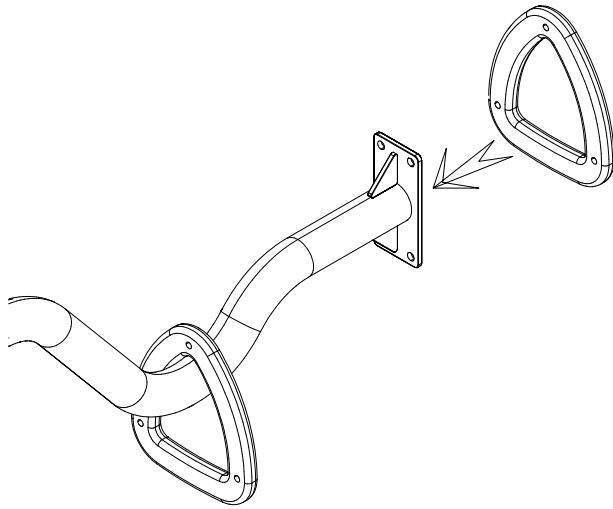


DET 6

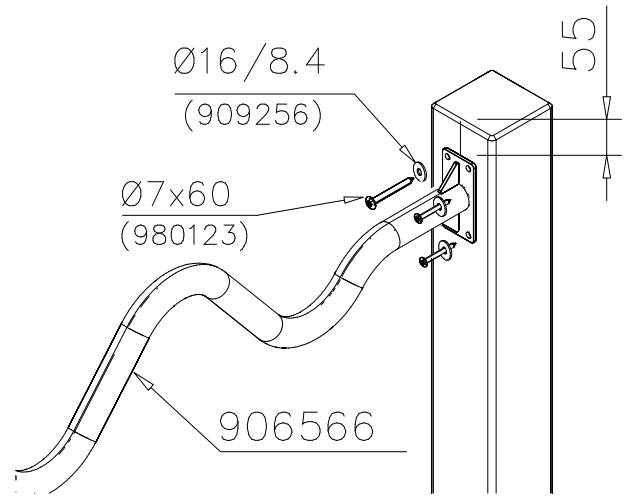




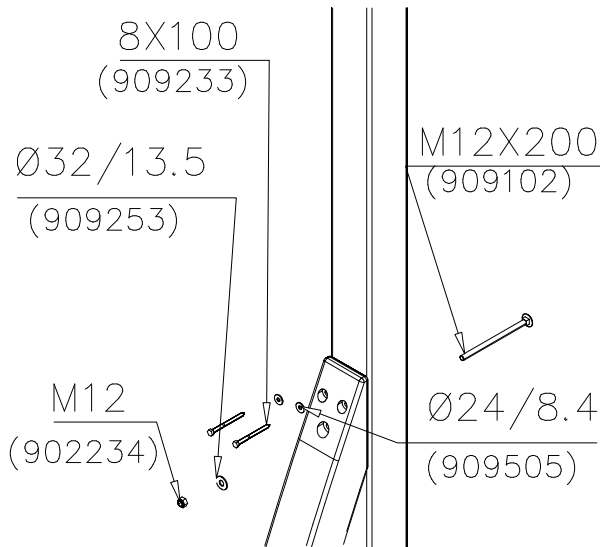
DET 13



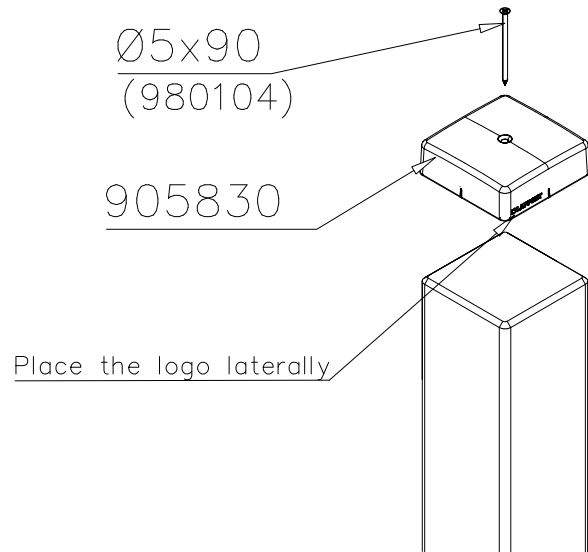
DET 14



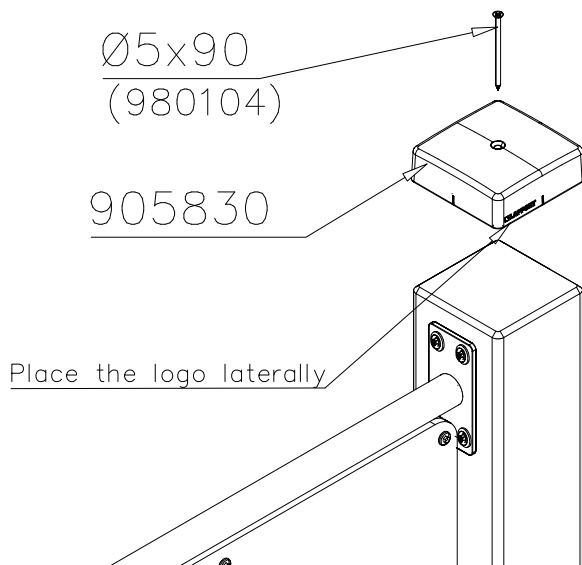
DET 15



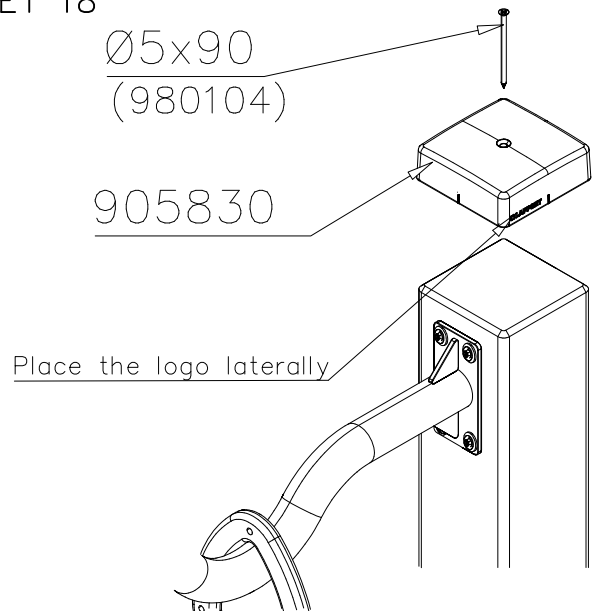
DET 16



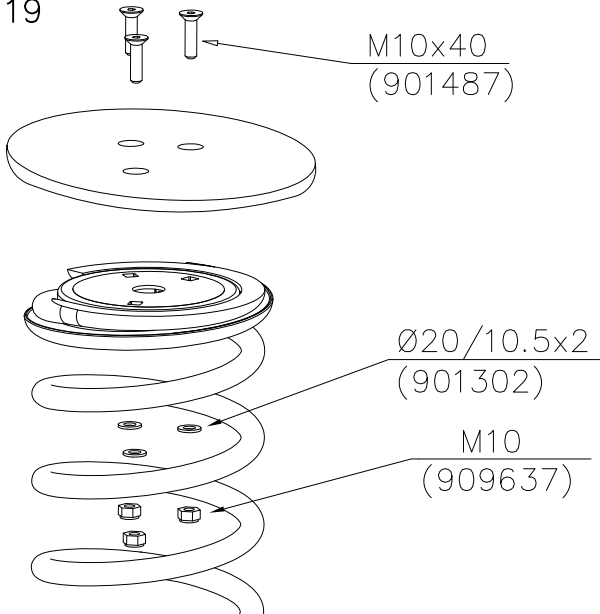
DET 17



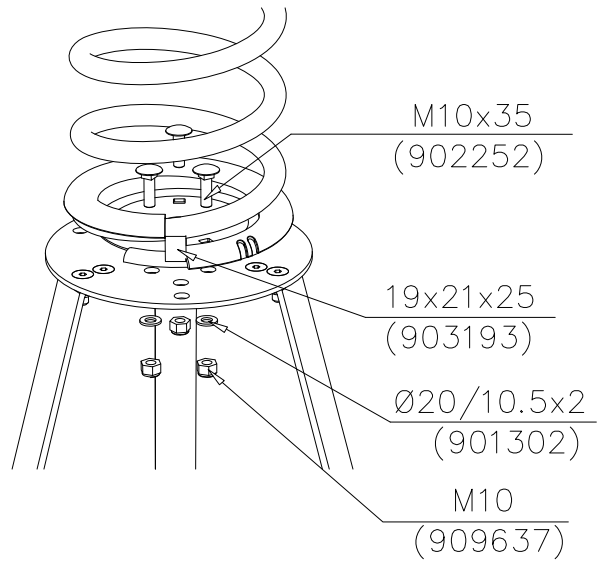
DET 18



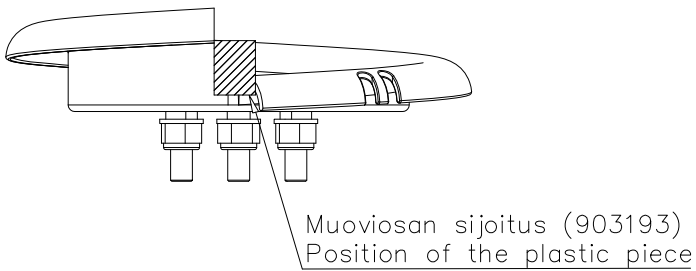
DET 19



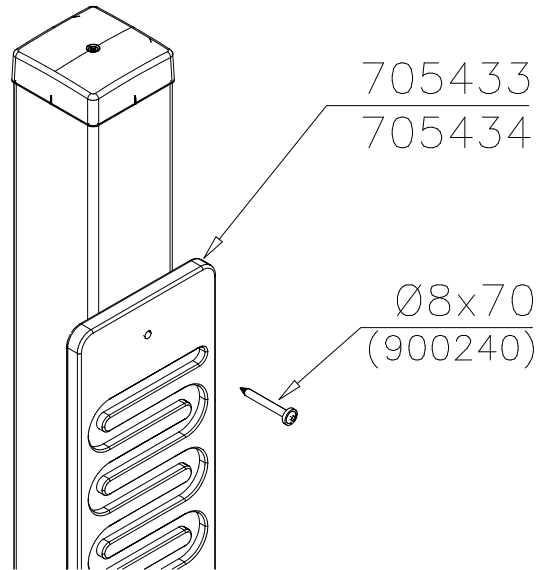
DET 20



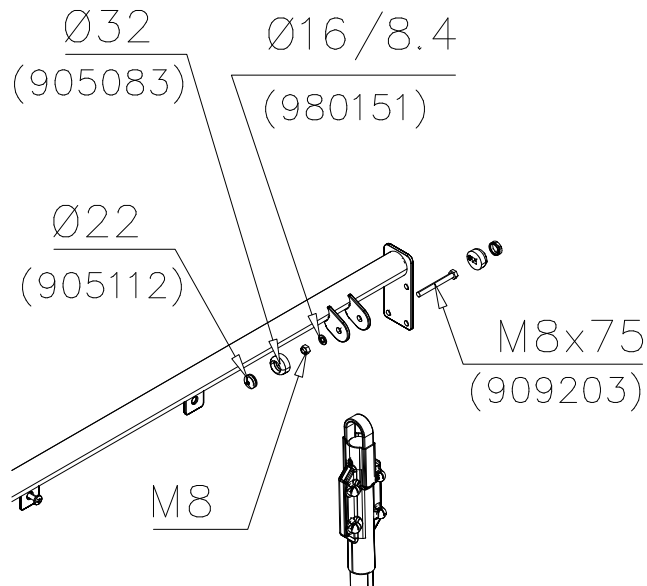
DET 21



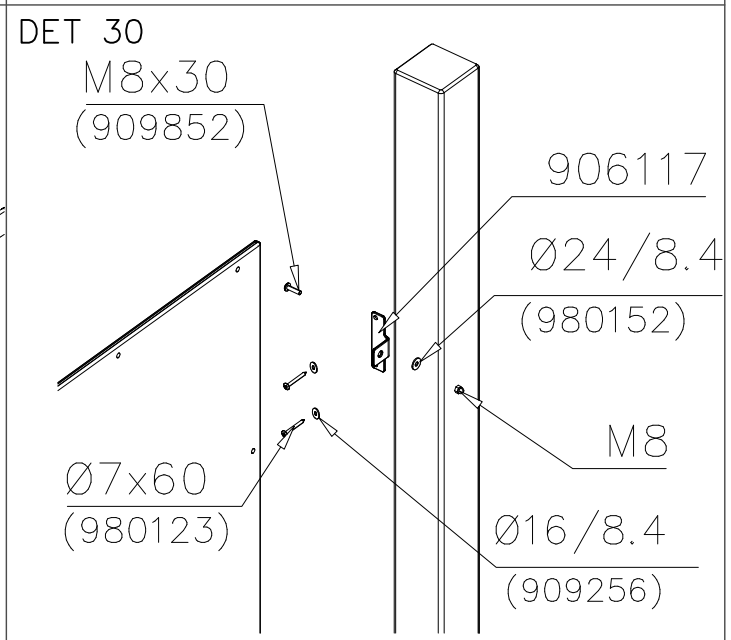
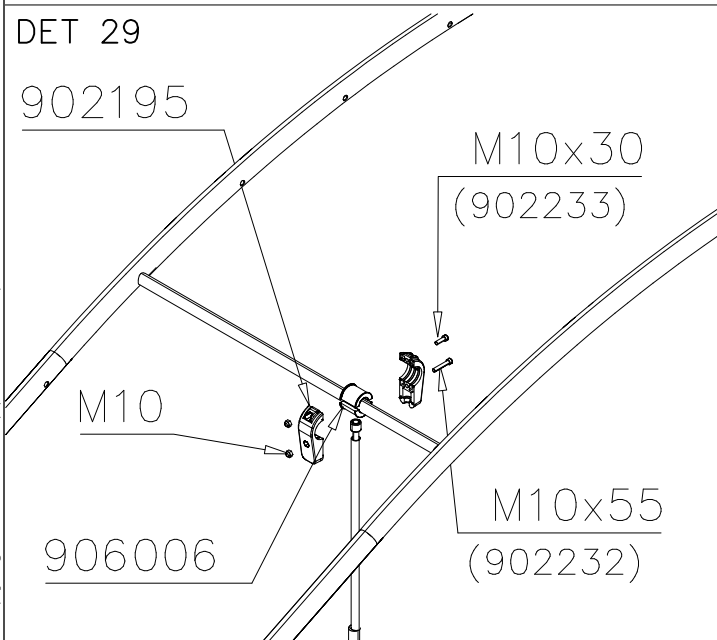
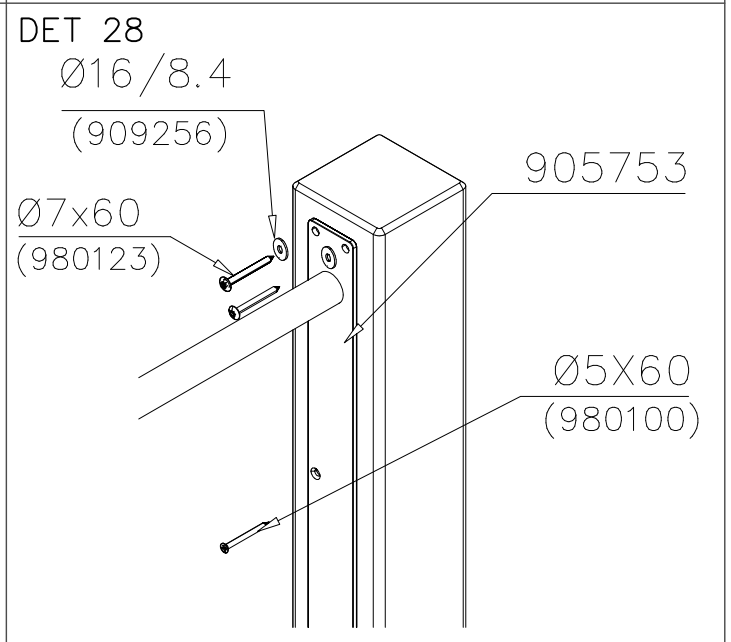
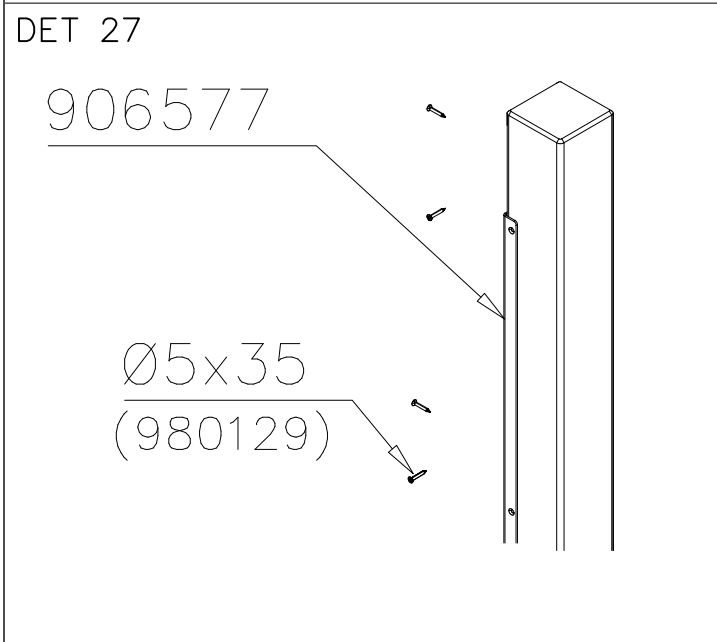
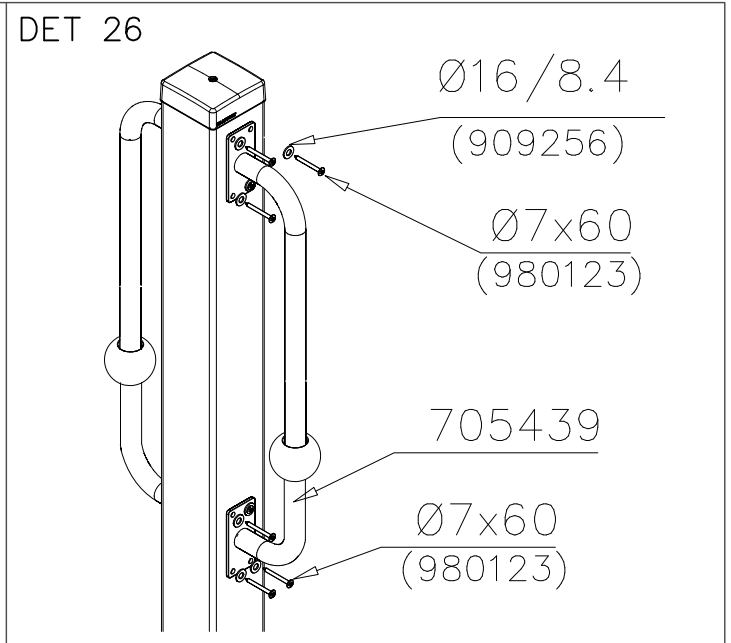
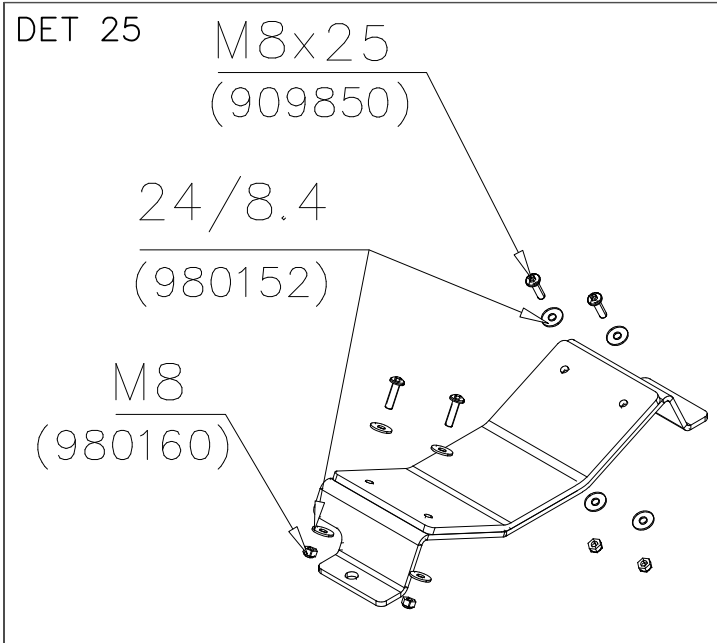
DET 22



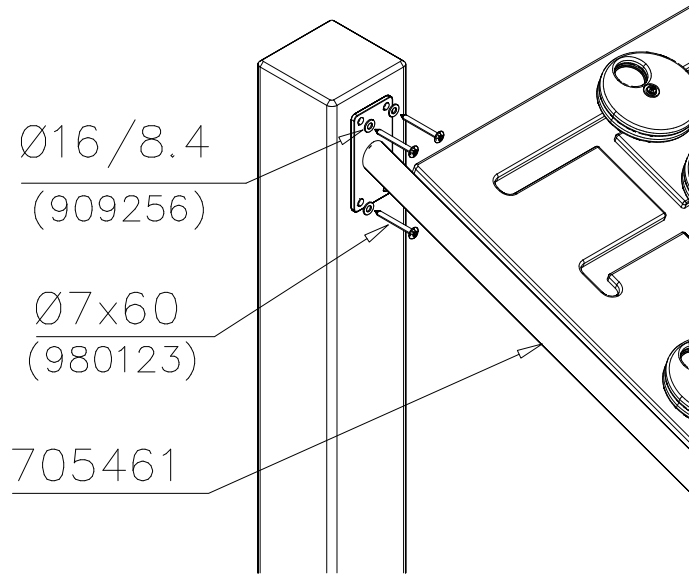
DET 23



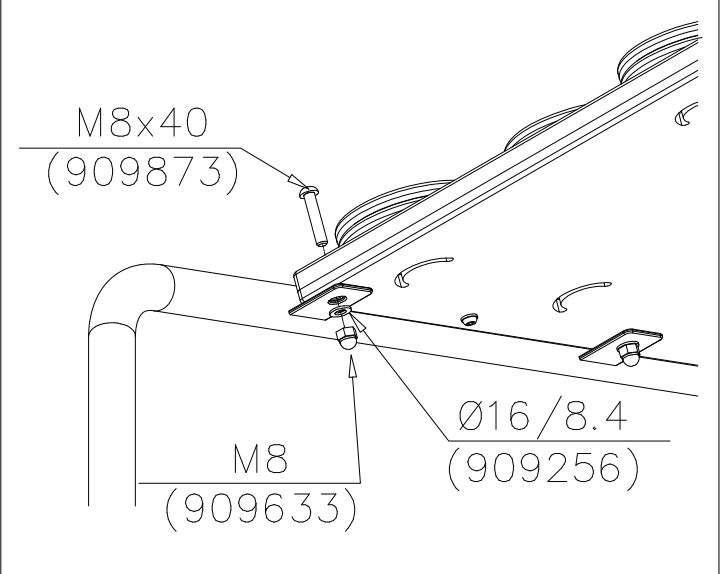
DET 24



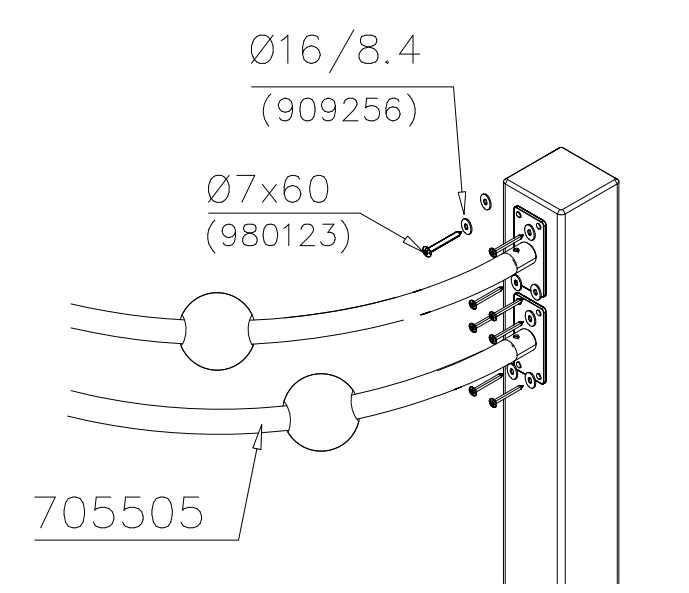
DET 31



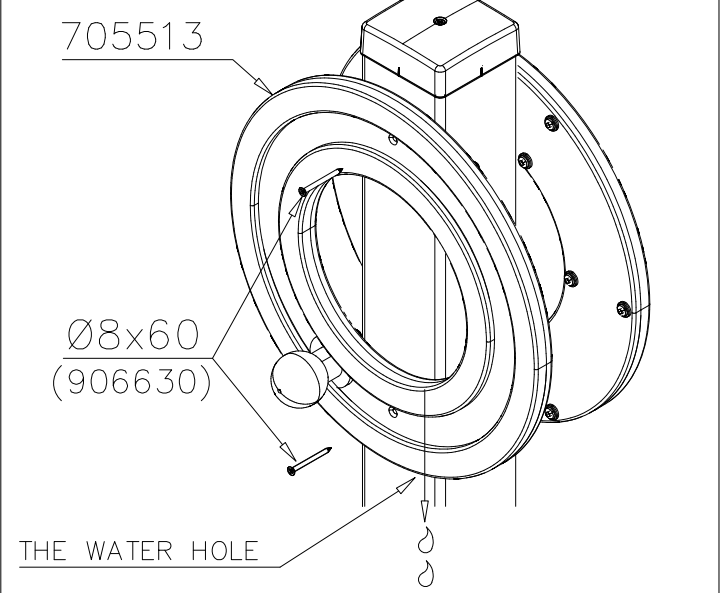
DET 32



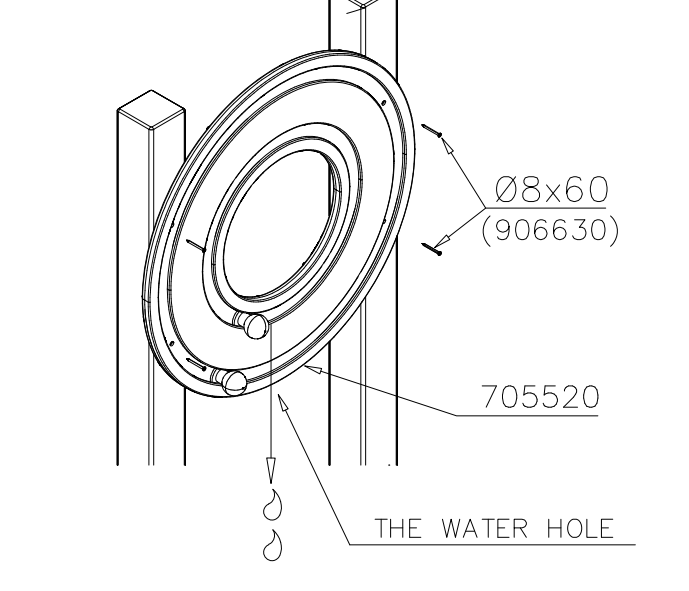
DET 33



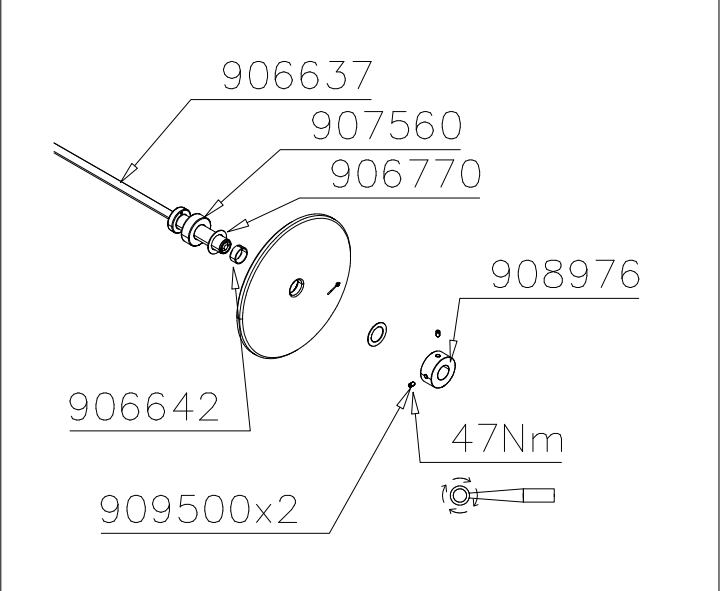
DET 34



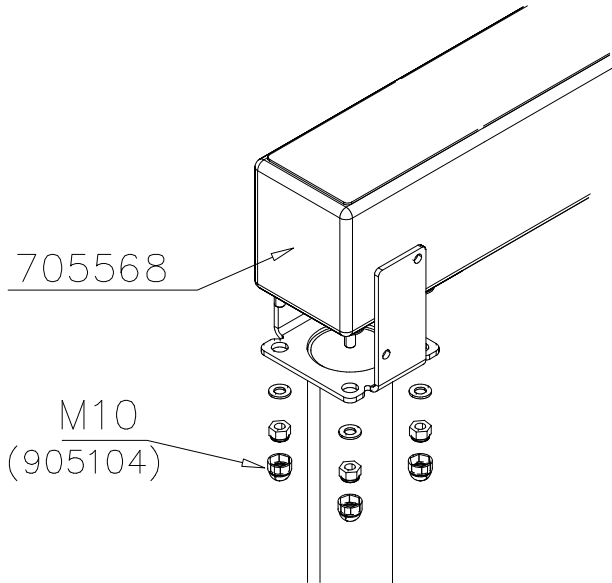
DET 35



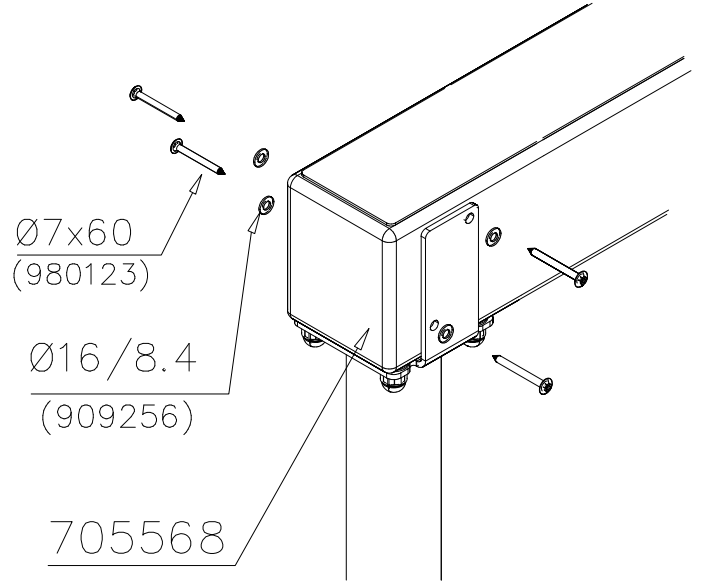
DET 36



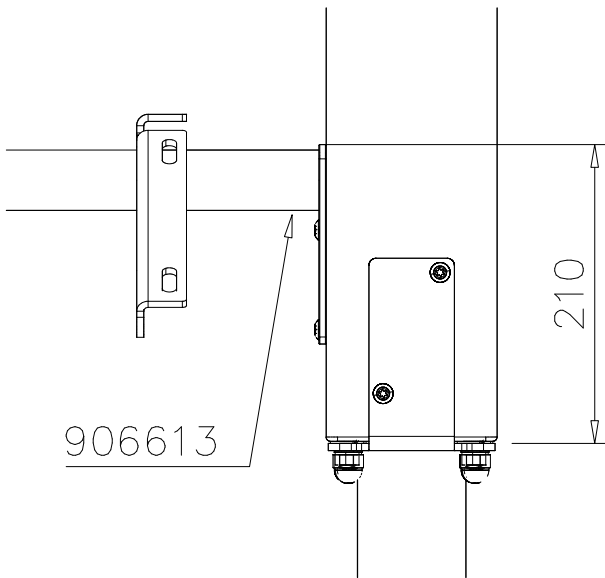
DET 37



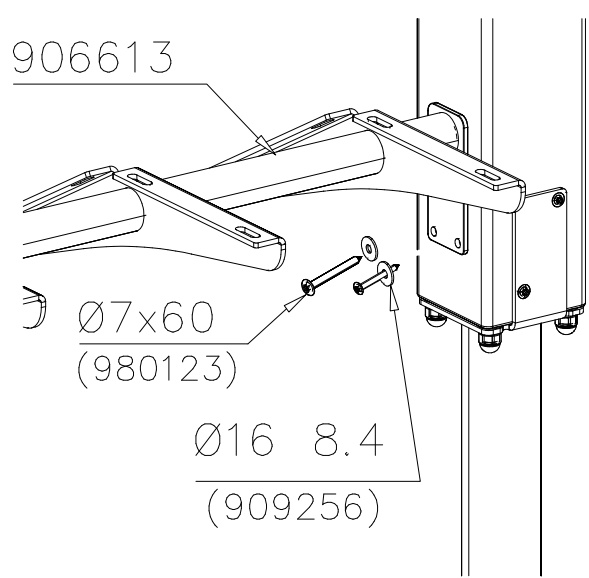
DET 38



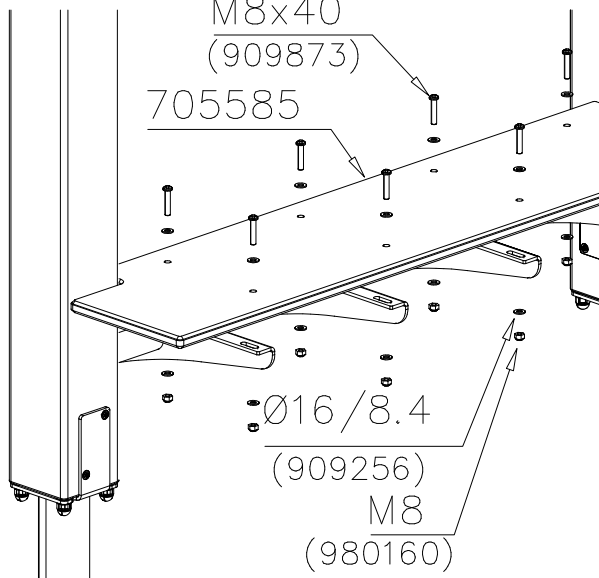
DET 39



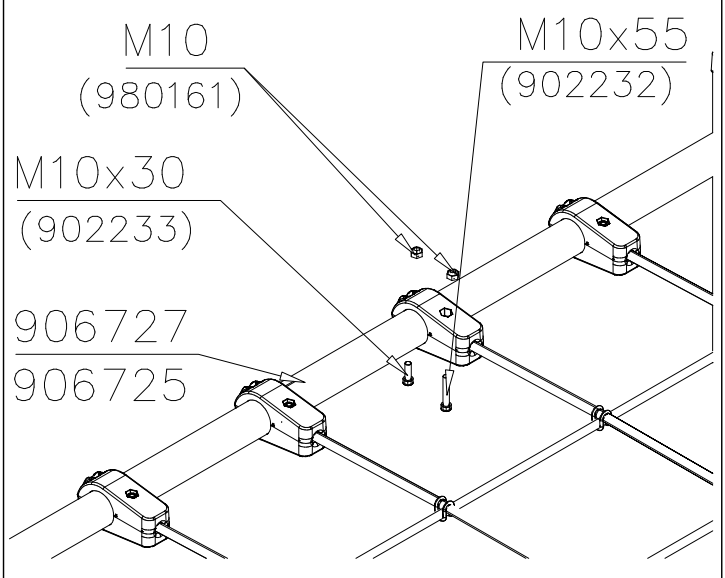
DET 40

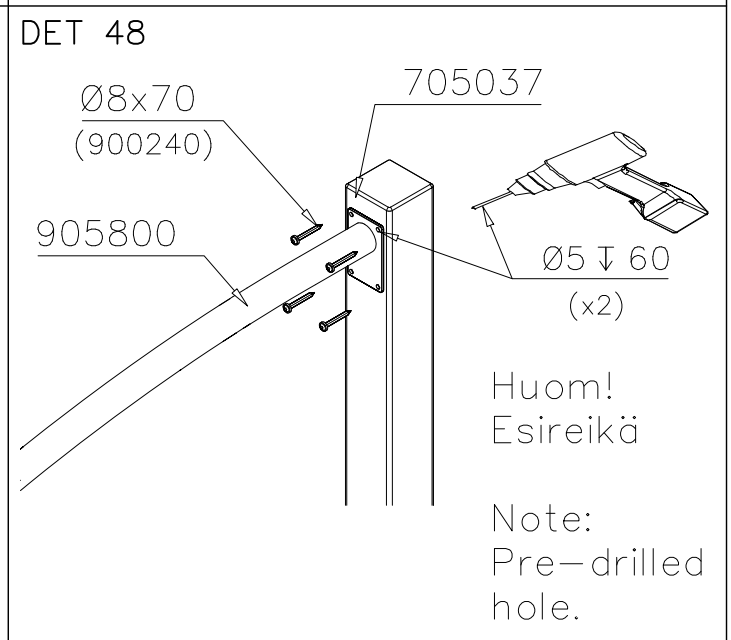
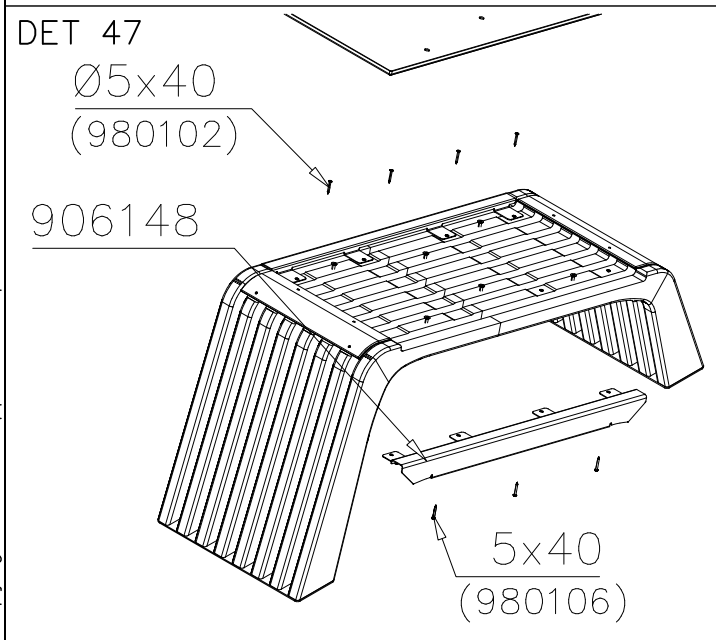
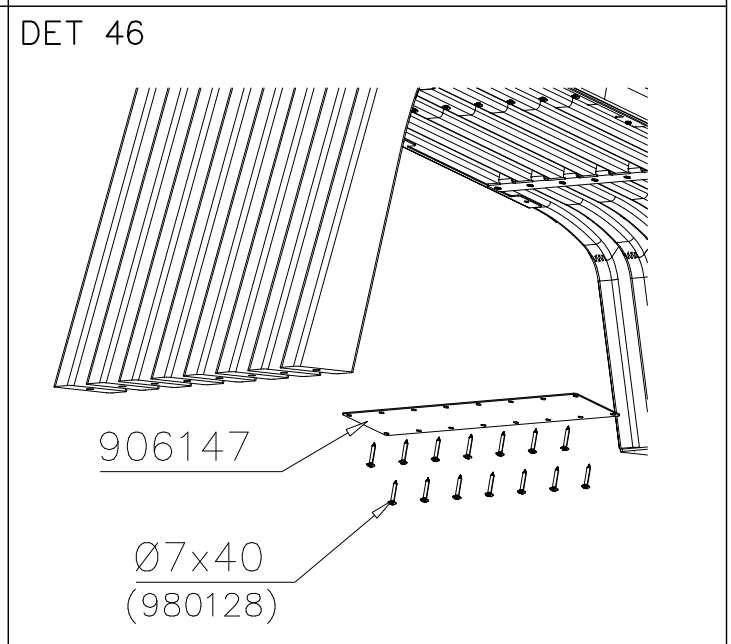
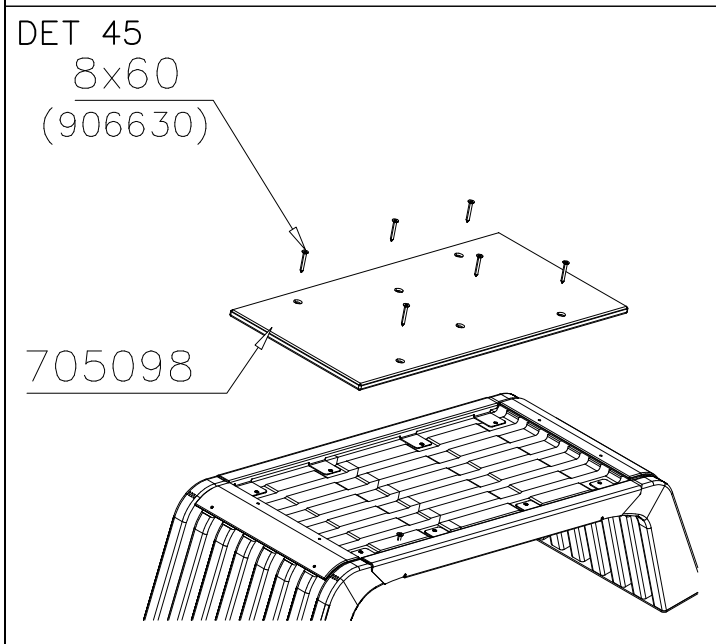
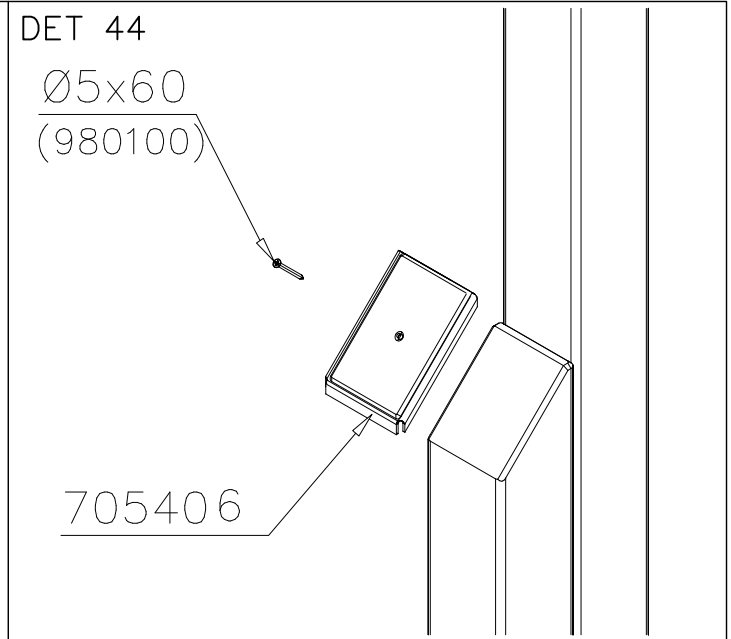
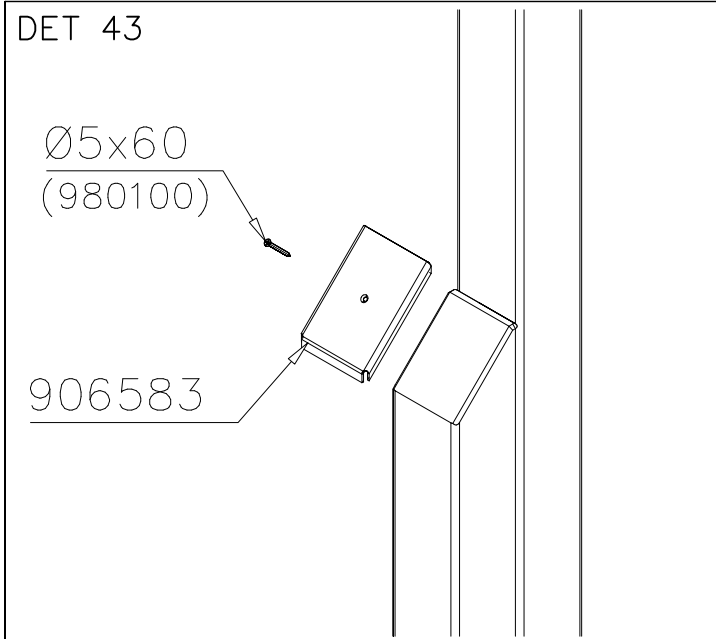


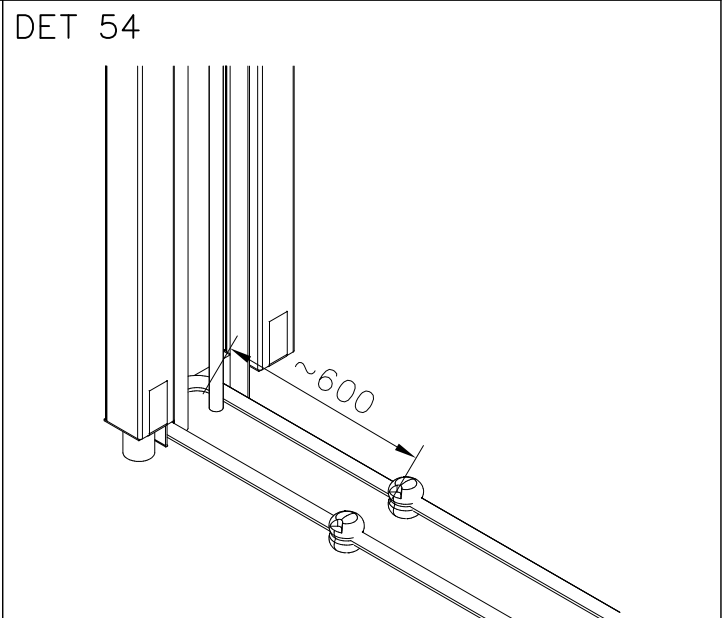
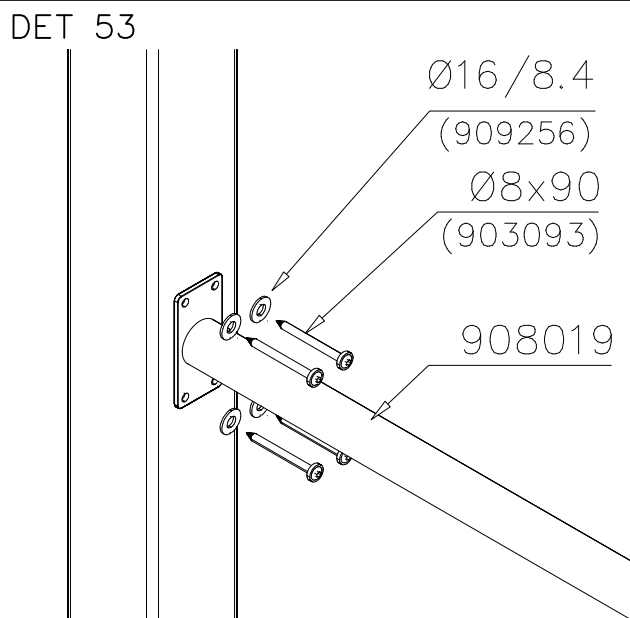
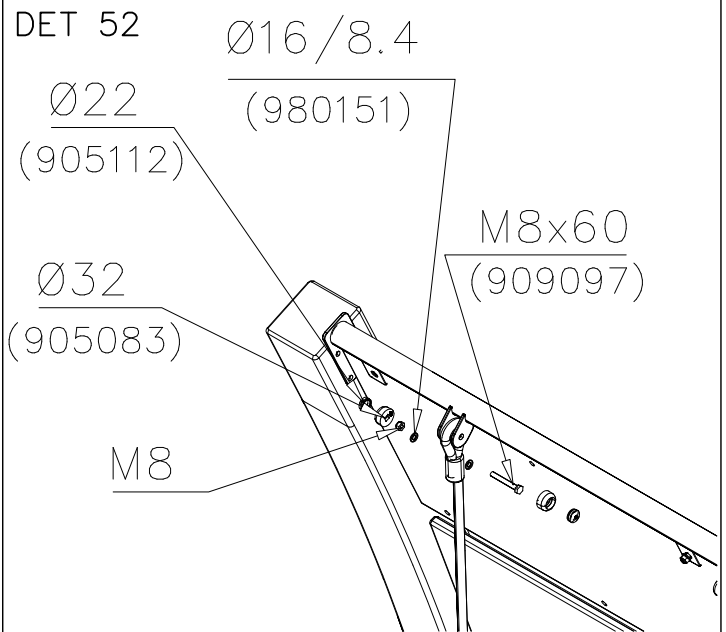
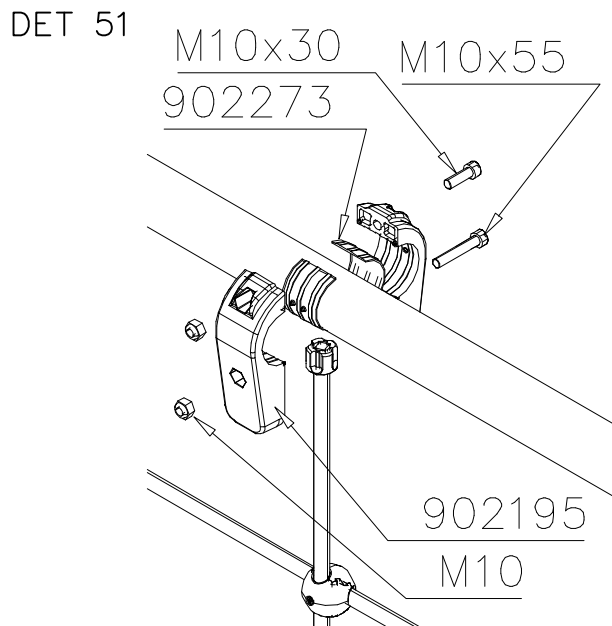
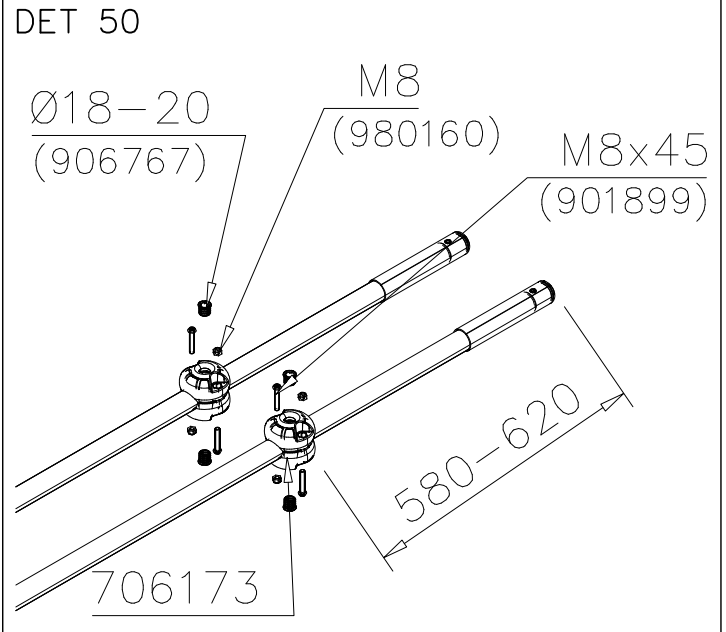
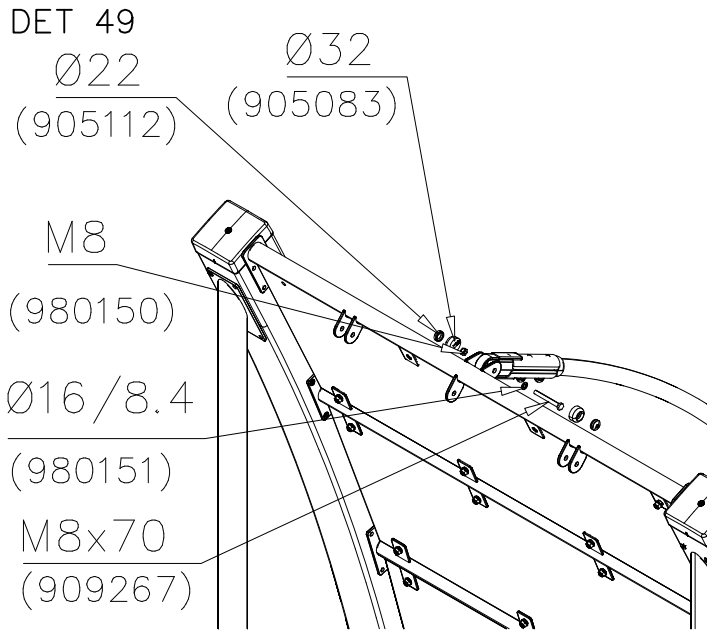
DET 41



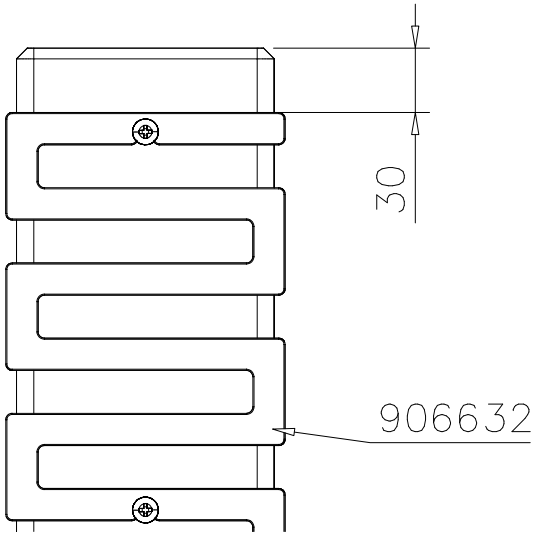
DET 42



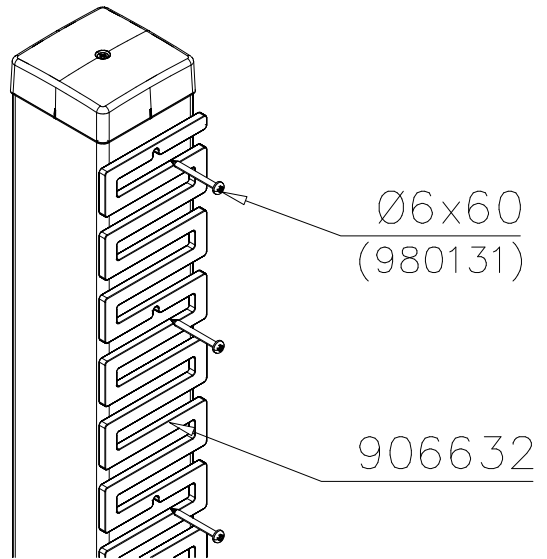




DET 55



DET 56



DET 57

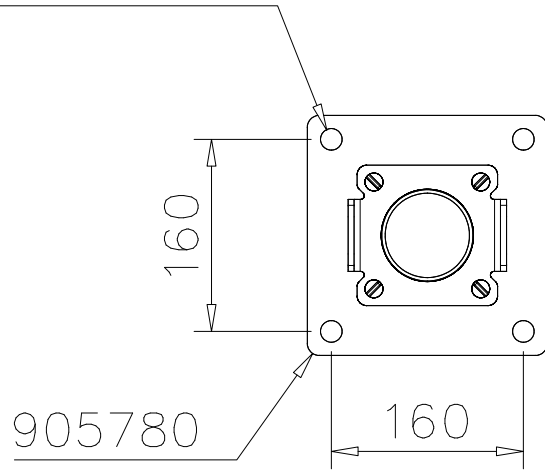
DET 58

DET 59

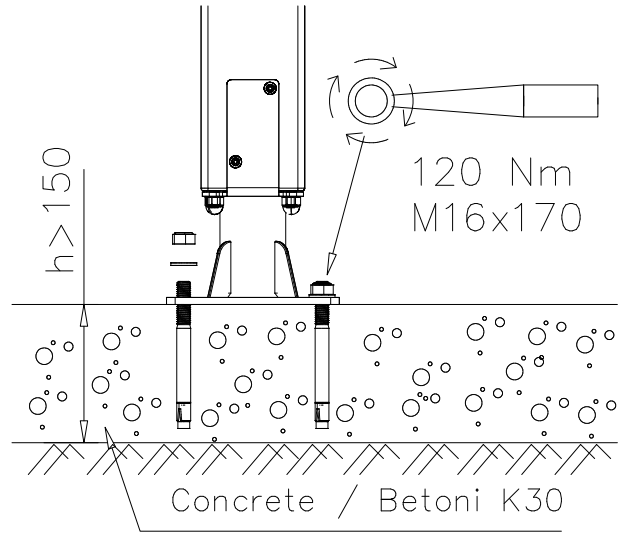
DET 60

DET 1

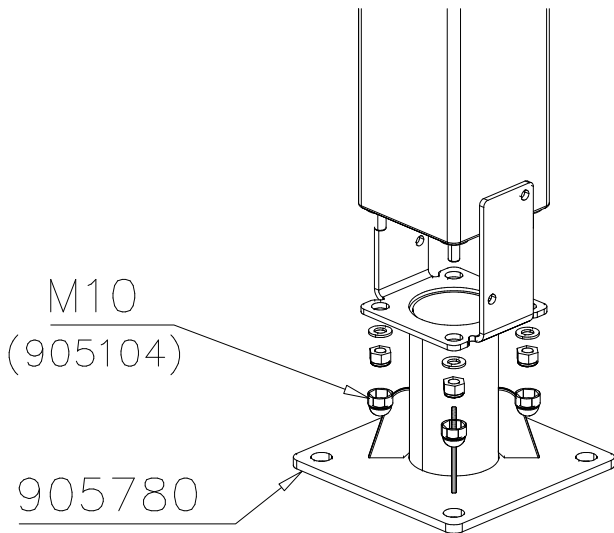
$\varnothing 16 \downarrow > 130$



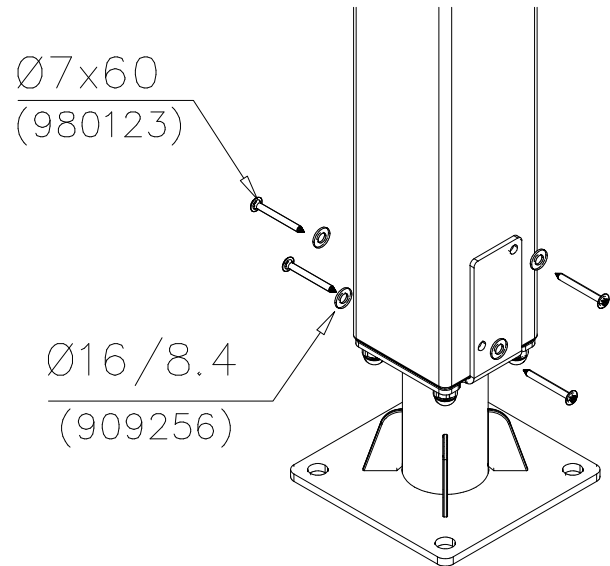
DET 2



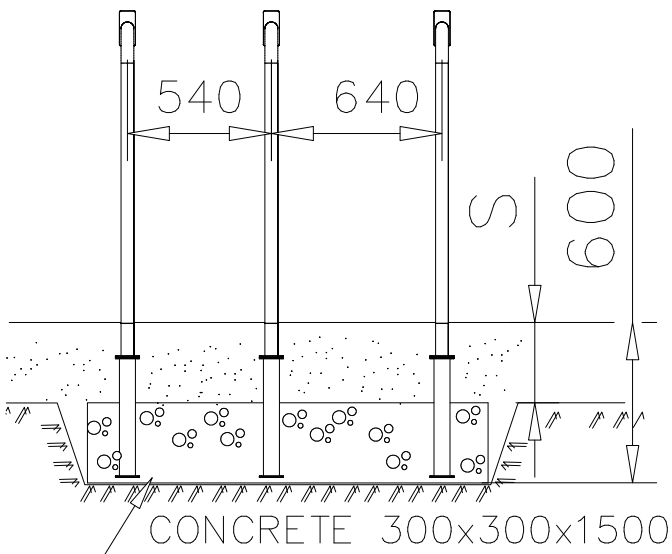
DET 3



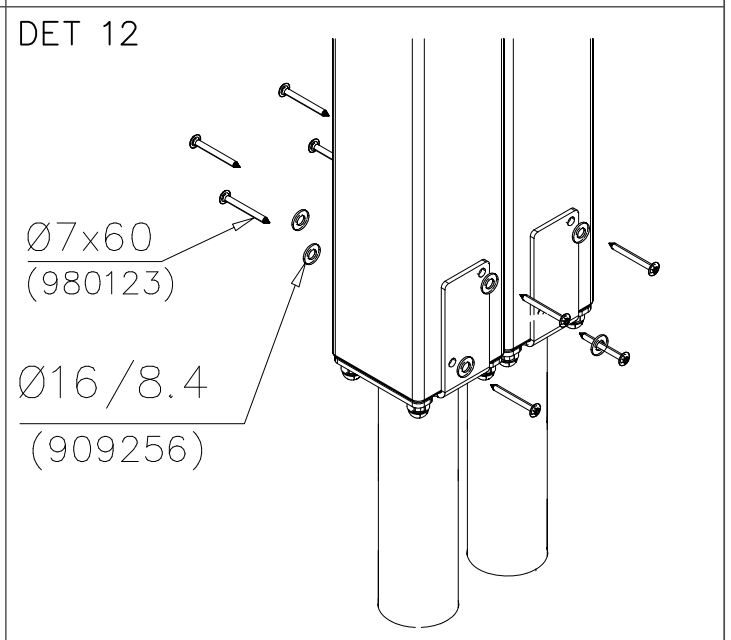
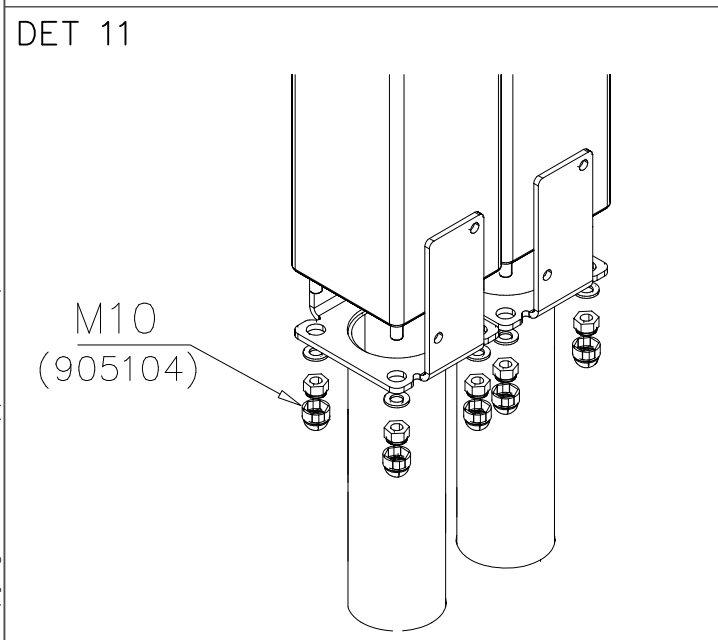
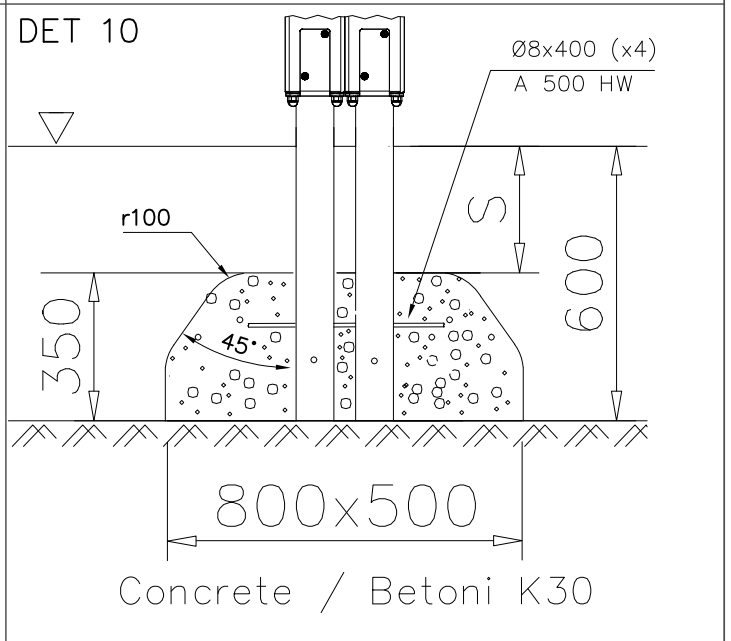
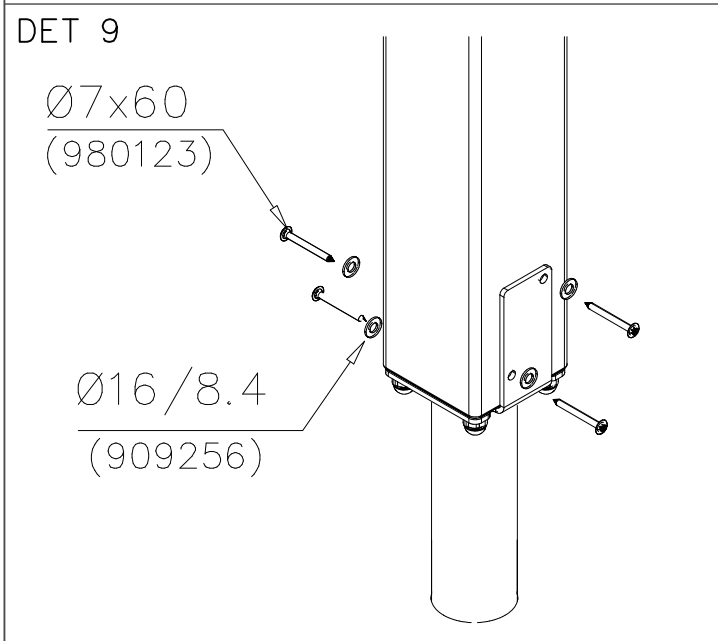
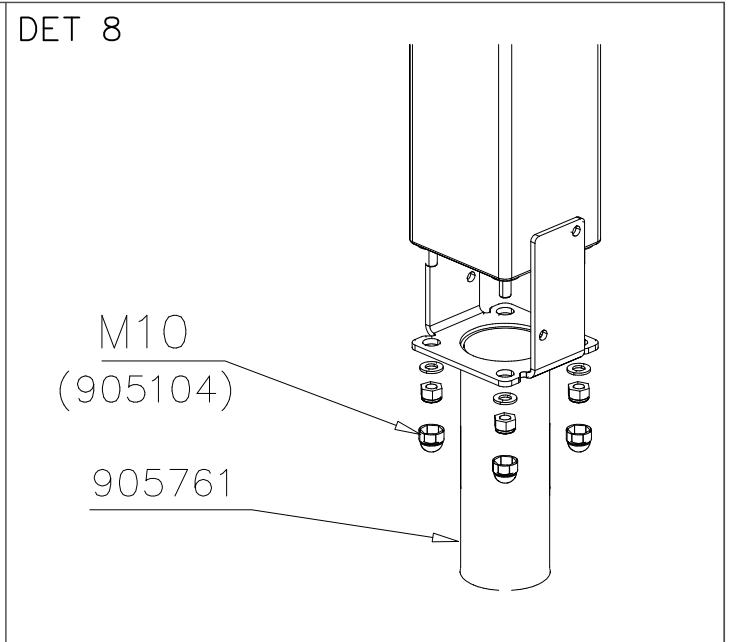
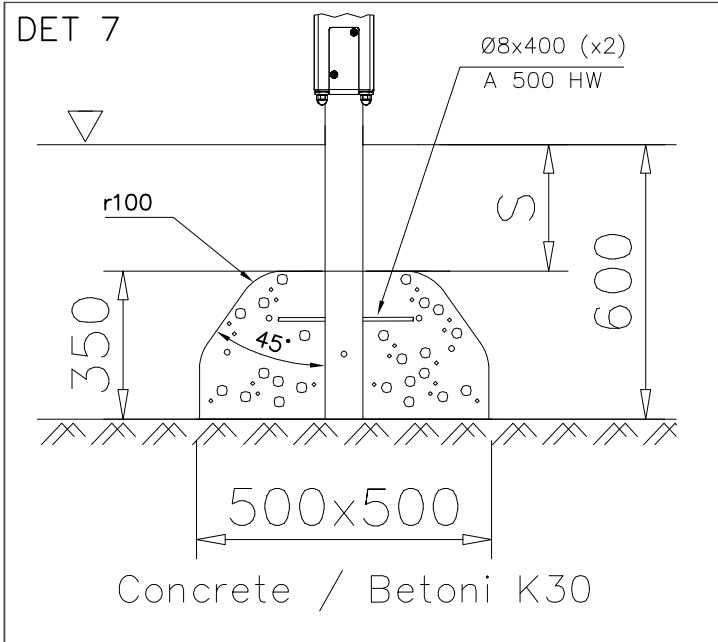
DET 4



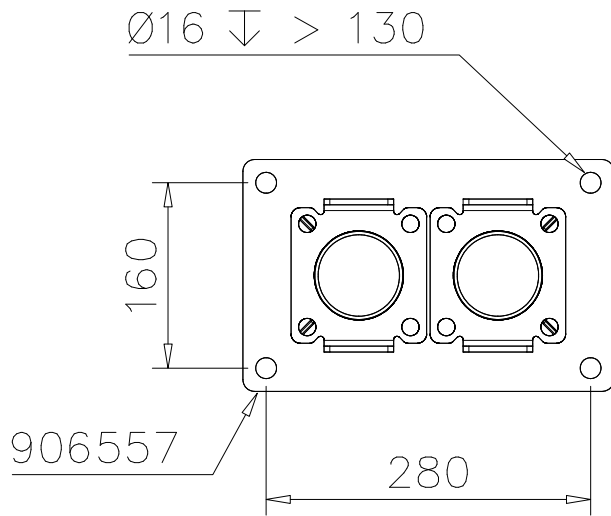
DET 5



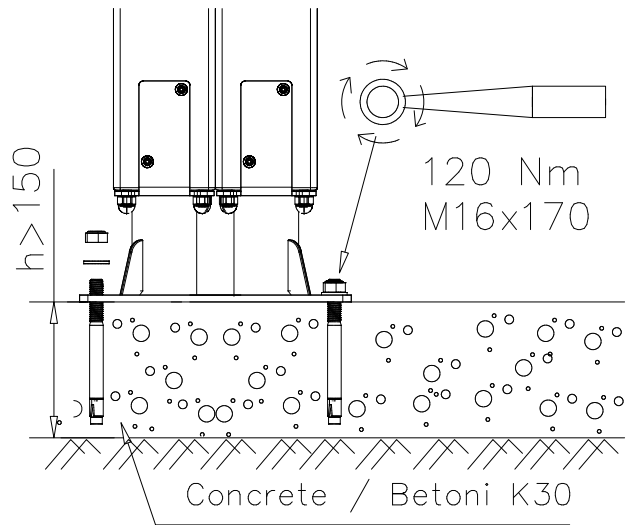
DET 6



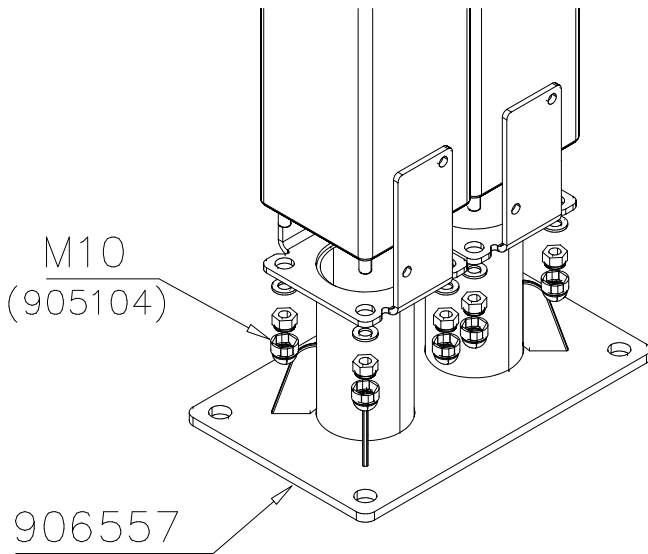
DET 13



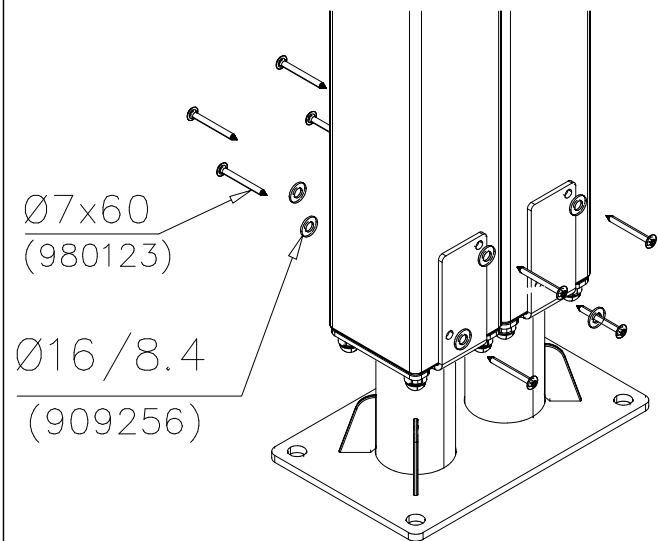
DET 14



DET 15

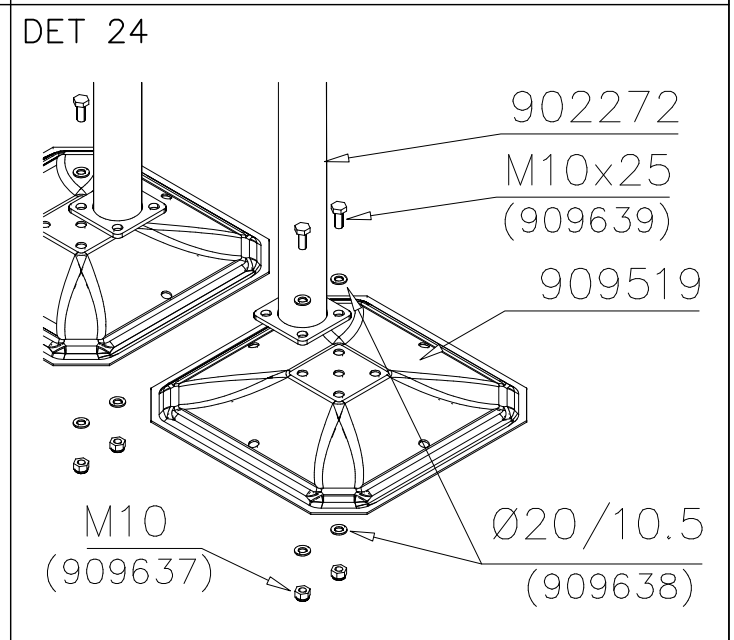
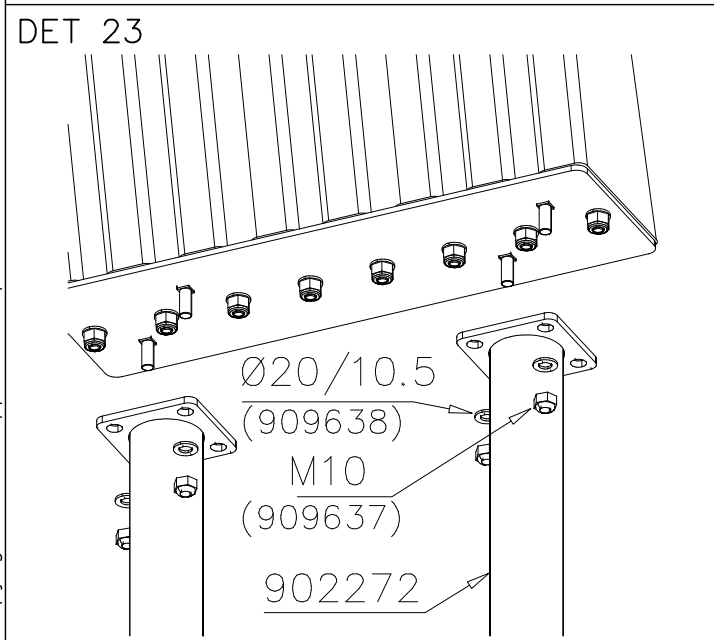
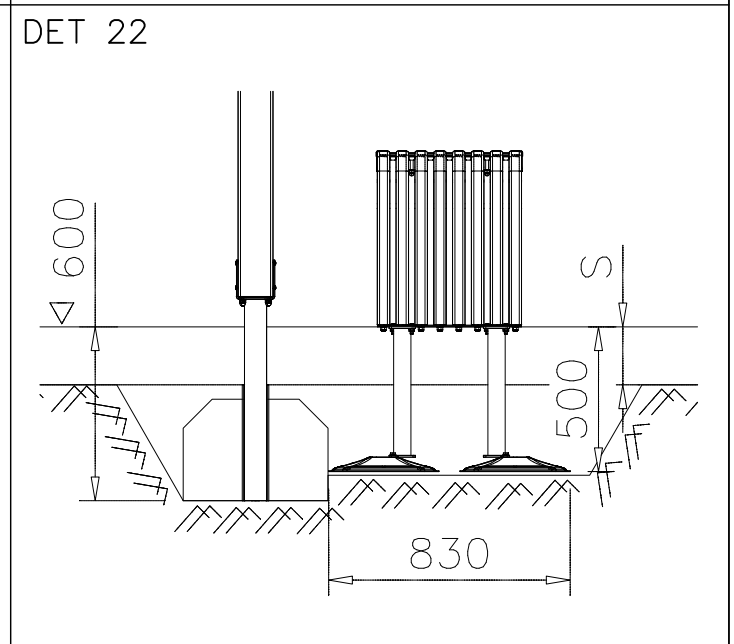
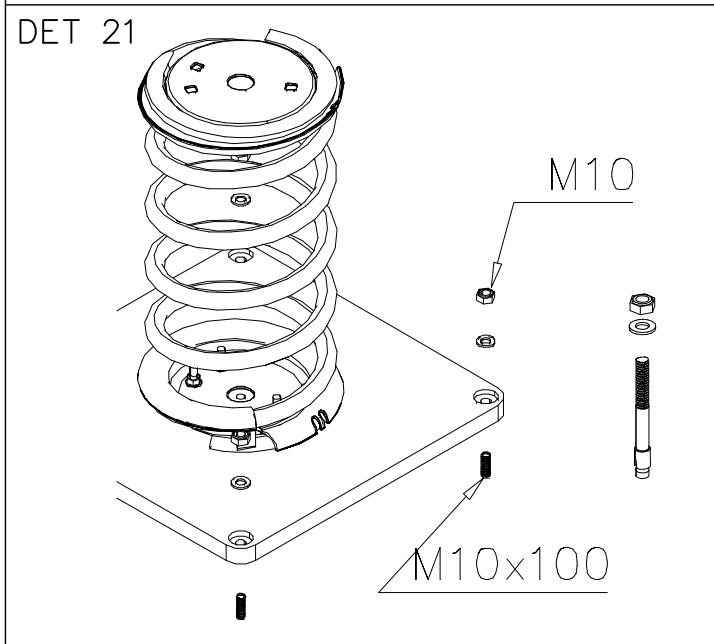
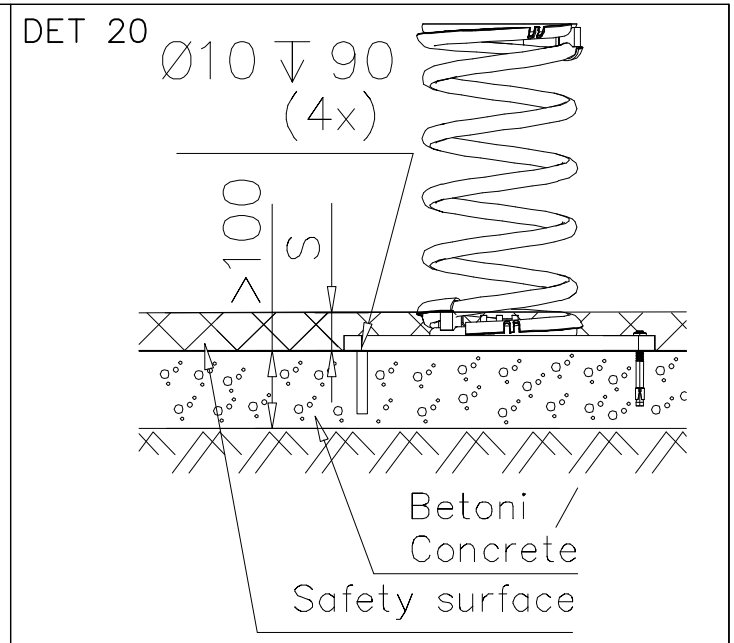
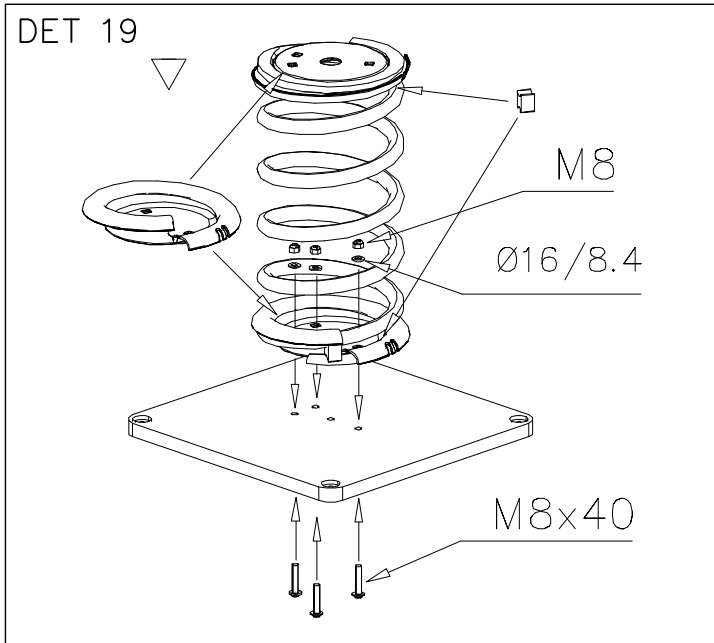


DET 16



DET 17

DET 18

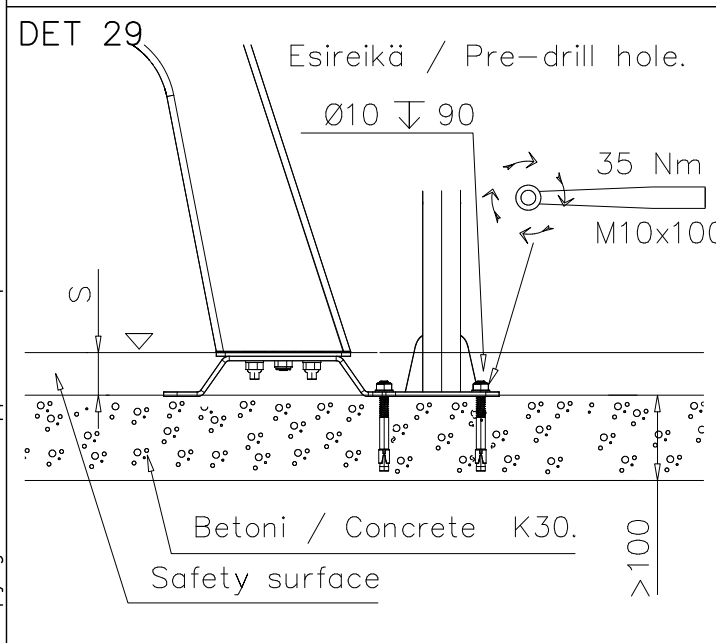
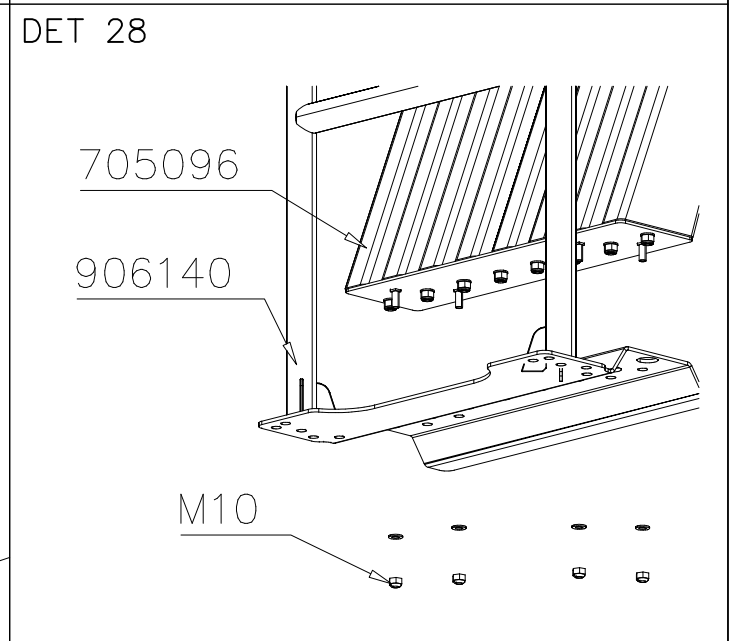
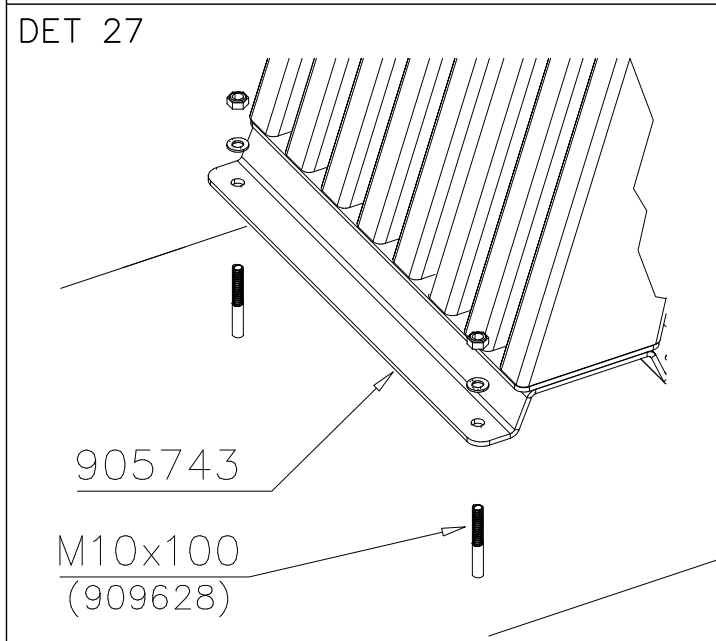
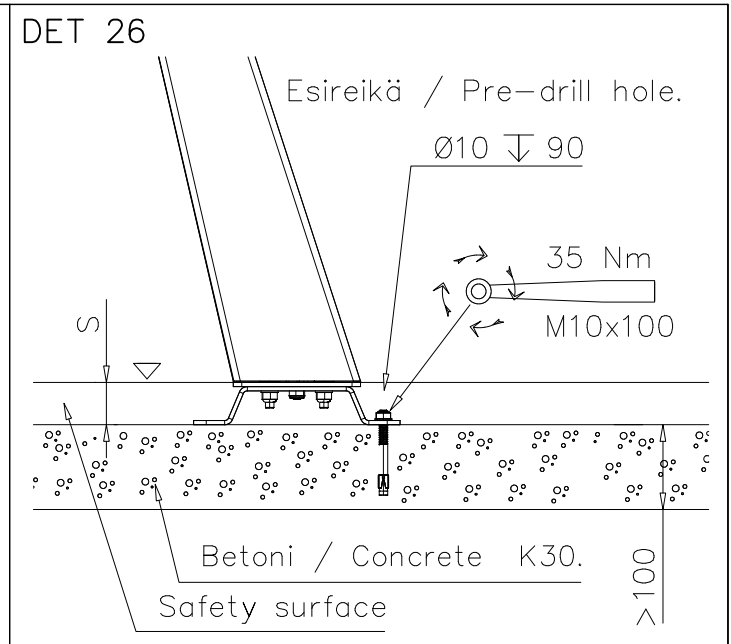
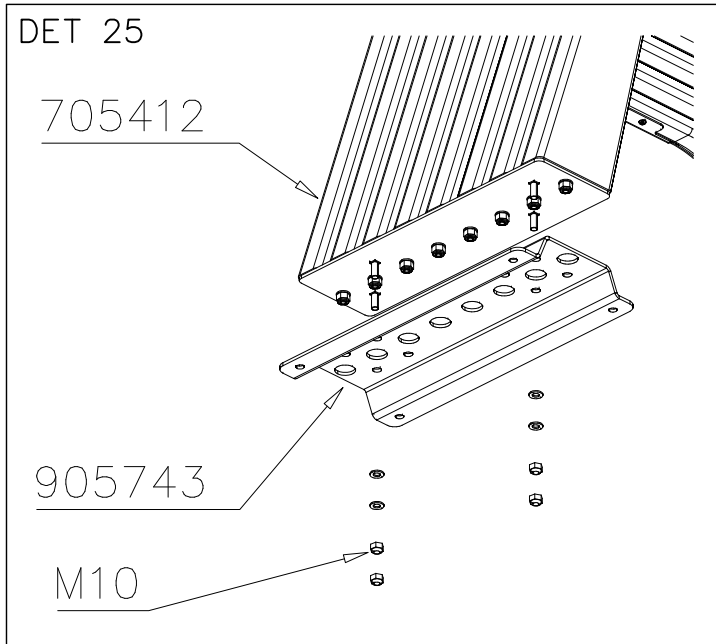


LAPPSET SPORT

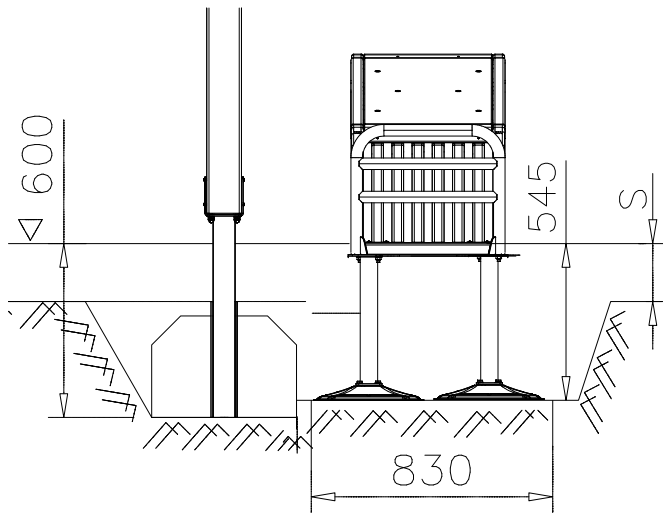
BASE

DATE: 29.4.2015

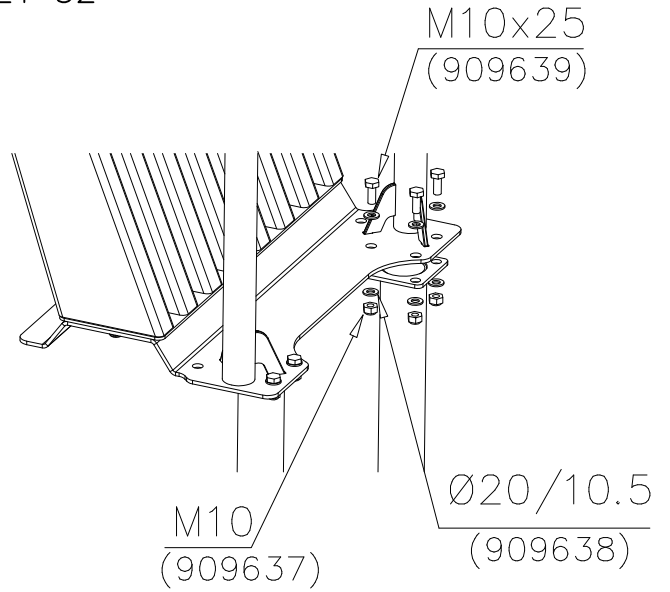
5(10)



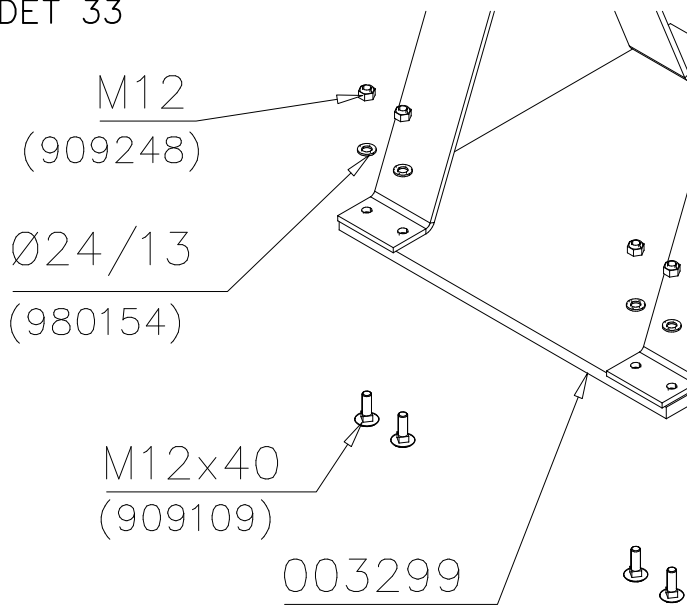
DET 31



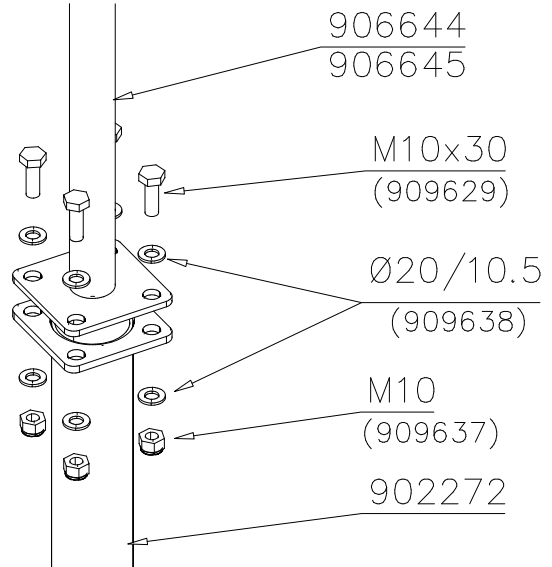
DET 32



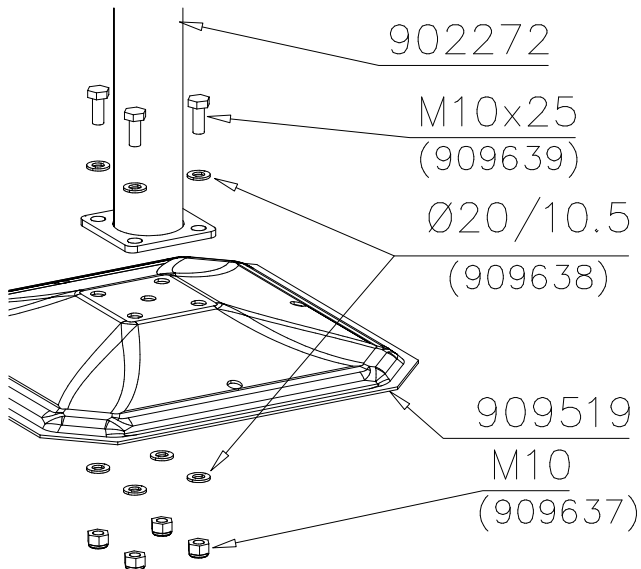
DET 33



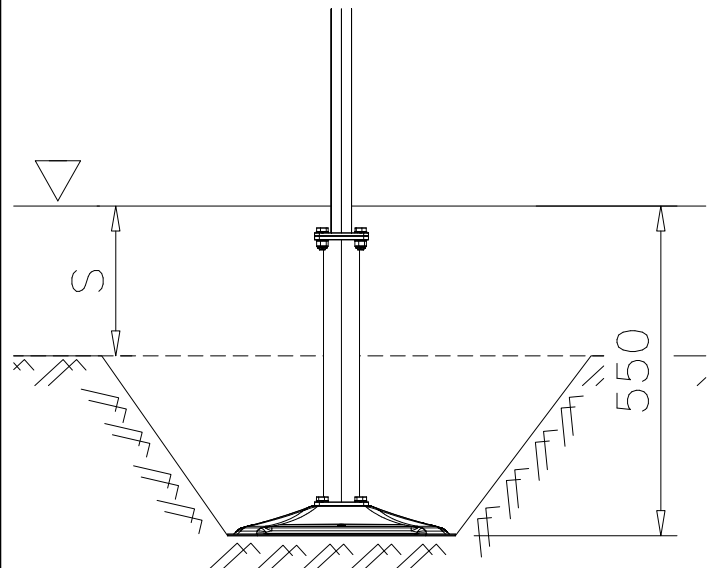
DET 34



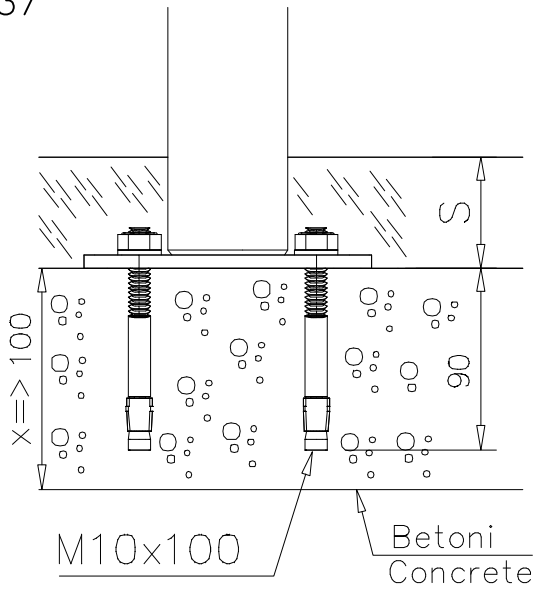
DET 35



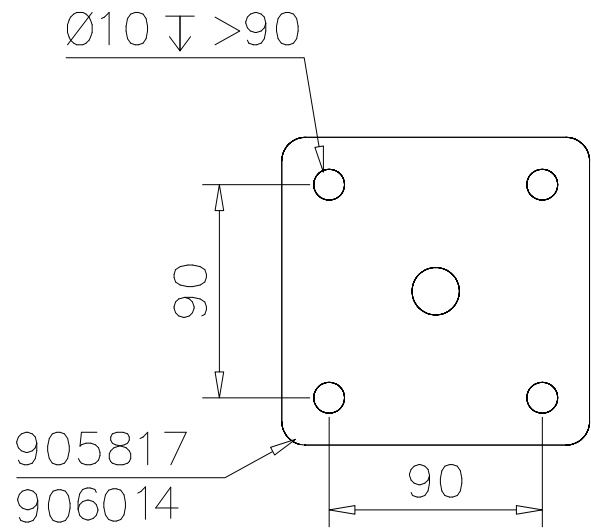
DET 36



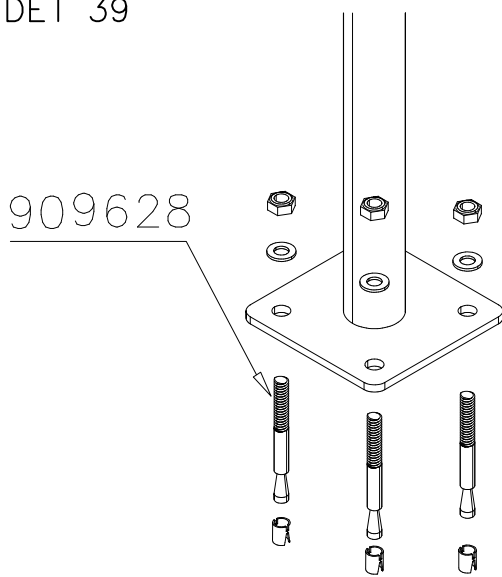
DET 37



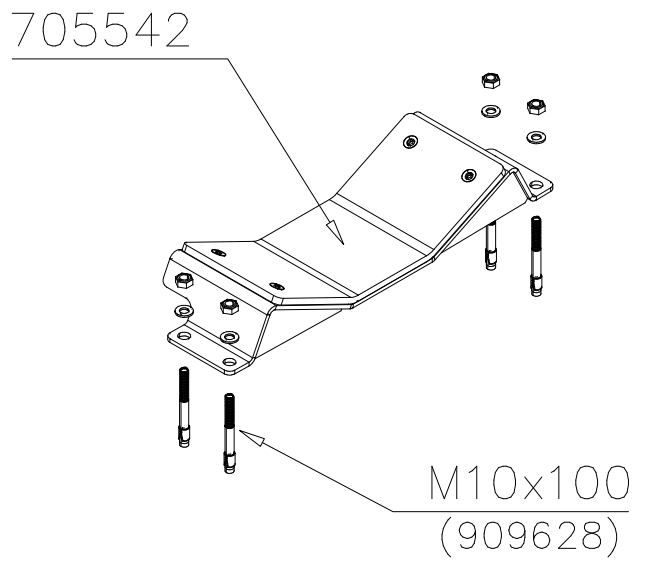
DET 38



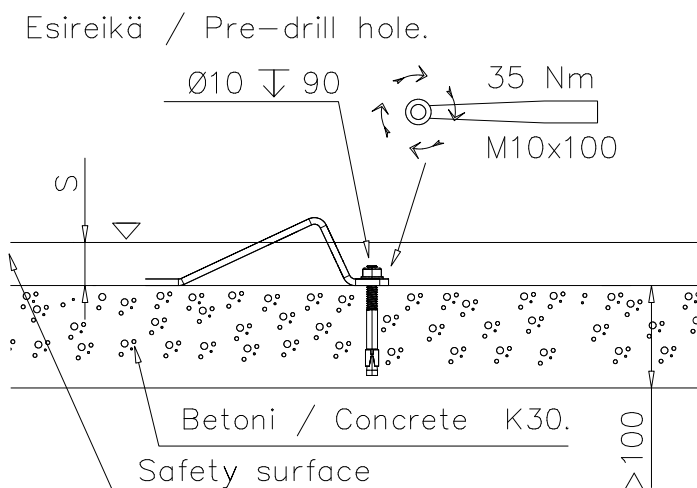
DET 39



DET 40



DET 41



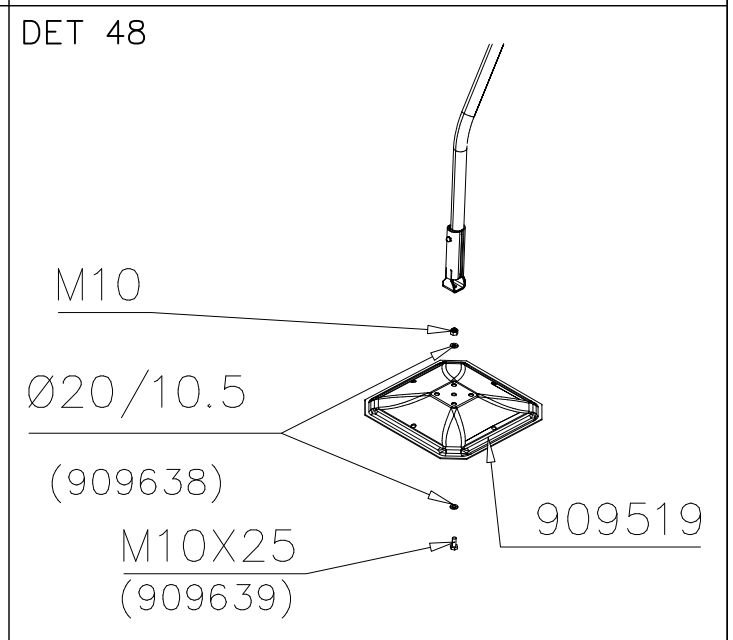
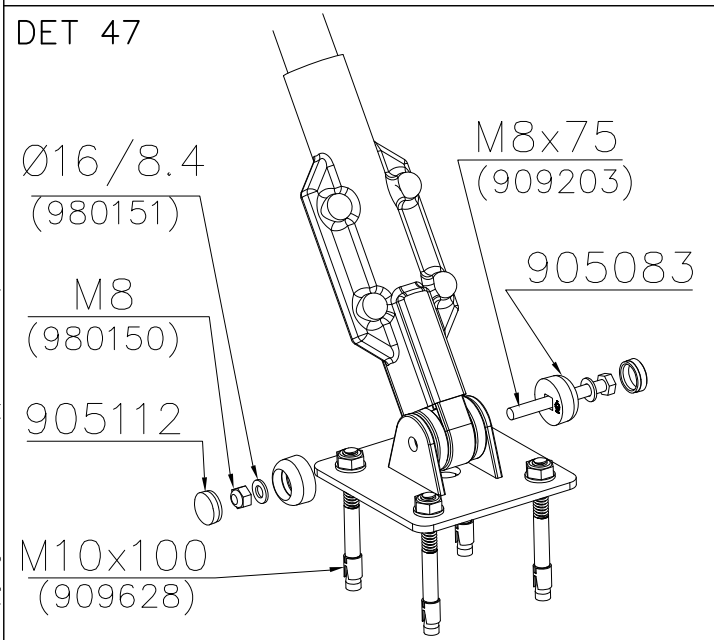
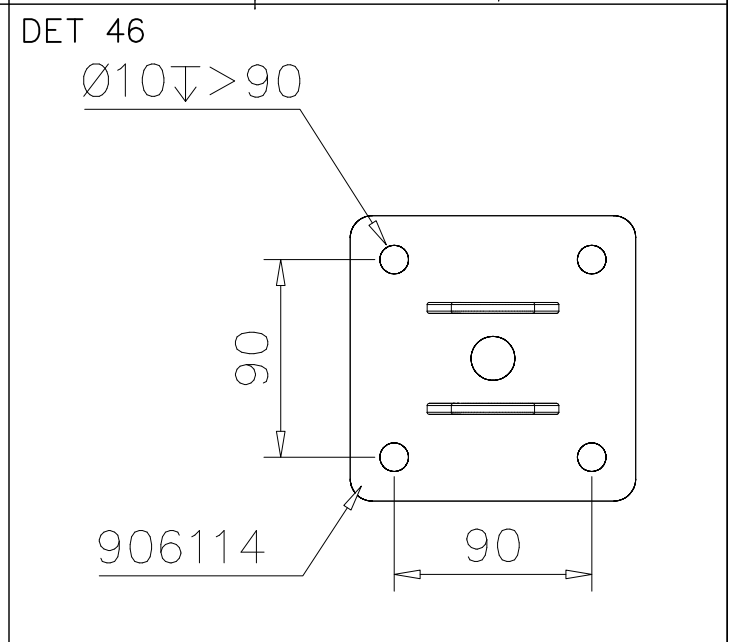
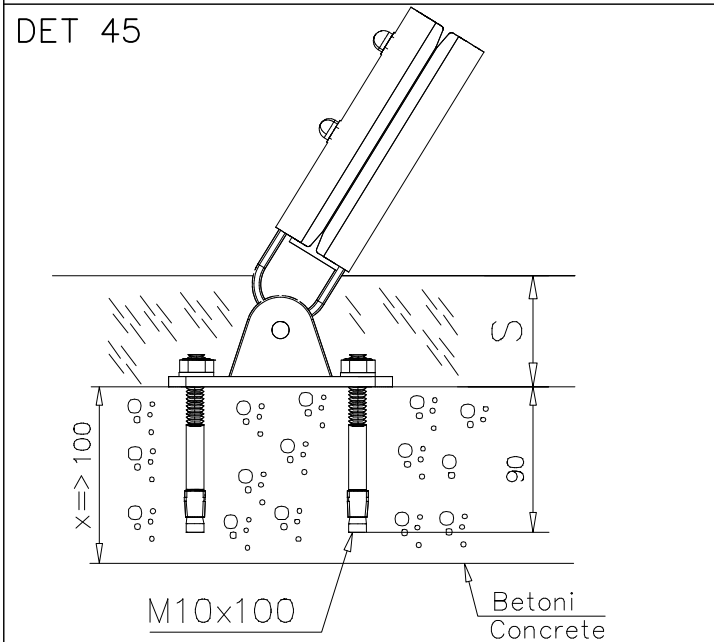
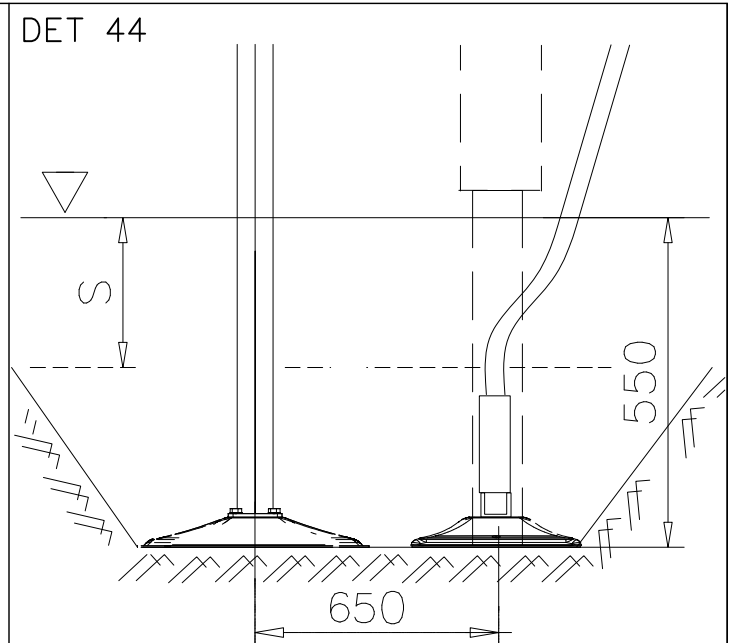
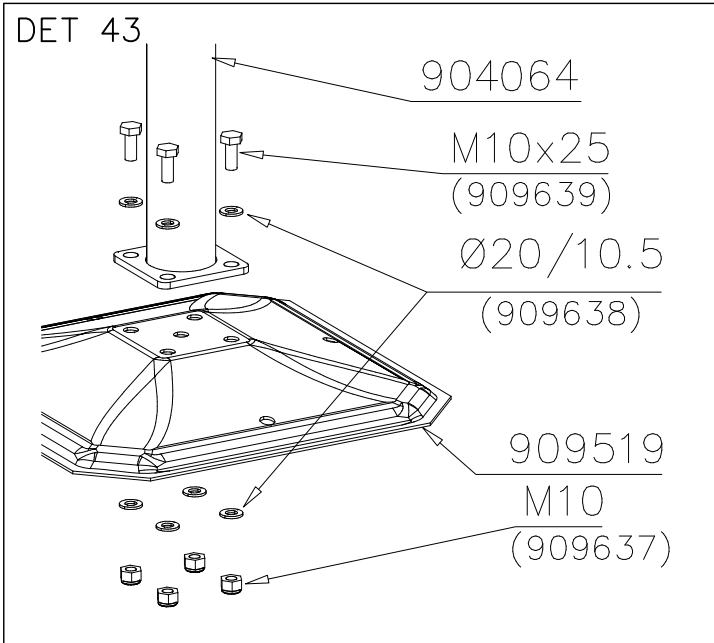
DET 42

LAPPSET SPORT

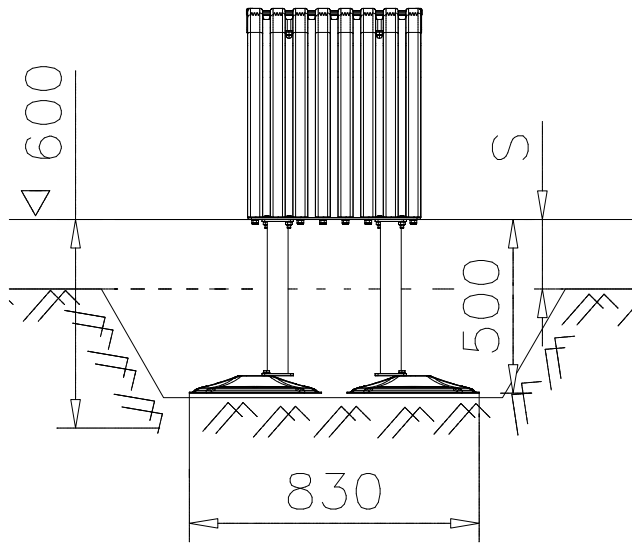
BASE

DATE: 15.8.2017

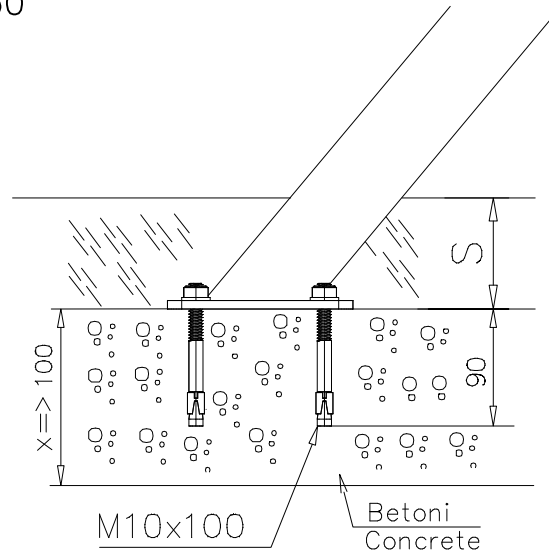
8(10)



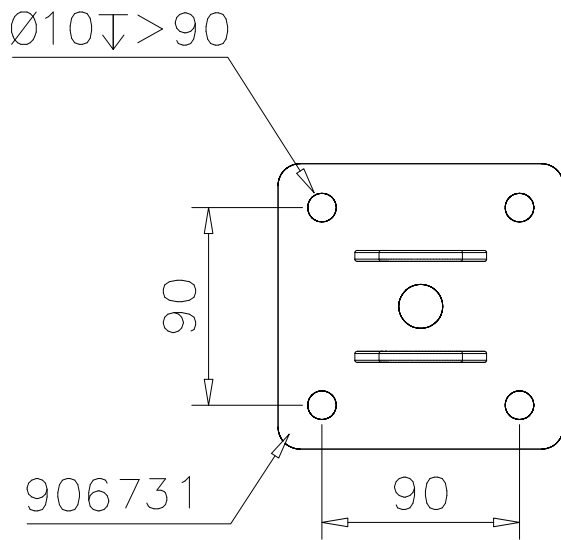
DET 49



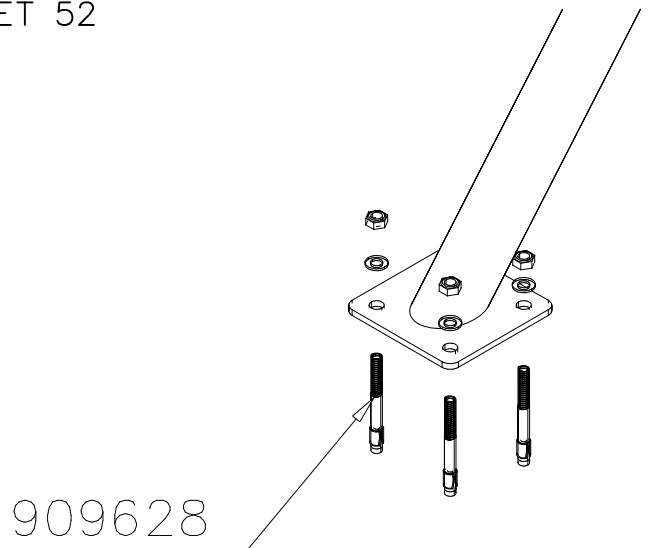
DET 50



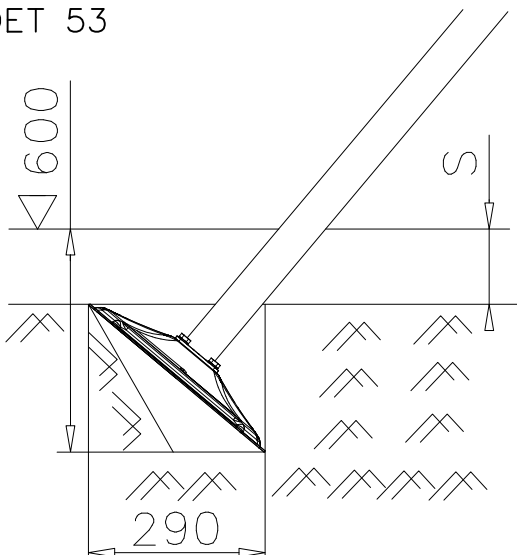
DET 51



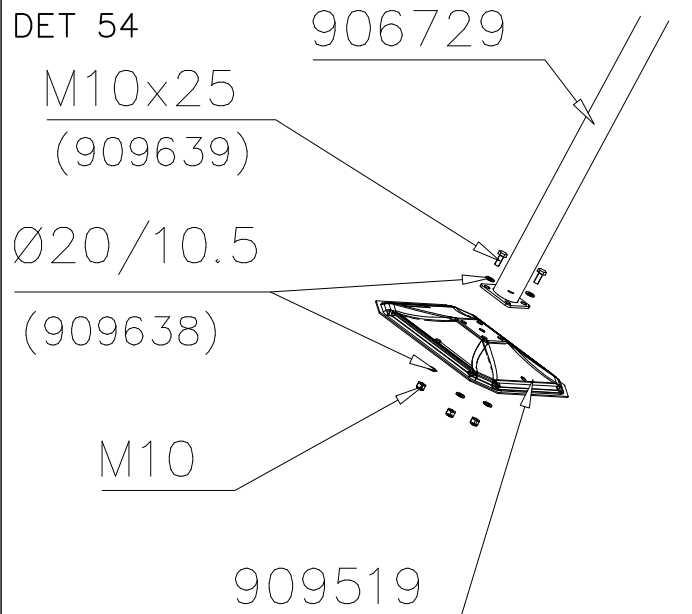
DET 52



DET 53

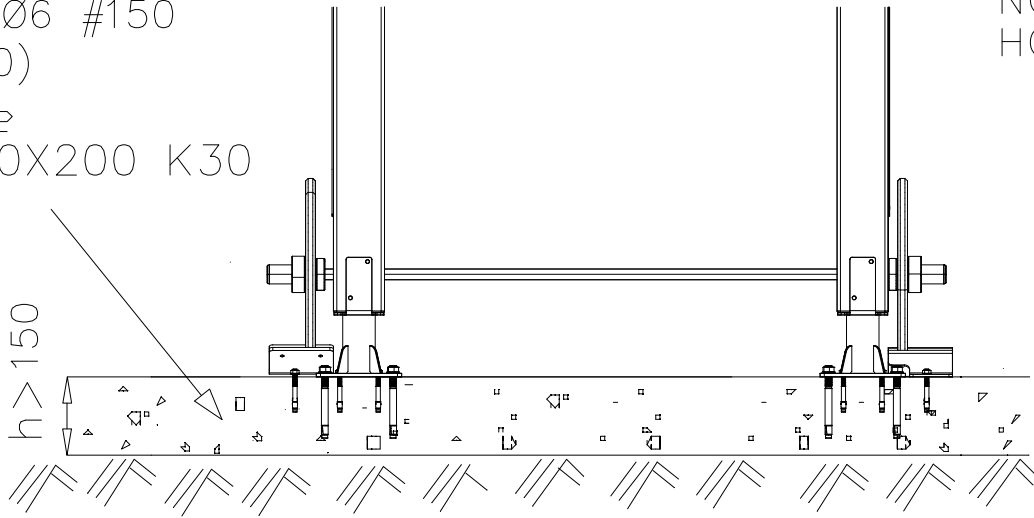


DET 54



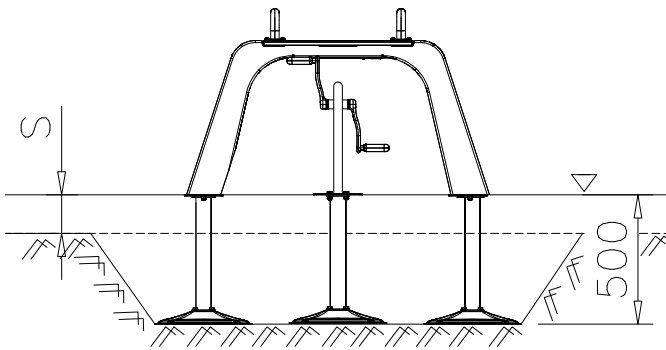
DET 55

STEELNET Ø6 #150
(1400x2100)
Concrete
1500X2200X200 K30

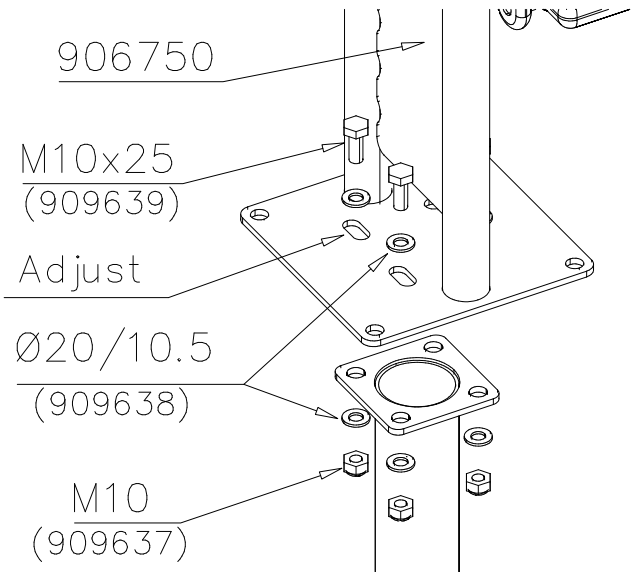


NOTE!
HOX!

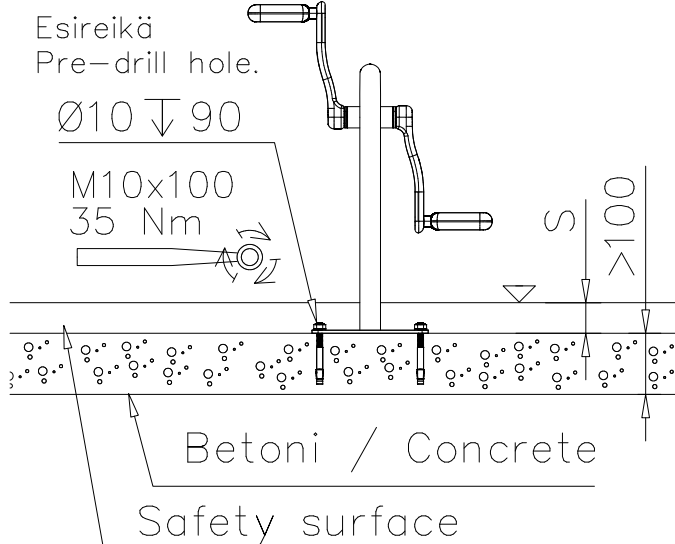
DET 56



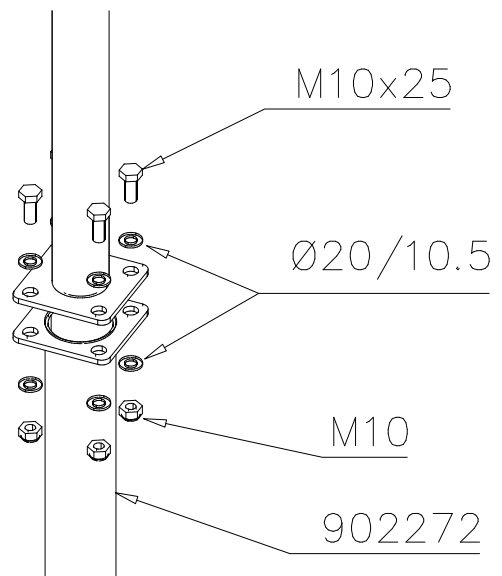
DET 57



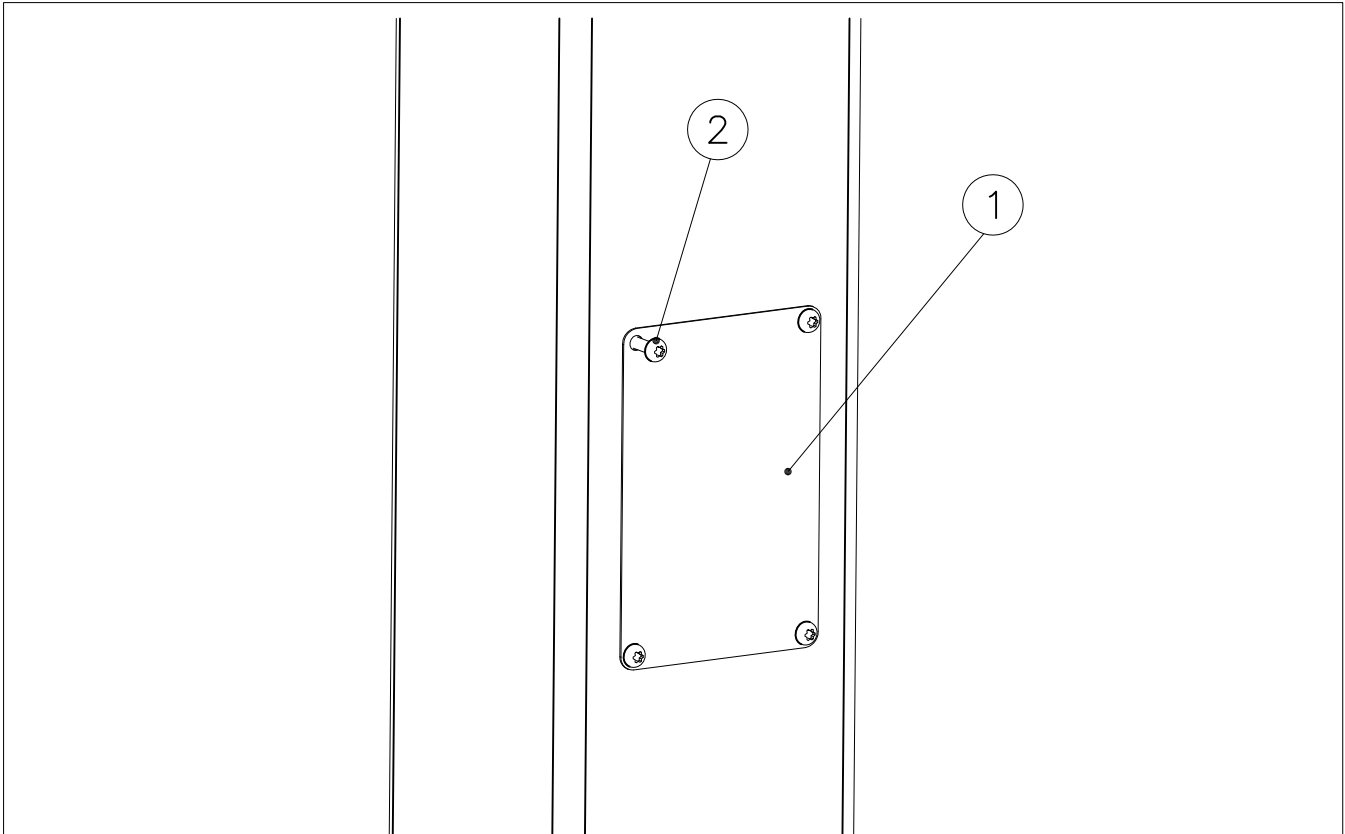
DET 58



DET 59



| | | | |
|---|-----|---|-----|
| ① SHEET METAL | PCS | ② 980114 | PCS |
|  | 1 |  | 4 |
| 118x78x0.7 | | Ø4x20 | |



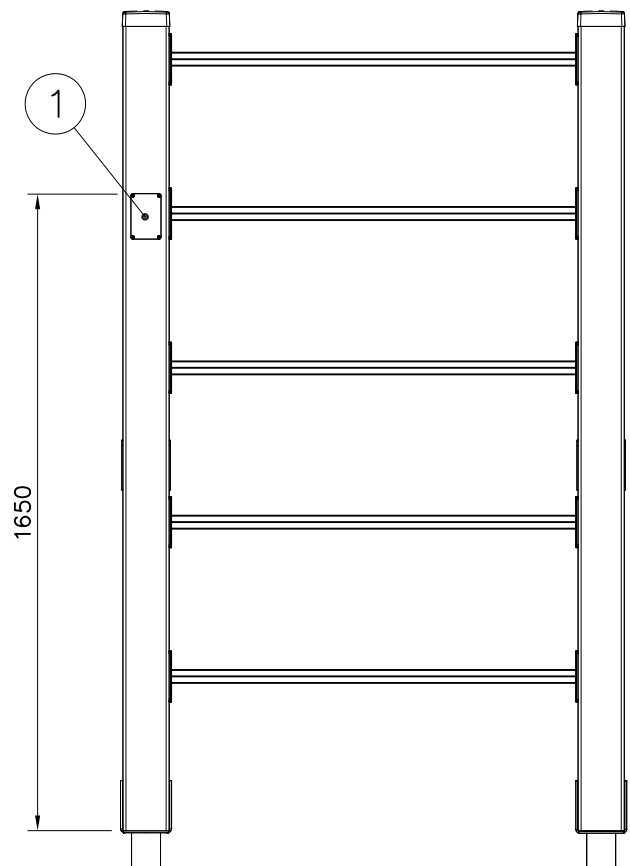
Example installation !
Esimerkki asennus !

Example installation !
Esimerkki asennus !

Example installation !
Esimerkki asennus !



Example installation !
Esimerkki asennus !



Example installation !
Esimerkki asennus !