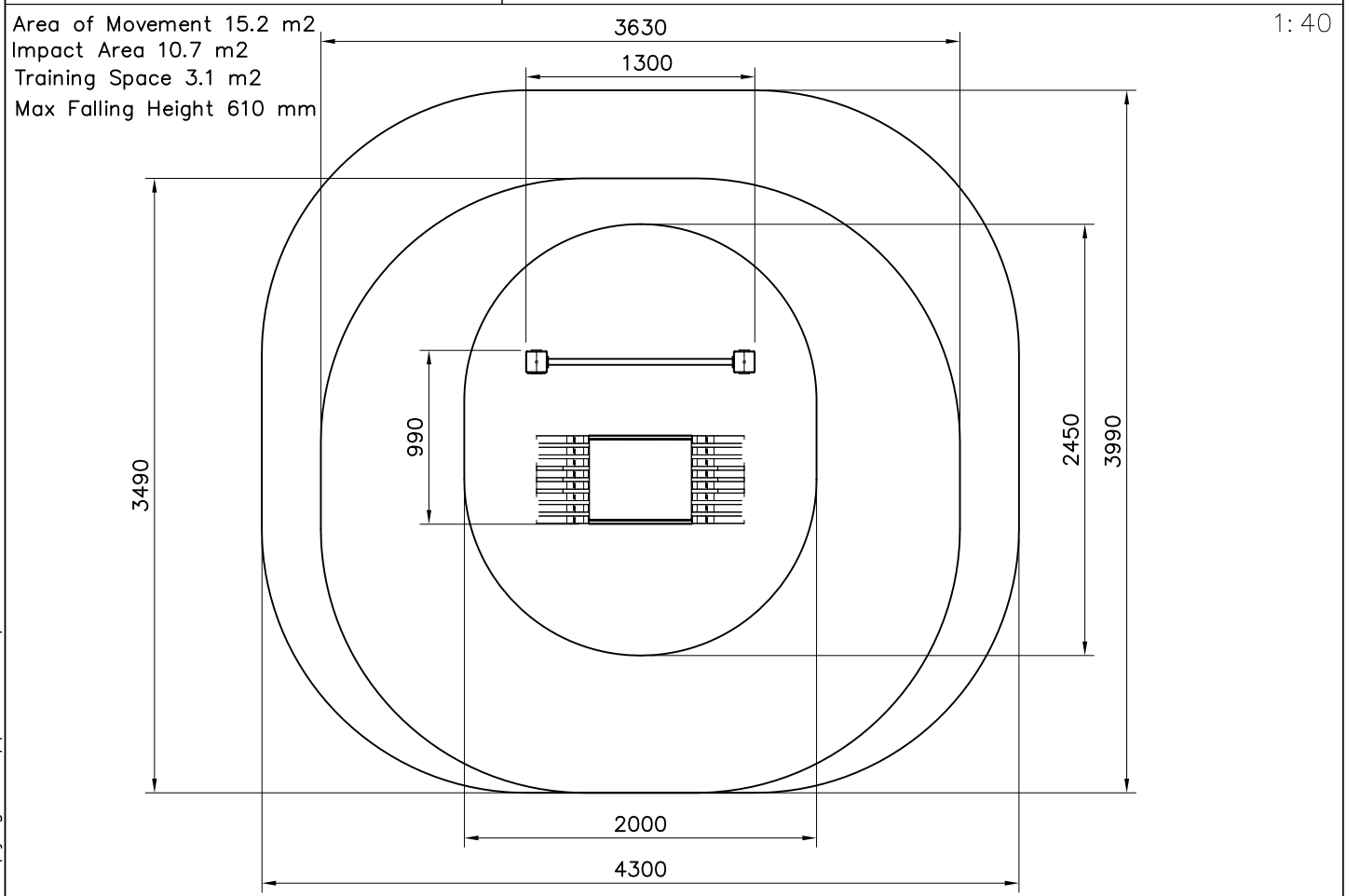
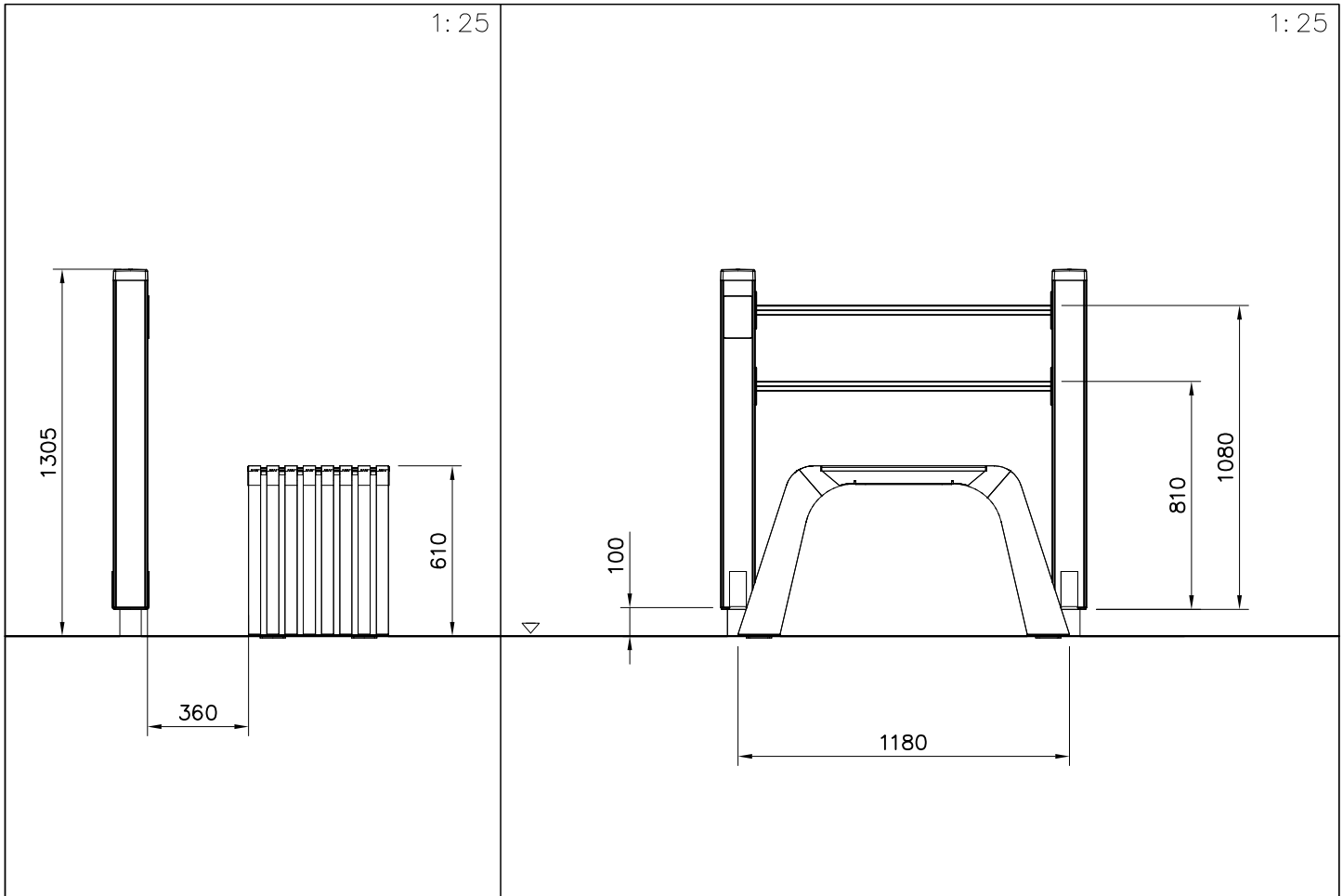


①	706052	PCS	②	705018	PCS
		1			2
				120x120x1170	
③	705412	PCS	④	902272	PCS
		1			4
				90x90x450	
⑤	980114	PCS	⑥	905104	PCS
		4			8
	Ø4x20			M10	
⑦	905761	PCS	⑧	905830	PCS
		2			2
	120x120x700			123x123x40	
⑨	905838	PCS	⑩	909519	PCS
		2			4
	1060 Lime			50x380x380	
⑪	909637	PCS	⑫	909638	PCS
		8			16
	M10			Ø20/10.5	
⑬	909639	PCS	⑭	980104	PCS
		8			2
	M10x25			Ø5x90	
⑮	980123	PCS	⑯	909256	PCS
		24			24
	Ø7x60			Ø16/8.4	

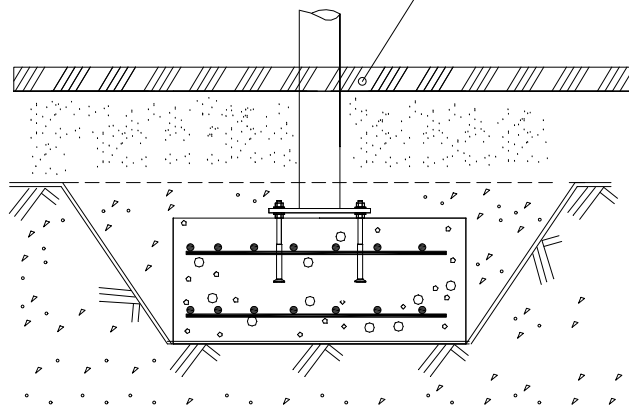


												
<p>$h < 600$</p> <p>Without movement and therefore without Impact Area</p>	<p>Totally hard surfaces.</p> <p>Note. Lappset does <u>not recommend</u> totally hard surfaces at all.</p>	<p>E.g. concrete or asphalt</p> 										
<p>$h < 600$</p> <p>With movement e.g. rocking</p>	<p>Materials with very limited impact attenuating properties.</p>	<p>E.g. wood</p> 										
<p>$h < 1000$</p>	<p>Materials with significant impact attenuating properties.</p>	<p>fine gravel 0–8 mm</p>  <p>grass</p>  <p>unsorted sand</p> 										
<p>$h < 3000$</p>	<p>Loose fill material</p> <p>E.g. sand/gravel 0,25...8 mm D60/D10<3,0 Woodchips 5...30 mm bark 20...80 mm</p>	 <table data-bbox="1024 1691 1332 1792"> <tr> <td>\underline{S}</td> <td>\underline{h}</td> </tr> <tr> <td>30 cm</td> <td>< 2,0 m</td> </tr> <tr> <td>40 cm</td> <td>< 3,0 m</td> </tr> </table>	\underline{S}	\underline{h}	30 cm	< 2,0 m	40 cm	< 3,0 m				
\underline{S}	\underline{h}											
30 cm	< 2,0 m											
40 cm	< 3,0 m											
	<p>Syntethic granulates</p> <table data-bbox="406 1892 758 2060"> <tr> <td>\underline{S}</td> <td>\underline{h}</td> </tr> <tr> <td>40 mm</td> <td>~> 1,2...1,3 m</td> </tr> <tr> <td>50 mm</td> <td>~> 1,5...1,7 m</td> </tr> <tr> <td>60 mm</td> <td>~> 1,8...2,0 m</td> </tr> <tr> <td>70 mm</td> <td>~> 2,1...2,5 m</td> </tr> </table> <p>Note. For accurate values, see manufacturer's instructions.</p>	\underline{S}	\underline{h}	40 mm	~> 1,2...1,3 m	50 mm	~> 1,5...1,7 m	60 mm	~> 1,8...2,0 m	70 mm	~> 2,1...2,5 m	
\underline{S}	\underline{h}											
40 mm	~> 1,2...1,3 m											
50 mm	~> 1,5...1,7 m											
60 mm	~> 1,8...2,0 m											
70 mm	~> 2,1...2,5 m											

REMOVE SAFETY SURFACE/SAND/GRAVEL
TO CHECK FOUNDATION



REMOVE SAFETY SURFACE/SAND/GRAVEL
TO CHECK FOUNDATION



DET 1



DET 2



DET 3



DET 4



DET 5

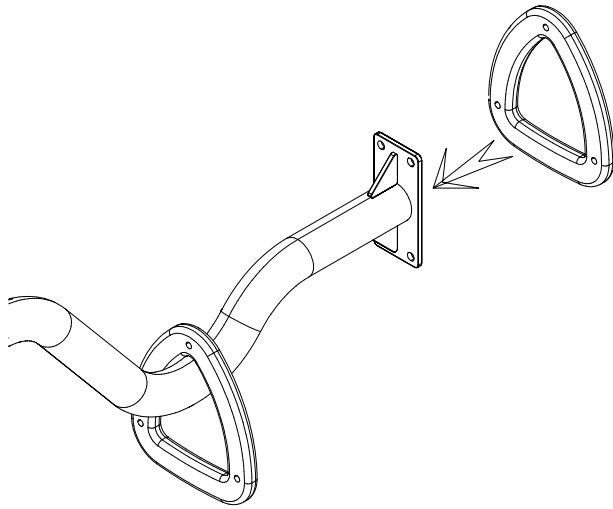


DET 6

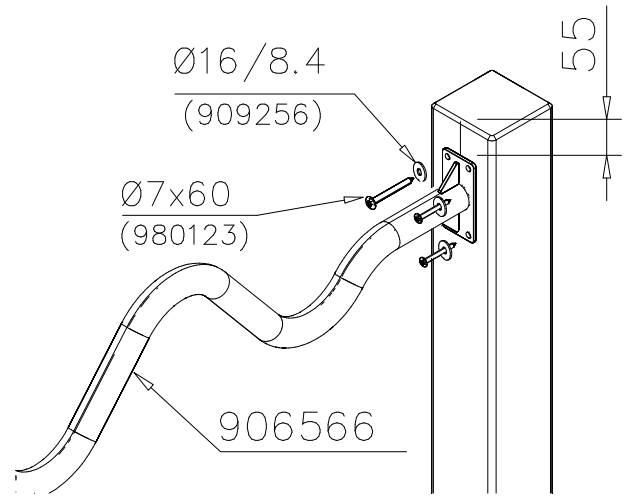




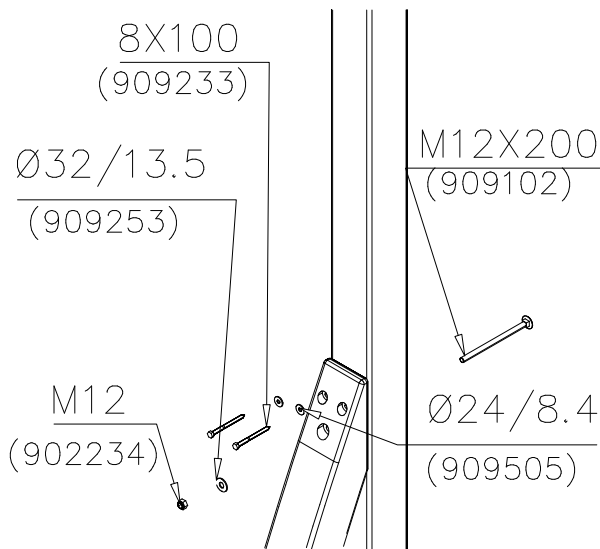
DET 13



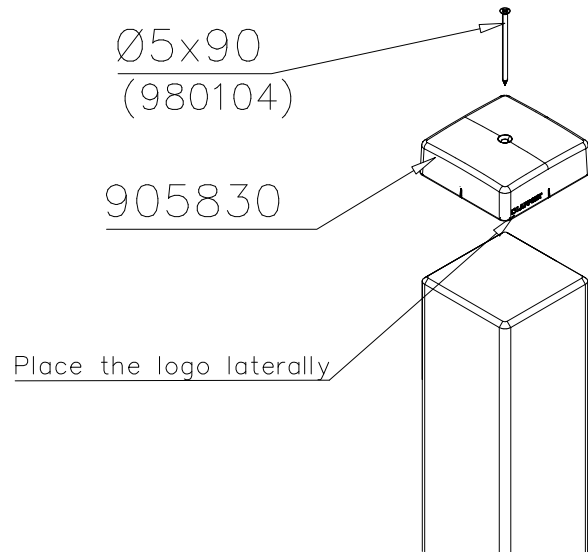
DET 14



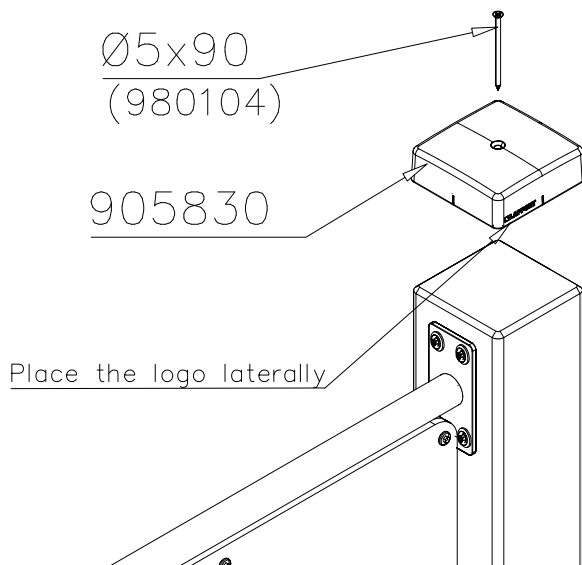
DET 15



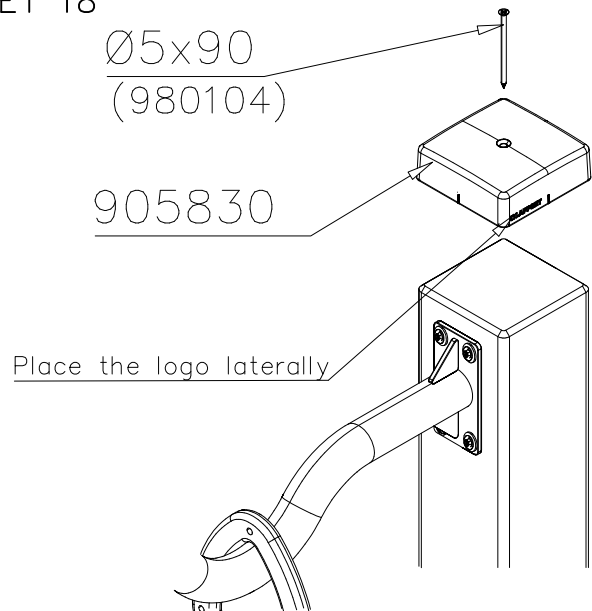
DET 16

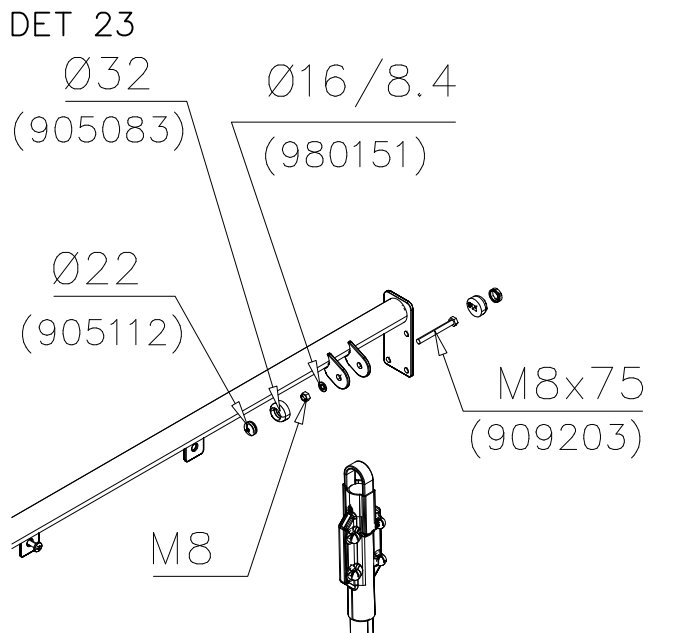
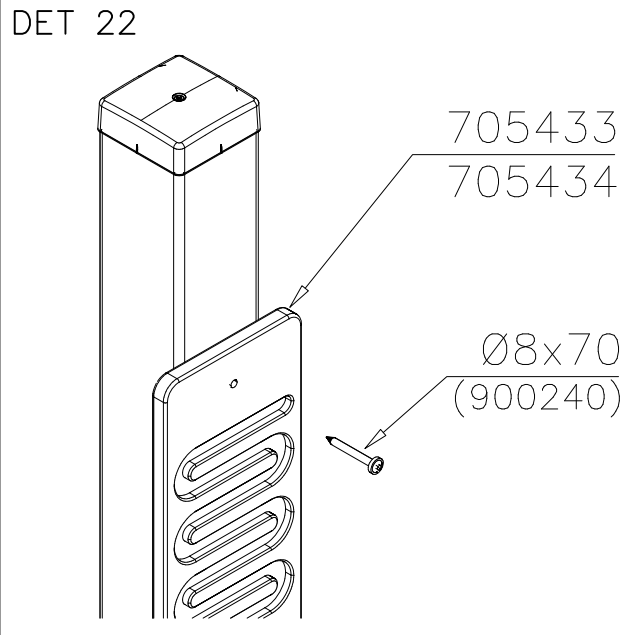
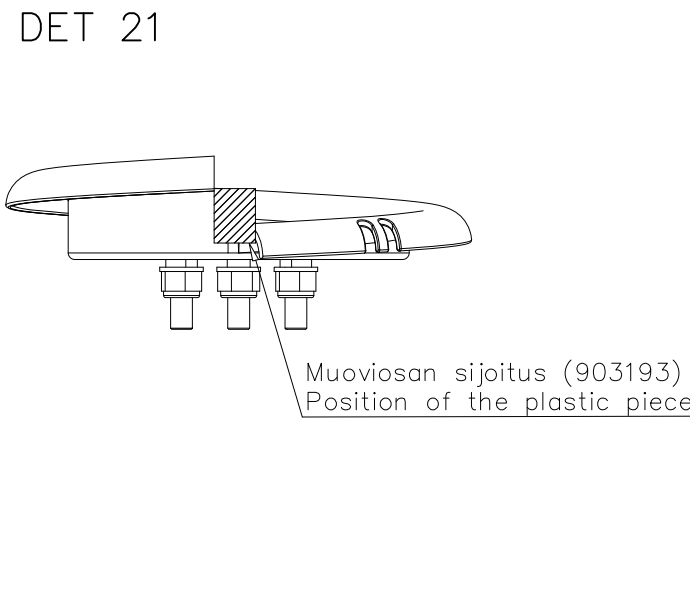
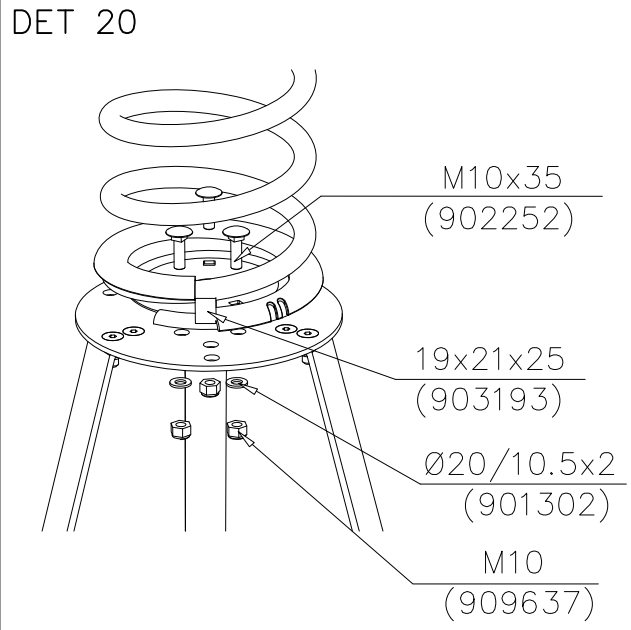
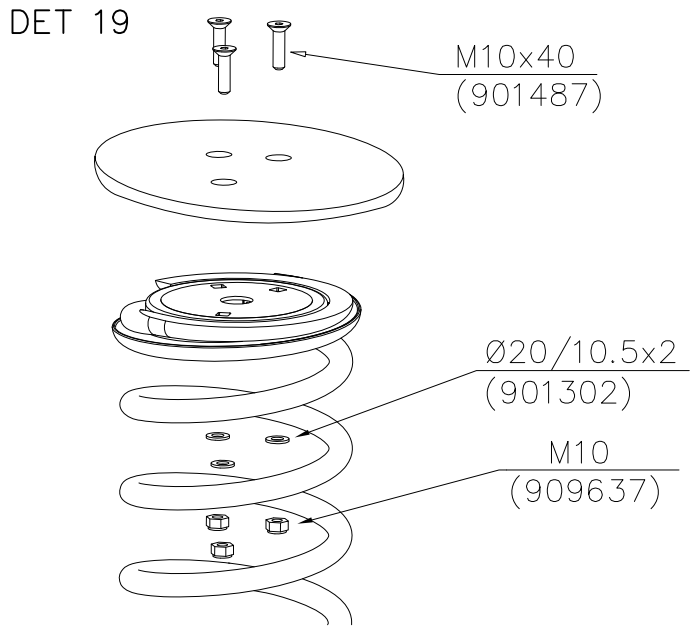


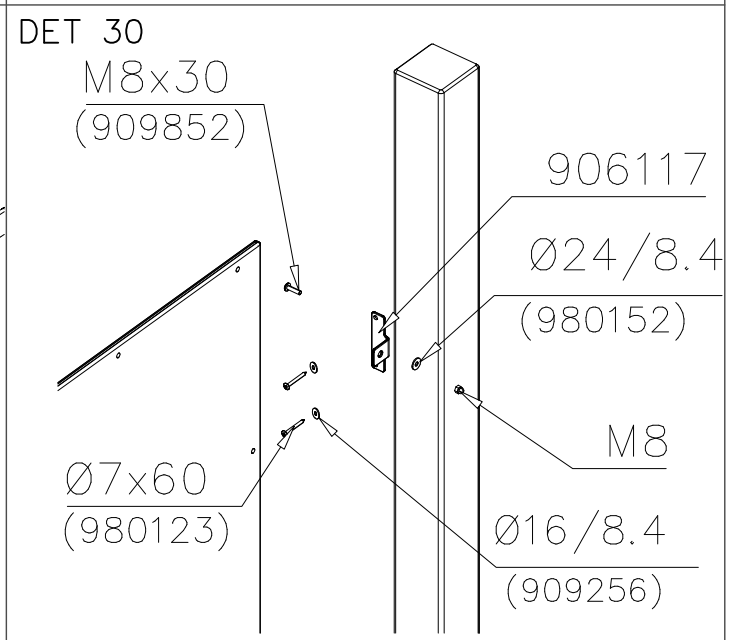
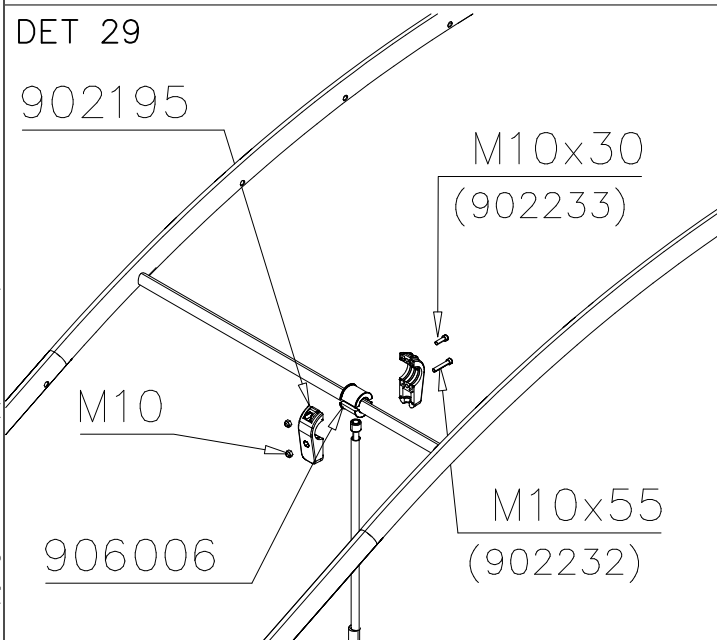
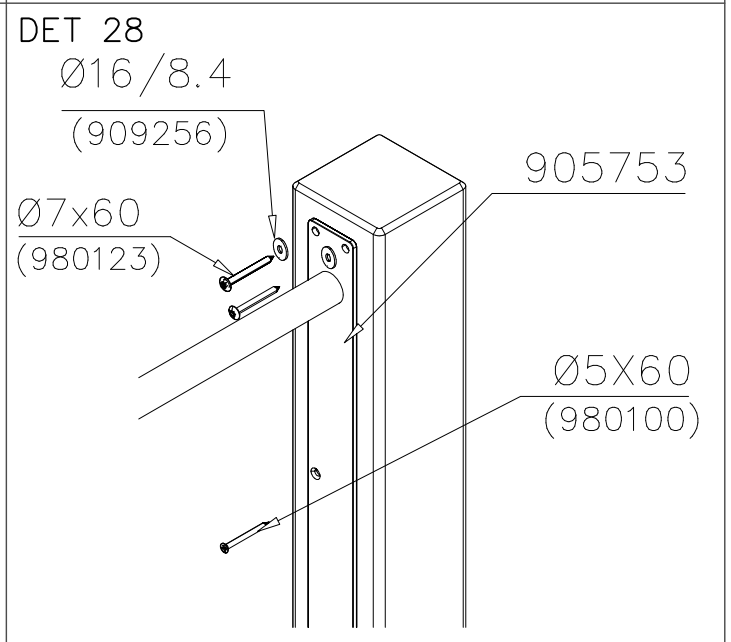
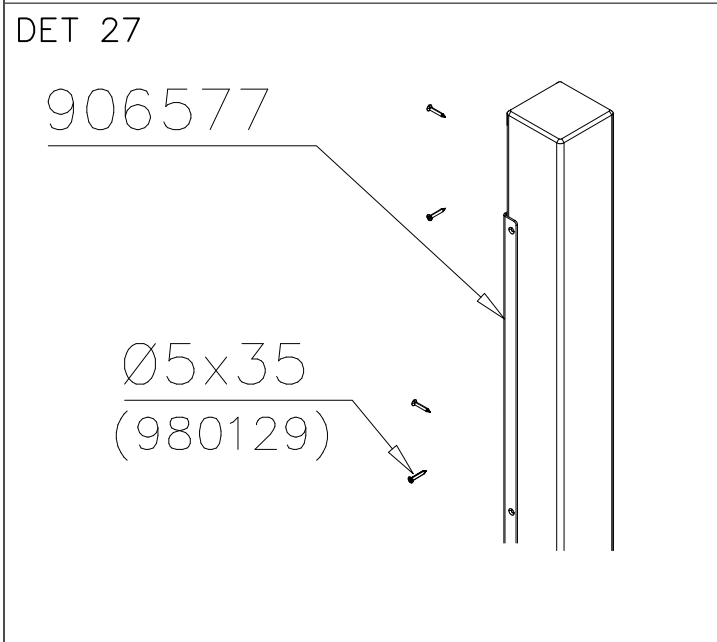
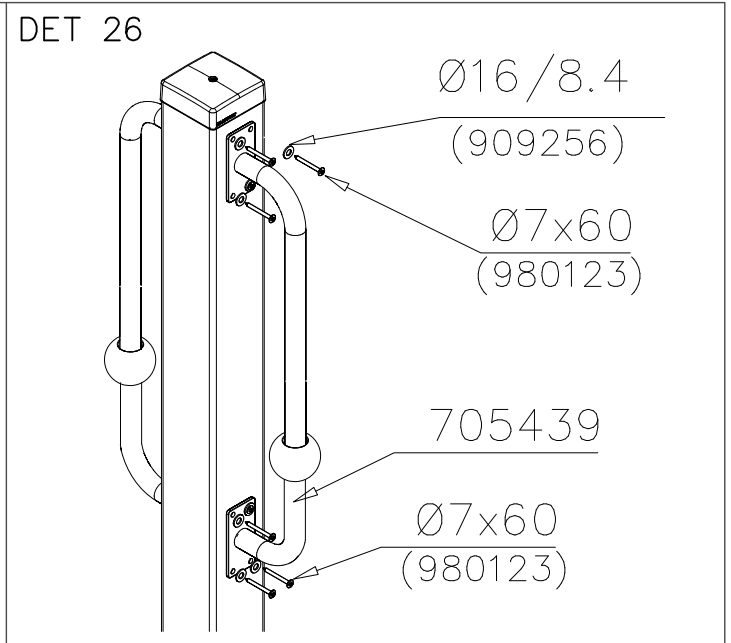
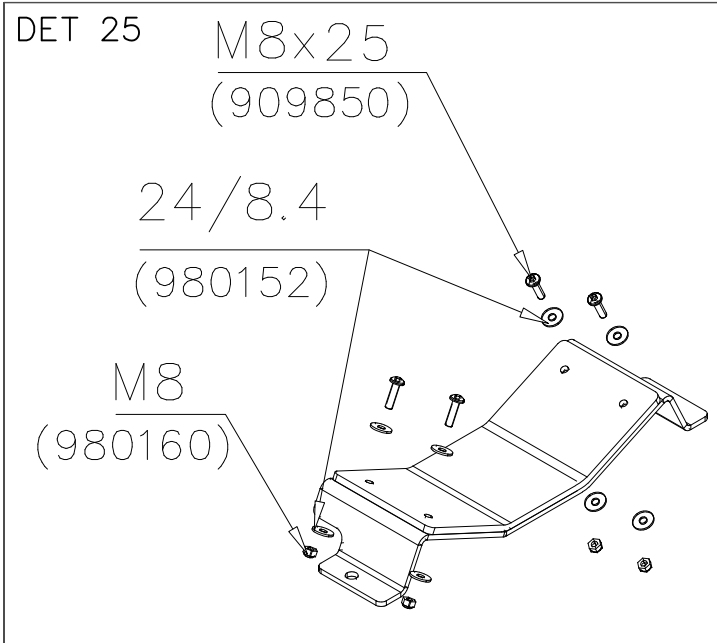
DET 17



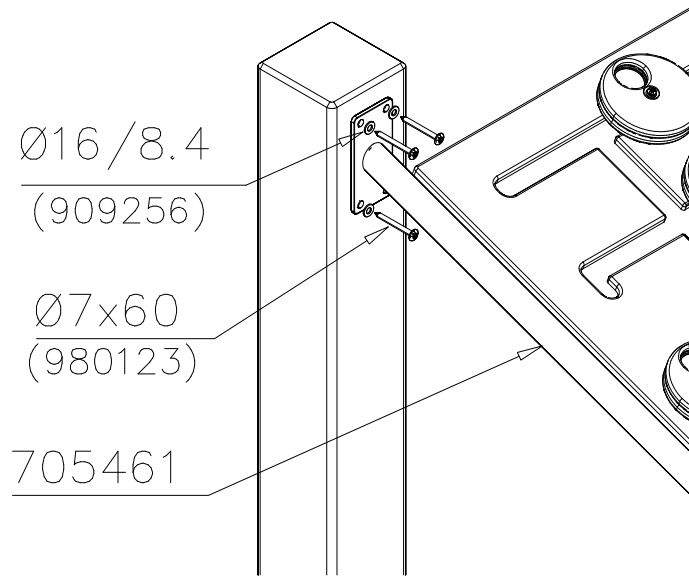
DET 18



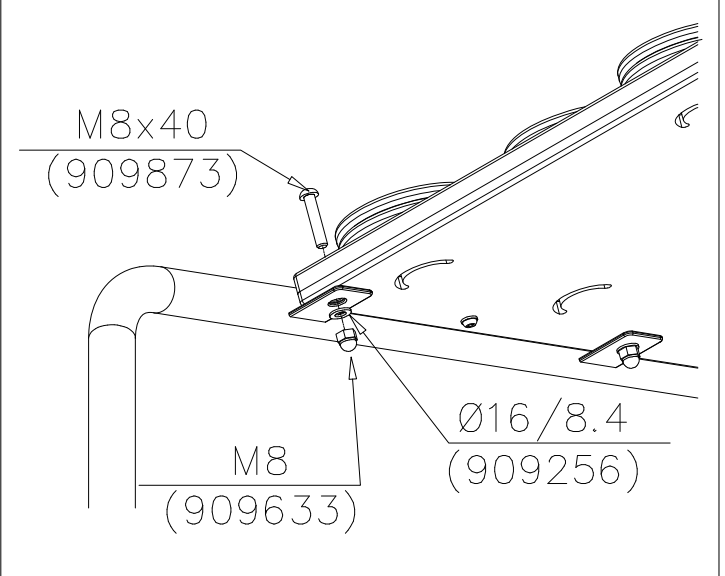




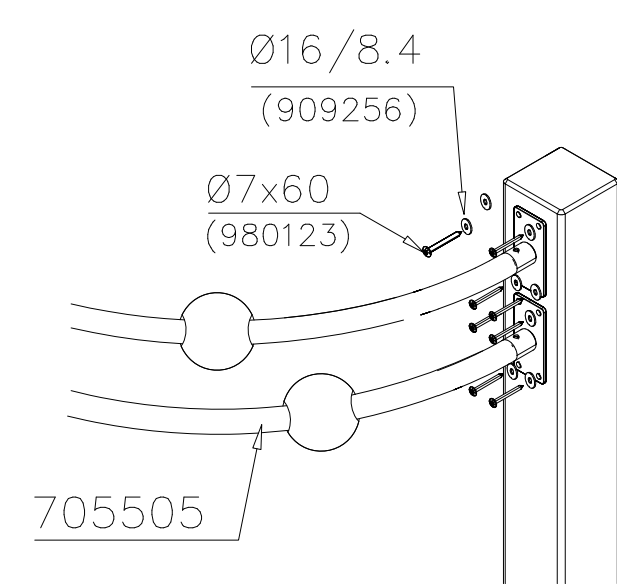
DET 31



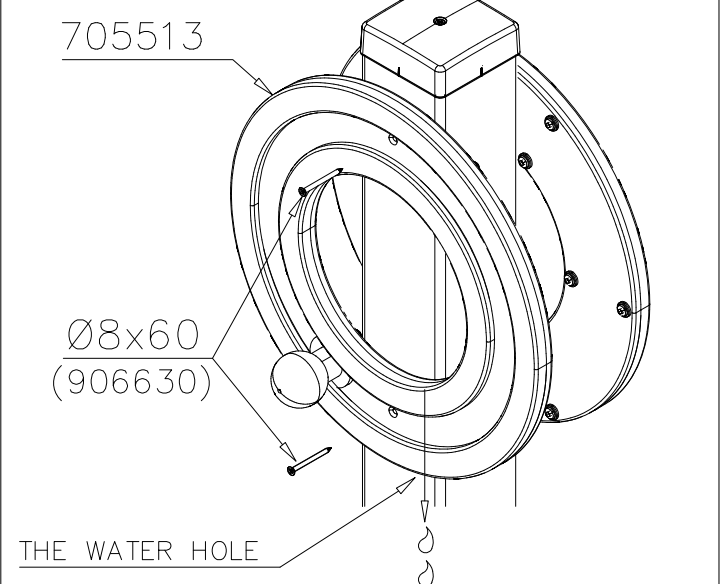
DET 32



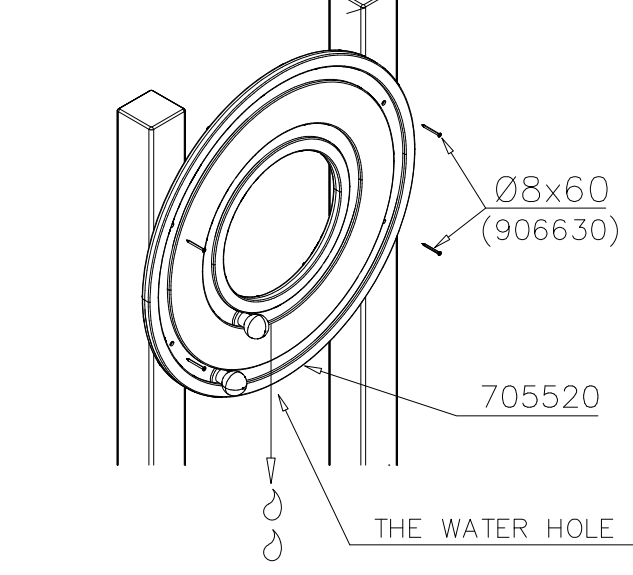
DET 33



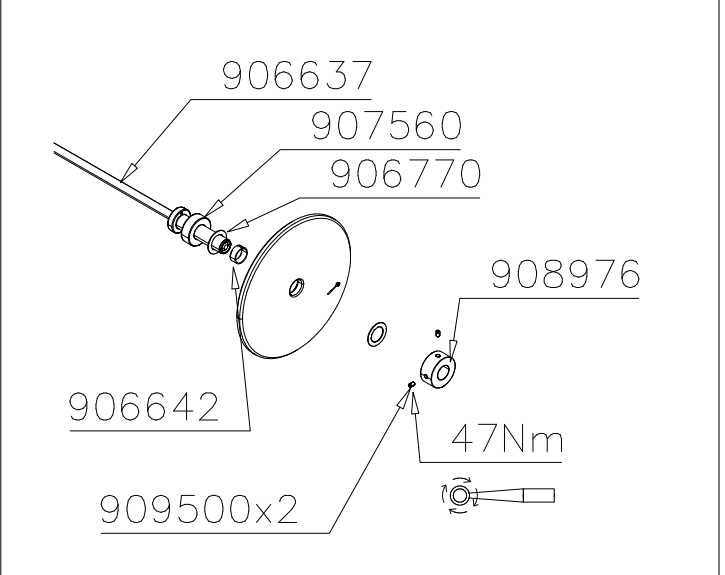
DET 34



DET 35



DET 36



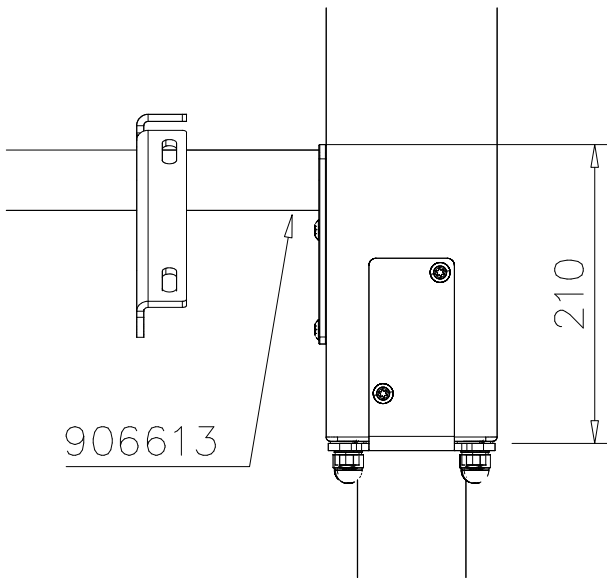
DET 37



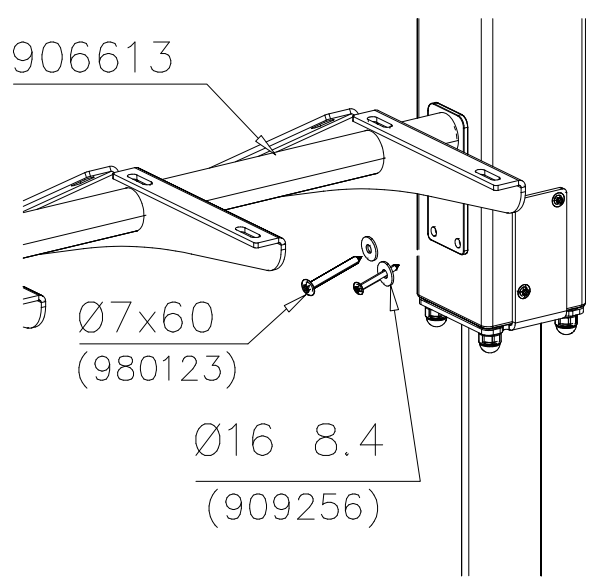
DET 38



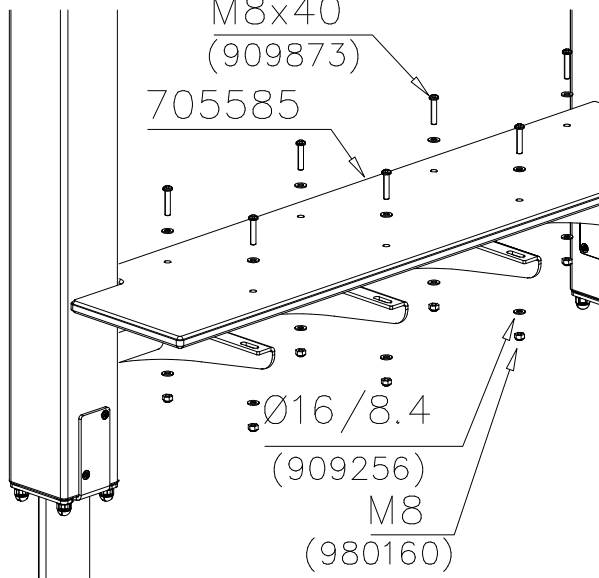
DET 39



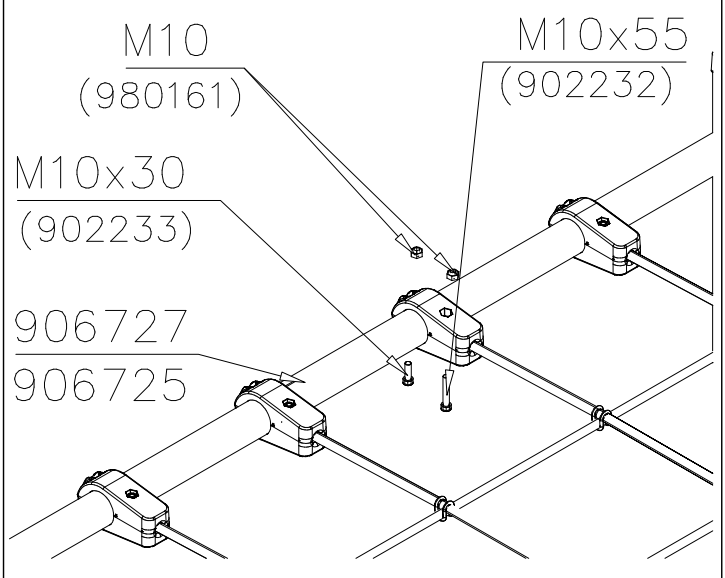
DET 40

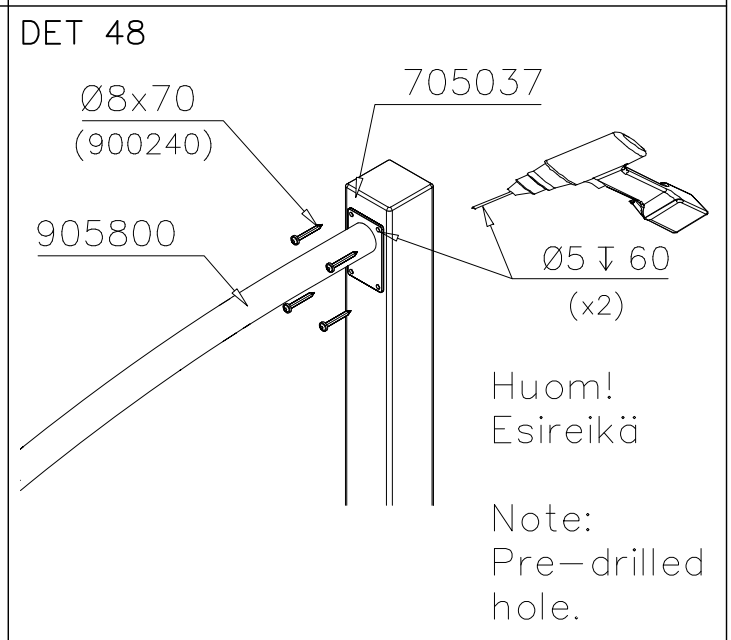
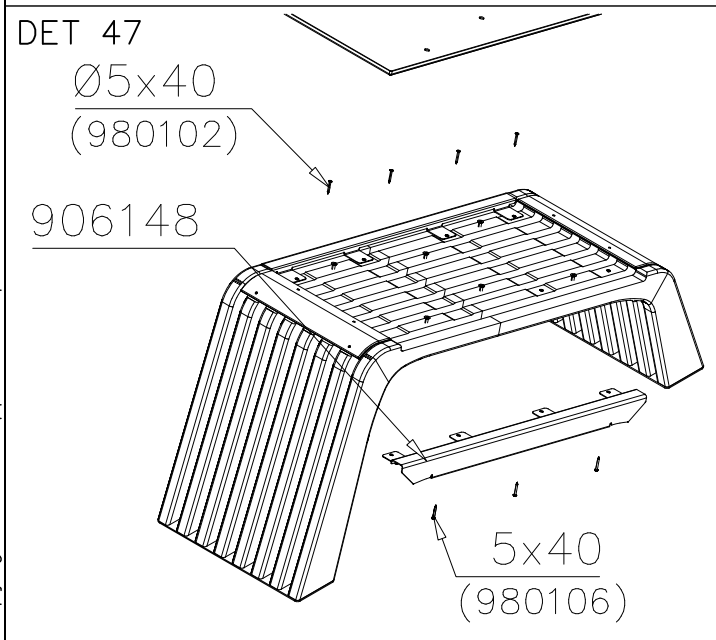


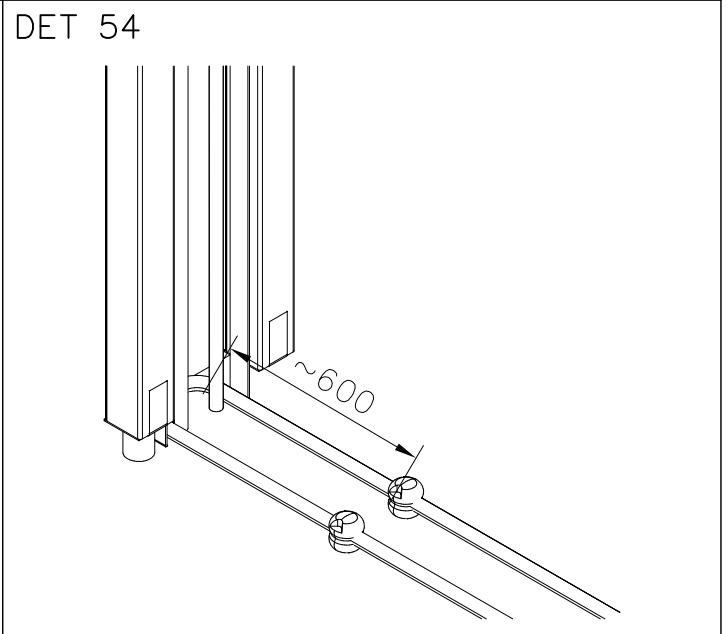
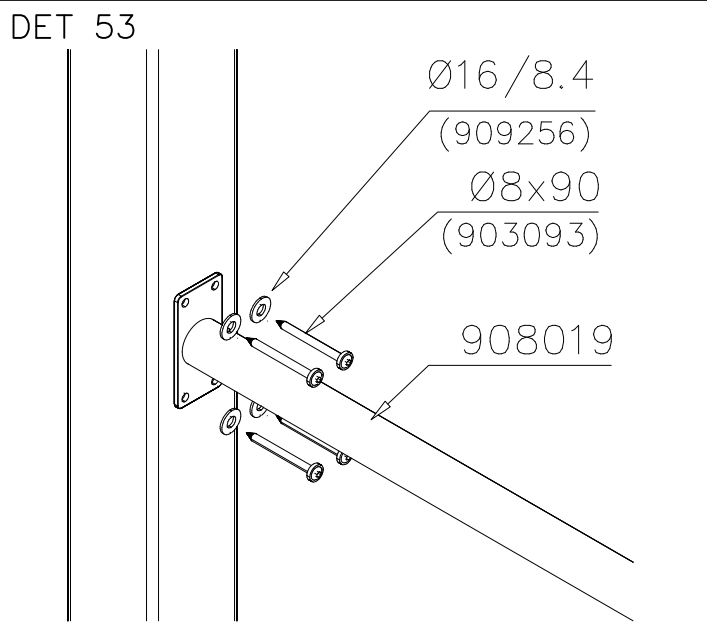
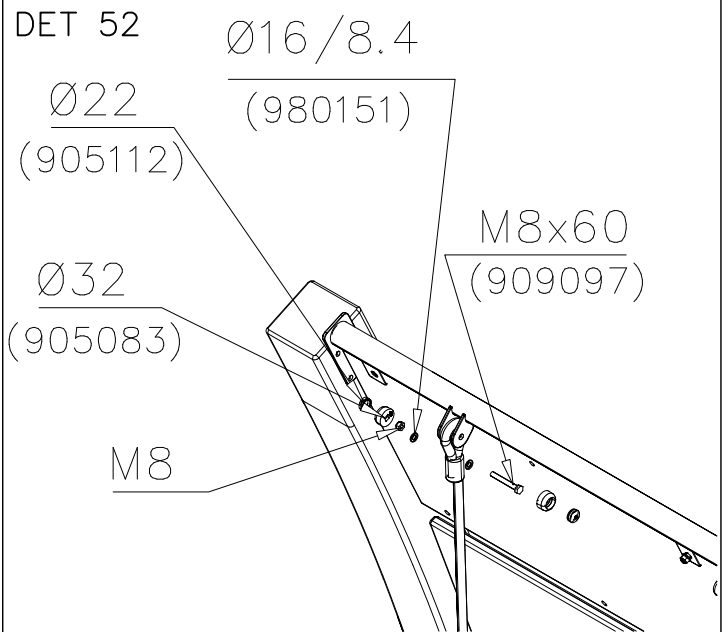
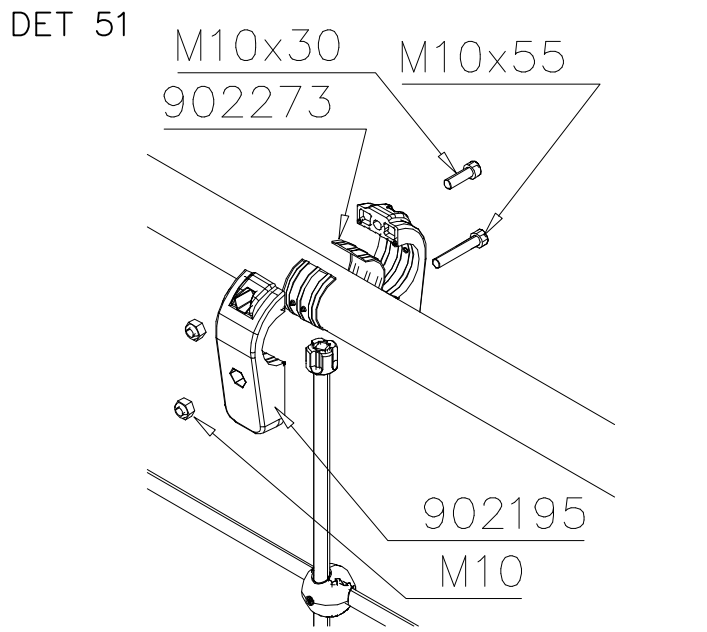
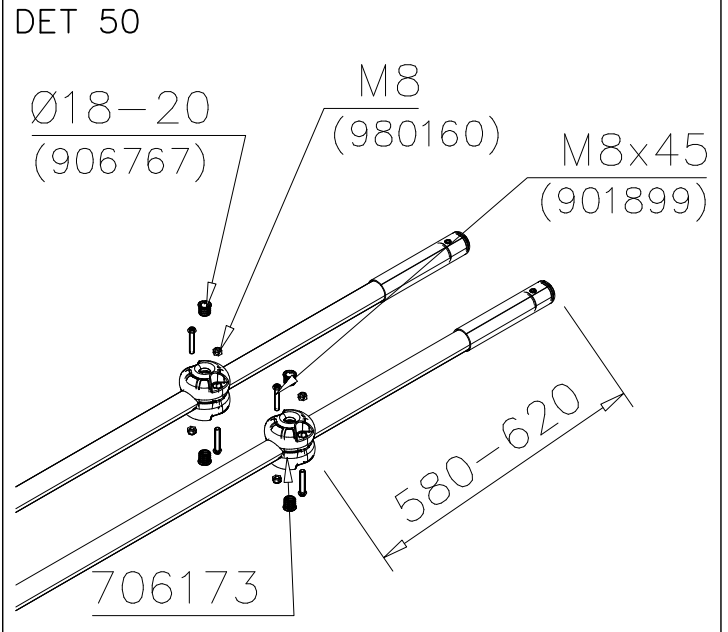
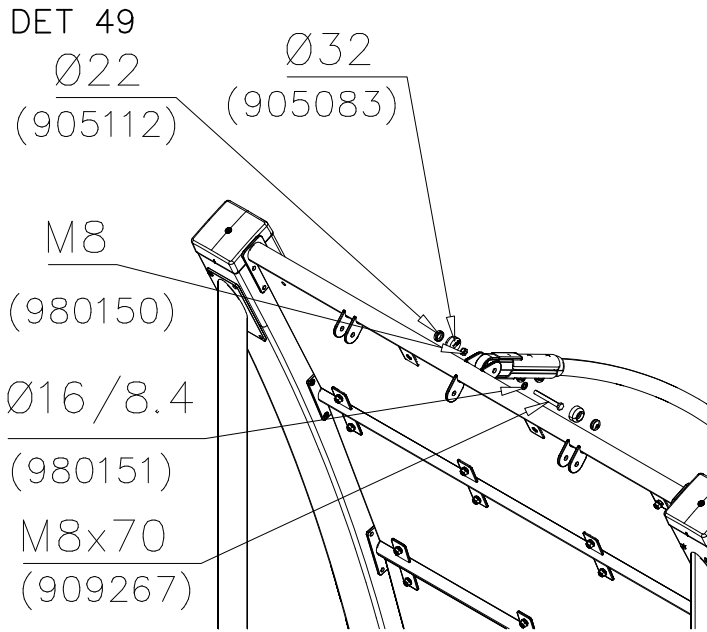
DET 41



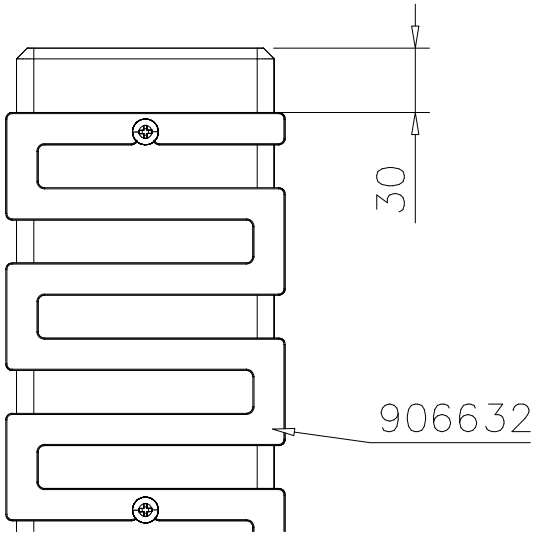
DET 42



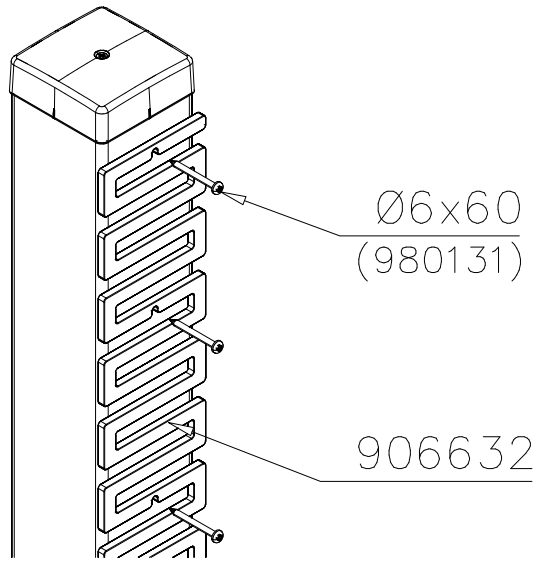




DET 55



DET 56



DET 57

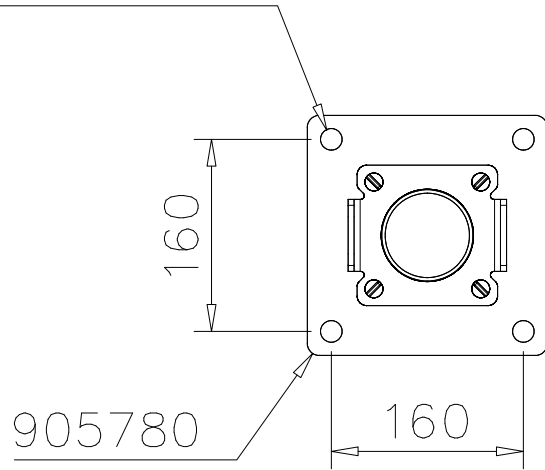
DET 58

DET 59

DET 60

DET 1

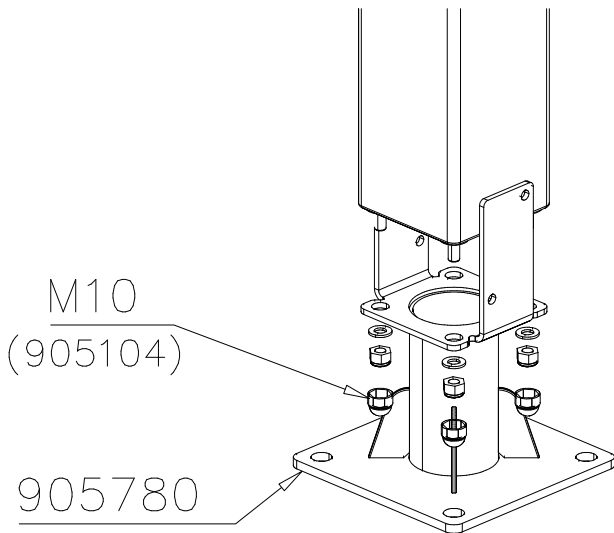
$\varnothing 16 \downarrow > 130$



DET 2



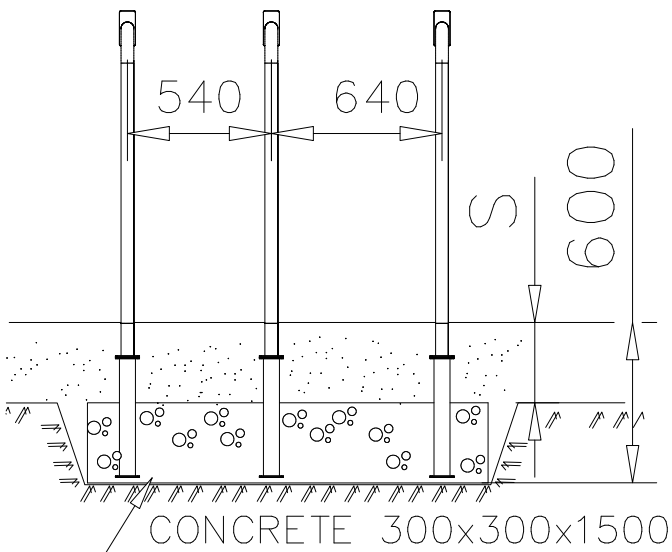
DET 3



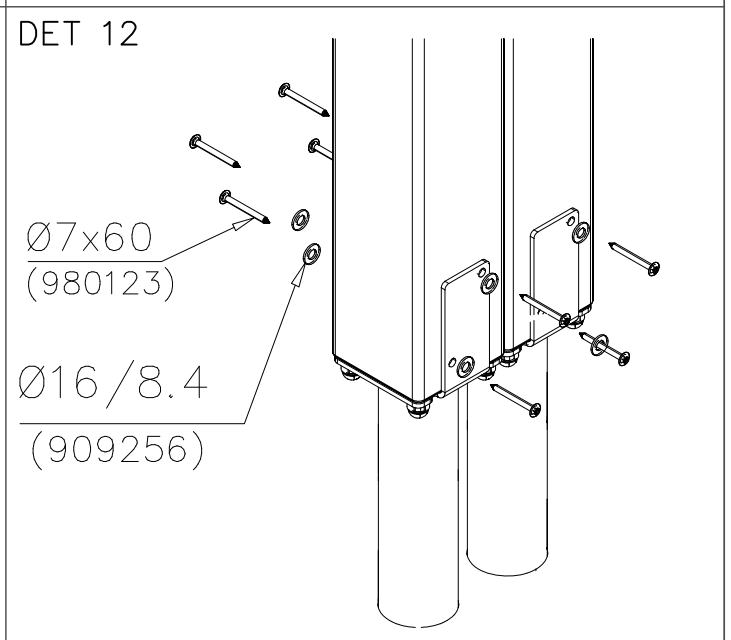
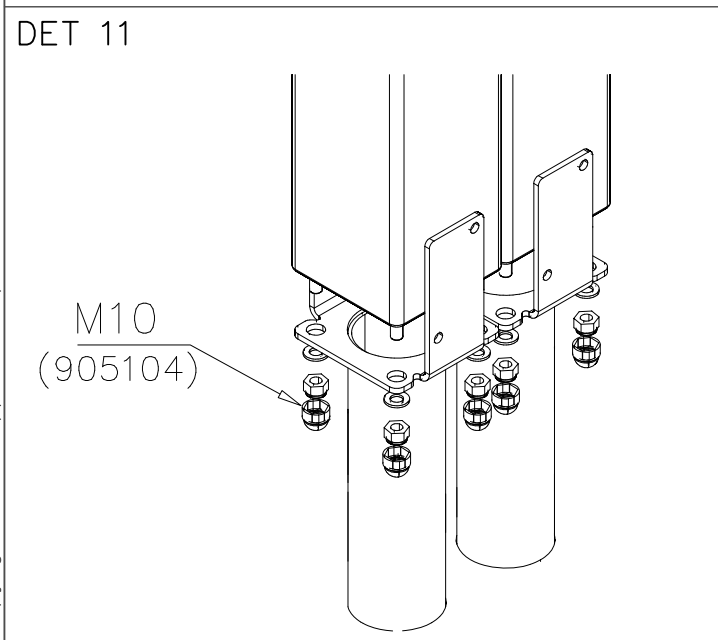
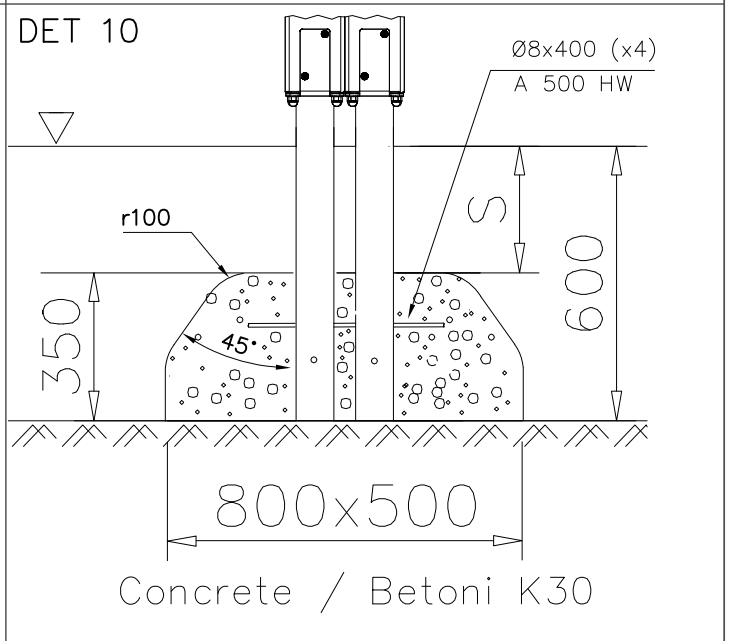
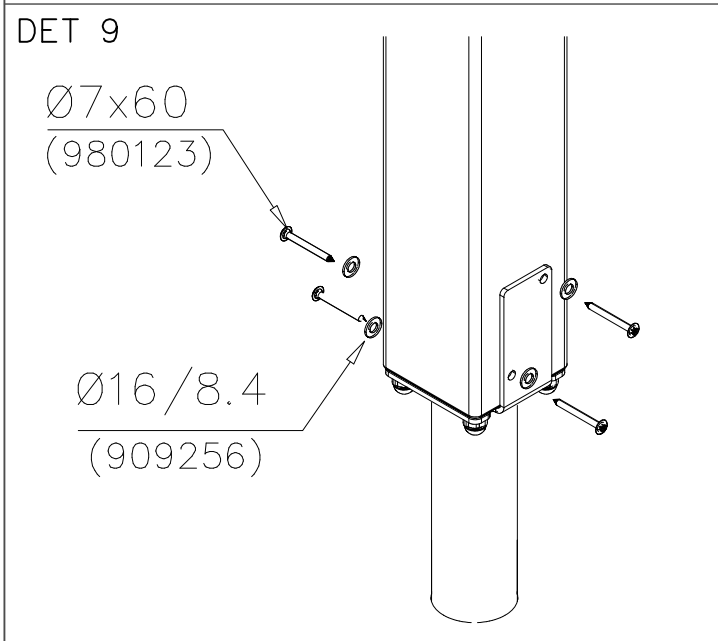
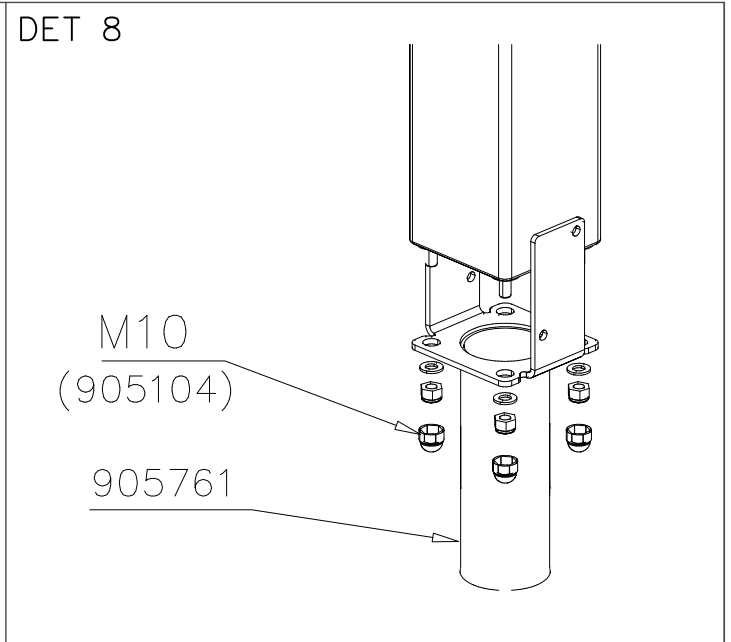
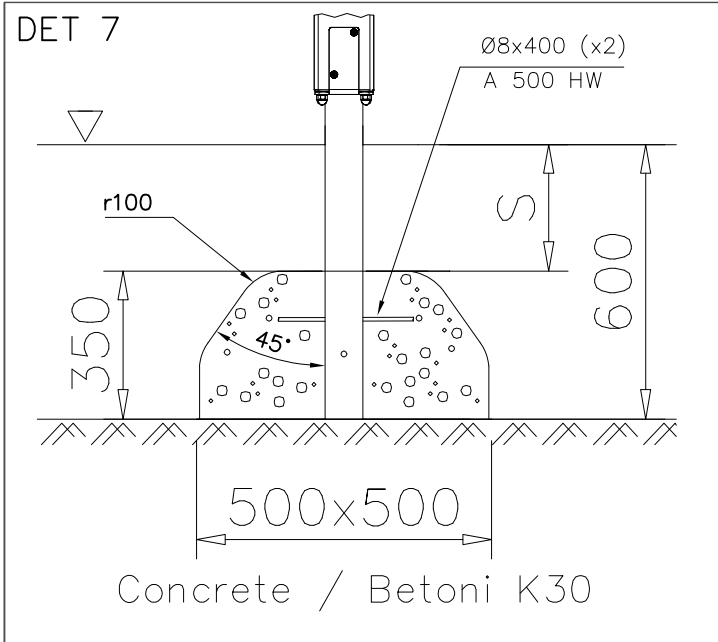
DET 4



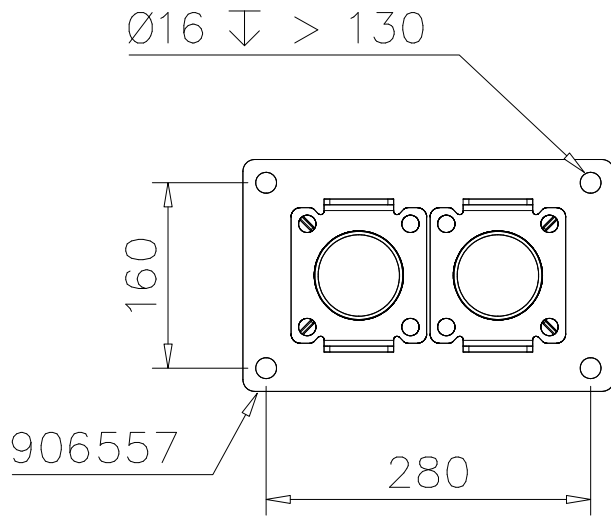
DET 5



DET 6



DET 13



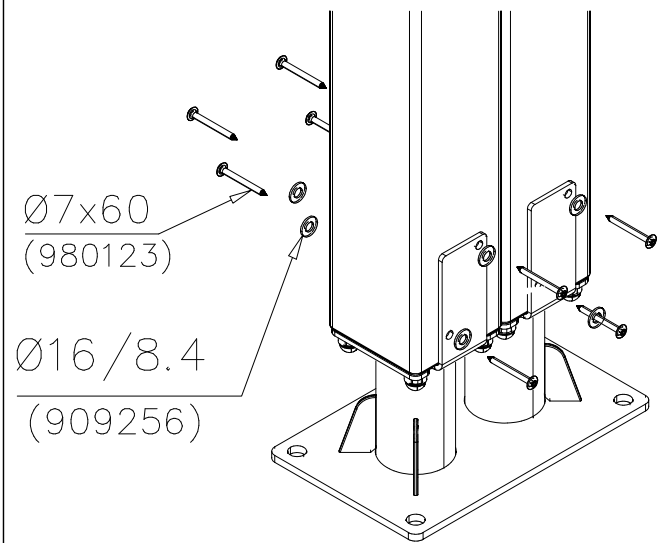
DET 14



DET 15

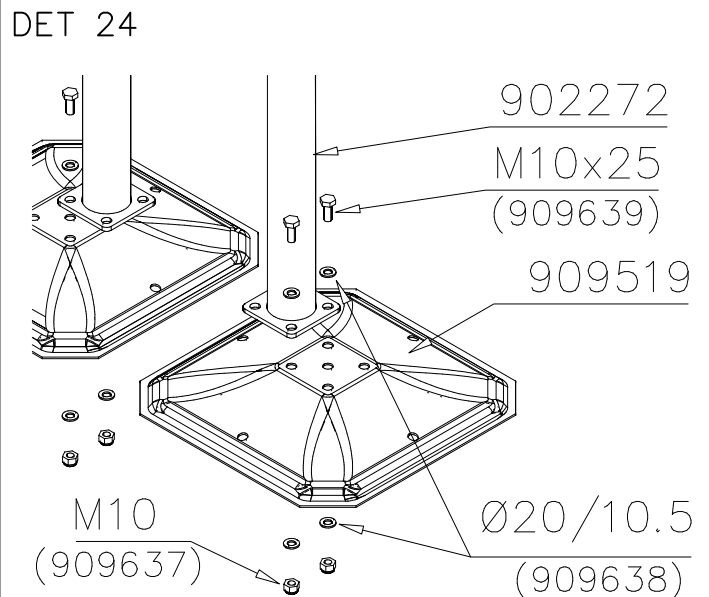
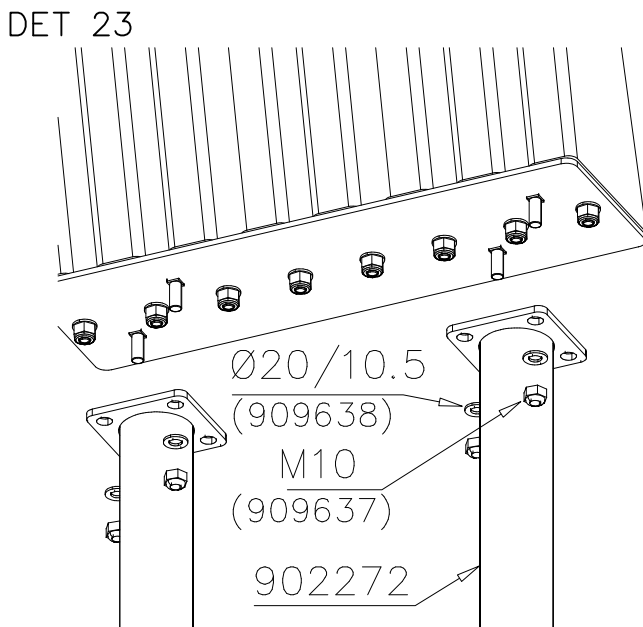
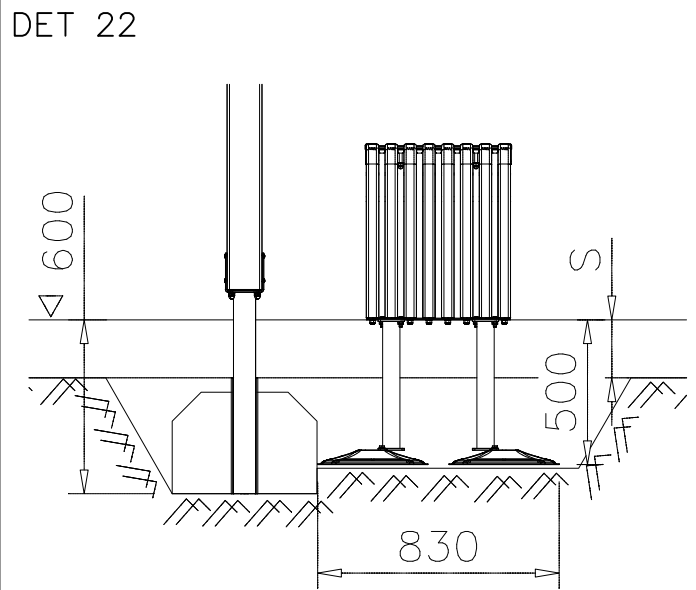
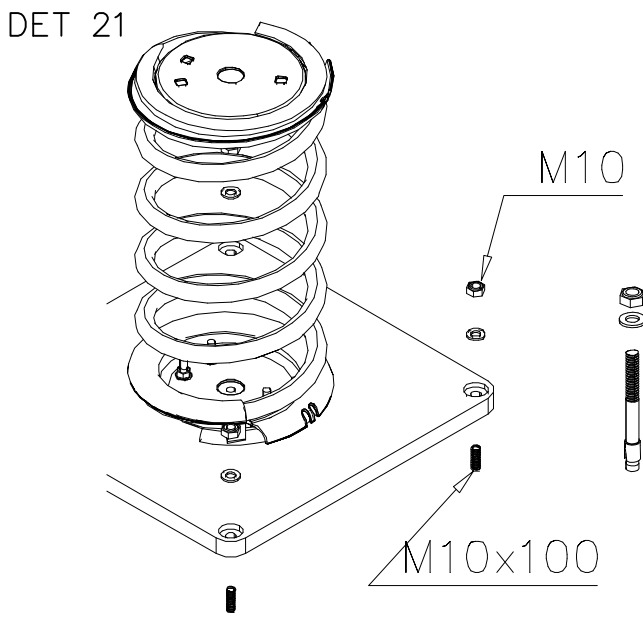
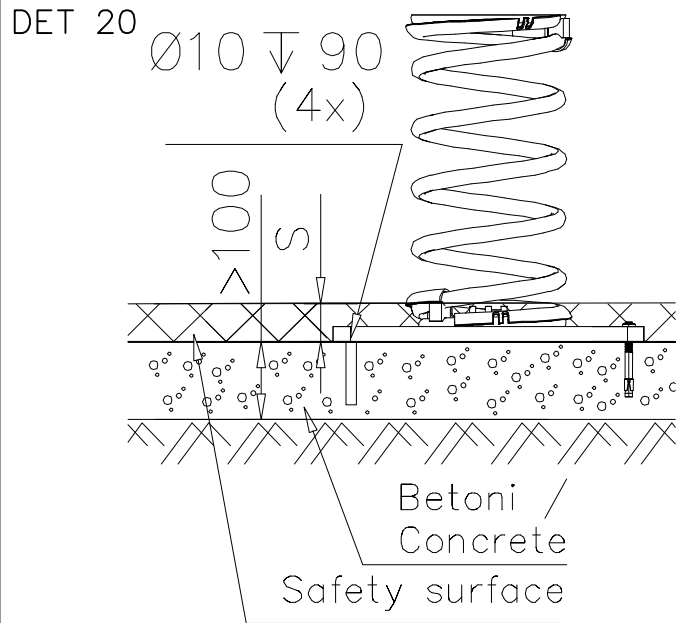
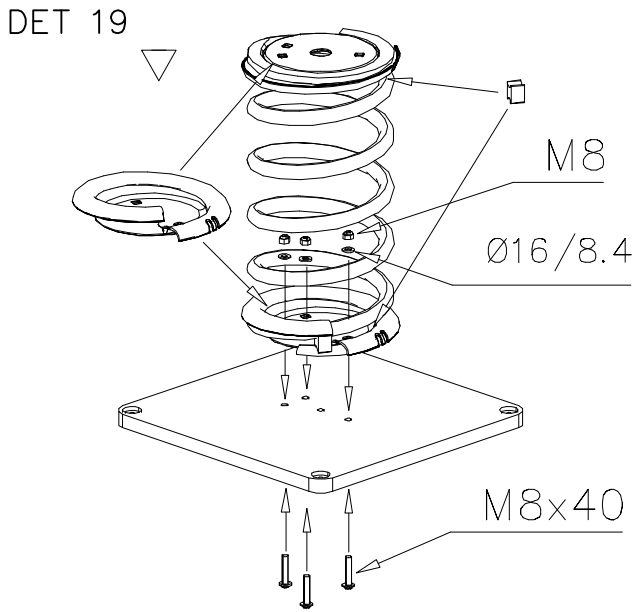


DET 16



DET 17

DET 18

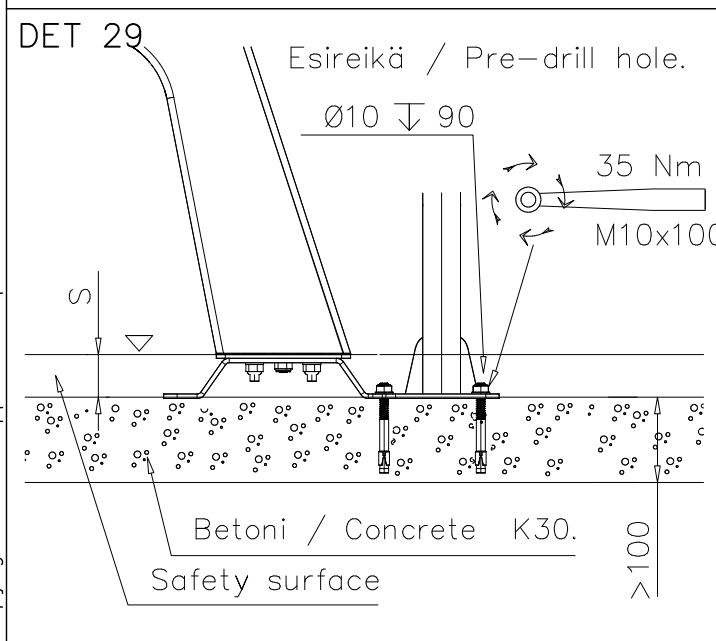
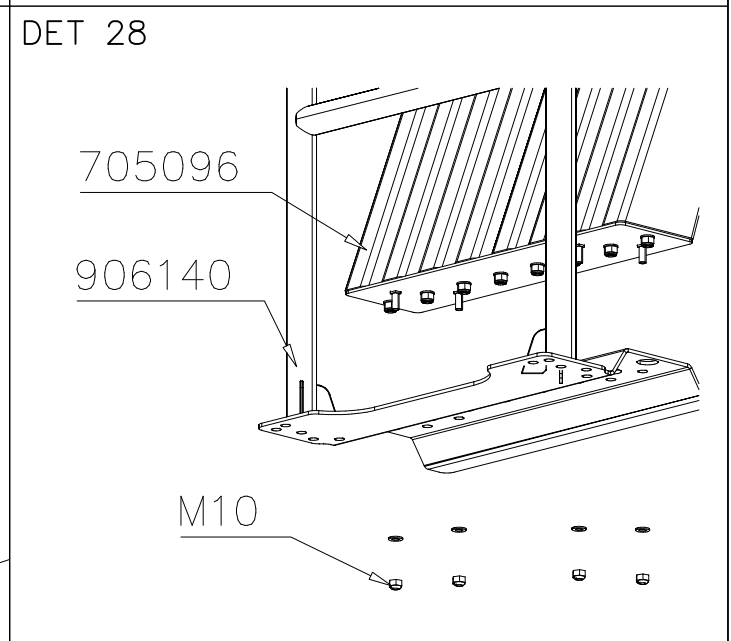
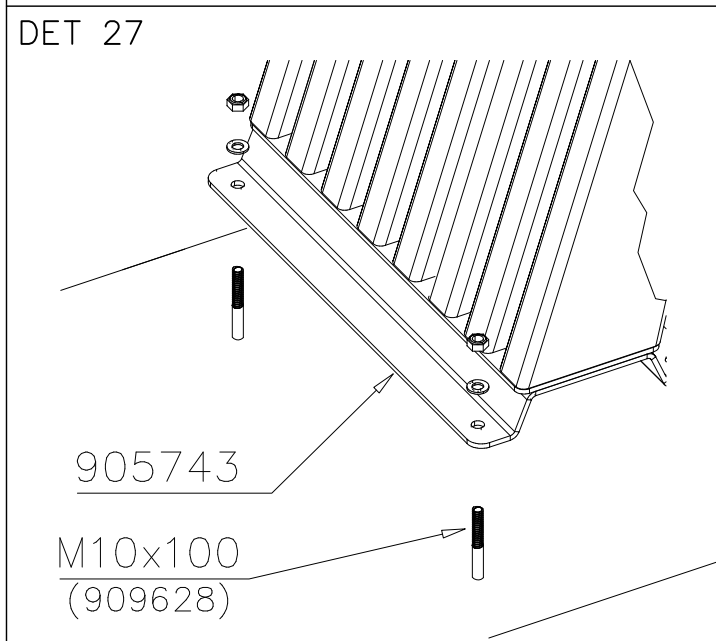
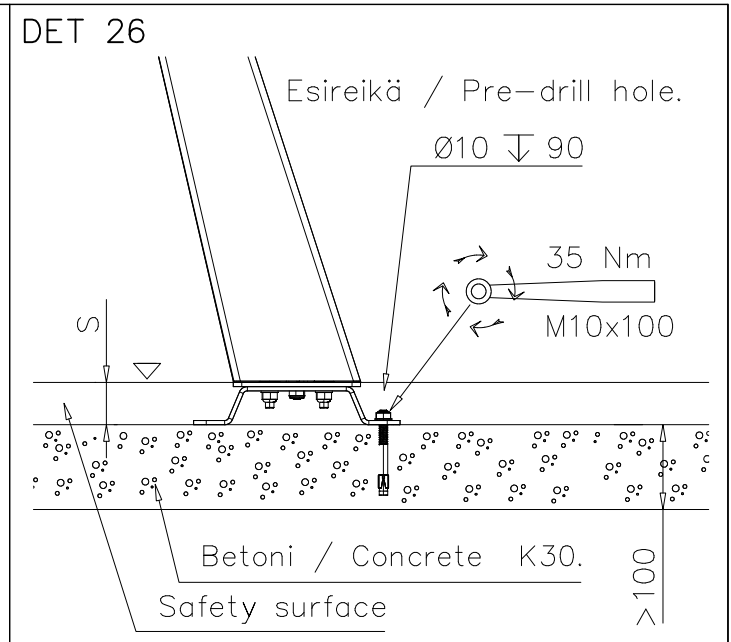
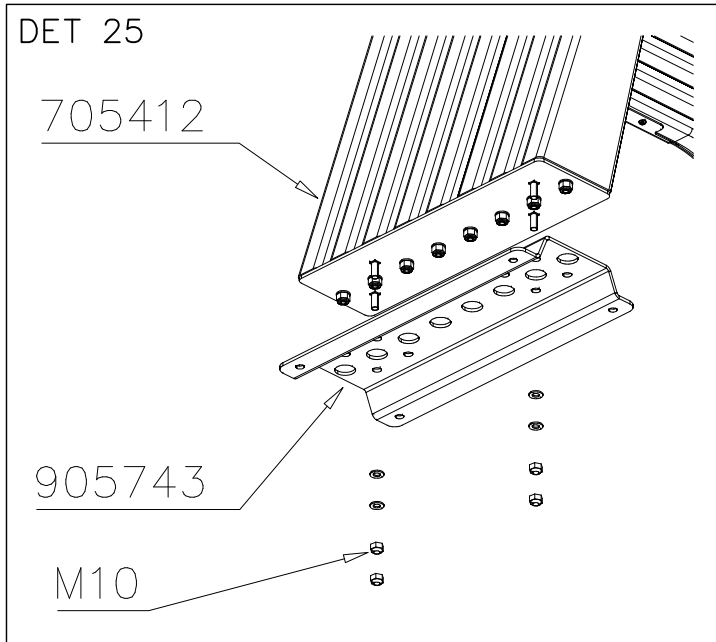


LAPPSET SPORT

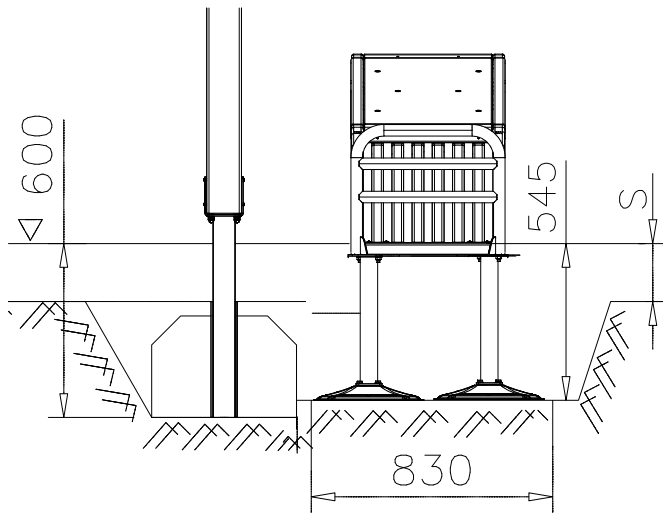
BASE

DATE: 29.4.2015

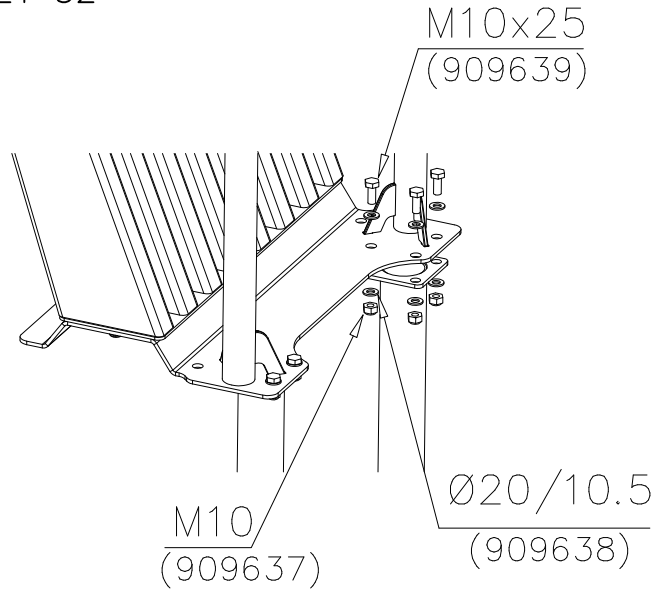
5(10)



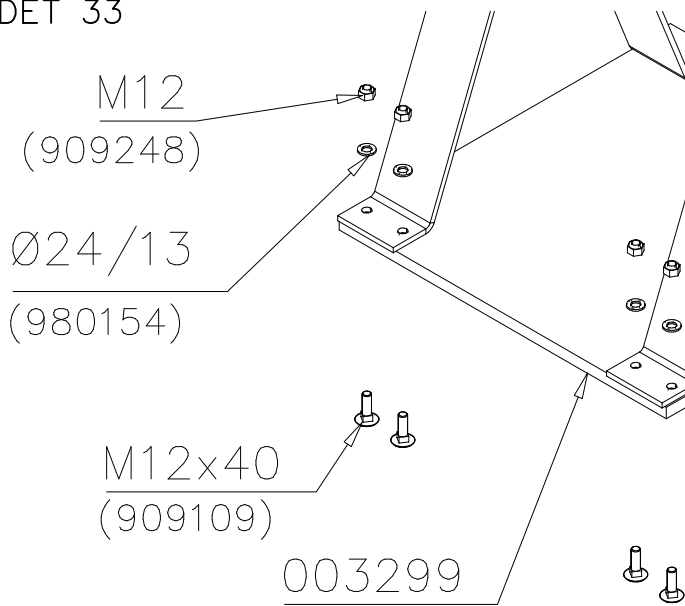
DET 31



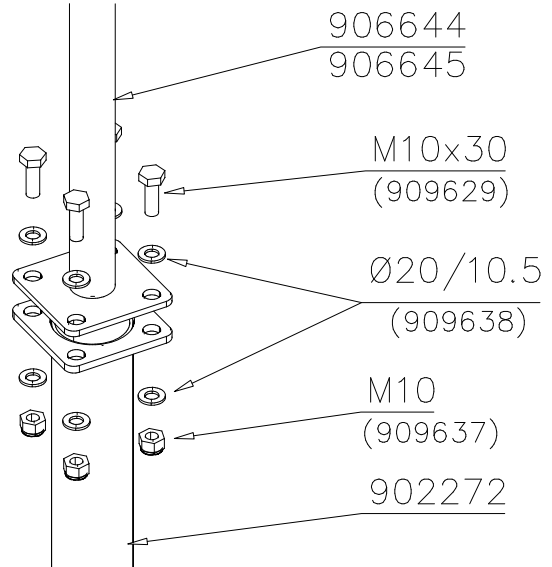
DET 32



DET 33



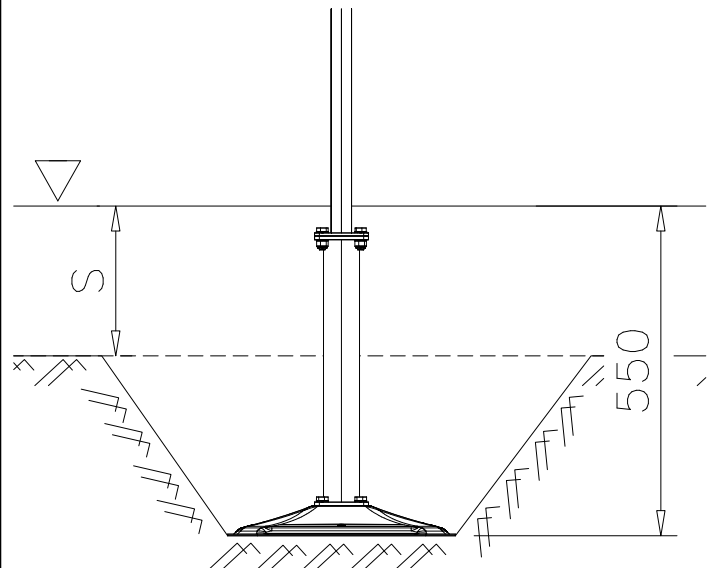
DET 34



DET 35



DET 36



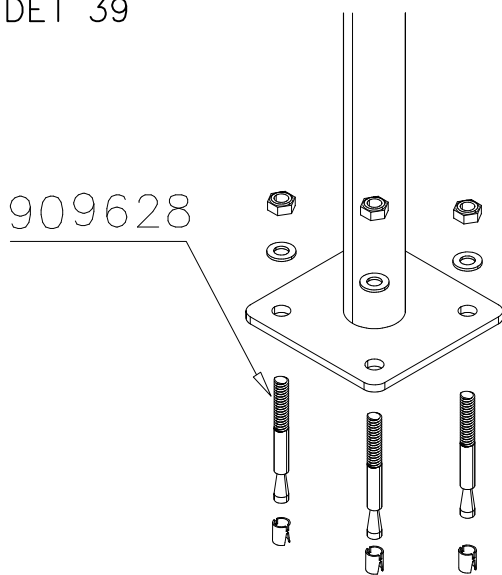
DET 37



DET 38



DET 39



DET 40



DET 41



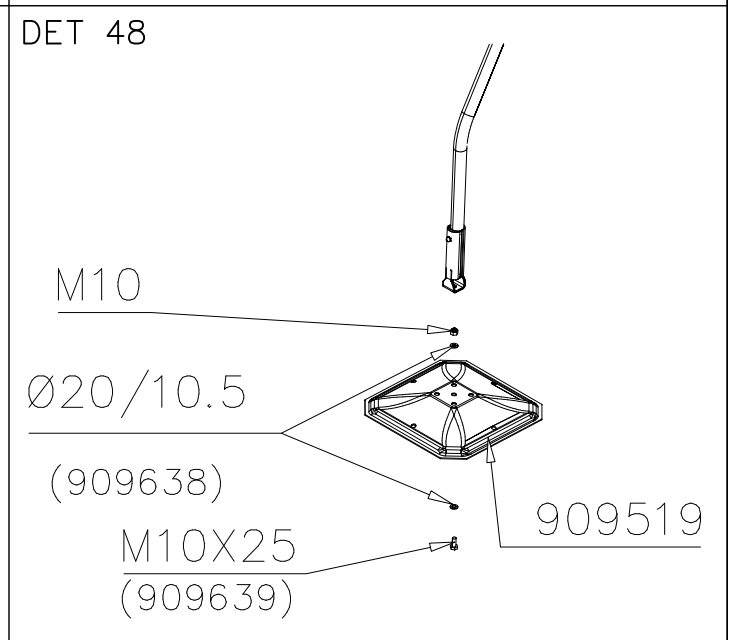
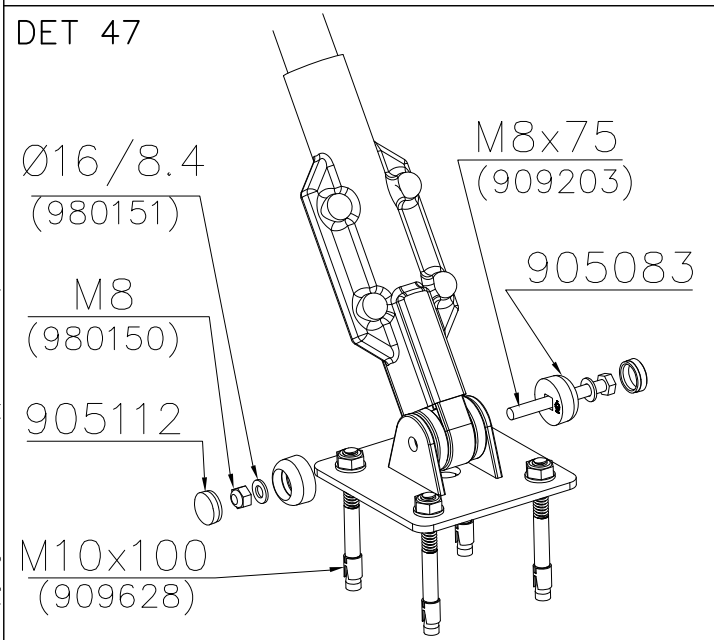
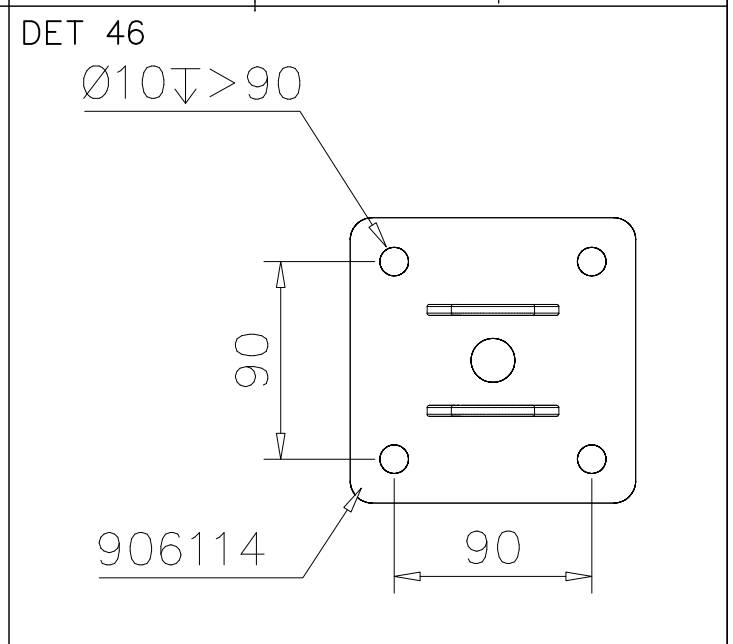
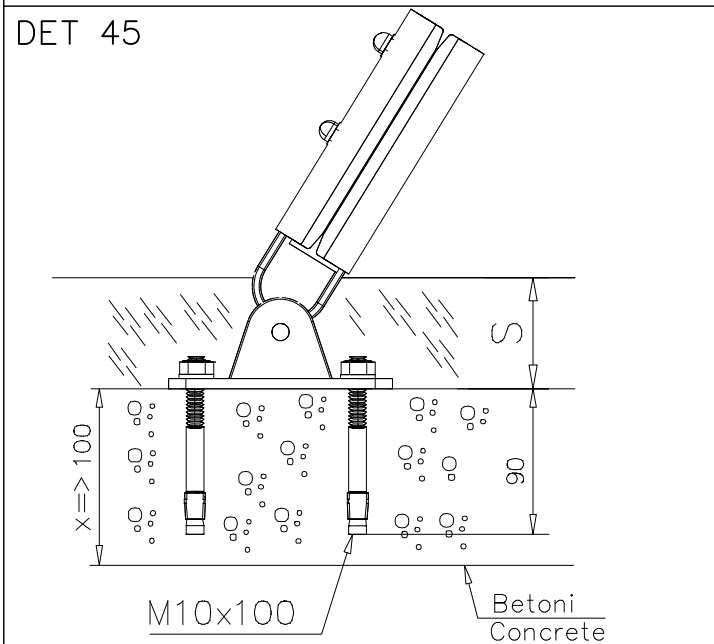
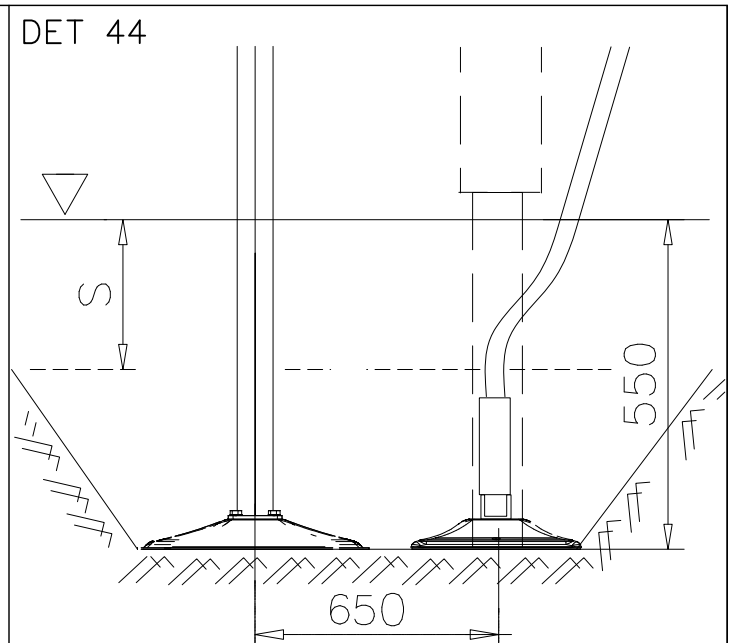
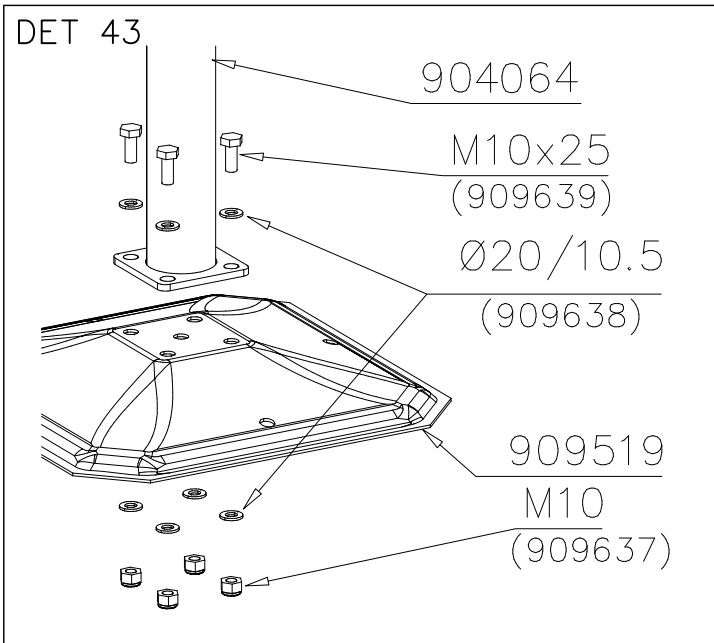
DET 42

LAPPSET SPORT

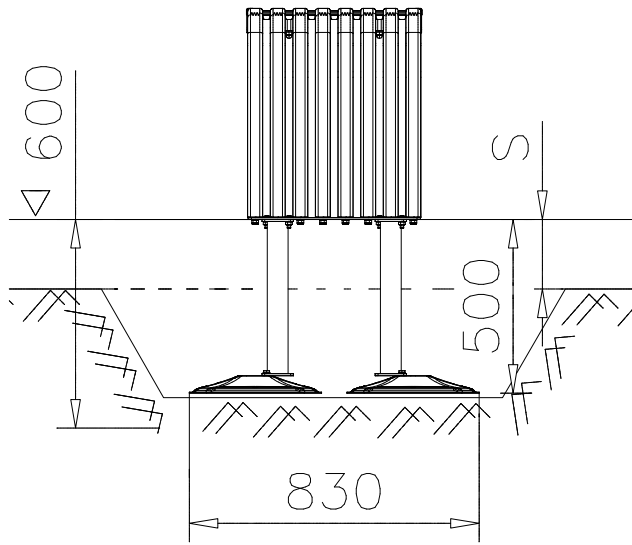
BASE

DATE: 15.8.2017

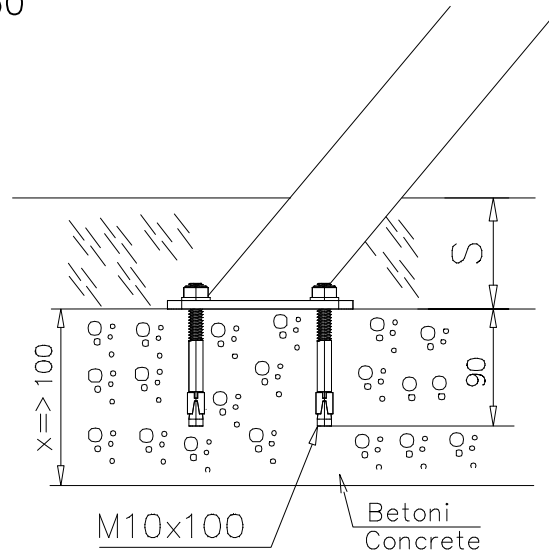
8(10)



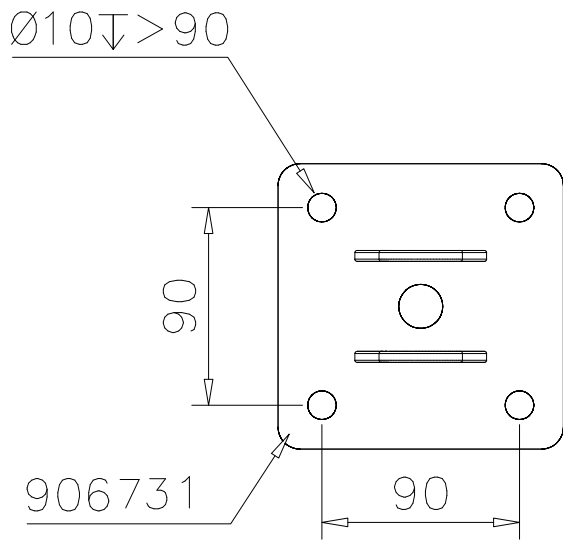
DET 49



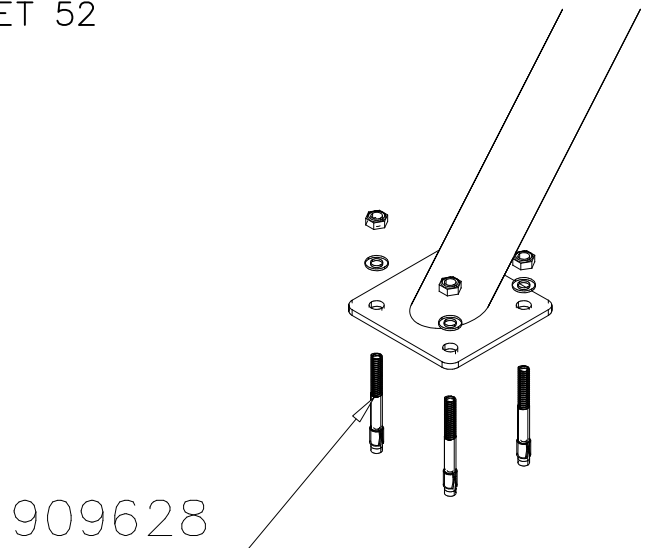
DET 50



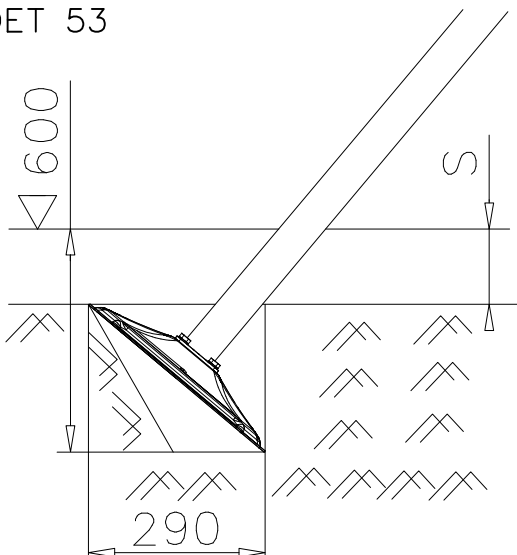
DET 51



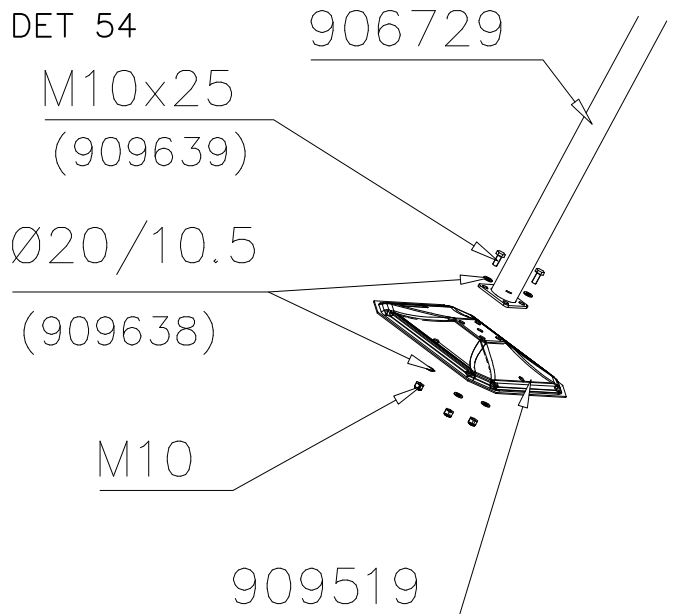
DET 52



DET 53

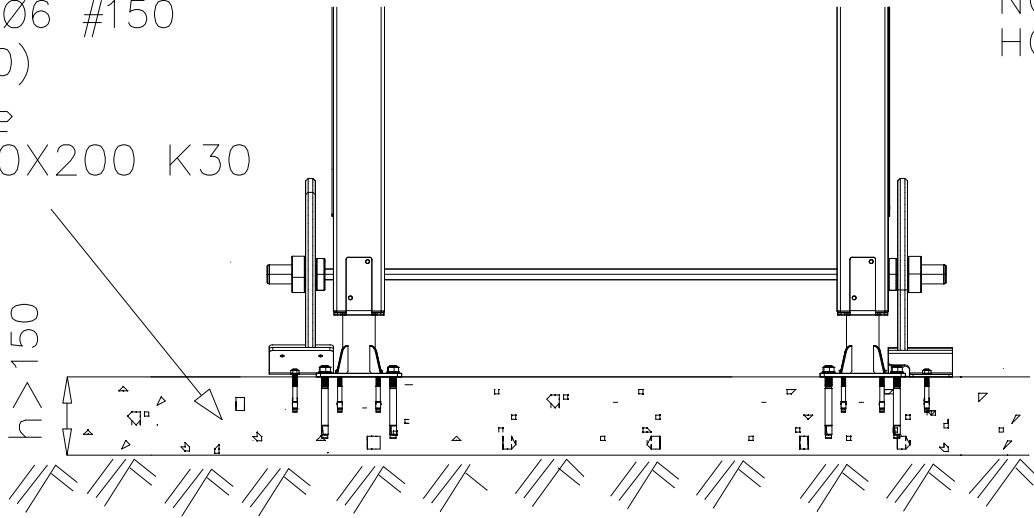


DET 54



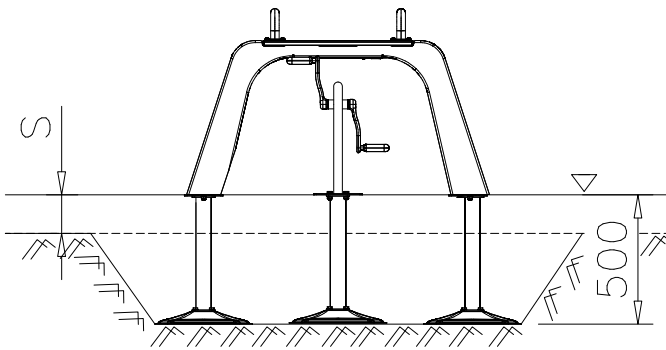
DET 55

STEELNET Ø6 #150
(1400x2100)
Concrete
1500X2200X200 K30

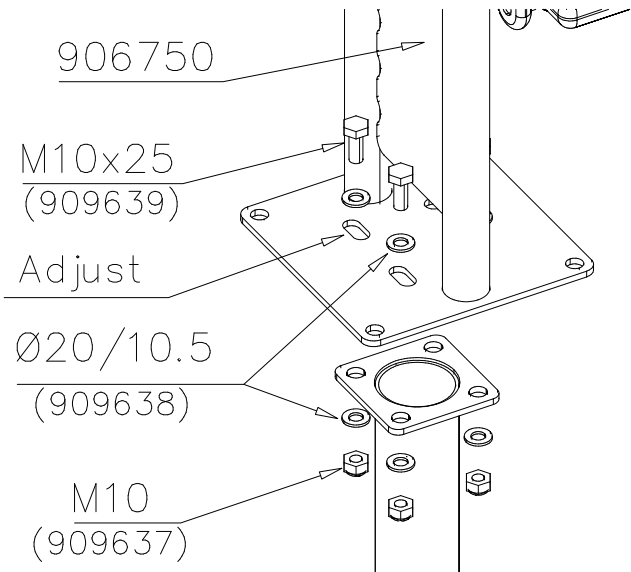


NOTE!
HOX!

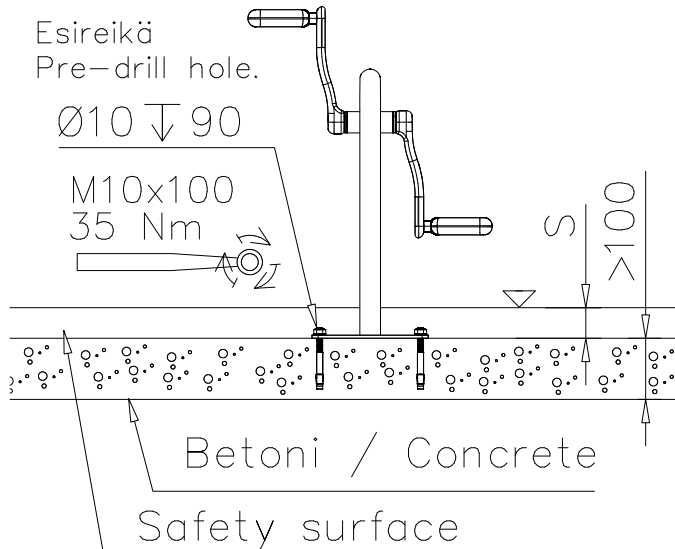
DET 56



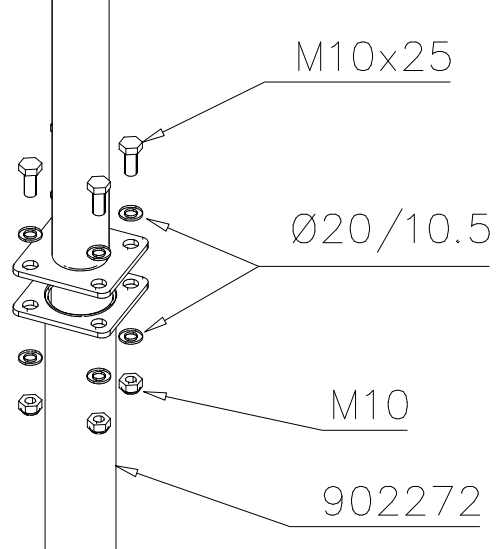
DET 57



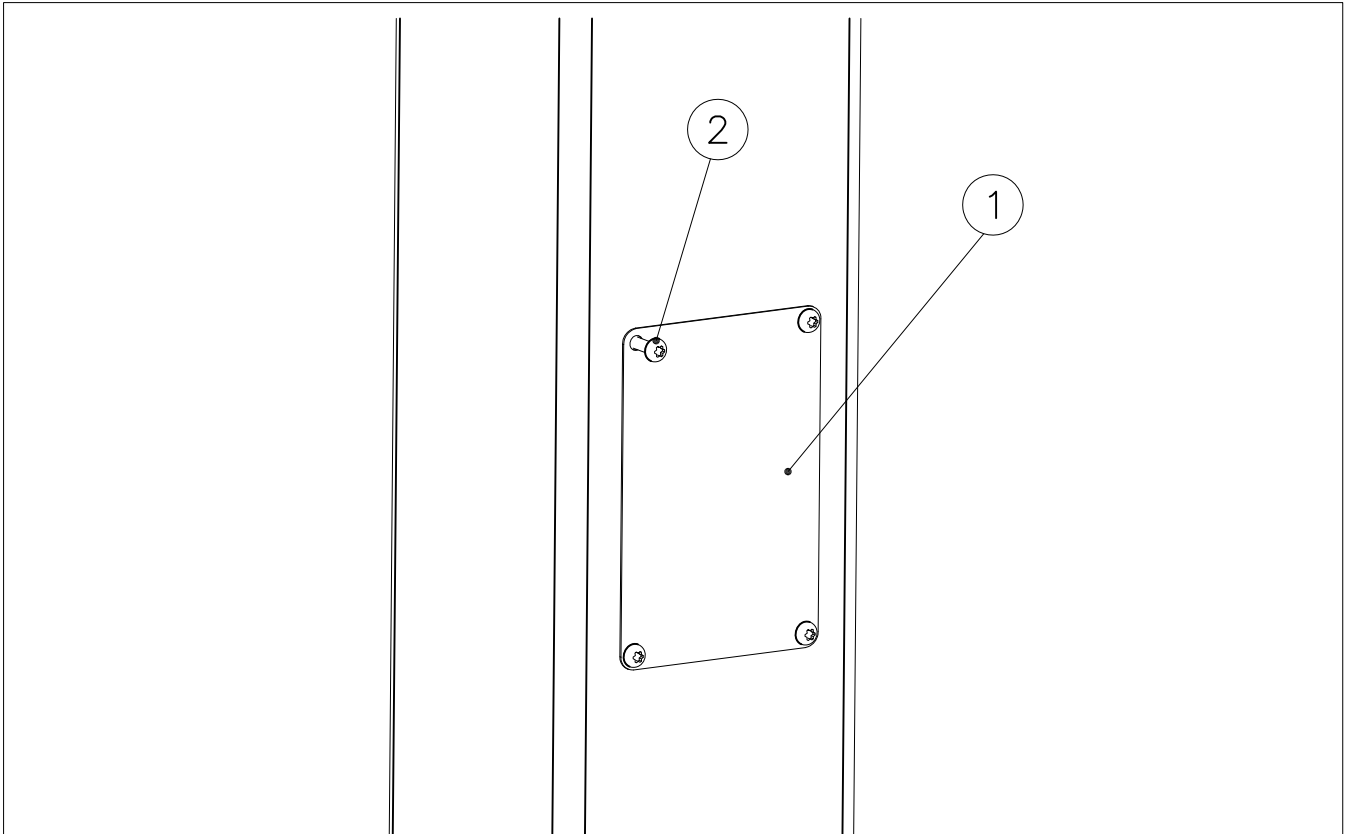
DET 58



DET 59



① SHEET METAL	PCS	② 980114	PCS
	1		4
118x78x0.7		Ø4x20	



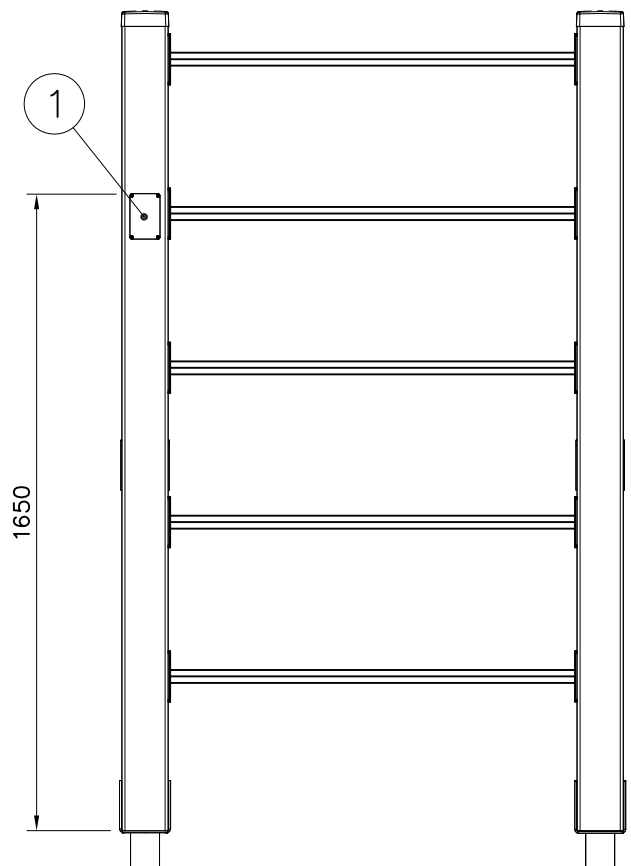
Example installation !
Esimerkki asennus !

Example installation !
Esimerkki asennus !

Example installation !
Esimerkki asennus !



Example installation !
Esimerkki asennus !



Example installation !
Esimerkki asennus !