

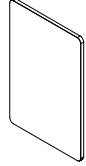

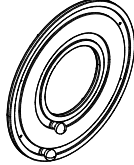

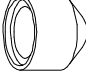

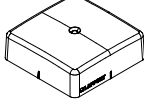
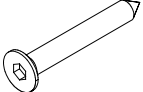


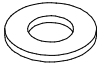


PARTS  
DET 16

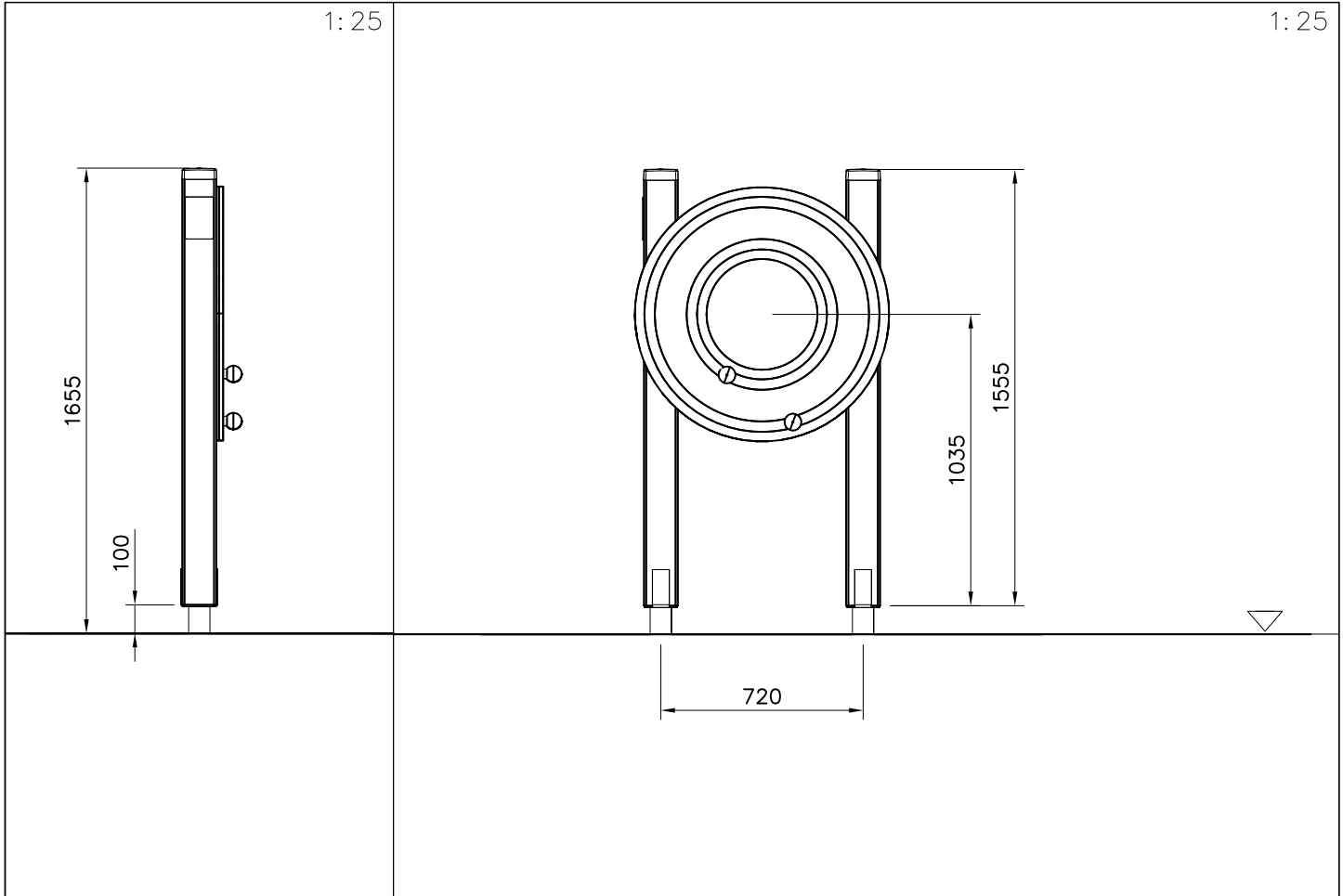
PARTS  
DET 35

Note:  
Huom!

BASE  
DET 1-4  
or 7-9

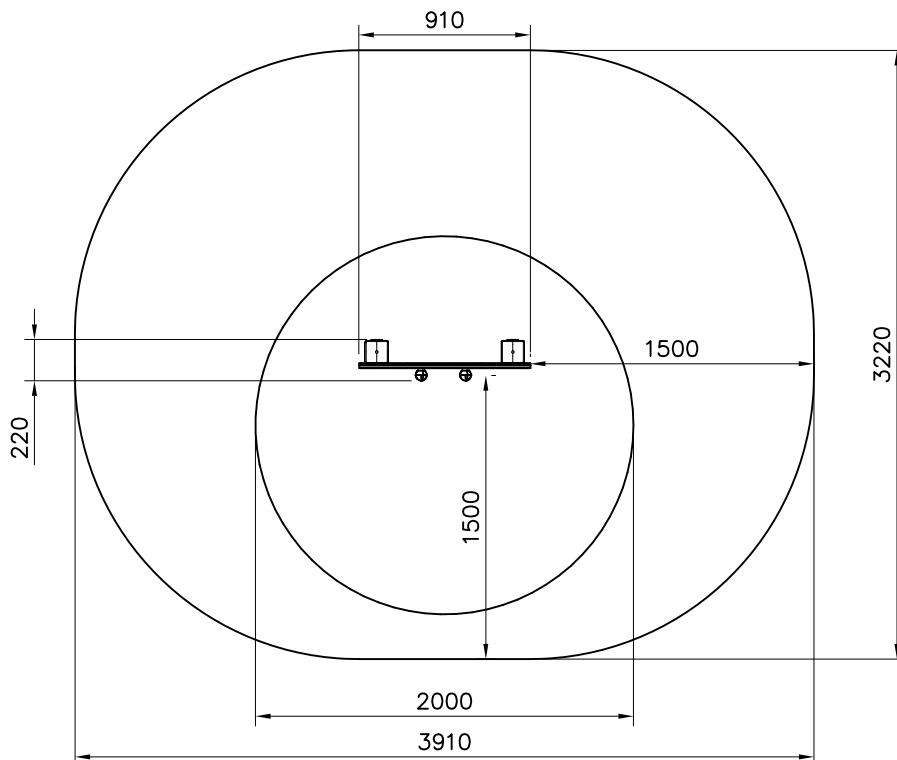
①	706049	PCS	②	705345	PCS
		1			2
				120x120x1520	
③	705520	PCS	④	980114	PCS
		1			4
				Ø4x20	
⑤	905104	PCS	⑥	905761	PCS
		8			2
	M10			120x120x700	
⑦	905830	PCS	⑧	906630	PCS
		2			4
	123x123x40			Ø8x60	
⑨	980104	PCS	⑩	980123	PCS
		2			8
	Ø5x90			Ø7x60	
⑪	909256	PCS			PCS
		8			
	Ø16/8.4				

Note:  
Water hole.  
Huom!  
Vesireikä



Area of Movement 10.7 m<sup>2</sup>  
Training Space 3.1 m<sup>2</sup>  
Max Falling Height 0 mm

1:40



												
<p><b><math>h &lt; 600</math></b></p> <p>Without movement and therefore without Impact Area</p>	<p>Totally hard surfaces.</p> <p>Note. Lappset does <u>not recommend</u> totally hard surfaces at all.</p>	<p>E.g. concrete or asphalt</p> 										
<p><b><math>h &lt; 600</math></b></p> <p>With movement e.g. rocking</p>	<p>Materials with very limited impact attenuating properties.</p>	<p>E.g. wood</p> 										
<p><b><math>h &lt; 1000</math></b></p>	<p>Materials with significant impact attenuating properties.</p>	<p>fine gravel 0–8 mm</p>  <p>grass</p>  <p>unsorted sand</p> 										
<p><b><math>h &lt; 3000</math></b></p>	<p>Loose fill material</p> <p>E.g. sand/gravel 0,25...8 mm D60/D10&lt;3,0 Woodchips 5...30 mm bark 20...80 mm</p>	 <table data-bbox="1021 1691 1332 1792"> <tr> <td><math>\underline{S}</math></td> <td><math>\underline{h}</math></td> </tr> <tr> <td>30 cm</td> <td>&lt; 2,0 m</td> </tr> <tr> <td>40 cm</td> <td>&lt; 3,0 m</td> </tr> </table>	$\underline{S}$	$\underline{h}$	30 cm	< 2,0 m	40 cm	< 3,0 m				
$\underline{S}$	$\underline{h}$											
30 cm	< 2,0 m											
40 cm	< 3,0 m											
	<p>Syntethic granulates</p> <table data-bbox="406 1892 758 2060"> <tr> <td><math>\underline{S}</math></td> <td><math>\underline{h}</math></td> </tr> <tr> <td>40 mm</td> <td>~&gt; 1,2...1,3 m</td> </tr> <tr> <td>50 mm</td> <td>~&gt; 1,5...1,7 m</td> </tr> <tr> <td>60 mm</td> <td>~&gt; 1,8...2,0 m</td> </tr> <tr> <td>70 mm</td> <td>~&gt; 2,1...2,5 m</td> </tr> </table> <p>Note. For accurate values, see manufacturer's instructions.</p>	$\underline{S}$	$\underline{h}$	40 mm	~> 1,2...1,3 m	50 mm	~> 1,5...1,7 m	60 mm	~> 1,8...2,0 m	70 mm	~> 2,1...2,5 m	
$\underline{S}$	$\underline{h}$											
40 mm	~> 1,2...1,3 m											
50 mm	~> 1,5...1,7 m											
60 mm	~> 1,8...2,0 m											
70 mm	~> 2,1...2,5 m											

REMOVE SAFETY SURFACE/SAND/GRAVEL  
TO CHECK FOUNDATION



REMOVE SAFETY SURFACE/SAND/GRAVEL  
TO CHECK FOUNDATION



DET 1



DET 2



DET 3



DET 4



DET 5

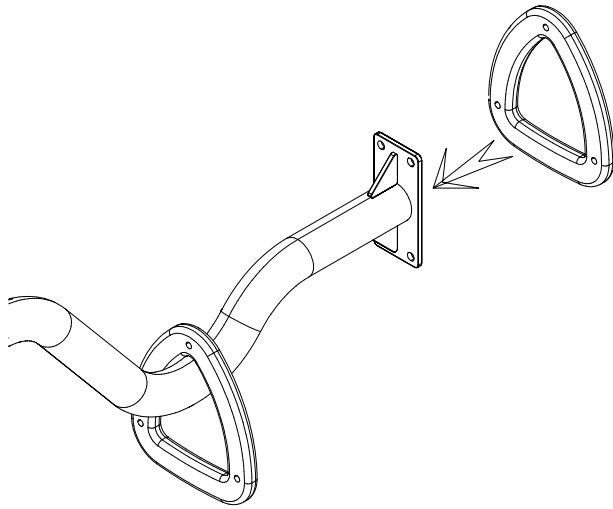


DET 6

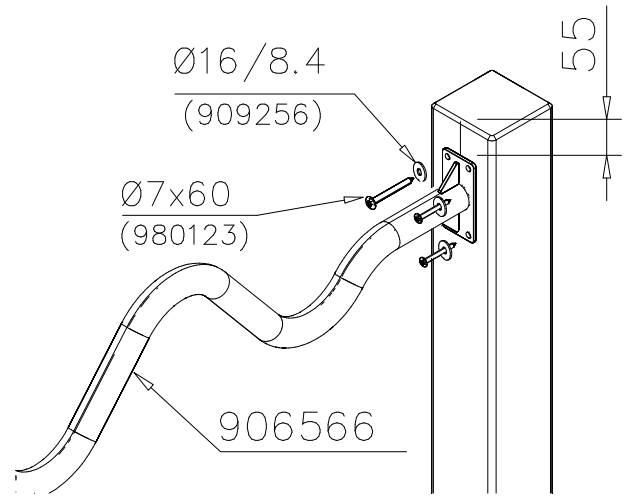




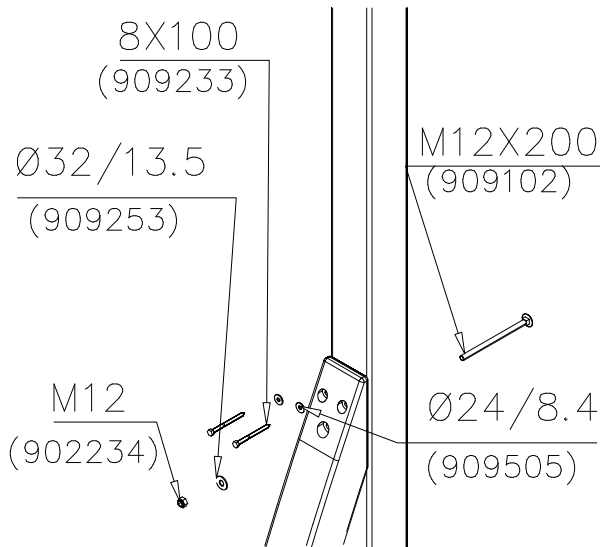
DET 13



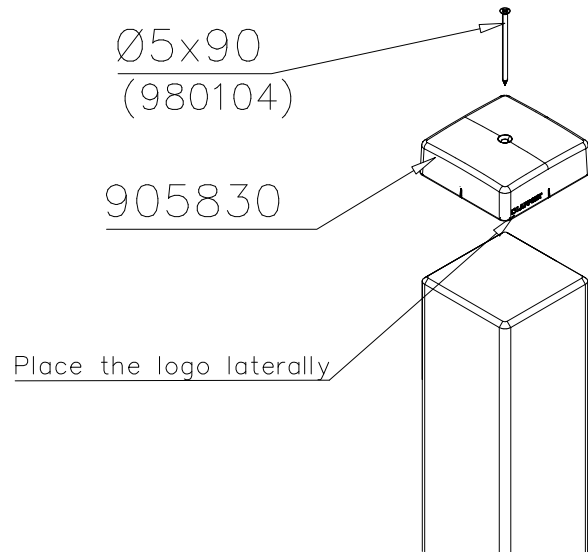
DET 14



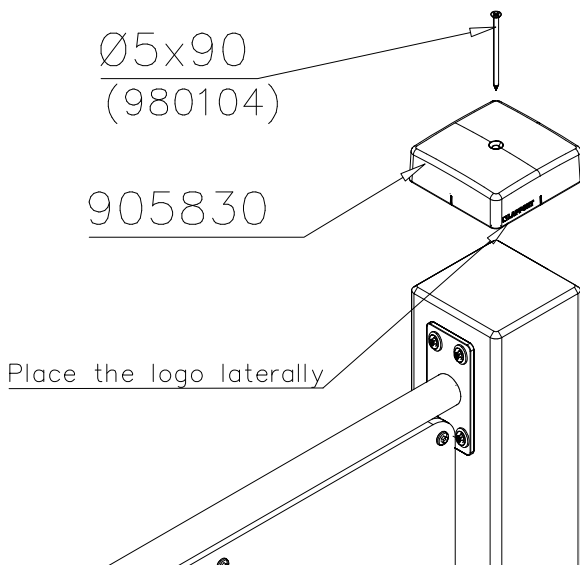
DET 15



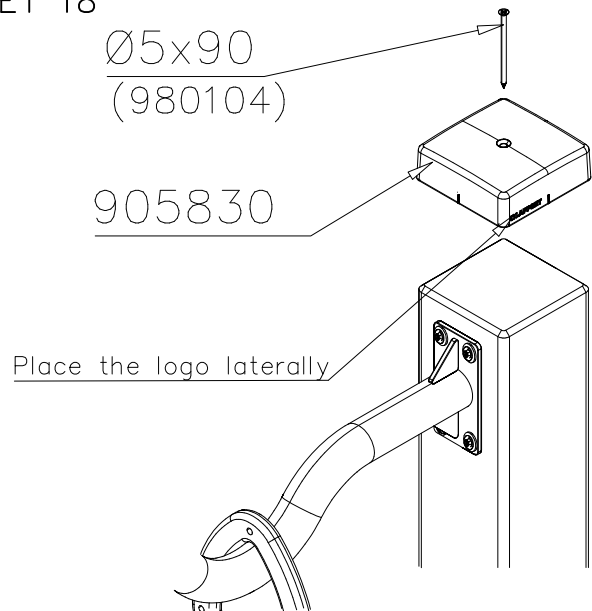
DET 16

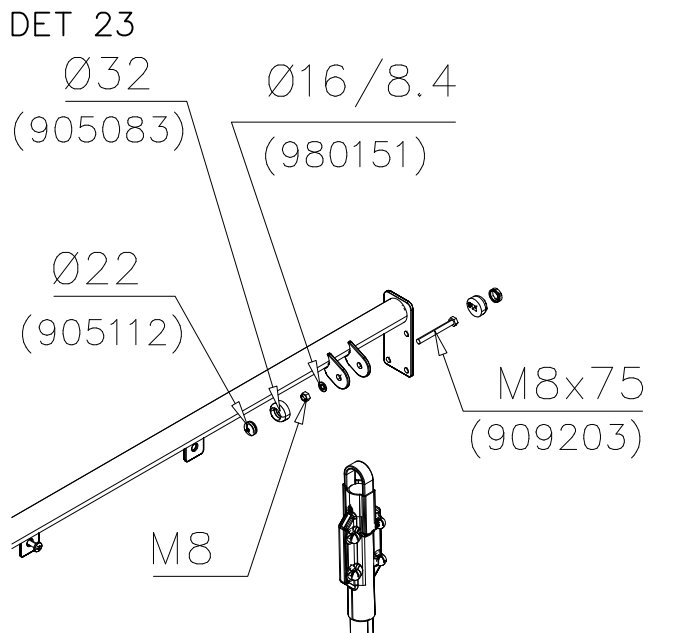
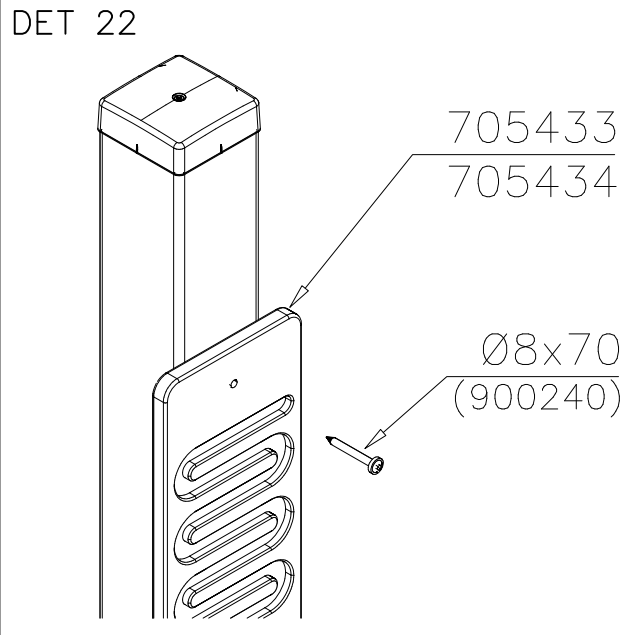
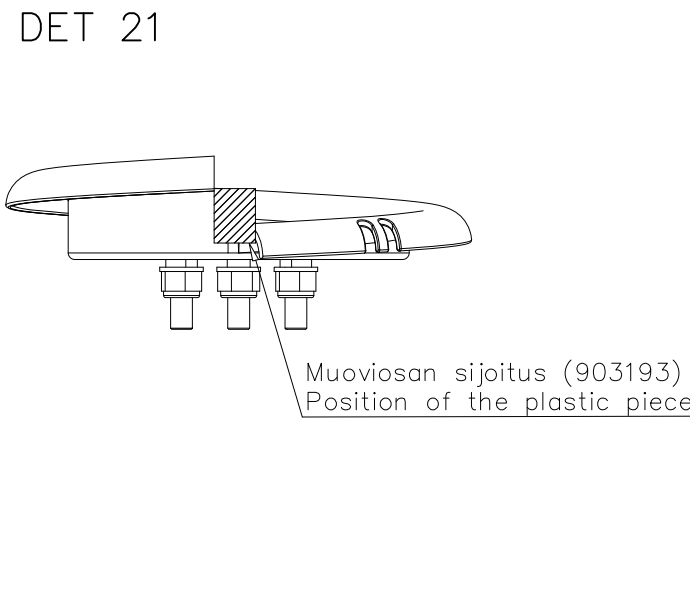
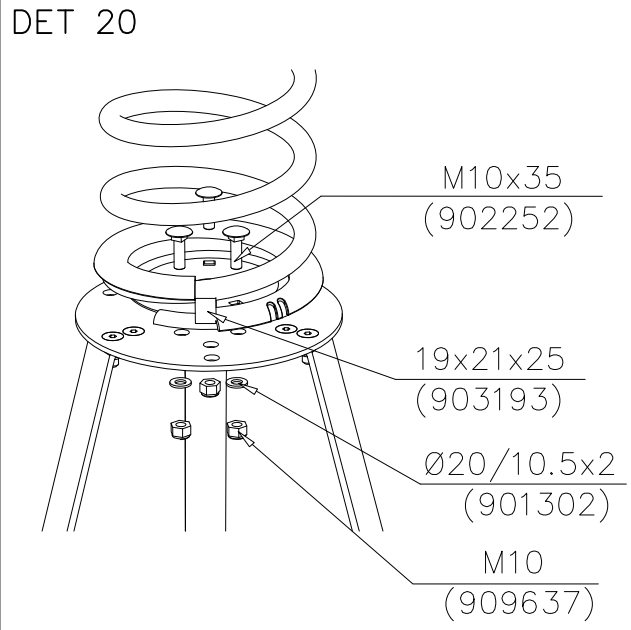
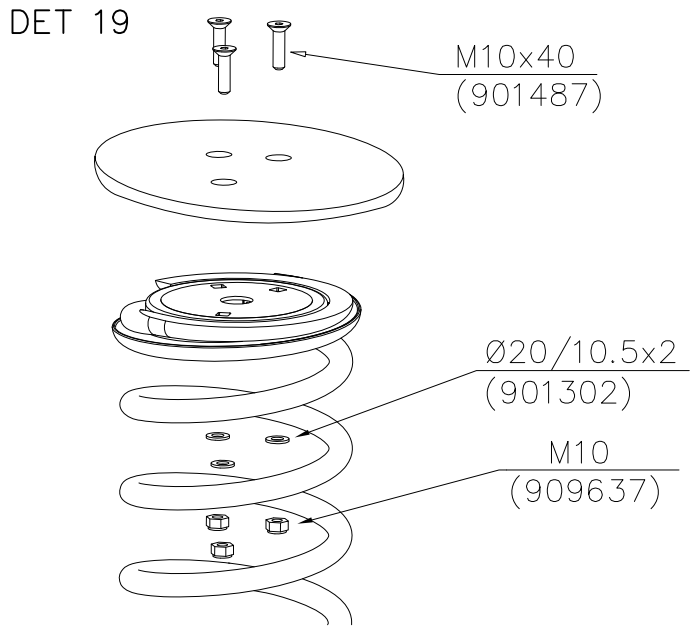


DET 17

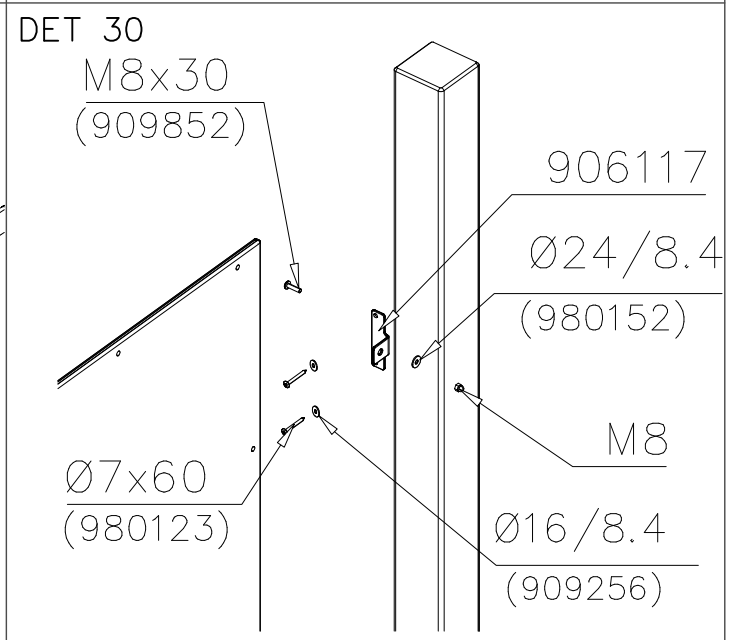
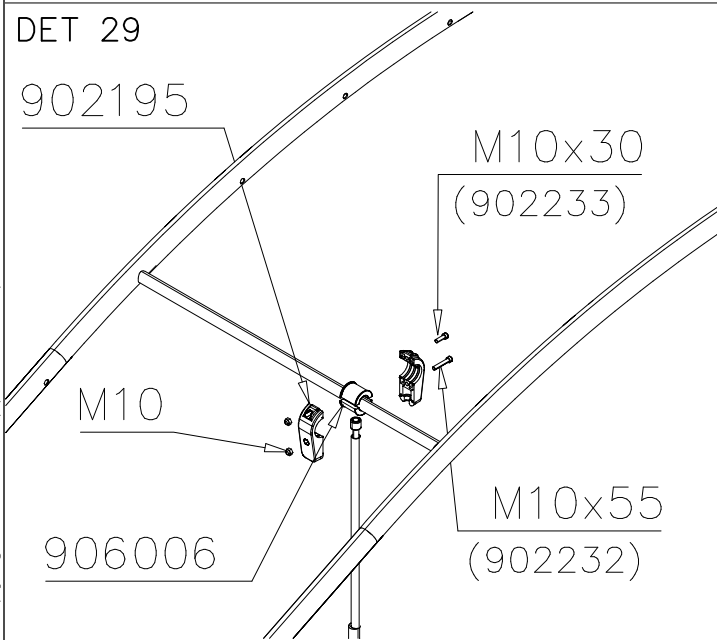
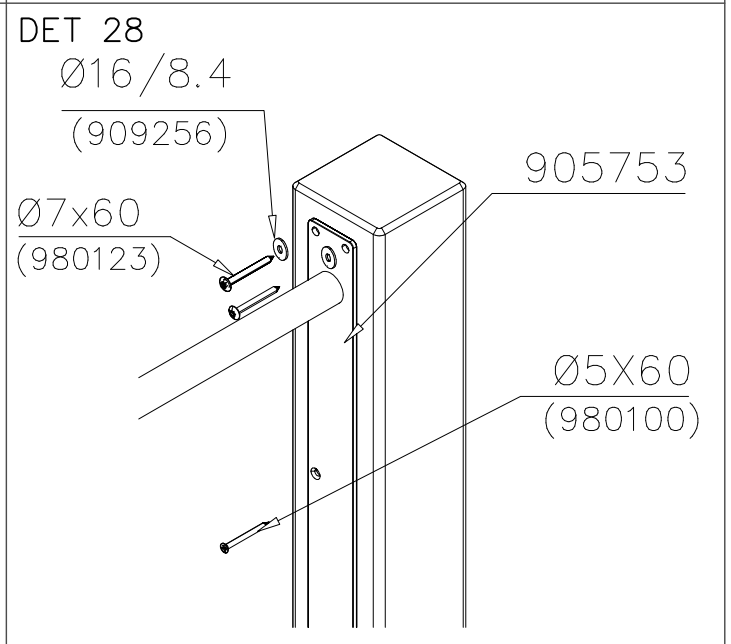
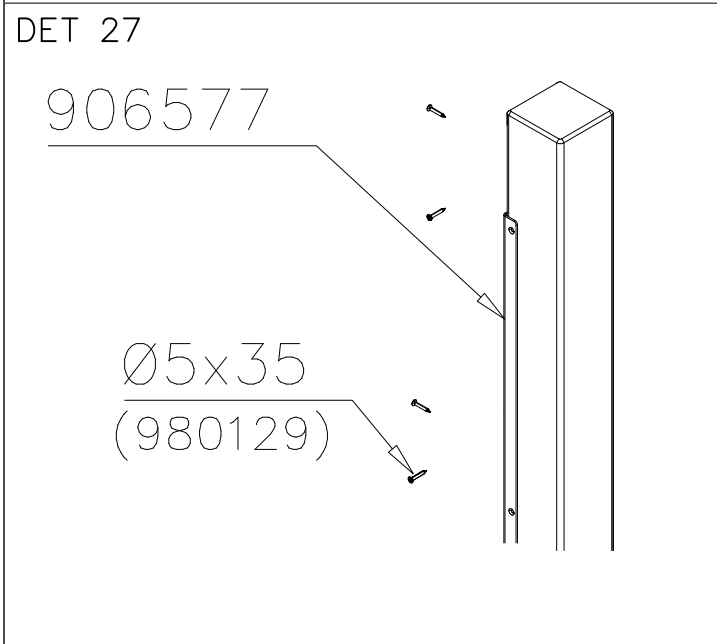
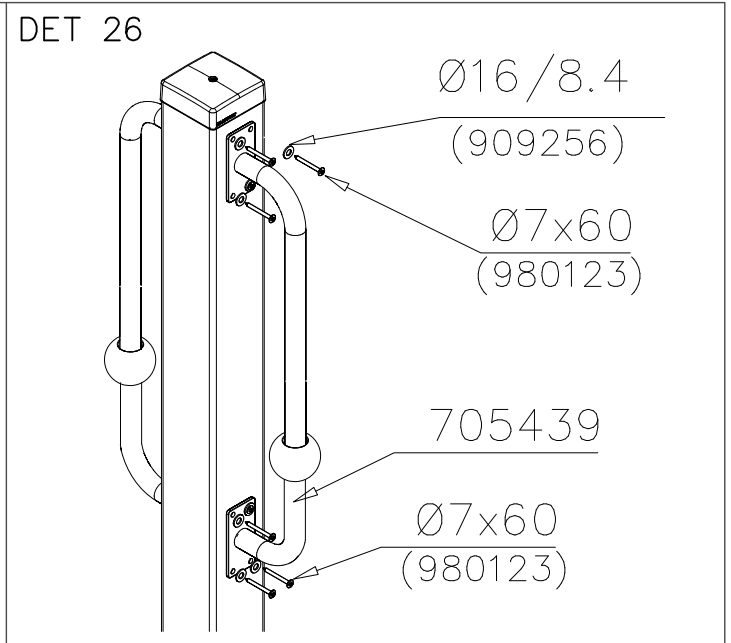
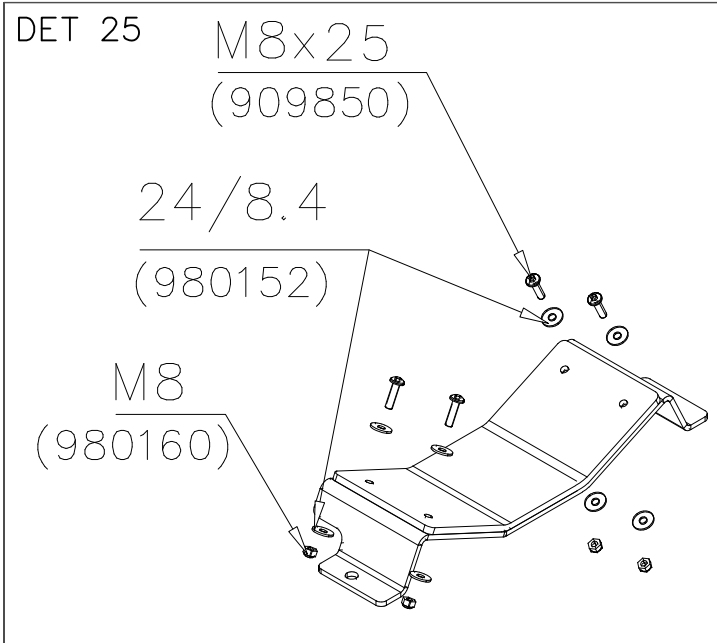


DET 18

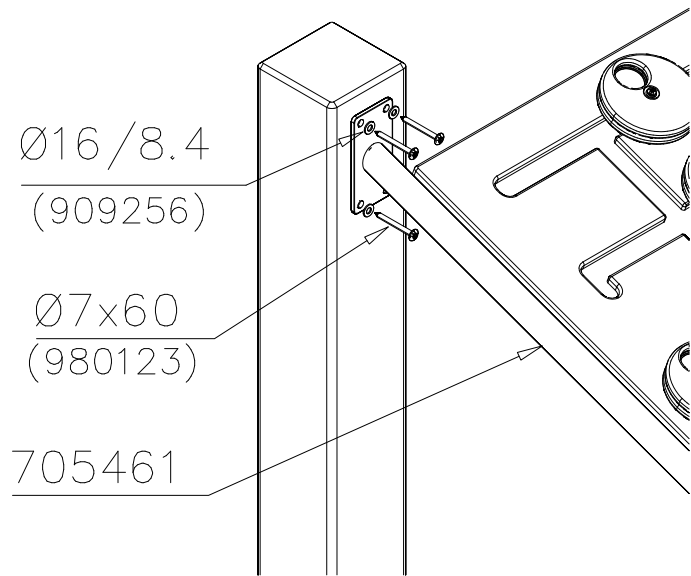




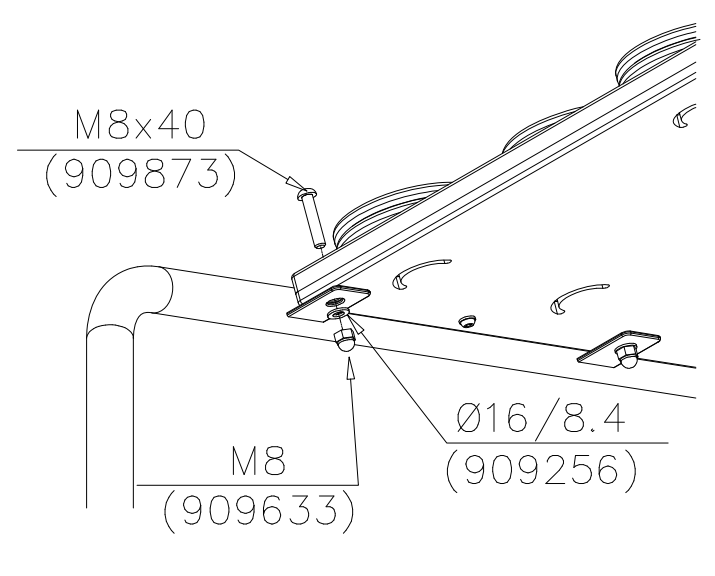




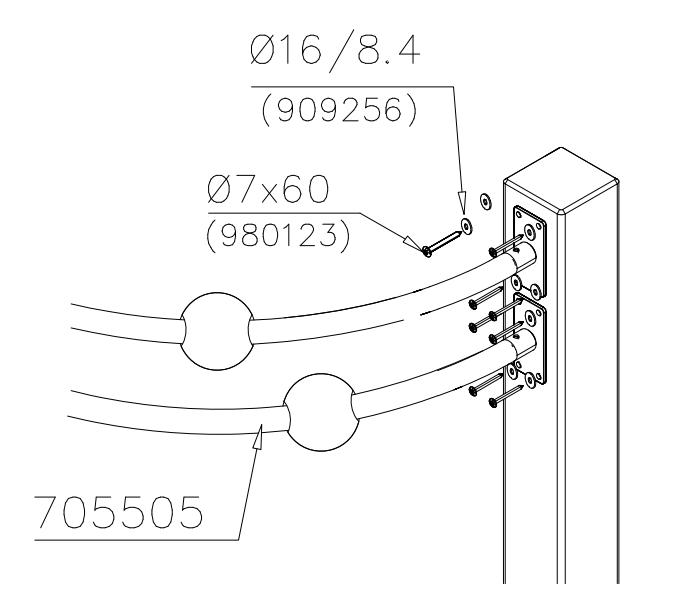
DET 31



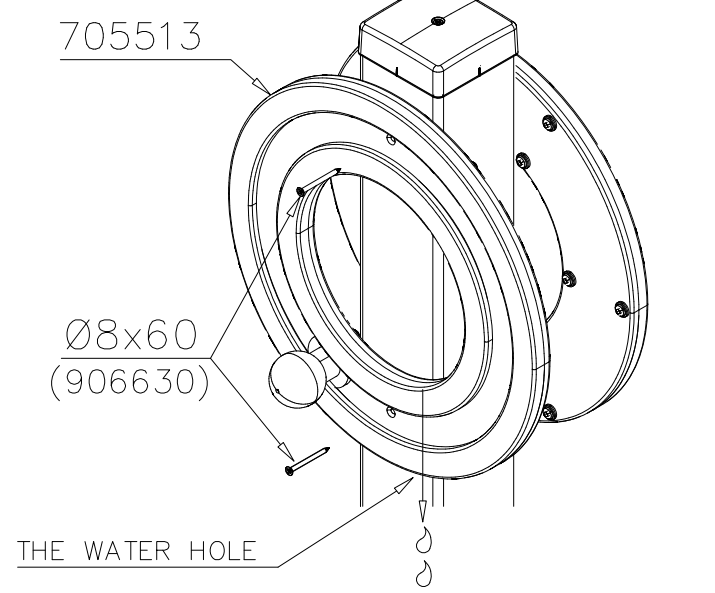
DET 32



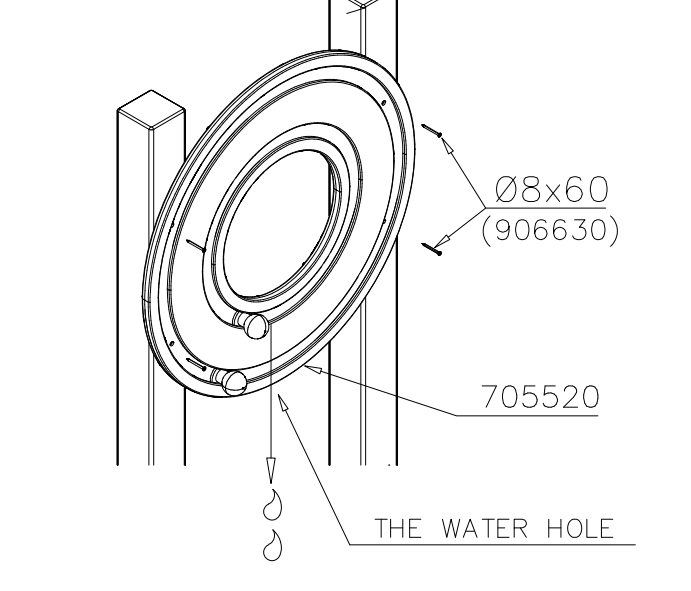
DET 33



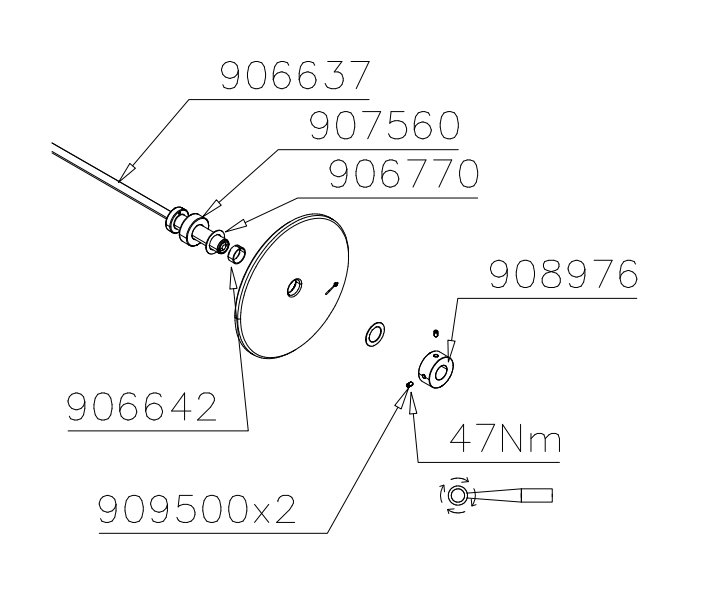
DET 34



DET 35



DET 36



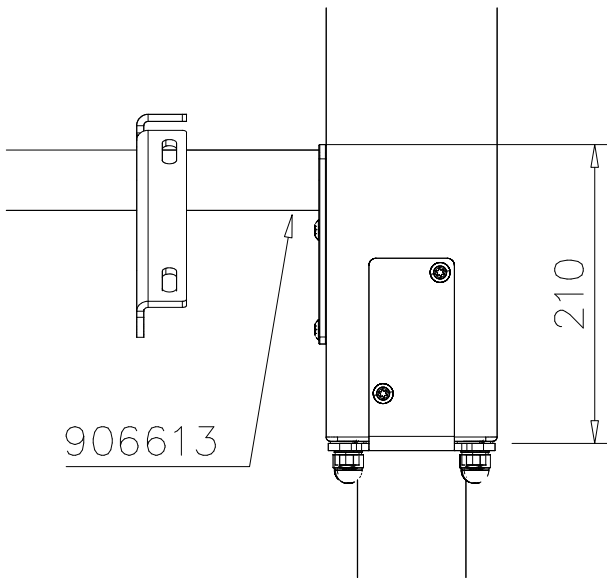
DET 37



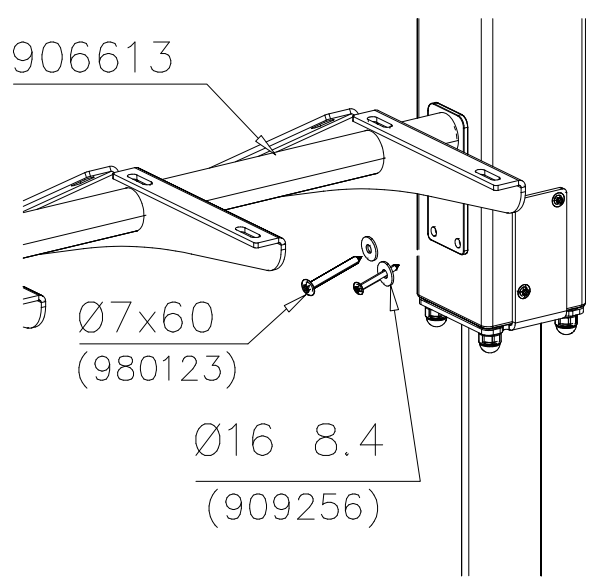
DET 38



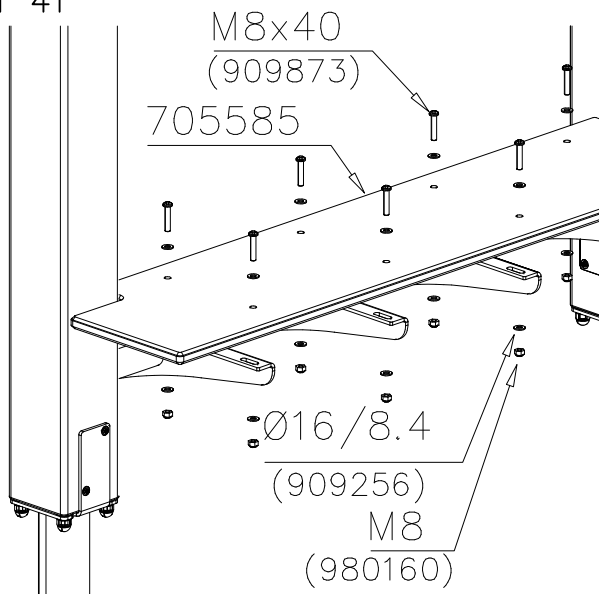
DET 39



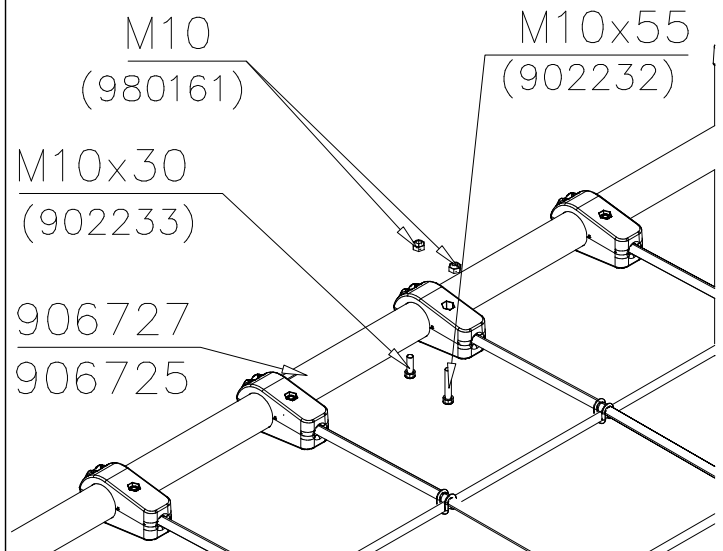
DET 40

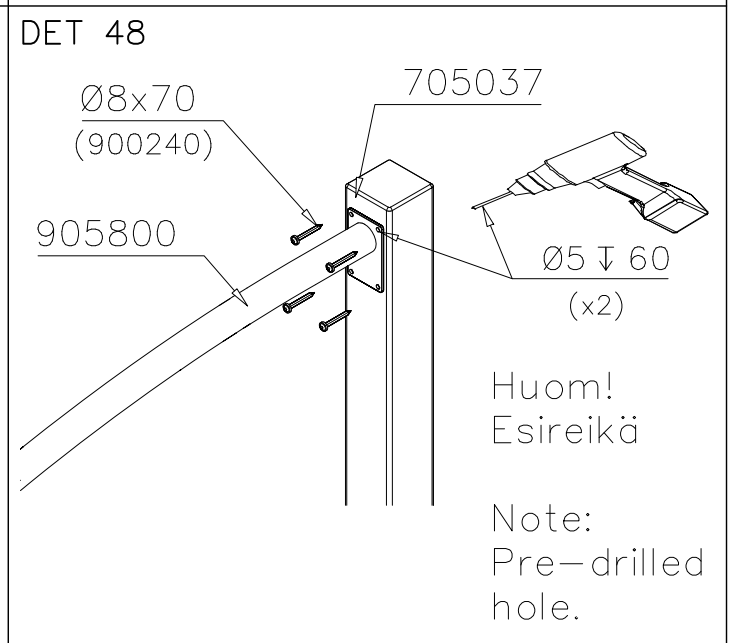
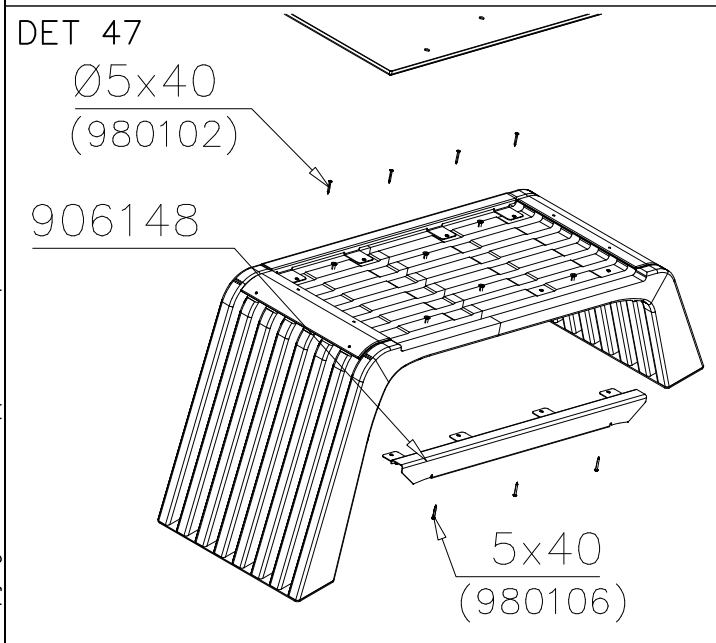


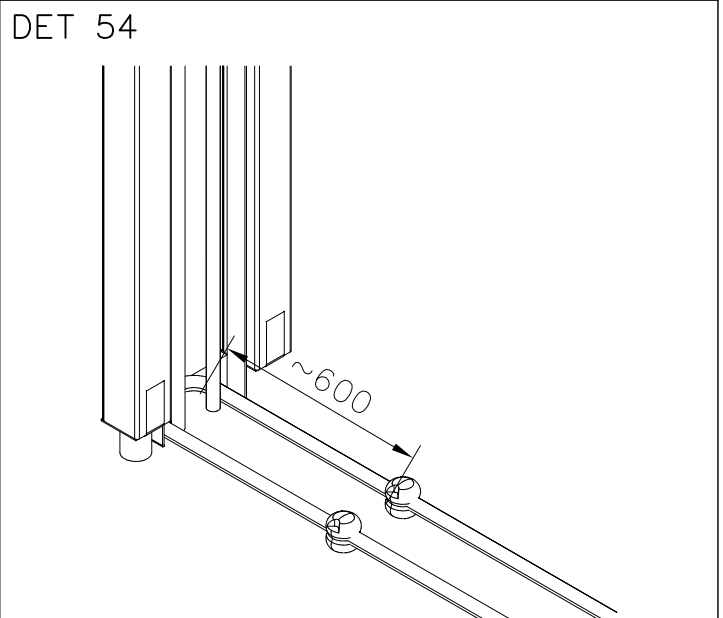
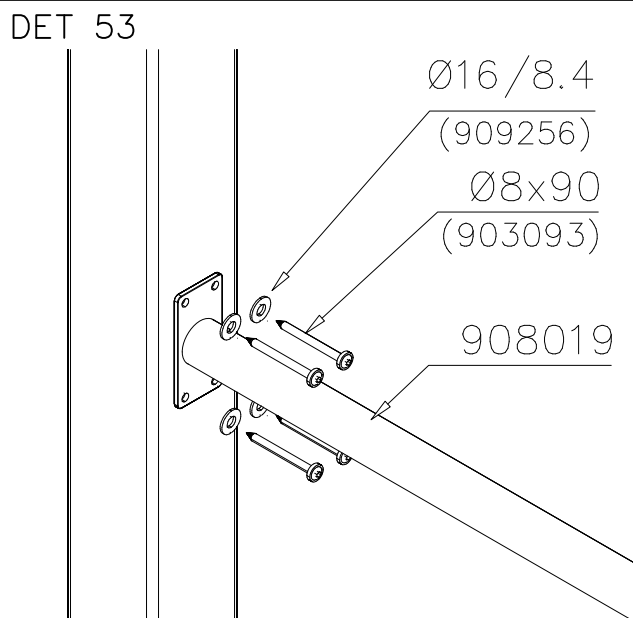
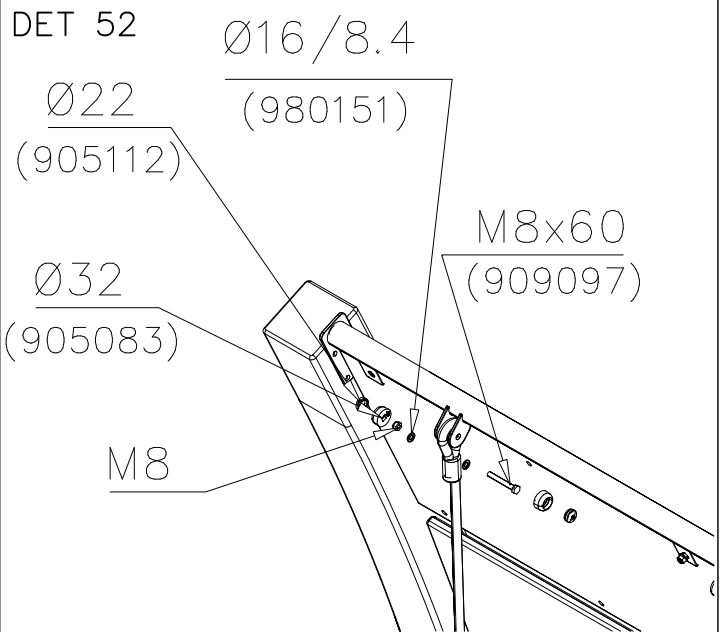
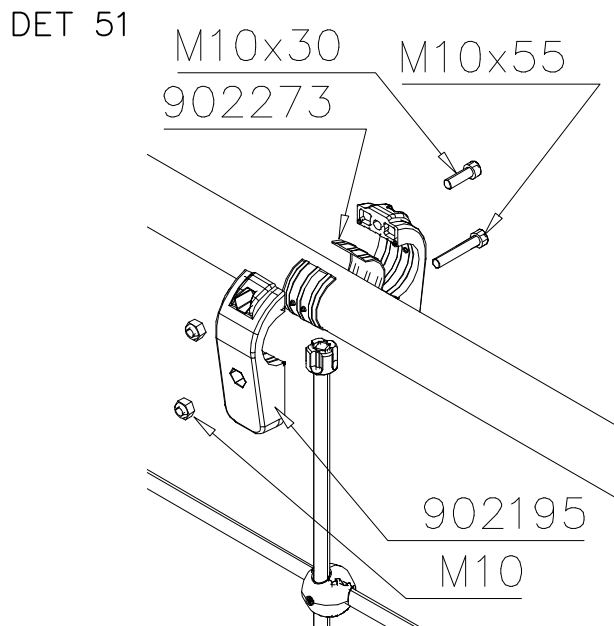
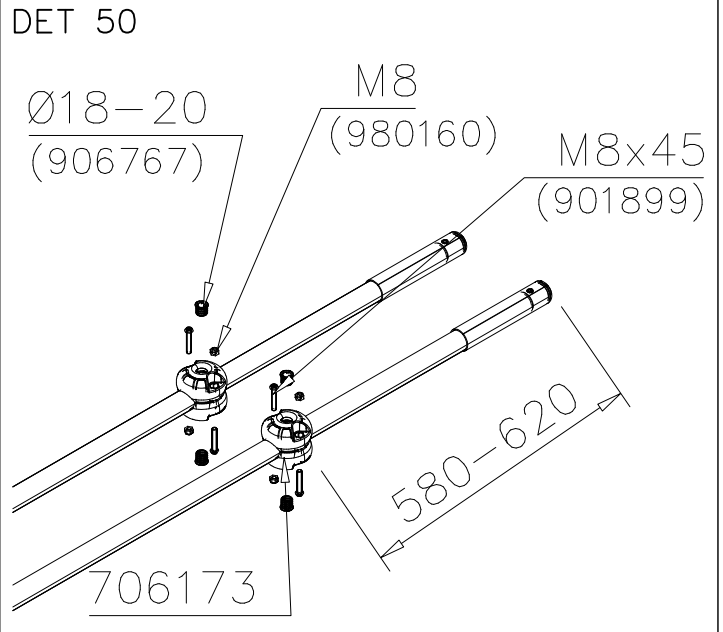
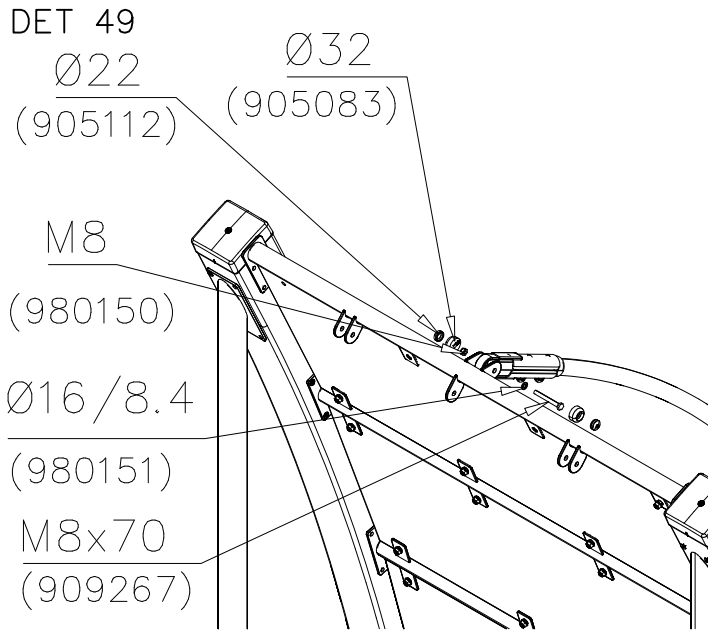
DET 41



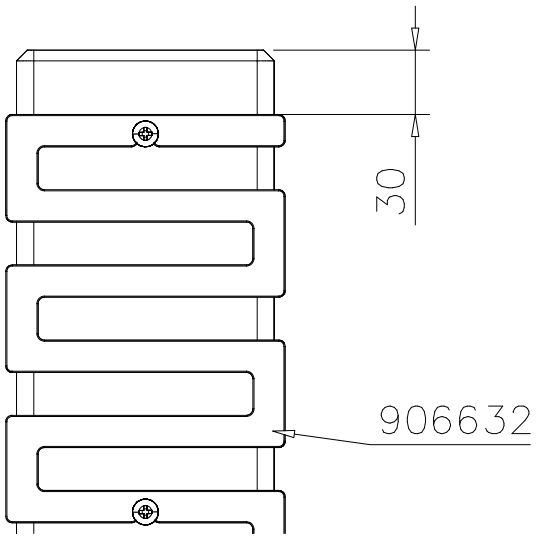
DET 42



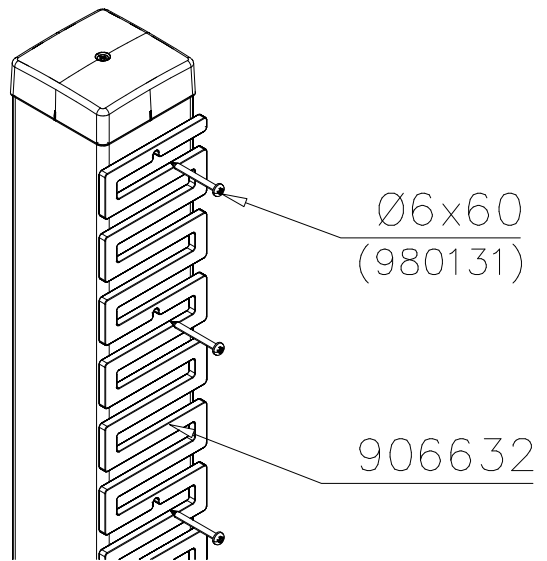




DET 55



DET 56



DET 57

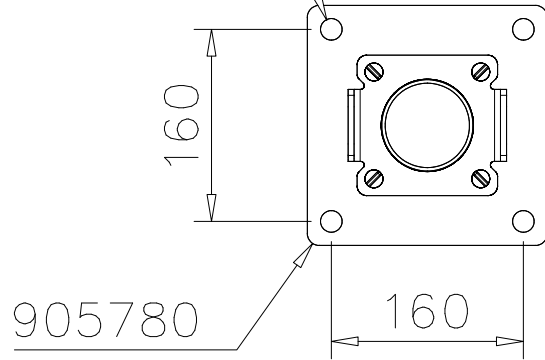
DET 58

DET 59

DET 60

DET 1

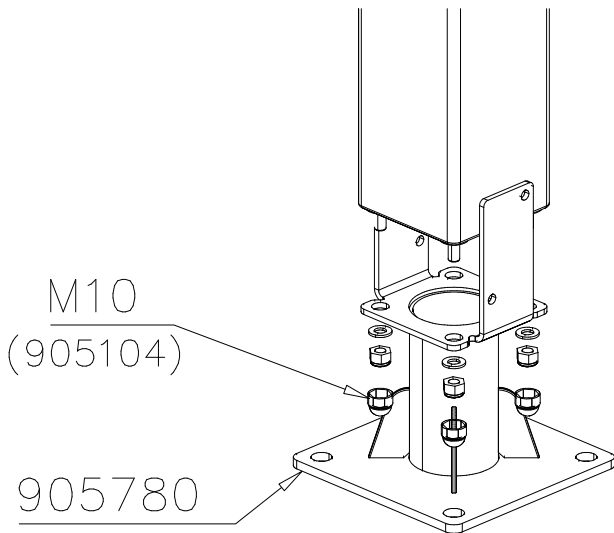
$\varnothing 16 \downarrow > 130$



DET 2



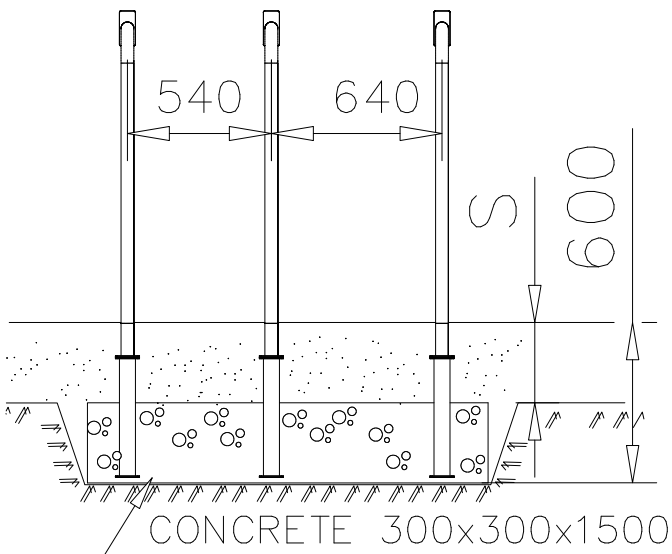
DET 3



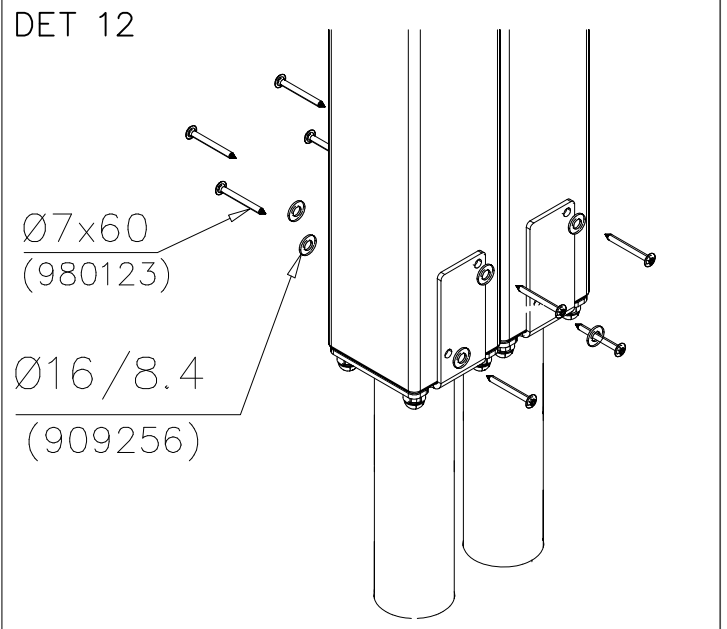
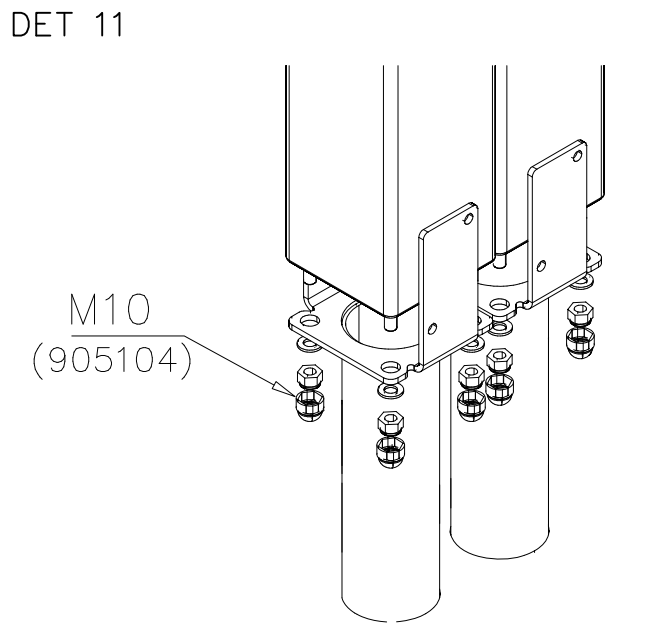
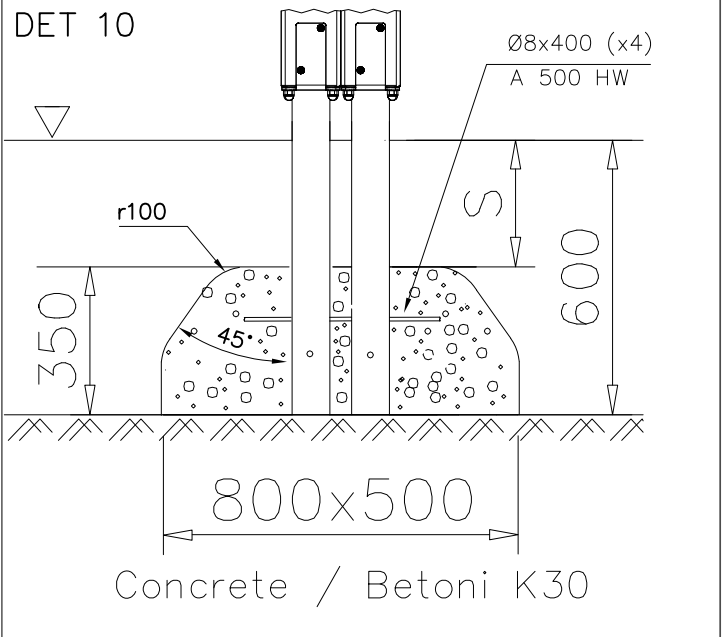
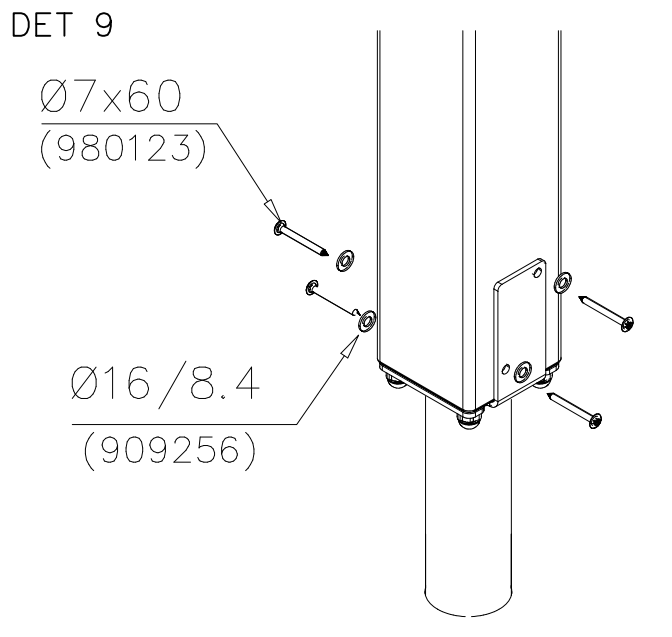
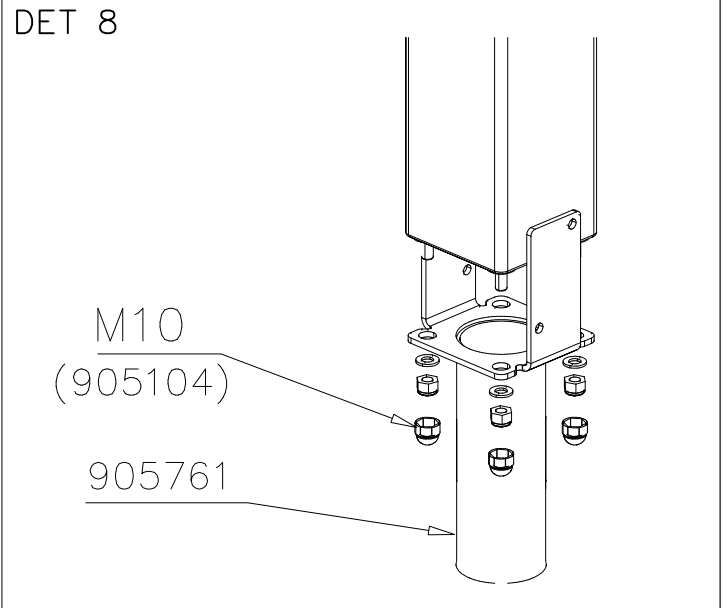
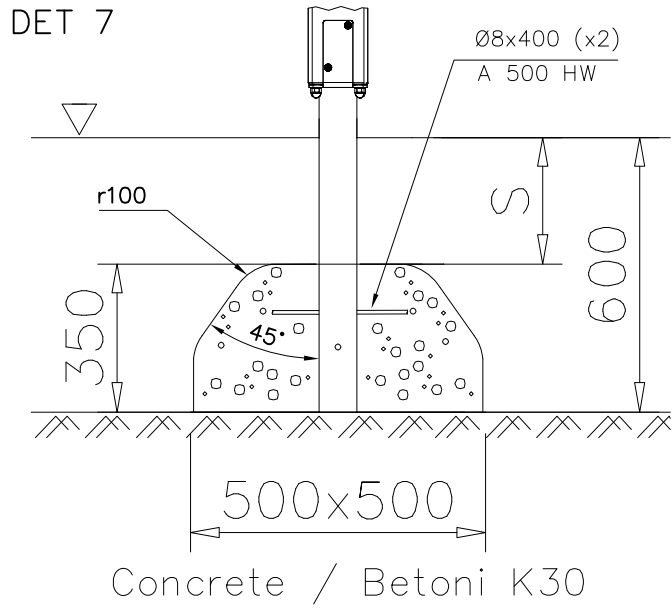
DET 4



DET 5

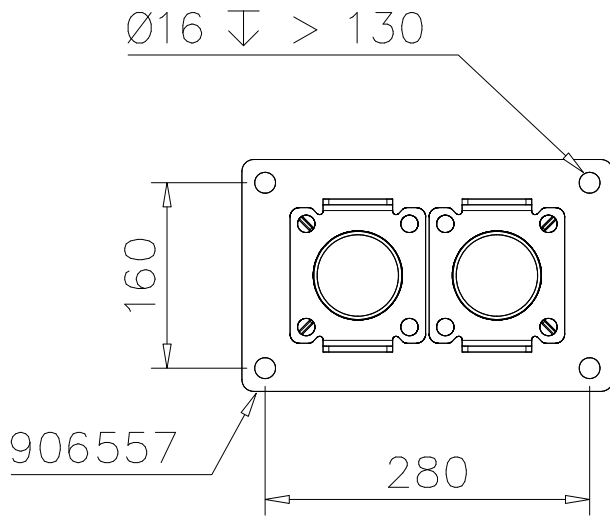


DET 6





DET 13



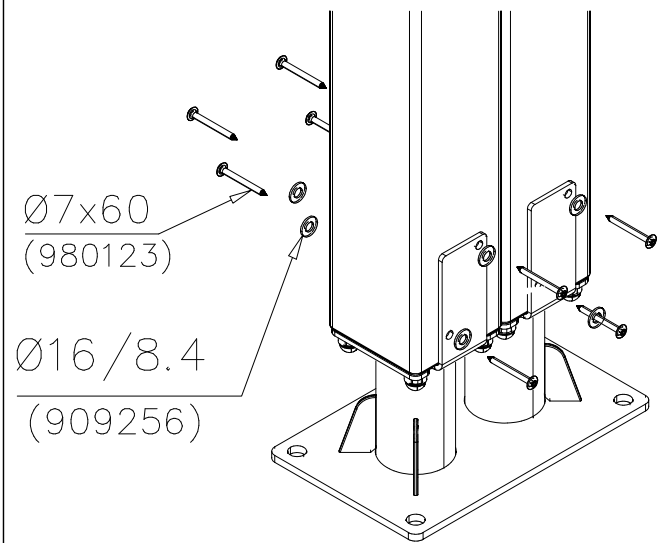
DET 14



DET 15

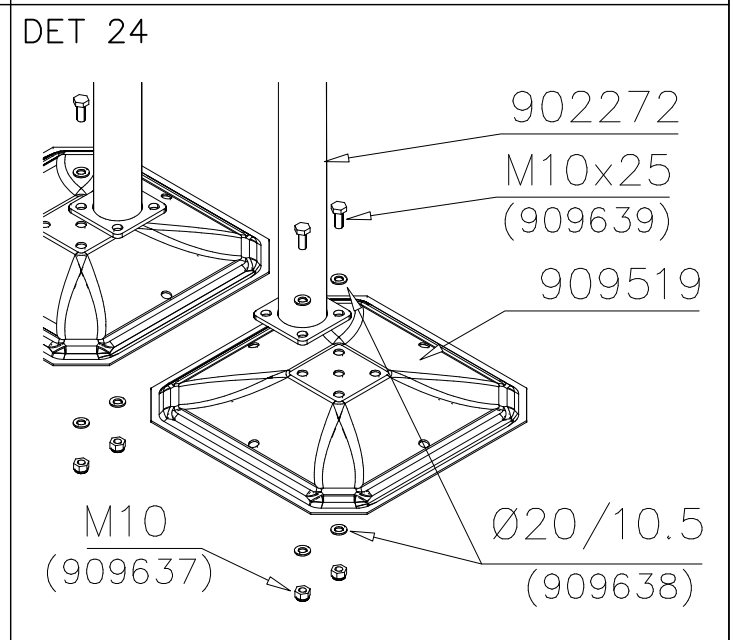
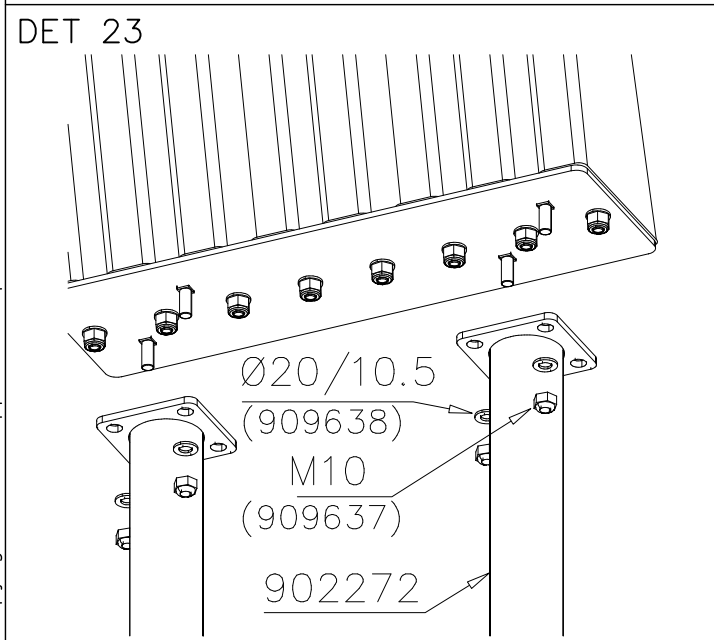
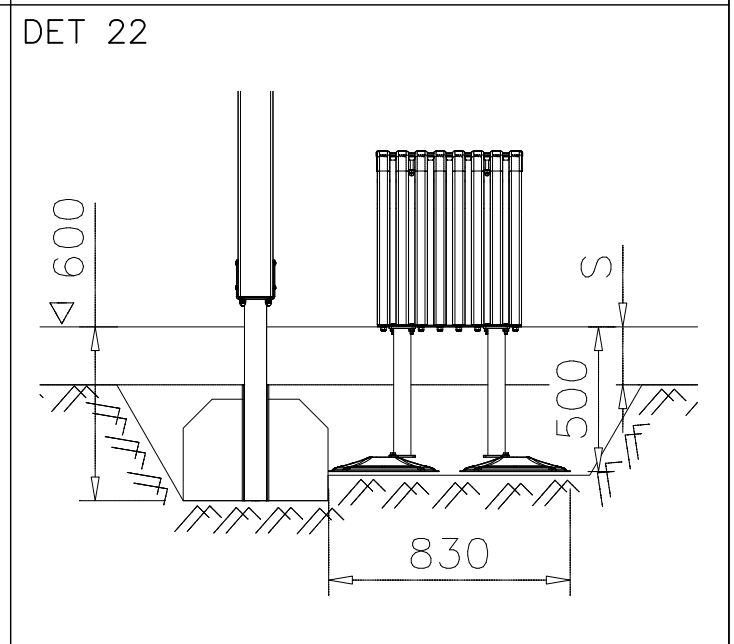
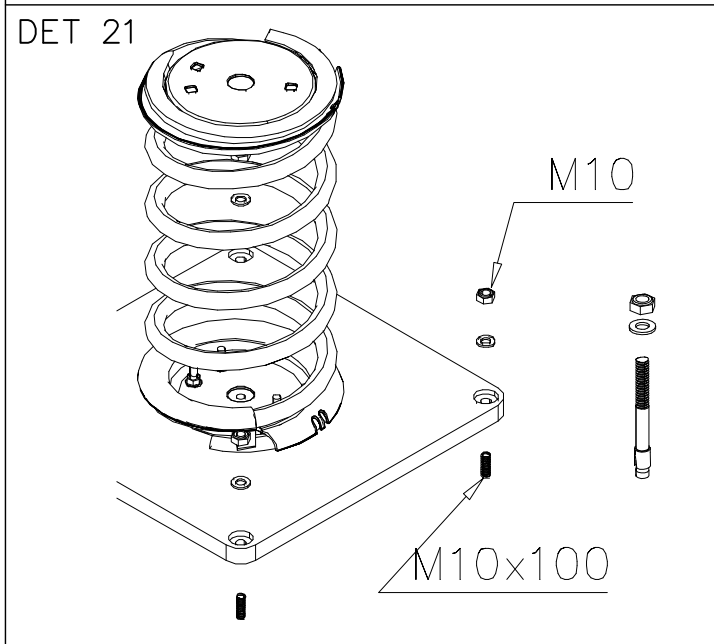
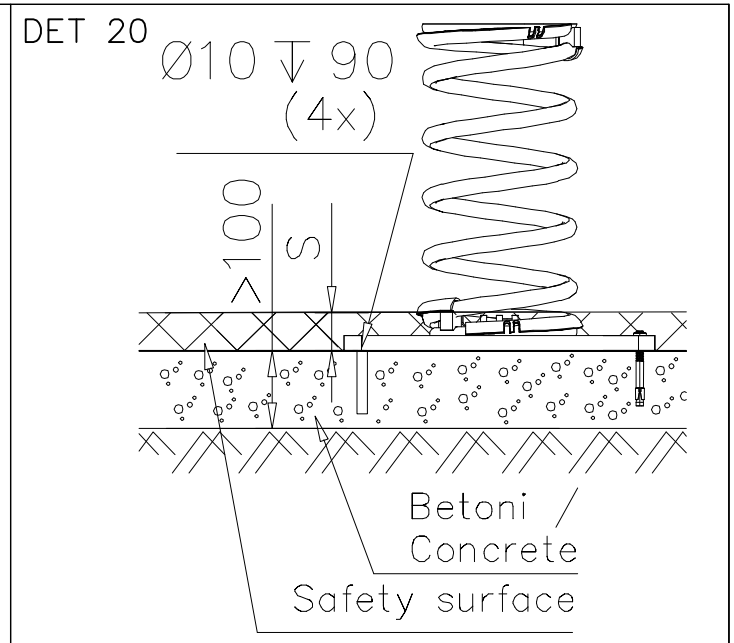
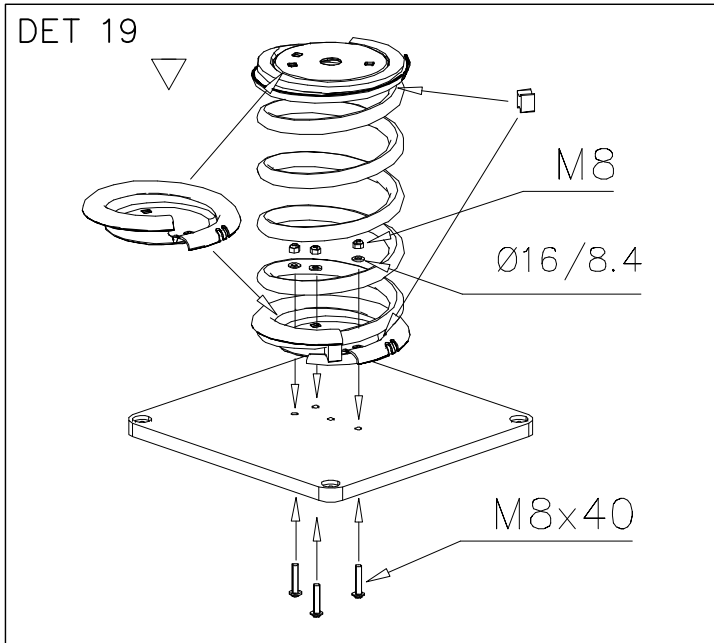


DET 16



DET 17

DET 18

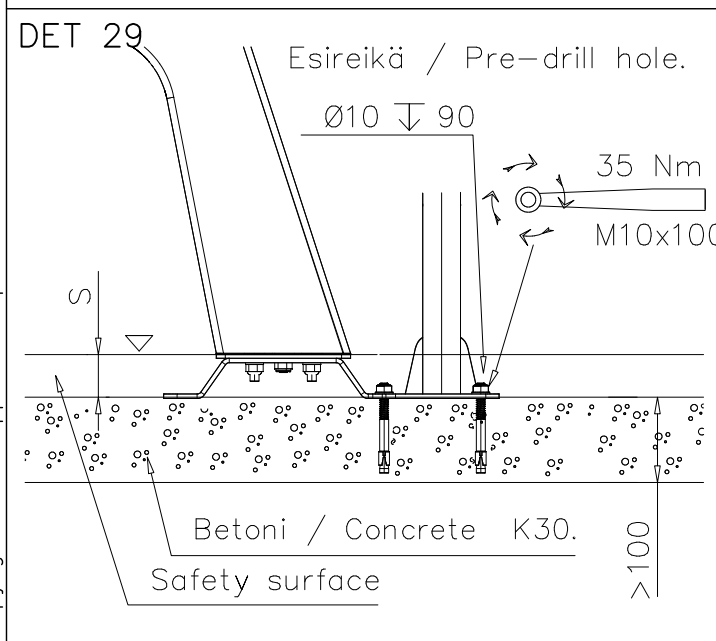
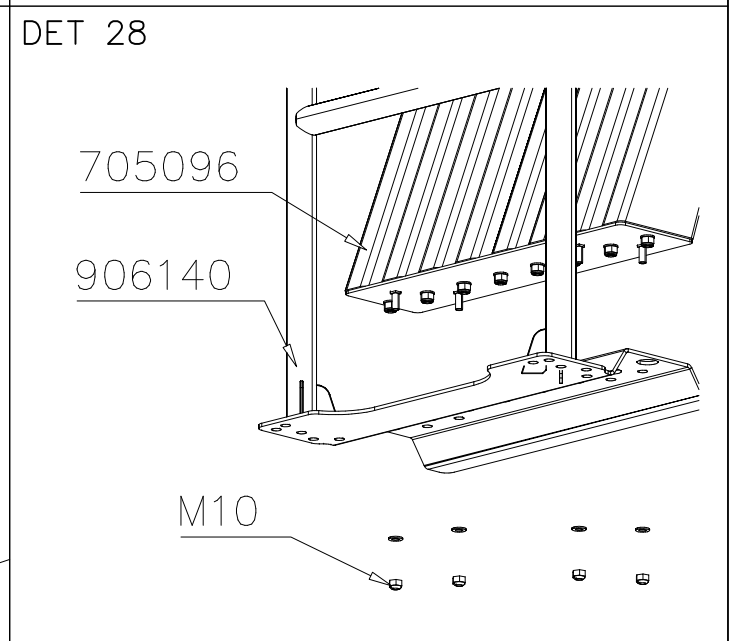
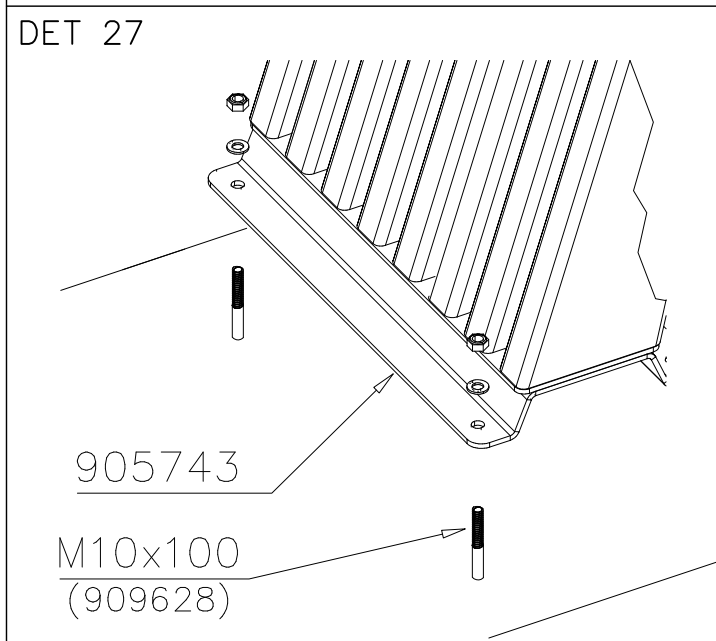
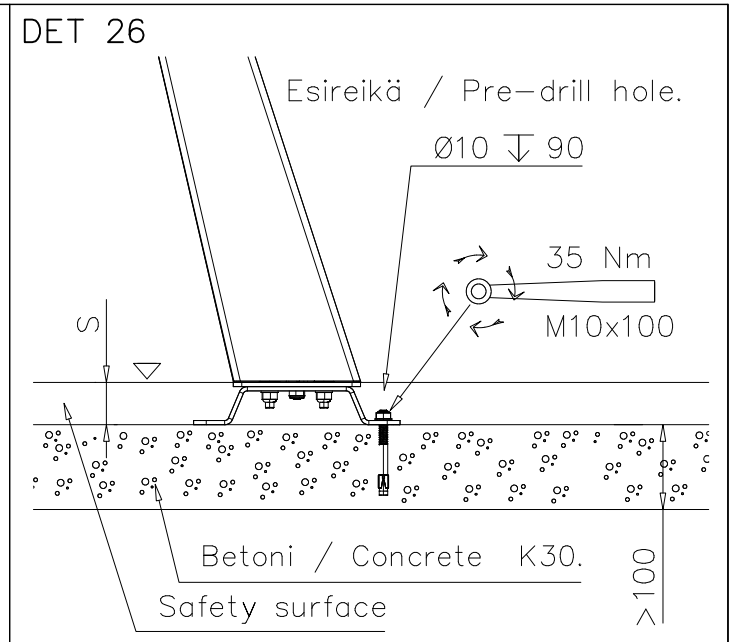
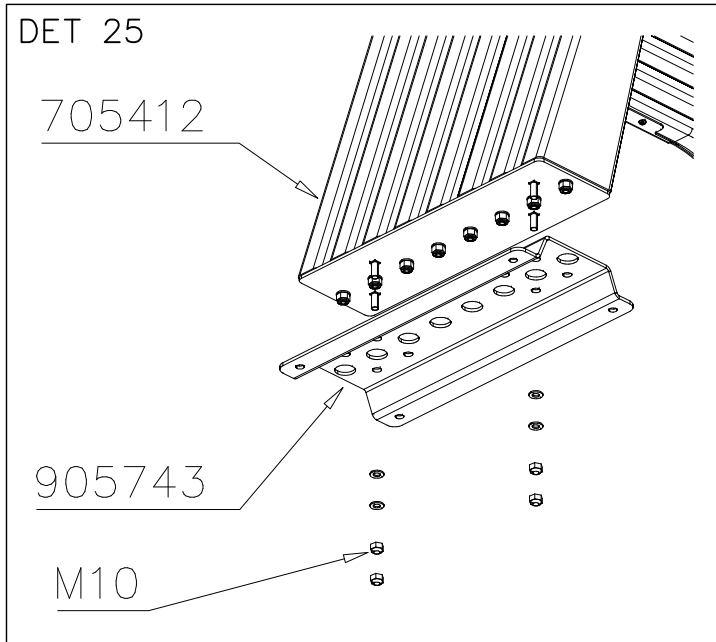


# LAPPSET SPORT

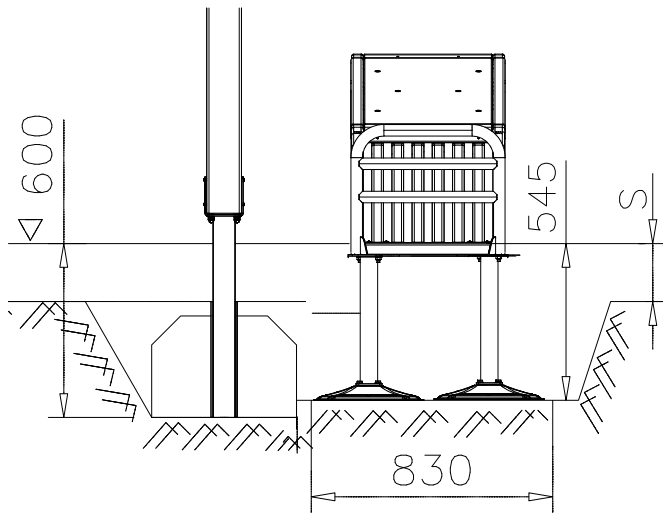
# BASE

DATE: 29.4.2015

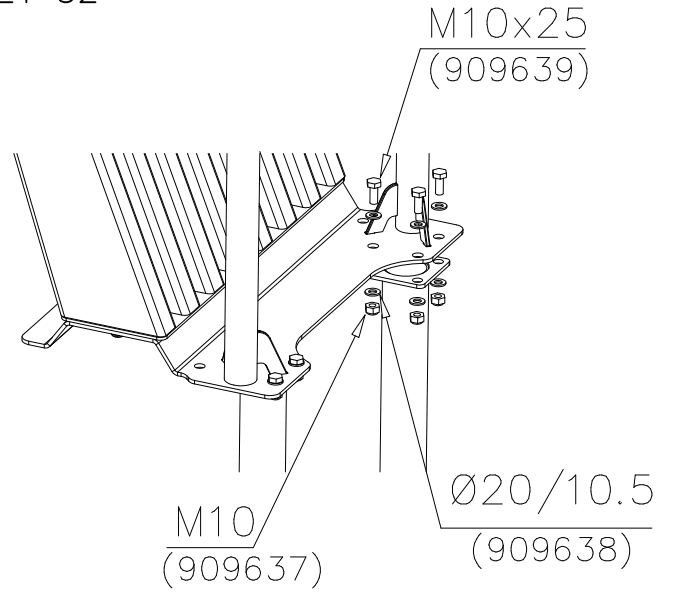
5(10)



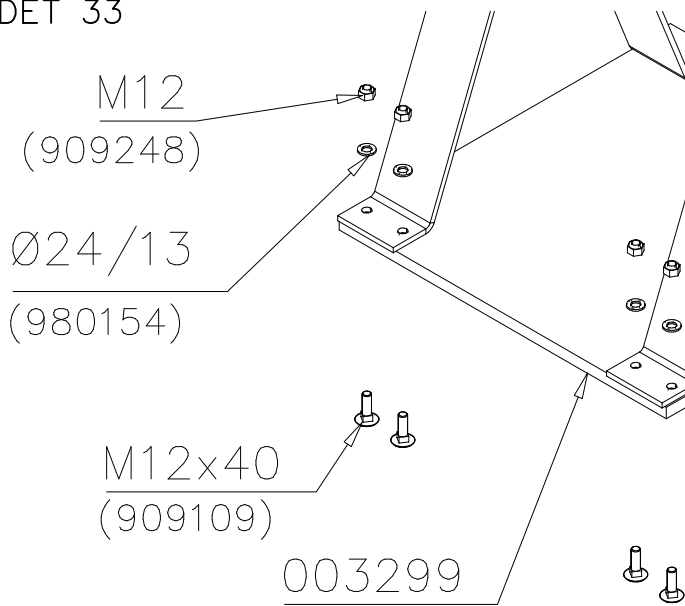
DET 31



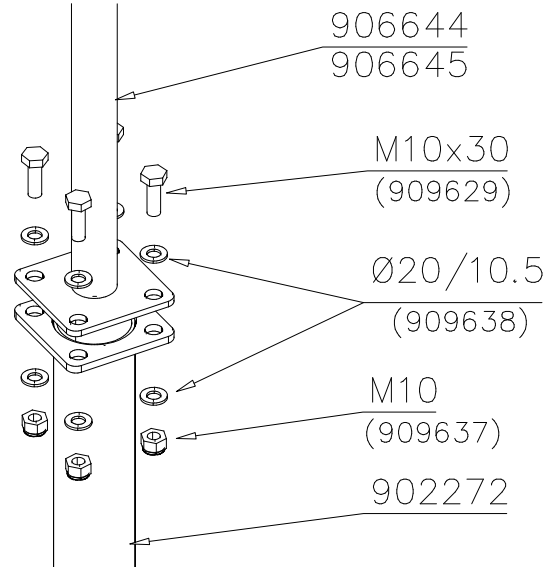
DET 32



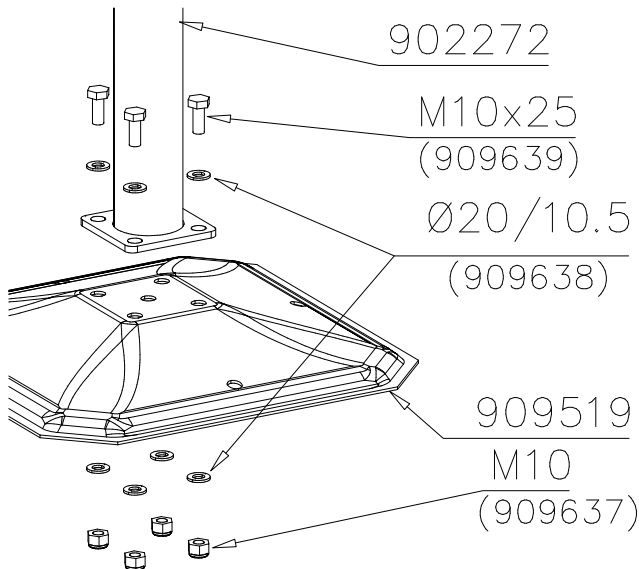
DET 33



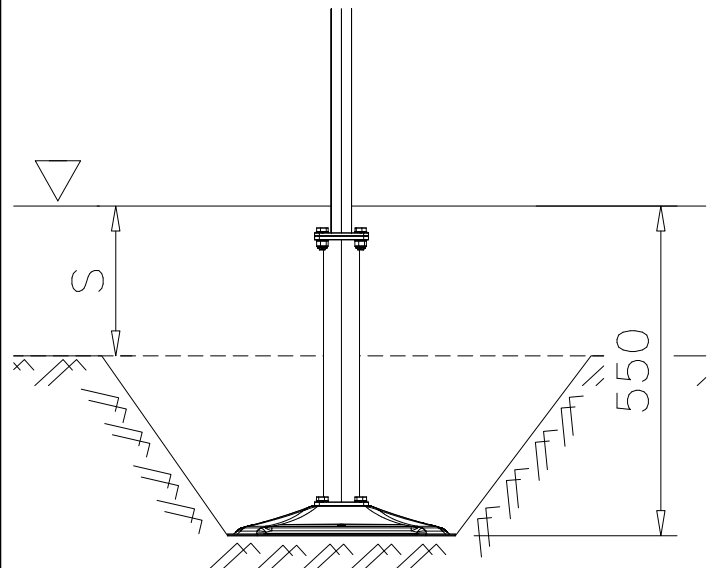
DET 34



DET 35



DET 36



DET 37



DET 38



DET 39



DET 40



DET 41



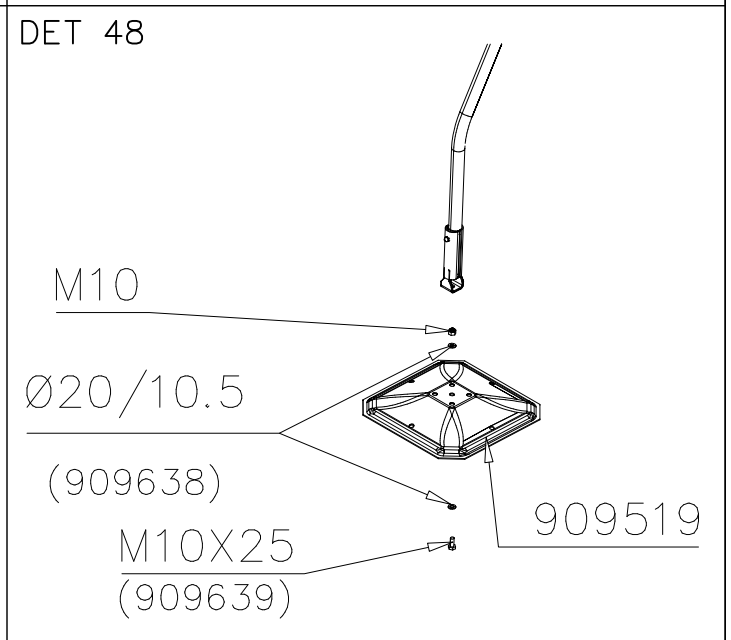
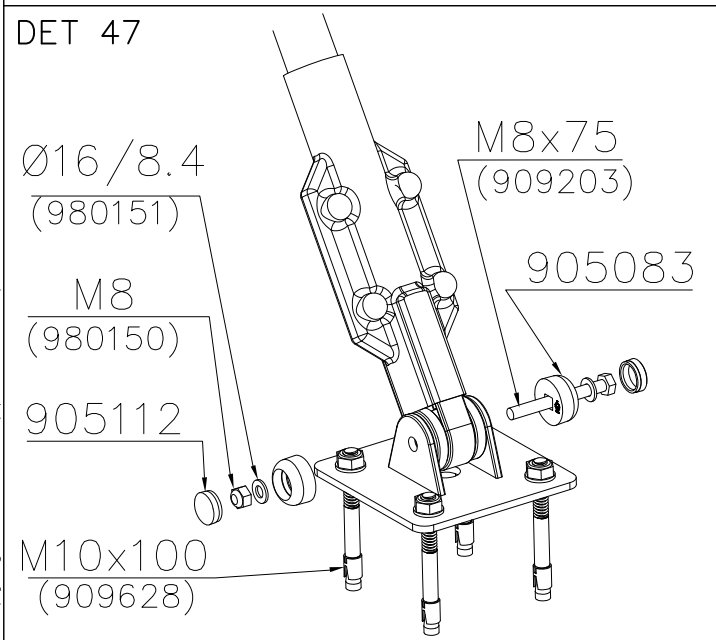
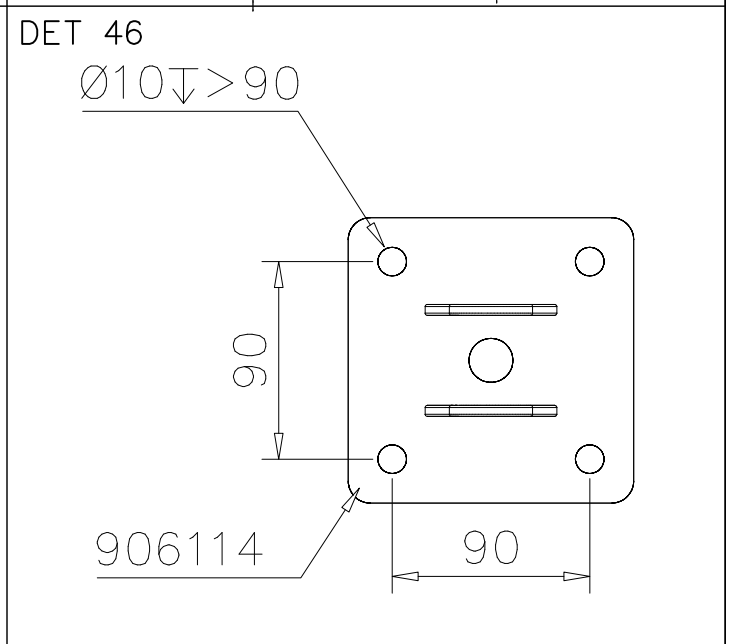
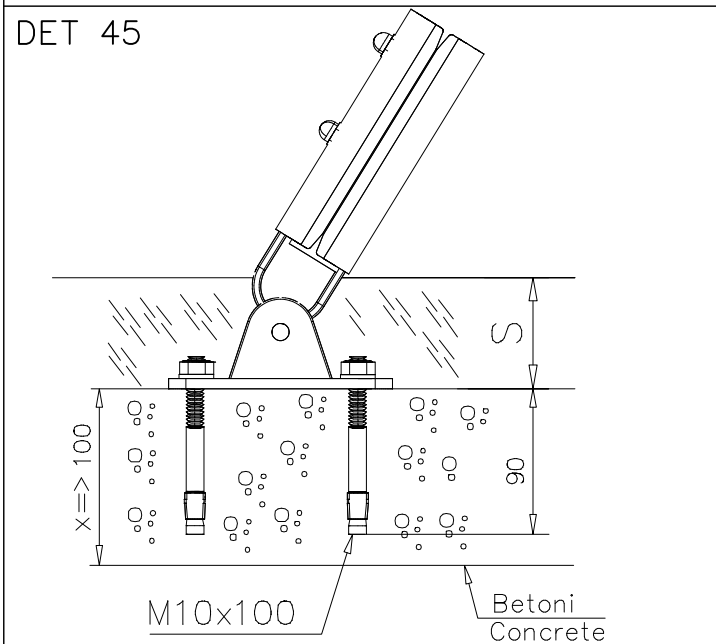
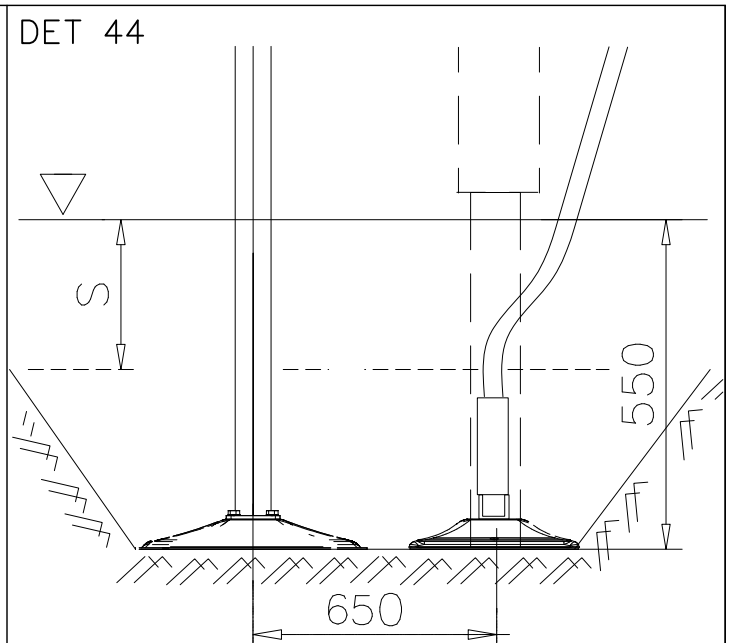
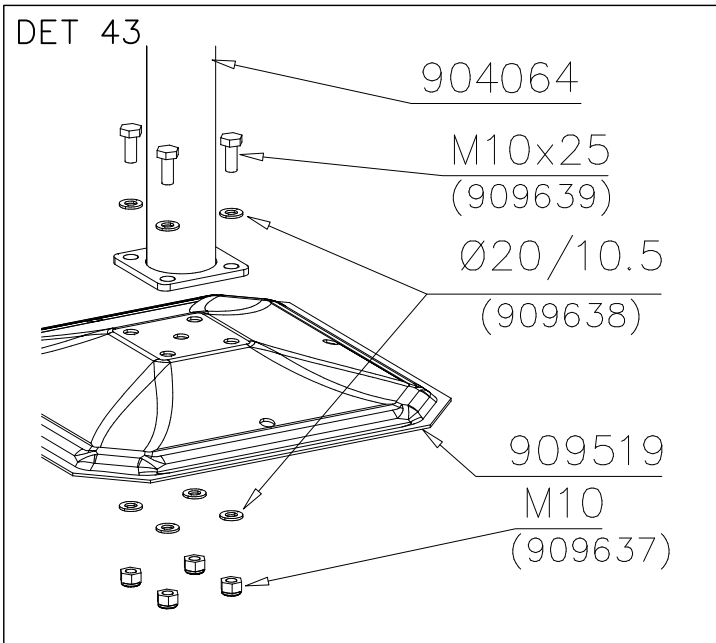
DET 42

# LAPPSET SPORT

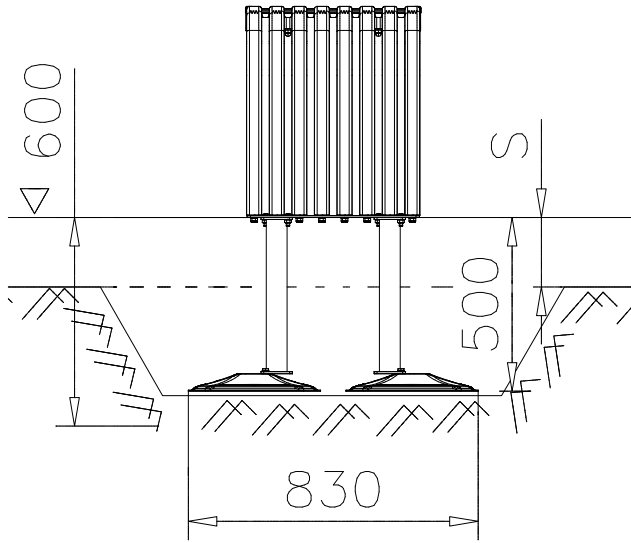
# BASE

DATE: 15.8.2017

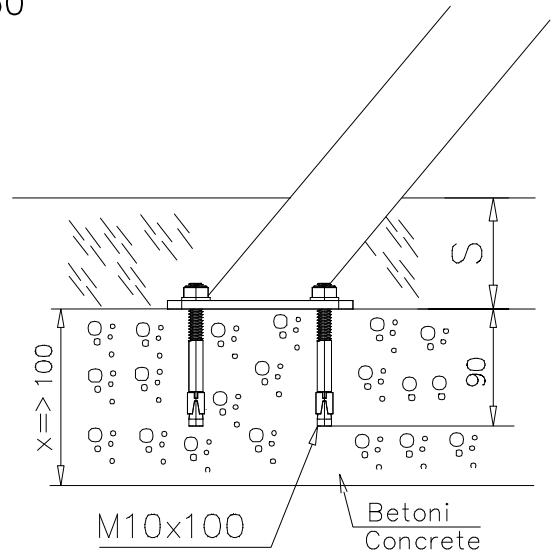
8(10)



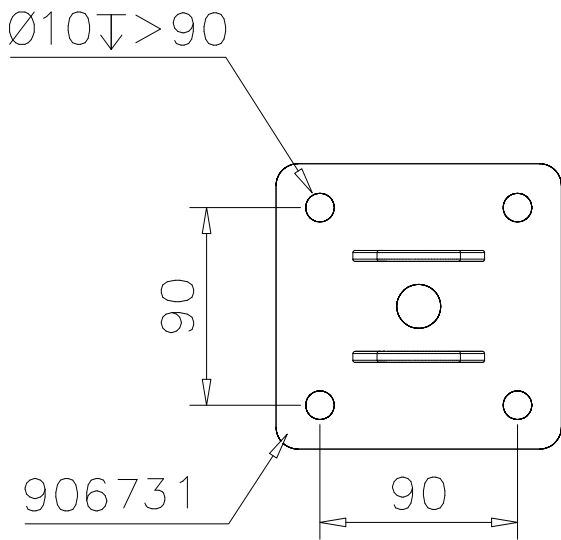
DET 49



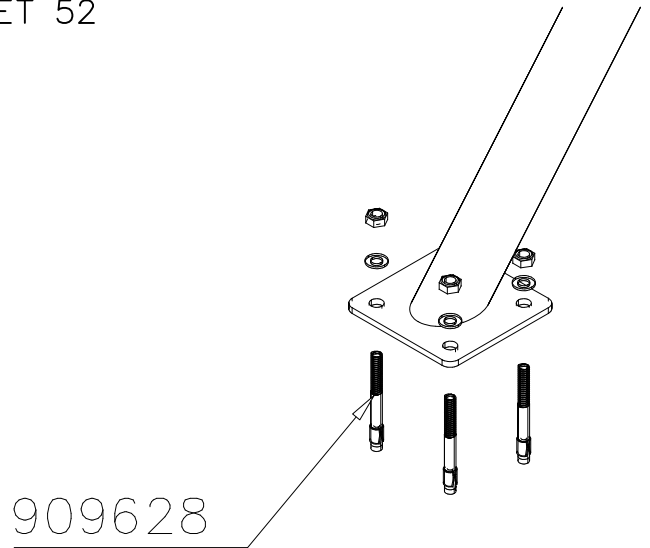
DET 50



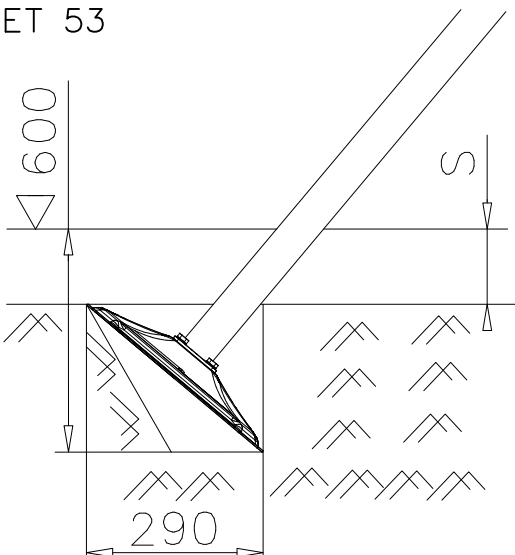
DET 51



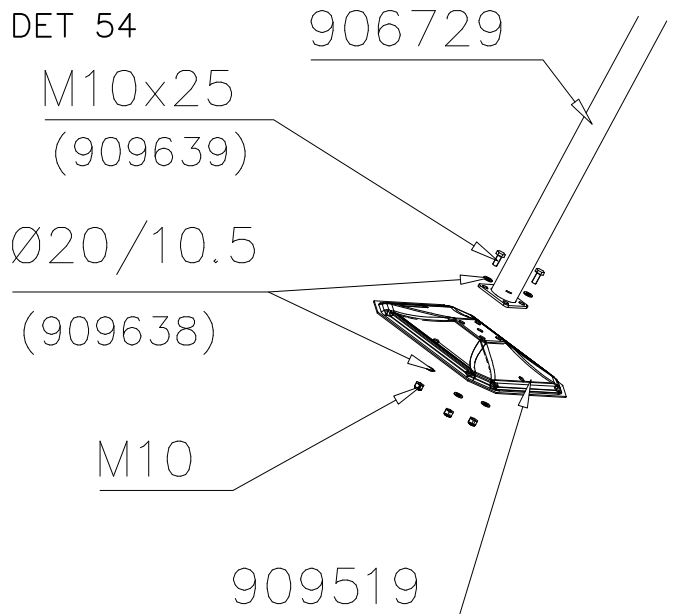
DET 52



DET 53

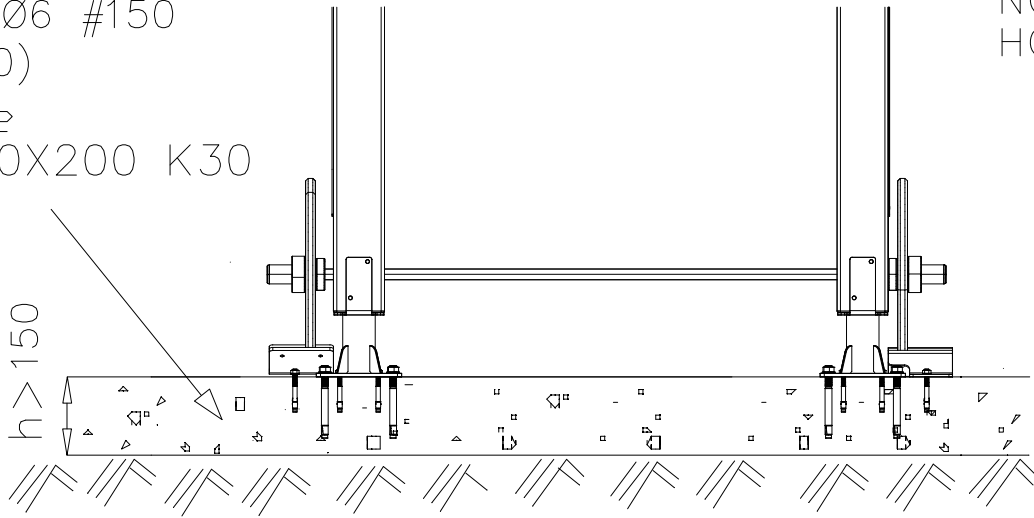


DET 54



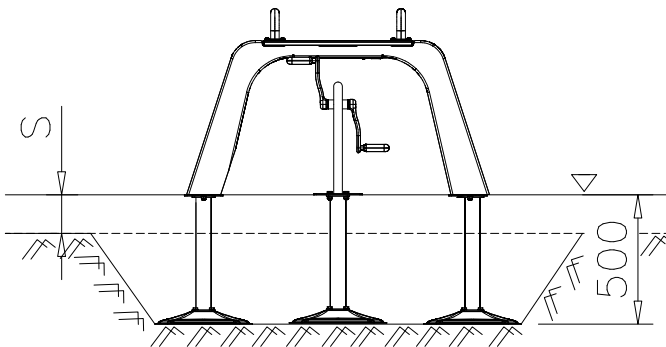
DET 55

STEELNET Ø6 #150  
(1400x2100)  
Concrete  
1500X2200X200 K30

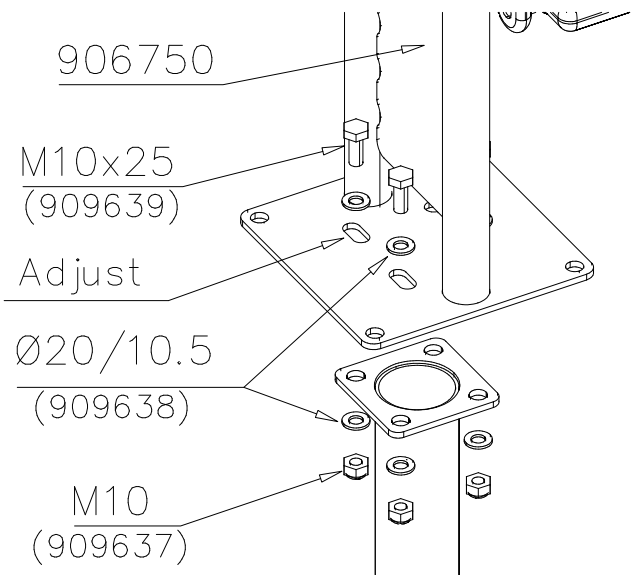


NOTE!  
HOX!

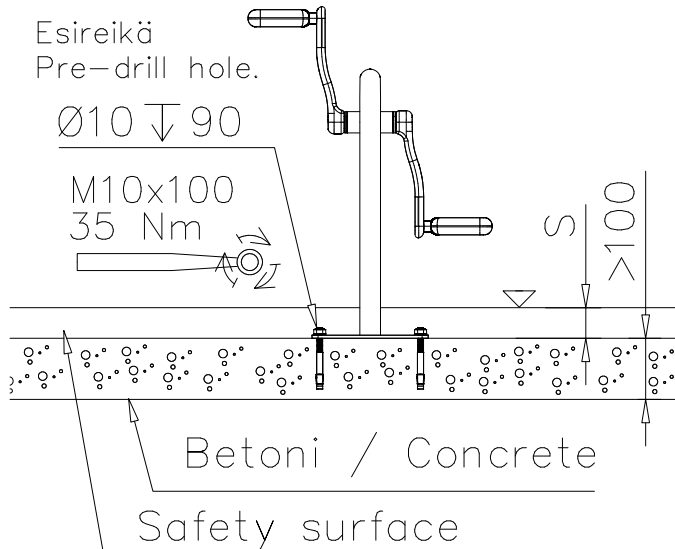
DET 56



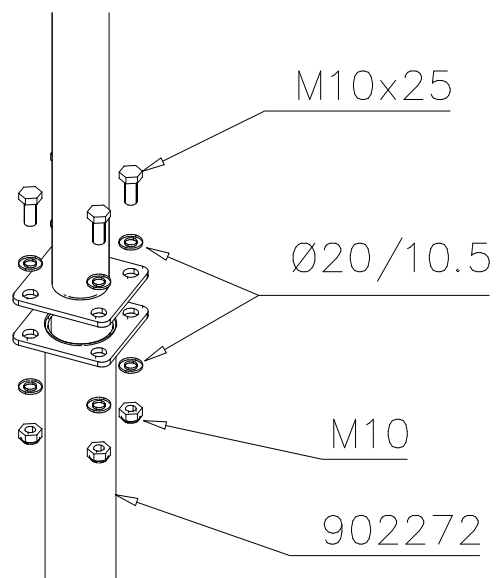
DET 57



DET 58

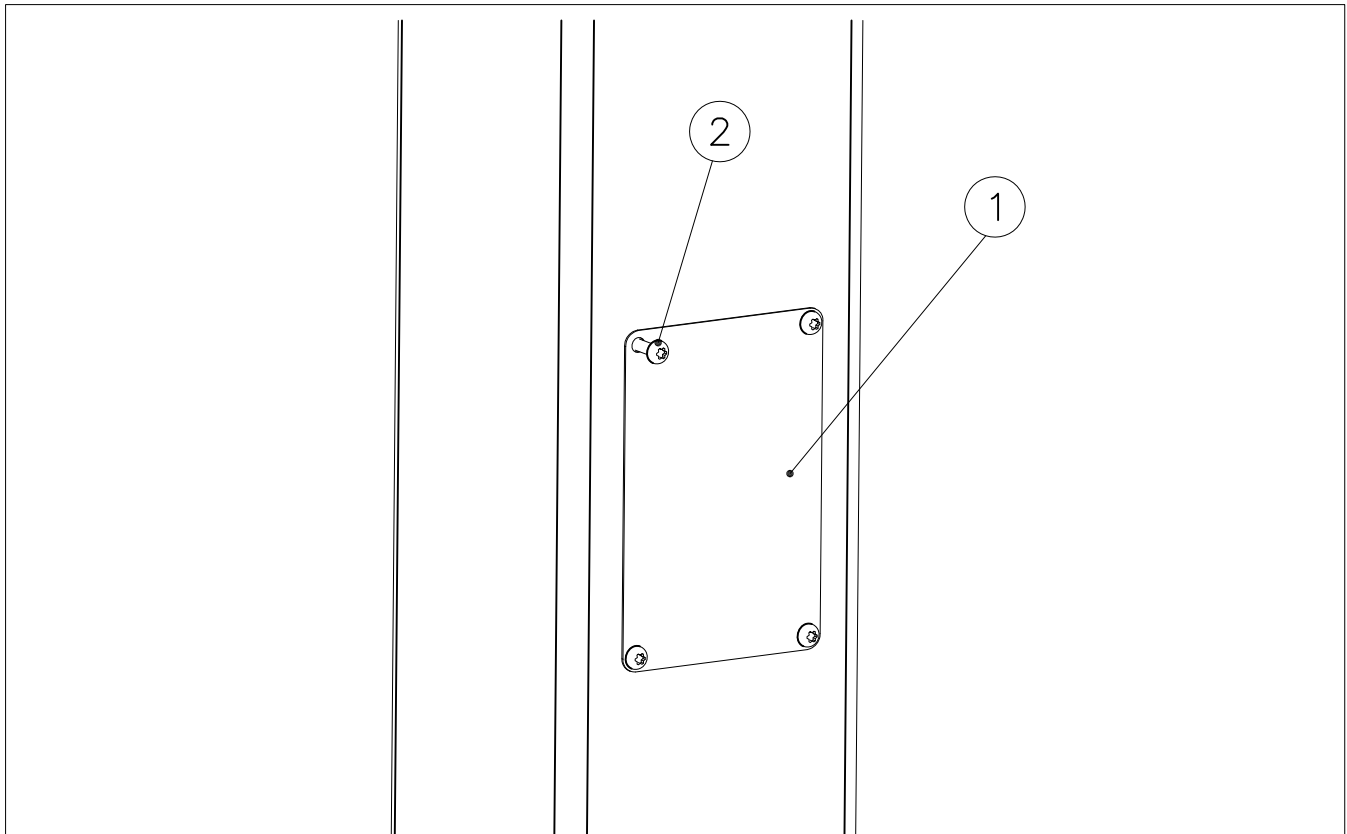


DET 59





① SHEET METAL	PCS	② 980114	PCS
	1		4
118x78x0.7		Ø4x20	



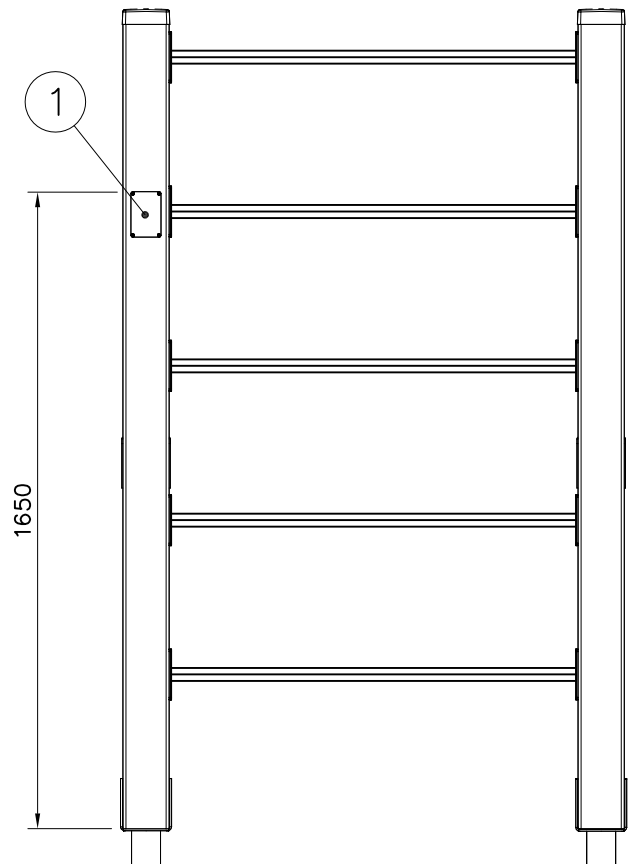
Example installation !  
Esimerkki asennus !

Example installation !  
Esimerkki asennus !

Example installation !  
Esimerkki asennus !



Example installation !  
Esimerkki asennus !



Example installation !  
Esimerkki asennus !