

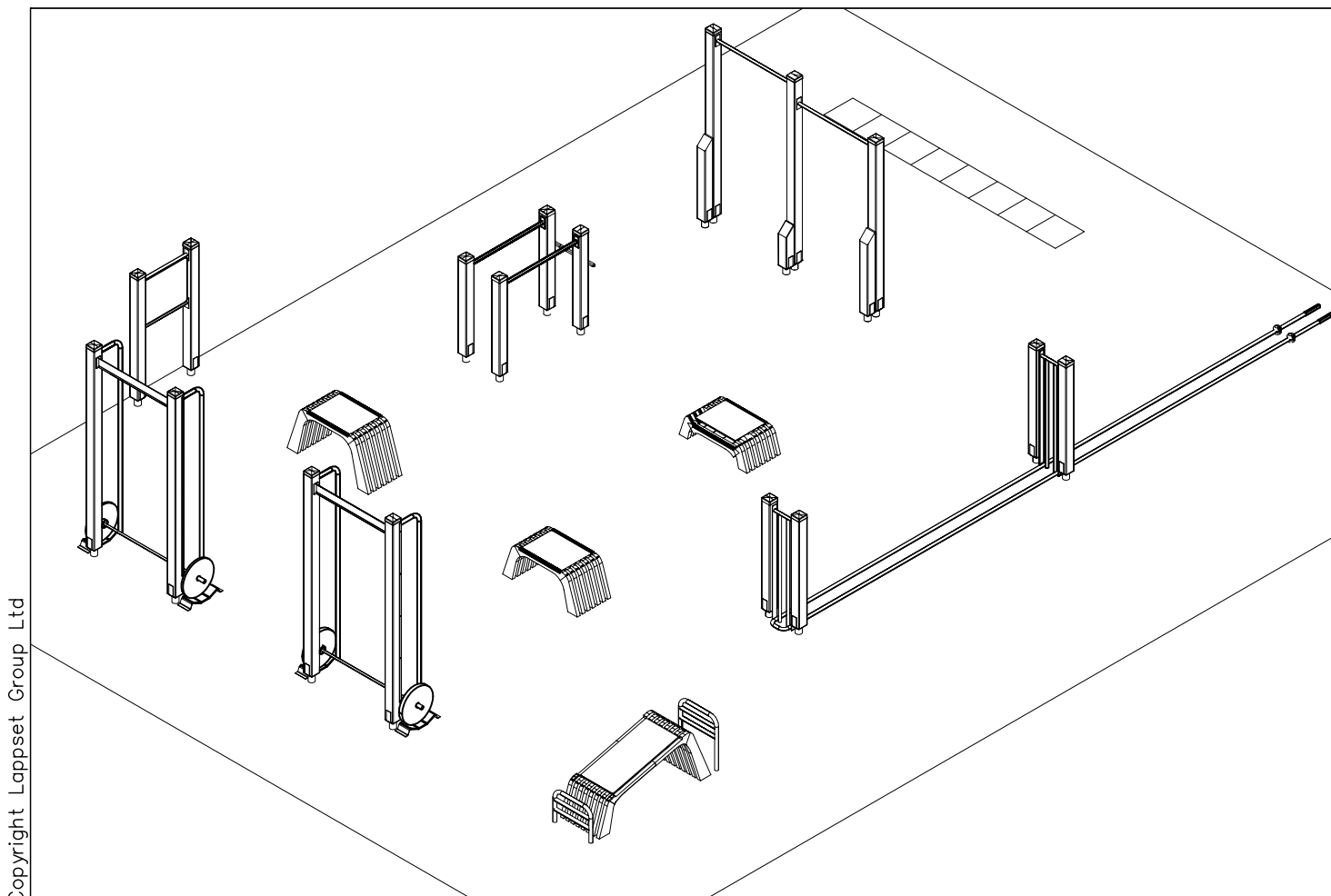
LAPPSET®

SPORT

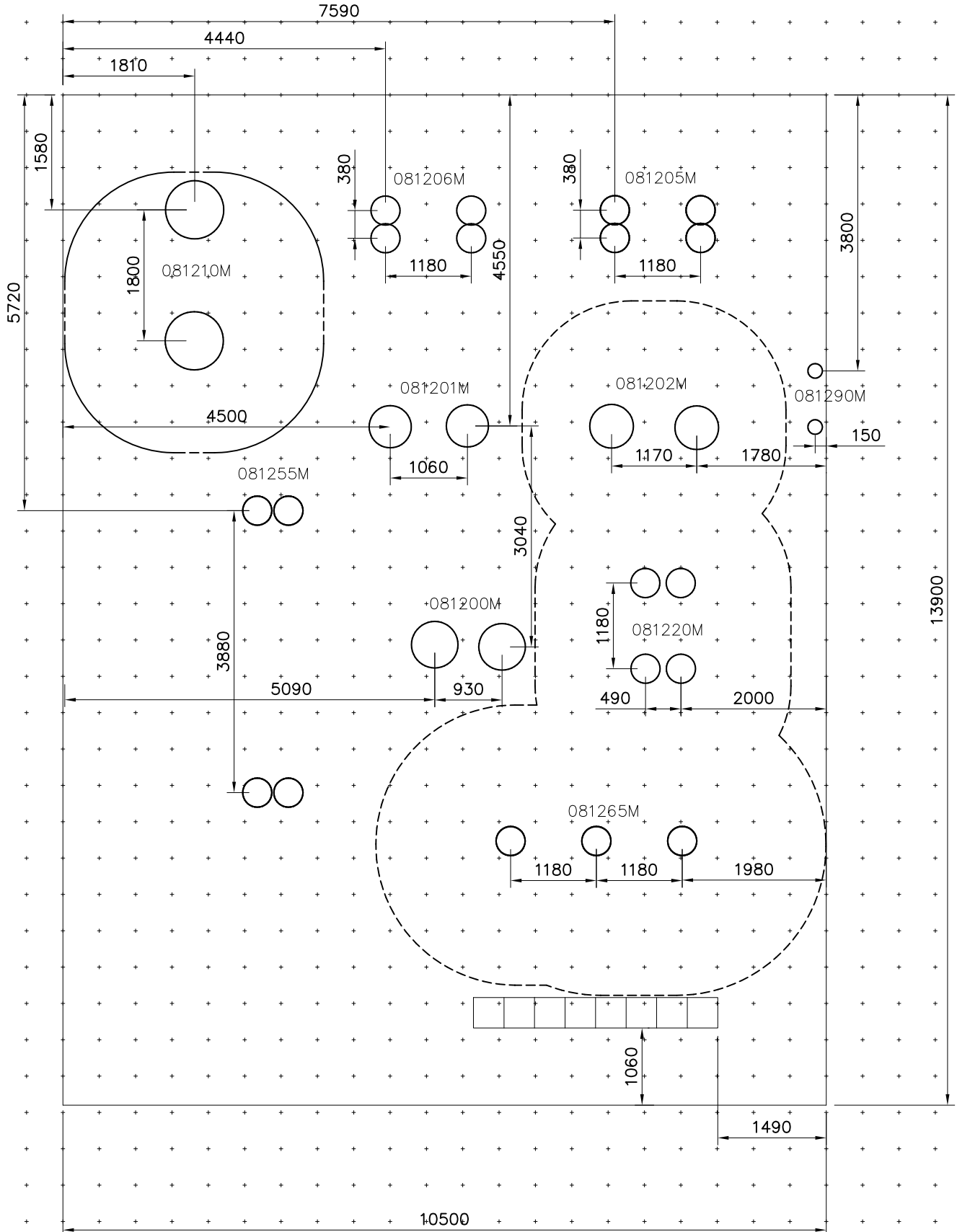
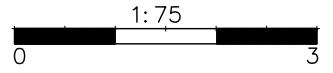
ASENNUSOHJE
MONTERINGSANSVISNING
INSTALLATION INSTRUCTION
AUFBAUANLEITUNG
NOTICE D'INSTALLATION

DATE: 31.8.2015

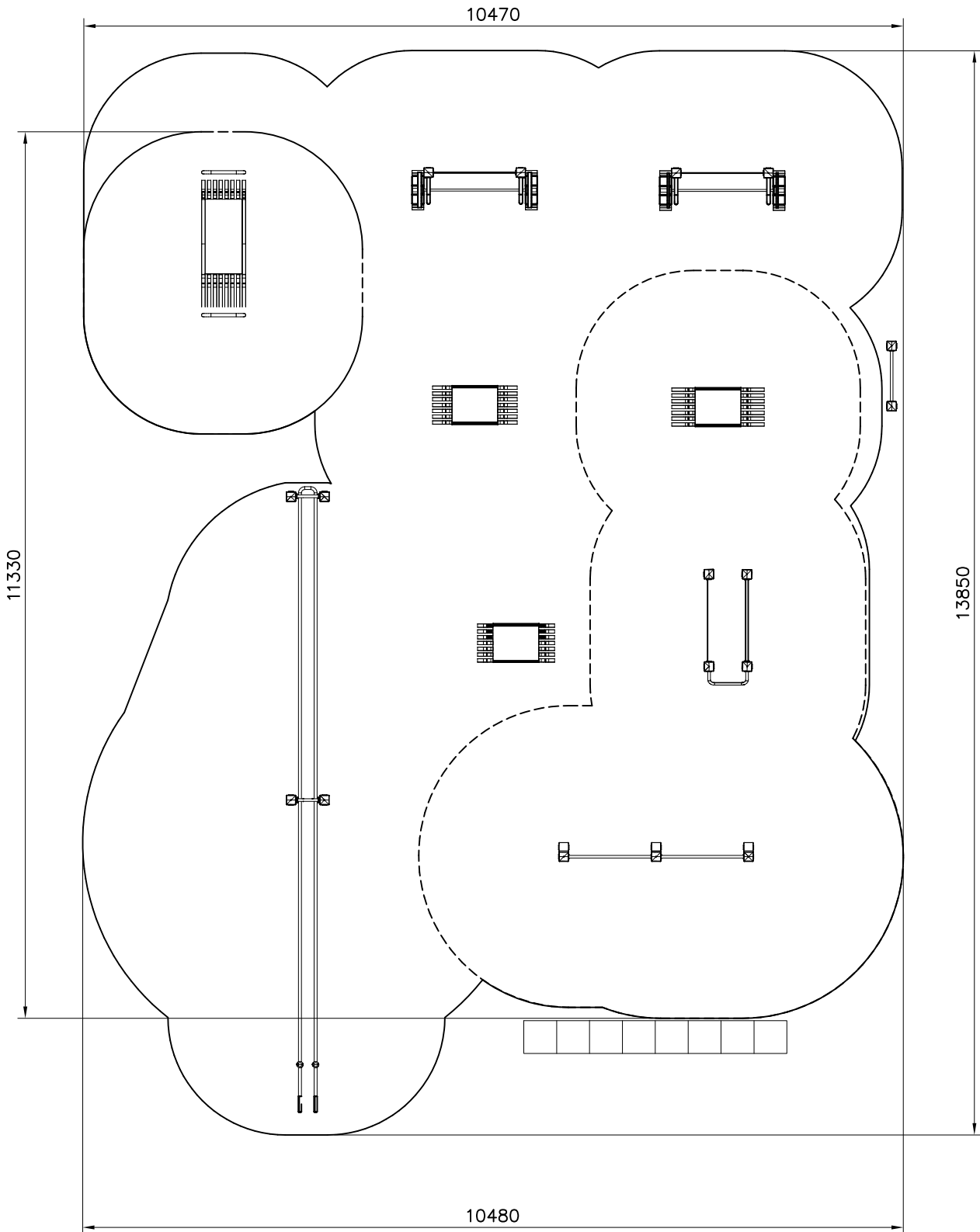
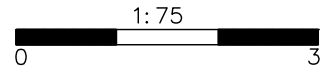
081320M

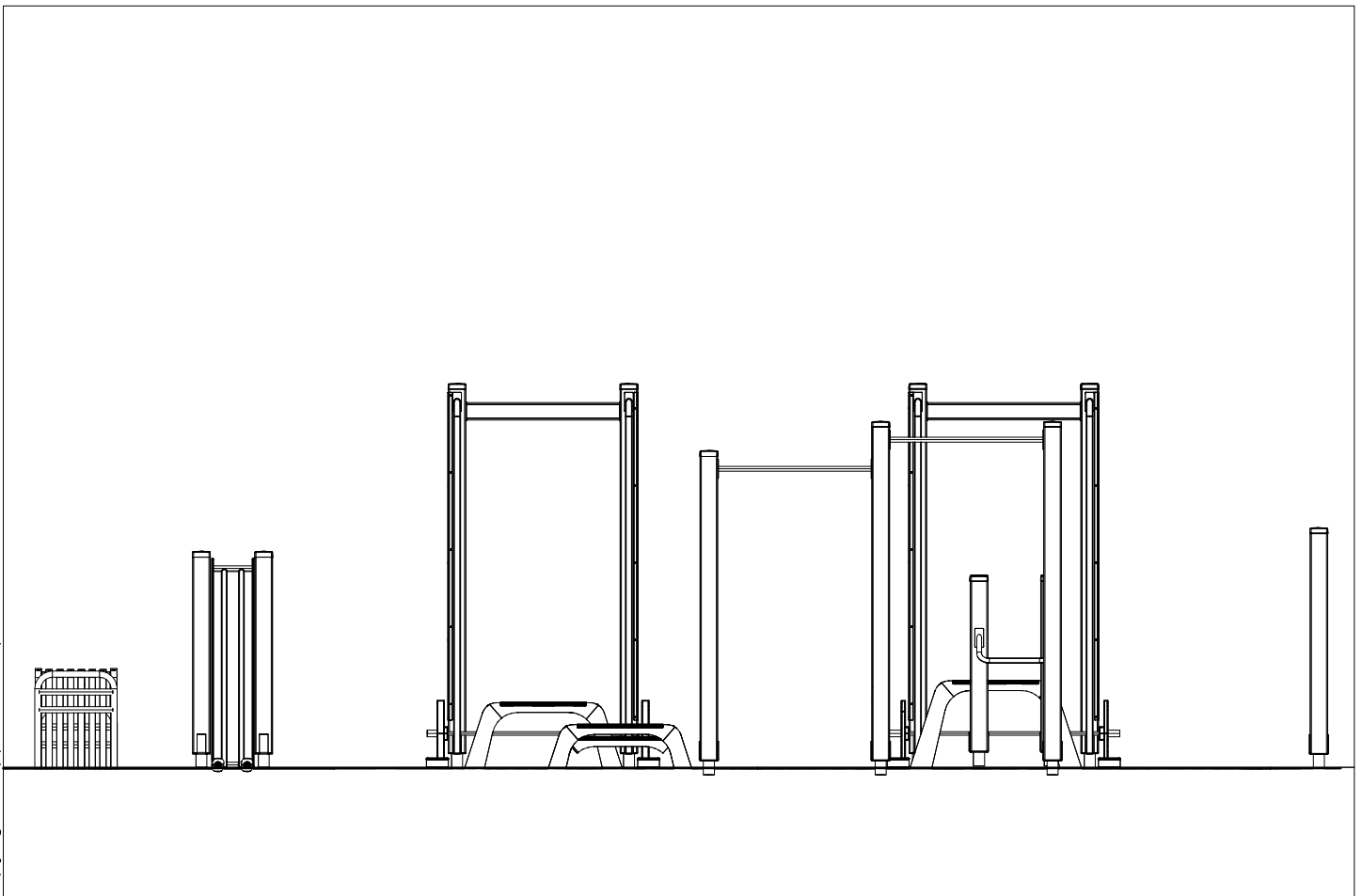
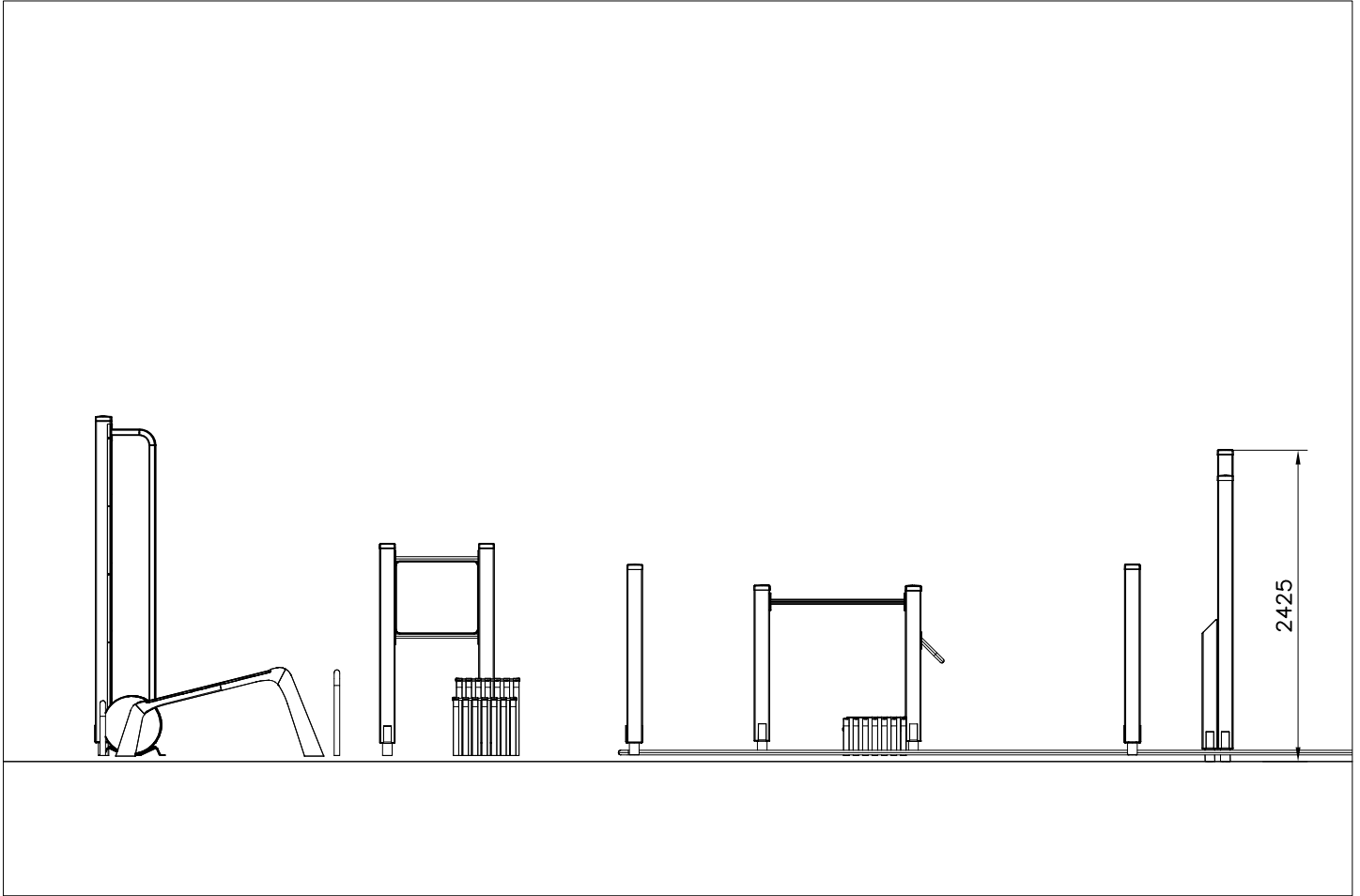


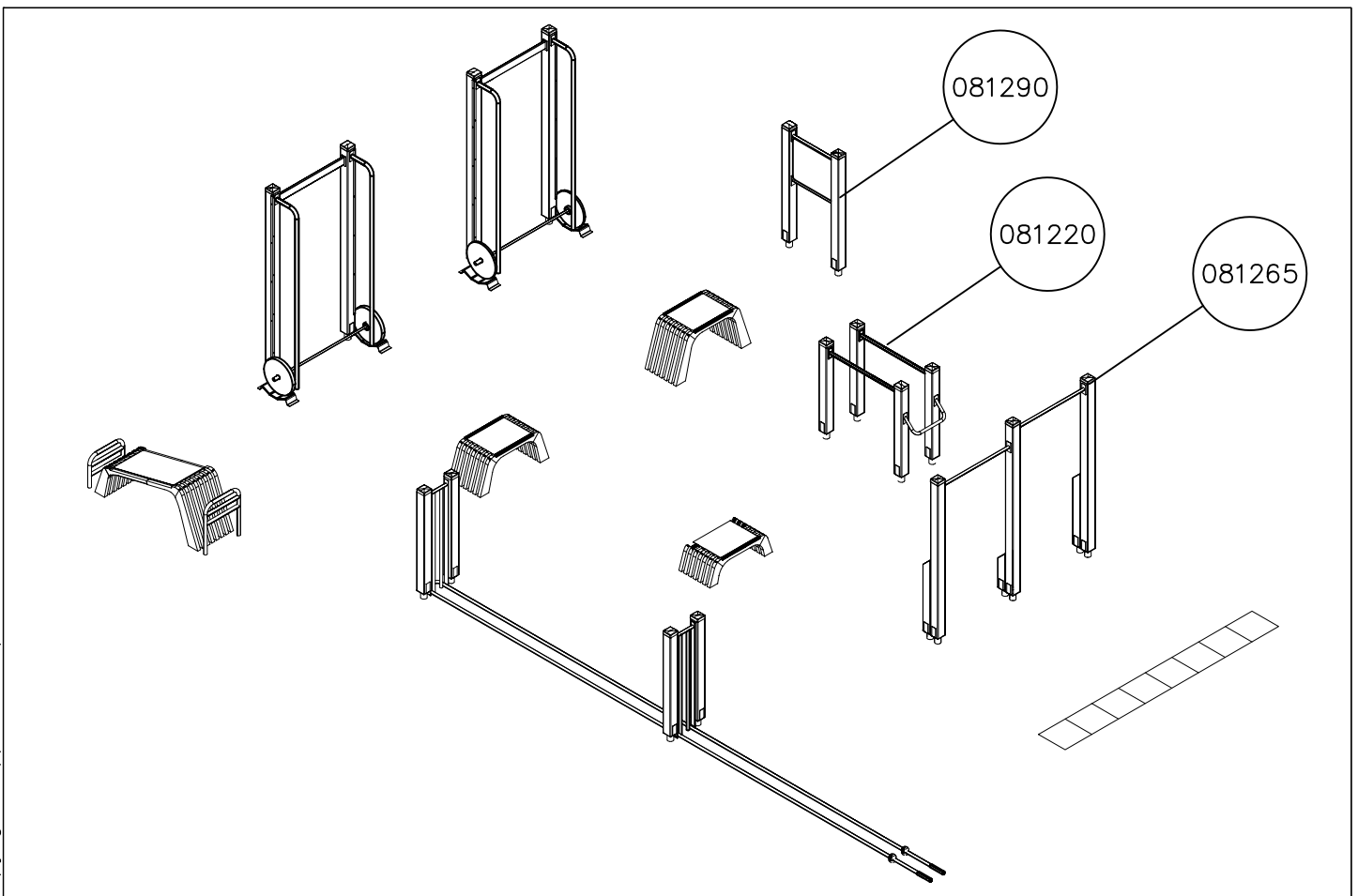
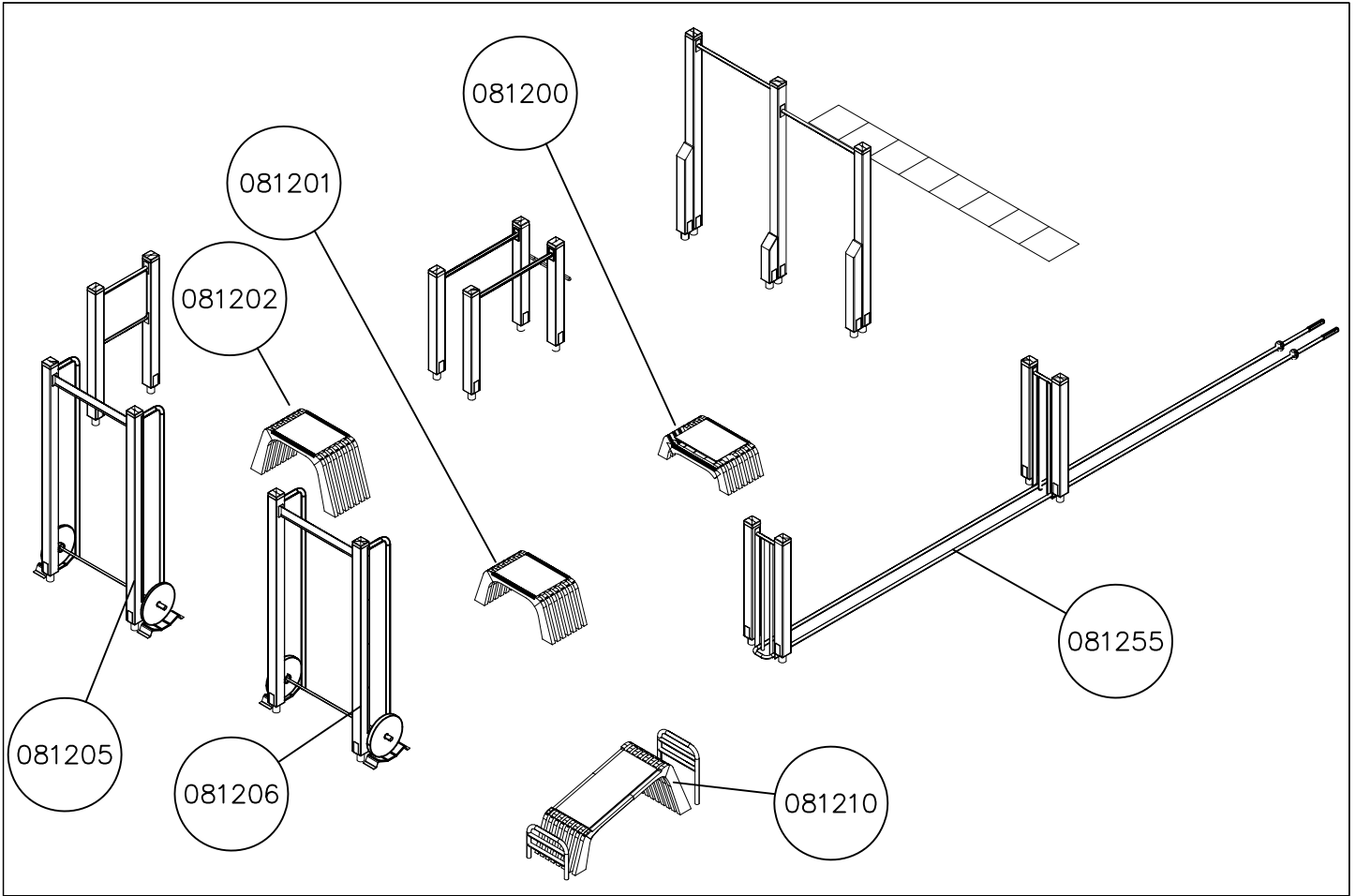
Impact Area 51.6 m²
Grid size = 500 mm

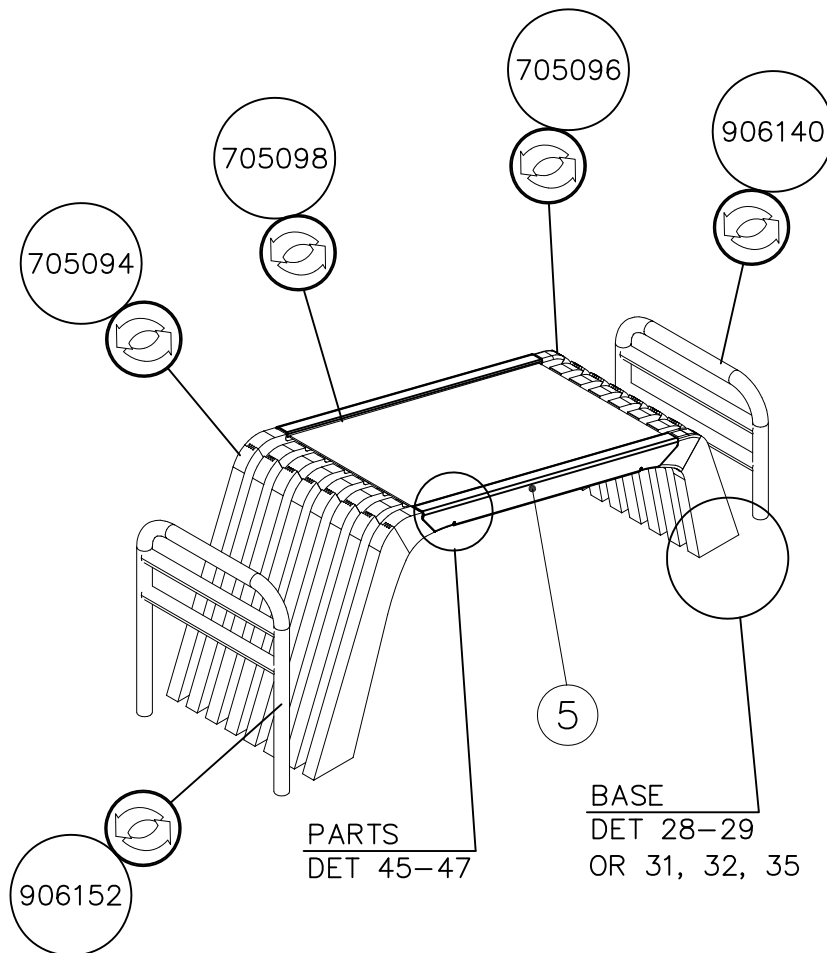


- Area of Movement 121 m²
- Impact Area 51.6 m²
- Max Falling Height = 2320 mm



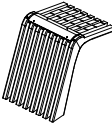
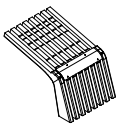
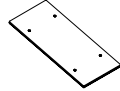
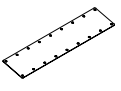
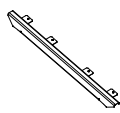
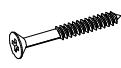


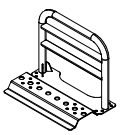
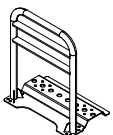
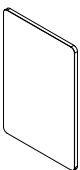



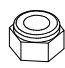
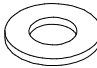
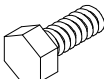
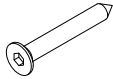


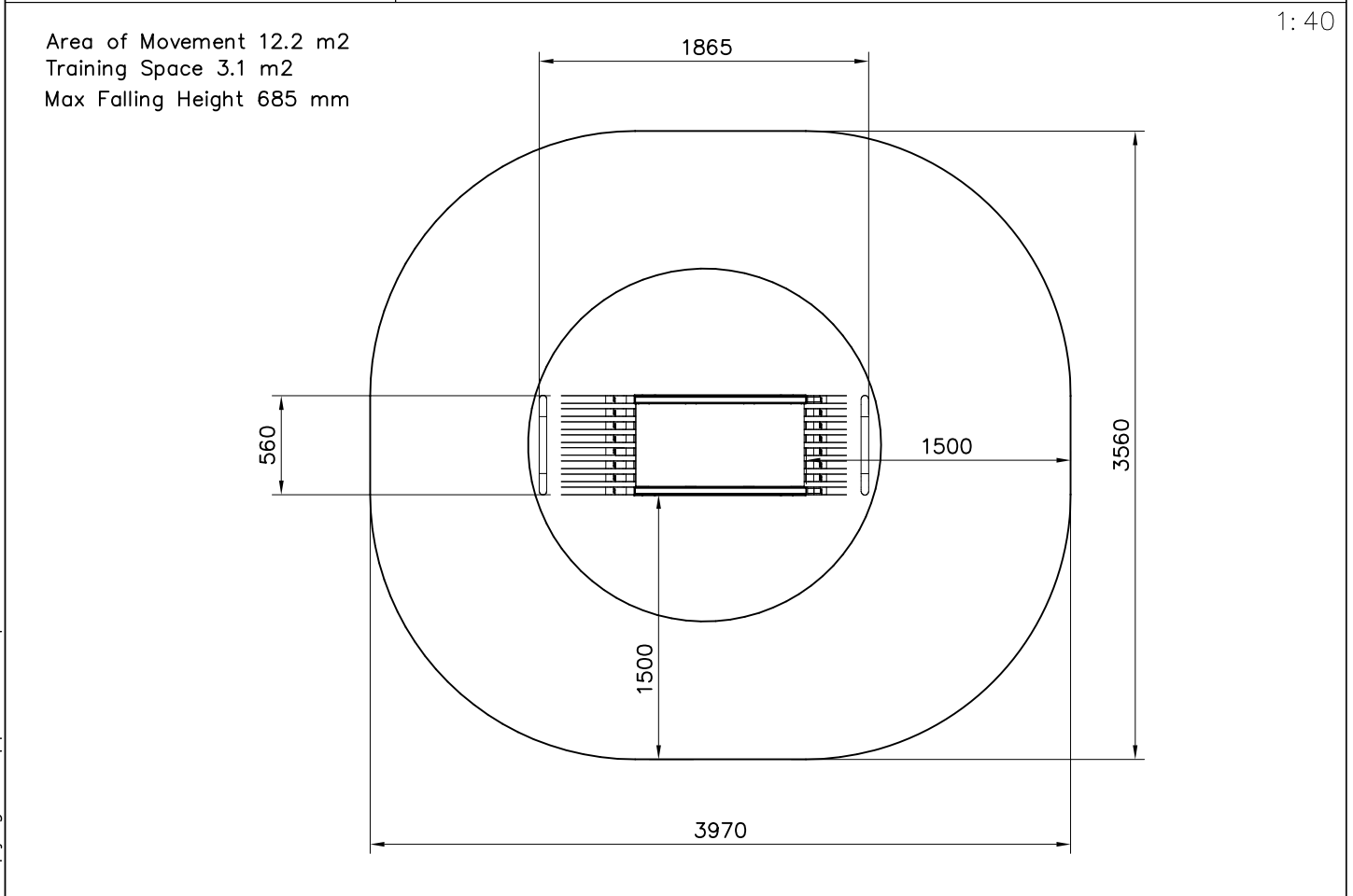
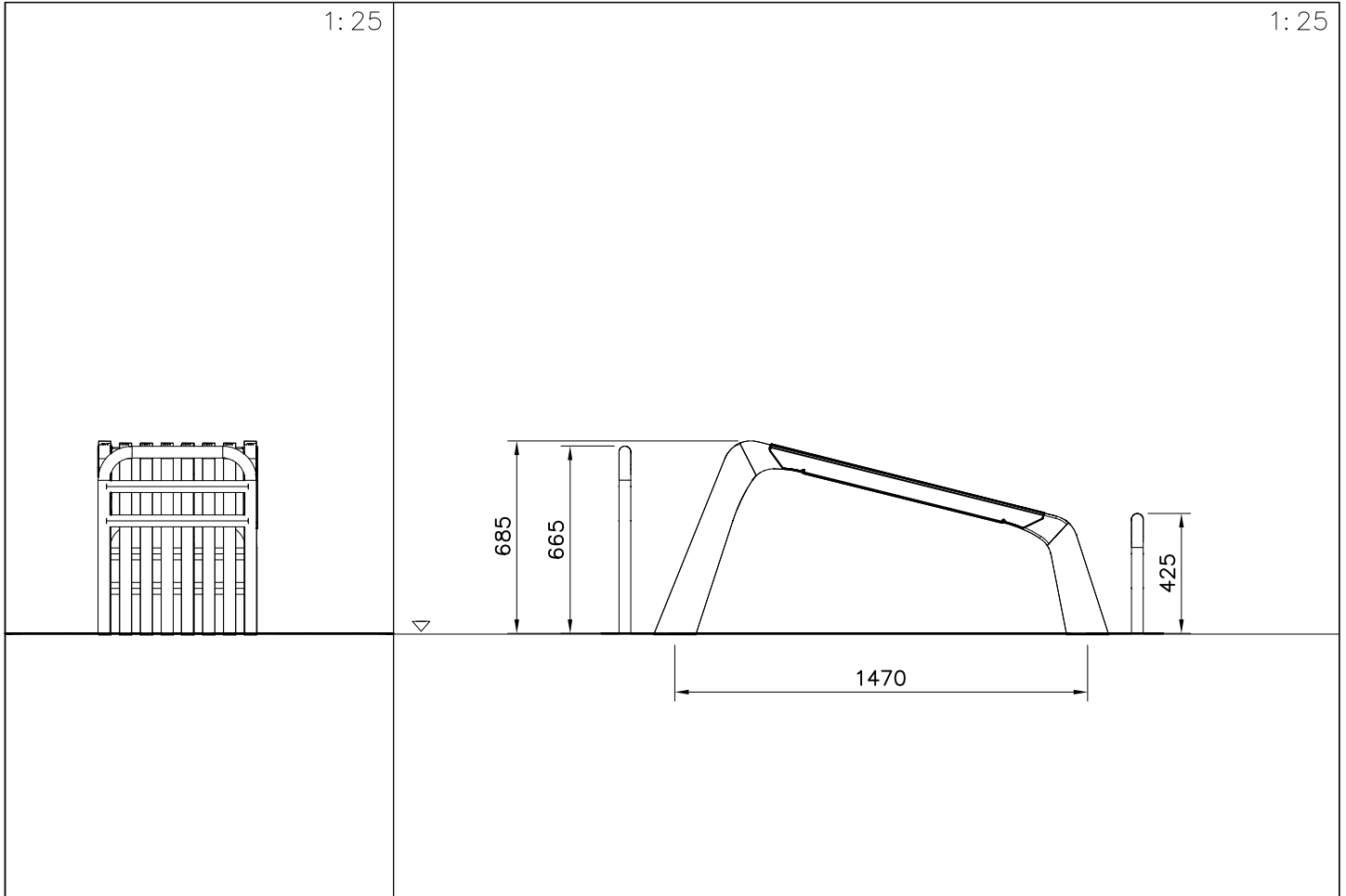


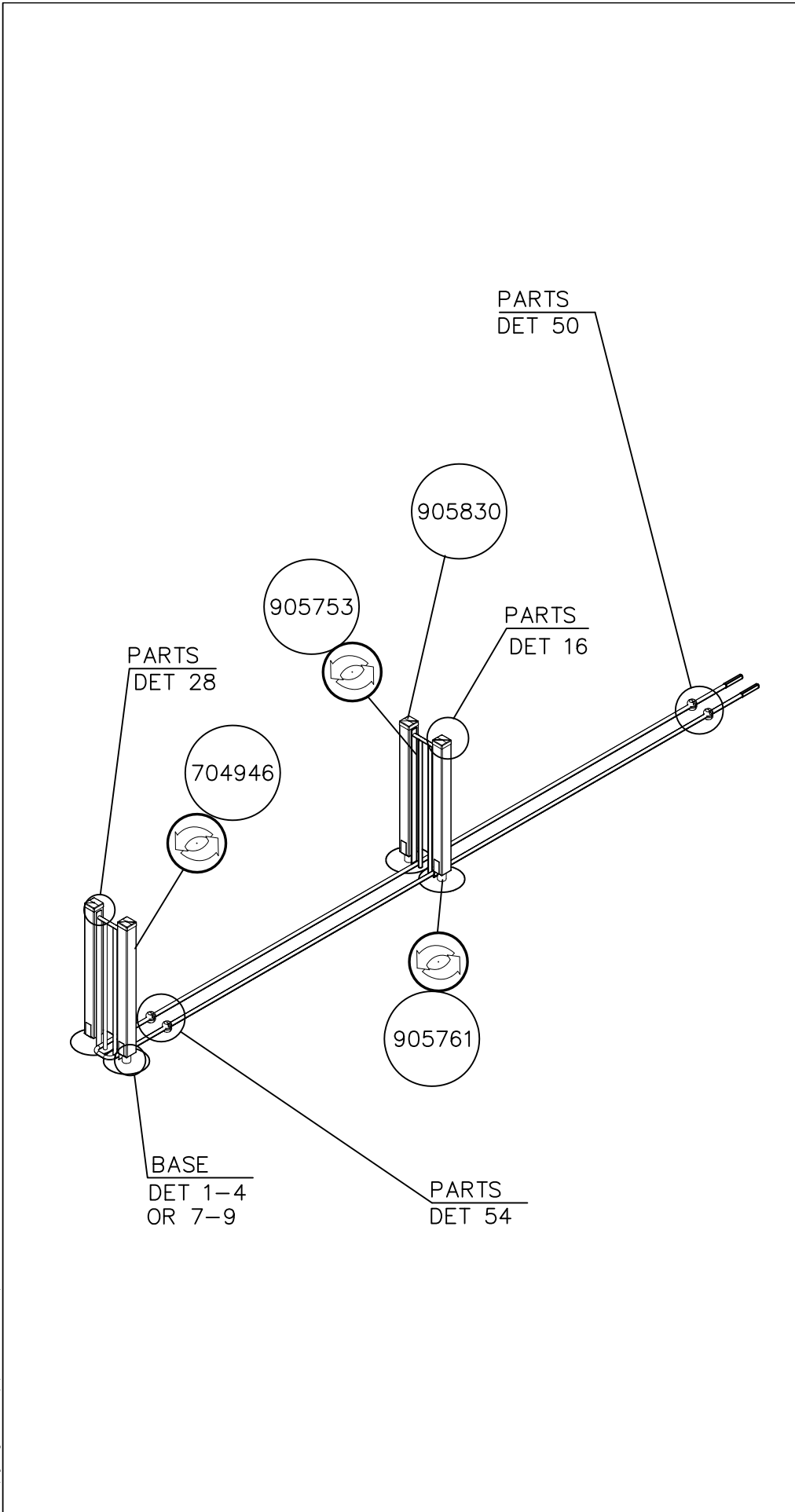


PARTS
DET 45-47

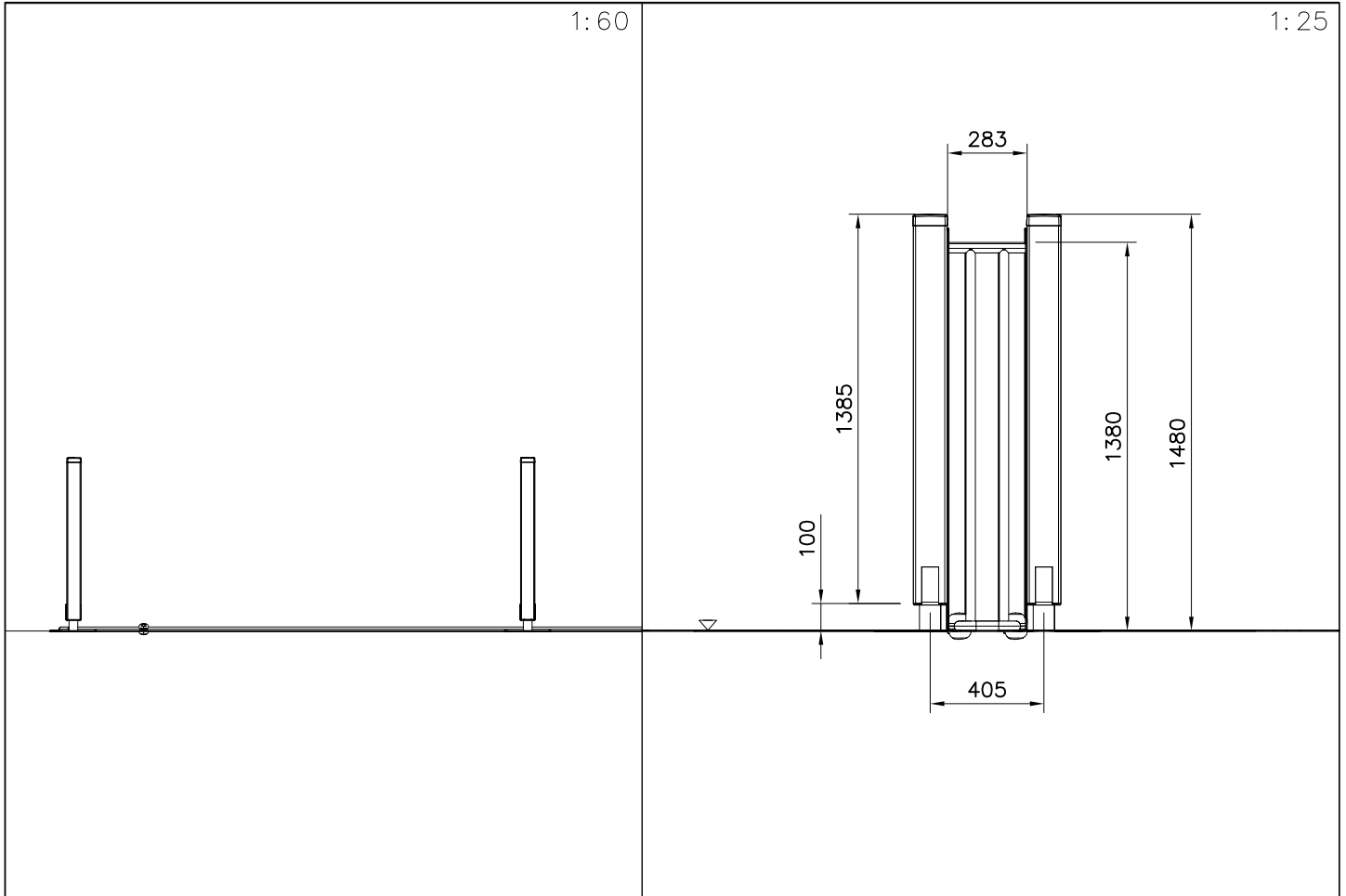
BASE
DET 28-29
OR 31, 32, 35

①	705094	PCS	②	705096	PCS
		1			1
	VATSA 700			VATSA 570	
③	705098	PCS	④	906147	PCS
		1			1
	16x471x1000			2x120x536	
⑤	906148	PCS	⑥	980102	PCS
		2			8
	2x1000			Ø5x40	
⑦	980106	PCS	⑧	980128	PCS
		6			16
	Ø5x40			Ø7x40	
⑨	906140	PCS	⑩	906152	PCS
		1			1
	565x480			565x720	
⑪	706023	PCS	⑫	980114	PCS
		1			4
				Ø4x20	
⑬	902272	PCS	⑭	909519	PCS
		4			4
	90x90x450			50x380x380	
				M10	
⑮	909637	PCS			
		28			
⑯	909638	PCS	⑰	909639	PCS
		56			28
	Ø20/10,5			M10x25	
			⑱	906630	PCS
					6
				8x60	



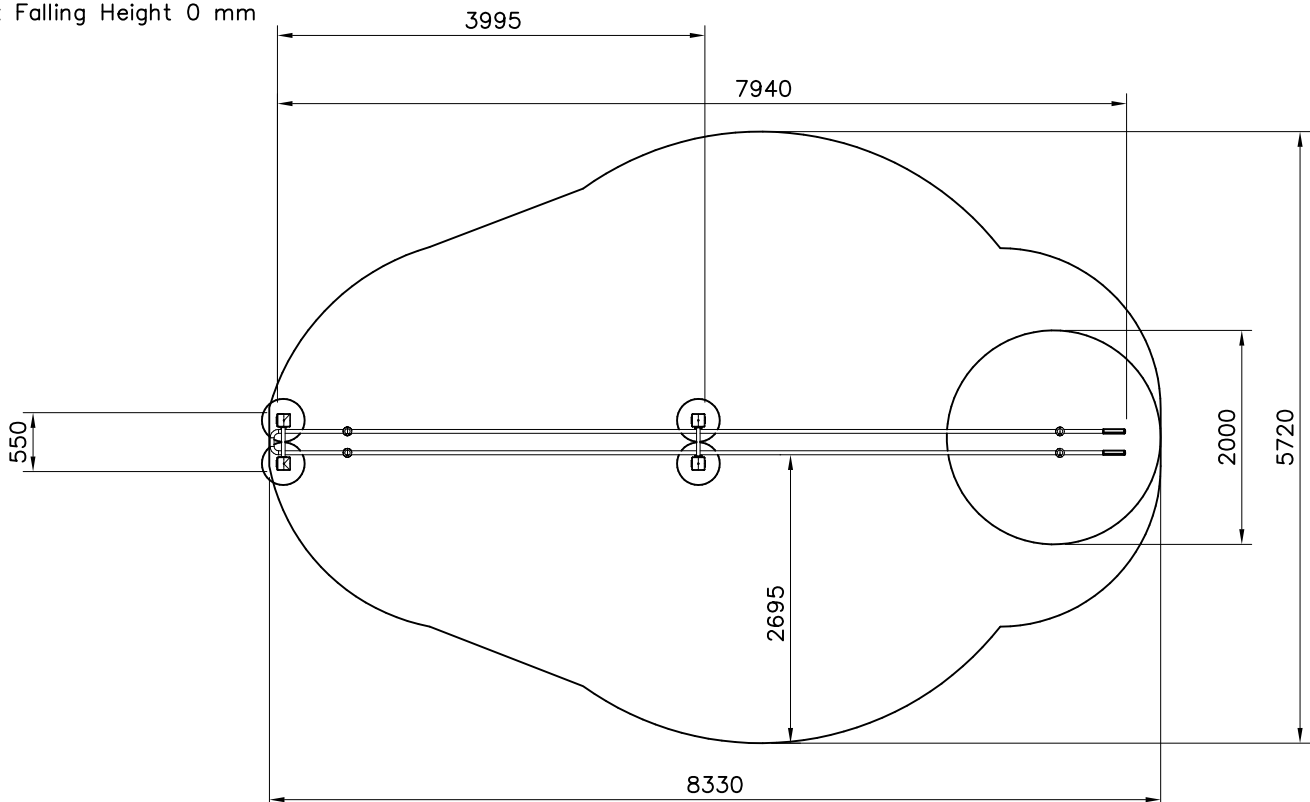


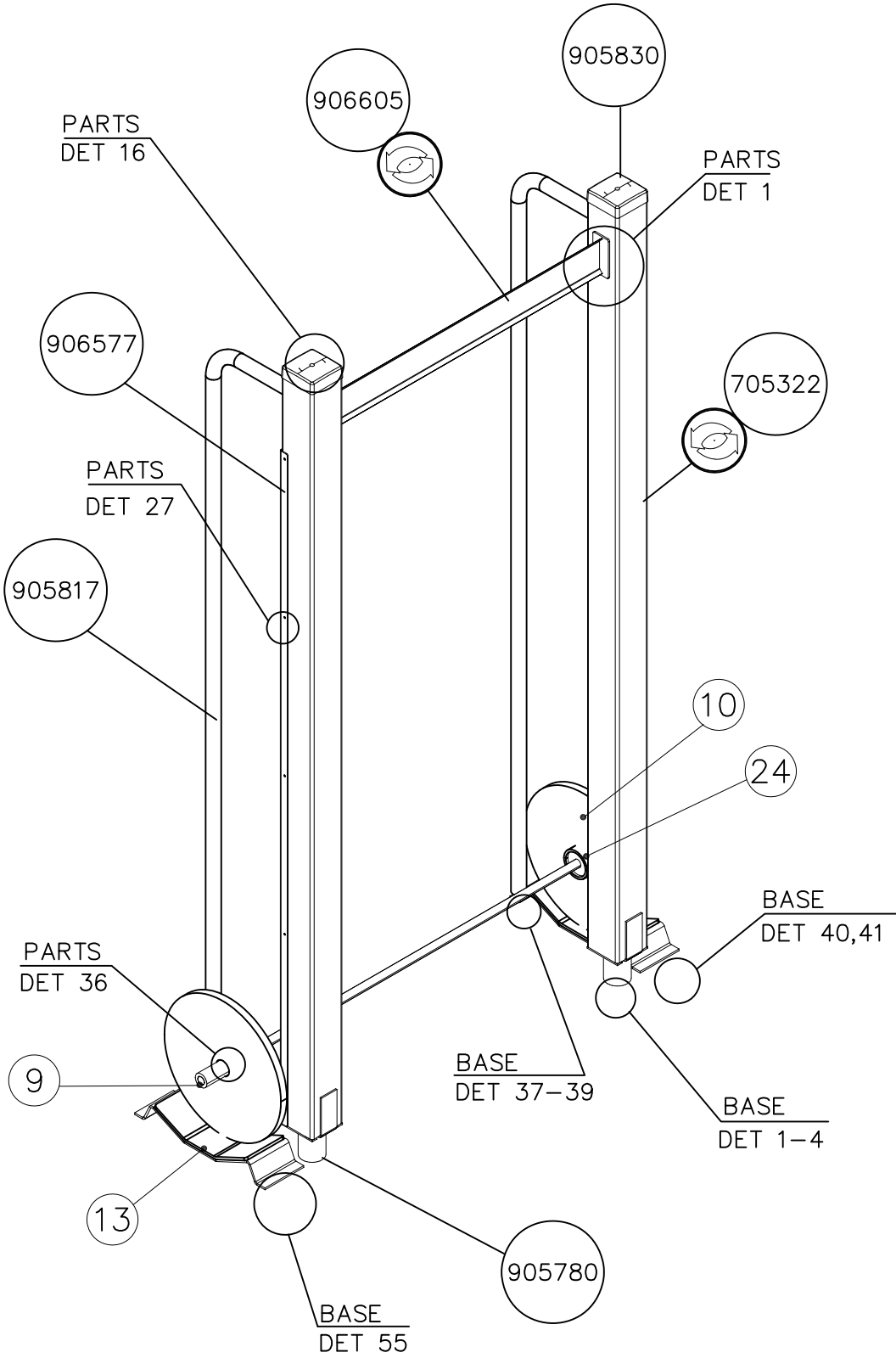
①	706032	PCS	②	705158	PCS
		1			1
				Ø37x16000	
③	704946	PCS	④	980114	PCS
		4			4
	120x120x1350			Ø4x20	
⑤	905761	PCS	⑥	905830	PCS
		4			4
	120x120x700			123x123x40	
⑦	980104	PCS	⑧	980123	PCS
		4			24
	Ø5x90			Ø7x60	
⑨	905753	PCS	⑩	905104	PCS
		2			16
	283x1477			M10	
⑪	980100	PCS	⑫	909256	PCS
		16			24
	Ø5x60			Ø16/8.4	
		PCS			PCS
		PCS			PCS

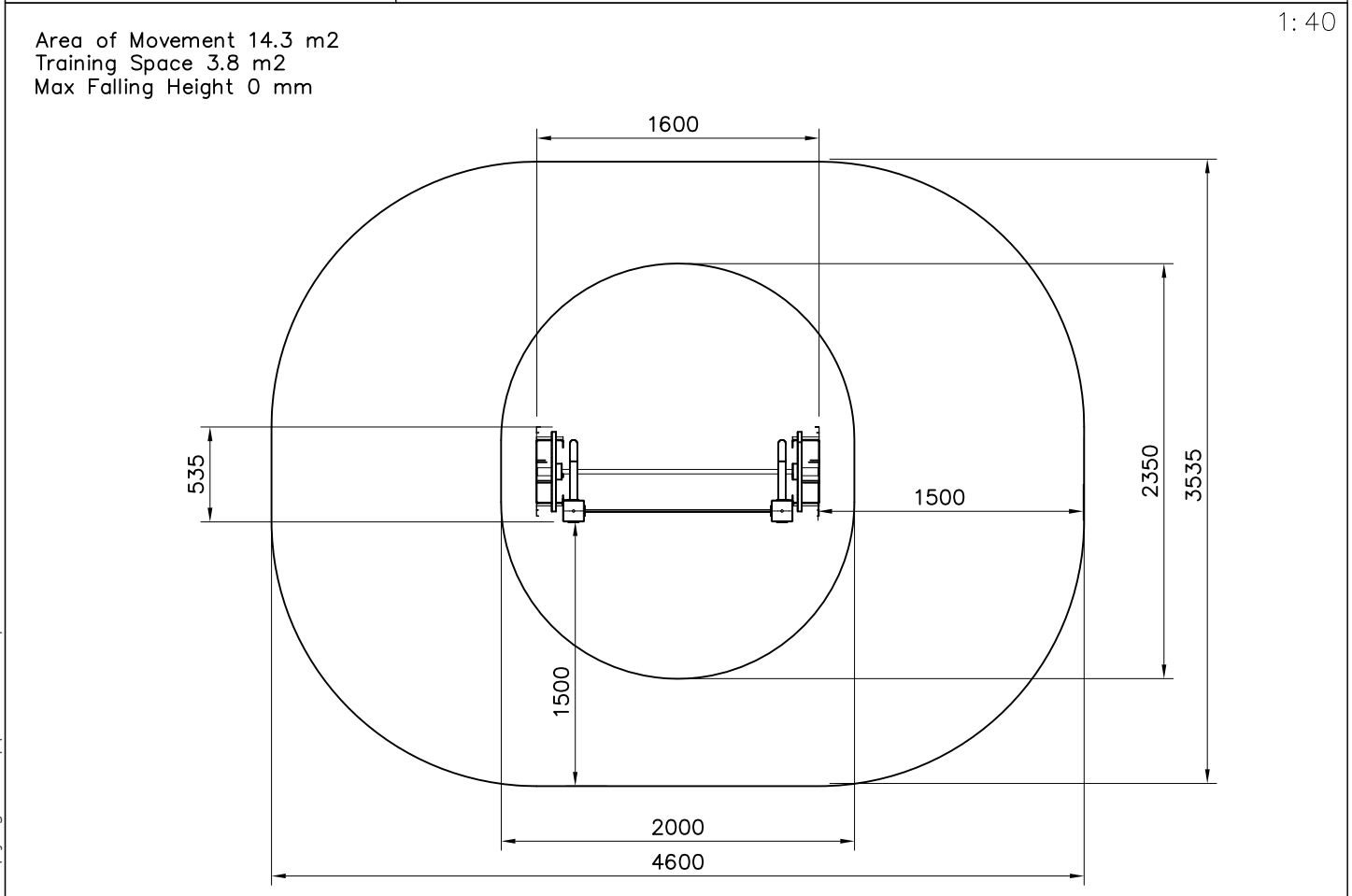
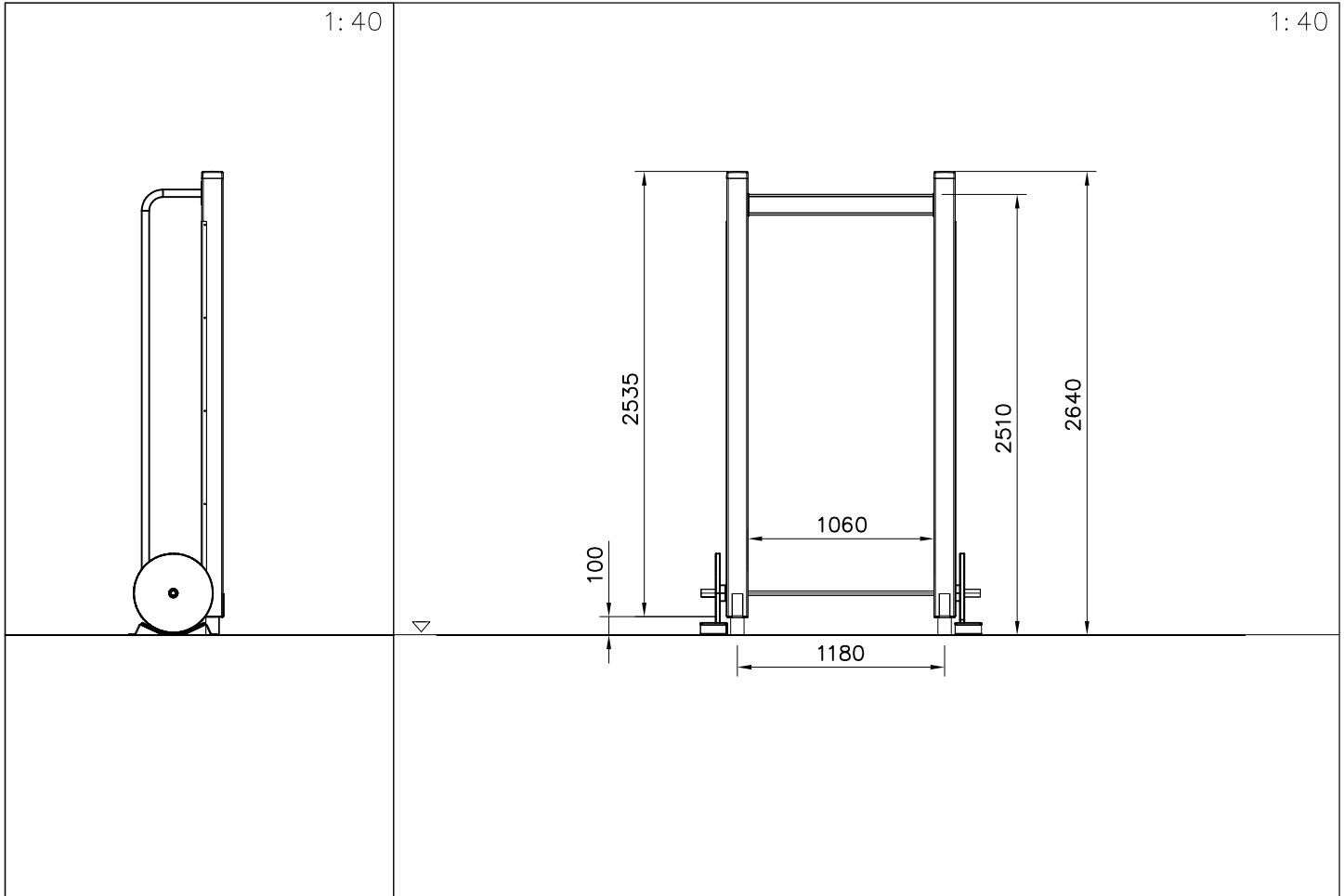


Area of Movement 34.5 m²
Training Space 3.1 m²
Max Falling Height 0 mm


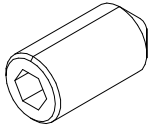

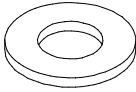


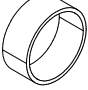
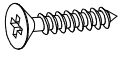
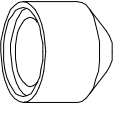
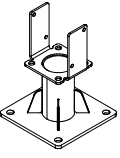
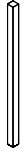

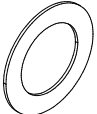
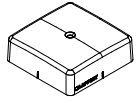

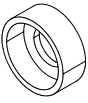

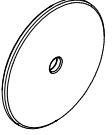
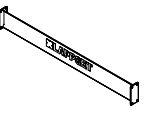

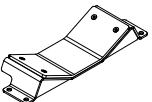


1:71

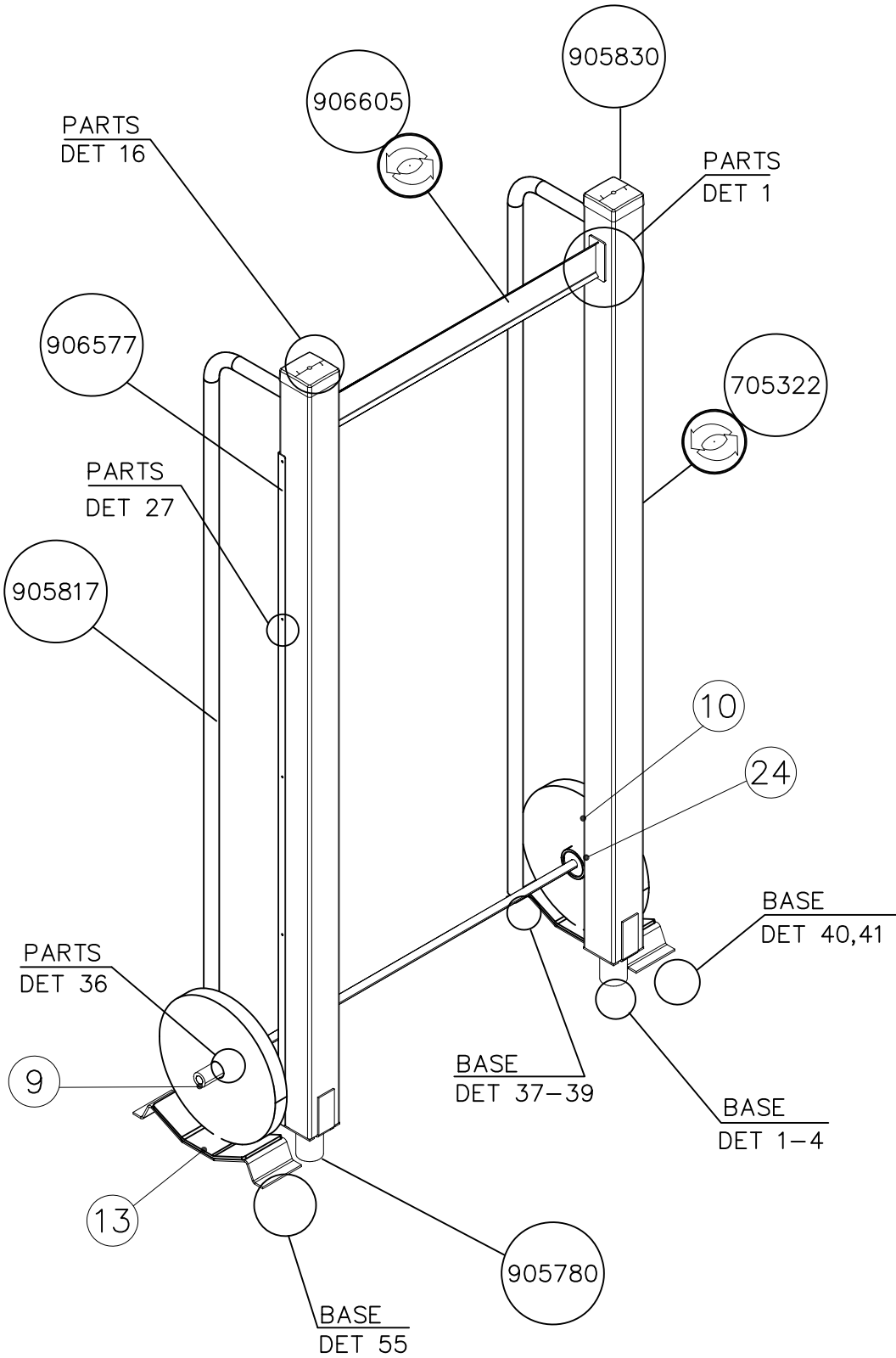


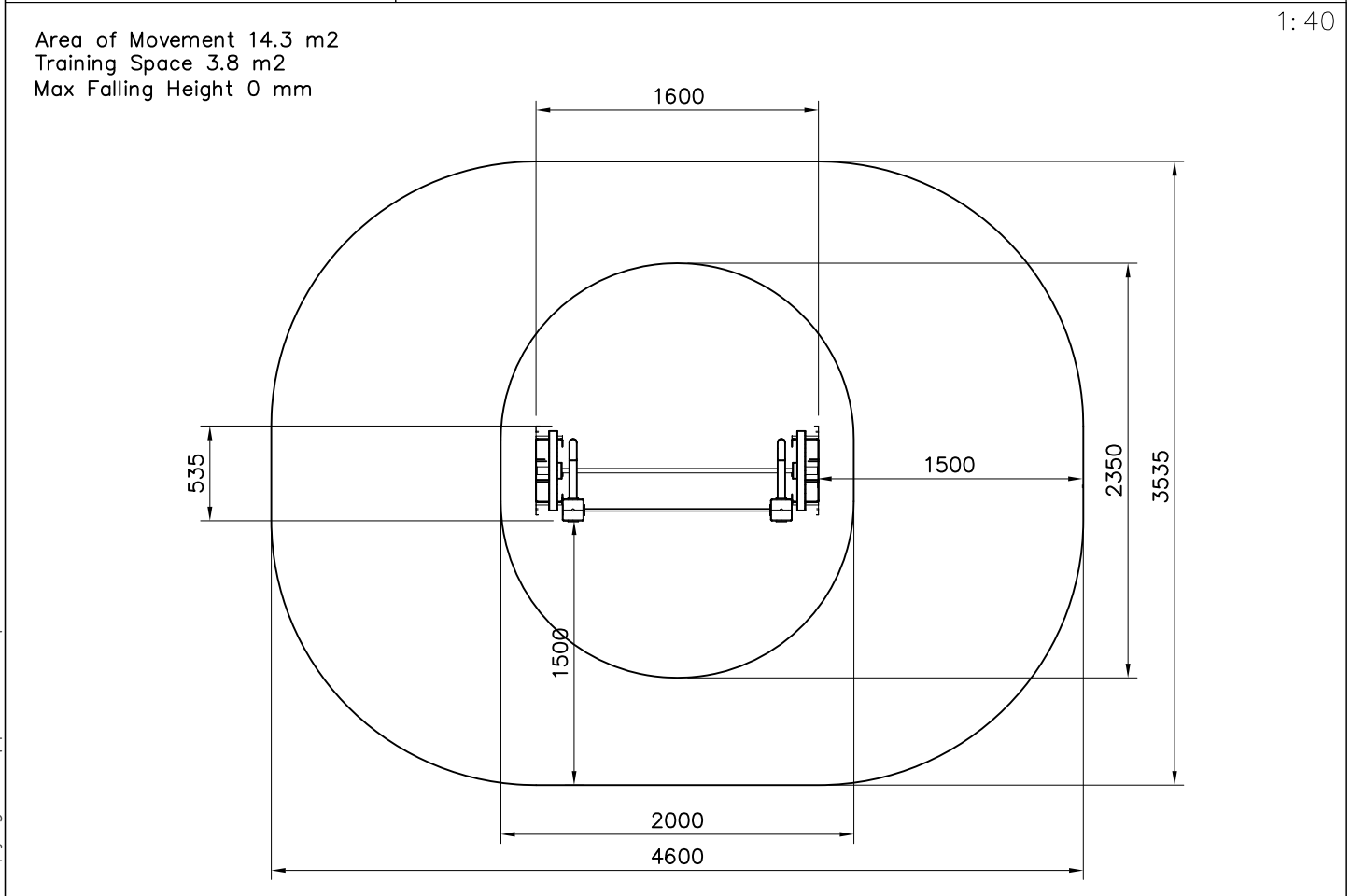
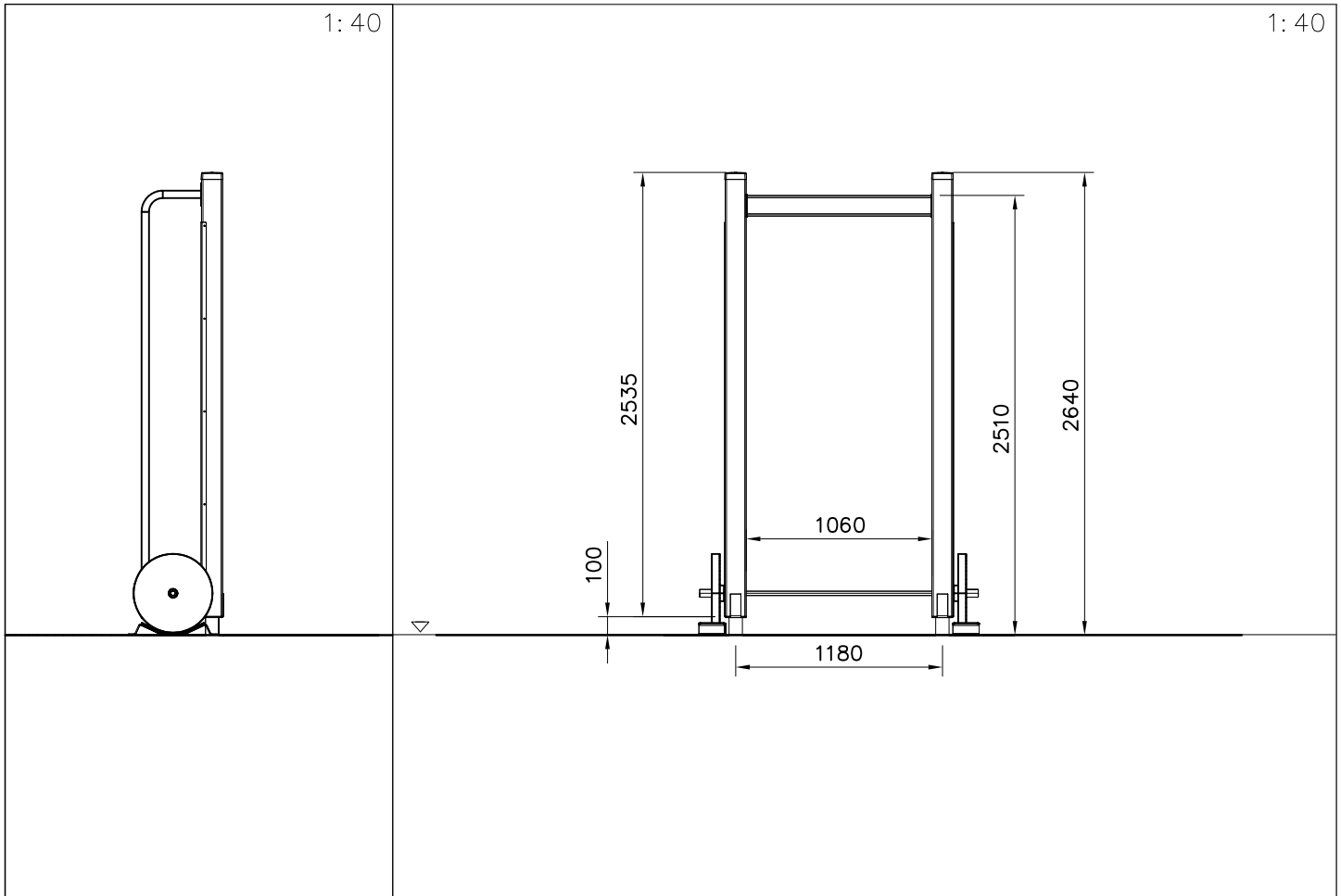






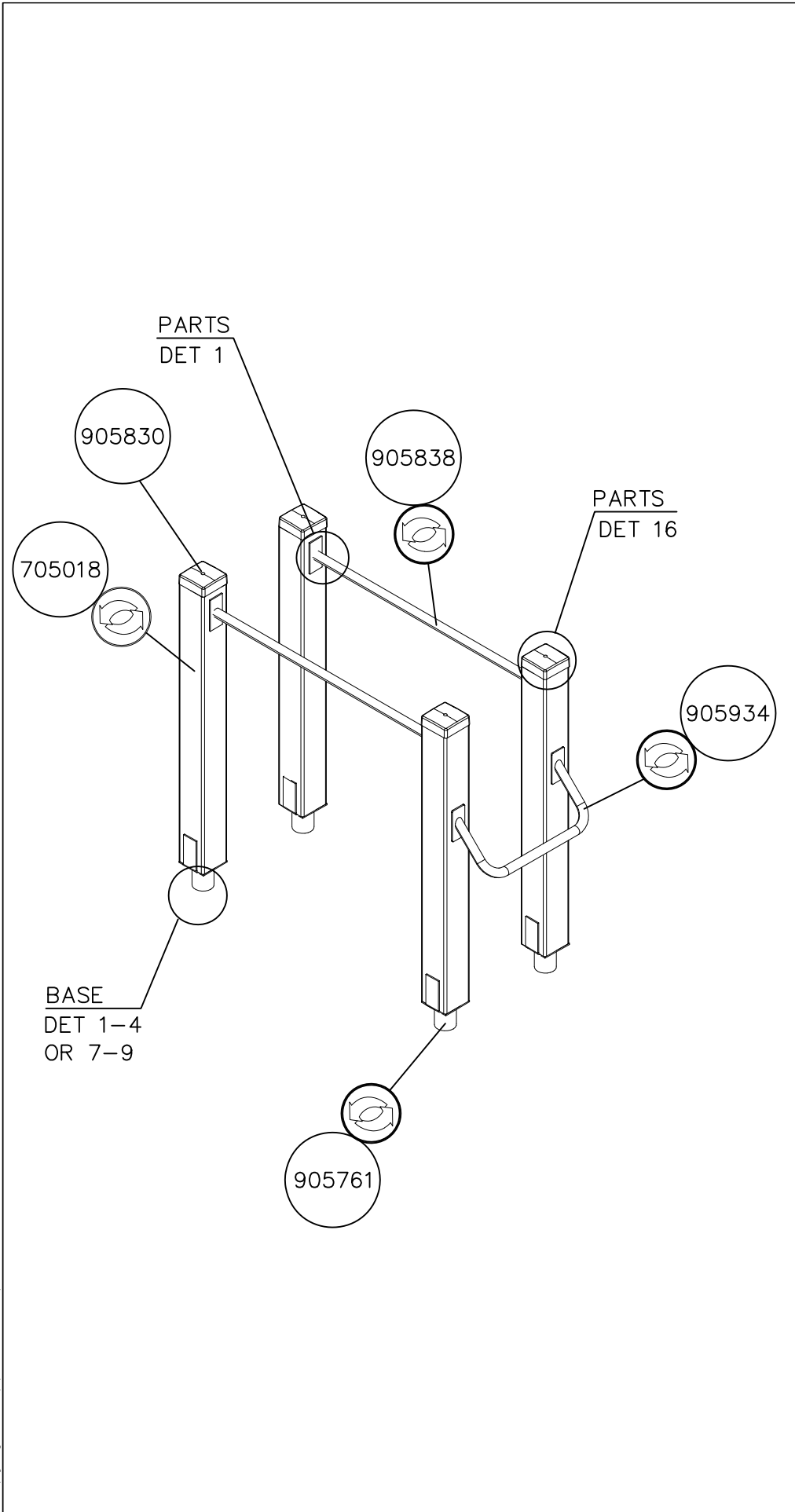
<p>① 706020 PCS 1</p> 	<p>② 909500 PCS 4</p>  M10x20	<p>⑬ 980123 PCS 24</p>  Ø7x60	<p>⑱ 909256 PCS 24</p>  Ø16/8.4
<p>③ 980114 PCS 4</p>  Ø4x20	<p>④ 904450 PCS 8</p>  M16x170	<p>⑲ 906642 PCS 2</p>  Ø50/45x20	<p>⑳ 980129 PCS 20</p>  Ø5x35
<p>⑤ 905104 PCS 8</p>  M10	<p>⑥ 905780 PCS 2</p>  120x120x150	<p>㉑ 705322 PCS 2</p>  120x120x2500	<p>㉒ 905817 PCS 2</p>  2626x386x60
<p>⑦ 906770 PCS 4</p>  Ø74/48x2	<p>⑧ 905830 PCS 2</p>  123x123x40	<p>㉓ 906577 PCS 2</p>  30x30x3x2250	<p>㉔ 907560 PCS 2</p>  Ø90/46-33
<p>⑨ 906637 PCS 1</p>  L=1590	<p>⑩ 906601 PCS 2</p>  Ø450 5kg		
<p>⑪ 906605 PCS 1</p>  L=1060	<p>⑫ 908976 PCS 2</p>  Ø98/45x44		
<p>⑬ 705542 PCS 2</p> 	<p>⑭ 980104 PCS 2</p>  Ø5x90		
<p>⑮ 909628 PCS 16</p>  M10x100			

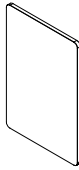




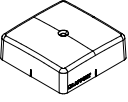
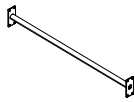
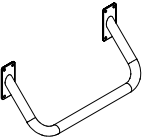

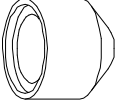



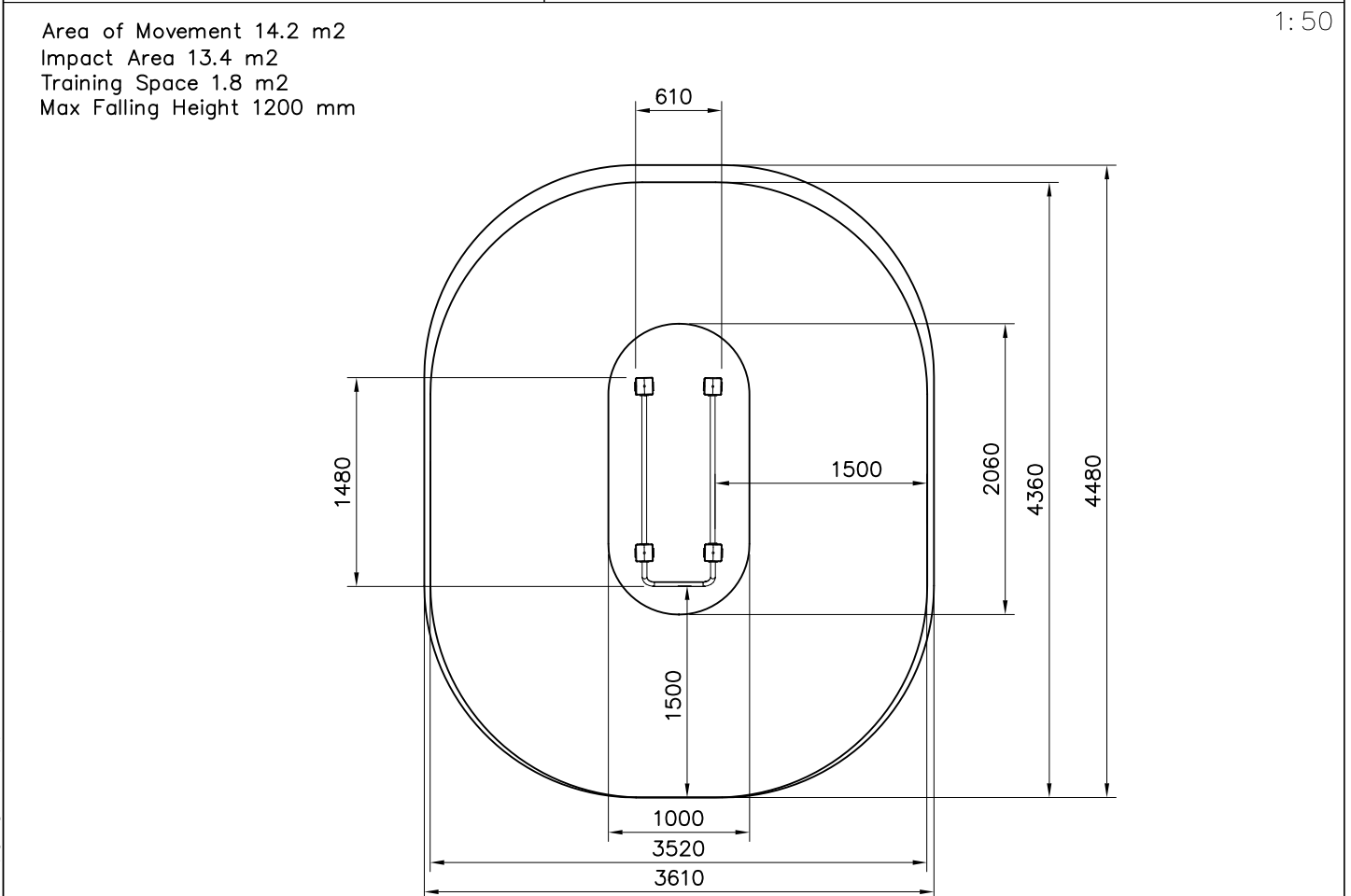
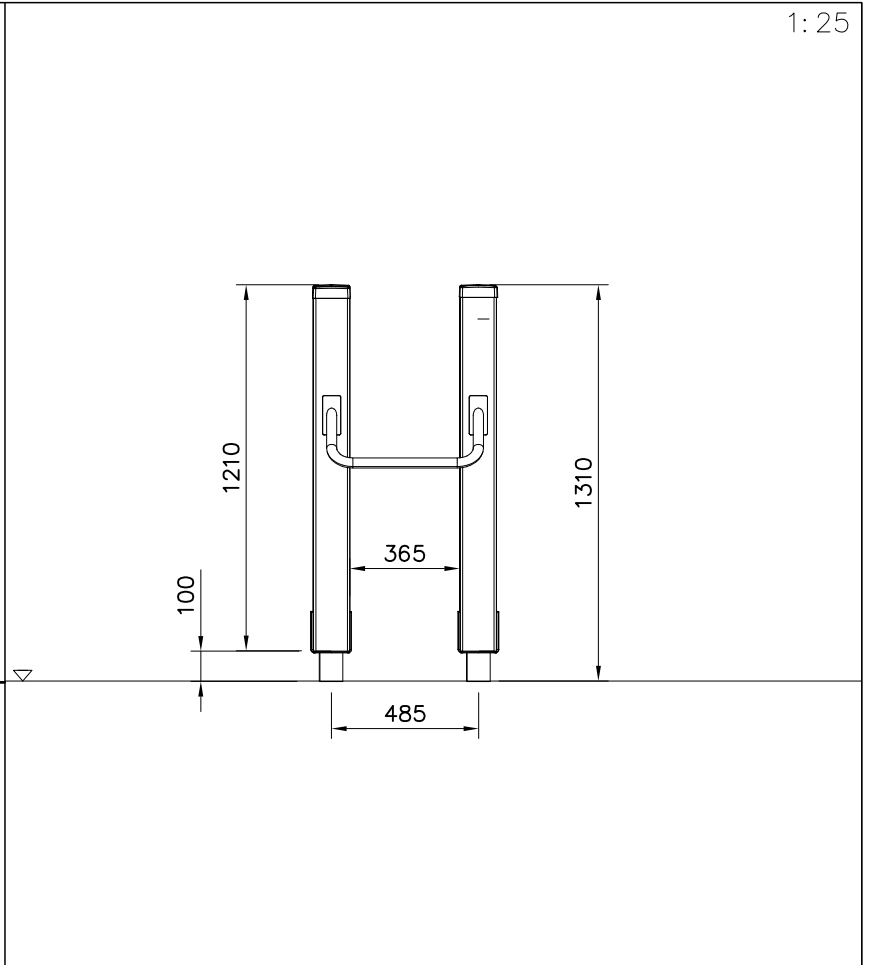
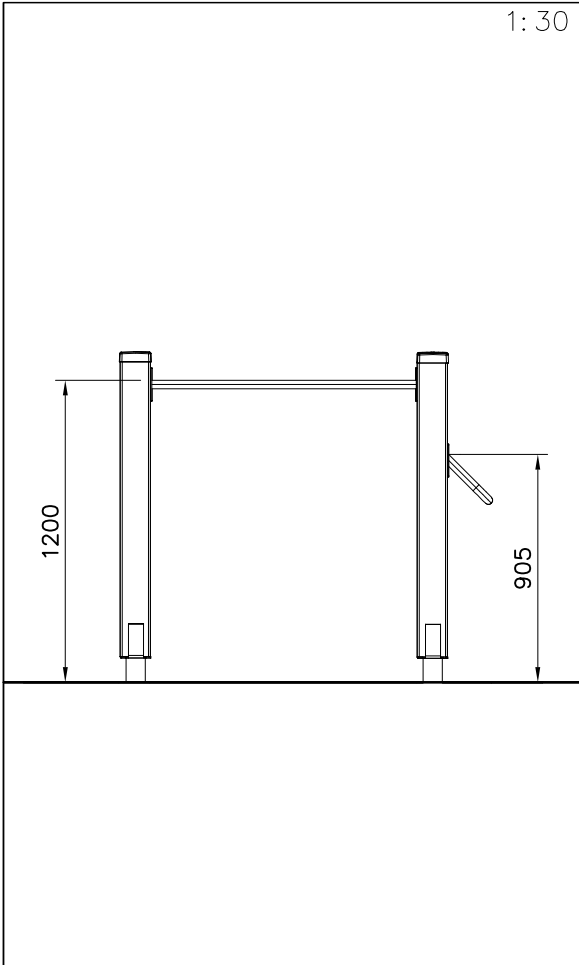


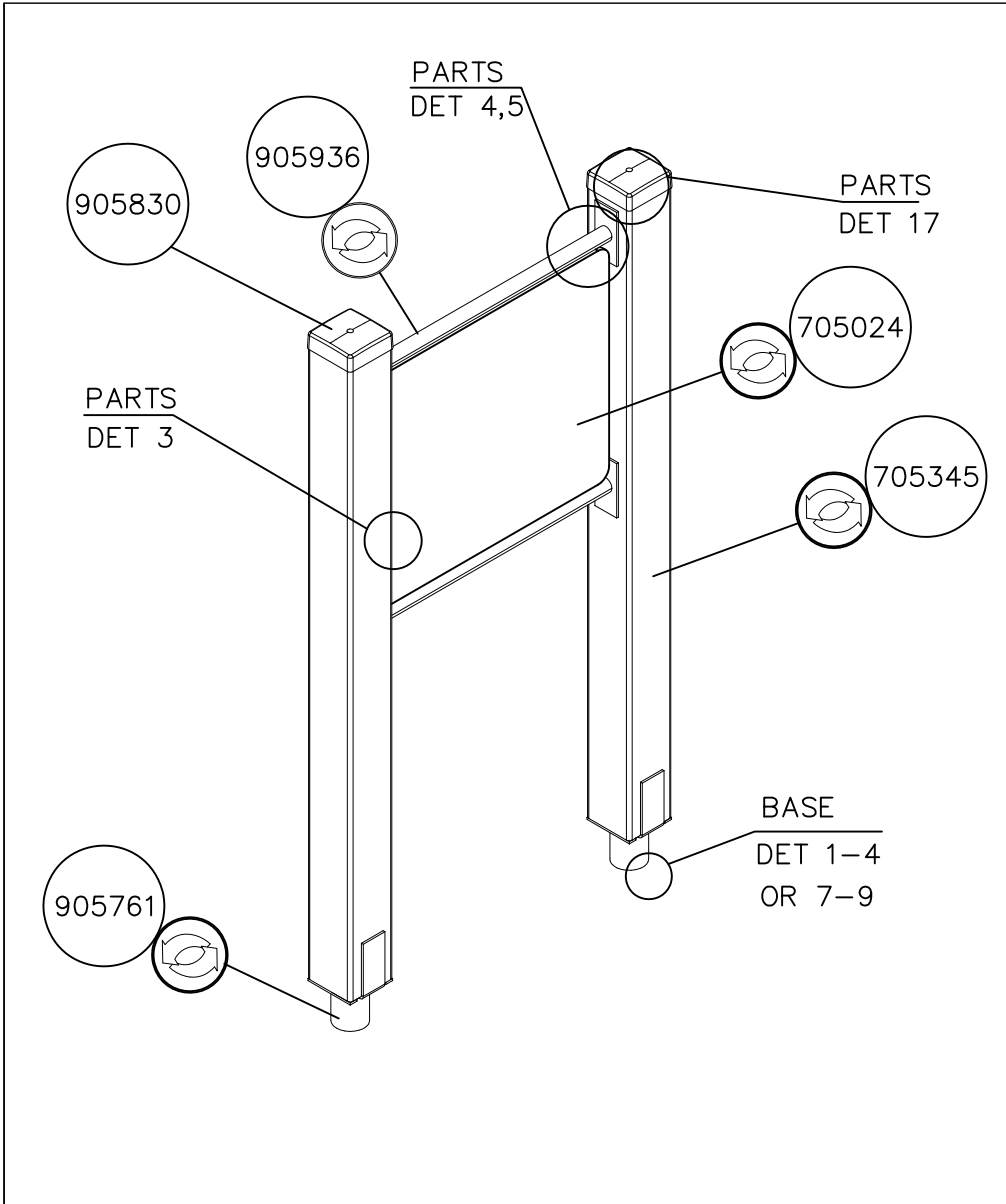


① 706021 M10x20	PCS 1	② 909500 M10x20	PCS 4	⑬ 980123 Ø7x60	PCS 24	⑱ 909256 Ø16/8.4	PCS 24
③ 980114 Ø4x20	PCS 4	④ 904450 M16x170	PCS 8	⑭ 906642 Ø50/45x20	PCS 4	⑳ 980129 Ø5x35	PCS 20
⑤ 905104 M10	PCS 8	⑥ 905780 120x120x150	PCS 2	⑰ 705322 120x120x2500	PCS 2	㉑ 905817 2626X386X60	PCS 2
⑦ 906770 Ø74/48x2	PCS 4	⑧ 905830 123x123x40	PCS 2	⑲ 906577 30x30x3x2250	PCS 2	㉒ 907560 Ø90/46-33	PCS 2
⑨ 906637 L=1590	PCS 1	⑩ 906600 Ø450 10kg	PCS 2				
⑪ 906605 L=1060	PCS 1	⑫ 908976 Ø98/45x44	PCS 2				
⑬ 705542 Ø5x90	PCS 2	⑯ 980104 Ø5x90	PCS 2				
⑮ 909628 M10x100	PCS 16		PCS				



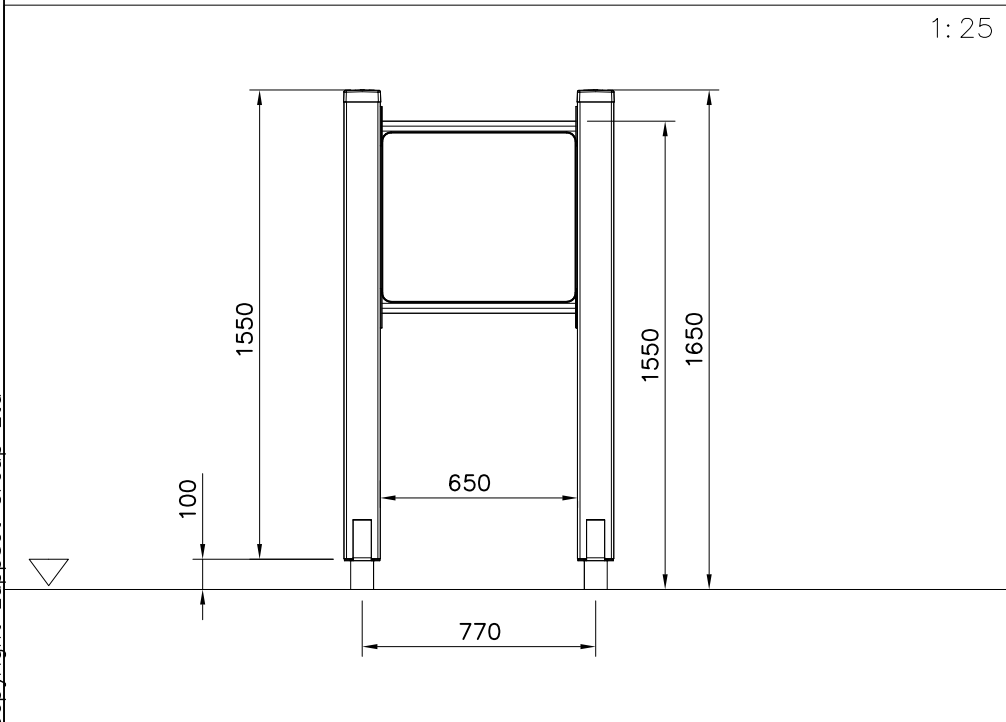
①	706024	PCS	②	705018	PCS
		1			4
				120x120x1170	
③	980114	PCS	④	980123	PCS
		4			40
	Ø4x20			Ø7x60	
⑤	905761	PCS	⑥	905830	PCS
		4			4
	120x120x700			123x123x40	
⑦	905838	PCS	⑧	905934	PCS
		2			1
	L=1060			L=485	
⑨	980104	PCS	⑩	905104	PCS
		4			16
	Ø5x90			M10	
⑪	909256	PCS			PCS
		40			
	Ø16/8.4				
		PCS			PCS
		PCS			PCS

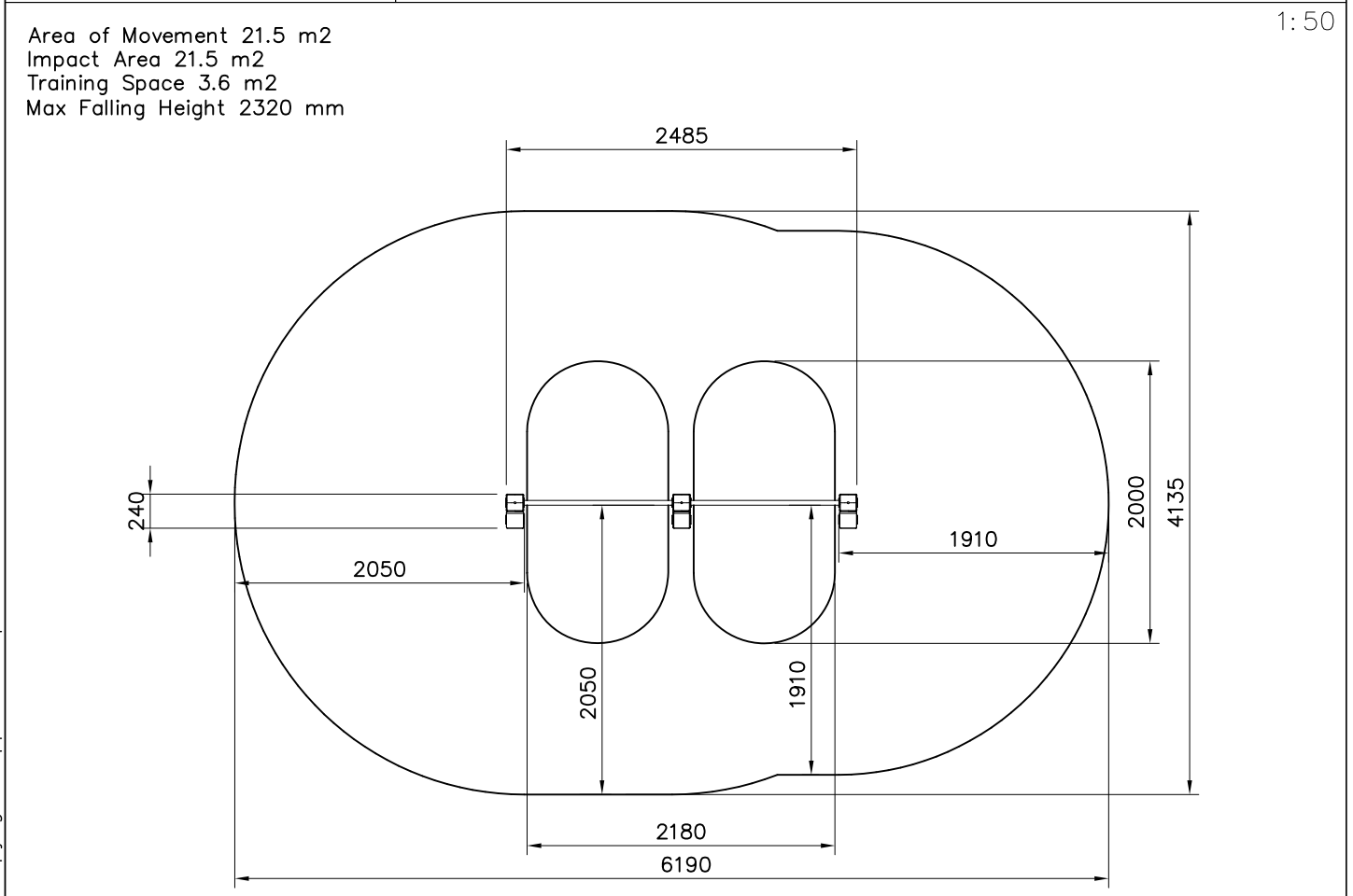
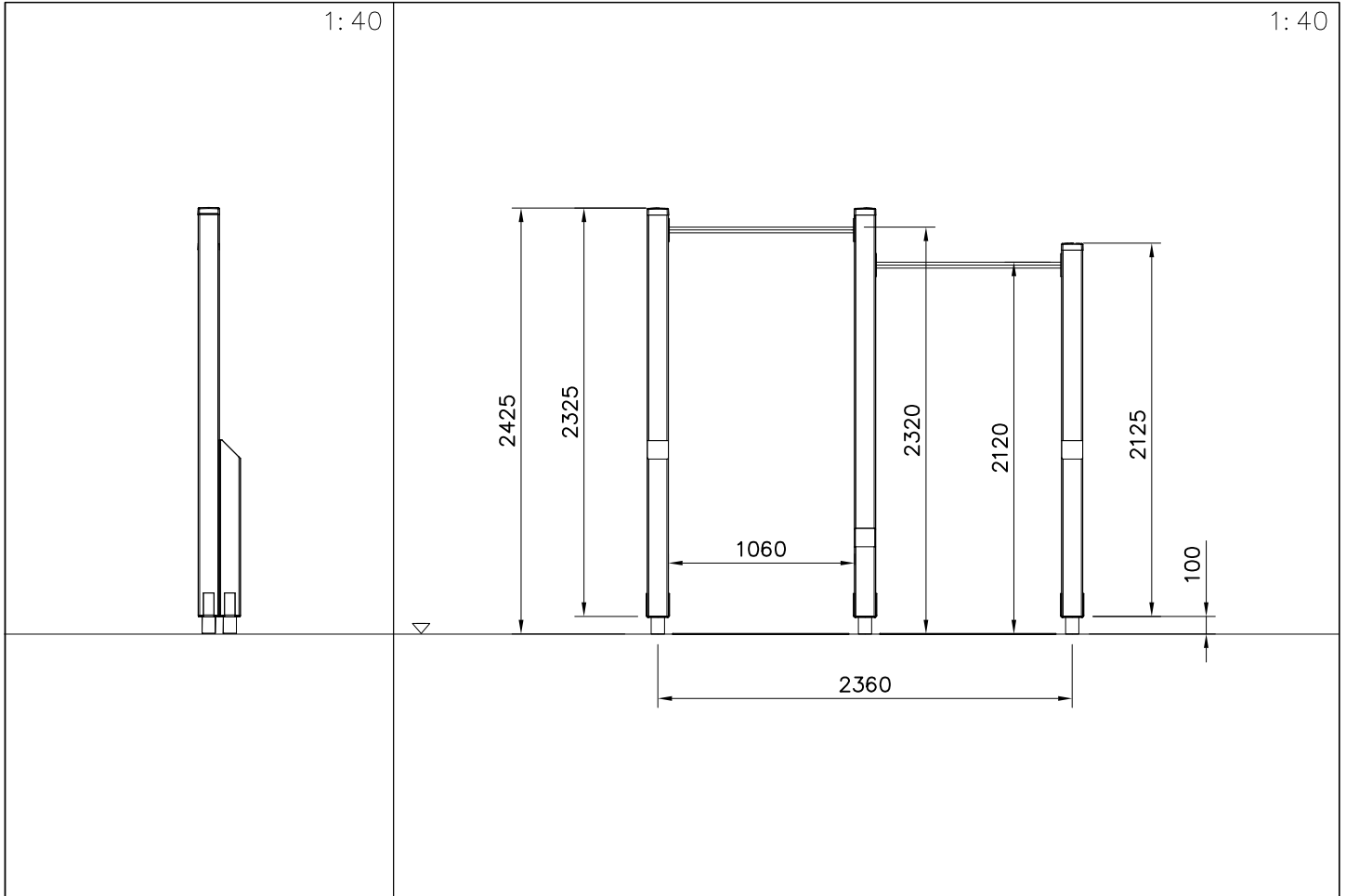


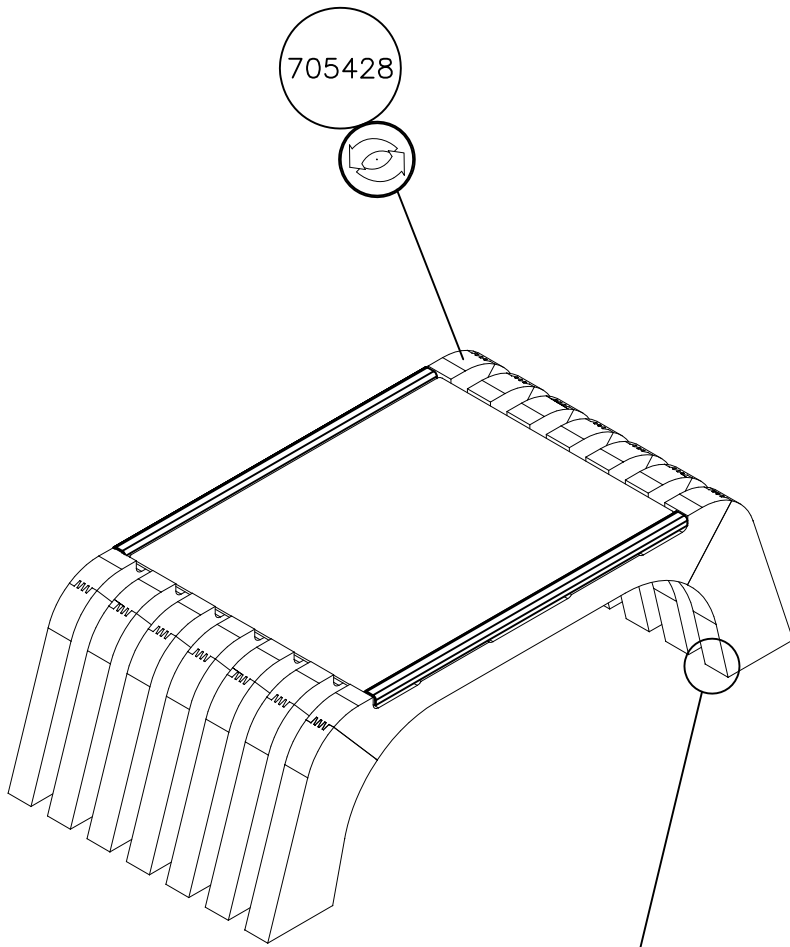


① 705024	PCS	② 705345	PCS
	1		2
15x640x560		120x120x1520	
③ 909633	PCS	④ 905104	PCS
	8		8
M8		M10	
⑤ 905761	PCS	⑥ 905830	PCS
	2		2
120x120x700		123x123x40	
⑦ 905936	PCS	⑧ 909256	PCS
	2		28
L=652		Ø16/8.4x1.6	
⑨ 909855	PCS	⑩ 980104	PCS
	8		2
M8x35		Ø5x90	
⑪ 980123	PCS		PCS
	20		
Ø7x60			
⑫ 901899 Optio	PCS		PCS
	8		
M8x45			
	PCS		PCS



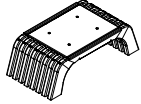
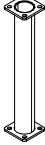
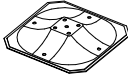
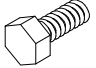


1: 25

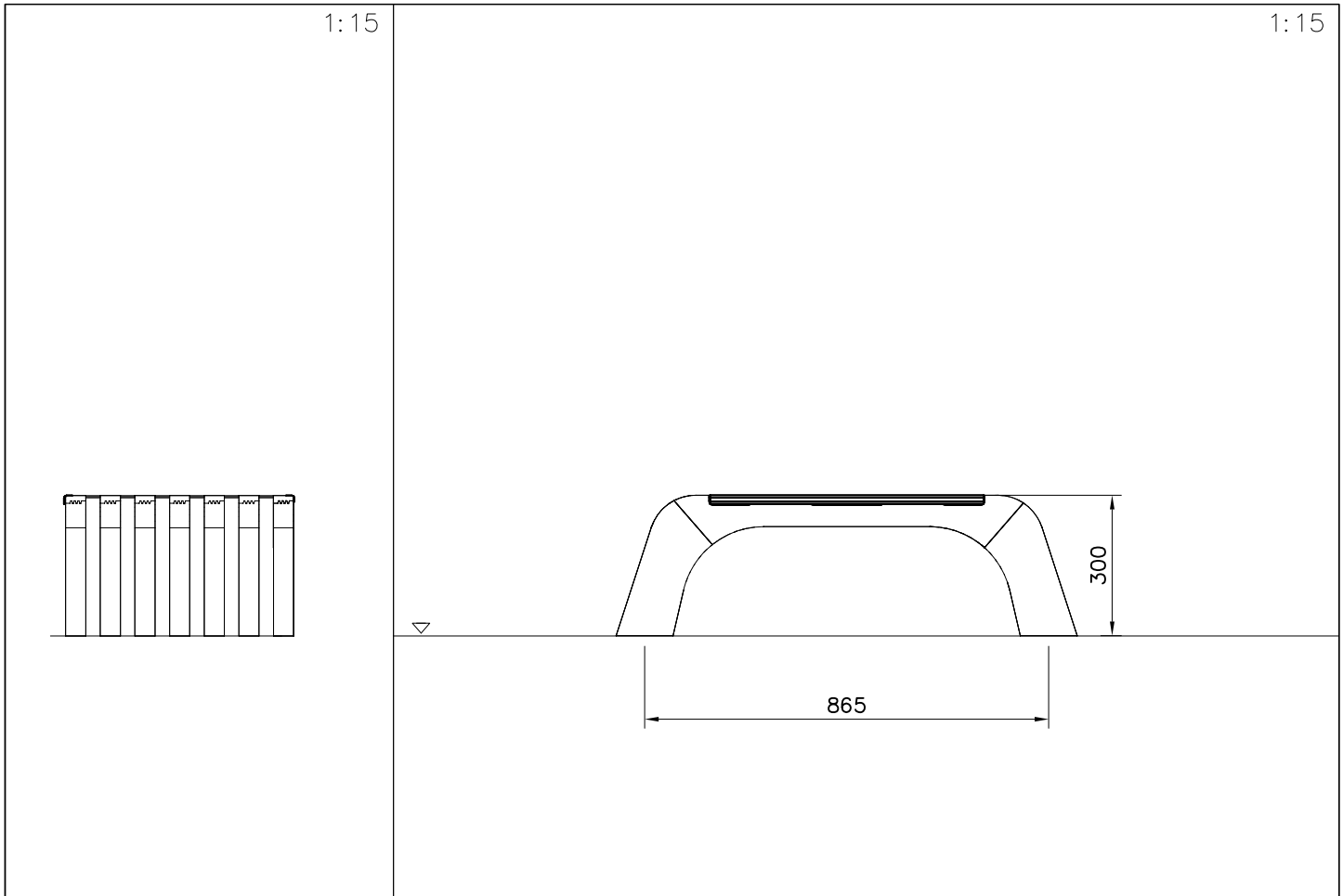






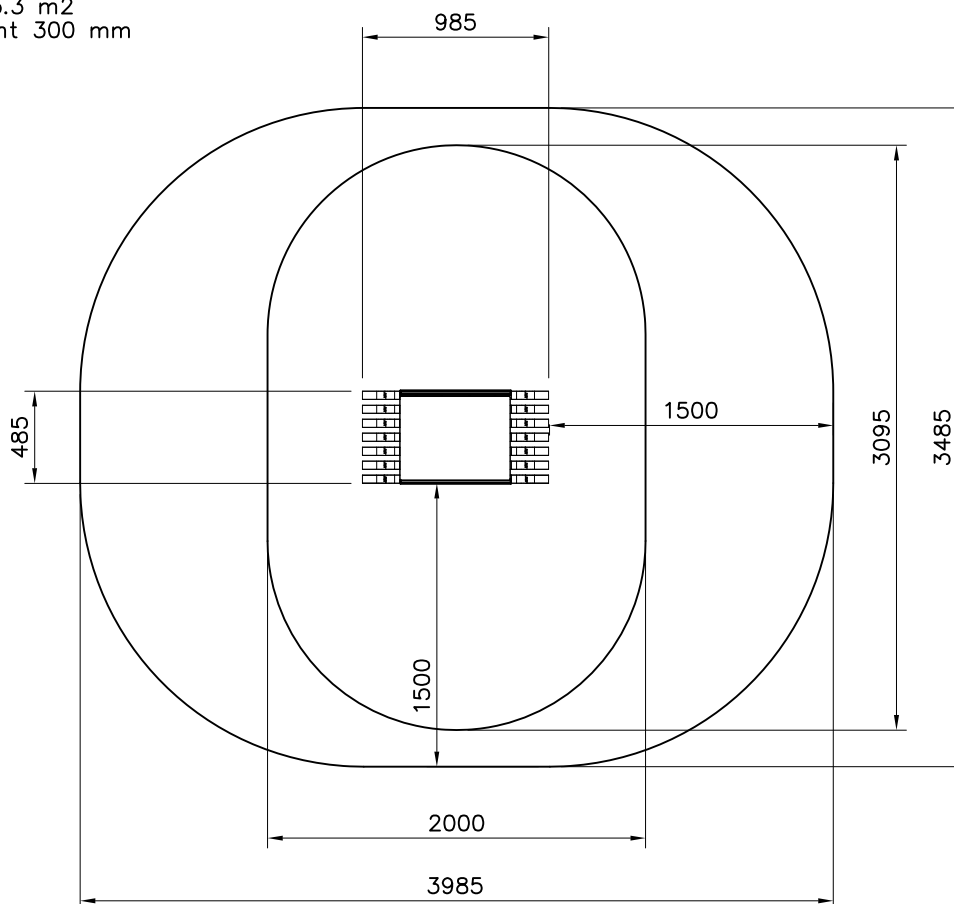
BASE
DET 22-24
OR 25-27

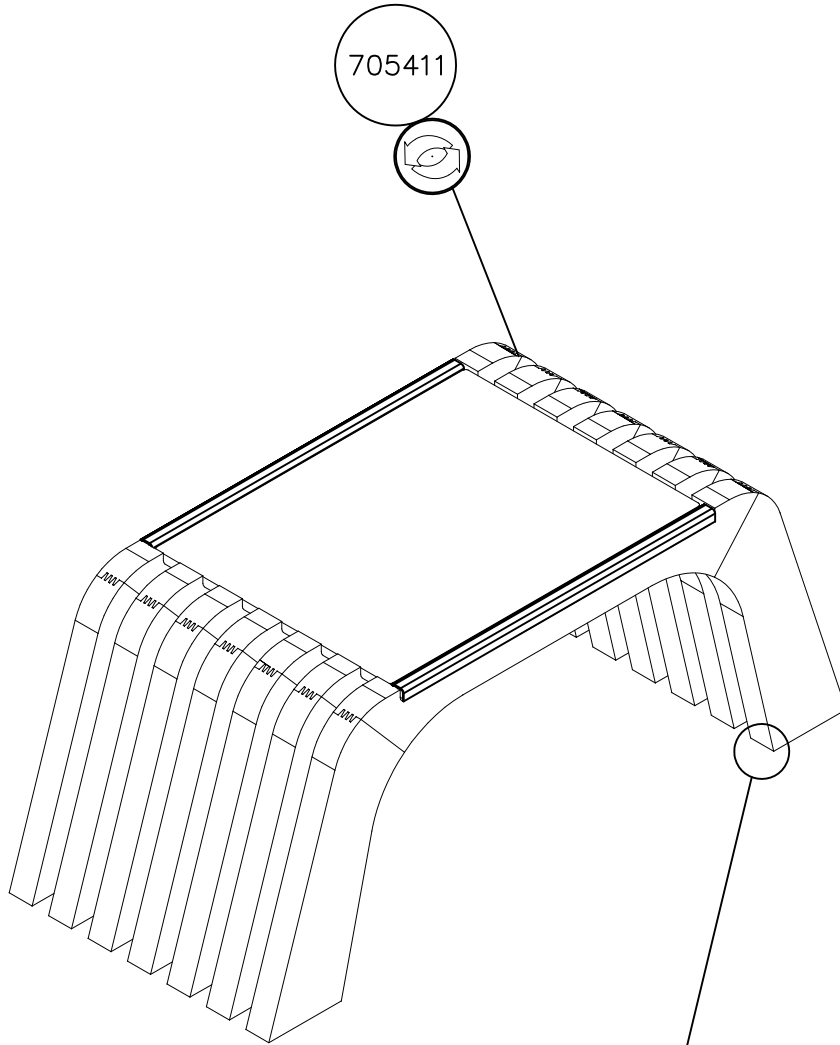
① 706017	PCS	② 980114	PCS
	1		4
		Ø4x20	
③ 705428	PCS	④ 902272	PCS
	1		4
		90x90x450	
⑤ 909519	PCS	⑥ 909639	PCS
	4		8
50x380x380		M10x25	
⑦ 909638	PCS	⑧ 909637	PCS
	16		8
Ø20/10.5		M10	
	PCS		PCS
	PCS		PCS
	PCS		PCS
	PCS		PCS



Area of Movement 12 m2
Training Space 5.3 m2
Max Falling Height 300 mm

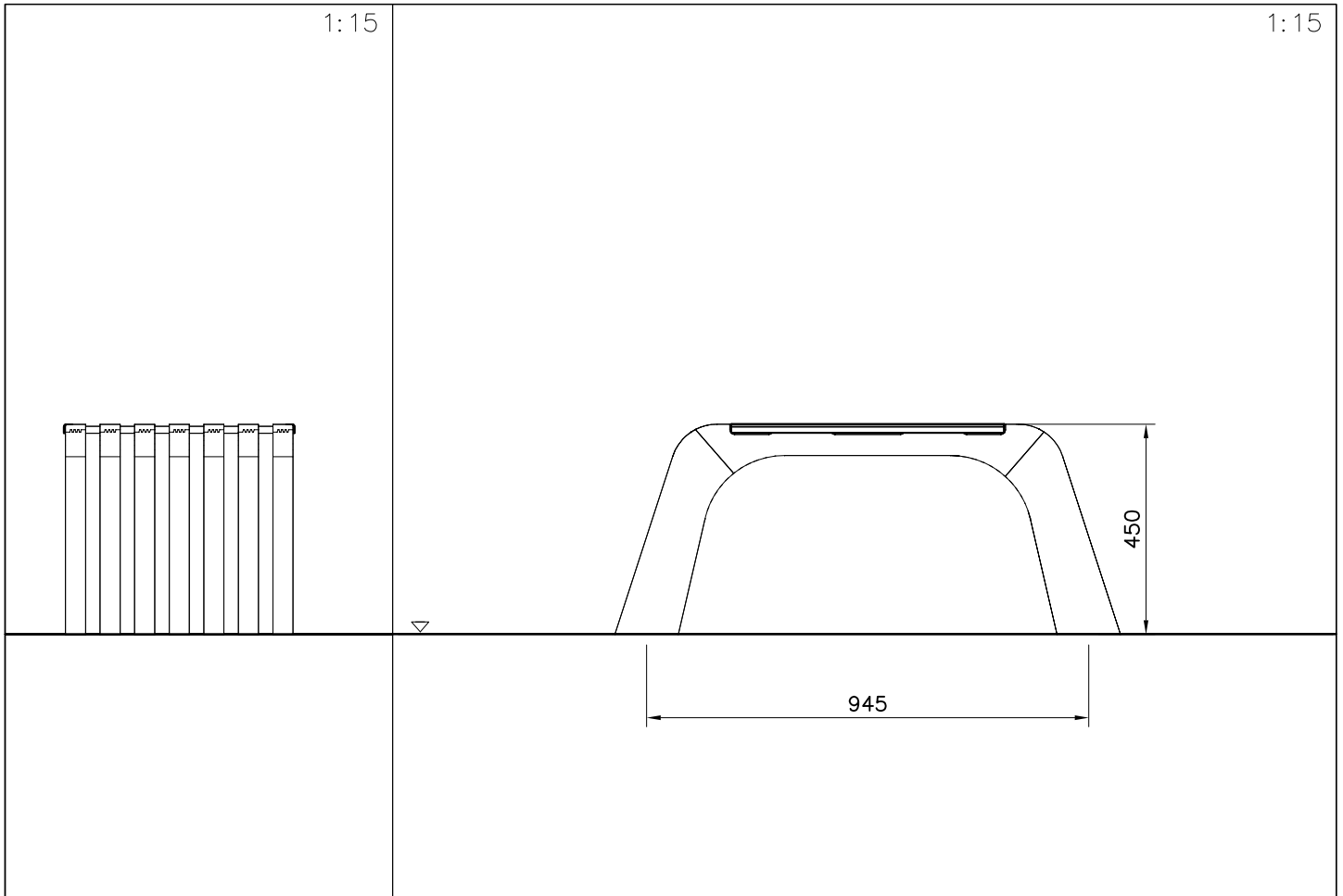
1:40





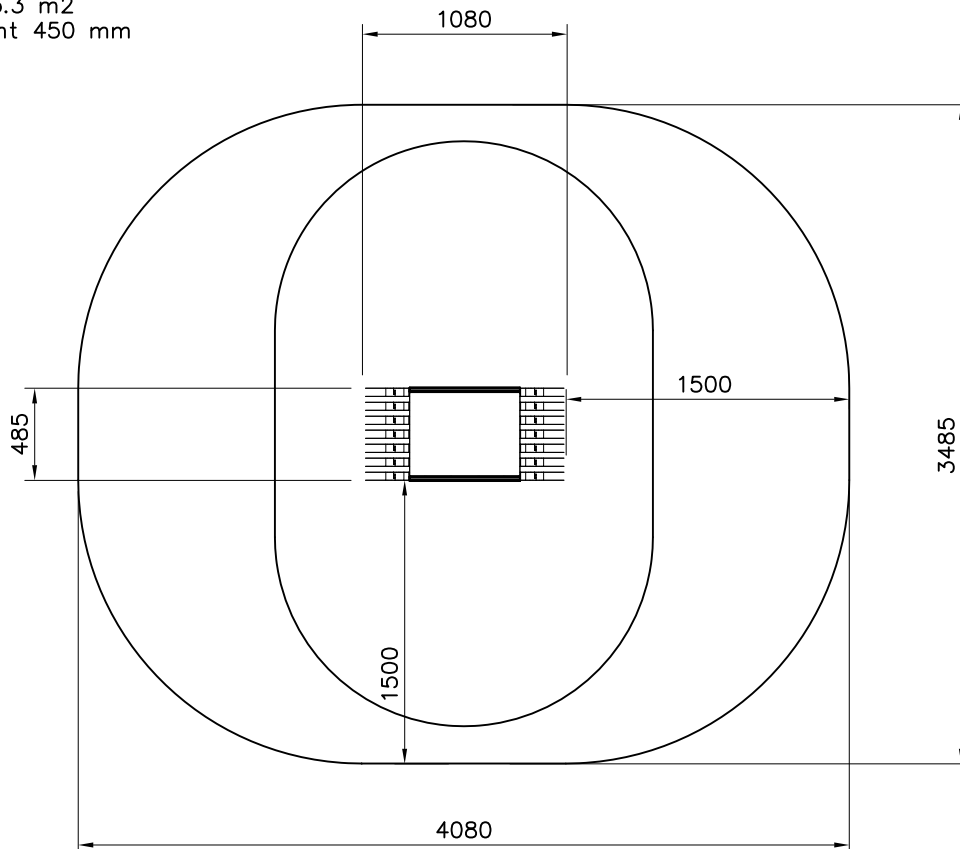
BASE
DET 22-24
OR 25-27

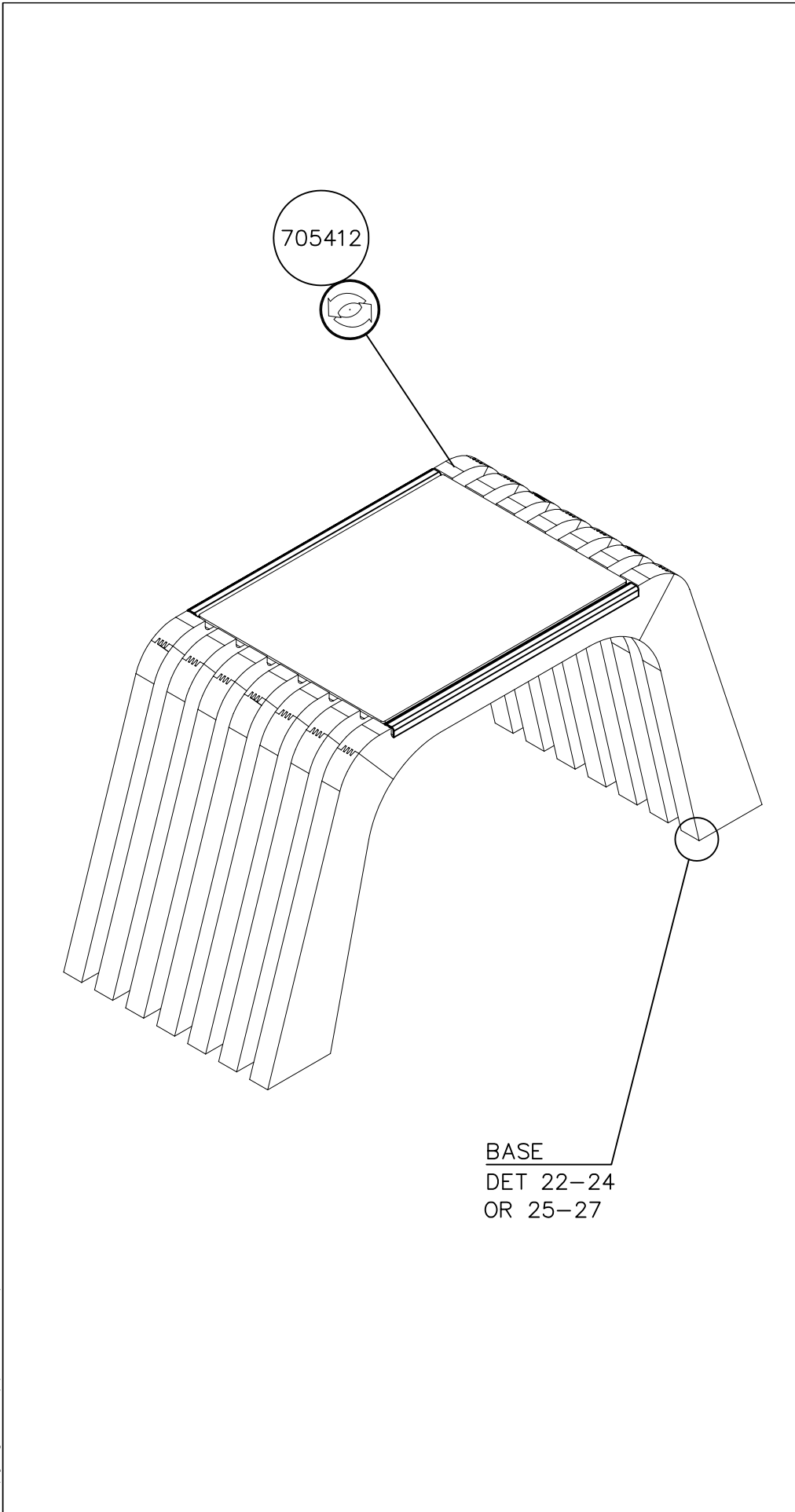
①	706018	PCS	②	980114	PCS
		1			4
				Ø4x20	
③	705411	PCS	④	902272	PCS
		1			4
				90x90x450	
⑤	909519	PCS	⑥	909639	PCS
		4			8
	50x380x380			M10x25	
⑦	909638	PCS	⑧	909637	PCS
		16			8
	Ø20/10.5			M10	
		PCS			PCS
		PCS			PCS
		PCS			PCS
		PCS			PCS



Area of Movement 12.3 m²
Training Space 5.3 m²
Max Falling Height 450 mm

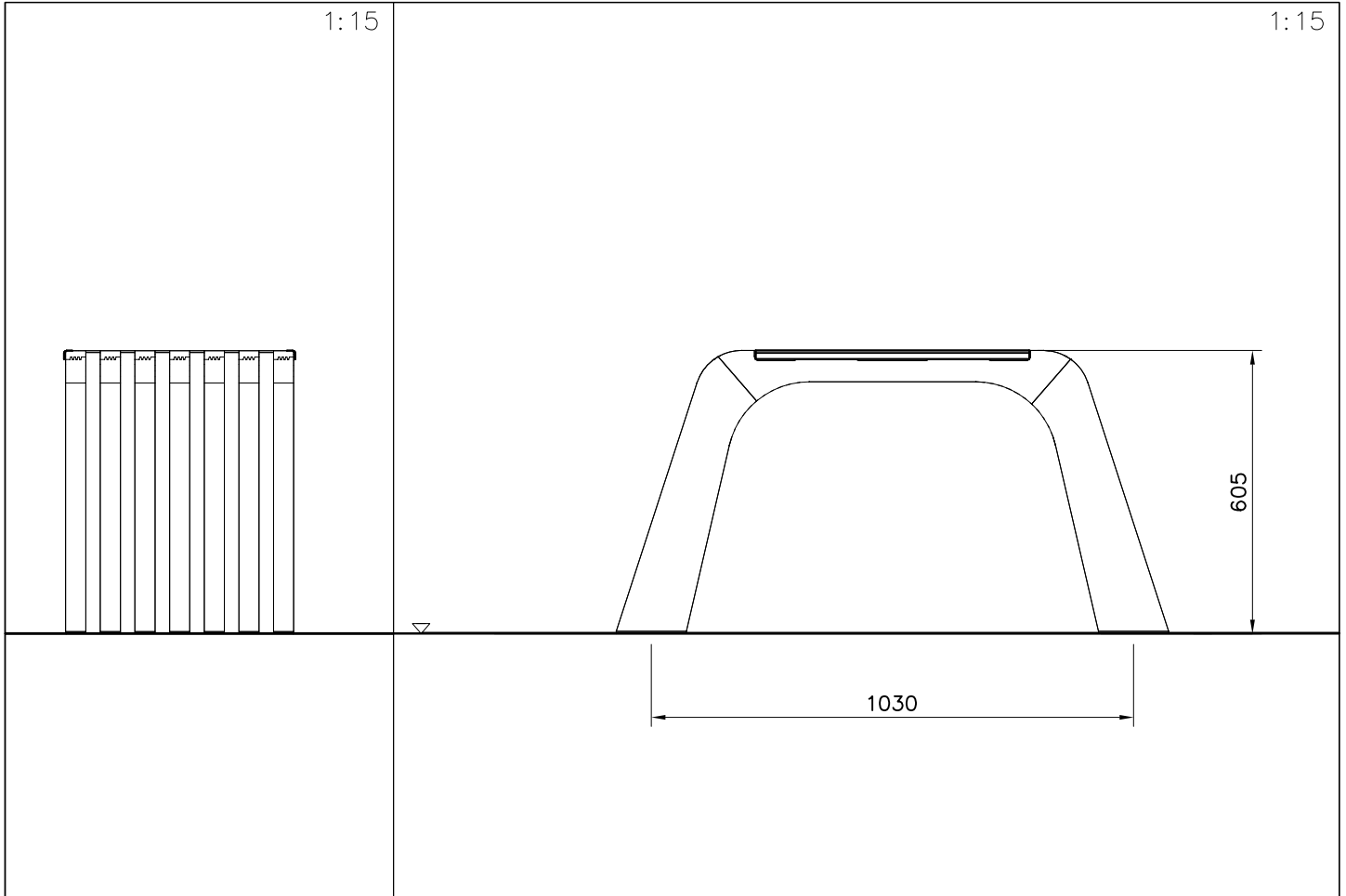
1:40





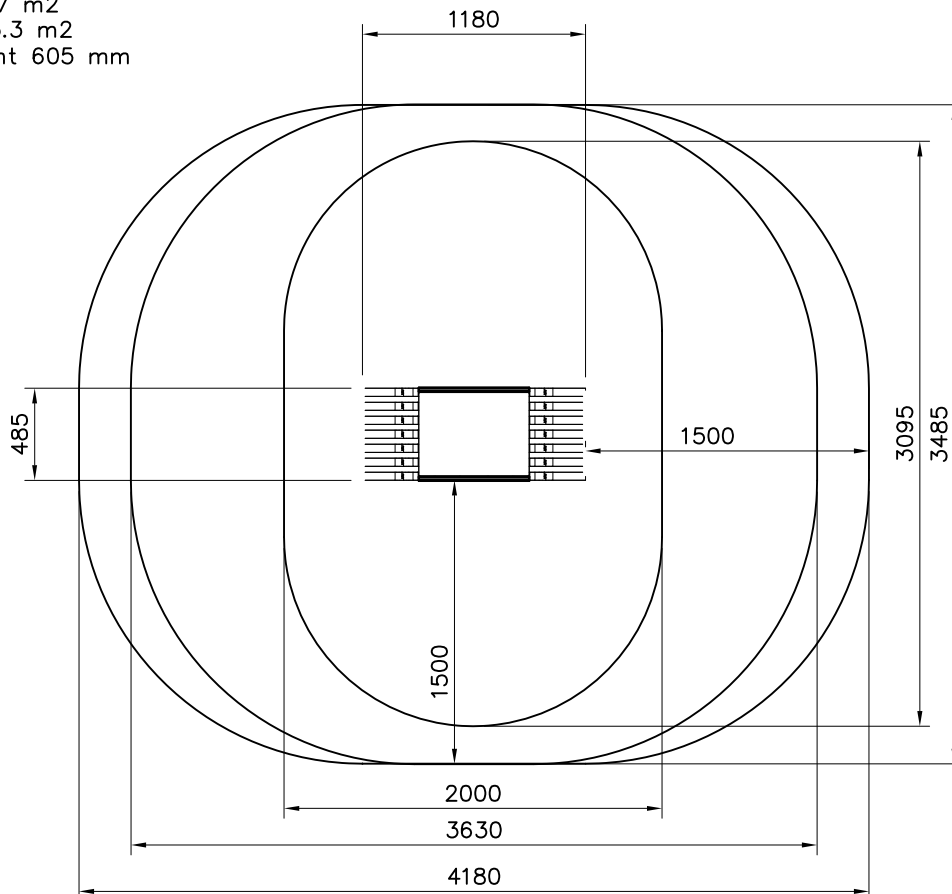
①	706019	PCS	②	980114	PCS
		1			4
				Ø4x20	
③	705412	PCS	④	902272	PCS
		1			4
				90x90x450	
⑤	909519	PCS	⑥	909639	PCS
		4			8
	50x380x380			M10x25	
⑦	909638	PCS	⑧	909637	PCS
		16			8
	Ø20/10.5			M10	
		PCS			PCS
		PCS			PCS
		PCS			PCS
		PCS			PCS

BASE
DET 22-24
OR 25-27



Area of Movement 12.6 m²
Impact Area 10.7 m²
Training Space 5.3 m²
Max Falling Height 605 mm

1:40



												
<p>$h < 600$</p> <p>Without movement and therefore without Impact Area</p>	<p>Totally hard surfaces.</p> <p>Note. Lappset does <u>not recommend</u> totally hard surfaces at all.</p>	<p>E.g. concrete or asphalt</p> 										
<p>$h < 600$</p> <p>With movement e.g. rocking</p>	<p>Materials with very limited impact attenuating properties.</p>	<p>E.g. wood</p> 										
<p>$h < 1000$</p>	<p>Materials with significant impact attenuating properties.</p>	<p>fine gravel 0–8 mm</p>  <p>grass</p>  <p>unsorted sand</p> 										
<p>$h < 3000$</p>	<p>Loose fill material</p> <p>E.g. sand/gravel 0,25...8 mm D60/D10<3,0 Woodchips 5...30 mm bark 20...80 mm</p>	 <table data-bbox="1021 1691 1332 1792"> <tr> <td>\underline{S}</td> <td>\underline{h}</td> </tr> <tr> <td>30 cm</td> <td>< 2,0 m</td> </tr> <tr> <td>40 cm</td> <td>< 3,0 m</td> </tr> </table>	\underline{S}	\underline{h}	30 cm	< 2,0 m	40 cm	< 3,0 m				
\underline{S}	\underline{h}											
30 cm	< 2,0 m											
40 cm	< 3,0 m											
	<p>Syntethic granulates</p> <table data-bbox="406 1892 758 2060"> <tr> <td>\underline{S}</td> <td>\underline{h}</td> </tr> <tr> <td>40 mm</td> <td>~> 1,2...1,3 m</td> </tr> <tr> <td>50 mm</td> <td>~> 1,5...1,7 m</td> </tr> <tr> <td>60 mm</td> <td>~> 1,8...2,0 m</td> </tr> <tr> <td>70 mm</td> <td>~> 2,1...2,5 m</td> </tr> </table> <p>Note. For accurate values, see manufacturer's instructions.</p>	\underline{S}	\underline{h}	40 mm	~> 1,2...1,3 m	50 mm	~> 1,5...1,7 m	60 mm	~> 1,8...2,0 m	70 mm	~> 2,1...2,5 m	
\underline{S}	\underline{h}											
40 mm	~> 1,2...1,3 m											
50 mm	~> 1,5...1,7 m											
60 mm	~> 1,8...2,0 m											
70 mm	~> 2,1...2,5 m											

REMOVE SAFETY SURFACE/SAND/GRAVEL
TO CHECK FOUNDATION



REMOVE SAFETY SURFACE/SAND/GRAVEL
TO CHECK FOUNDATION



DET 1



DET 2



DET 3



DET 4



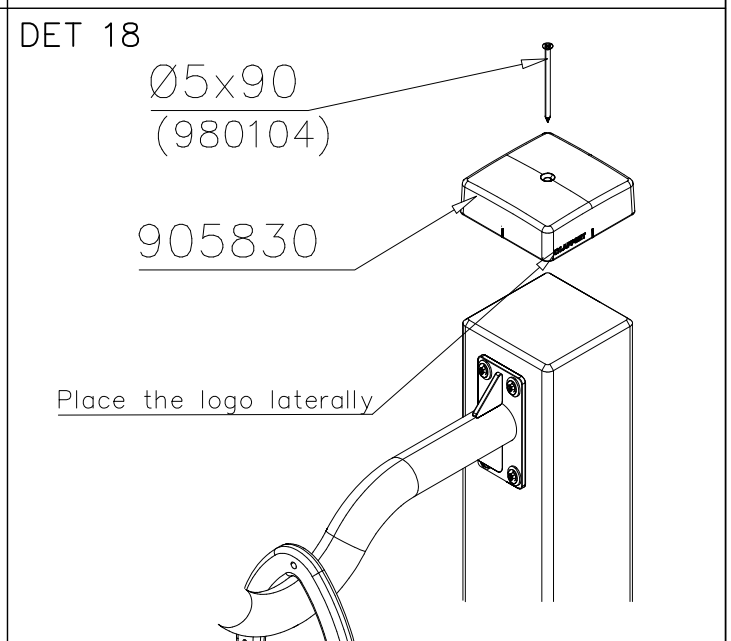
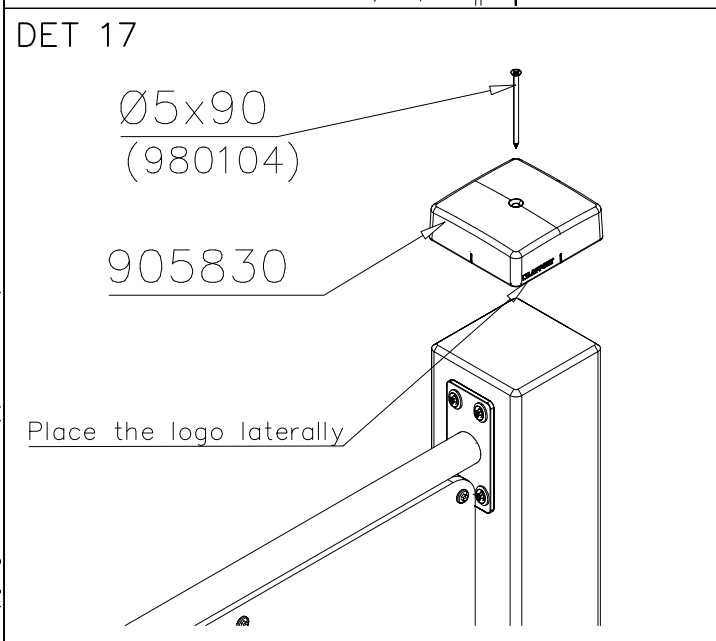
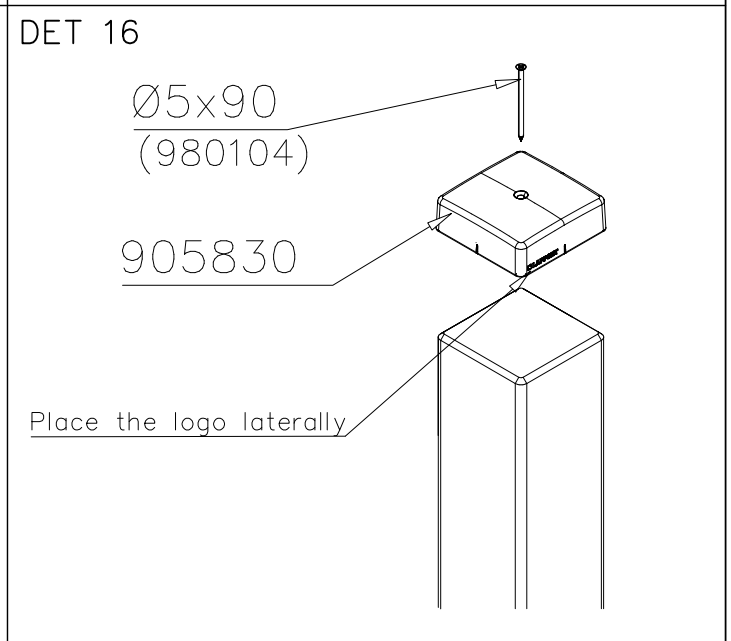
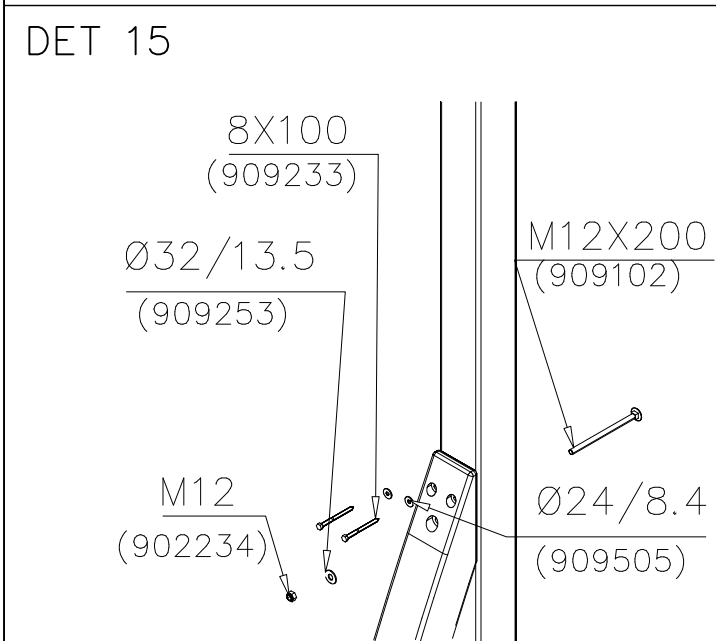
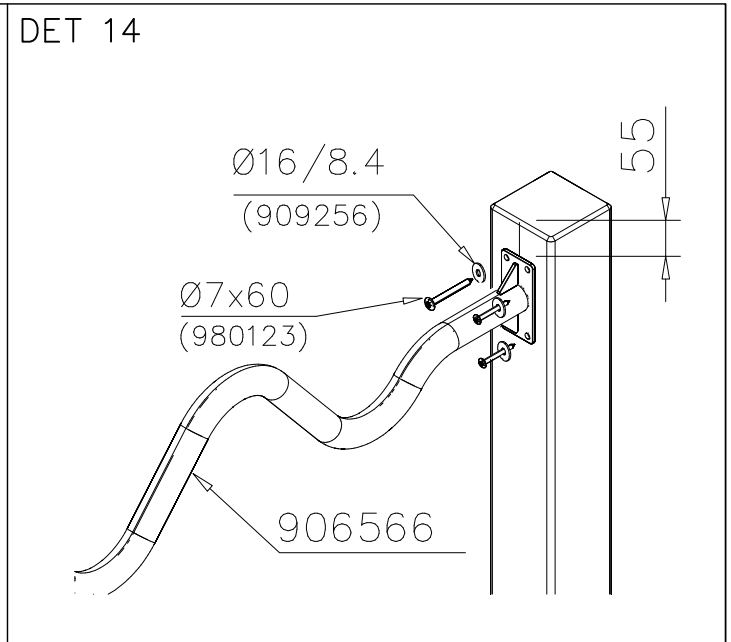
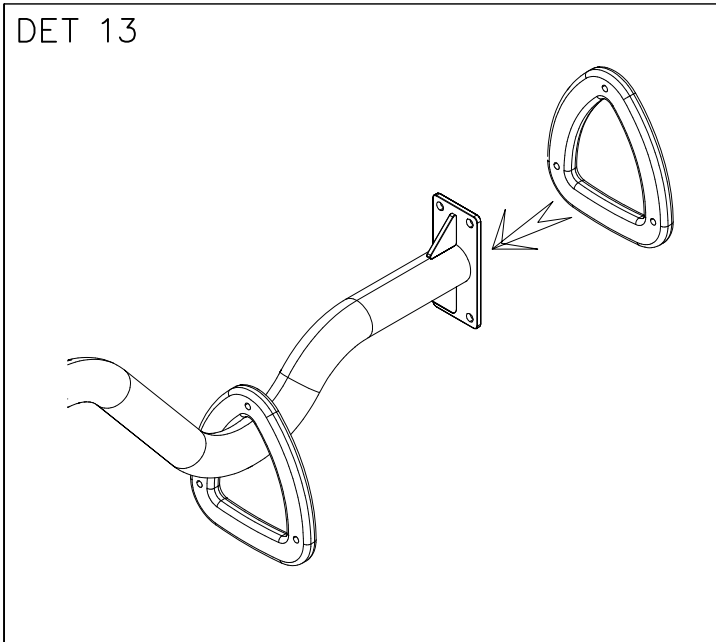
DET 5



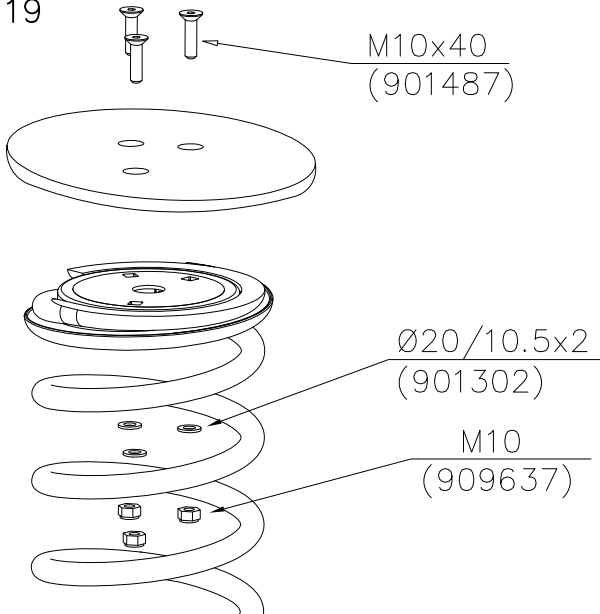
DET 6



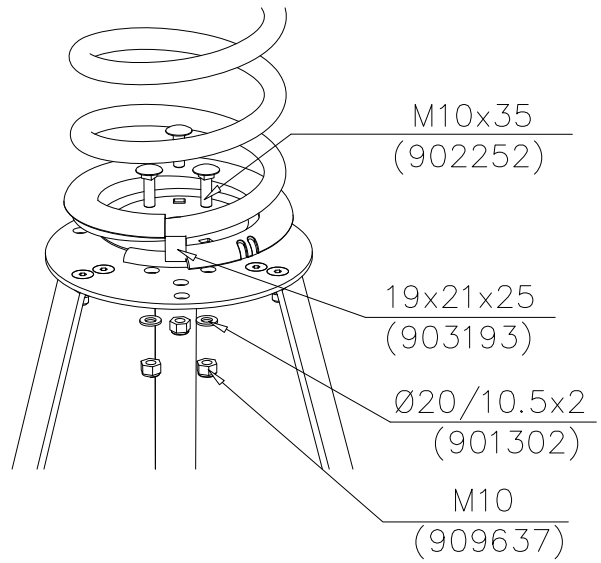




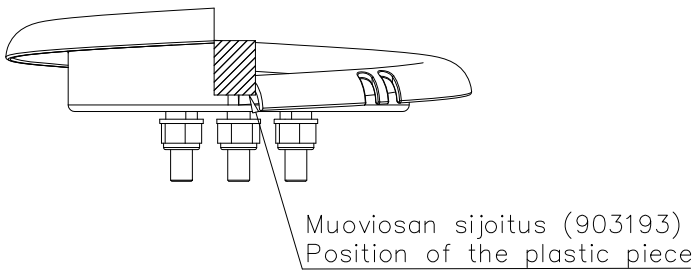
DET 19



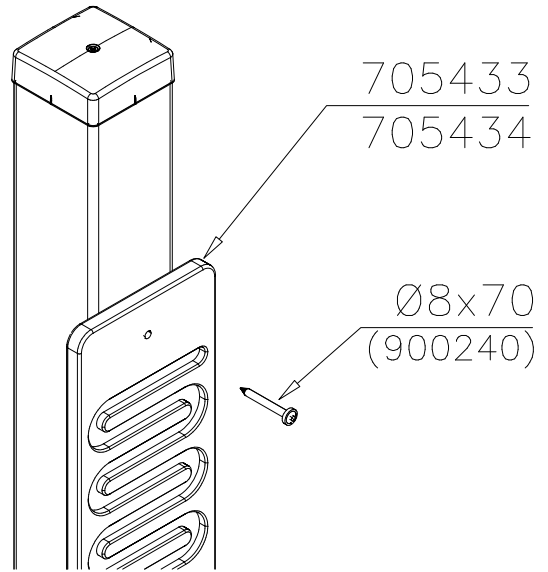
DET 20



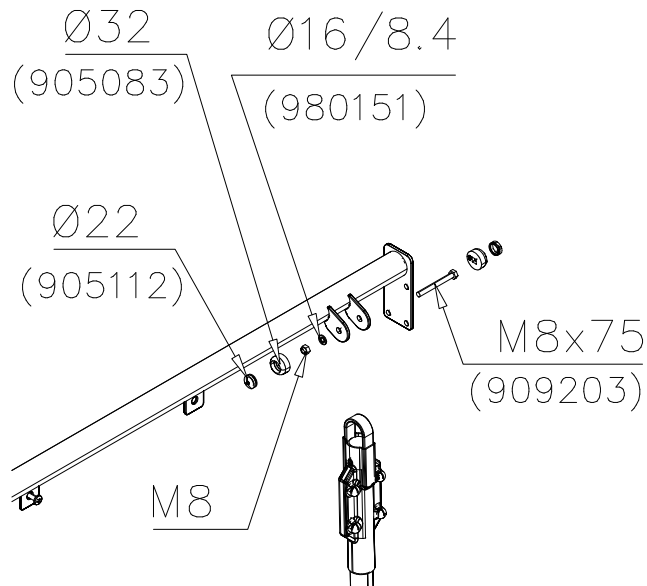
DET 21



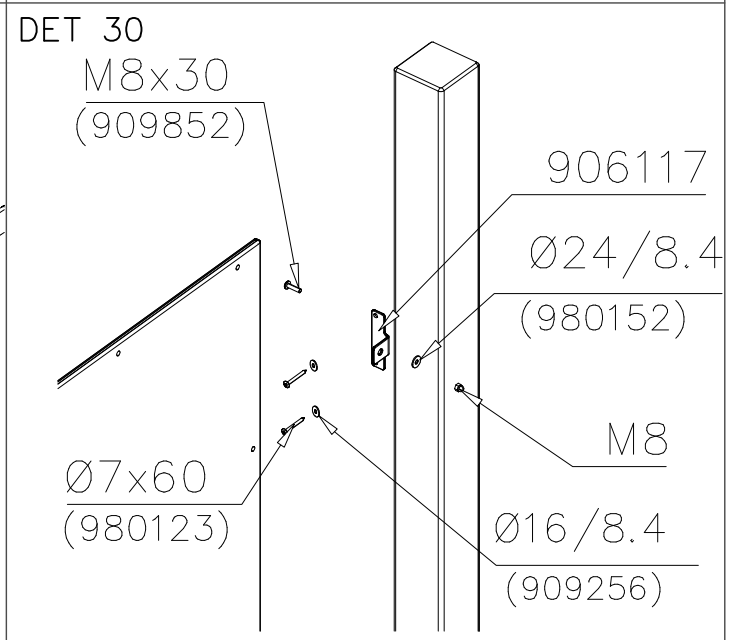
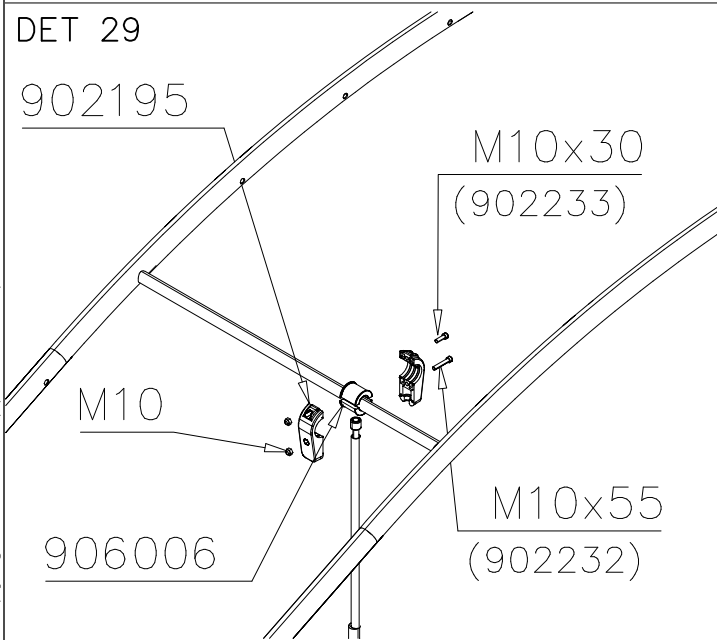
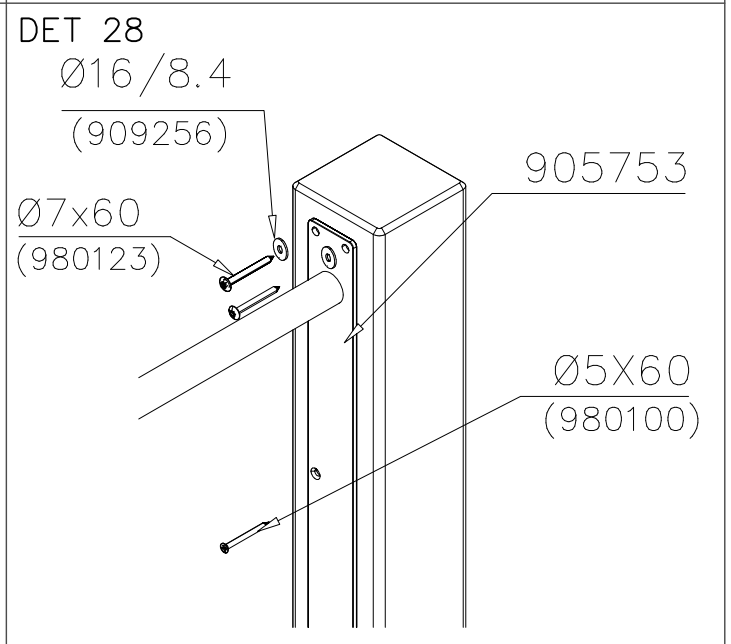
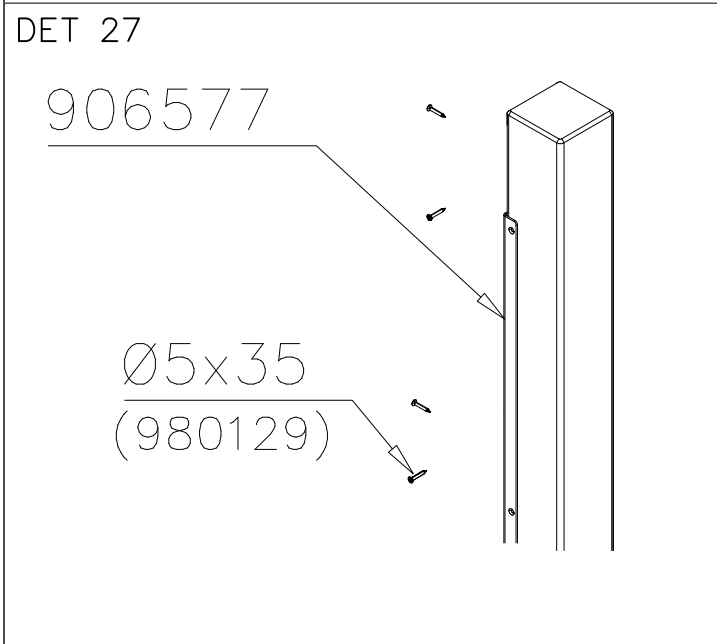
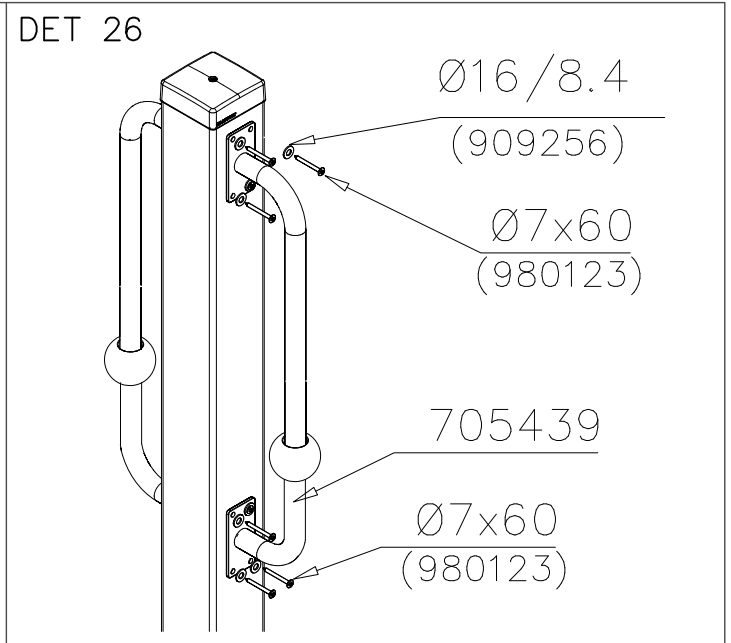
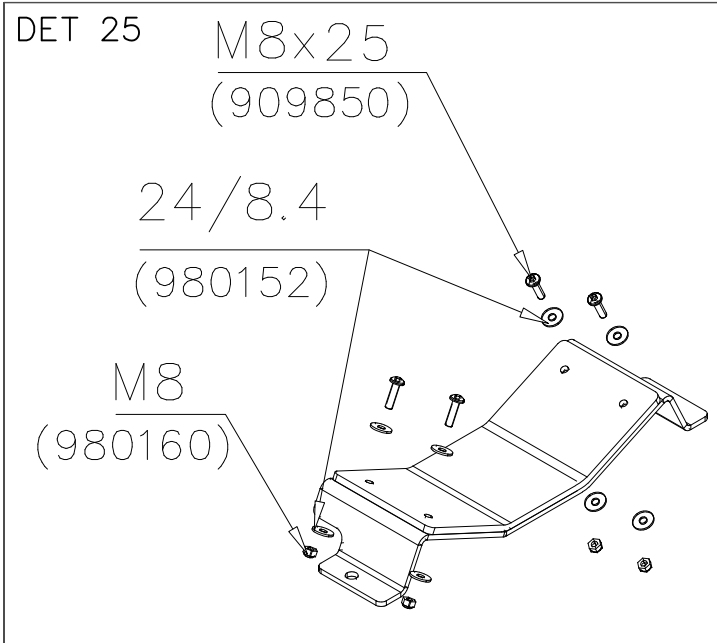
DET 22



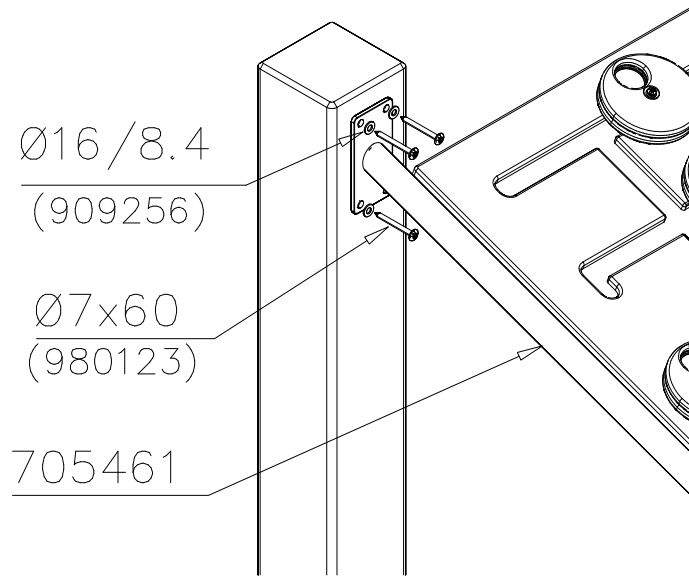
DET 23



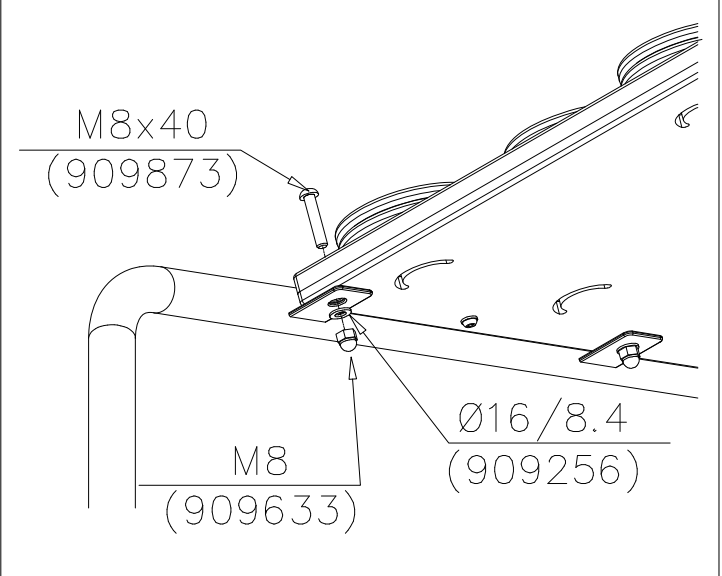
DET 24



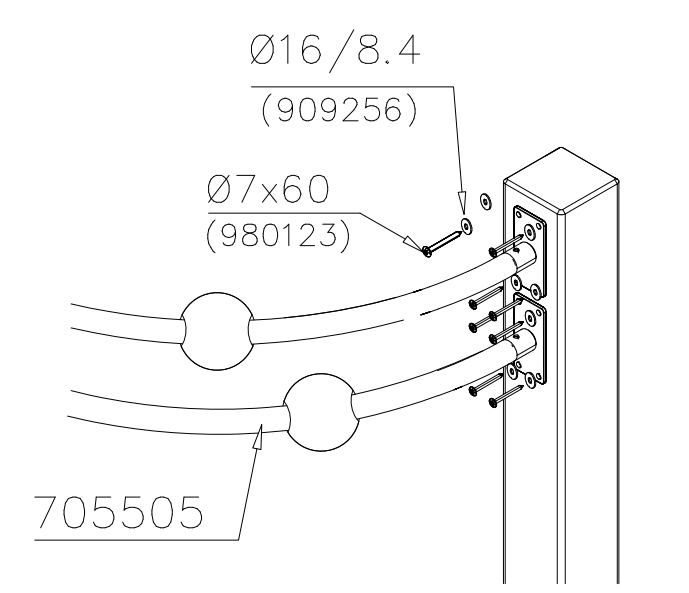
DET 31



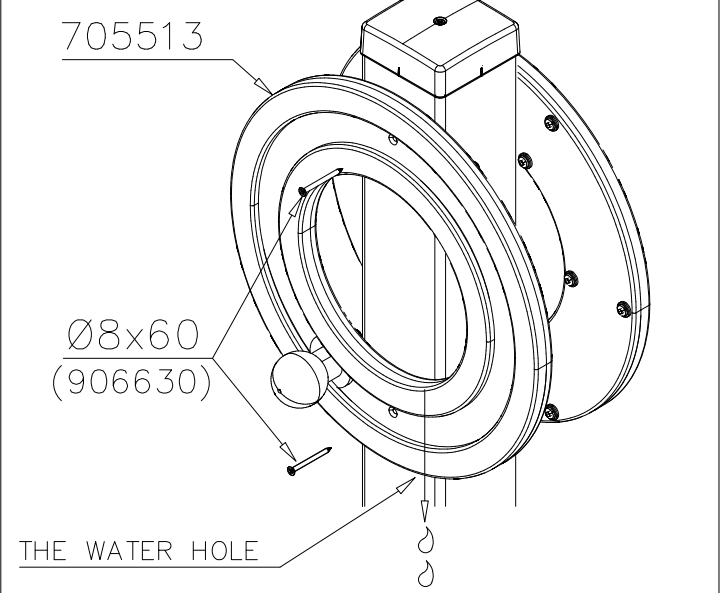
DET 32



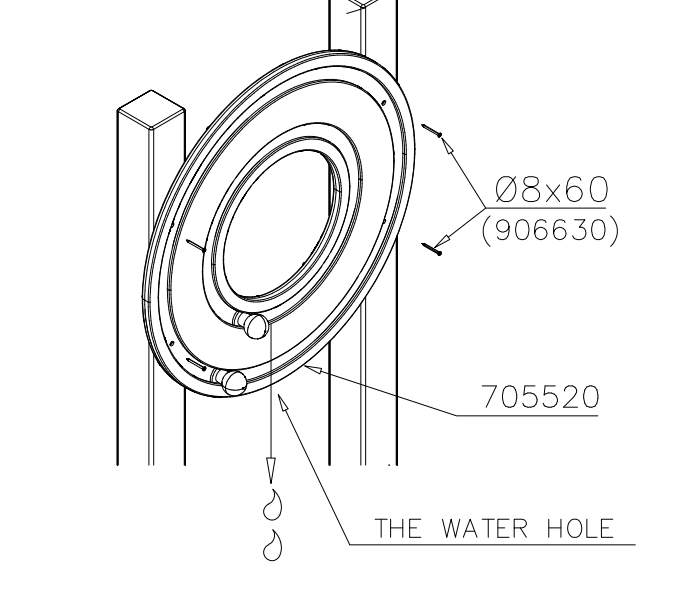
DET 33



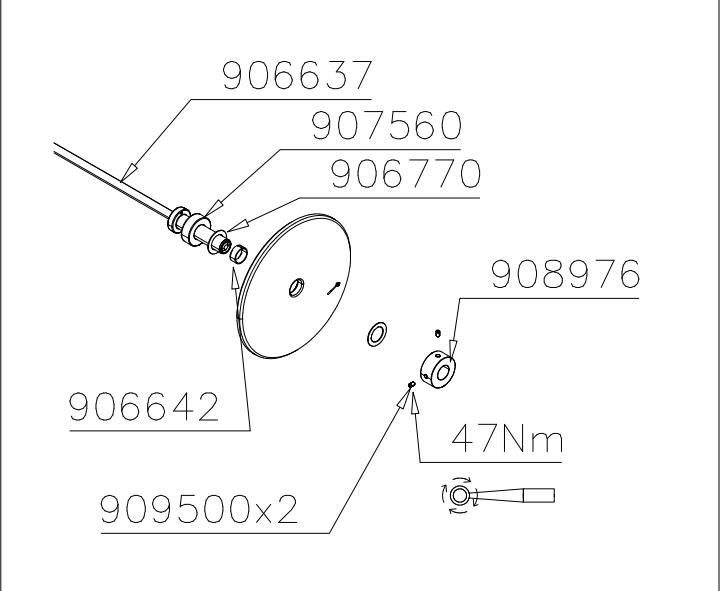
DET 34



DET 35



DET 36



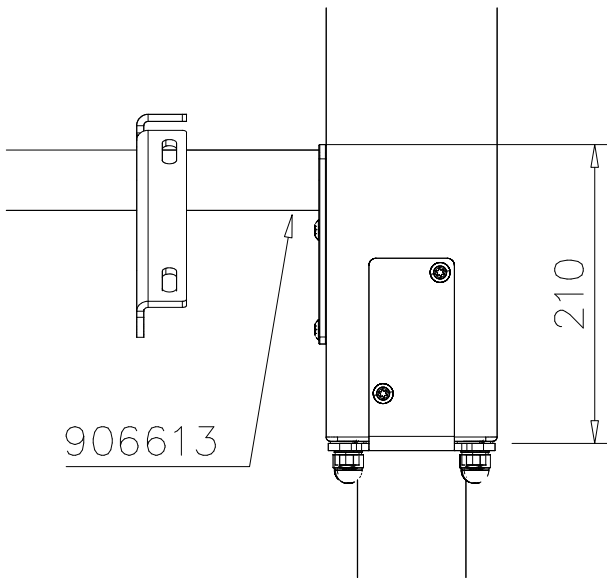
DET 37



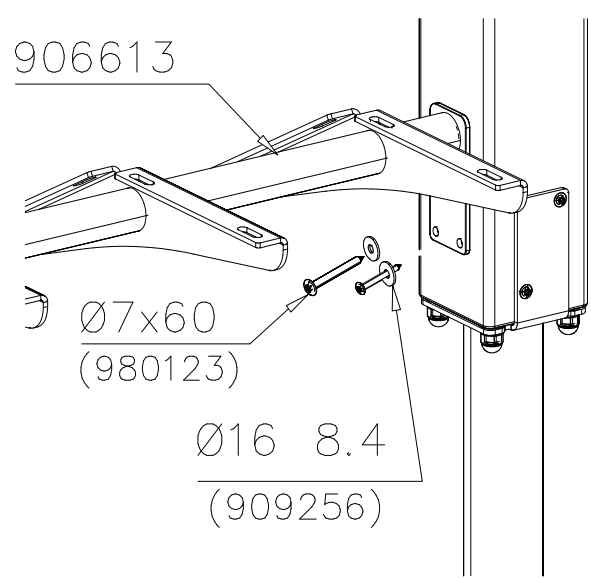
DET 38



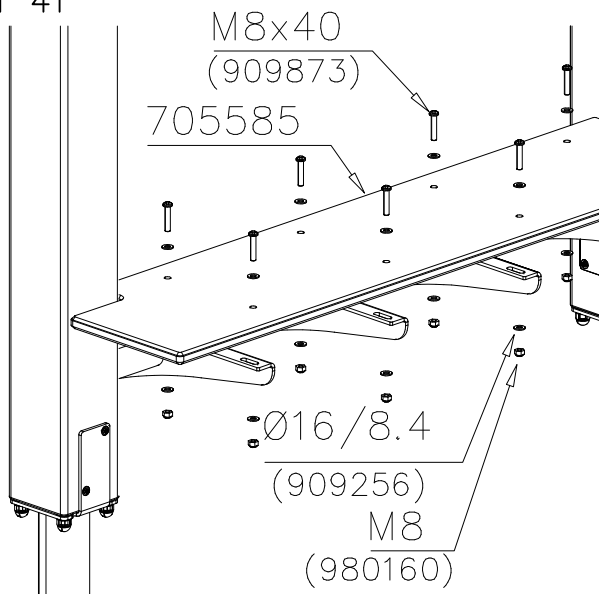
DET 39



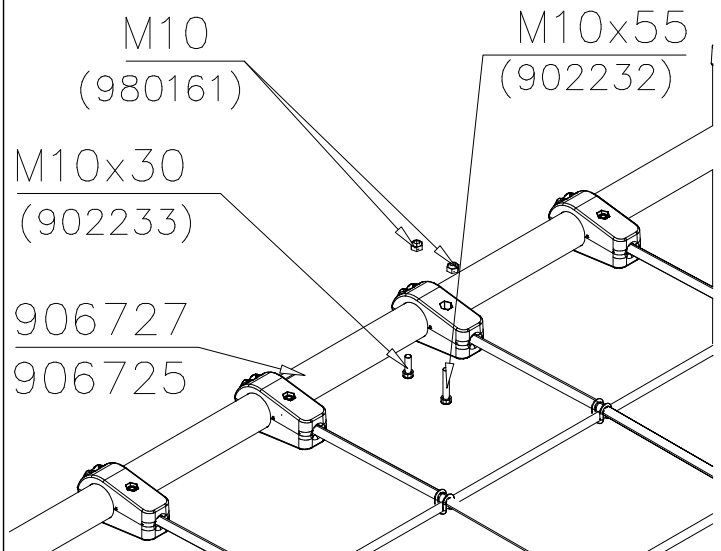
DET 40

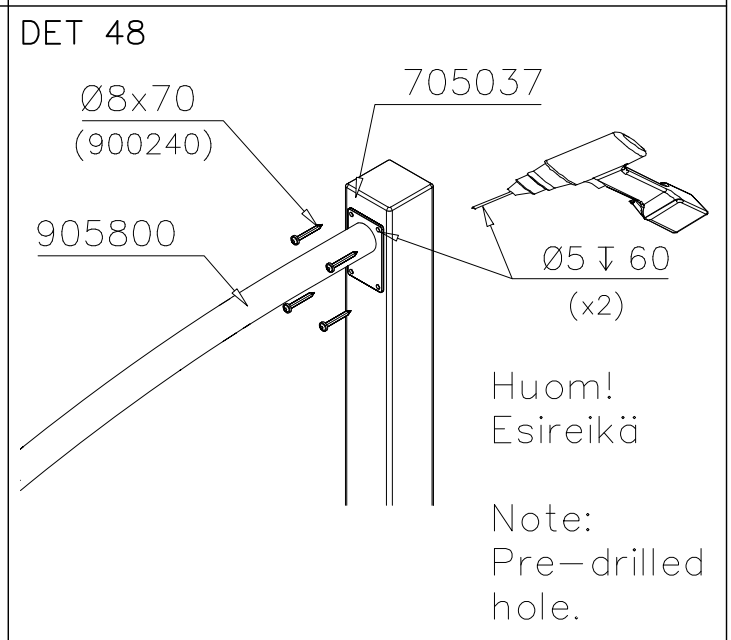
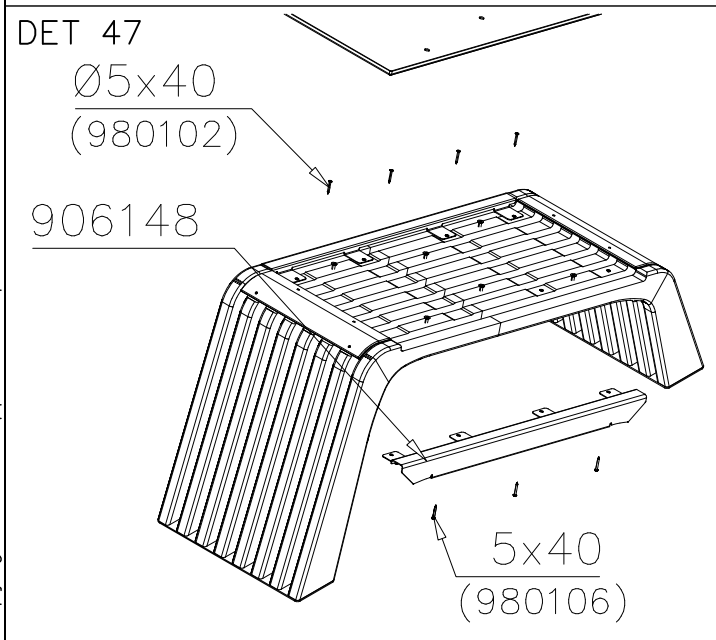


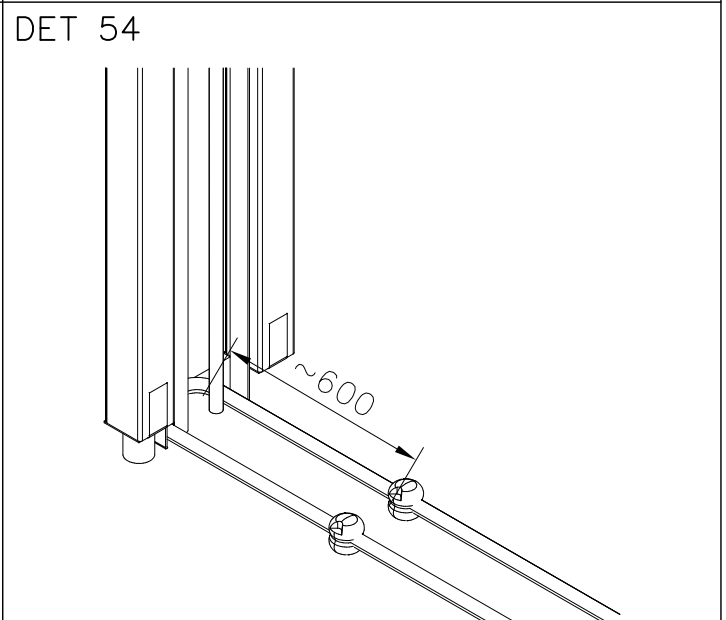
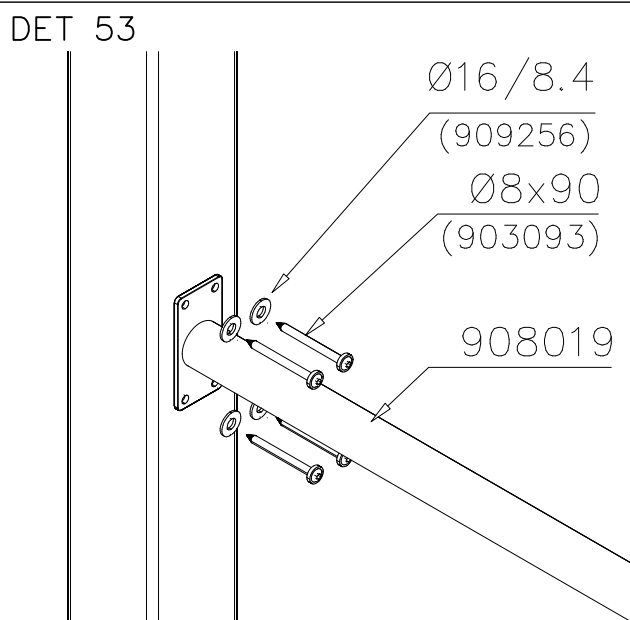
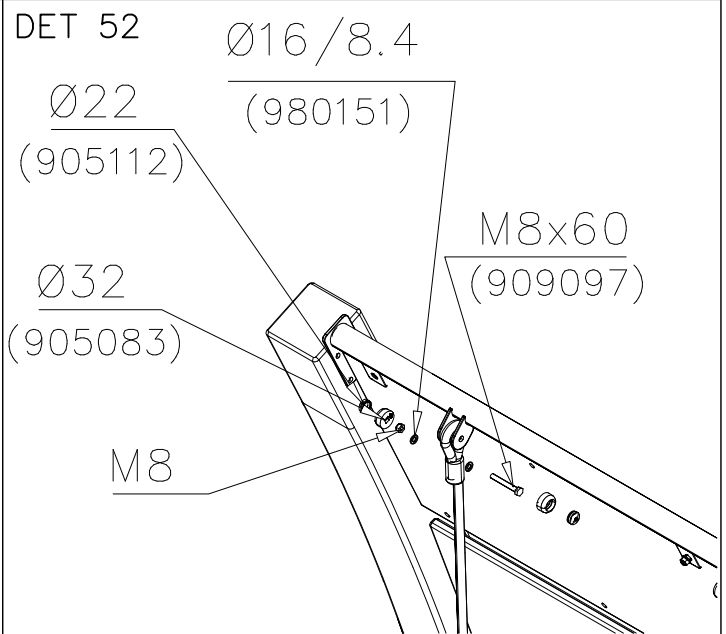
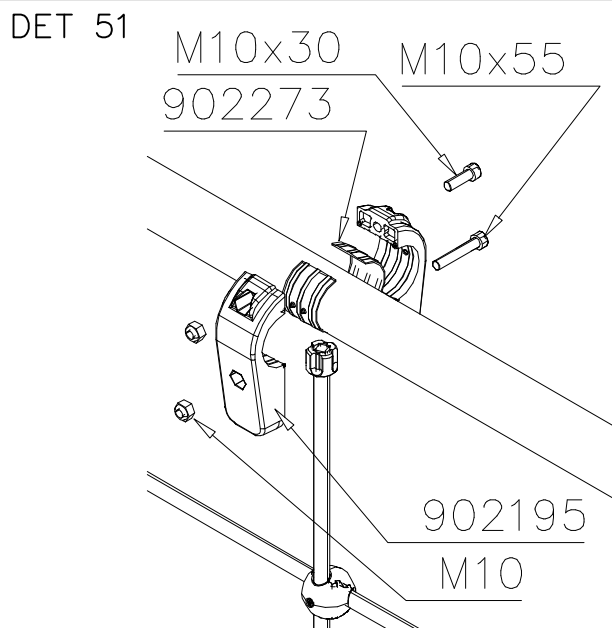
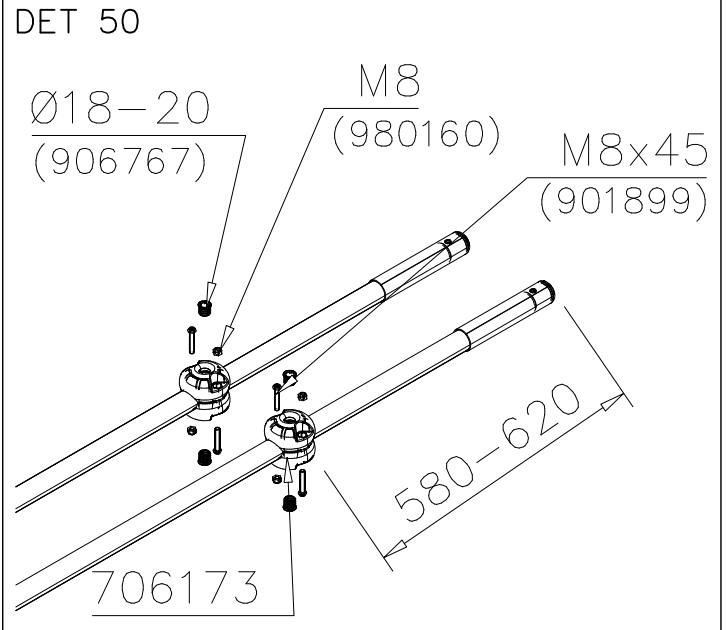
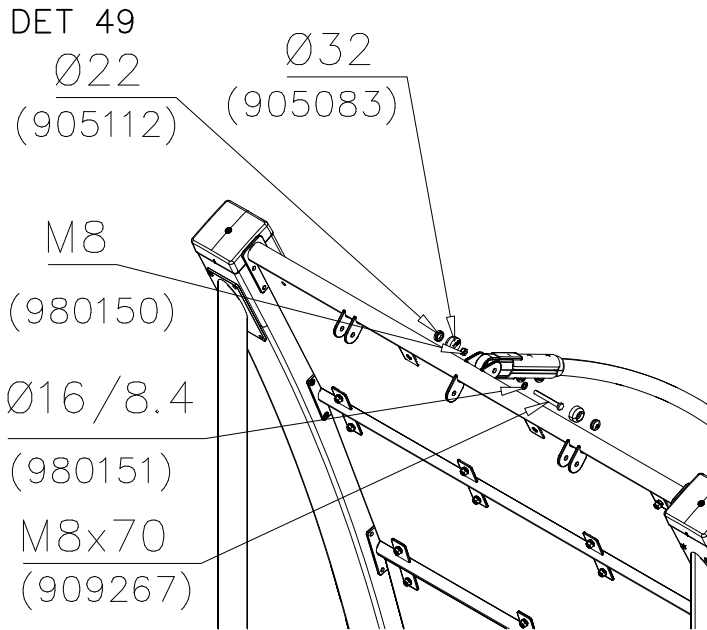
DET 41



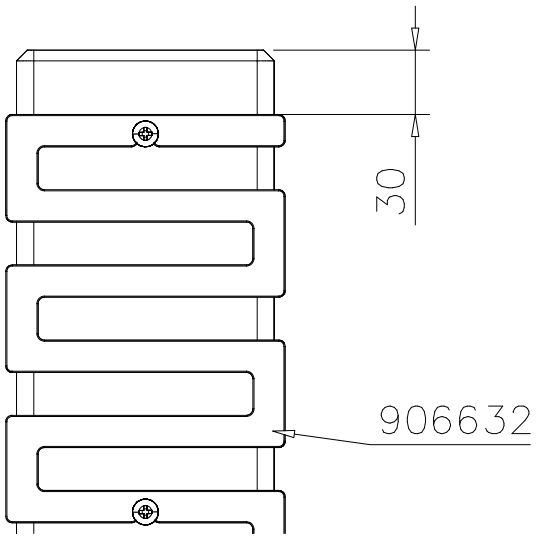
DET 42



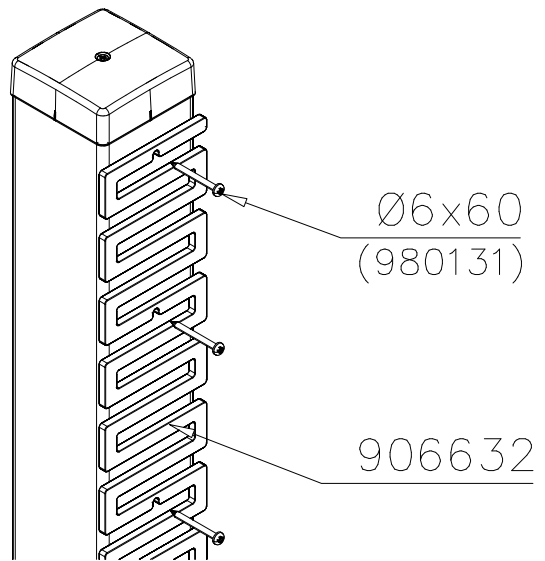




DET 55



DET 56



DET 57

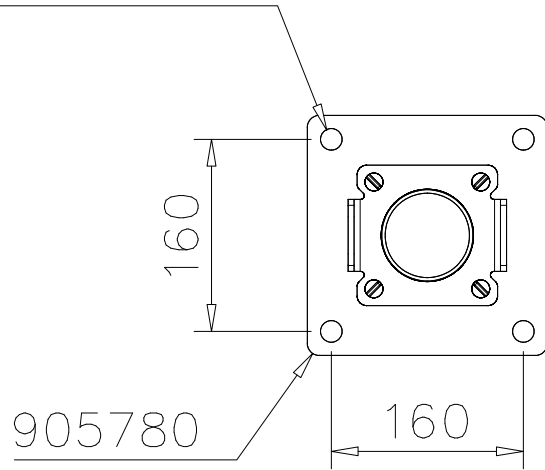
DET 58

DET 59

DET 60

DET 1

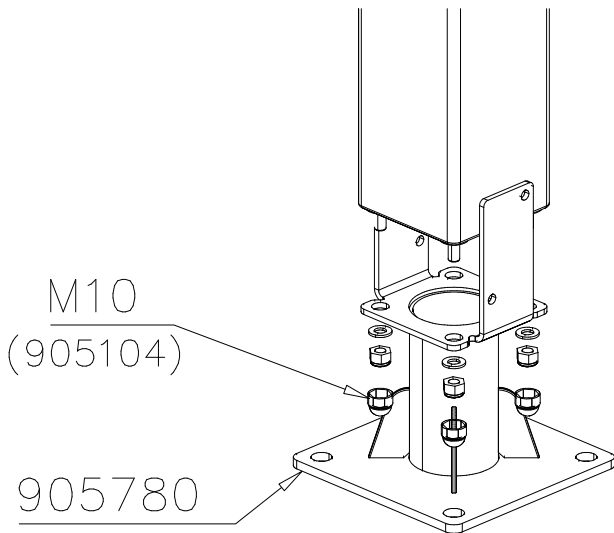
$\varnothing 16 \downarrow > 130$



DET 2



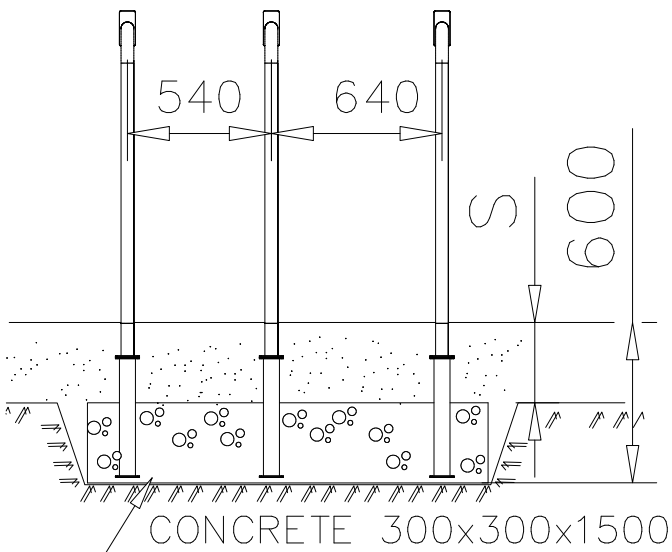
DET 3



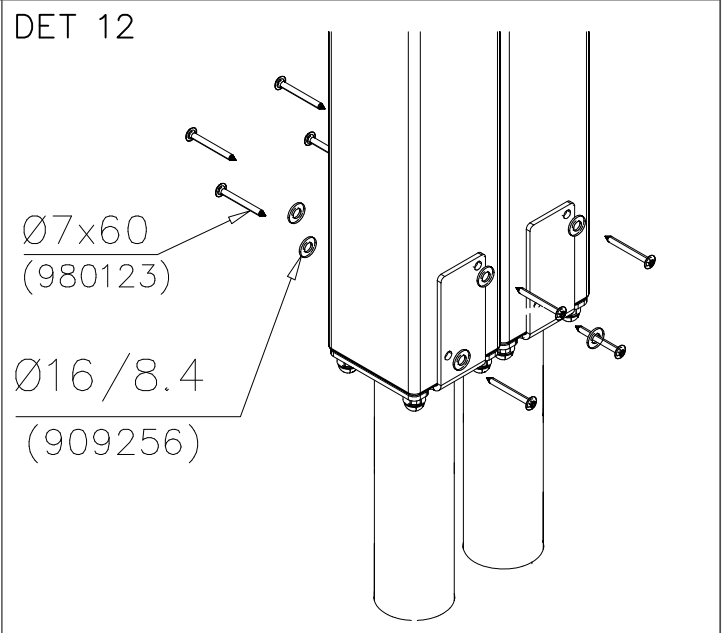
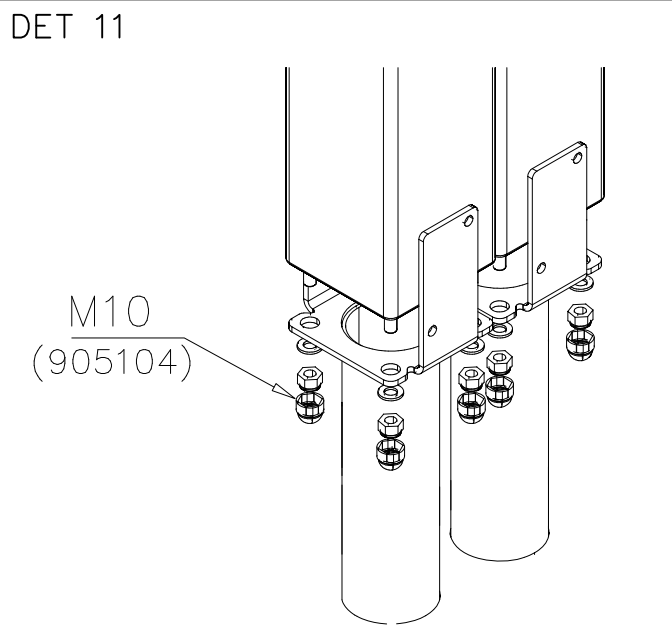
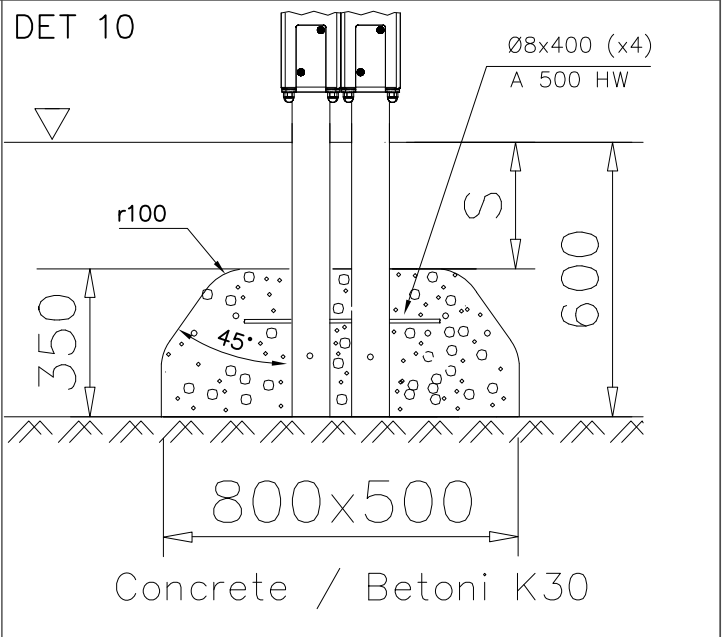
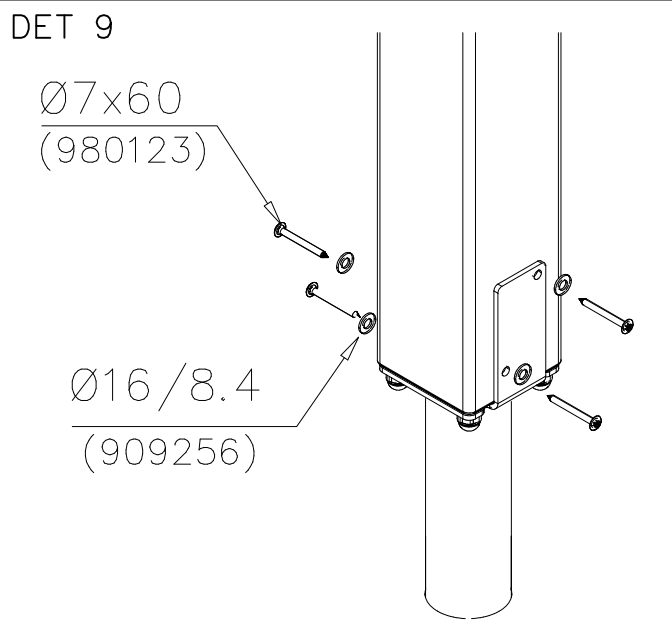
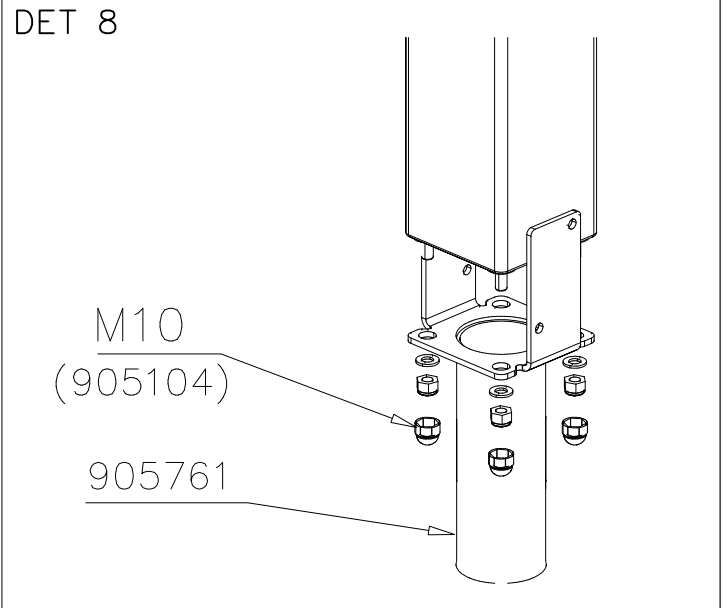
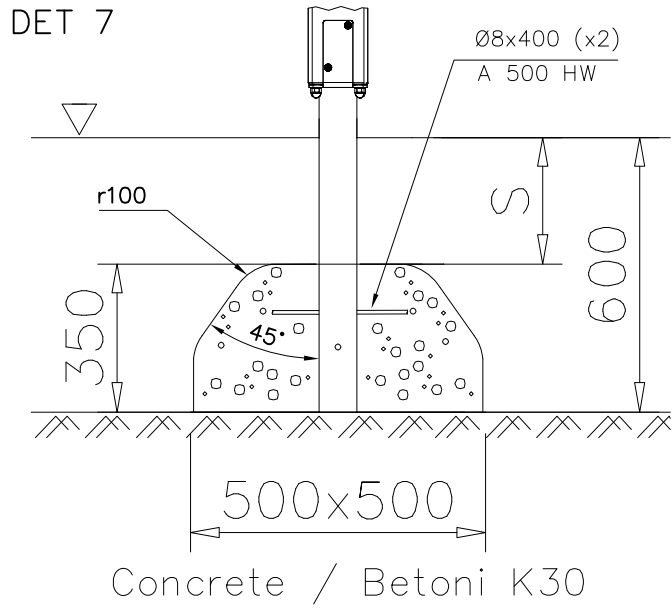
DET 4



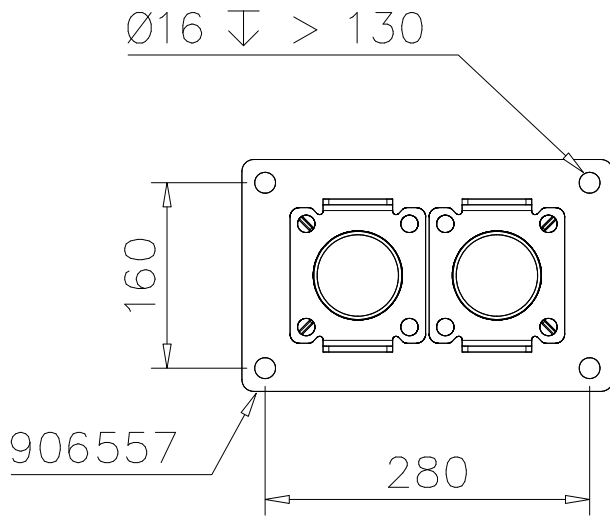
DET 5



DET 6



DET 13



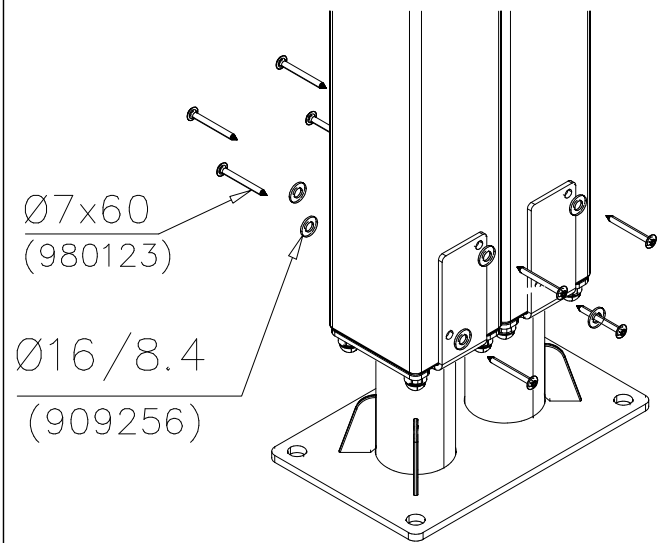
DET 14



DET 15

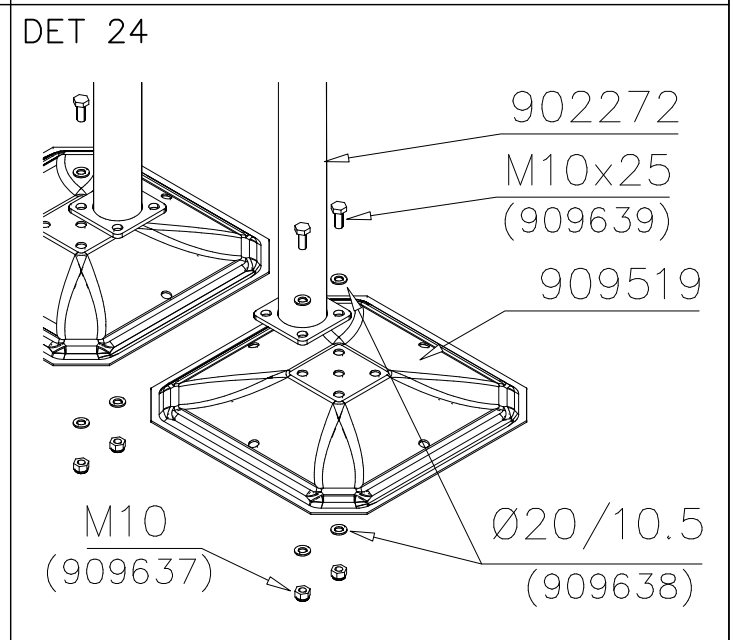
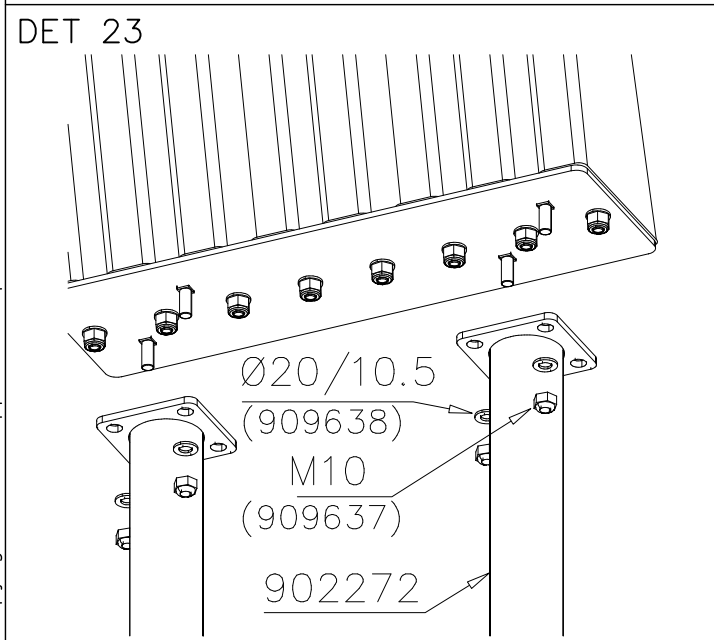
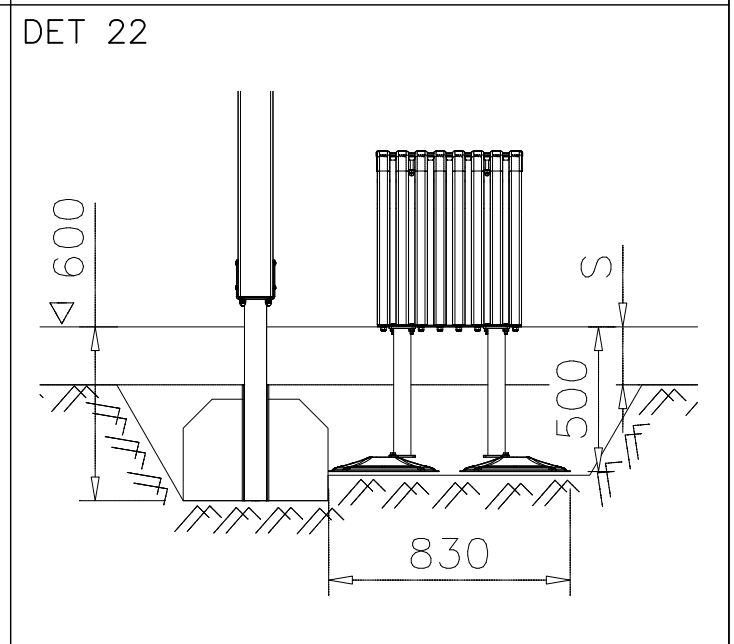
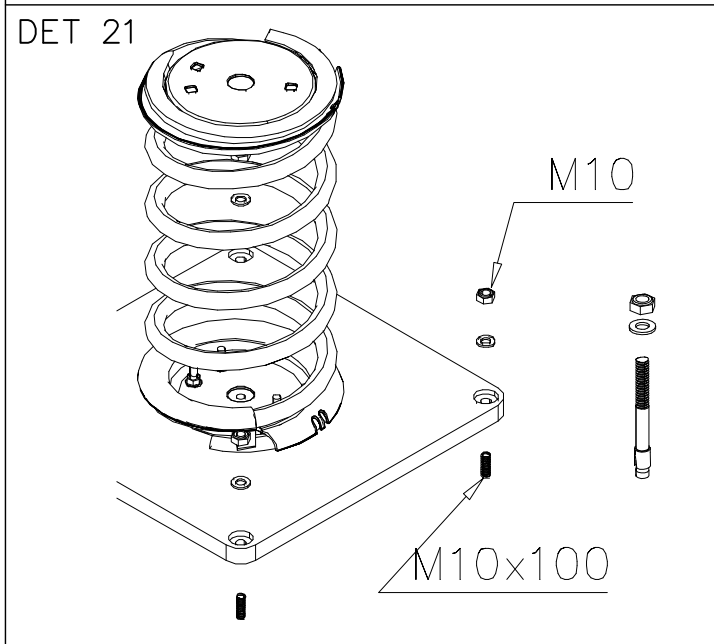
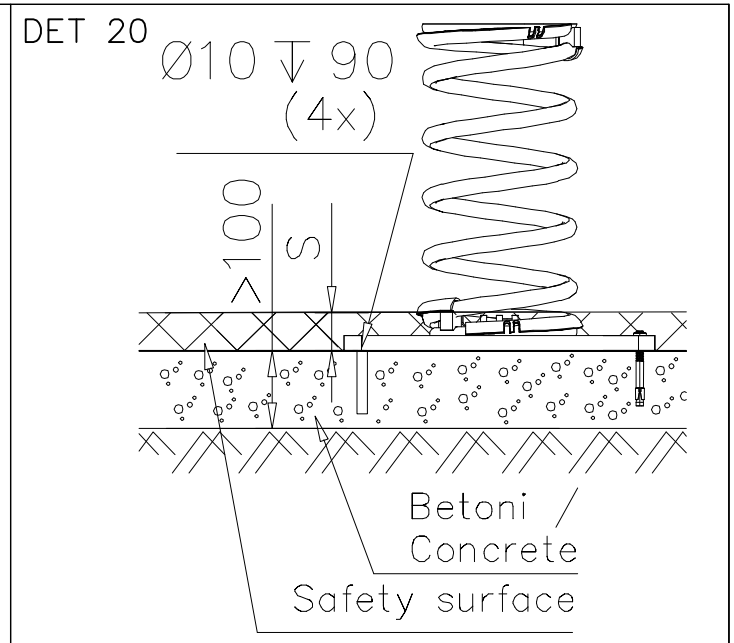
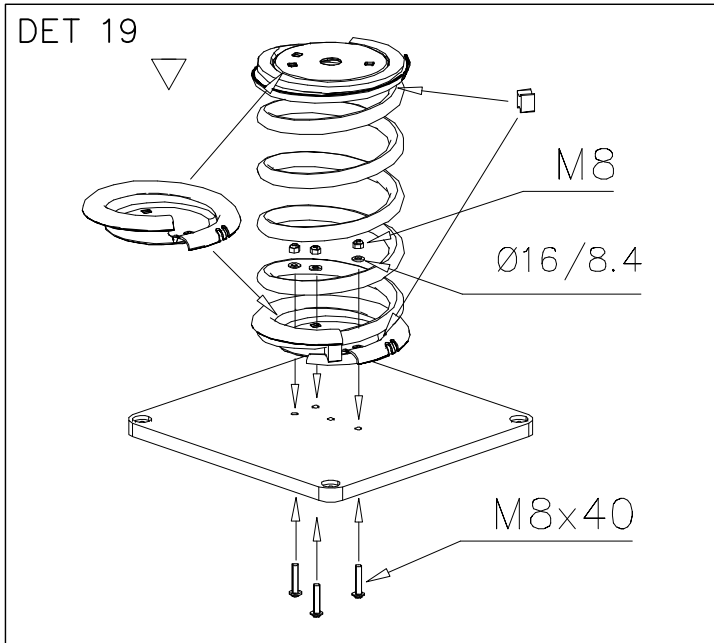


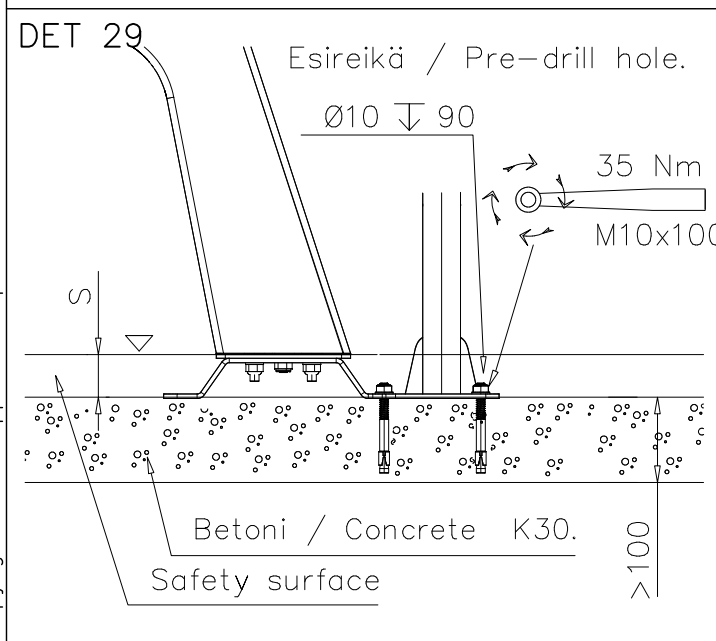
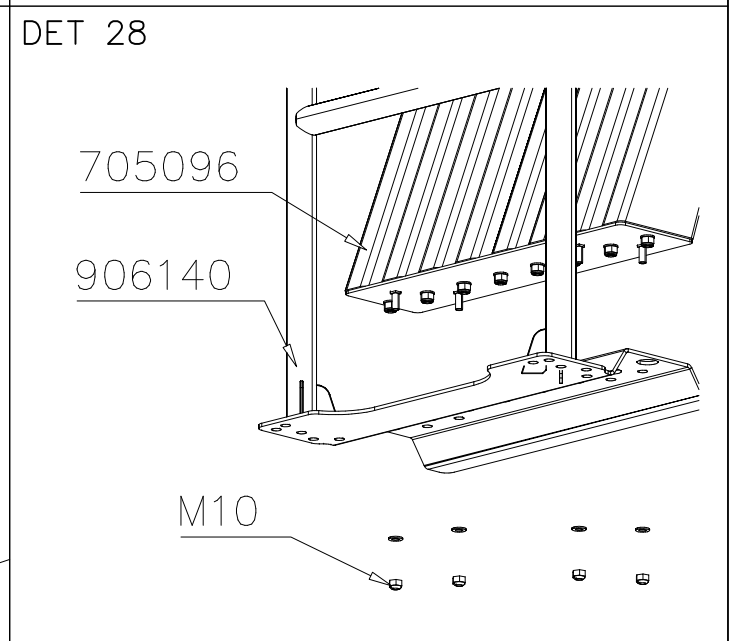
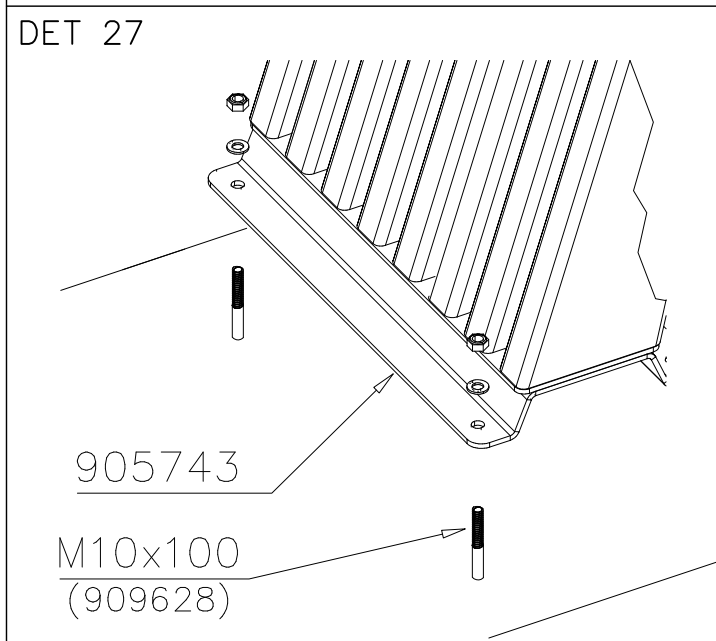
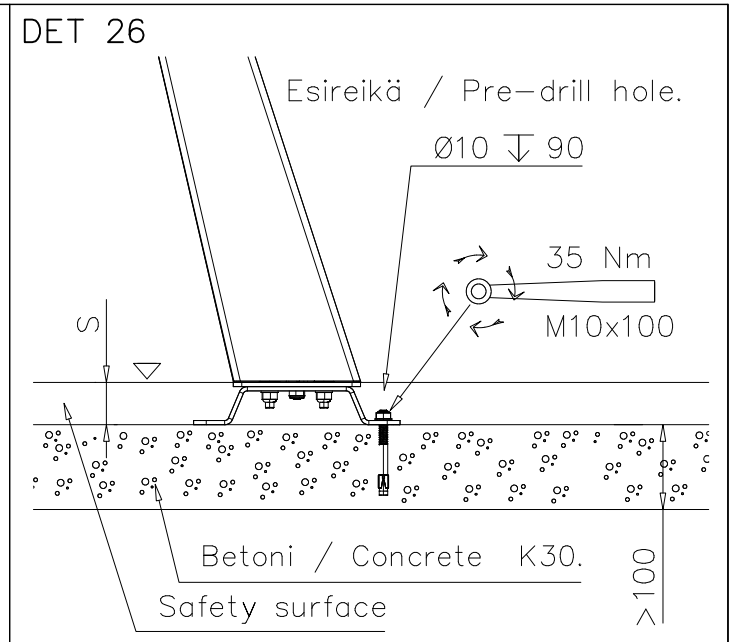
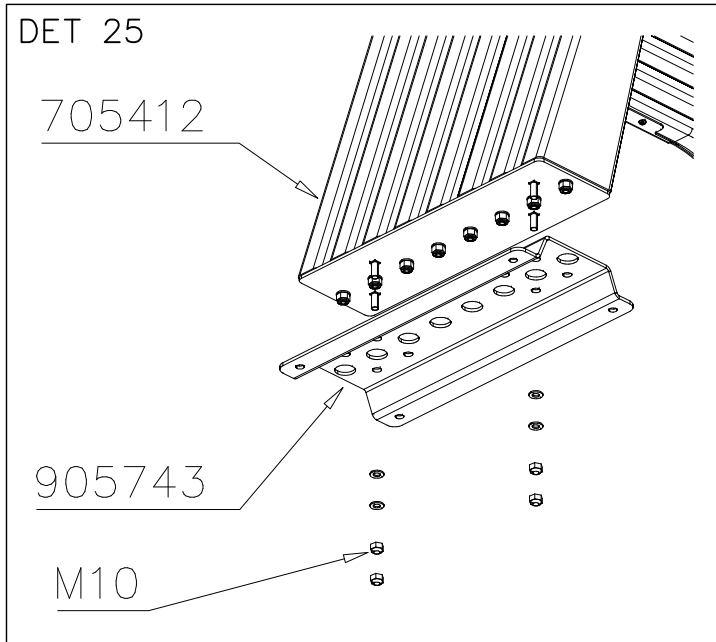
DET 16



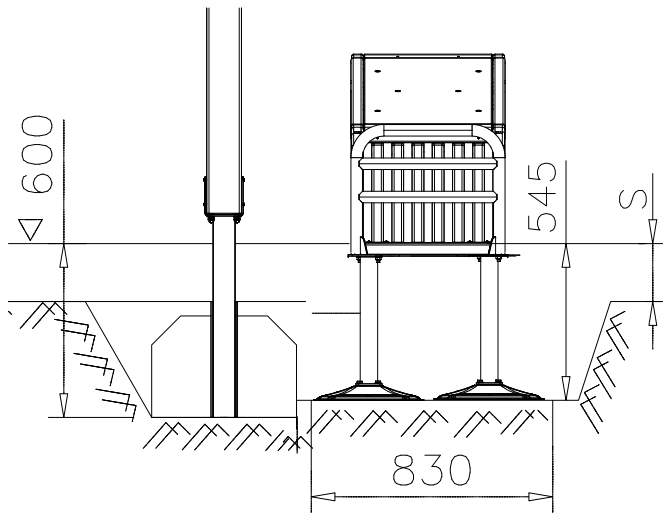
DET 17

DET 18

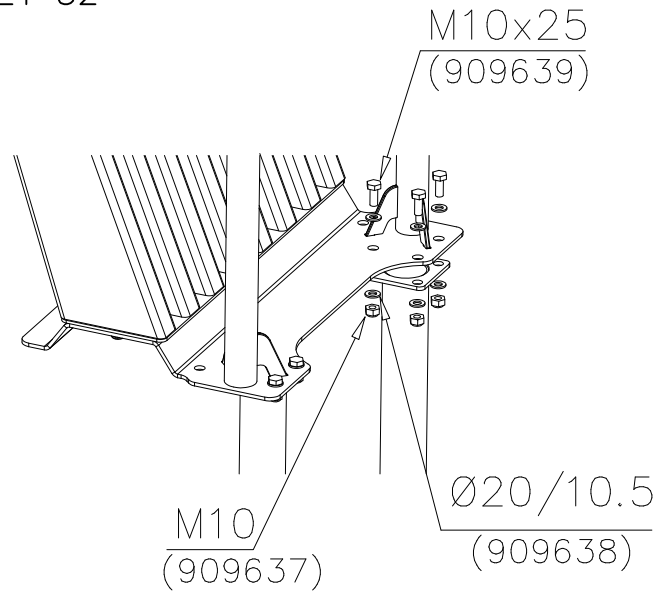




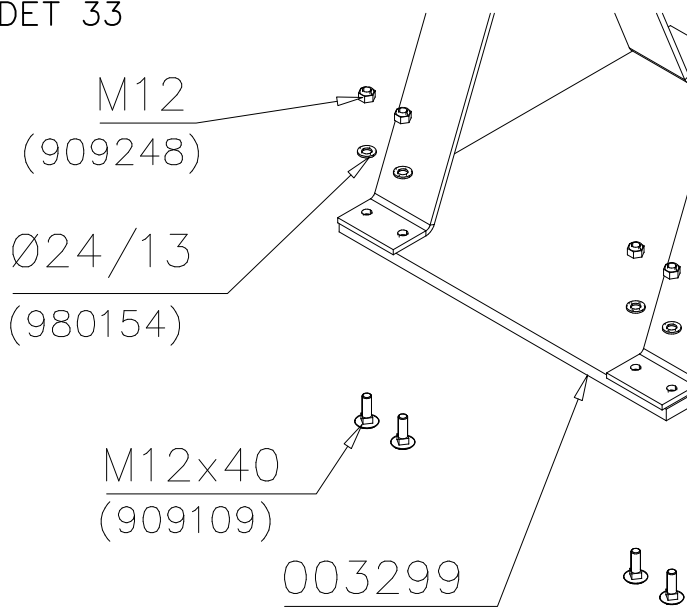
DET 31



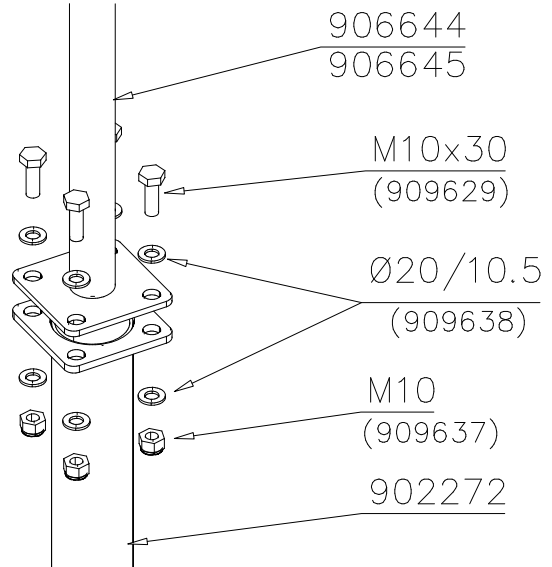
DET 32



DET 33



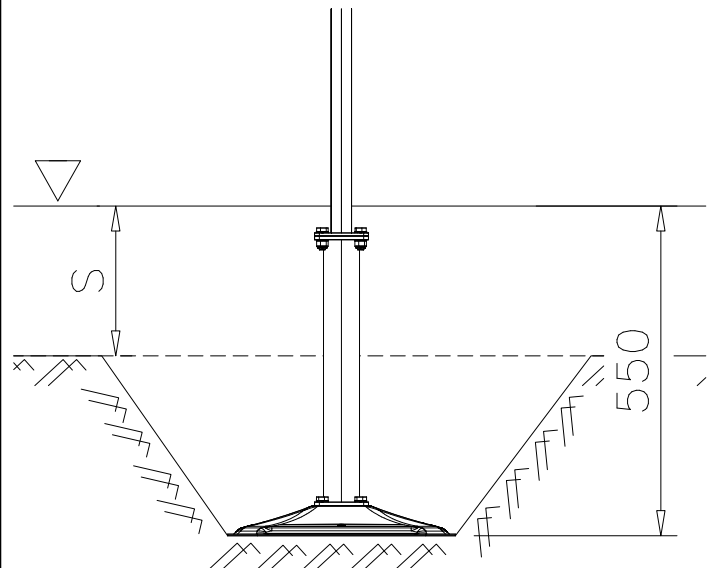
DET 34



DET 35



DET 36



DET 37



DET 38



DET 39



DET 40



DET 41



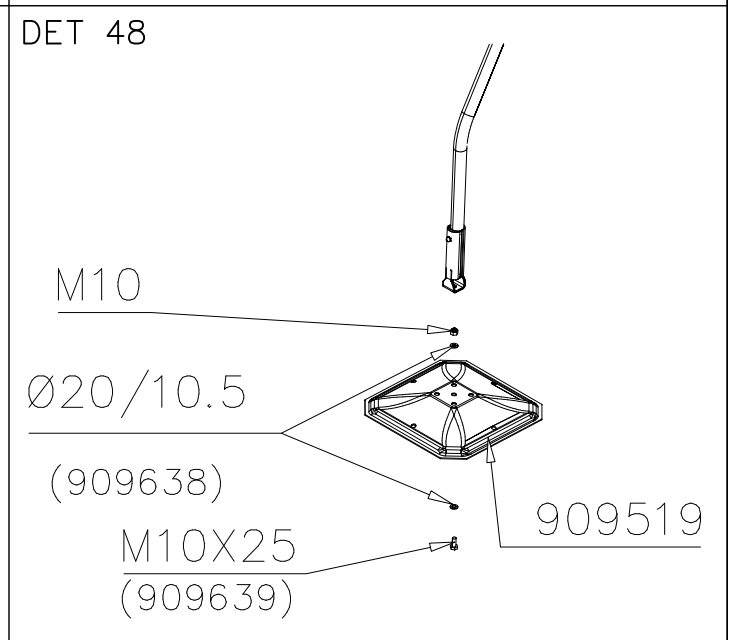
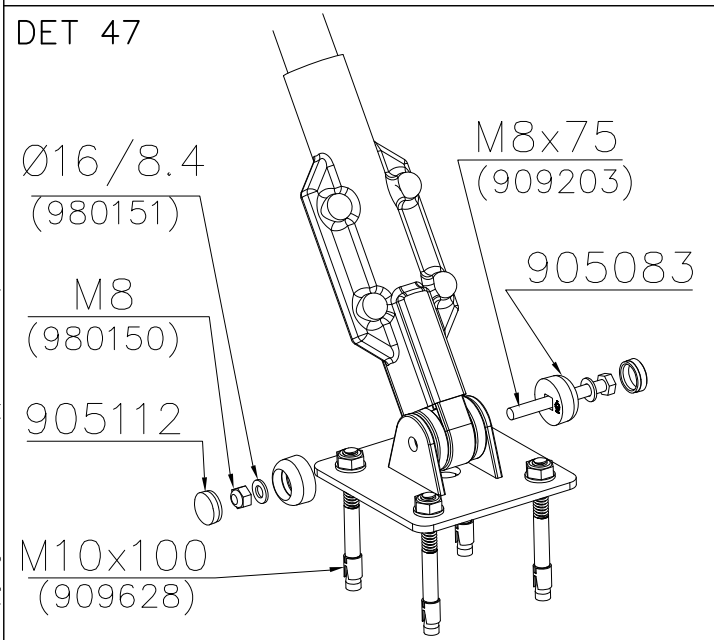
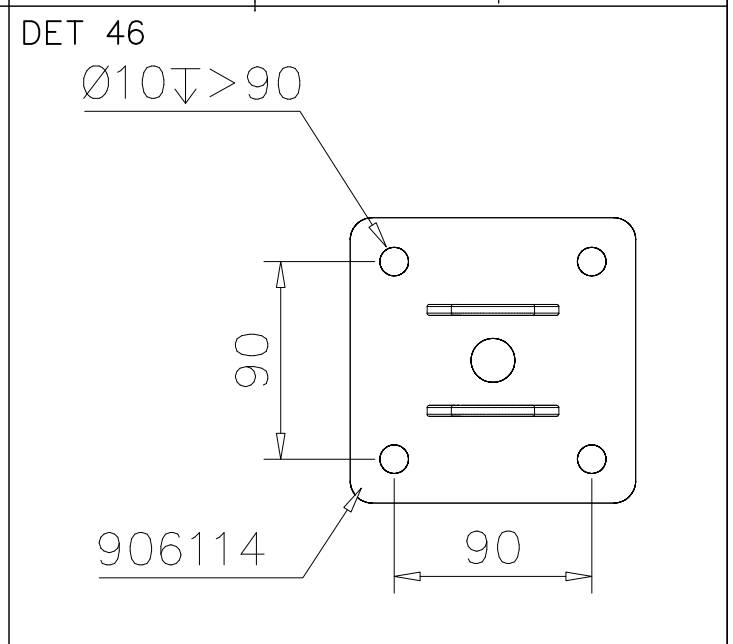
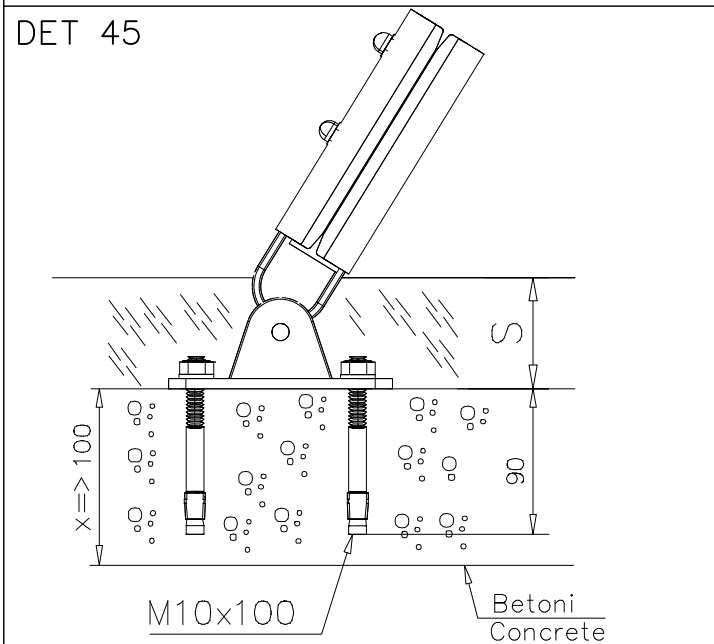
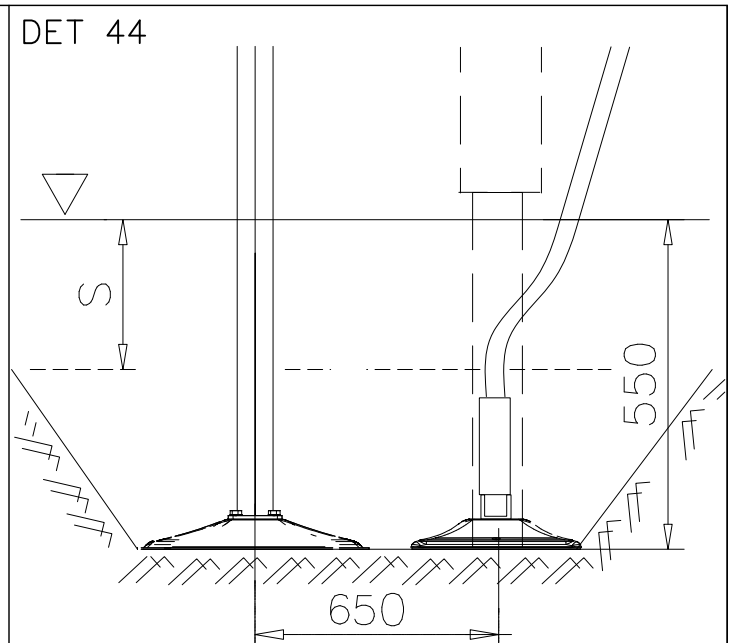
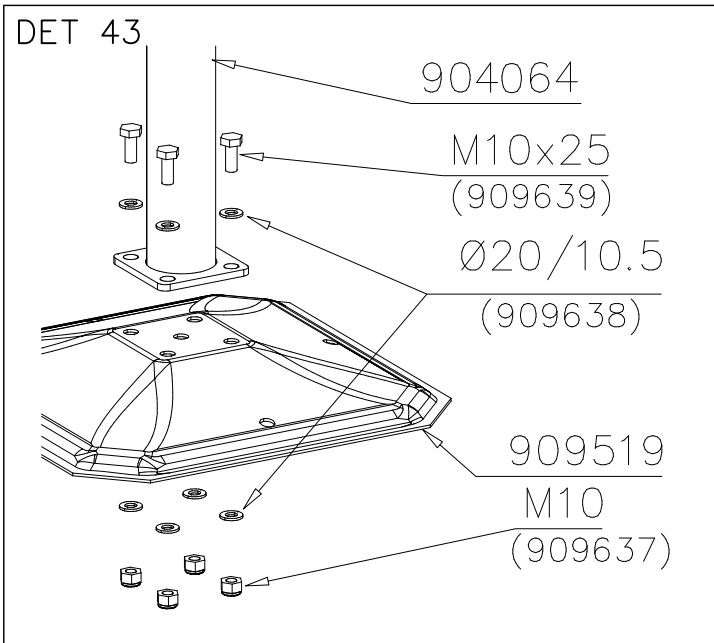
DET 42

LAPPSET SPORT

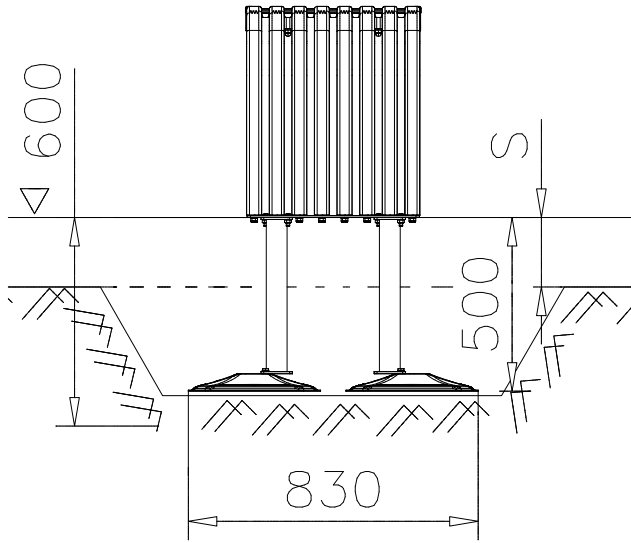
BASE

DATE: 15.8.2017

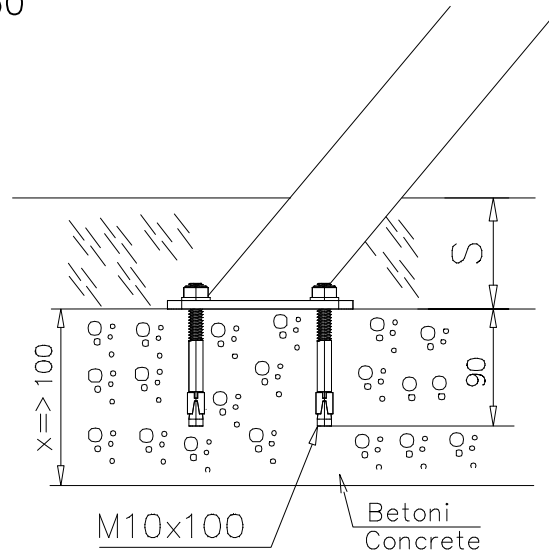
8(10)



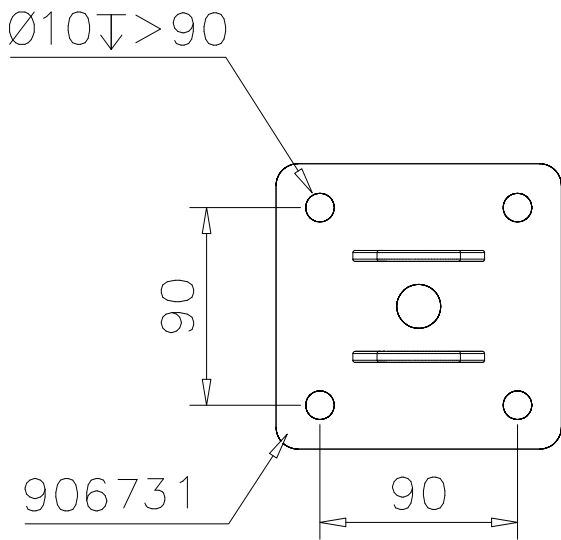
DET 49



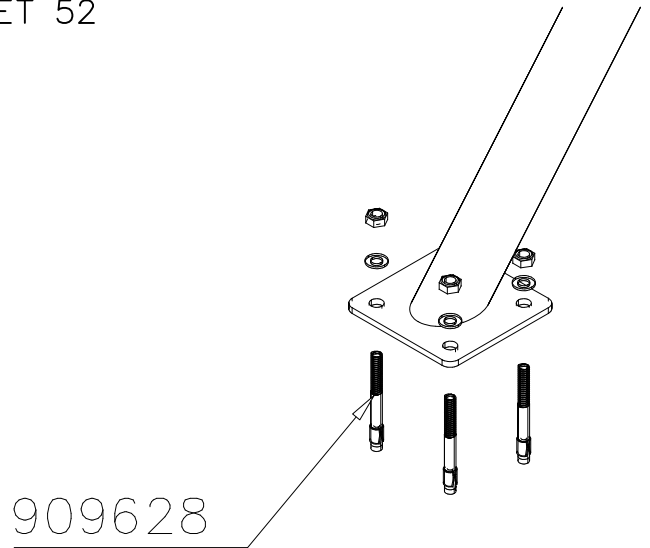
DET 50



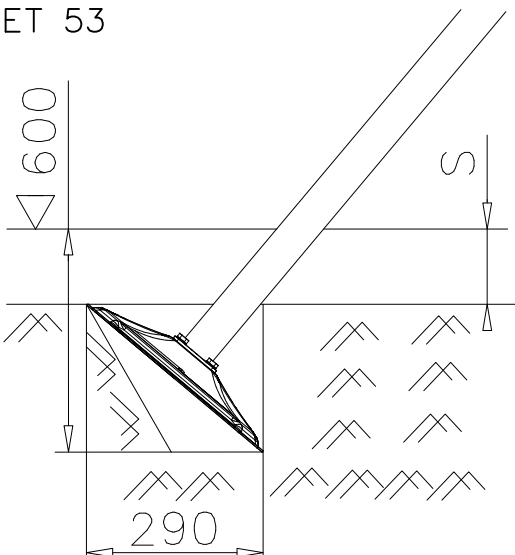
DET 51



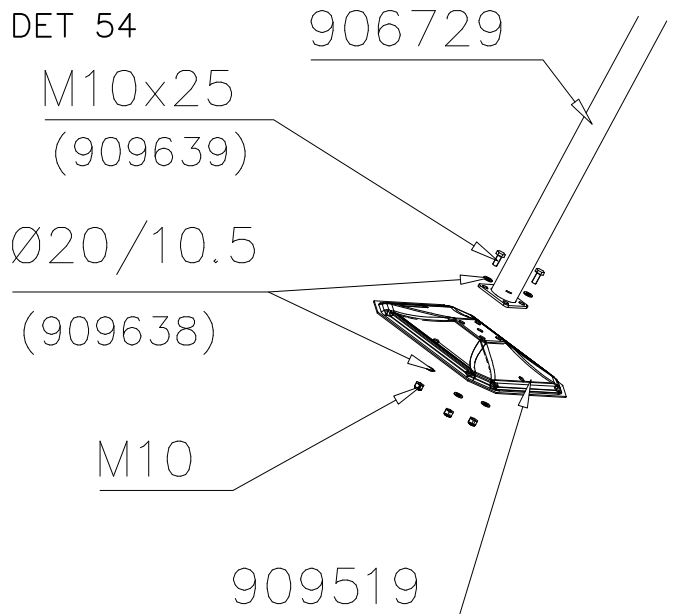
DET 52



DET 53

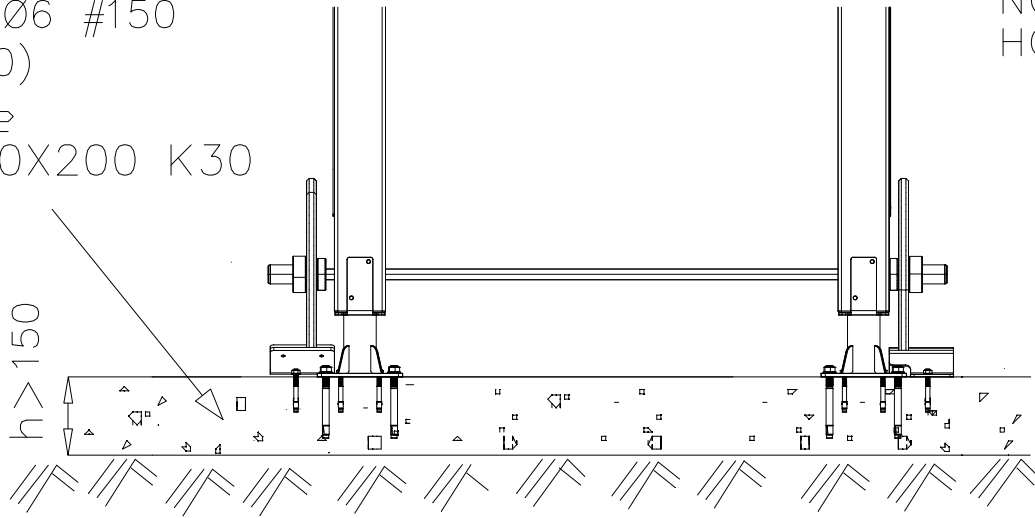


DET 54



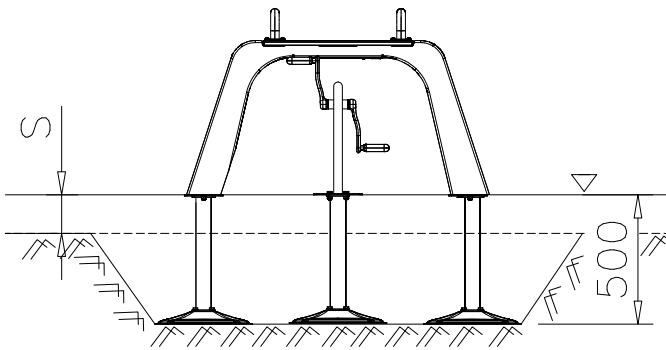
DET 55

STEELNET Ø6 #150
(1400x2100)
Concrete
1500X2200X200 K30

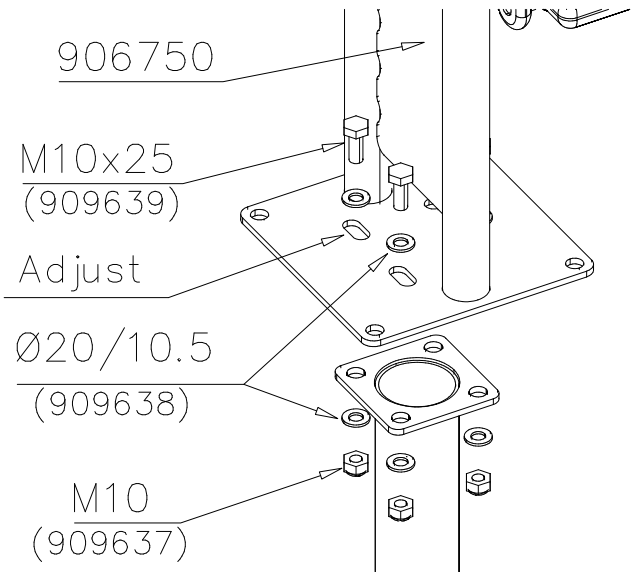


NOTE!
HOX!

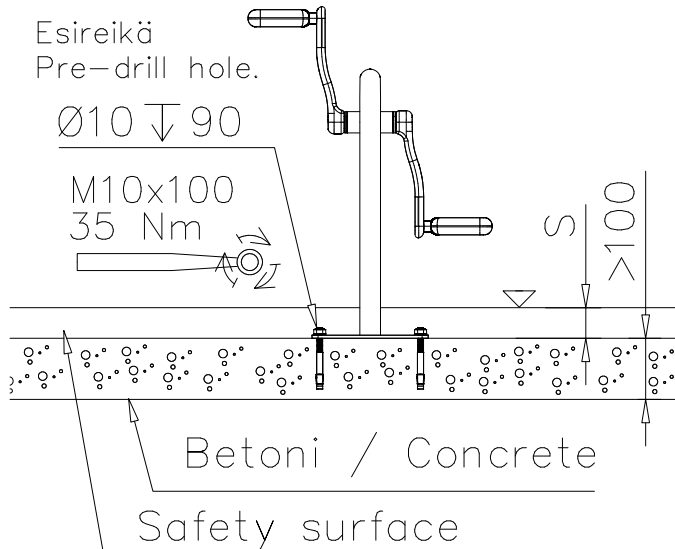
DET 56



DET 57



DET 58



DET 59

