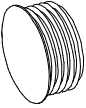
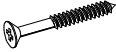
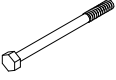






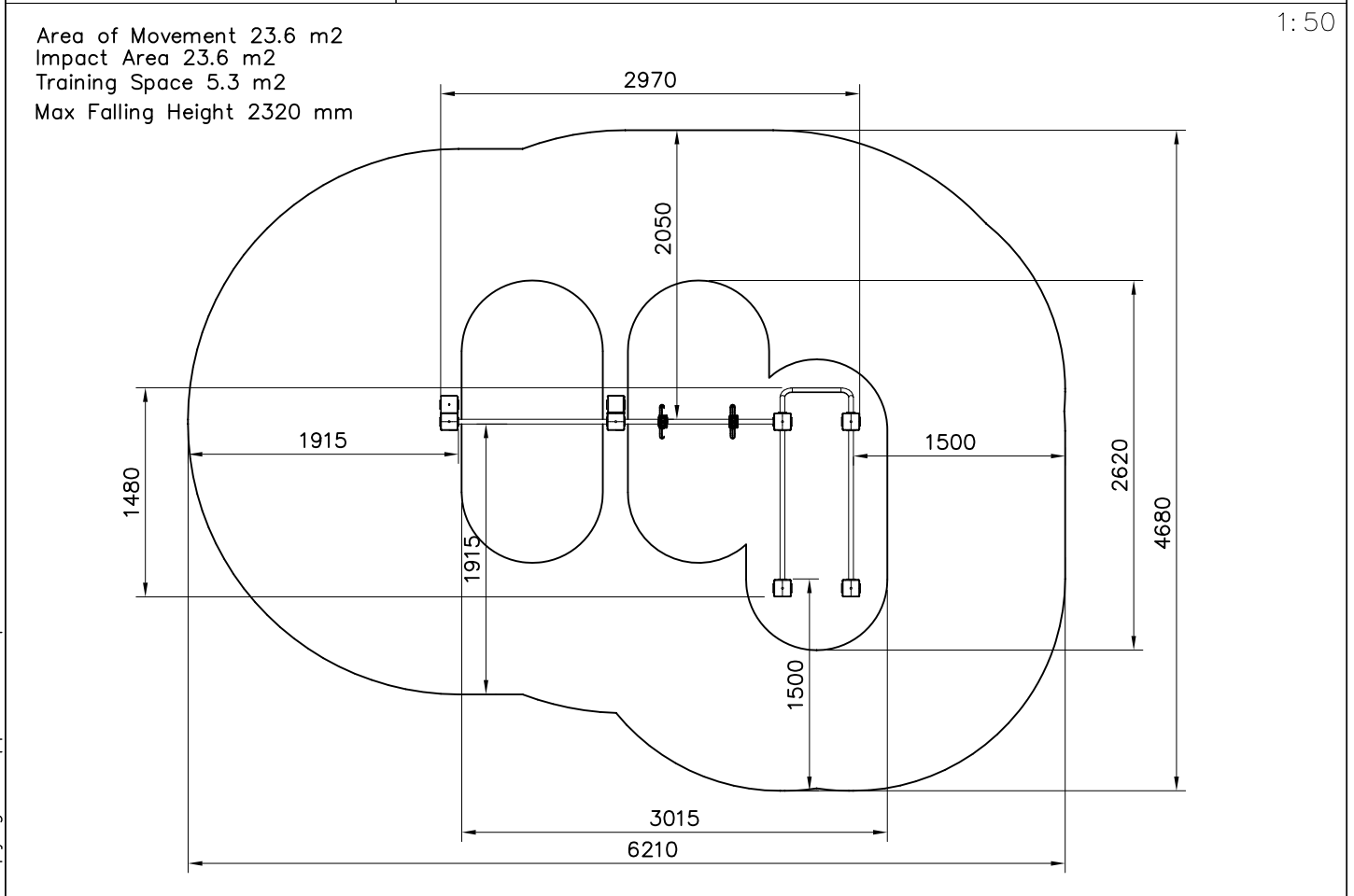
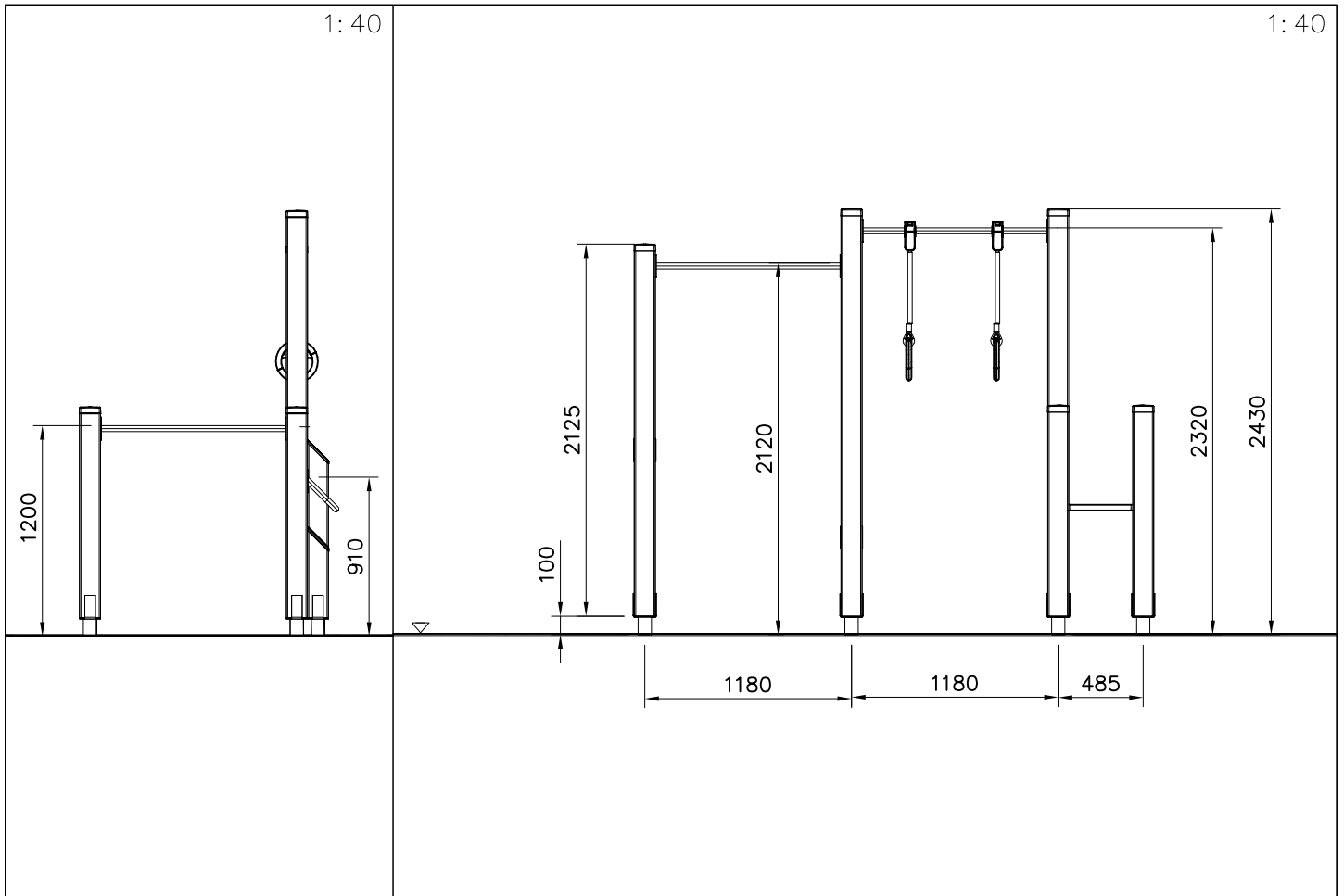


Diagram labels include: PARTS DET 1, PARTS DET 29, PARTS DET 2, PARTS DET 16, PARTS DET 43, PARTS DET 8, PARTS DET 44, BASE DET 10-12 OR 13-16, BASE DET 1-4 OR 7-9, and various part numbers in circles.

①	706034	PCS	1	②	705040	PCS	2
				Ø16x764			
③	705018	PCS	3	④	705388	PCS	1
120x120x1170				120x120x2090			
⑤	902195	PCS	4	⑥	902232	PCS	2
150x50x50				M10x55			
⑦	902233	PCS	2	⑧	706089	PCS	1
M10x30							
⑨	905104	PCS	32	⑩	905761	PCS	8
M10				120x120x700			
⑪	905830	PCS	6	⑫	905838	PCS	4
123x123x40				L=1060			
⑬	705335	PCS	1	⑭	705402	PCS	1
120x120x1000				120x120x2290			
⑮	905934	PCS	1	⑯	906006	PCS	4
L=485				Ø64/34,5x59			
⑰	706090	PCS	1	⑱	705406	PCS	1
				120x120x500			
⑲	705405	PCS	1	⑳	980104	PCS	6
120x120x500				Ø5x90			
㉑	980123	PCS	72	㉒	980161	PCS	4
Ø7x60				M10			
㉓	705320	PCS	1				
120x120x2290							



<p>②4 905103</p>  <p>PT-28/32-H</p>	<p>PCS</p> <p>4</p>	<p>②5 980100</p>  <p>Ø5x60</p>	<p>PCS</p> <p>2</p>	<p>②6 909246</p>  <p>M12x140</p>	<p>PCS</p> <p>4</p>	<p>②7 980154</p>  <p>Ø24/13</p>	<p>PCS</p> <p>4</p>	<p>②8 906583</p>  <p>126x181x14x3</p>	<p>PCS</p> <p>1</p>	<p>②9 980114</p>  <p>Ø4x20</p>	<p>PCS</p> <p>12</p>
<p>③0 909256</p>  <p>Ø16/8.4</p>	<p>PCS</p> <p>72</p>										



												
<p><b><math>h &lt; 600</math></b></p> <p>Without movement and therefore without Impact Area</p>	<p>Totally hard surfaces.</p> <p>Note. Lappset does <u>not recommend</u> totally hard surfaces at all.</p>	<p>E.g. concrete or asphalt</p> 										
<p><b><math>h &lt; 600</math></b></p> <p>With movement e.g. rocking</p>	<p>Materials with very limited impact attenuating properties.</p>	<p>E.g. wood</p> 										
<p><b><math>h &lt; 1000</math></b></p>	<p>Materials with significant impact attenuating properties.</p>	<p>fine gravel 0–8 mm</p>  <p>grass</p>  <p>unsorted sand</p> 										
<p><b><math>h &lt; 3000</math></b></p>	<p>Loose fill material</p> <p>E.g. sand/gravel 0,25...8 mm D60/D10&lt;3,0 Woodchips 5...30 mm bark 20...80 mm</p>	 <table data-bbox="1024 1691 1332 1792"> <tr> <td><math>\underline{S}</math></td> <td><math>\underline{h}</math></td> </tr> <tr> <td>30 cm</td> <td>&lt; 2,0 m</td> </tr> <tr> <td>40 cm</td> <td>&lt; 3,0 m</td> </tr> </table>	$\underline{S}$	$\underline{h}$	30 cm	< 2,0 m	40 cm	< 3,0 m				
$\underline{S}$	$\underline{h}$											
30 cm	< 2,0 m											
40 cm	< 3,0 m											
	<p>Syntethic granulates</p> <table data-bbox="406 1892 758 2060"> <tr> <td><math>\underline{S}</math></td> <td><math>\underline{h}</math></td> </tr> <tr> <td>40 mm</td> <td>~&gt; 1,2...1,3 m</td> </tr> <tr> <td>50 mm</td> <td>~&gt; 1,5...1,7 m</td> </tr> <tr> <td>60 mm</td> <td>~&gt; 1,8...2,0 m</td> </tr> <tr> <td>70 mm</td> <td>~&gt; 2,1...2,5 m</td> </tr> </table> <p>Note. For accurate values, see manufacturer's instructions.</p>	$\underline{S}$	$\underline{h}$	40 mm	~> 1,2...1,3 m	50 mm	~> 1,5...1,7 m	60 mm	~> 1,8...2,0 m	70 mm	~> 2,1...2,5 m	
$\underline{S}$	$\underline{h}$											
40 mm	~> 1,2...1,3 m											
50 mm	~> 1,5...1,7 m											
60 mm	~> 1,8...2,0 m											
70 mm	~> 2,1...2,5 m											

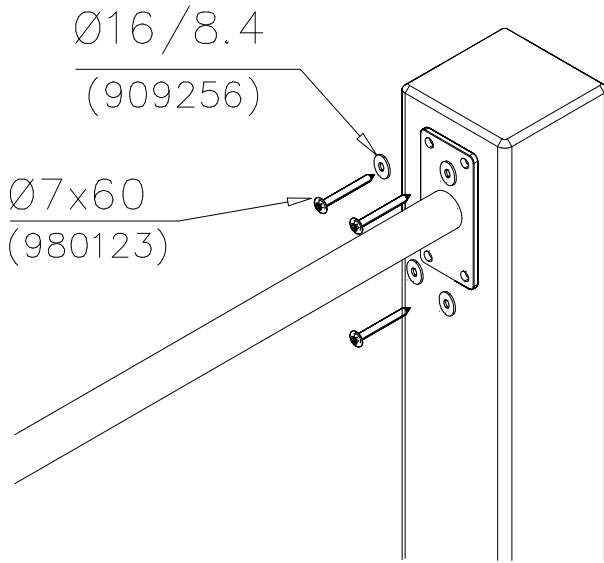
REMOVE SAFETY SURFACE/SAND/GRAVEL  
TO CHECK FOUNDATION



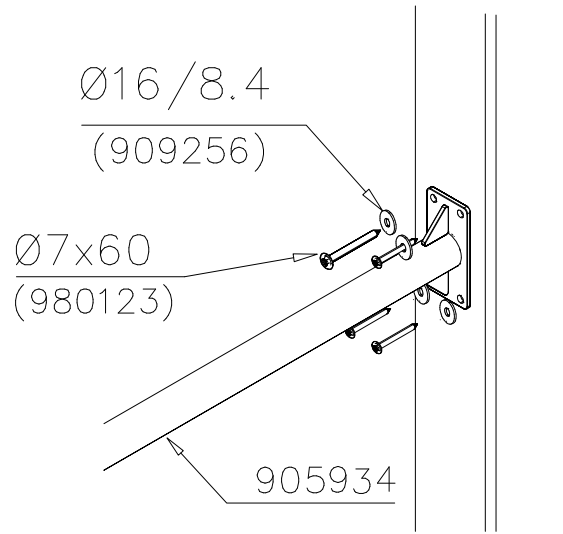
REMOVE SAFETY SURFACE/SAND/GRAVEL  
TO CHECK FOUNDATION



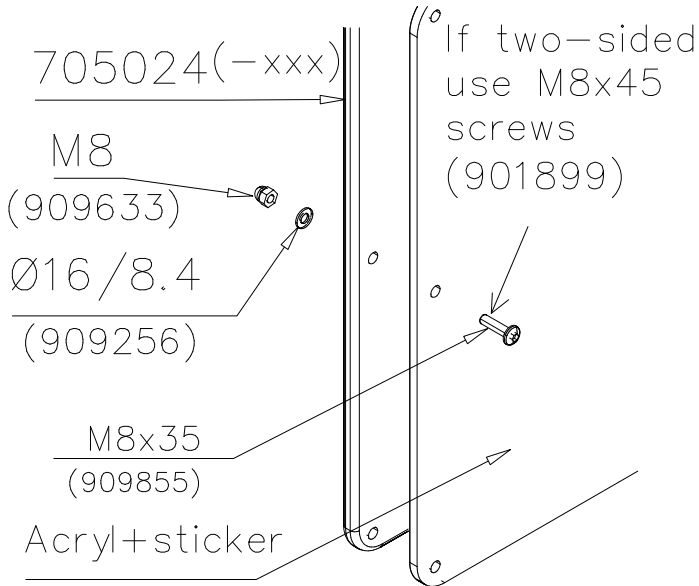
DET 1



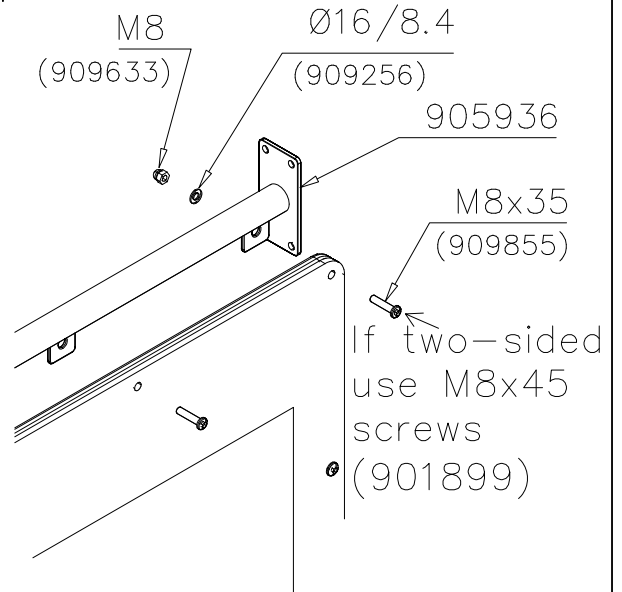
DET 2



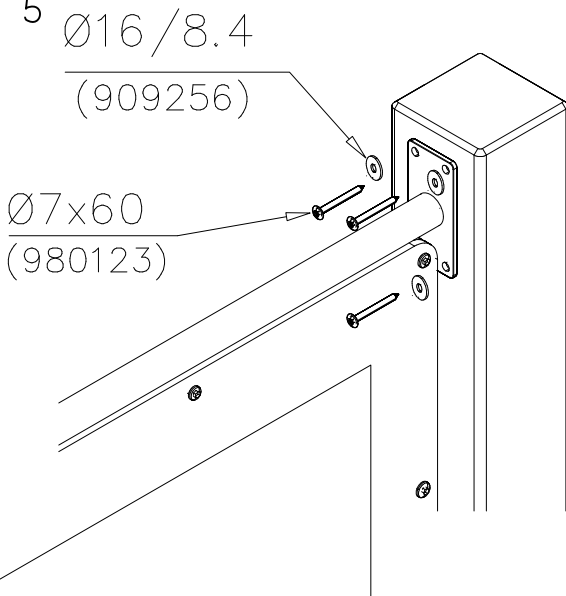
DET 3



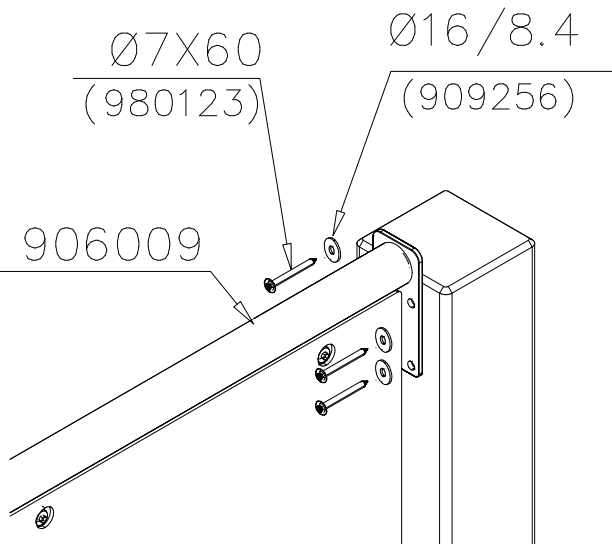
DET 4

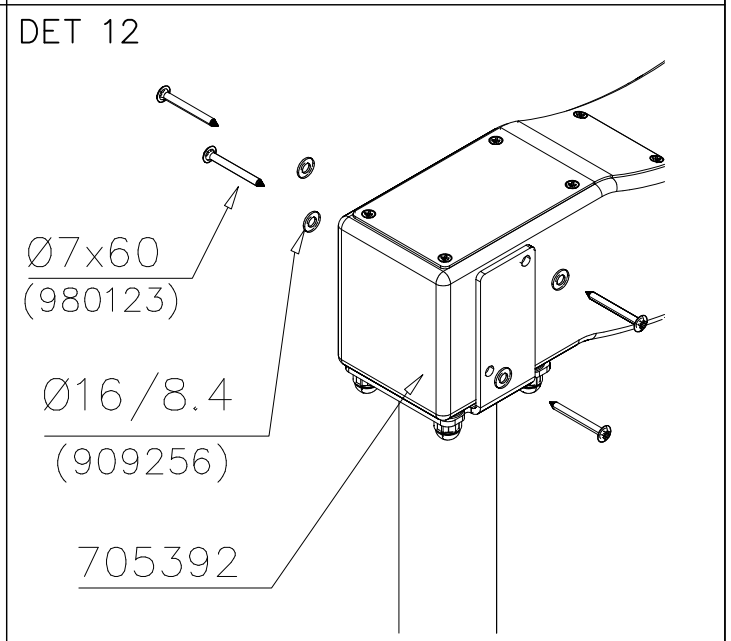
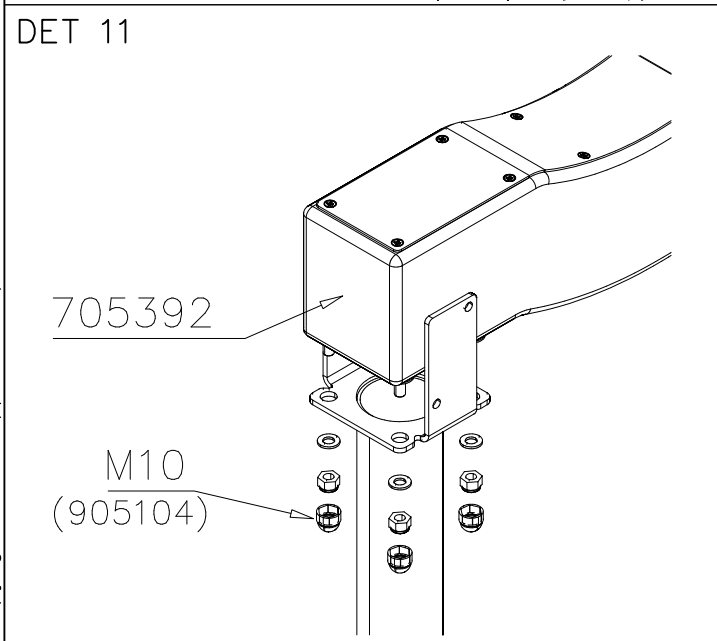
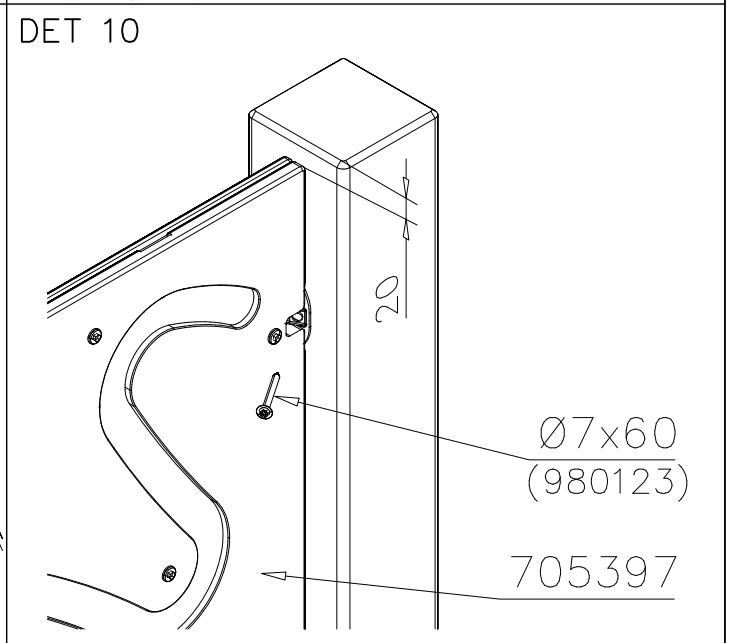
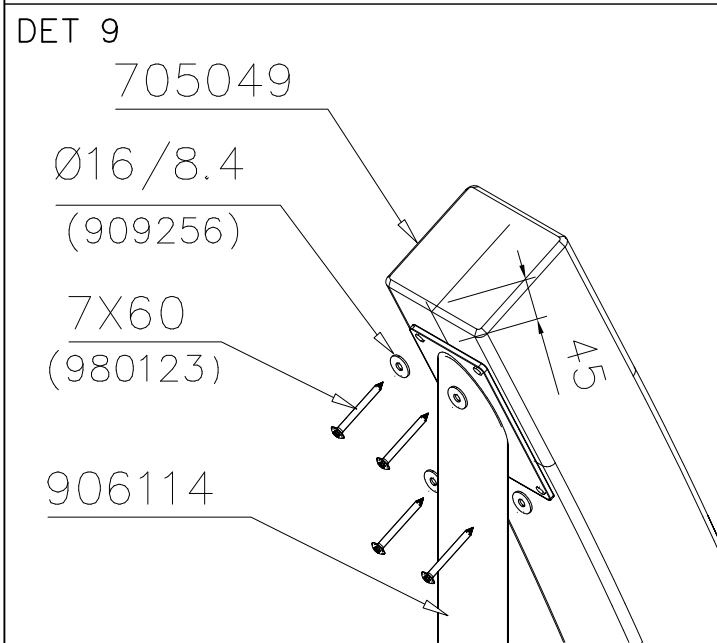
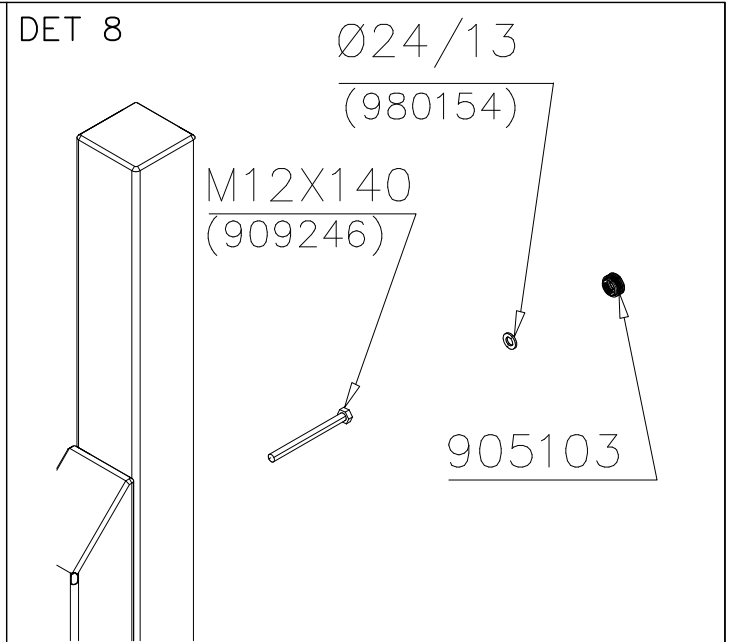
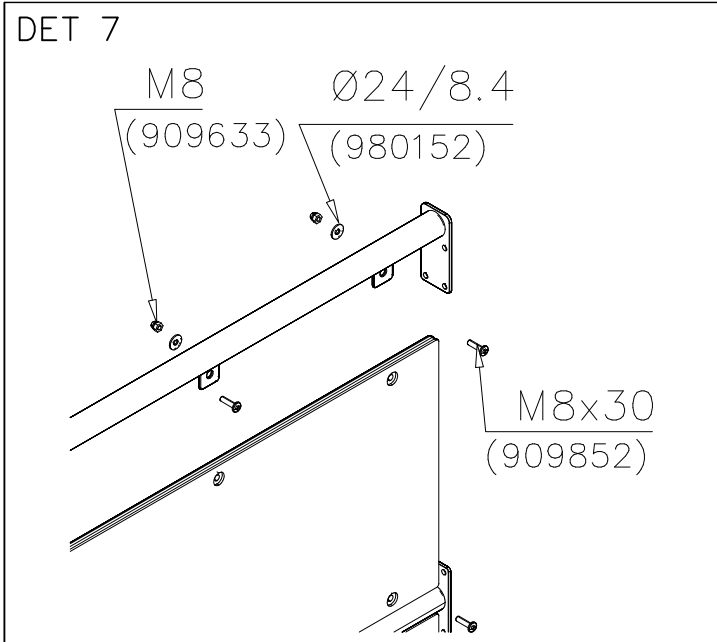


DET 5

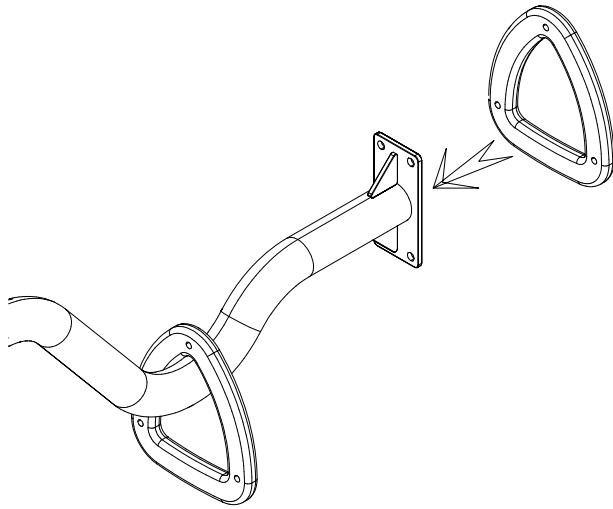


DET 6

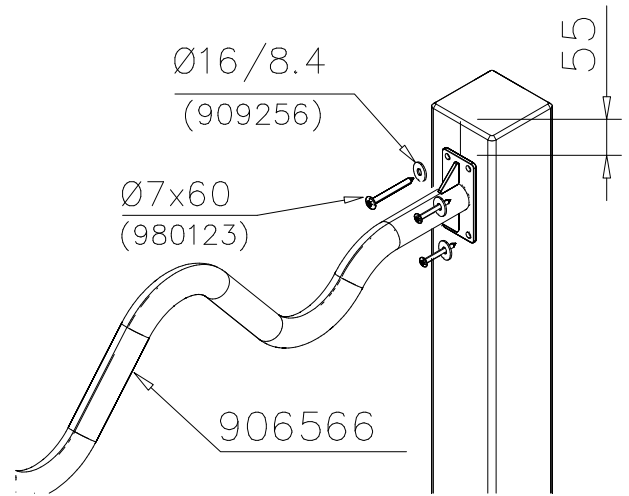




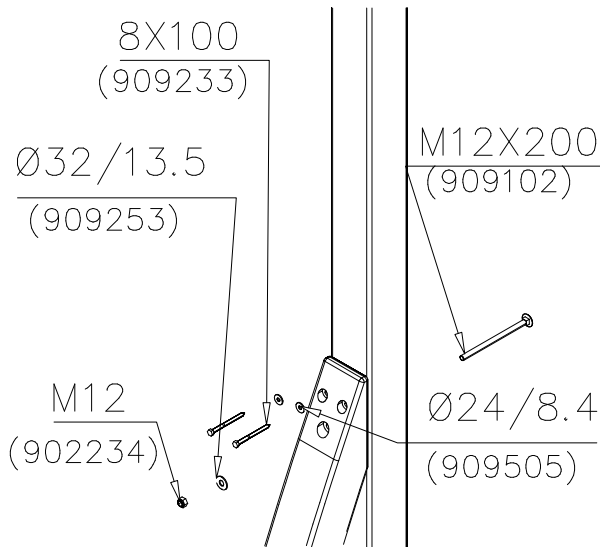
DET 13



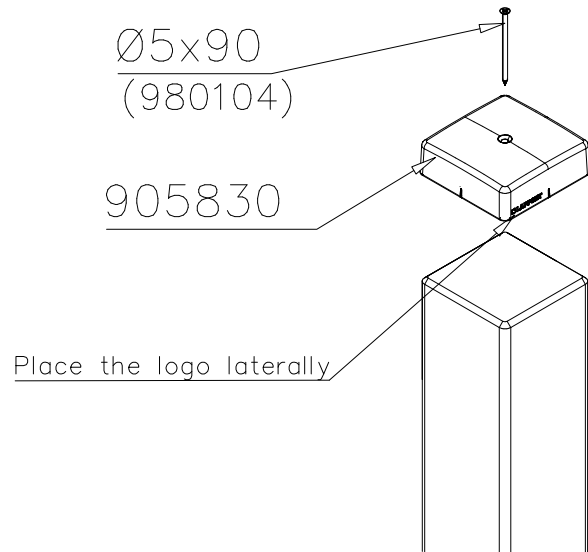
DET 14



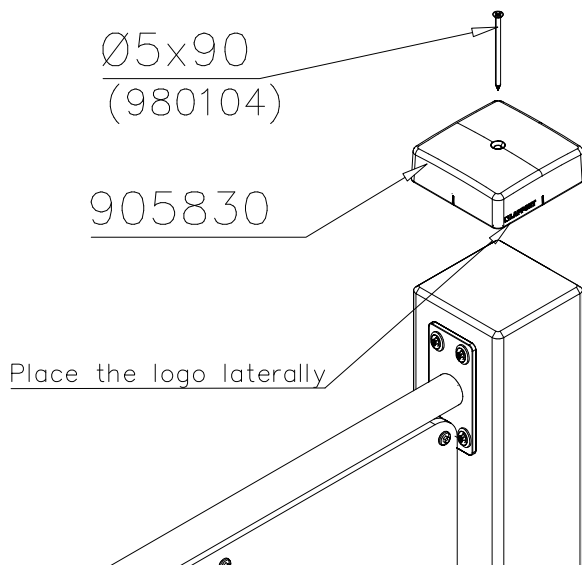
DET 15



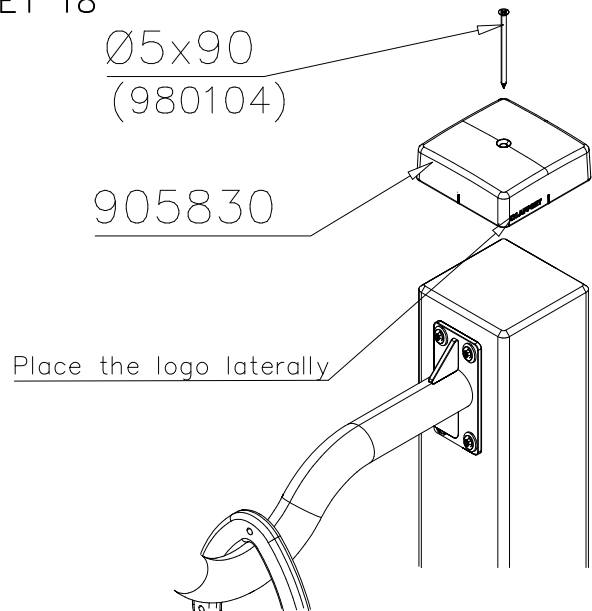
DET 16



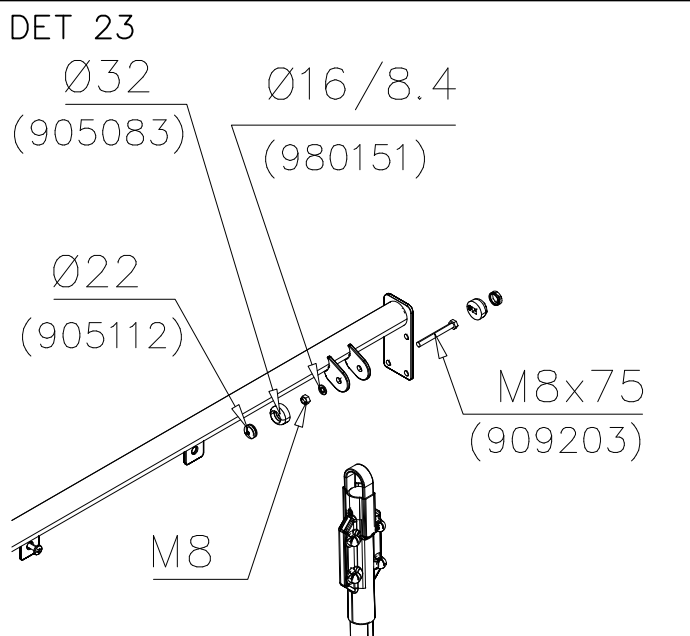
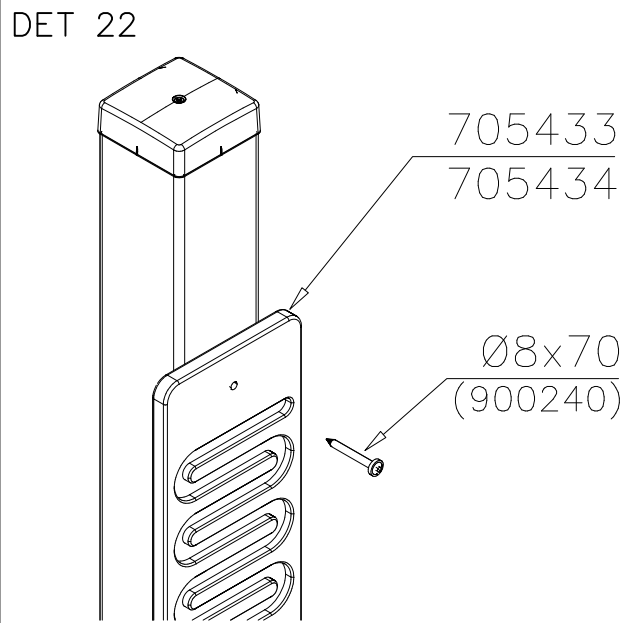
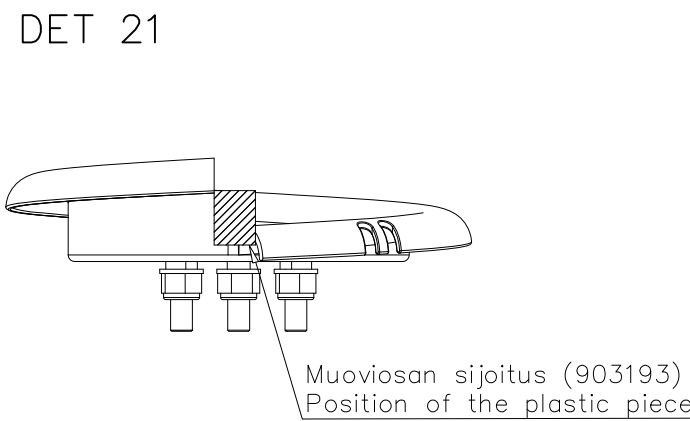
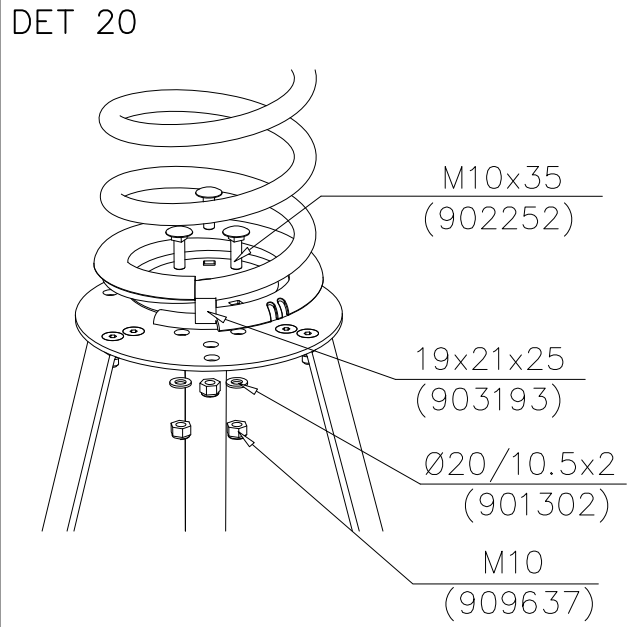
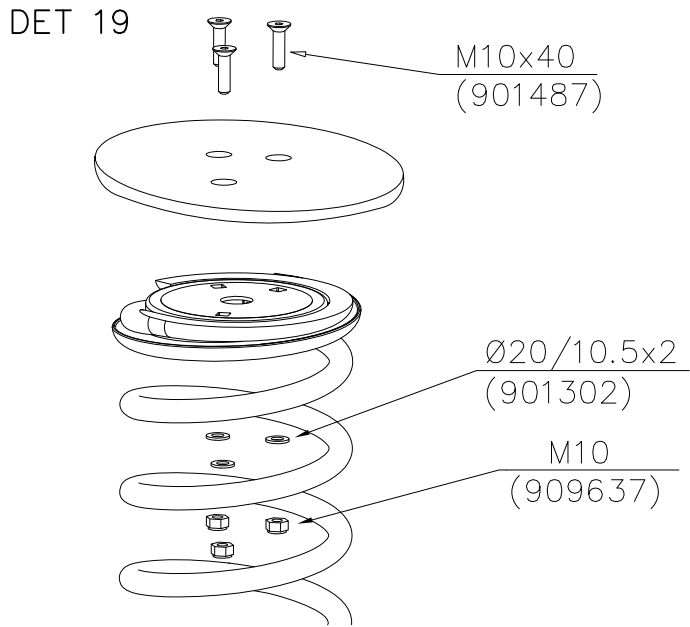
DET 17

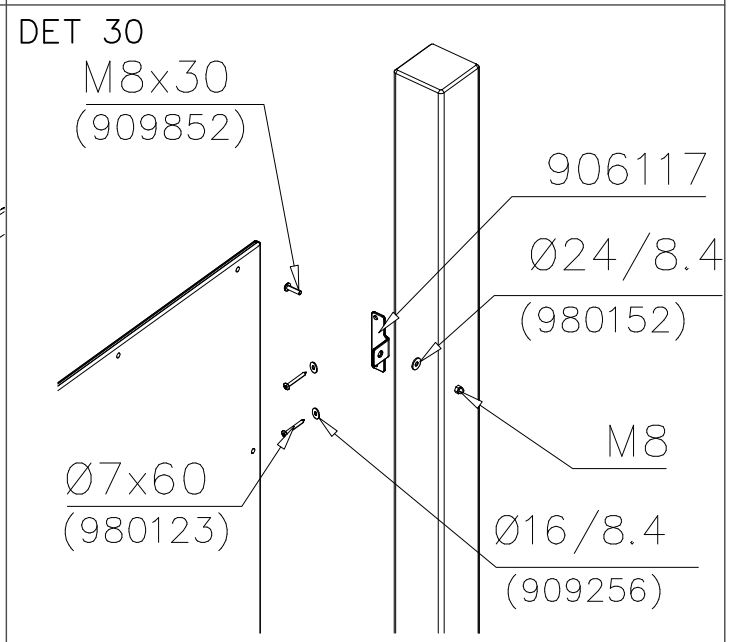
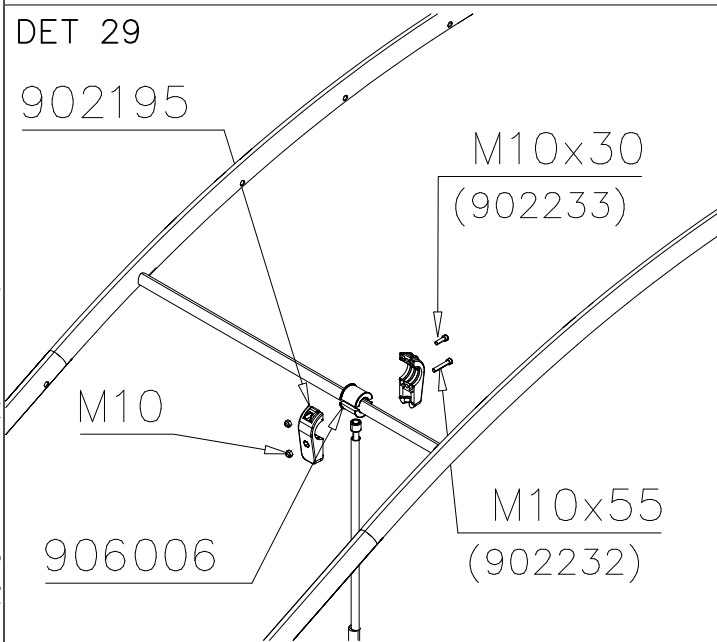
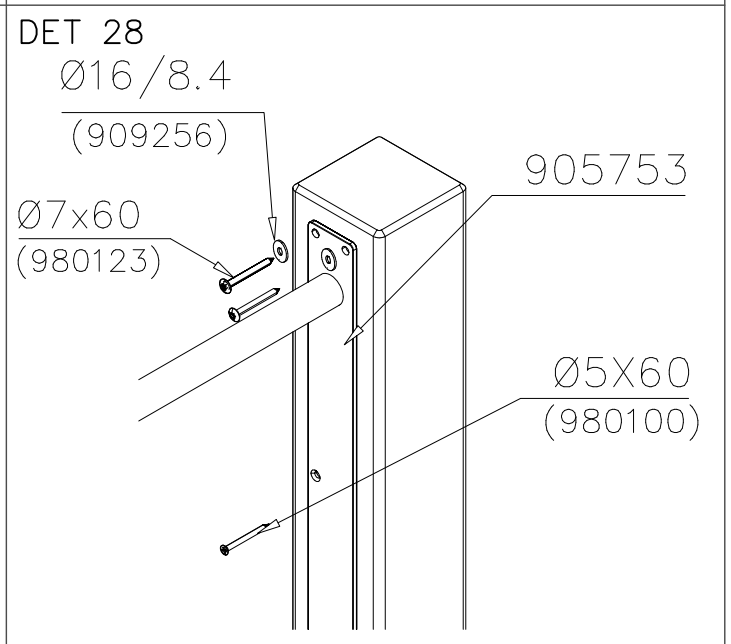
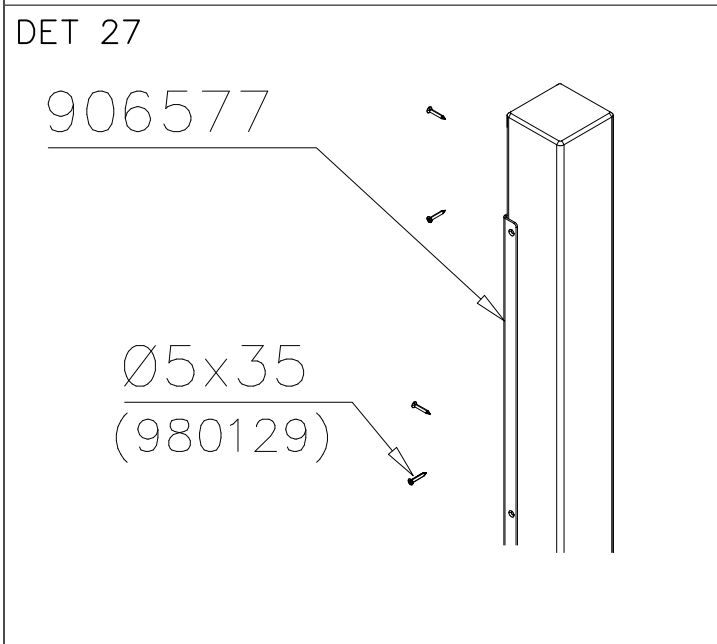
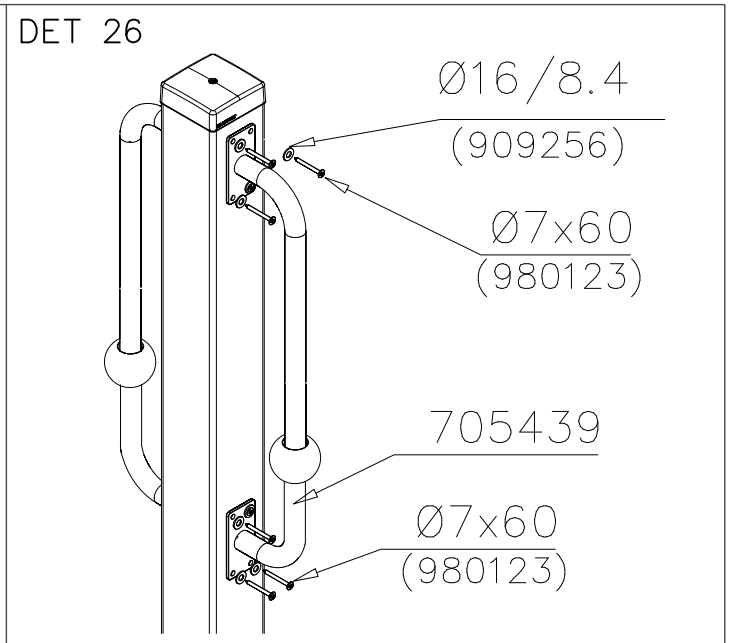
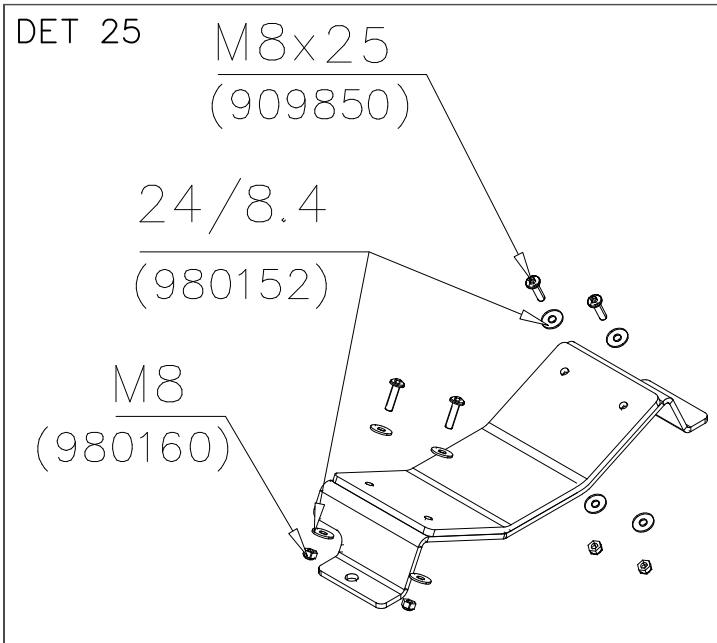


DET 18

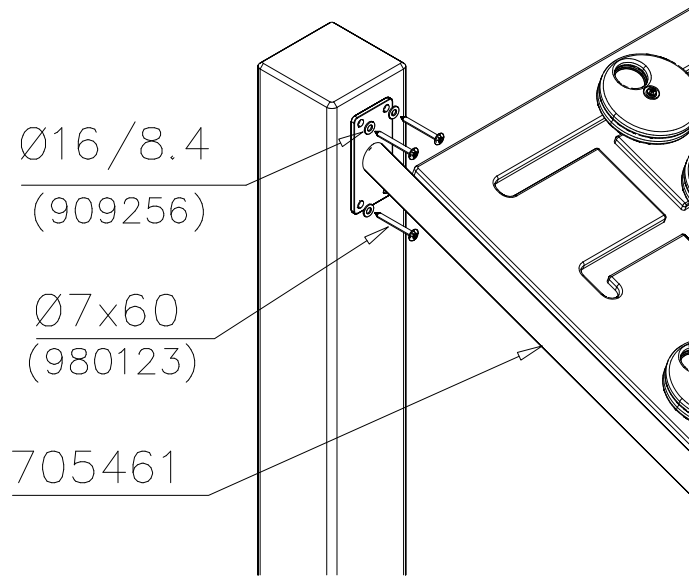




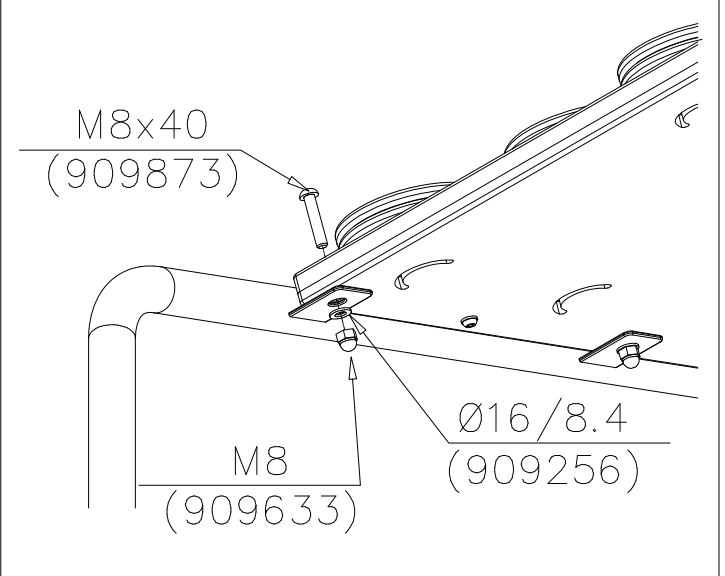




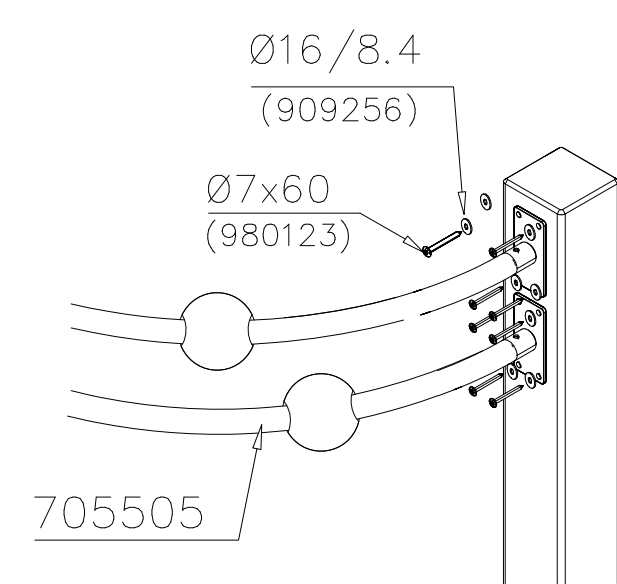
DET 31



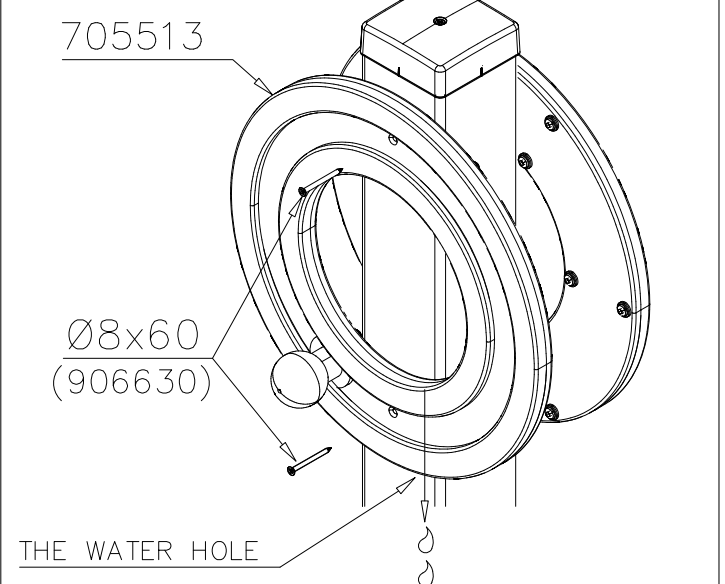
DET 32



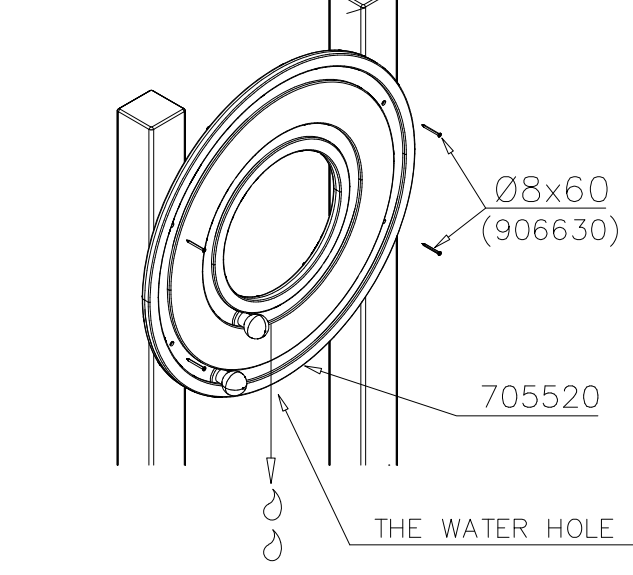
DET 33



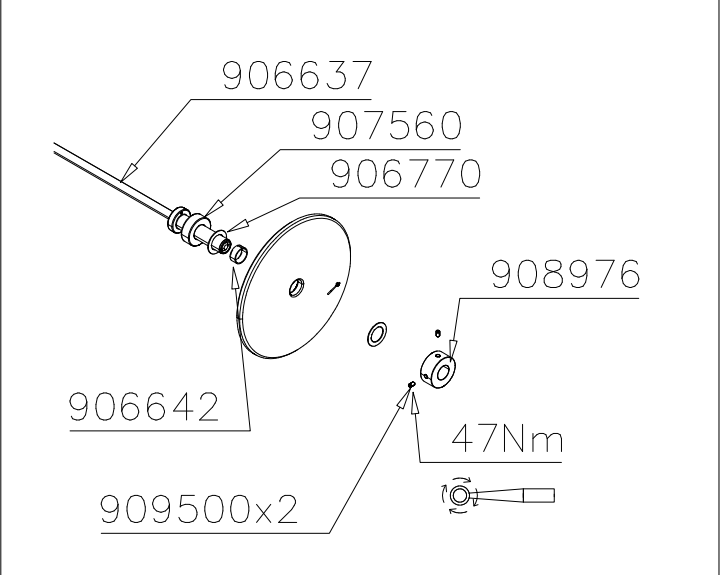
DET 34



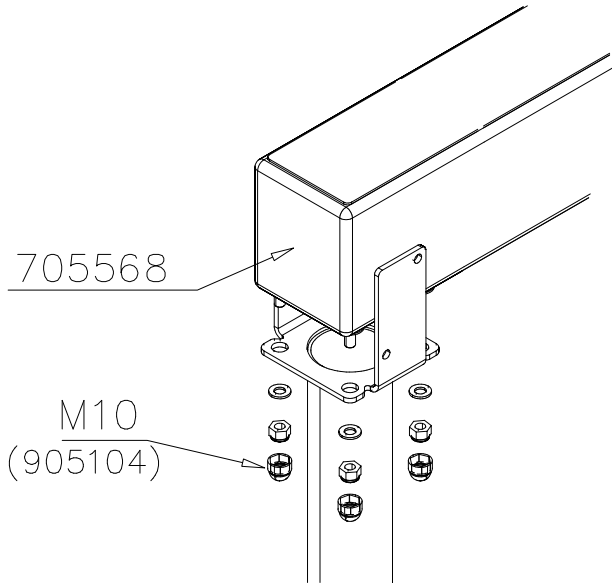
DET 35



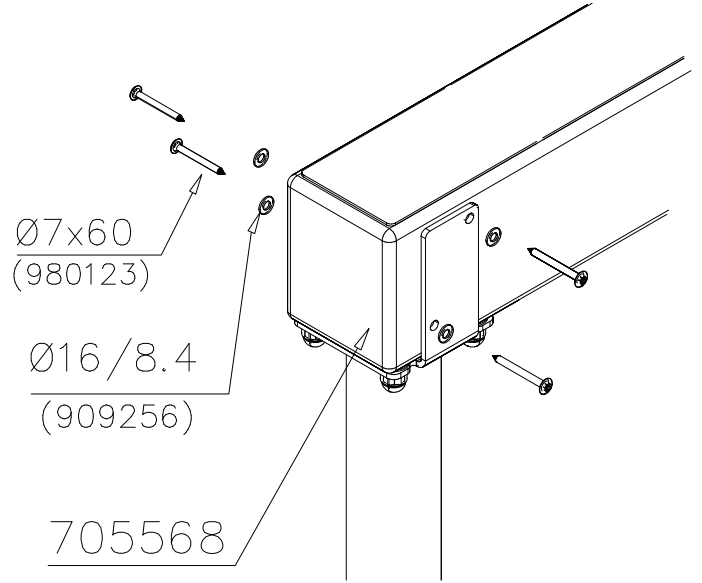
DET 36



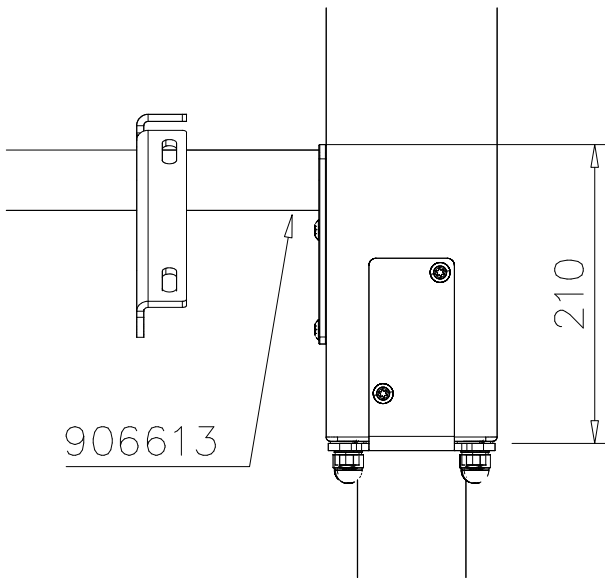
DET 37



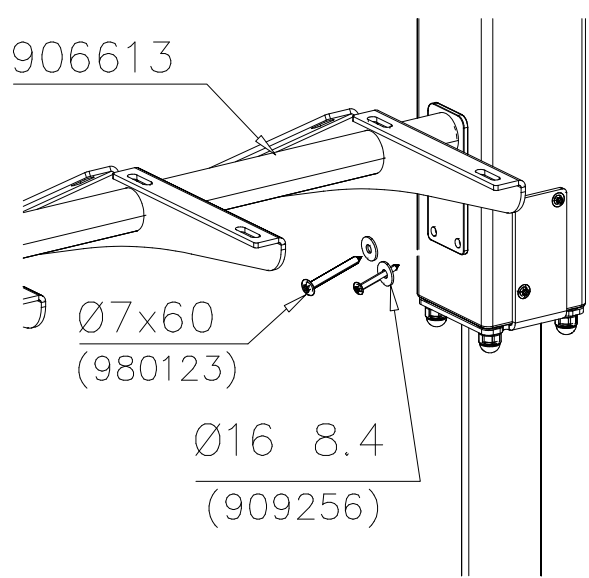
DET 38



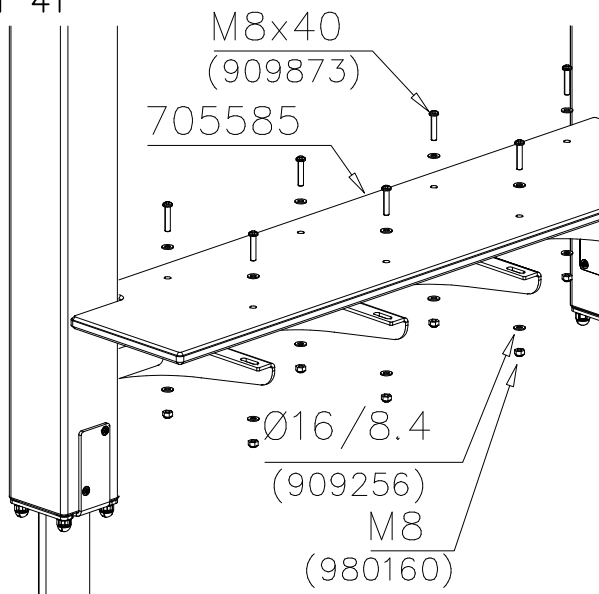
DET 39



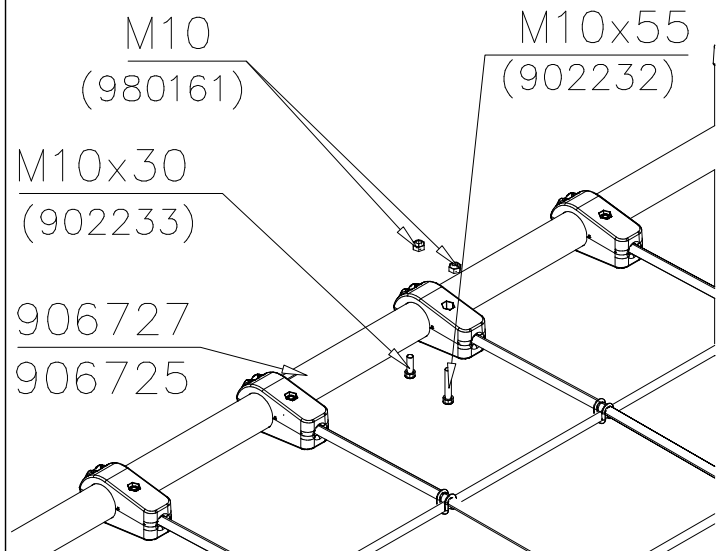
DET 40

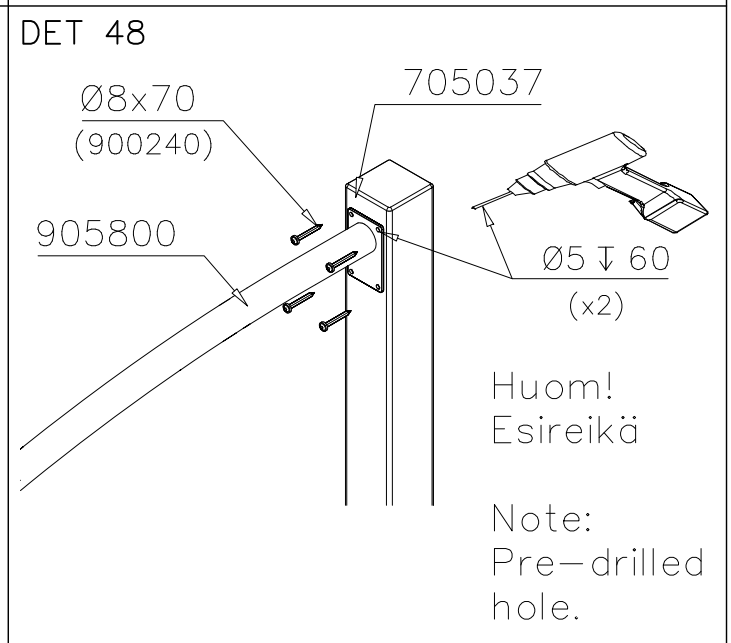
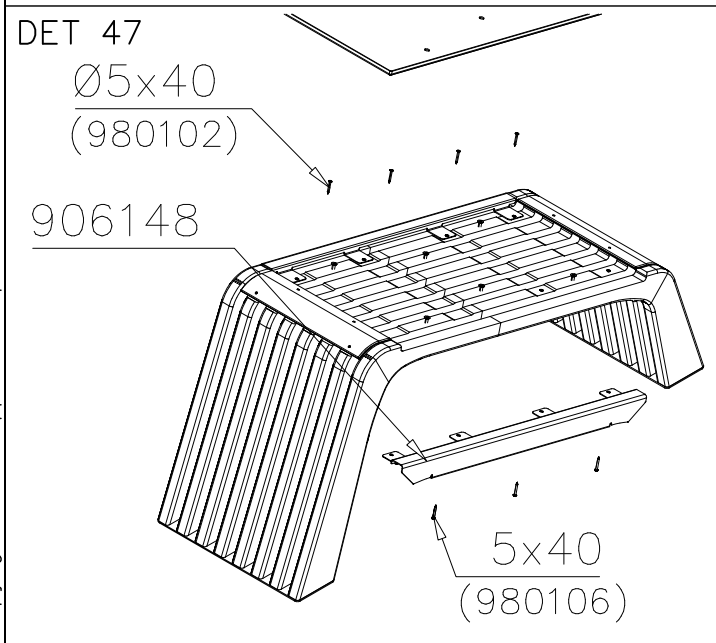
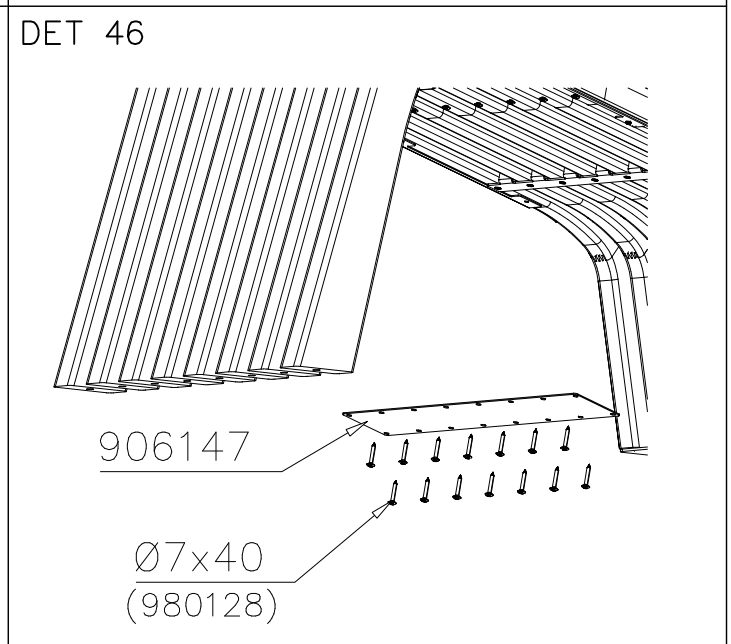
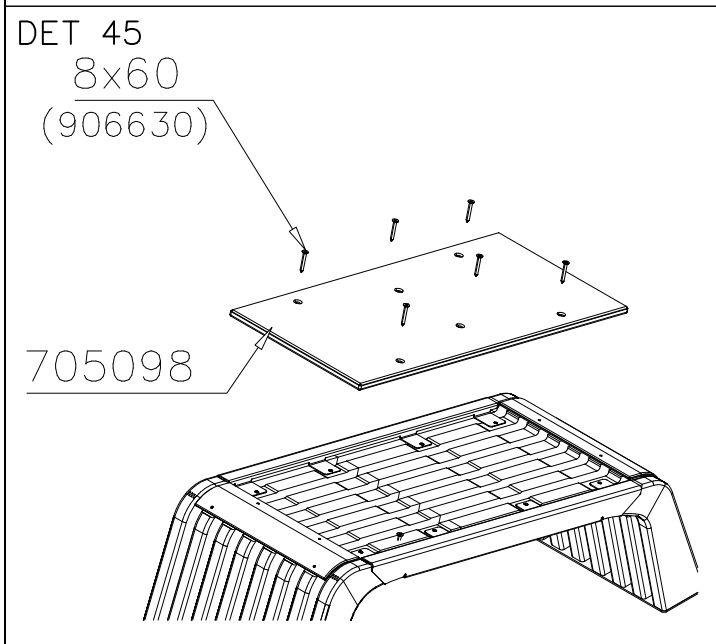
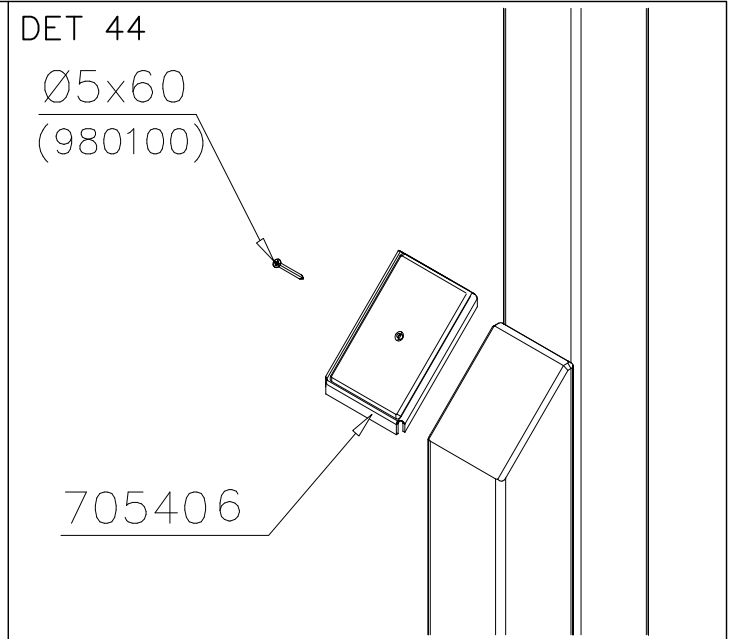
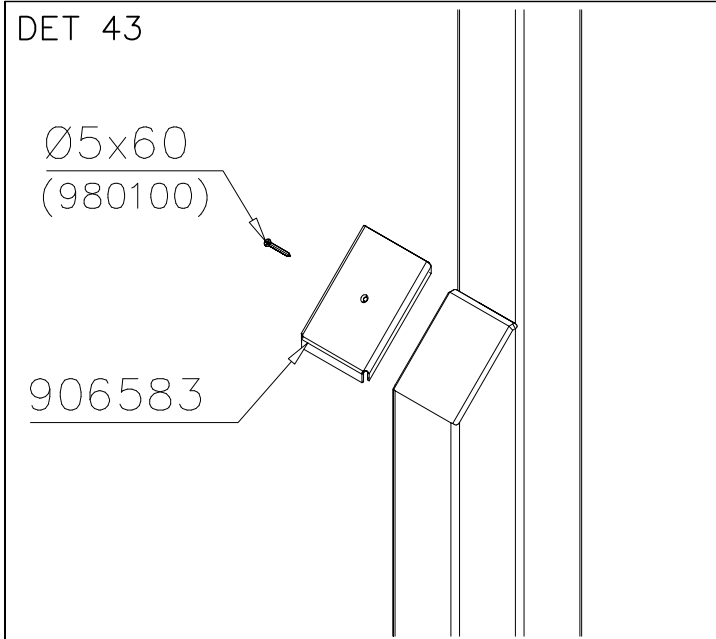


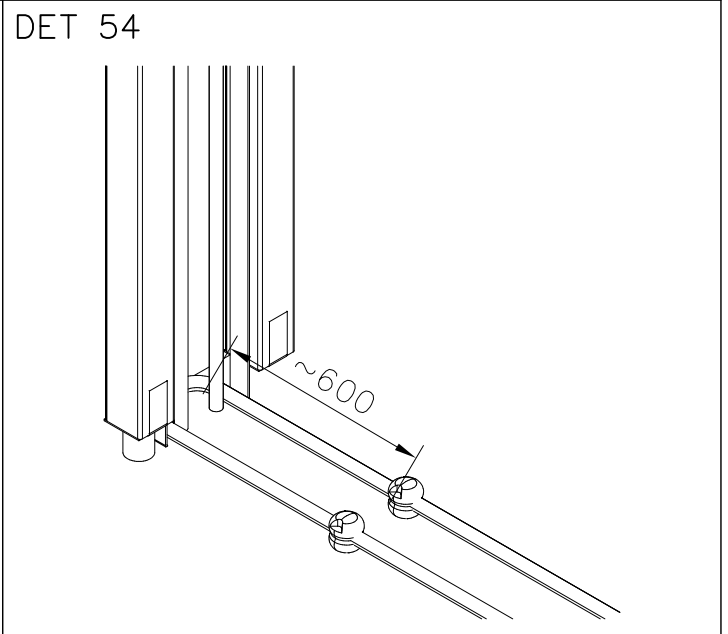
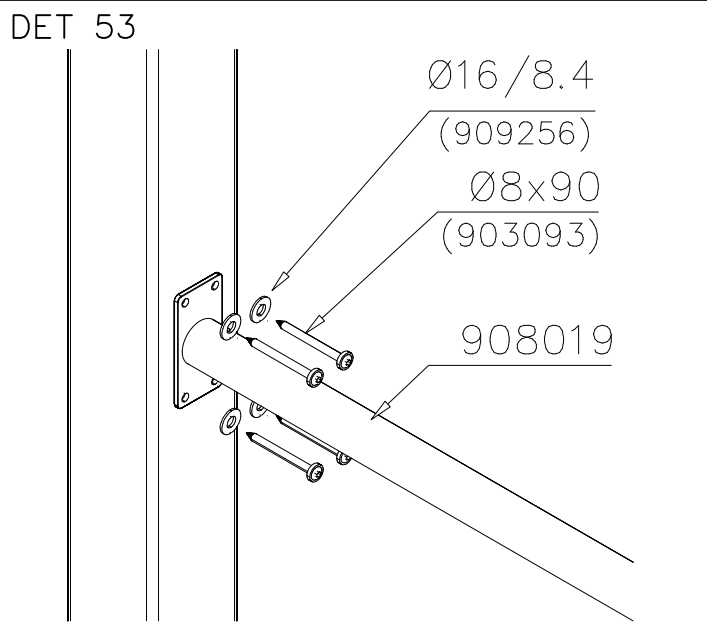
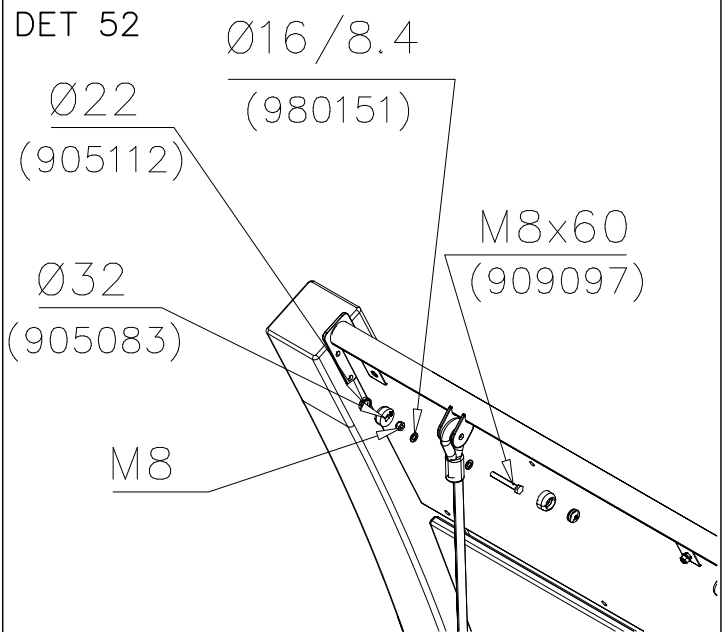
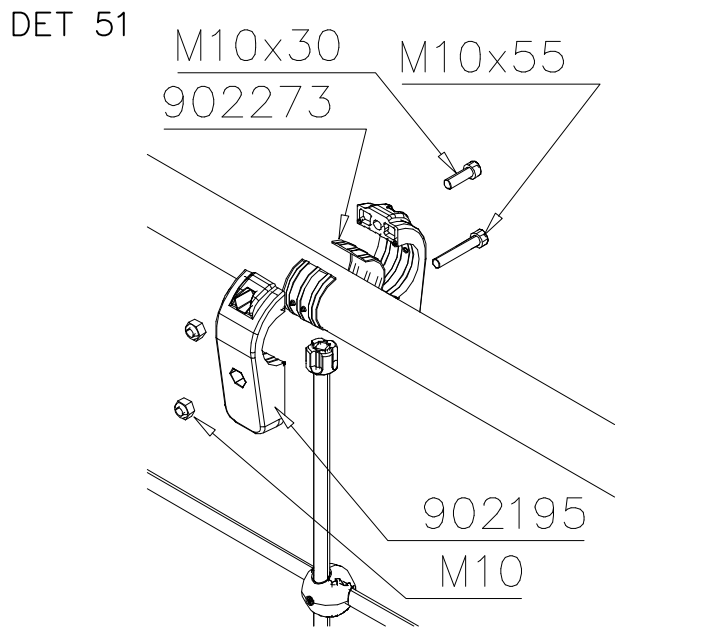
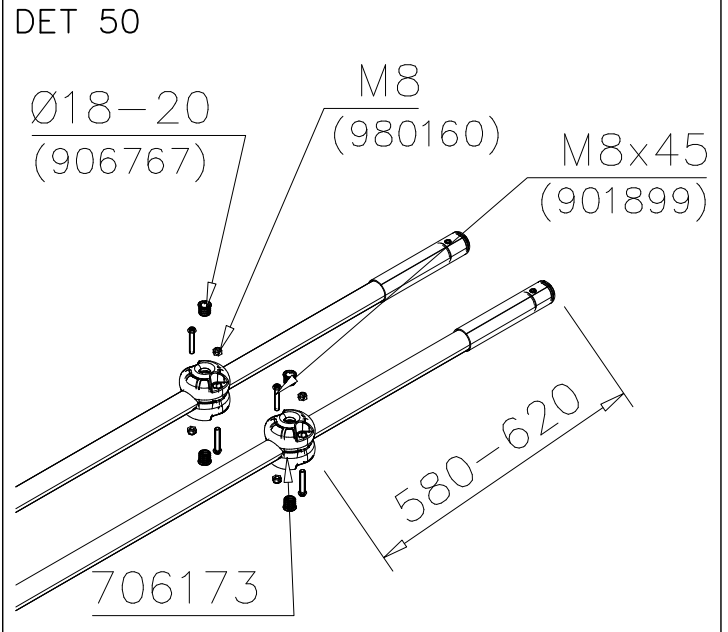
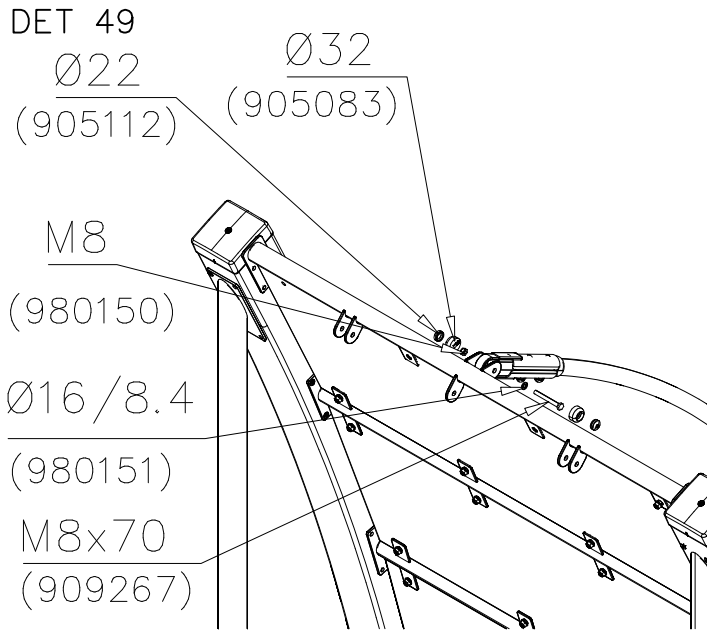
DET 41



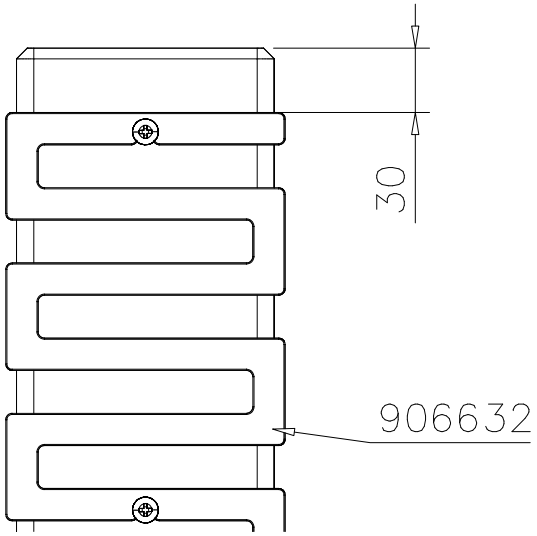
DET 42



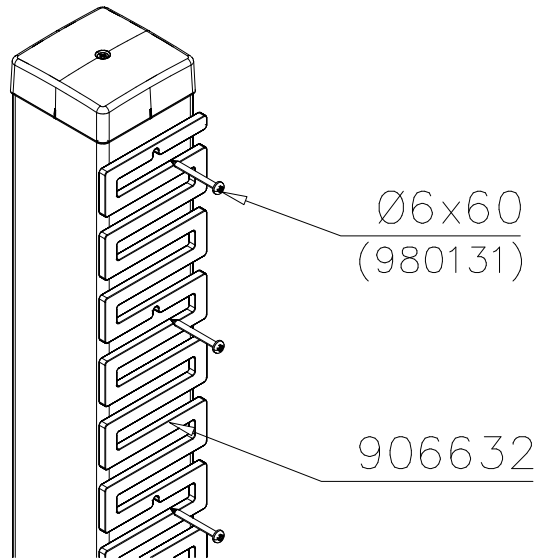




DET 55



DET 56



DET 57

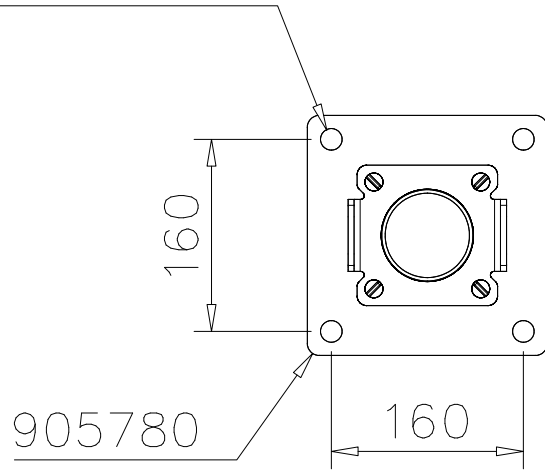
DET 58

DET 59

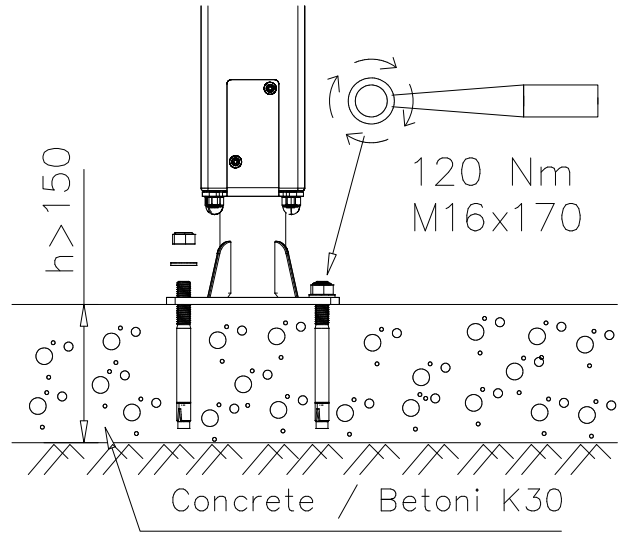
DET 60

DET 1

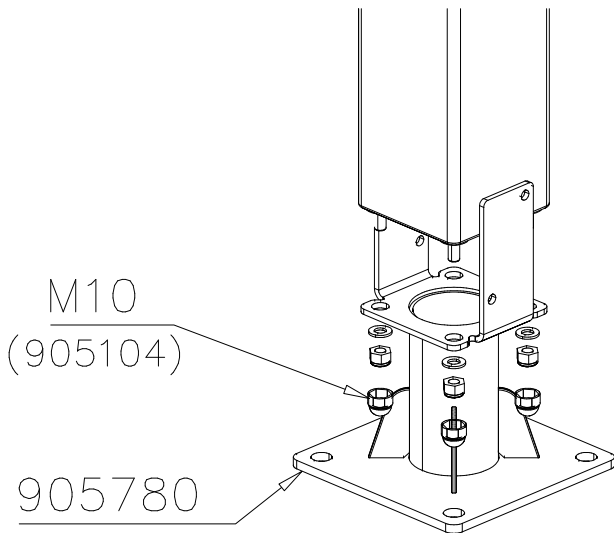
$\varnothing 16 \downarrow > 130$



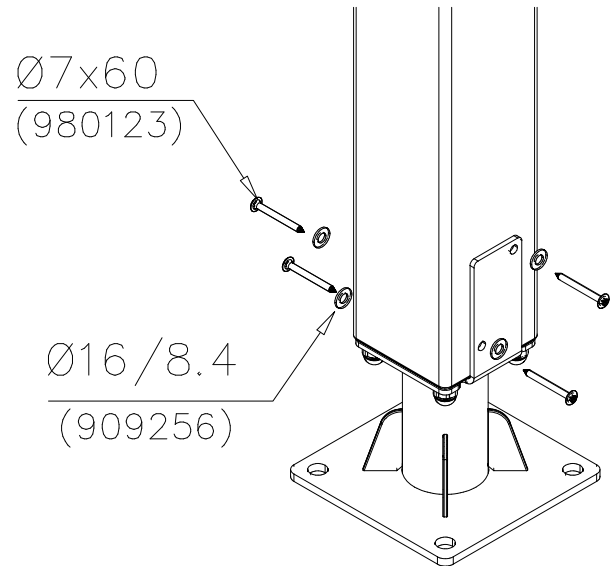
DET 2



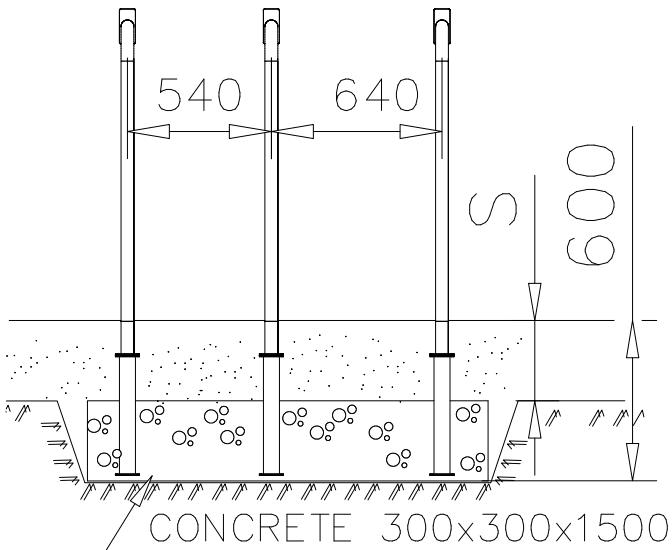
DET 3



DET 4

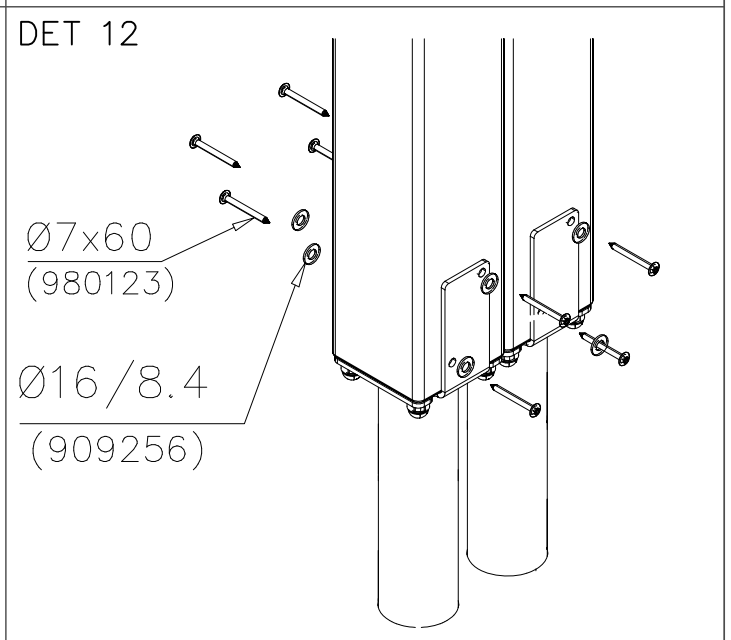
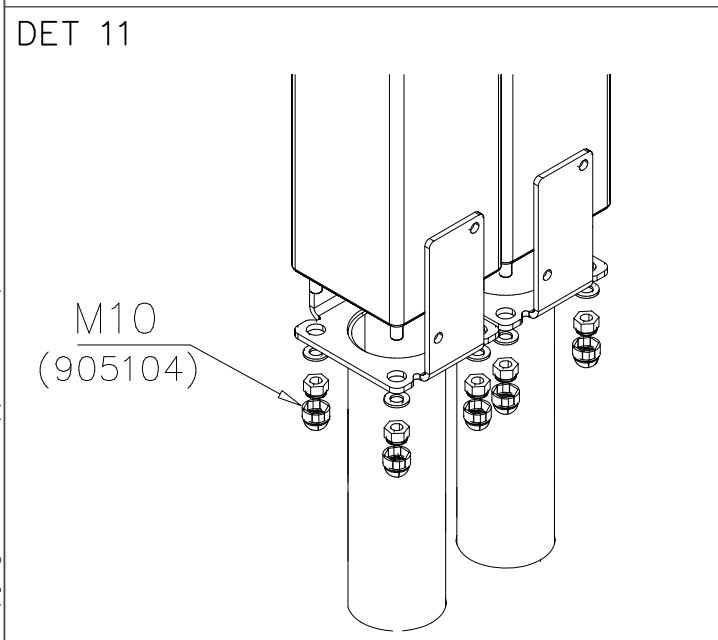
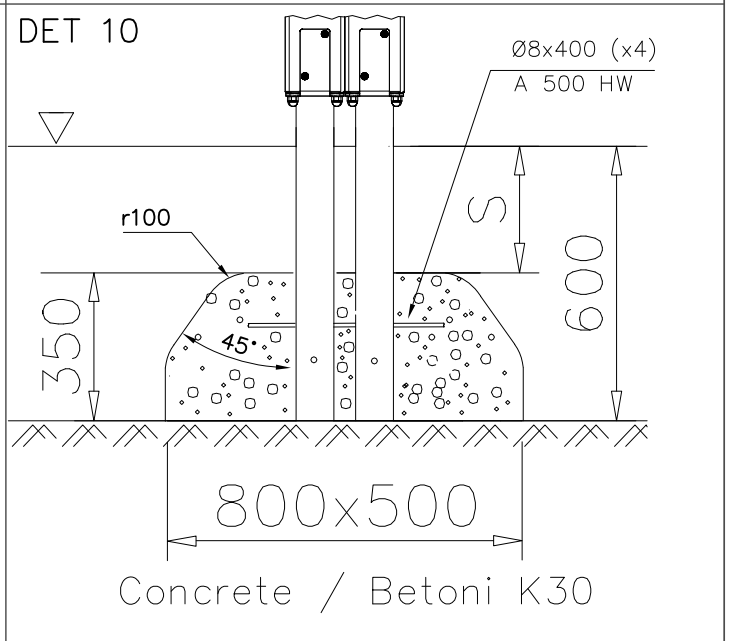
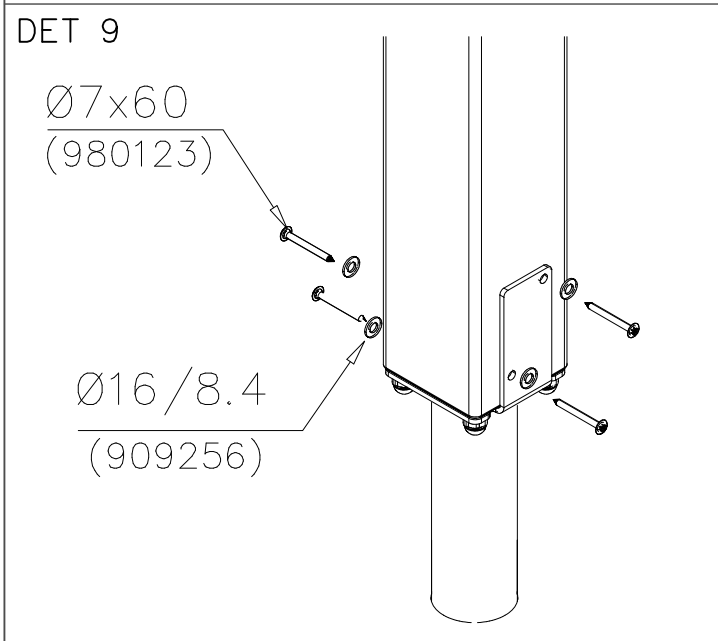
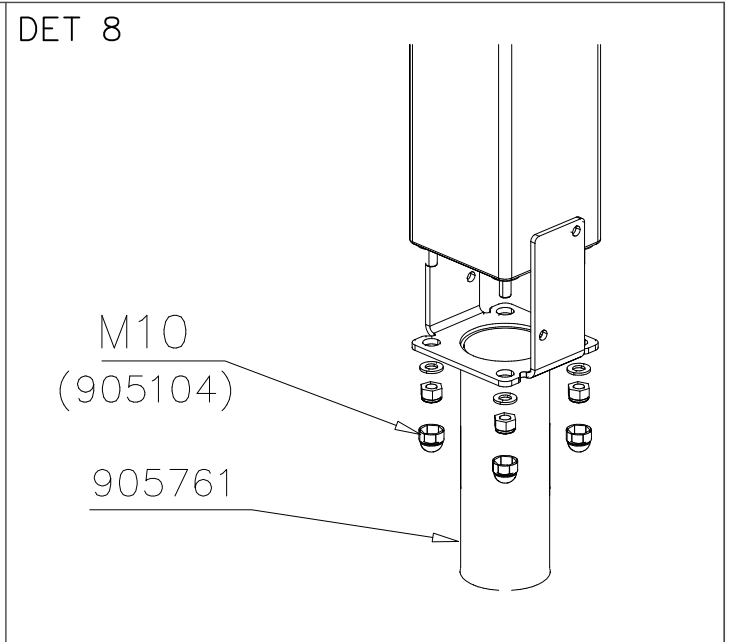
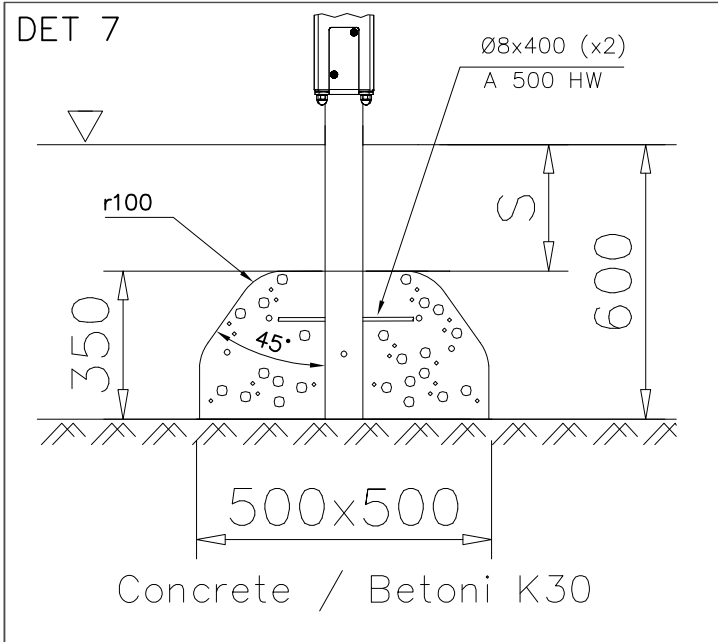


DET 5

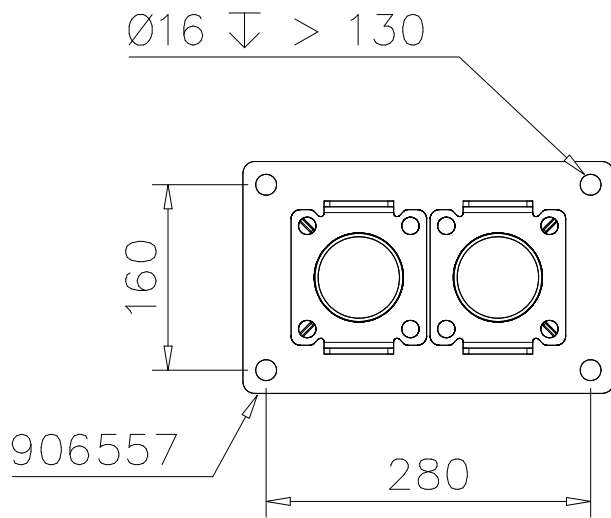


DET 6

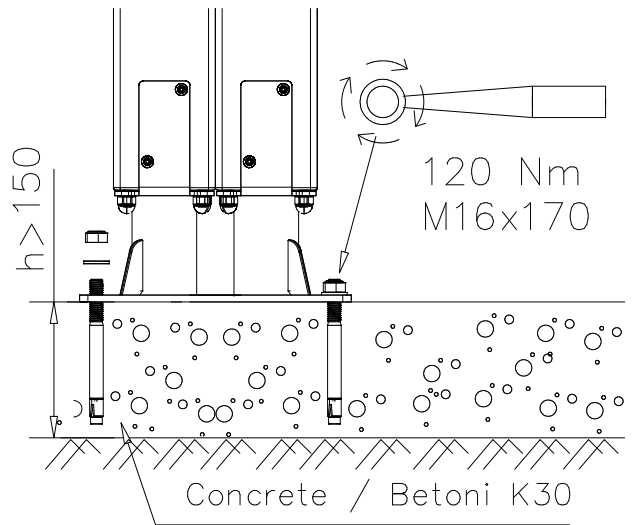




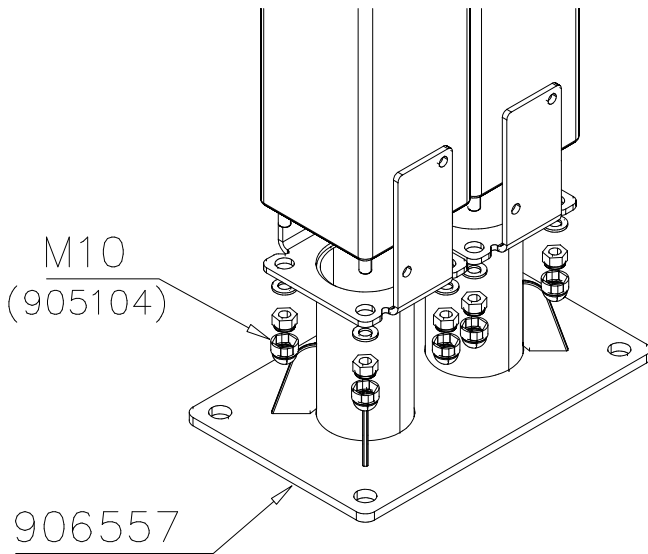
DET 13



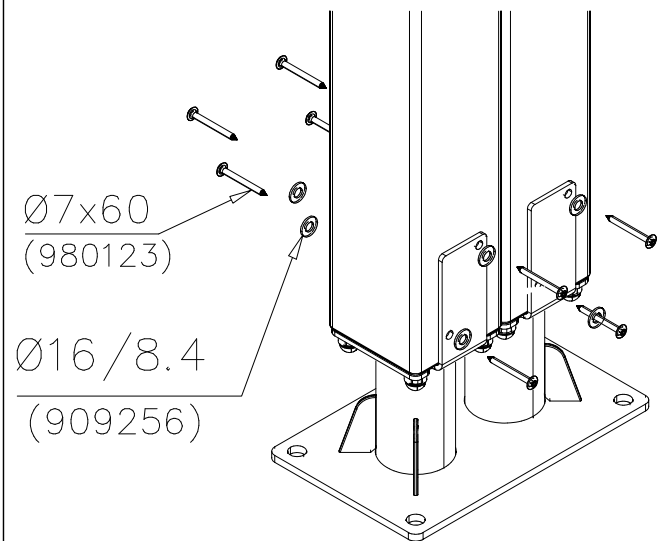
DET 14



DET 15



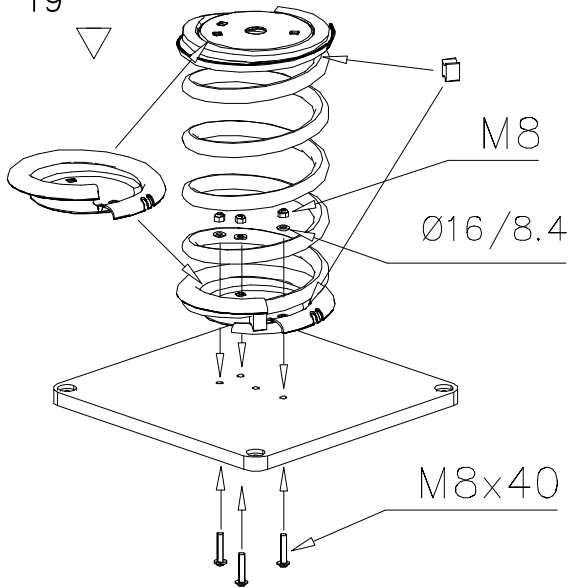
DET 16



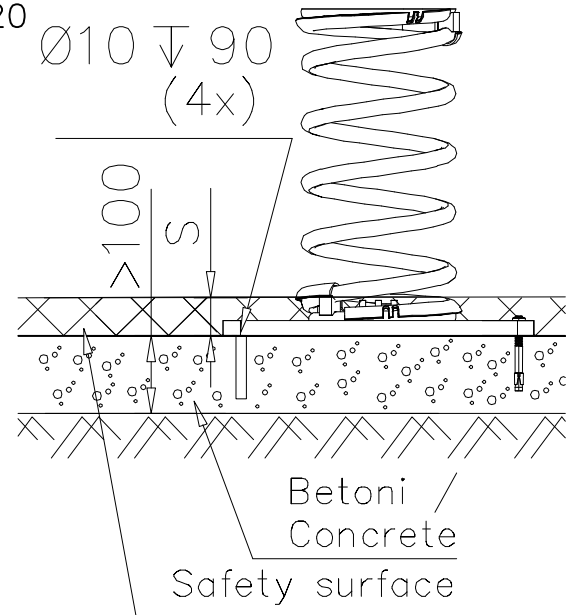
DET 17

DET 18

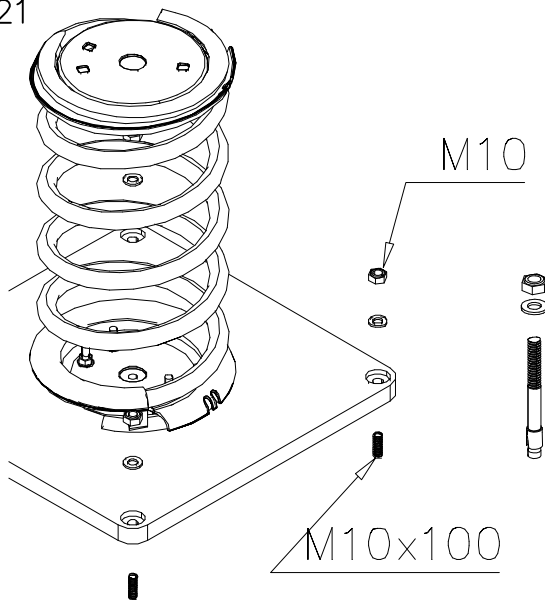
DET 19



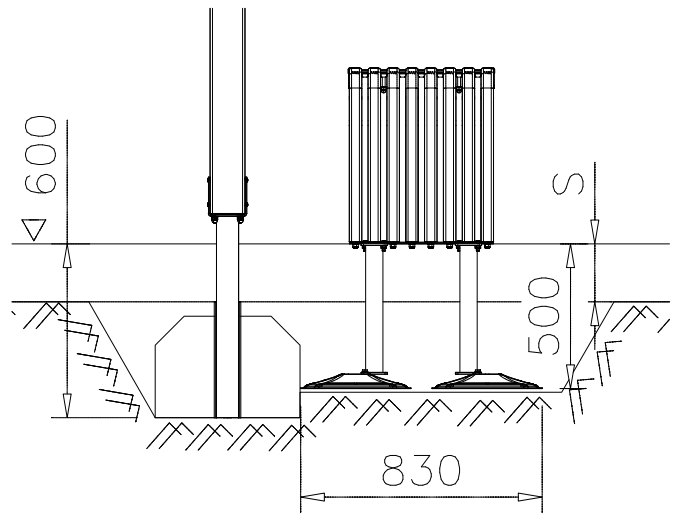
DET 20



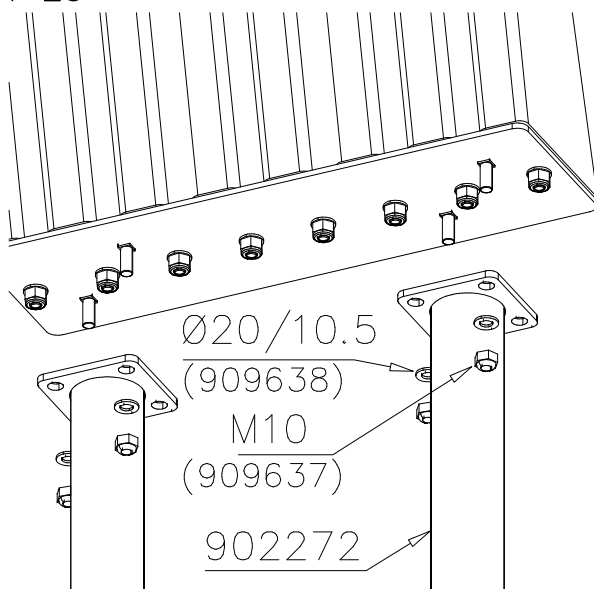
DET 21



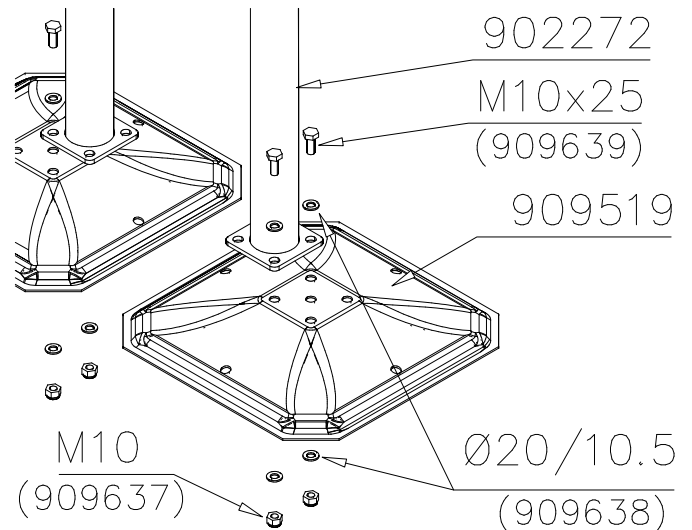
DET 22



DET 23



DET 24

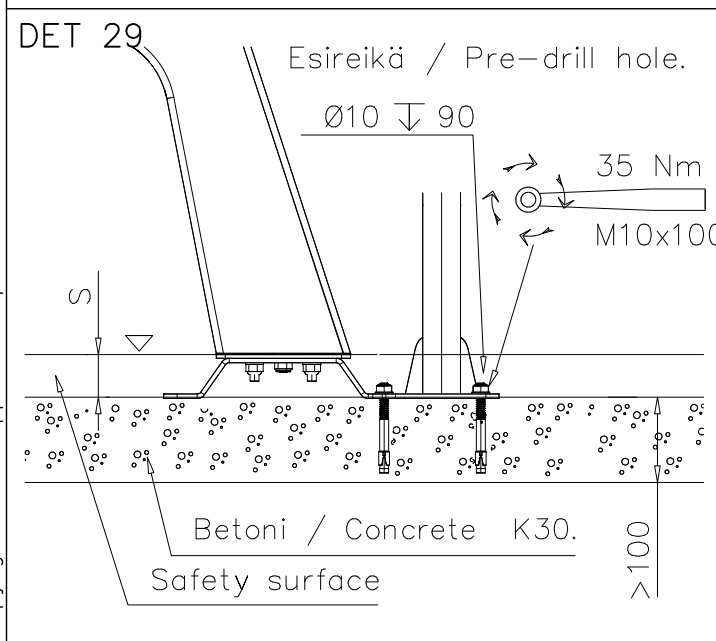
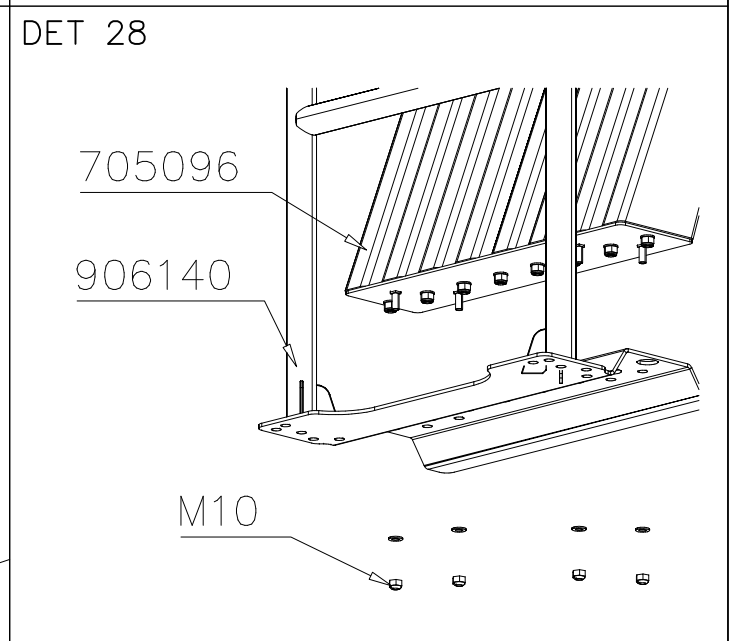
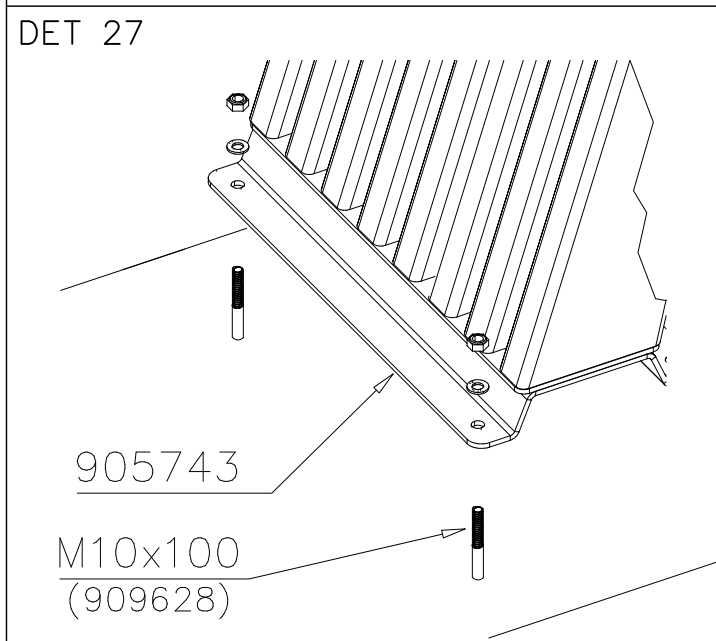
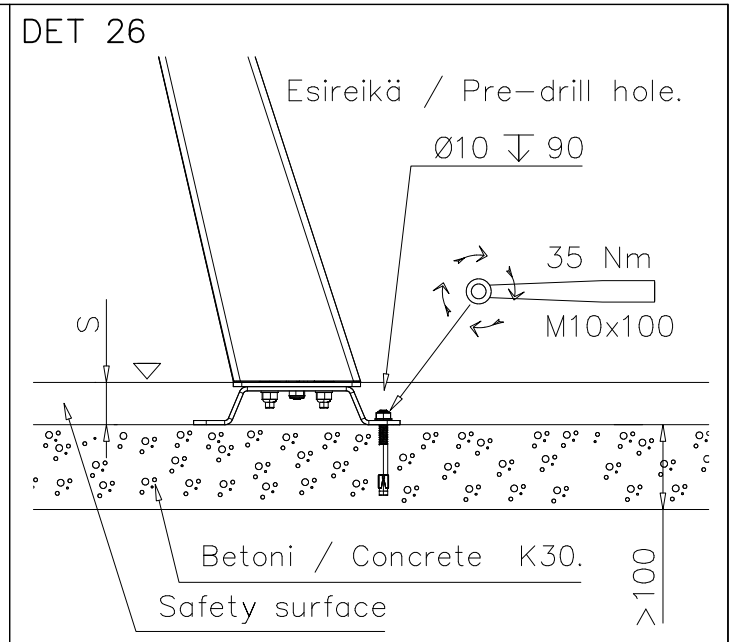
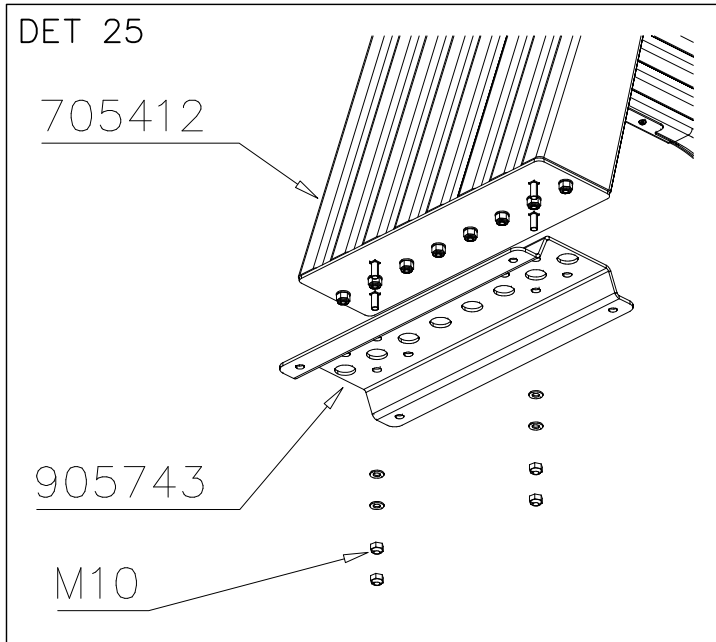


# LAPPSET SPORT

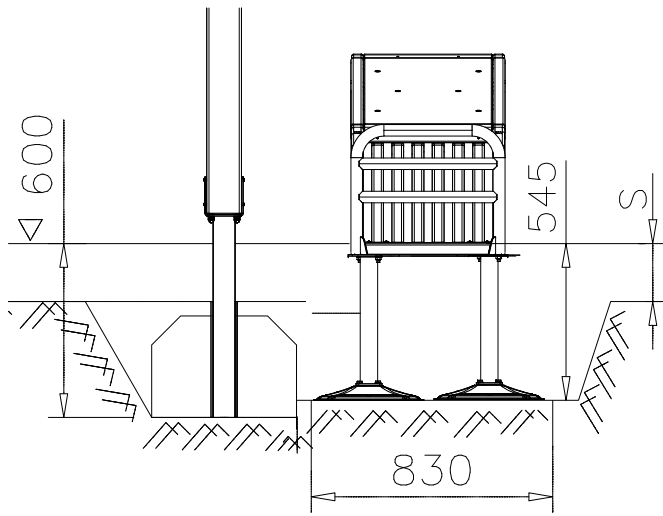
# BASE

DATE: 29.4.2015

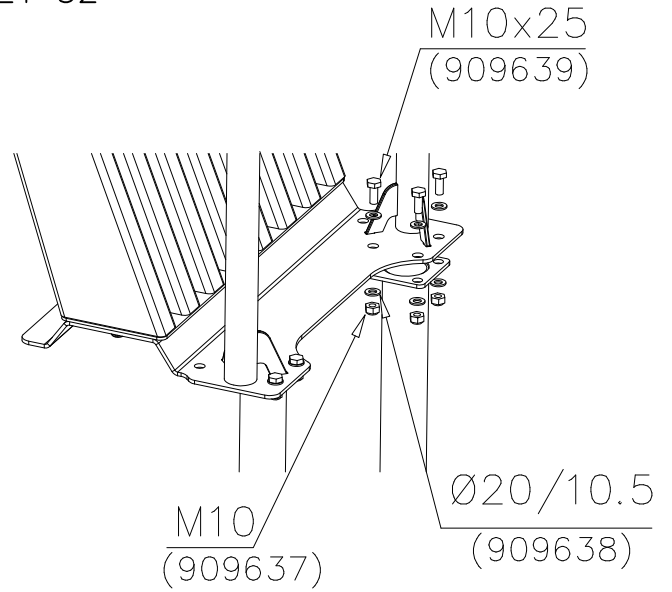
5(10)



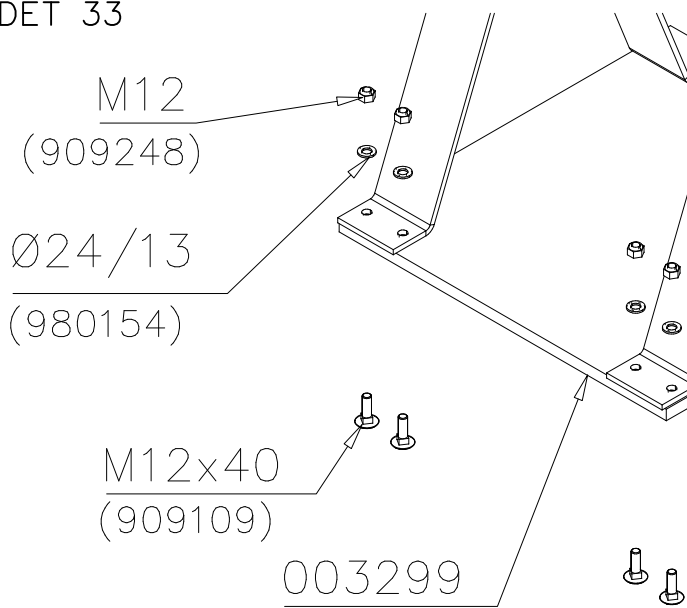
DET 31



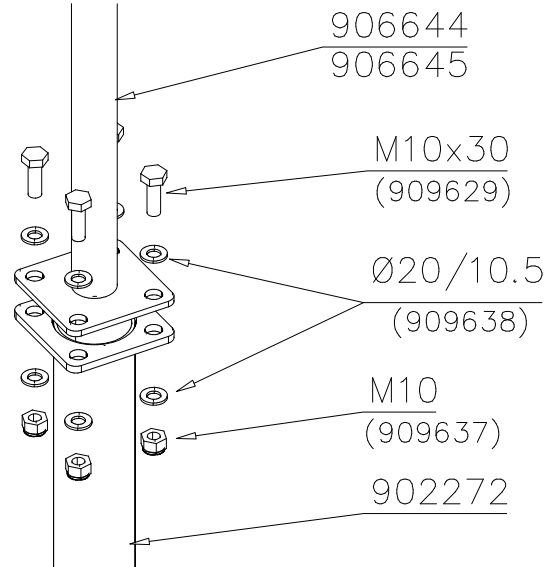
DET 32



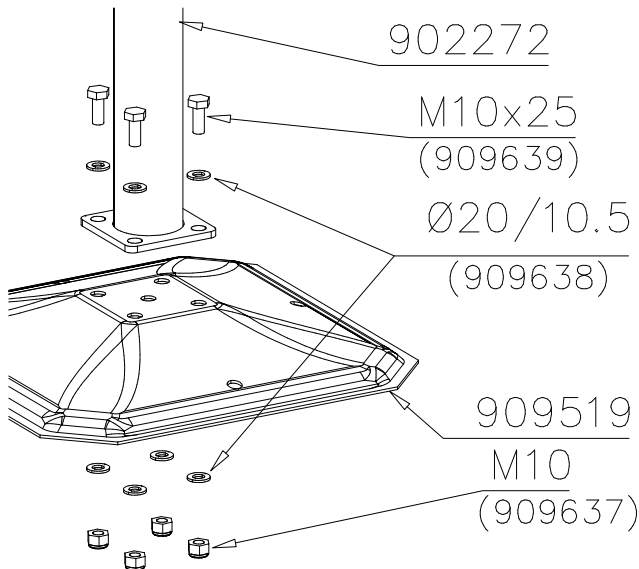
DET 33



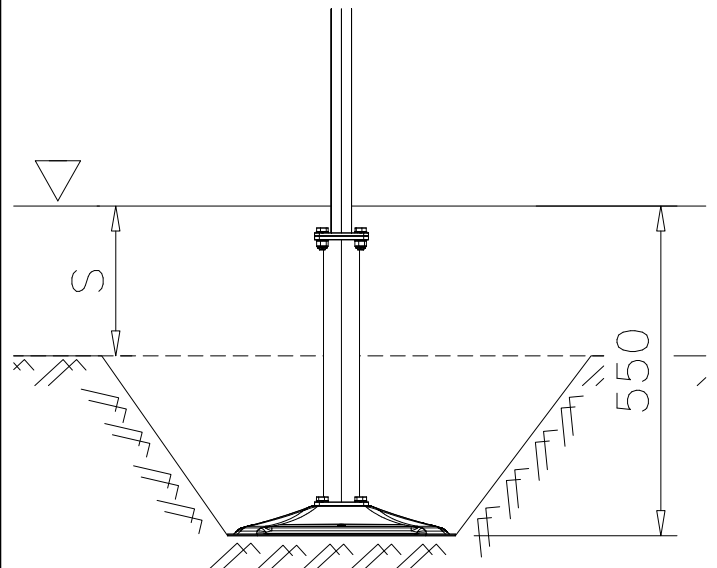
DET 34



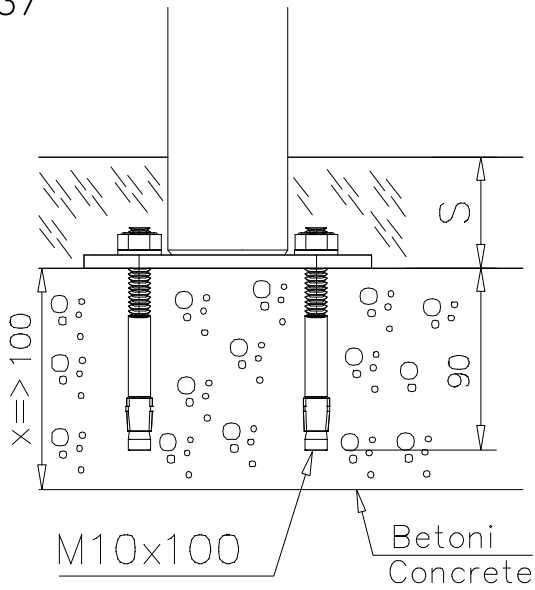
DET 35



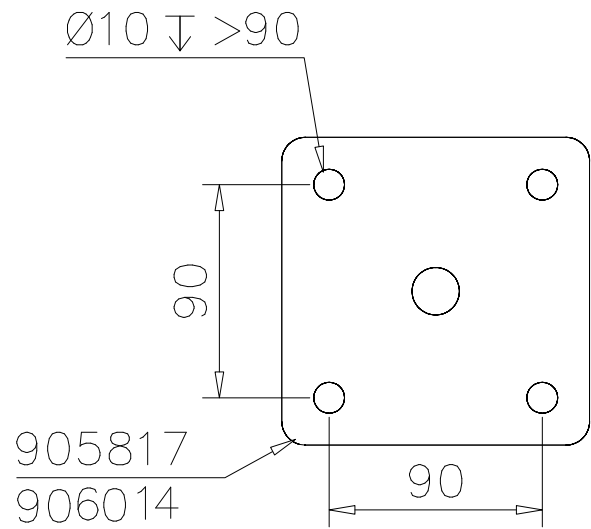
DET 36



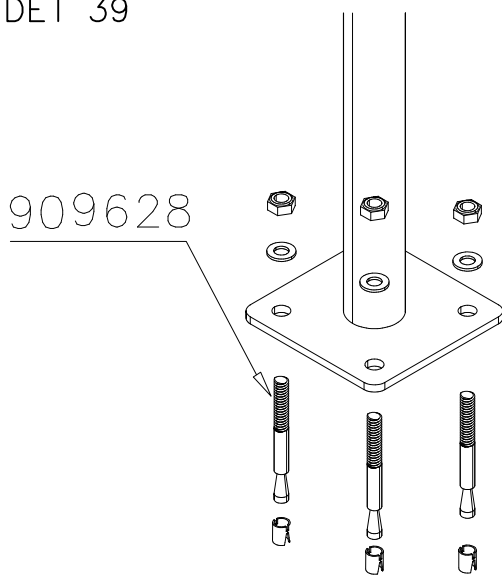
DET 37



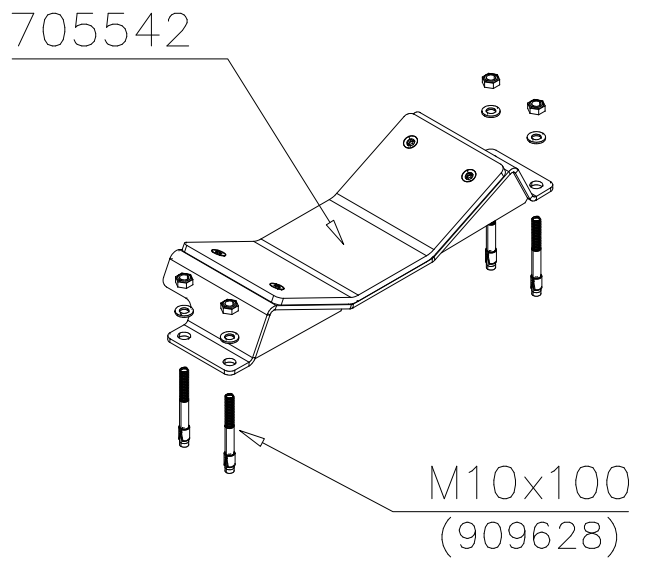
DET 38



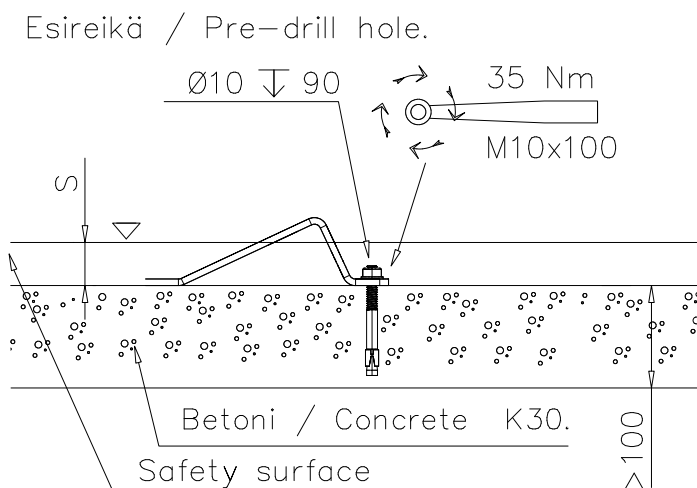
DET 39



DET 40



DET 41



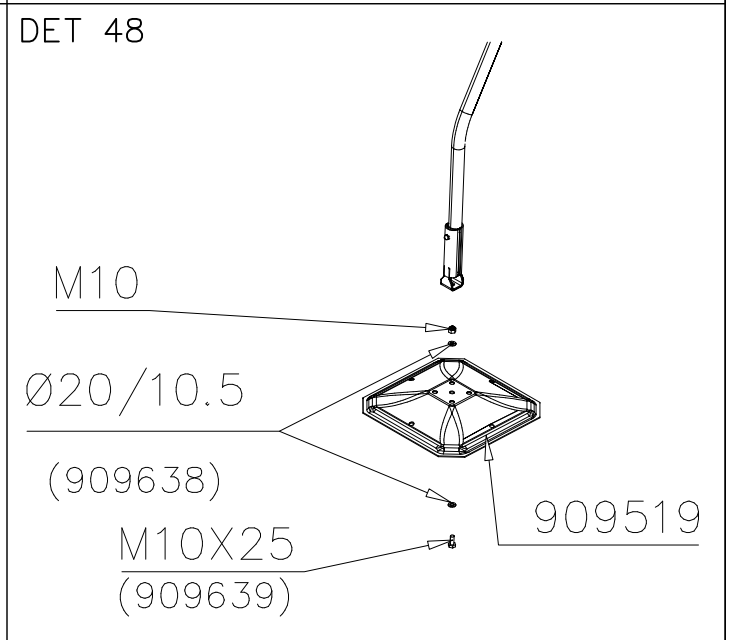
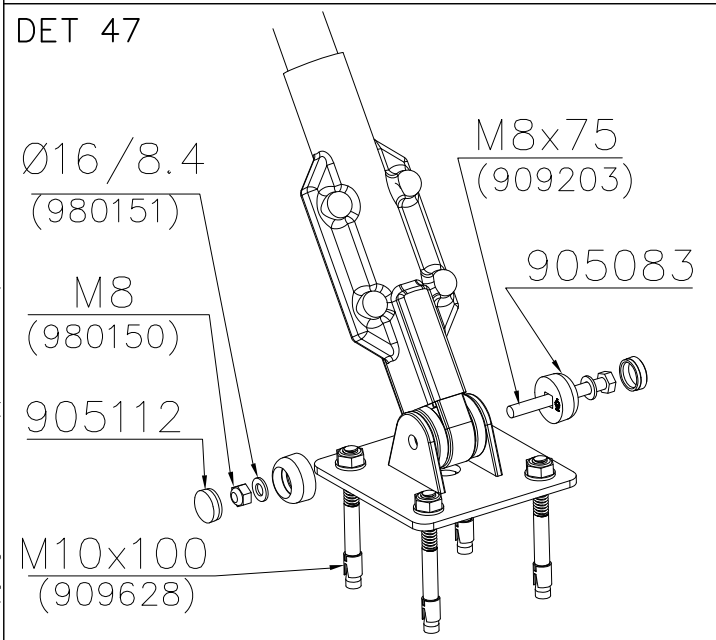
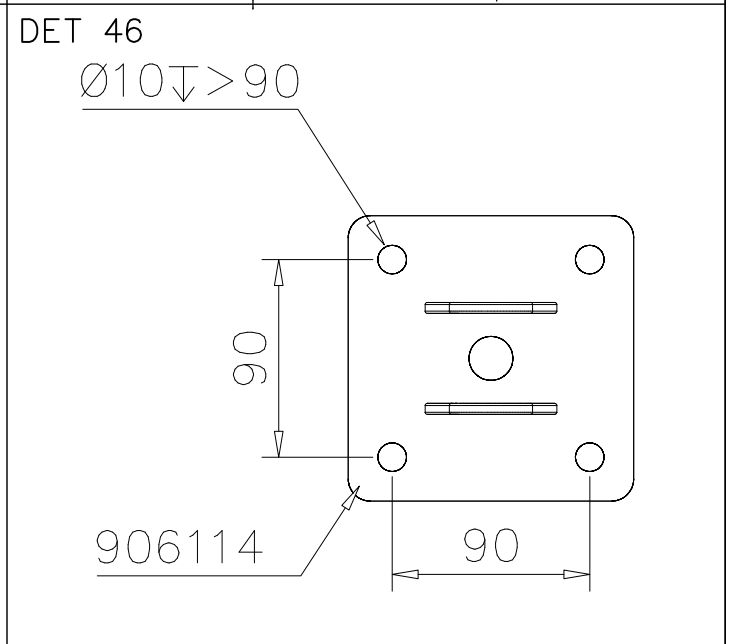
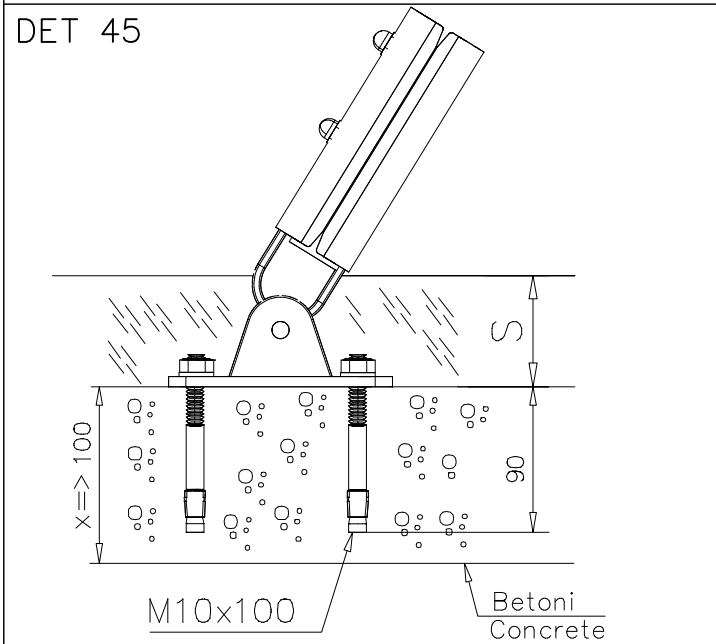
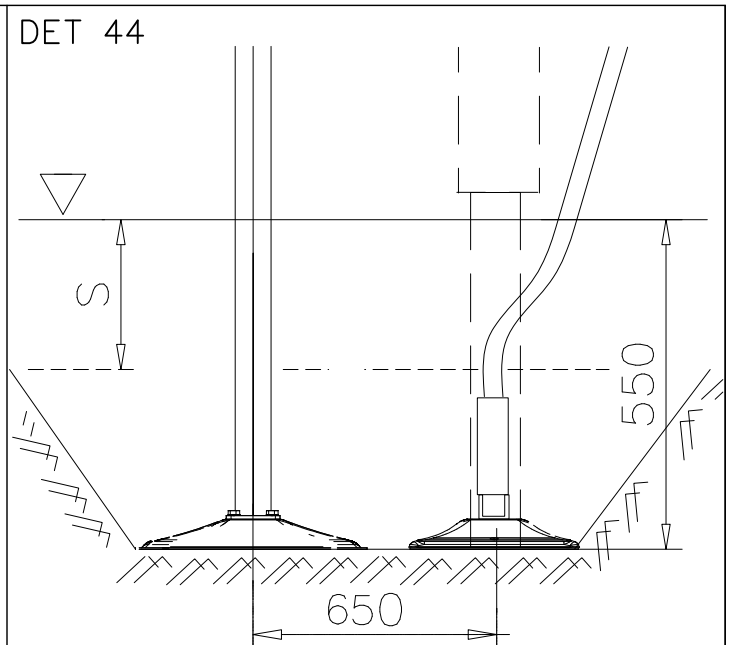
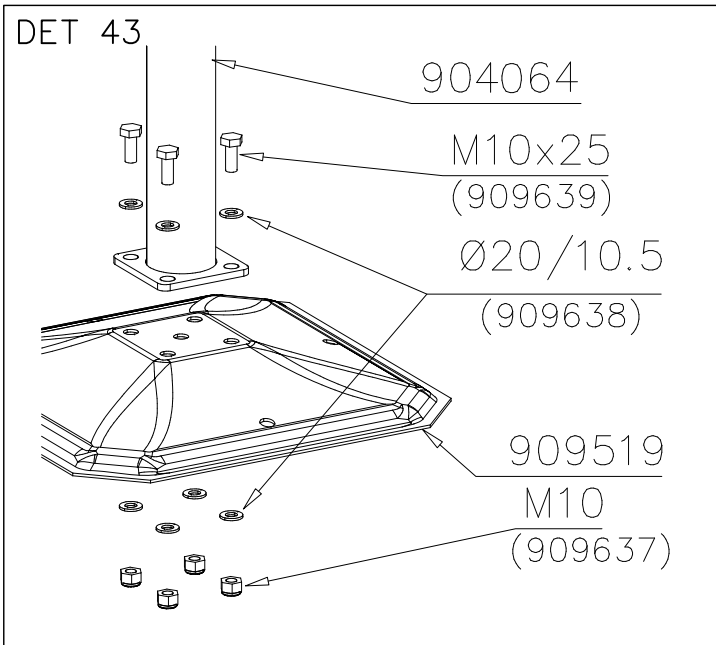
DET 42

# LAPPSET SPORT

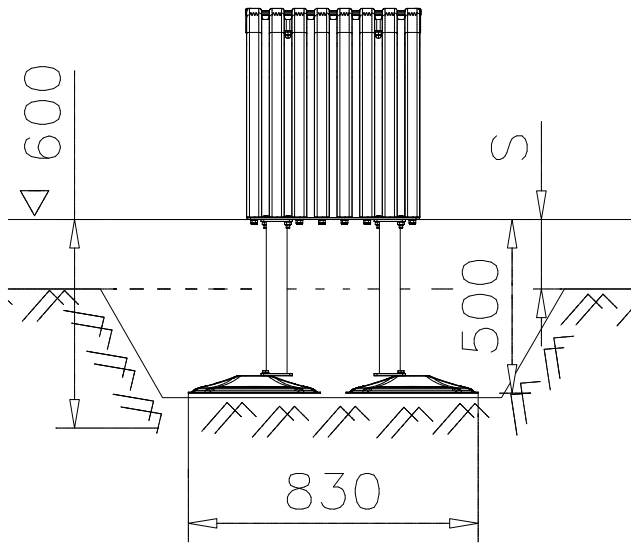
# BASE

DATE: 15.8.2017

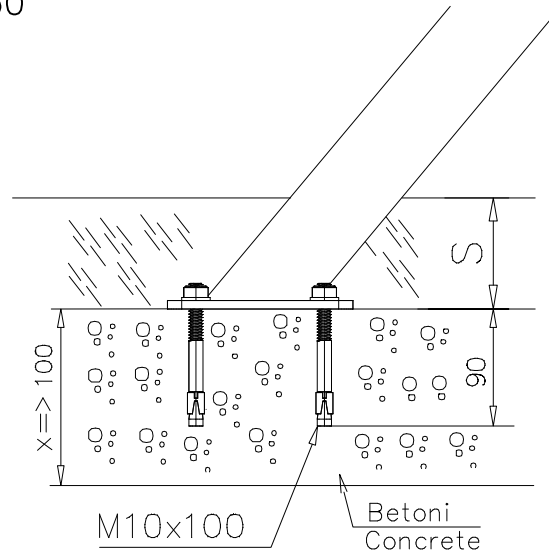
8(10)



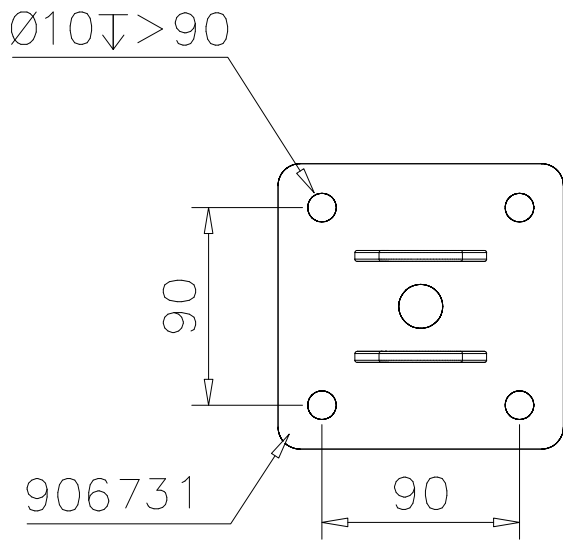
DET 49



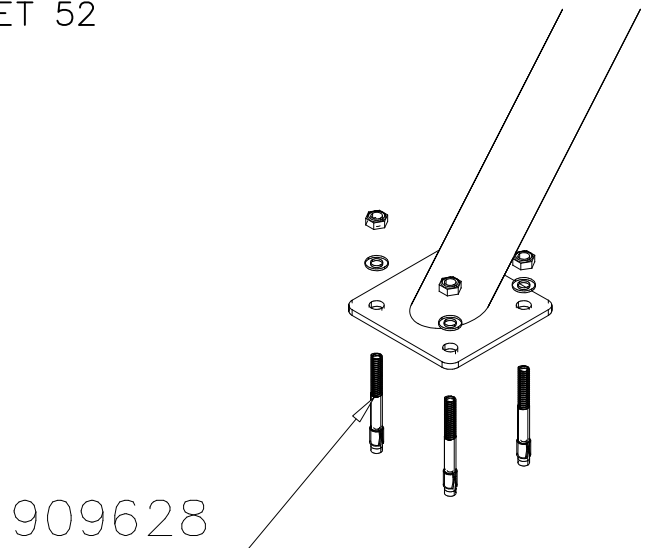
DET 50



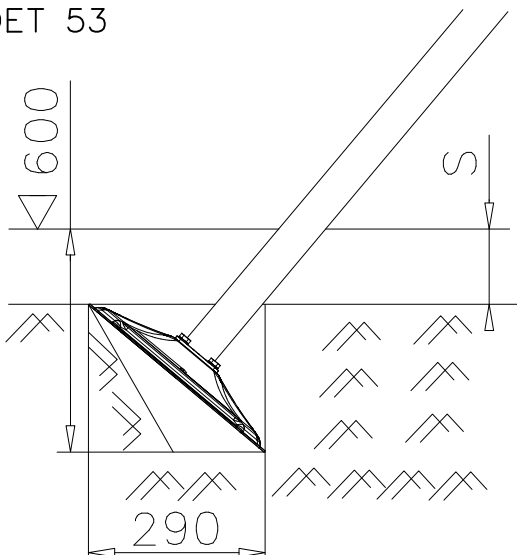
DET 51



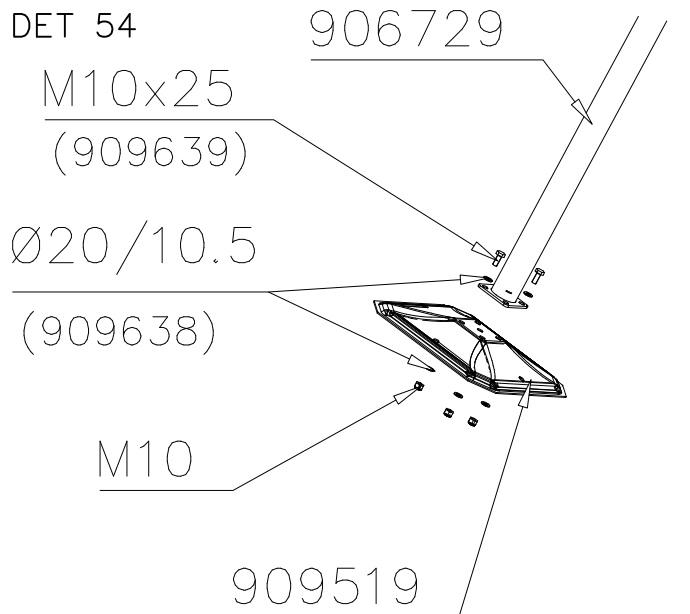
DET 52



DET 53



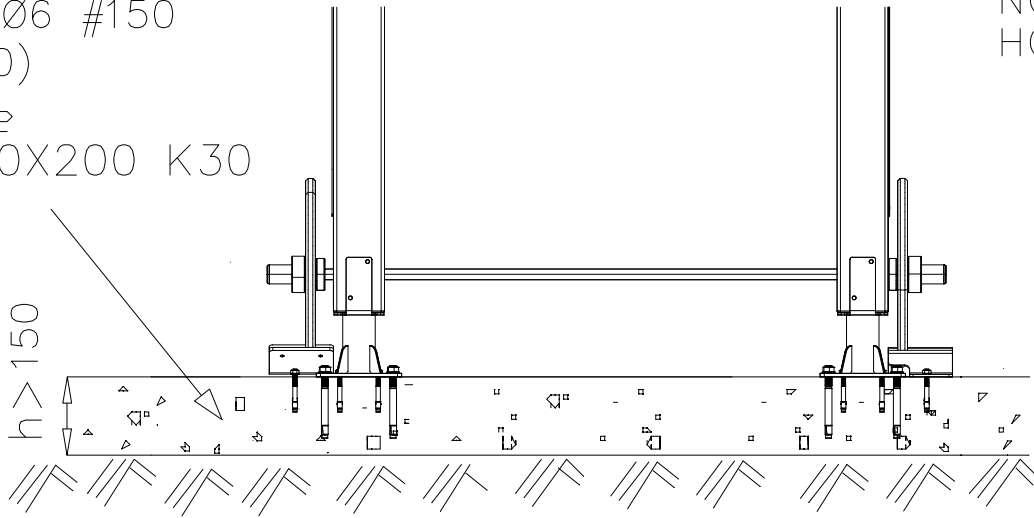
DET 54





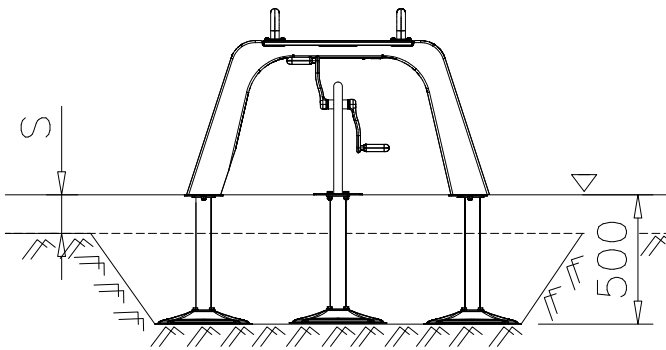
DET 55

STEELNET Ø6 #150  
(1400x2100)  
Concrete  
1500X2200X200 K30

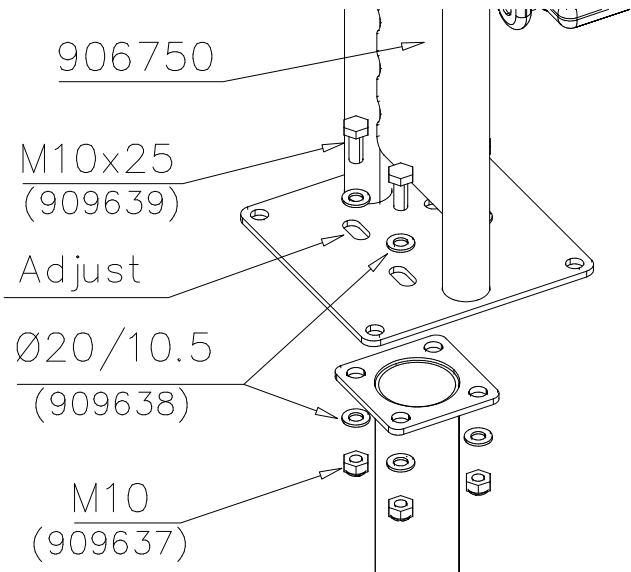


NOTE!  
HOX!

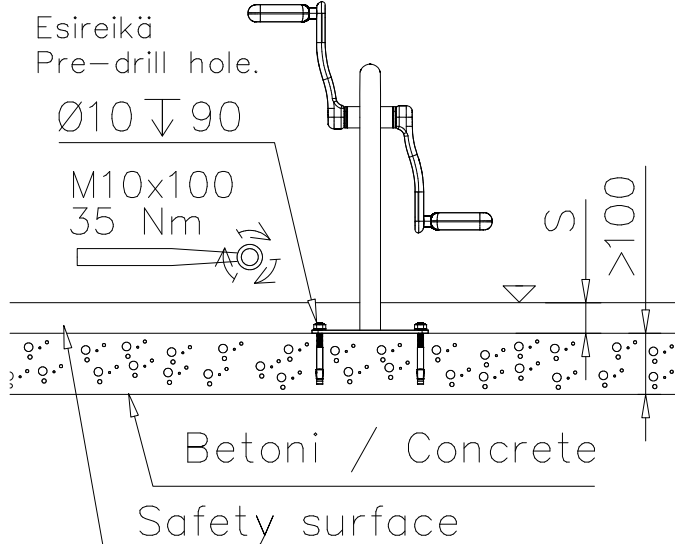
DET 56



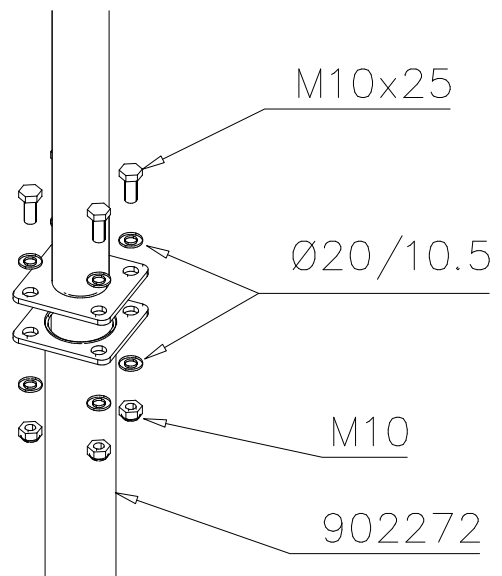
DET 57

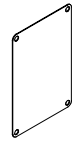



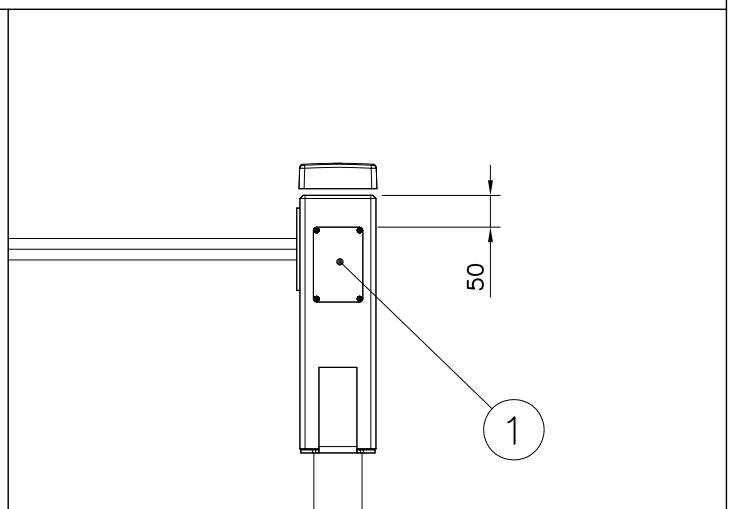
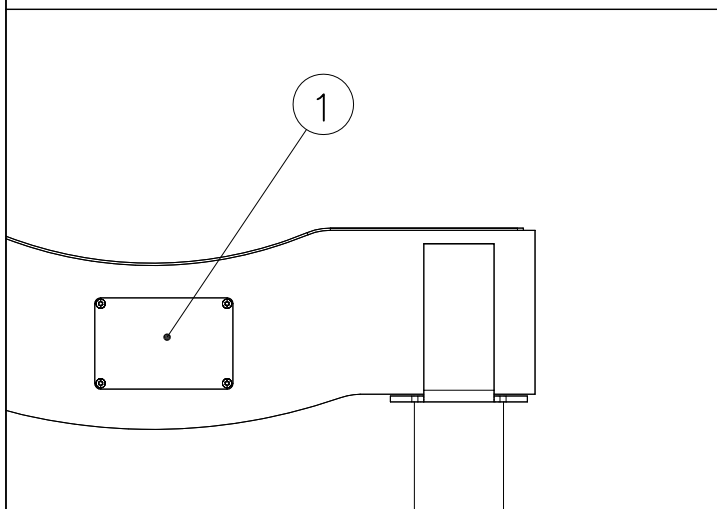
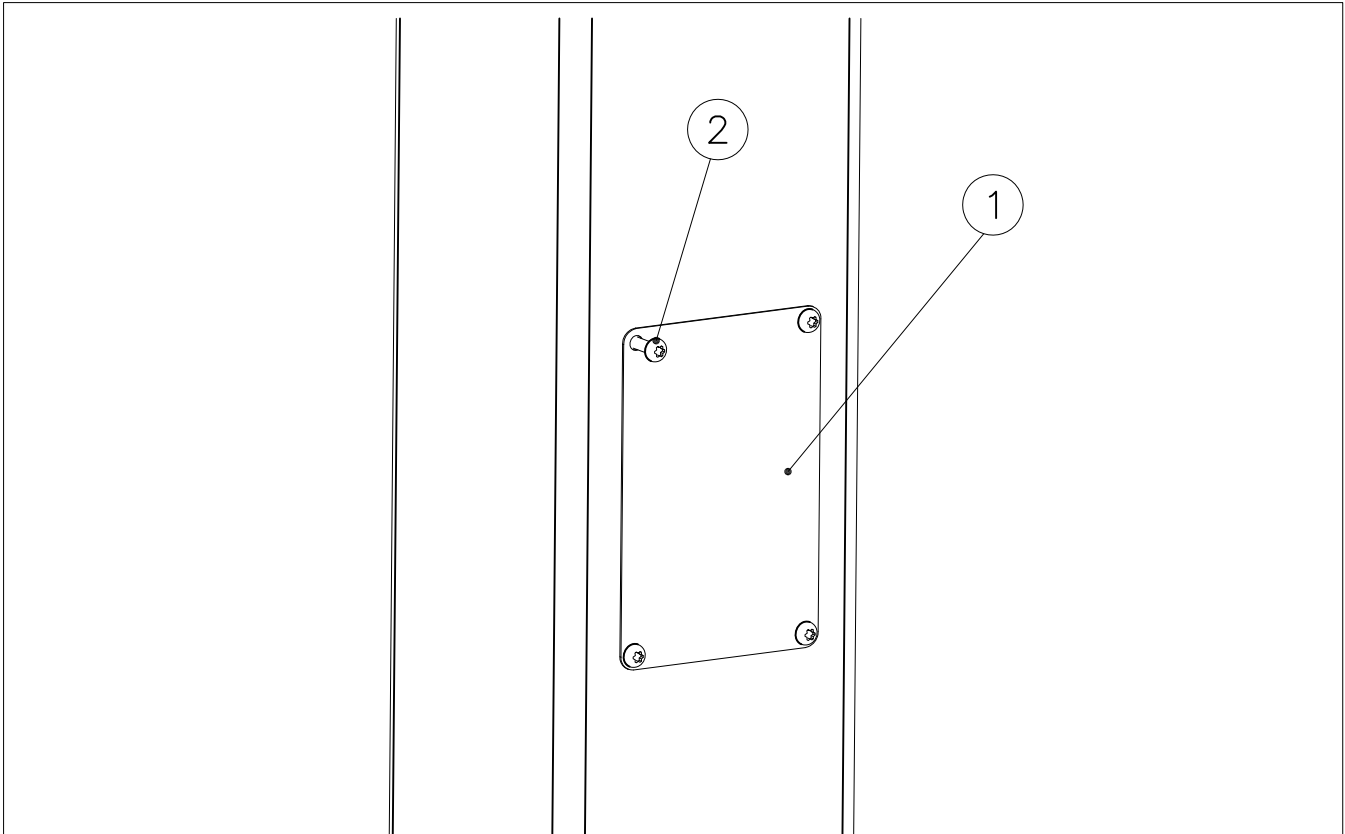
DET 58



DET 59



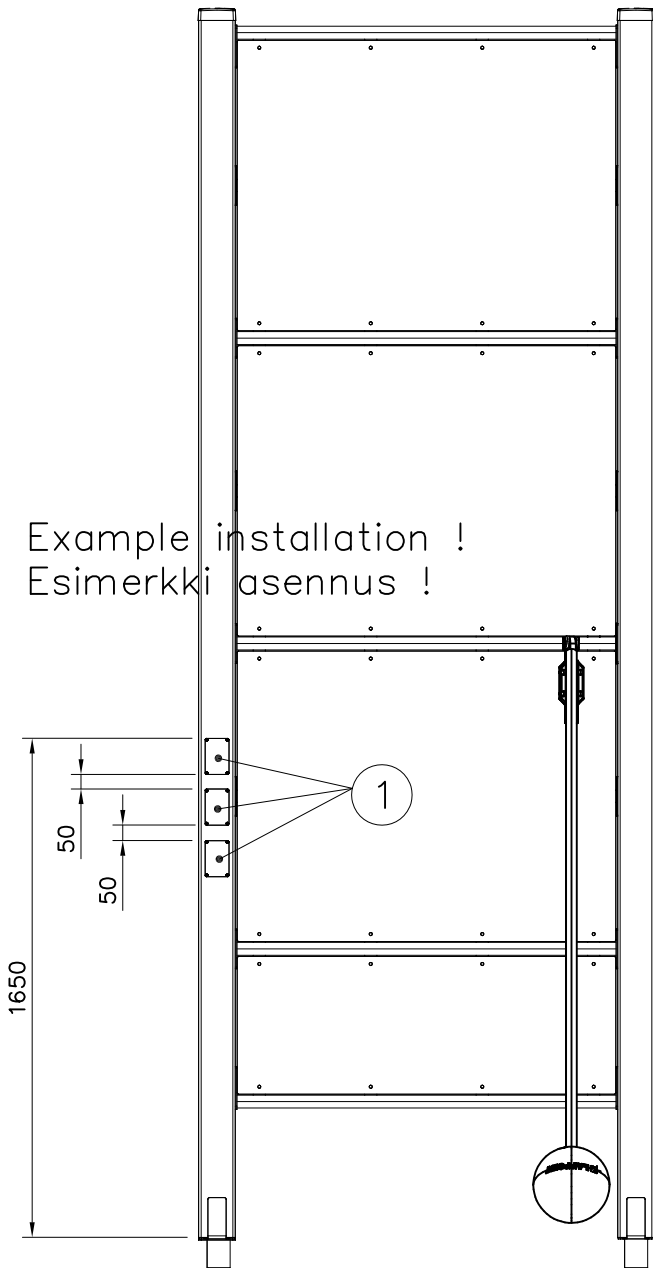
① SHEET METAL	PCS	② 980114	PCS
	1		4
118x78x0.7		Ø4x20	



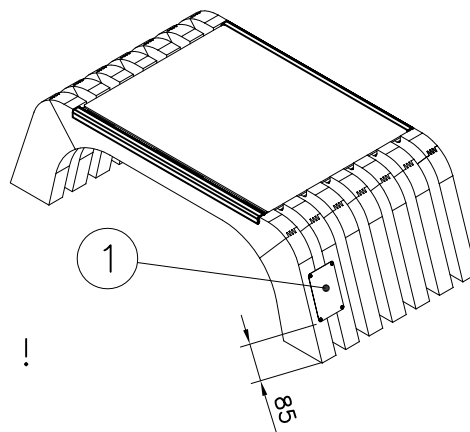
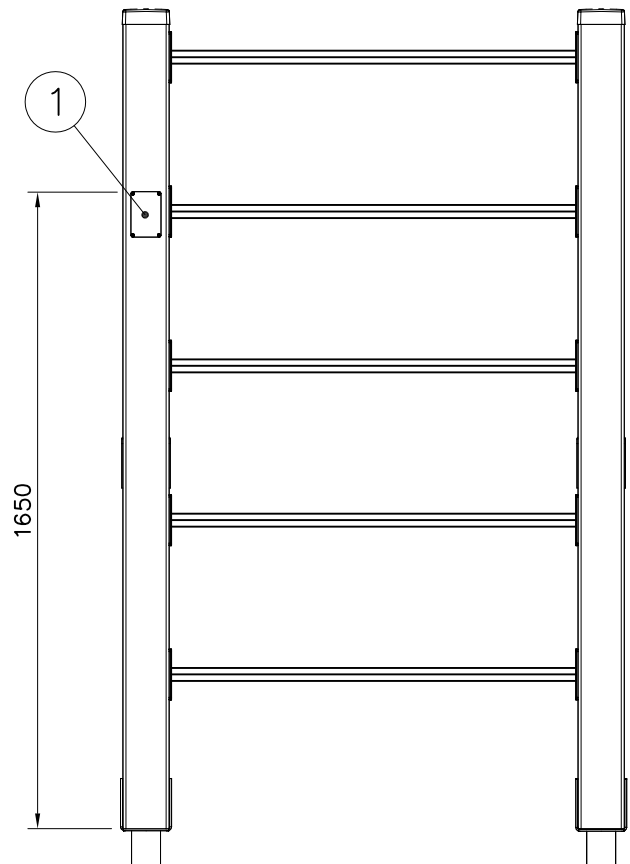
Example installation !  
Esimerkki asennus !

Example installation !  
Esimerkki asennus !

Example installation !  
Esimerkki asennus !



Example installation !  
Esimerkki asennus !



Example installation !  
Esimerkki asennus !