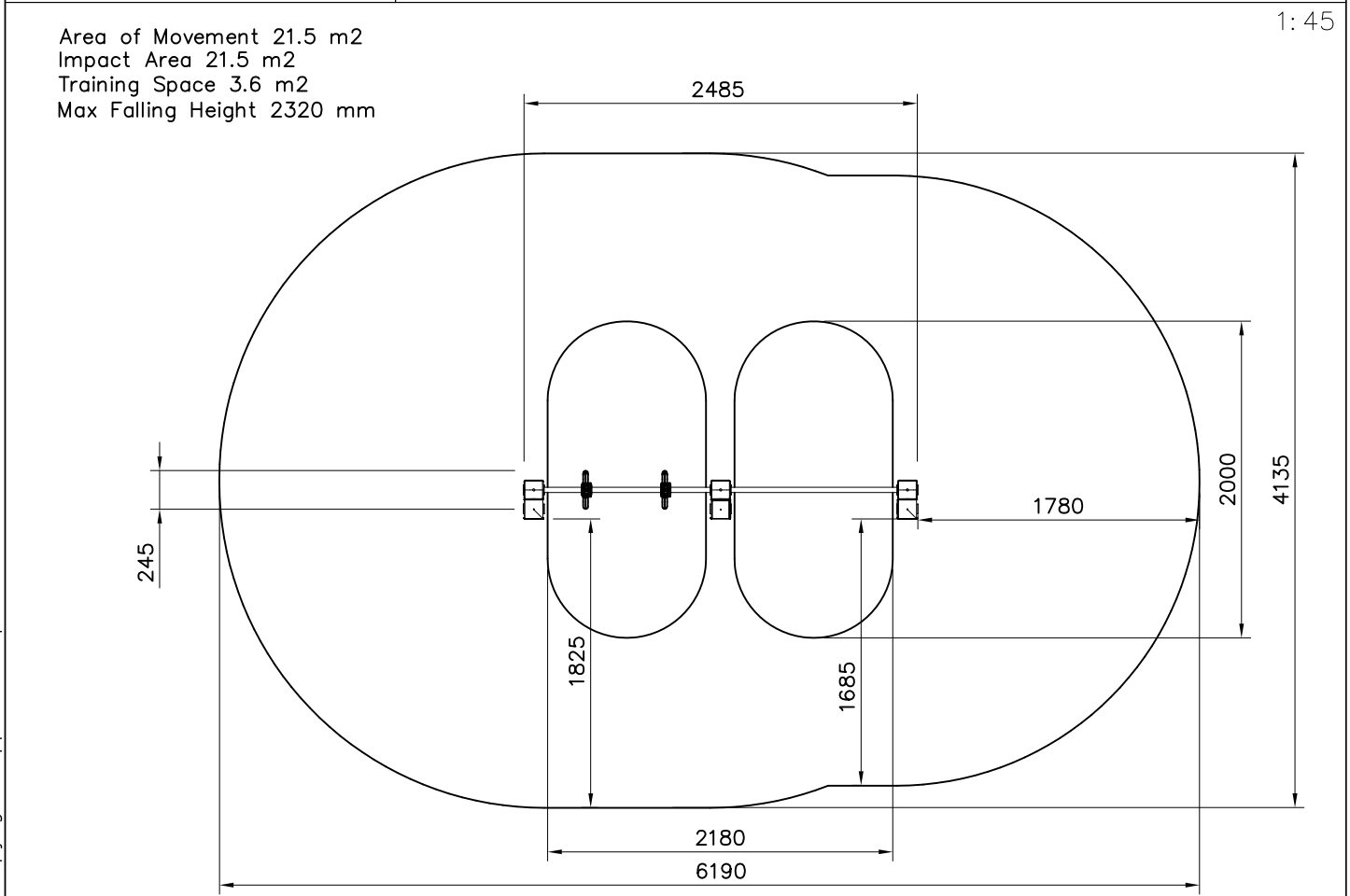
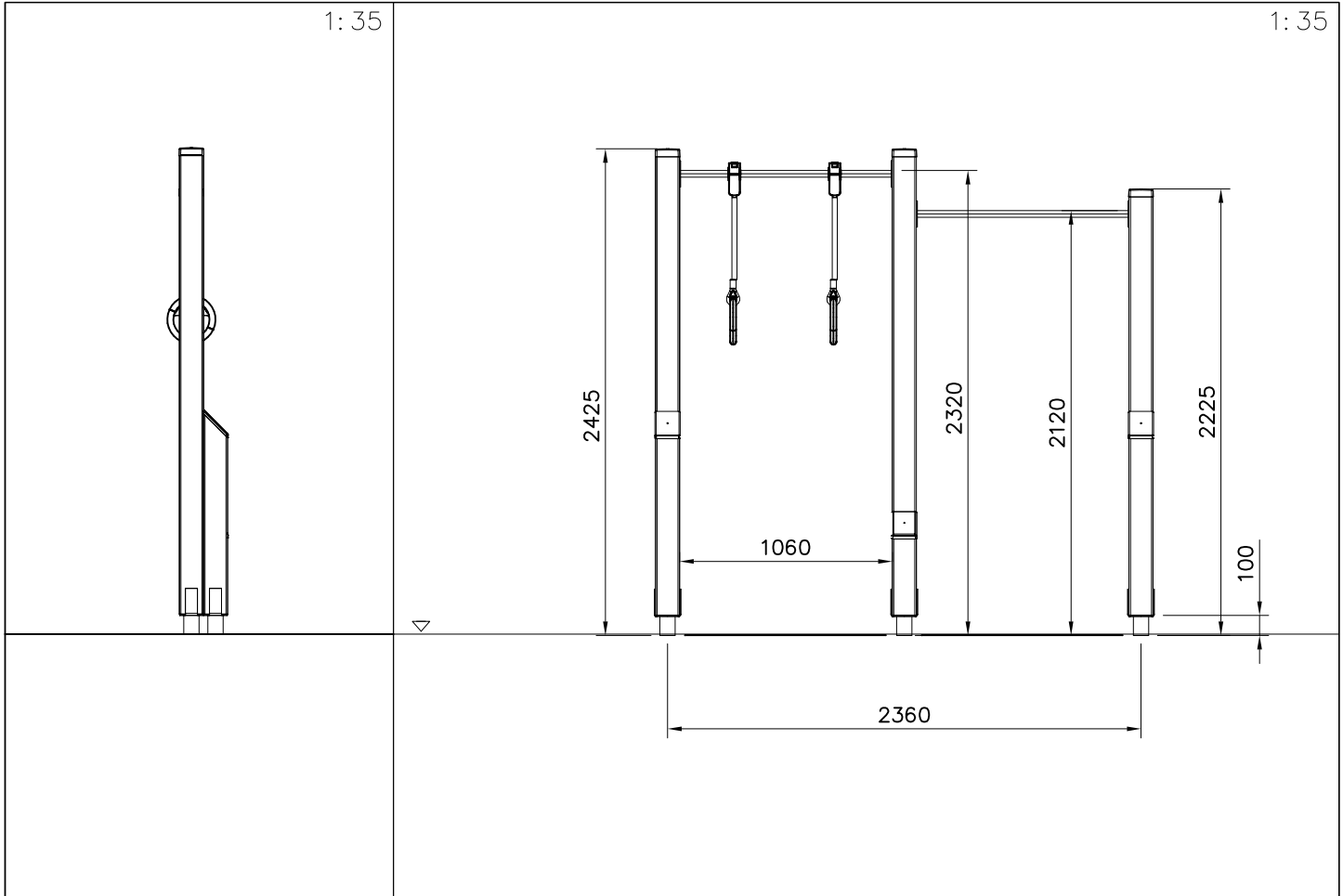
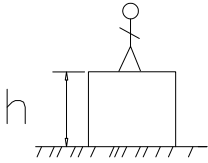



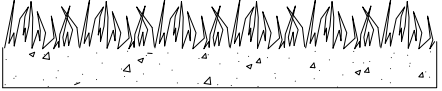
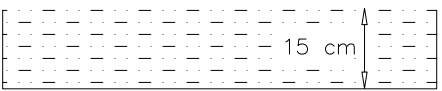
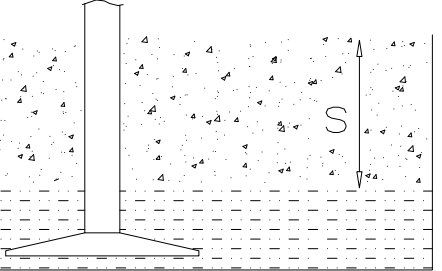
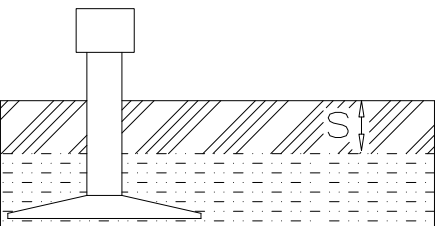




(1) 706030	PCS	(2) 705231	PCS
	1		1
		120x120x2290	
(3) 705335	PCS	(4) 705388	PCS
	2		1
120x120x1000		120x120x2090	
(5) 705402	PCS	(6) 705405	PCS
	1		1
120x120x2290		120x120x500	
(7) 705406	PCS	(8) 902195	PCS
	1		4
126x181x18		150x50x50	
(9) 902232	PCS	(10) 902233	PCS
	2		2
M10x55		M10x30	
(11) 706088	PCS	(12) 905103	PCS
	1		7
		PT-28/32-H	
(13) 905104	PCS	(14) 905761	PCS
	24		6
M10		120x120x700	
(15) 905830	PCS	(16) 905838	PCS
	3		2
123x123x40		L=1060	
(17) 906583	PCS	(18) 909246	PCS
	2		7
126x181x14x3		M12x140	
(19) 980114	PCS	(20) 980100	PCS
	8		3
Ø4x20		Ø5x60	
(21) 980104	PCS	(22) 980123	PCS
	3		40
Ø5x90		Ø7x60	
(23) 980154	PCS	(24) 980161	PCS
	7		4
Ø24/13		M10	
(25) 705040	PCS	(26) 906006	PCS
	2		4
Ø16x764		Ø64/34,5x59	
(27) 909256	PCS		PCS
	40		40
Ø16/8.4			

PARTS DET 29  
 PARTS DET 1  
 PARTS DET 16  
 705231  
 25  
 PARTS DET 43  
 705335  
 BASE  
 DET 10-12  
 OR 13-16  
 905830  
 905838  
 705388  
 906583  
 PARTS DET 8  
 PARTS DET 44  
 705406  
 081245  
 705405



												
<p><b><math>h &lt; 600</math></b></p> <p>Without movement and therefore without Impact Area</p>	<p>Totally hard surfaces.</p> <p>Note. Lappset does <u>not recommend</u> totally hard surfaces at all.</p>	<p>E.g. concrete or asphalt</p> 										
<p><b><math>h &lt; 600</math></b></p> <p>With movement e.g. rocking</p>	<p>Materials with very limited impact attenuating properties.</p>	<p>E.g. wood</p> 										
<p><b><math>h &lt; 1000</math></b></p>	<p>Materials with significant impact attenuating properties.</p>	<p>fine gravel 0–8 mm</p>  <p>grass</p>  <p>unsorted sand</p> 										
<p><b><math>h &lt; 3000</math></b></p>	<p>Loose fill material</p> <p>E.g. sand/gravel 0,25...8 mm D60/D10&lt;3,0 Woodchips 5...30 mm bark 20...80 mm</p>	 <table data-bbox="1024 1691 1332 1780"> <tr> <td><math>\underline{S}</math></td> <td><math>\underline{h}</math></td> </tr> <tr> <td>30 cm</td> <td>&lt; 2,0 m</td> </tr> <tr> <td>40 cm</td> <td>&lt; 3,0 m</td> </tr> </table>	$\underline{S}$	$\underline{h}$	30 cm	< 2,0 m	40 cm	< 3,0 m				
$\underline{S}$	$\underline{h}$											
30 cm	< 2,0 m											
40 cm	< 3,0 m											
	<p>Syntethic granulates</p> <table data-bbox="406 1892 758 2060"> <tr> <td><math>\underline{S}</math></td> <td><math>\underline{h}</math></td> </tr> <tr> <td>40 mm</td> <td>~&gt; 1,2...1,3 m</td> </tr> <tr> <td>50 mm</td> <td>~&gt; 1,5...1,7 m</td> </tr> <tr> <td>60 mm</td> <td>~&gt; 1,8...2,0 m</td> </tr> <tr> <td>70 mm</td> <td>~&gt; 2,1...2,5 m</td> </tr> </table> <p>Note. For accurate values, see manufacturer's instructions.</p>	$\underline{S}$	$\underline{h}$	40 mm	~> 1,2...1,3 m	50 mm	~> 1,5...1,7 m	60 mm	~> 1,8...2,0 m	70 mm	~> 2,1...2,5 m	
$\underline{S}$	$\underline{h}$											
40 mm	~> 1,2...1,3 m											
50 mm	~> 1,5...1,7 m											
60 mm	~> 1,8...2,0 m											
70 mm	~> 2,1...2,5 m											

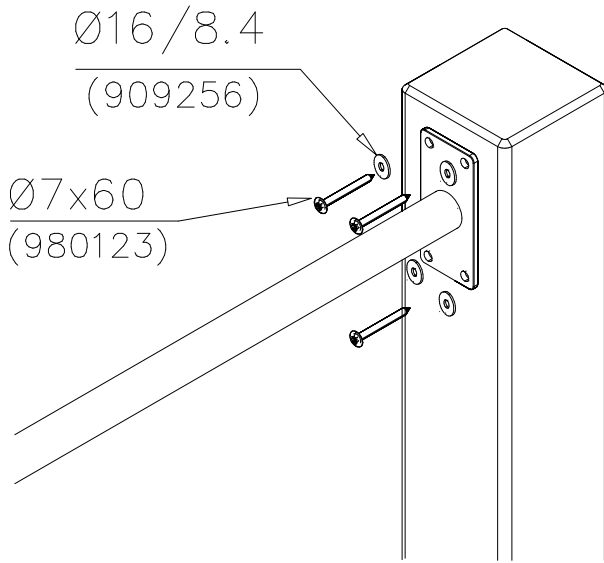
REMOVE SAFETY SURFACE/SAND/GRAVEL  
TO CHECK FOUNDATION



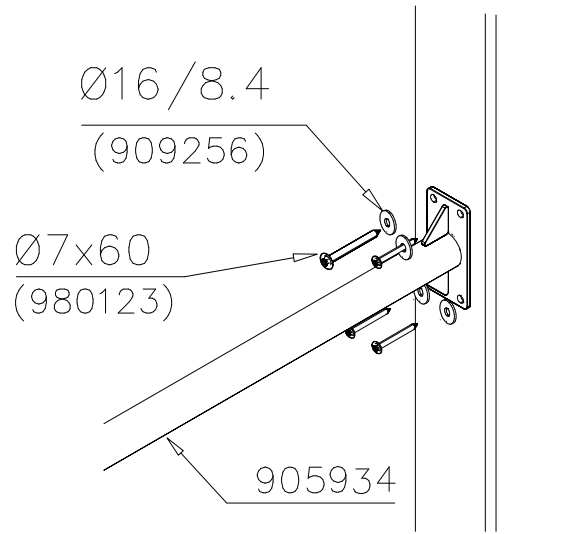
REMOVE SAFETY SURFACE/SAND/GRAVEL  
TO CHECK FOUNDATION



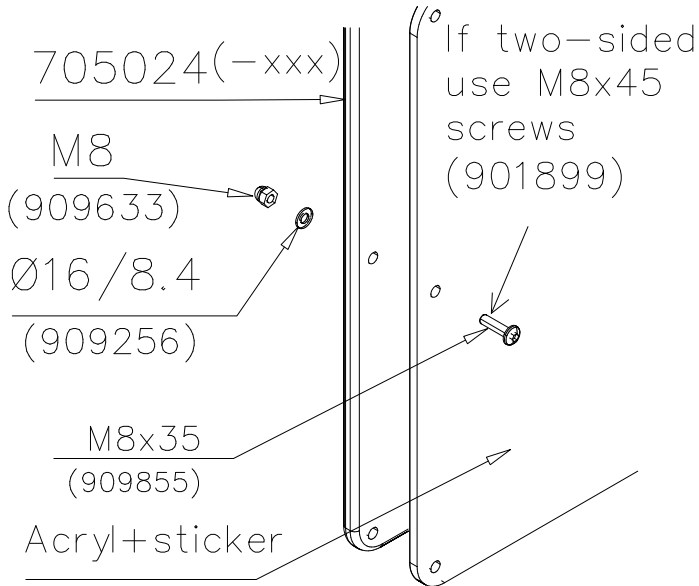
DET 1



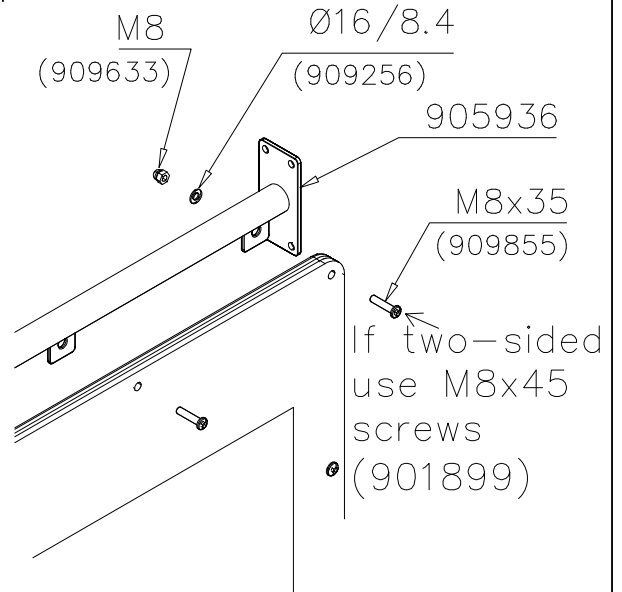
DET 2



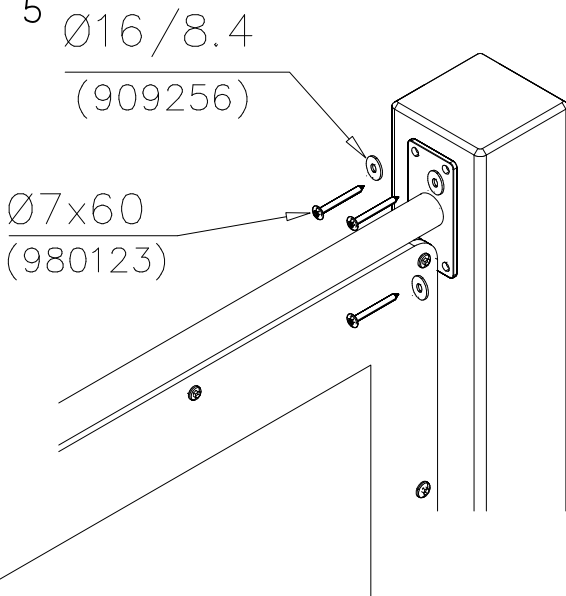
DET 3



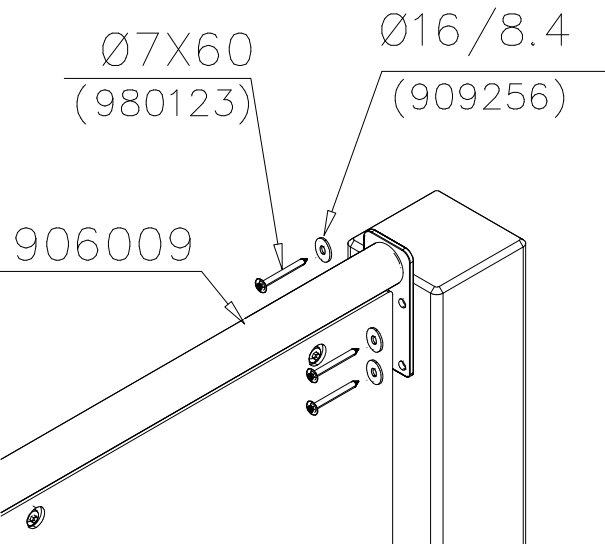
DET 4

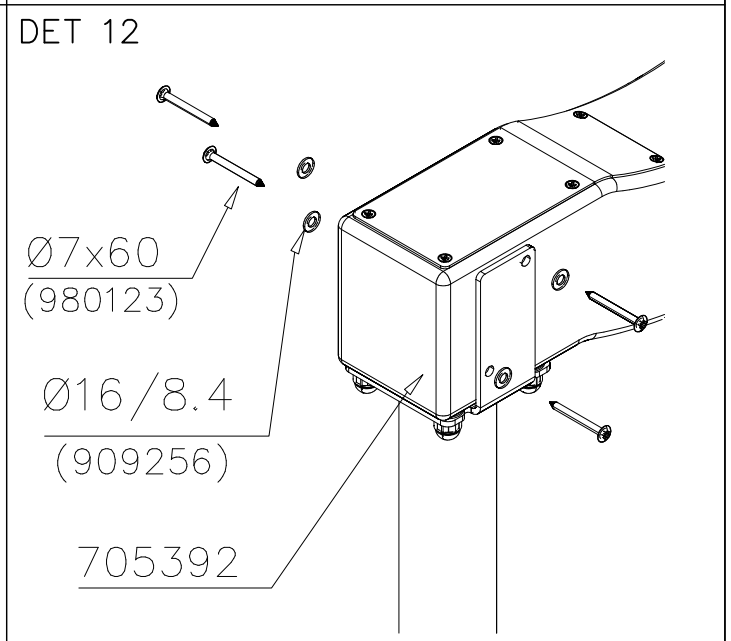
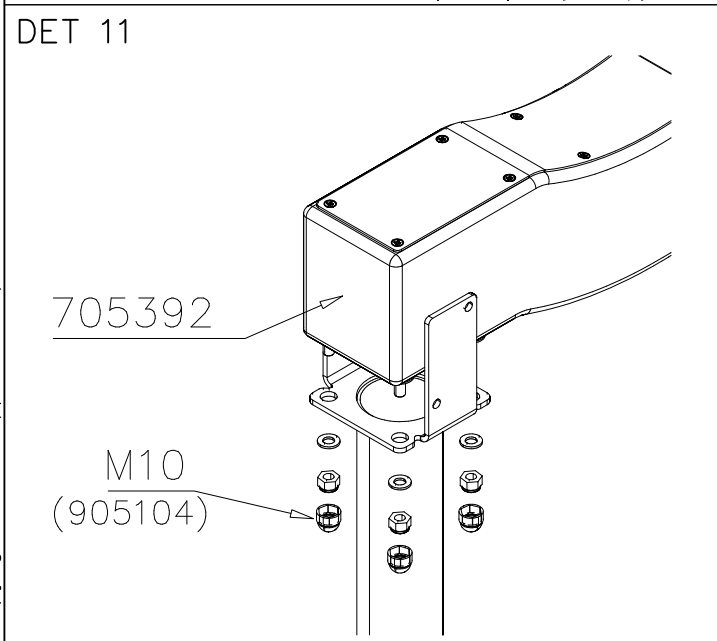
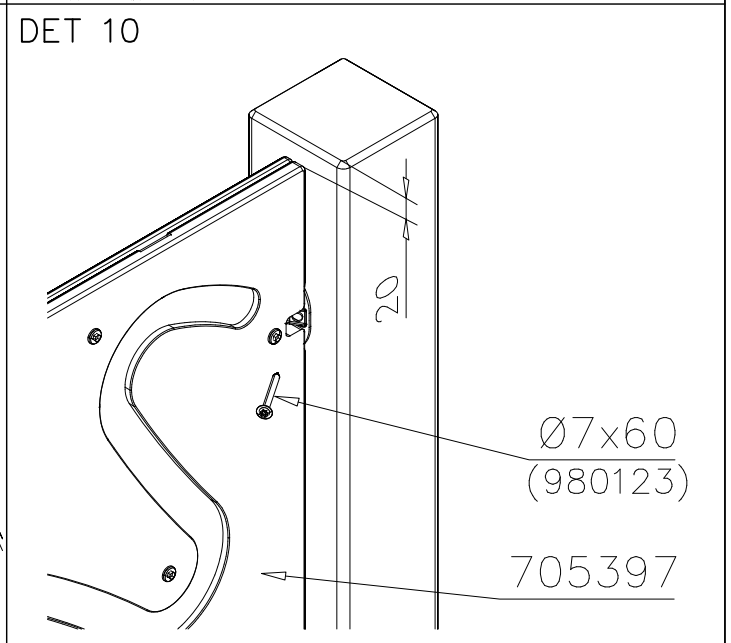
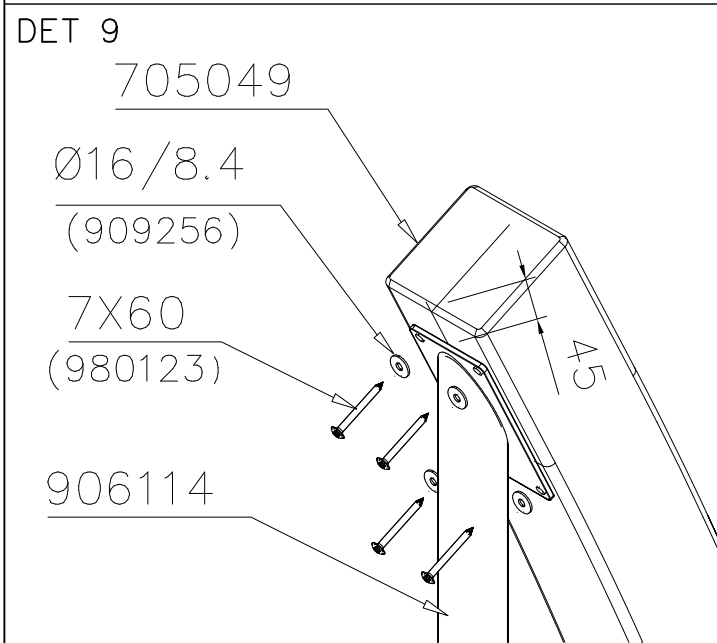
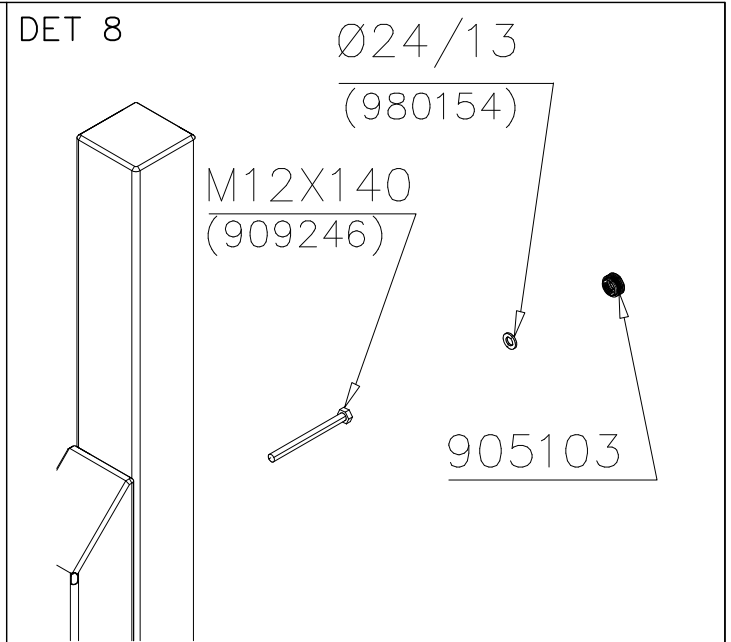
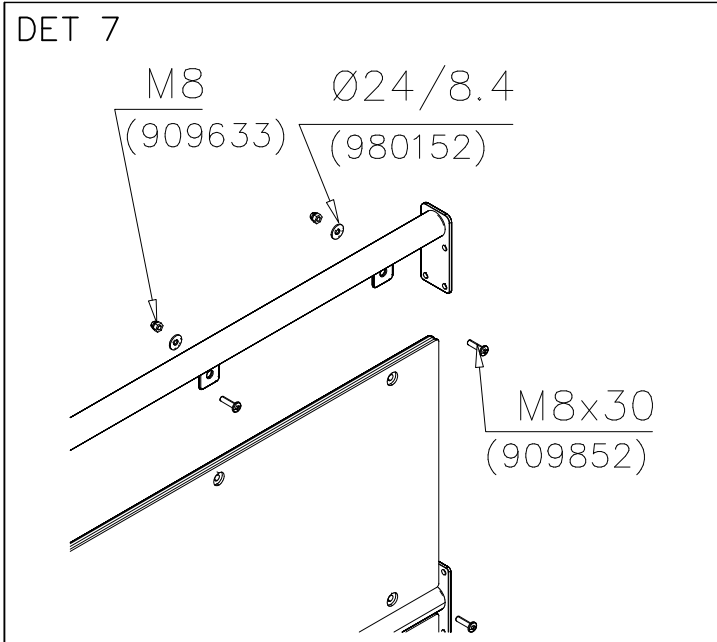


DET 5

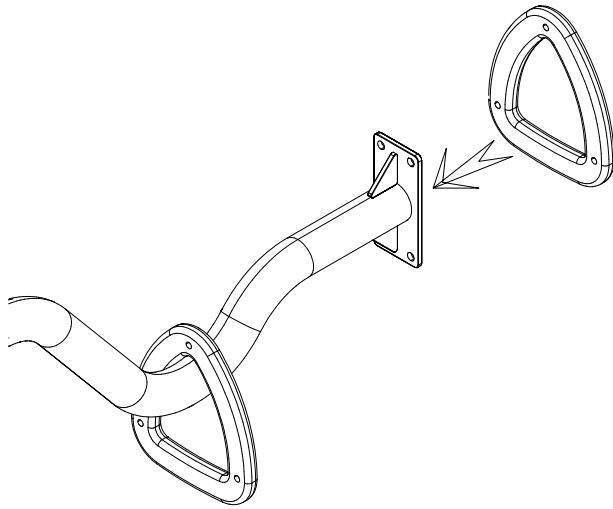


DET 6

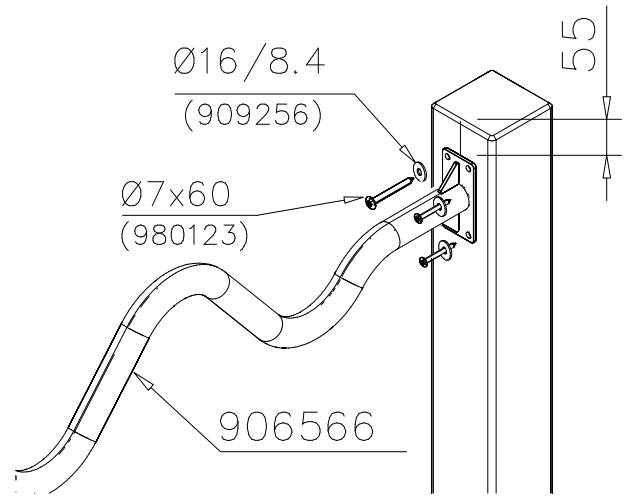




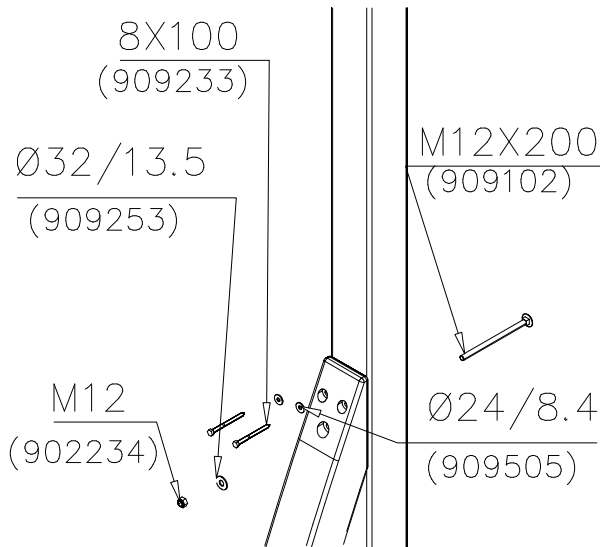
DET 13



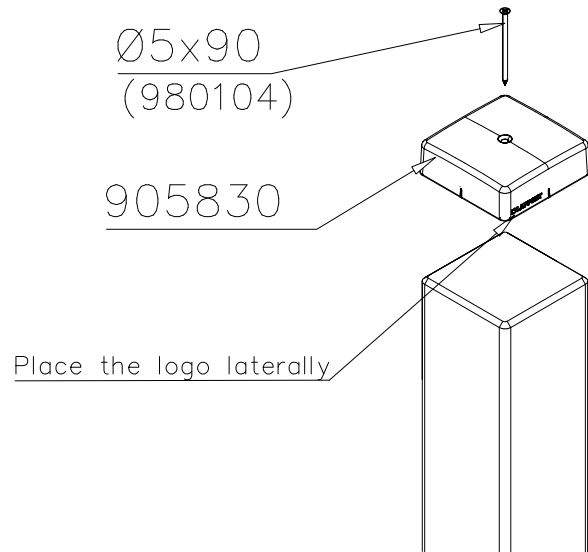
DET 14



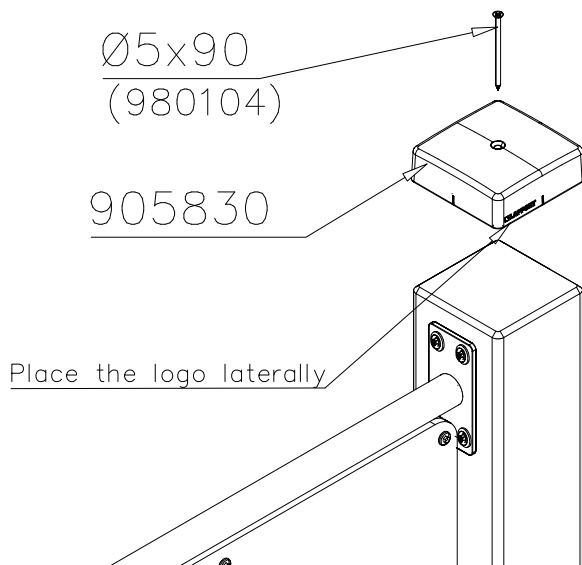
DET 15



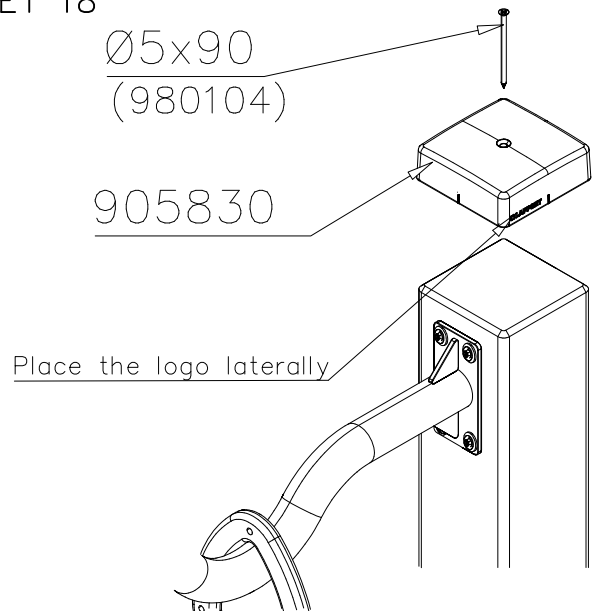
DET 16

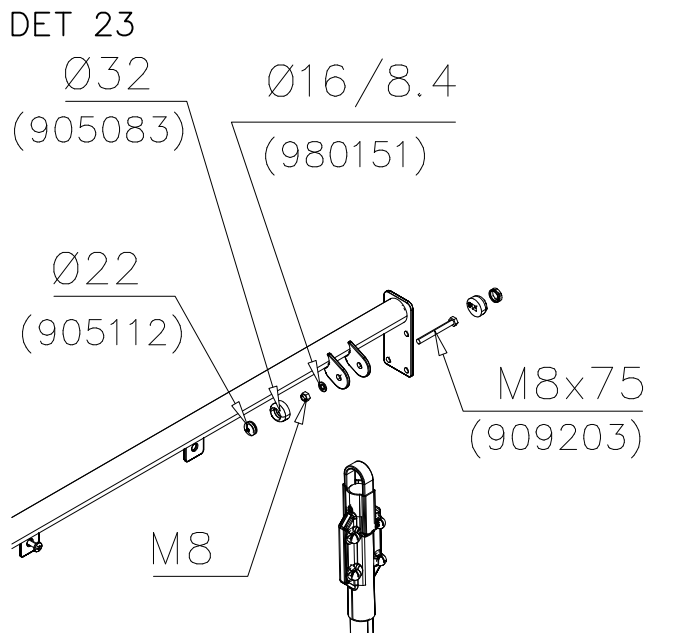
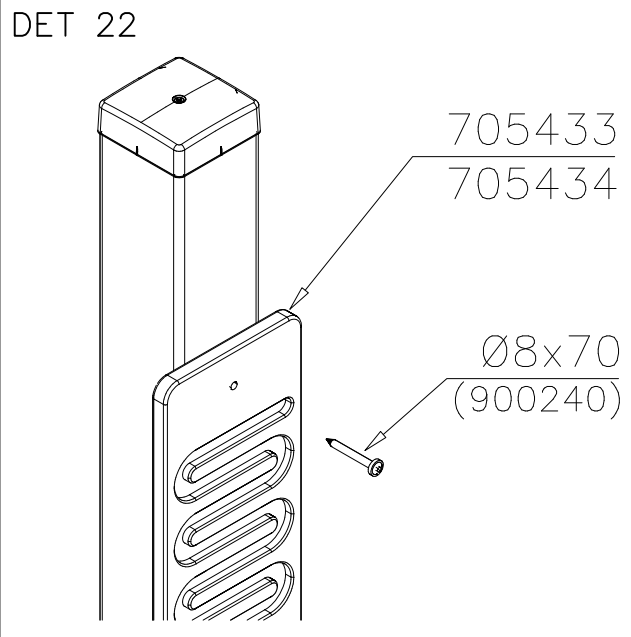
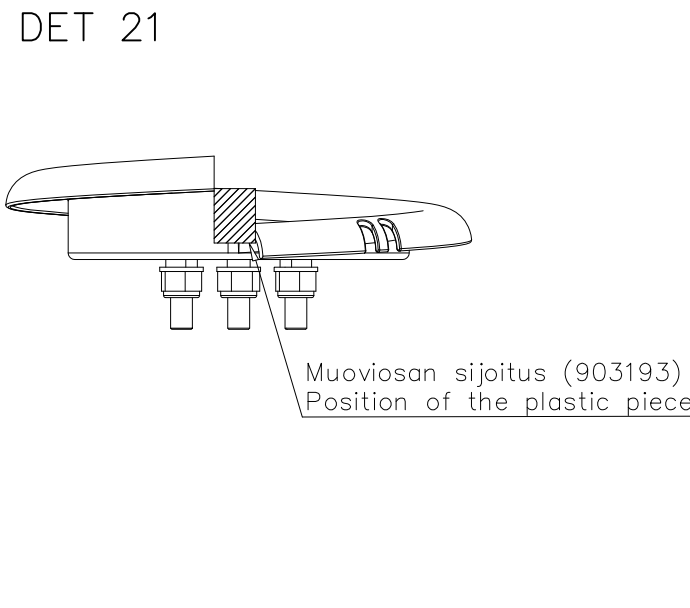
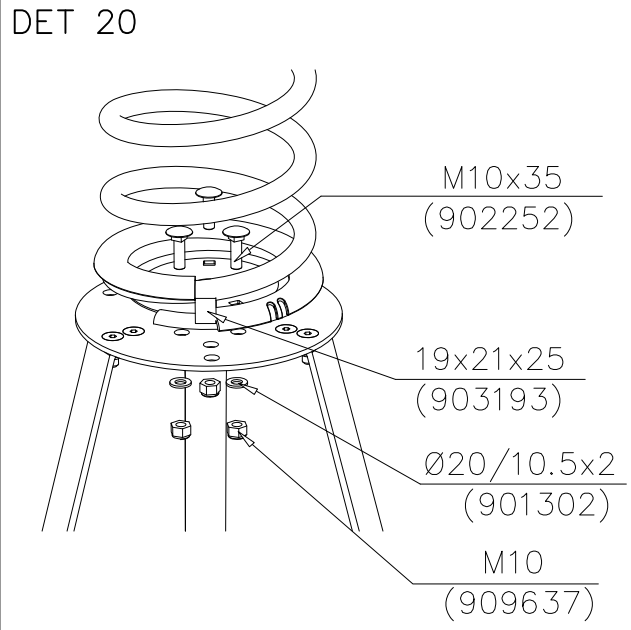
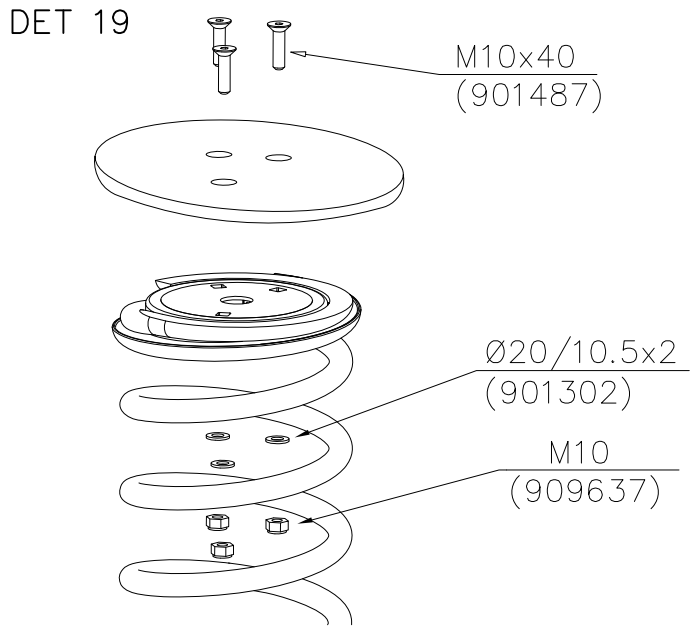


DET 17

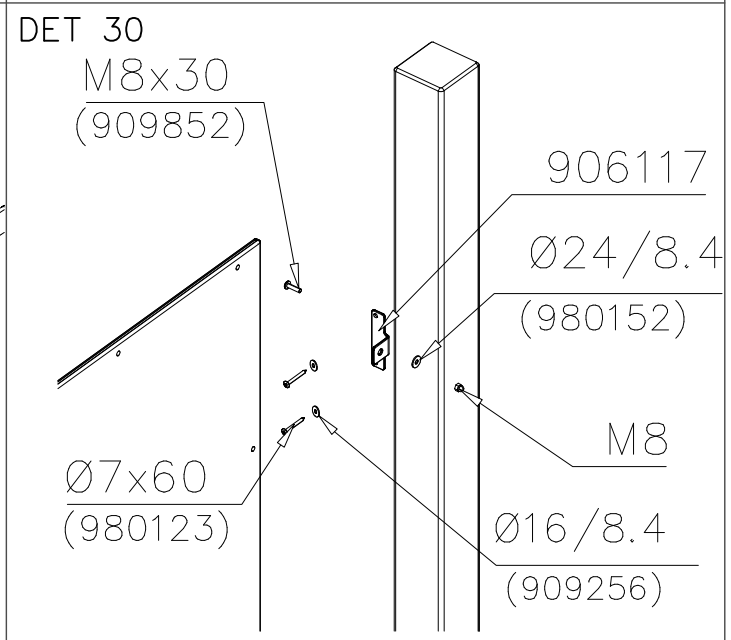
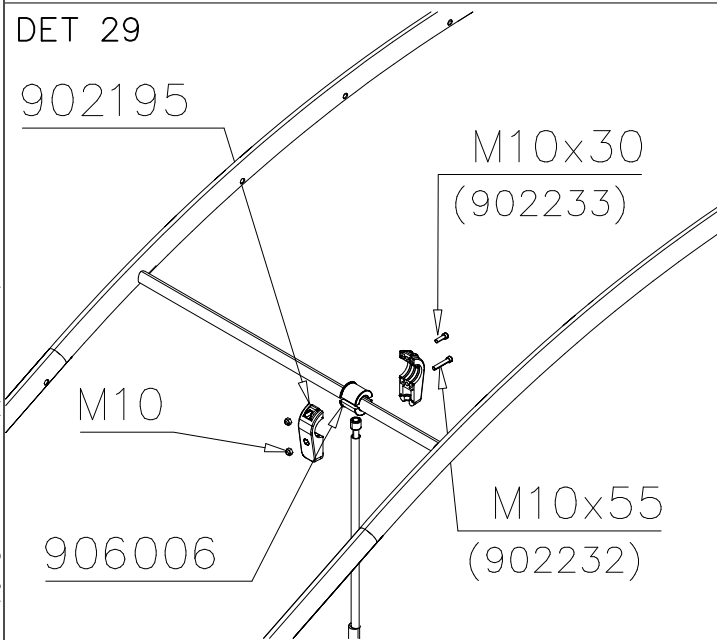
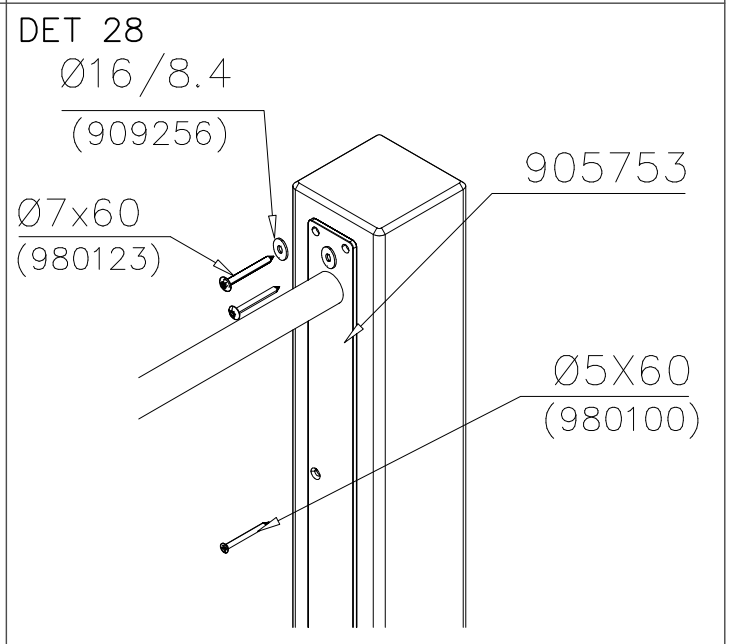
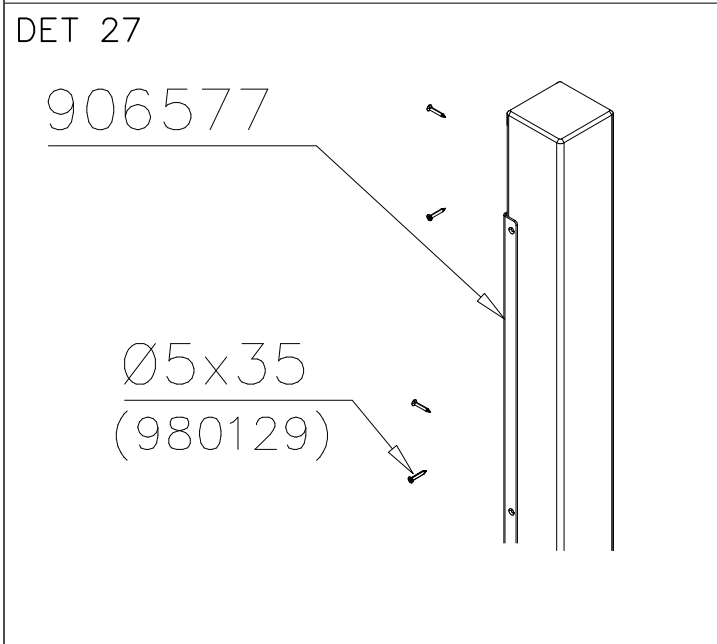
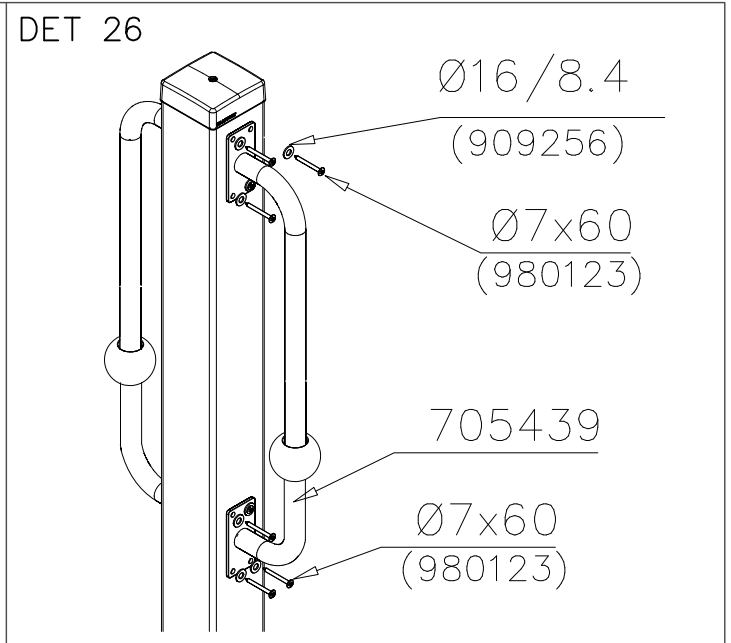
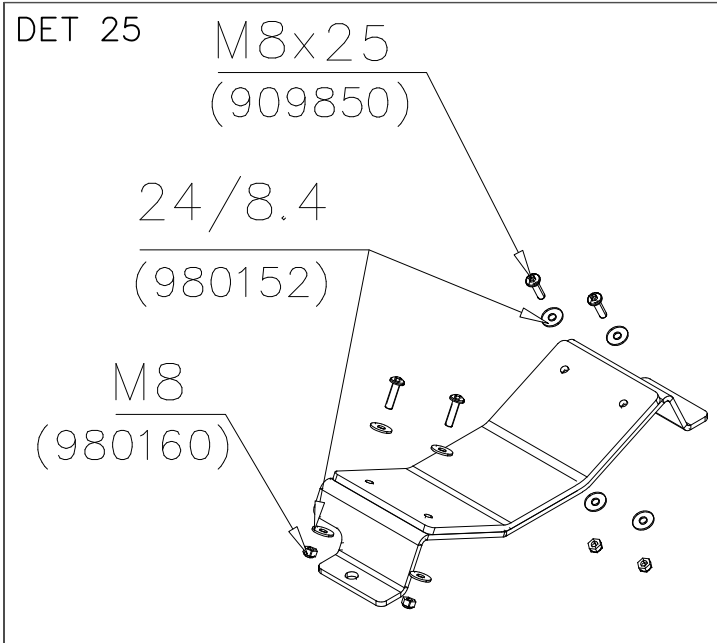


DET 18

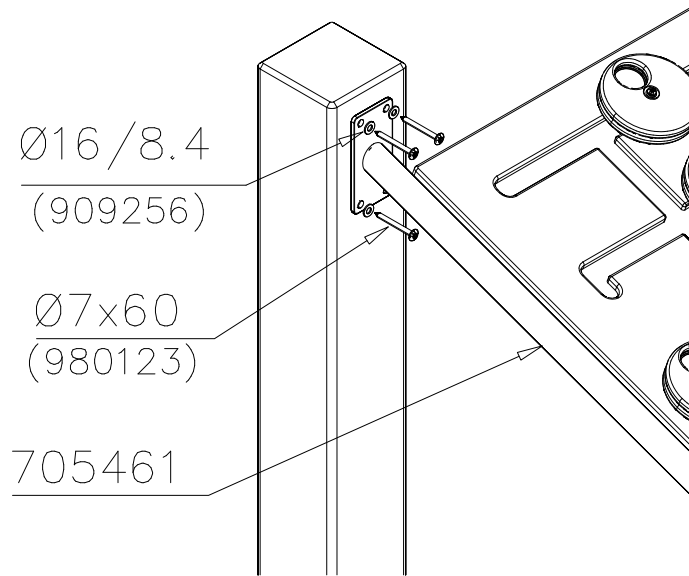




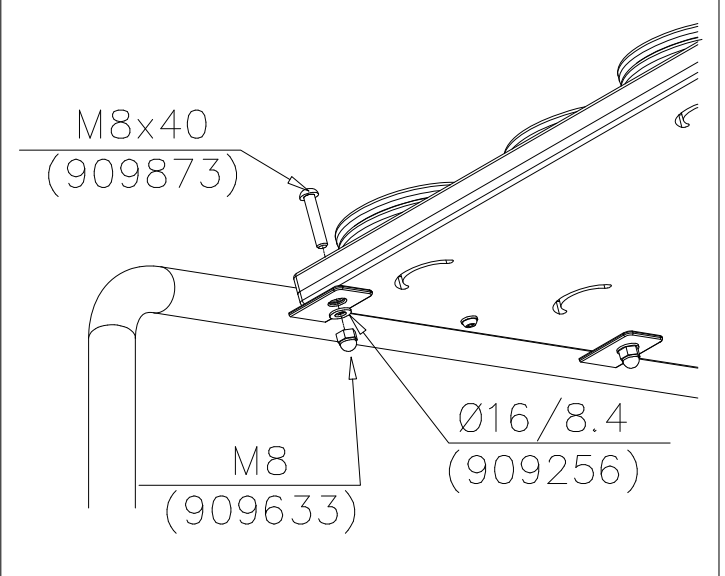




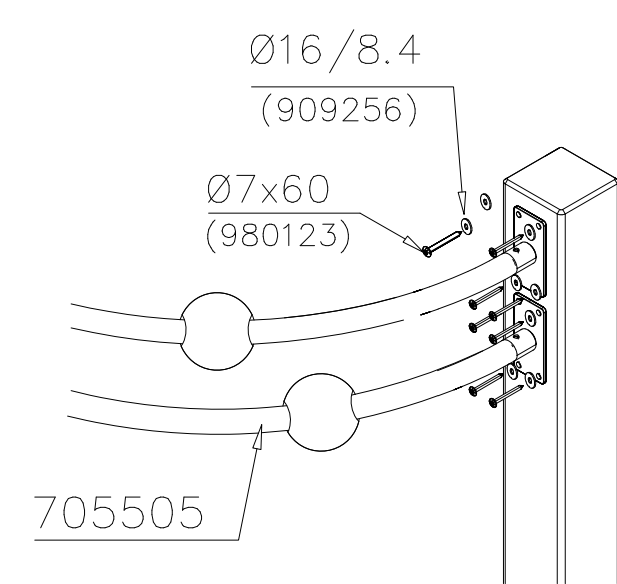
DET 31



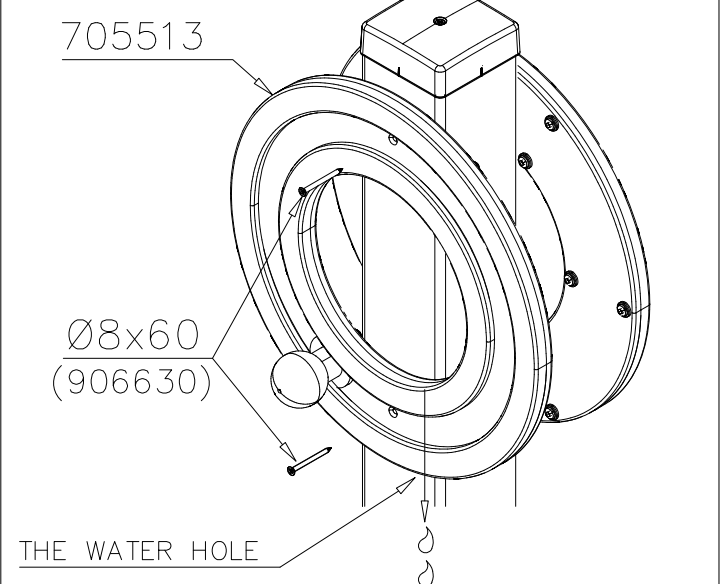
DET 32



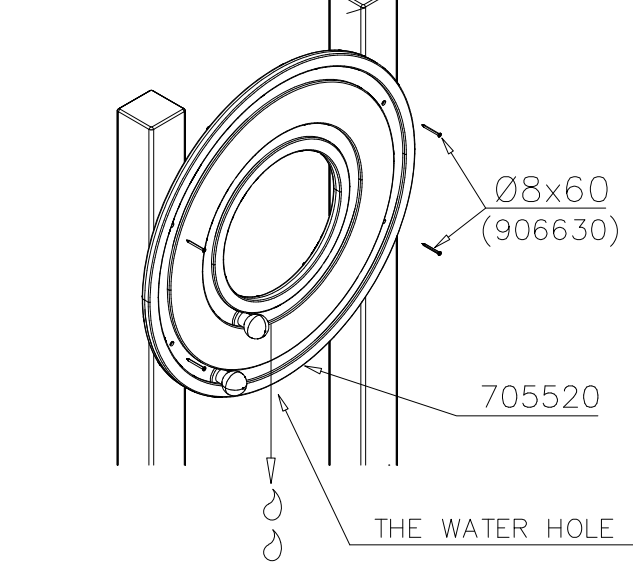
DET 33



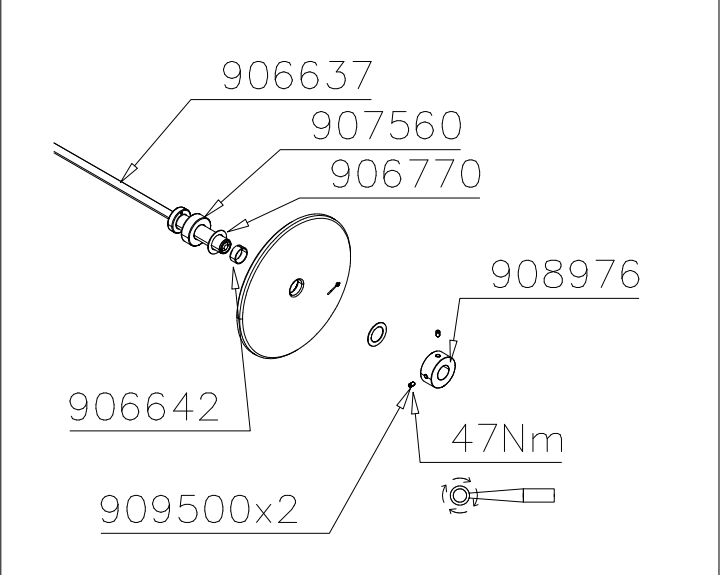
DET 34



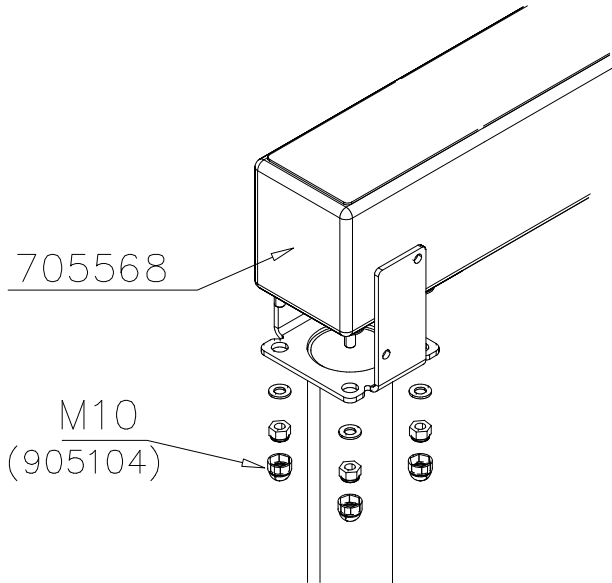
DET 35



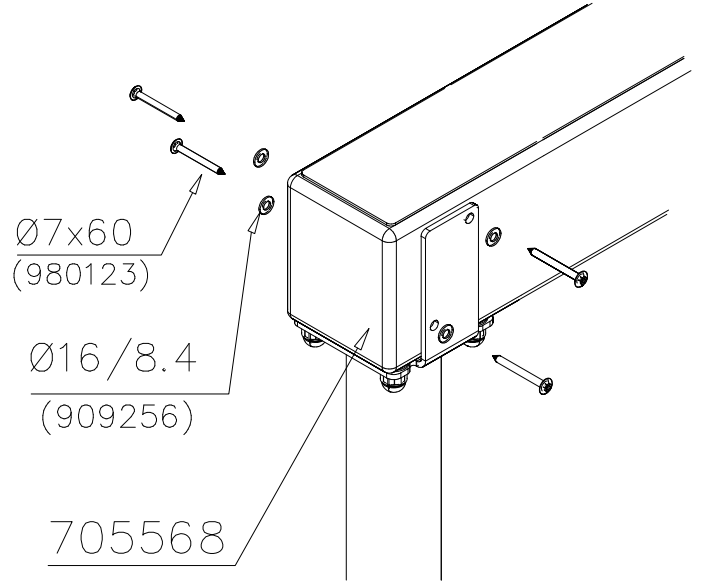
DET 36



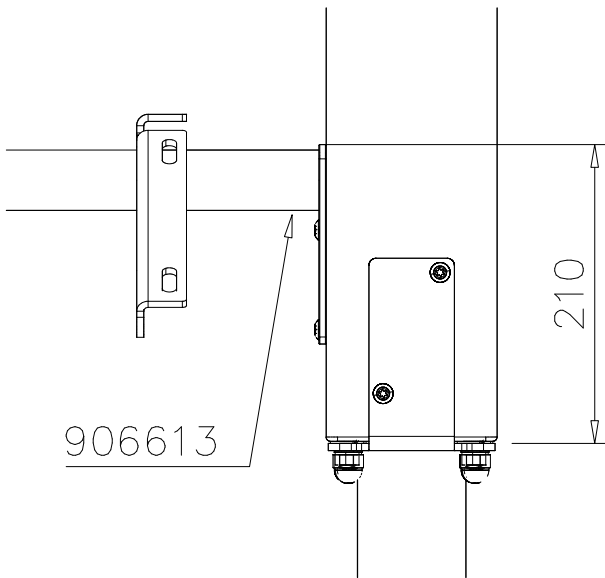
DET 37



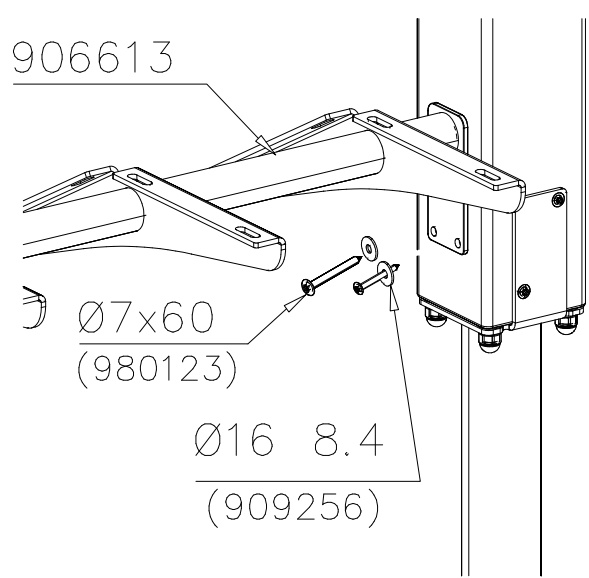
DET 38



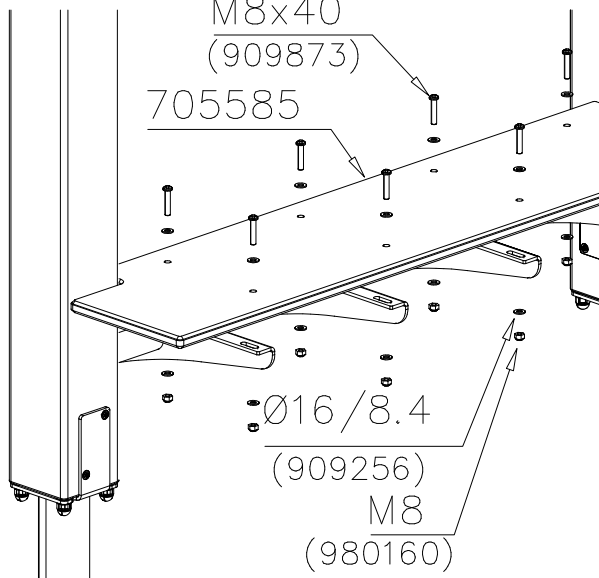
DET 39



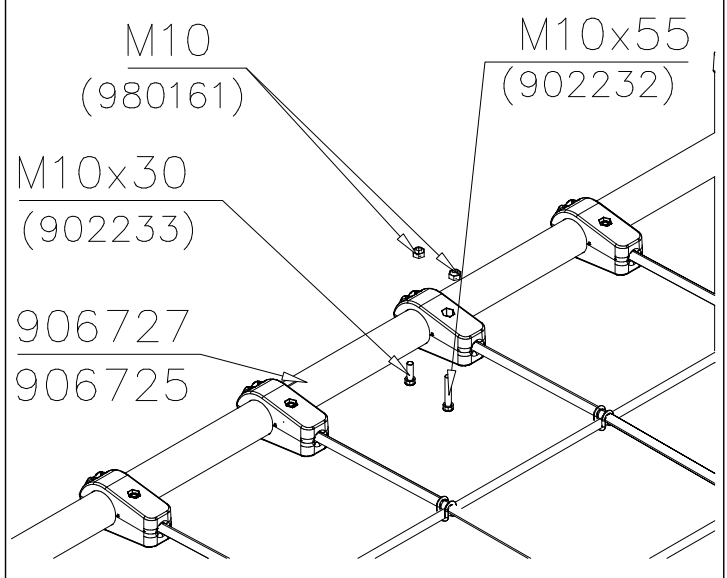
DET 40

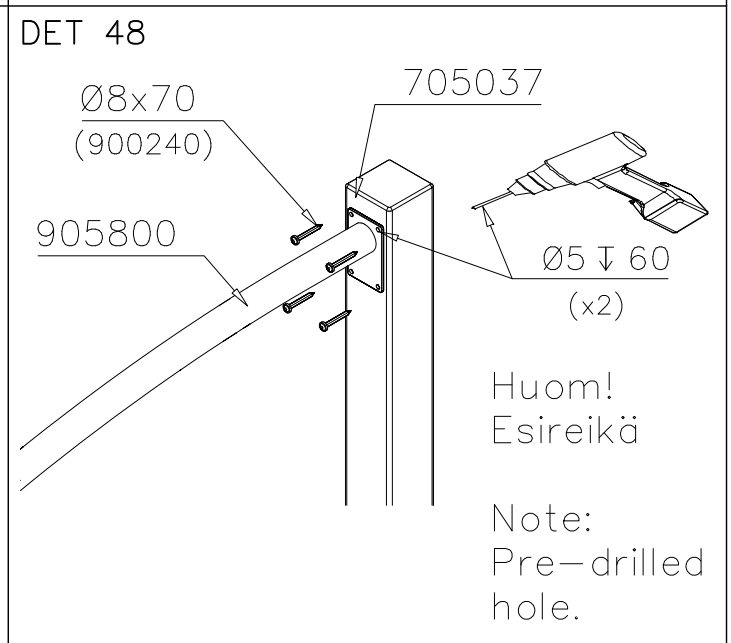
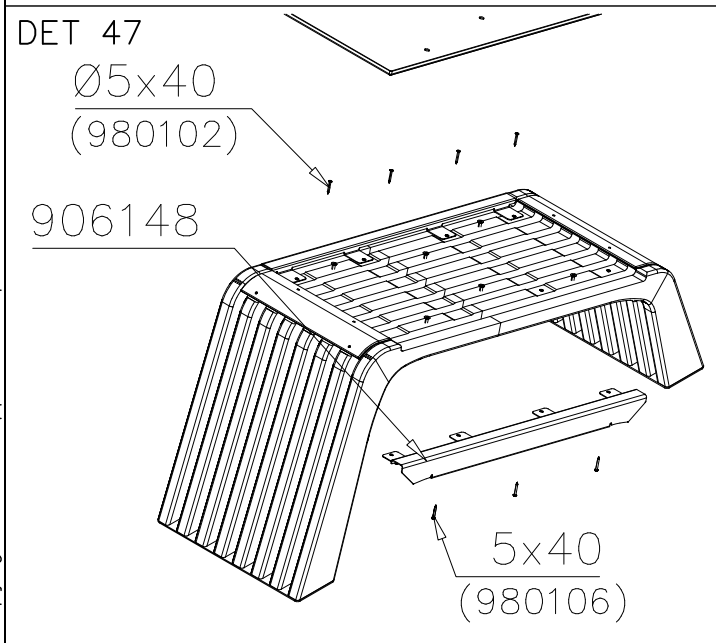
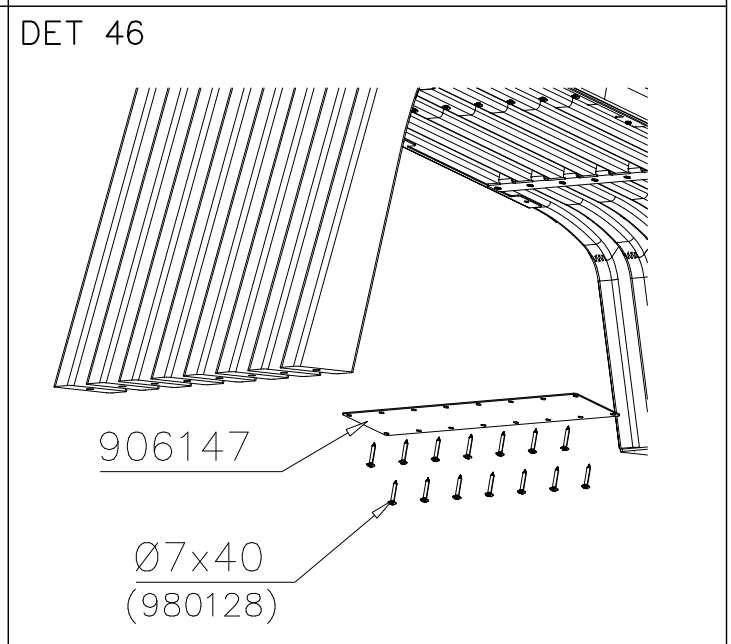
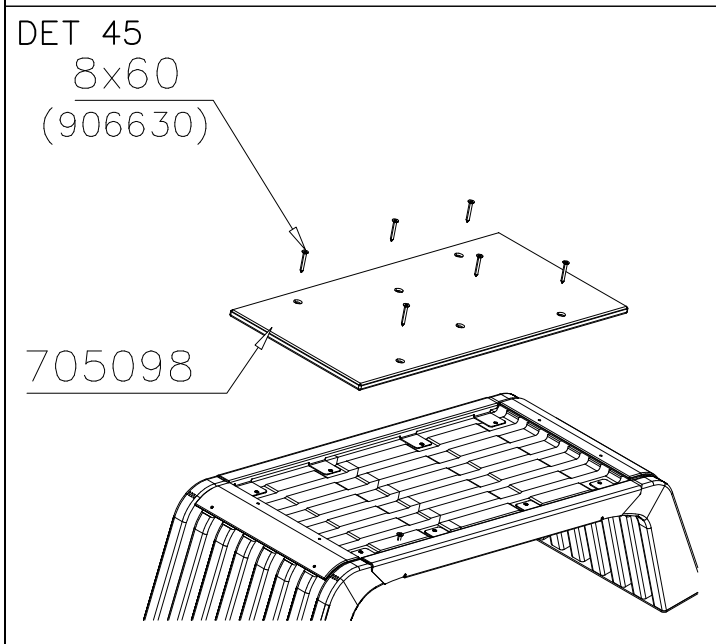
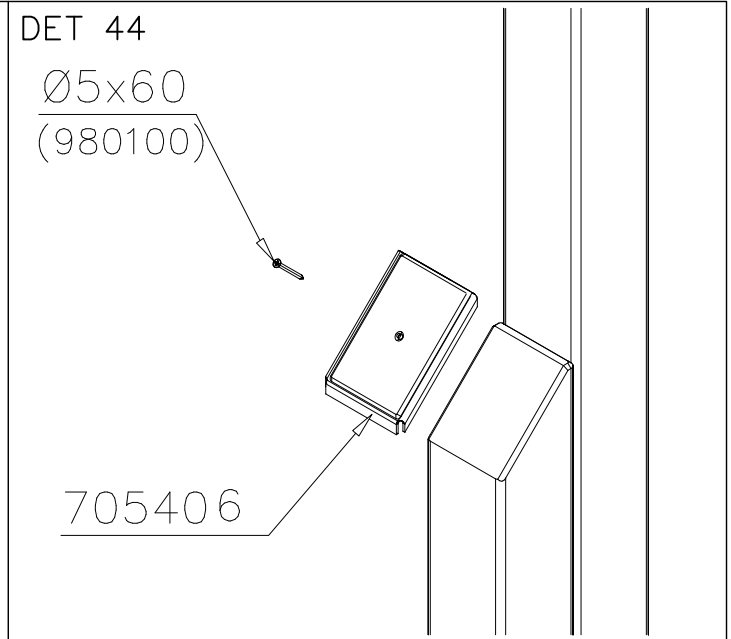
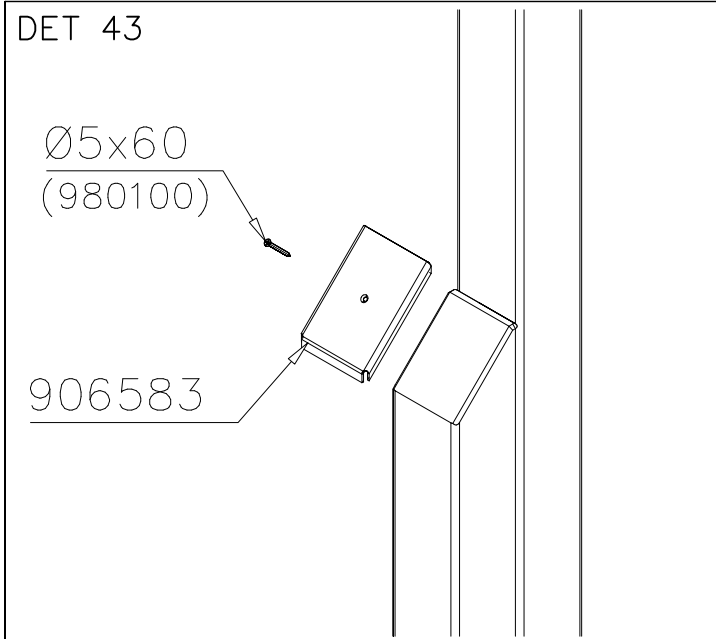


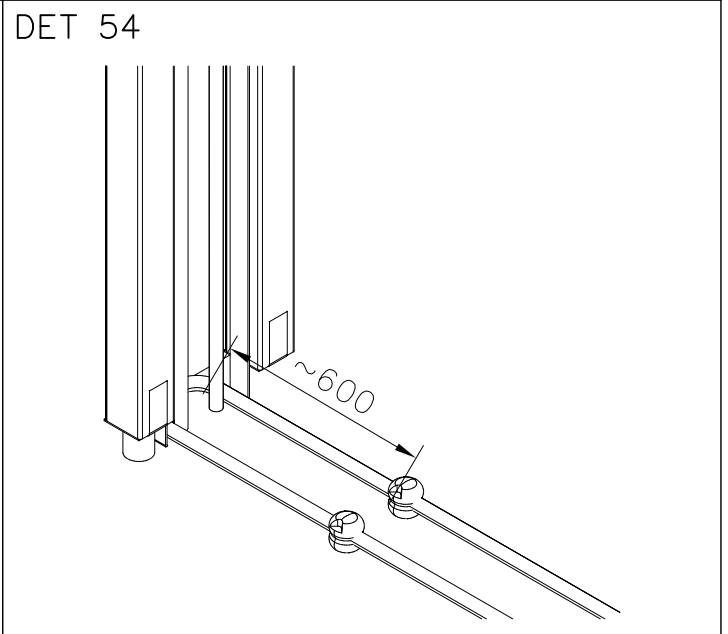
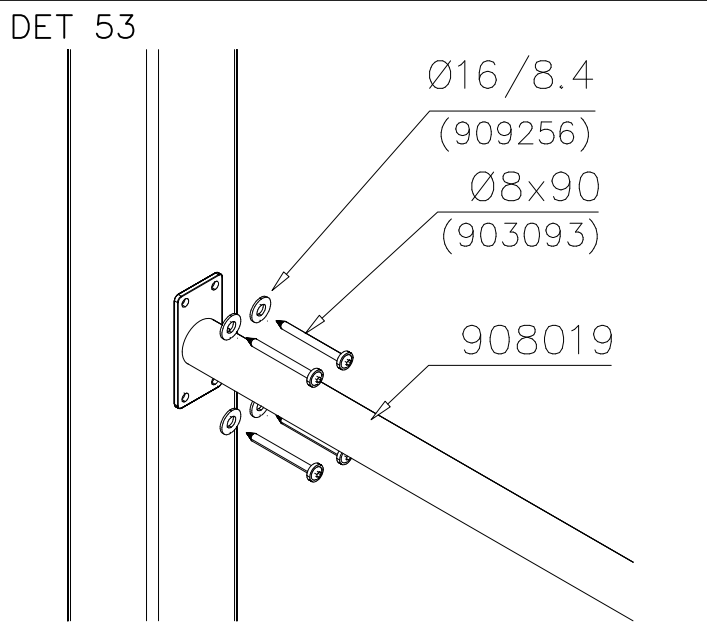
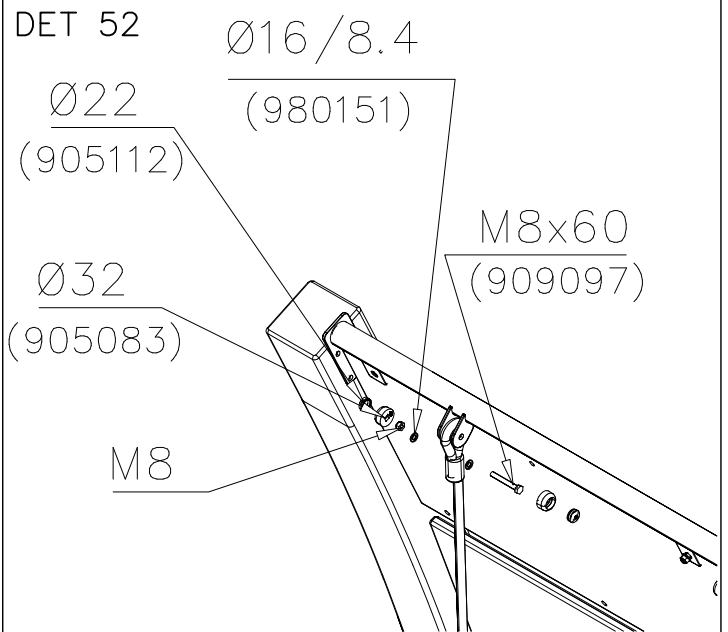
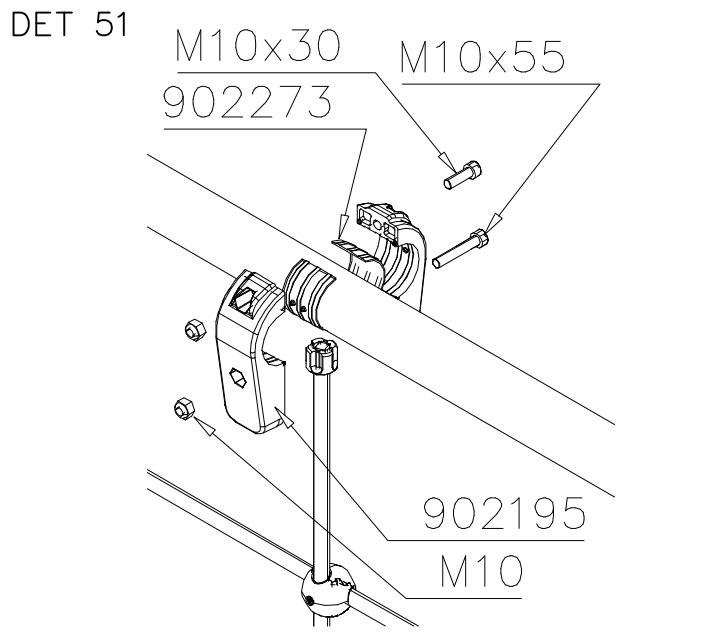
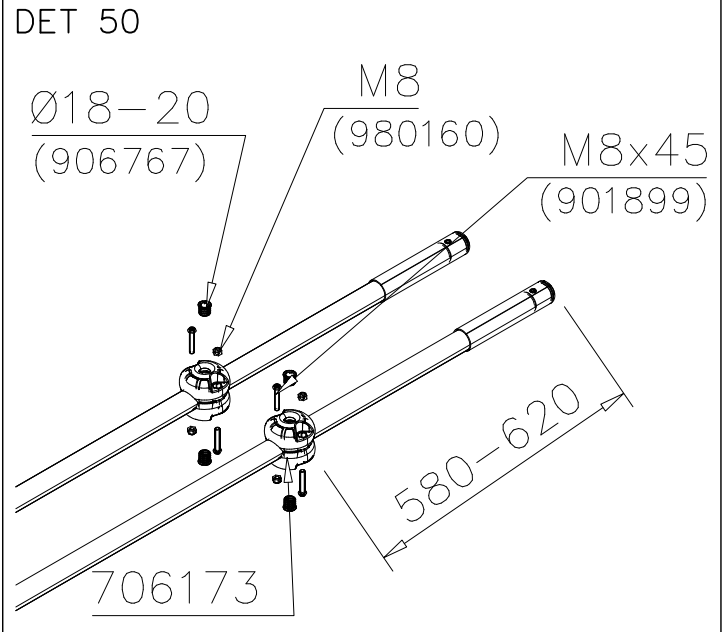
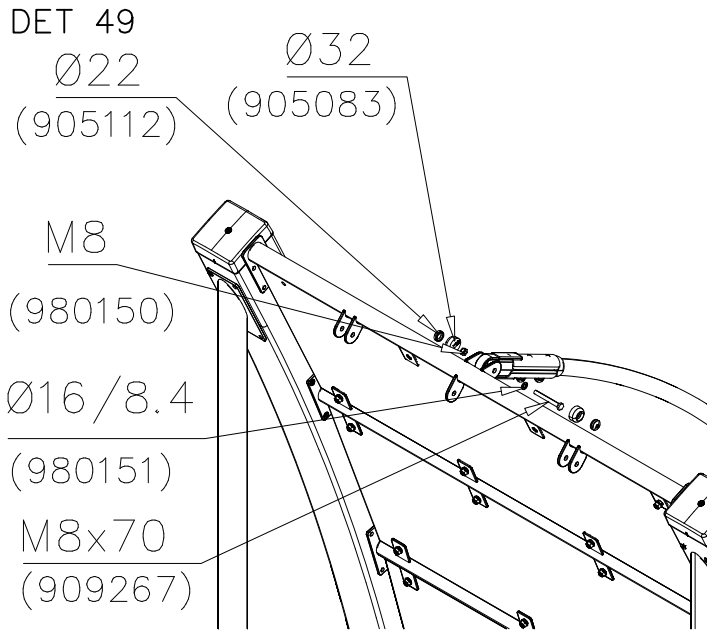
DET 41



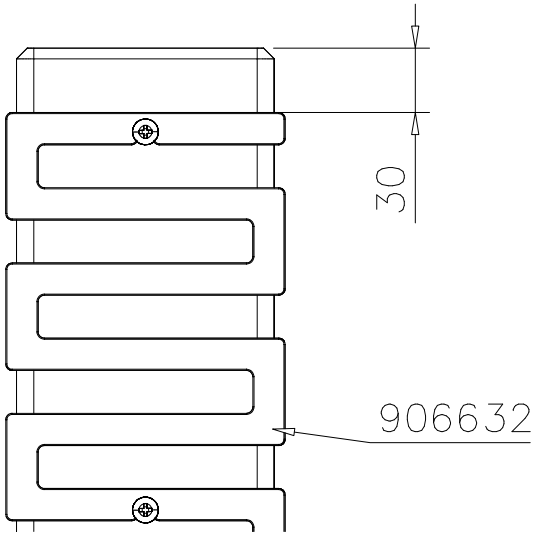
DET 42



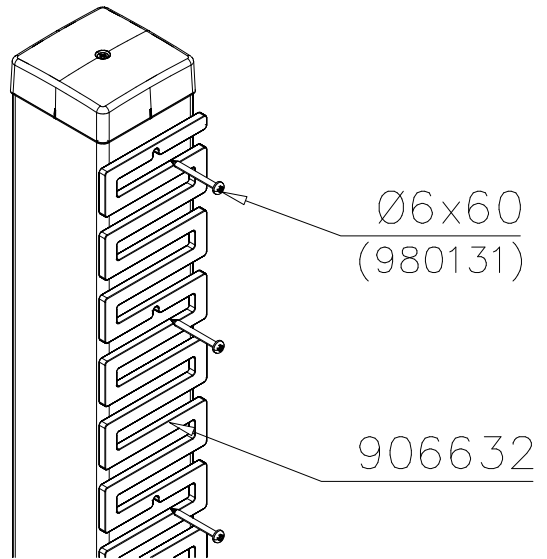




DET 55



DET 56



DET 57

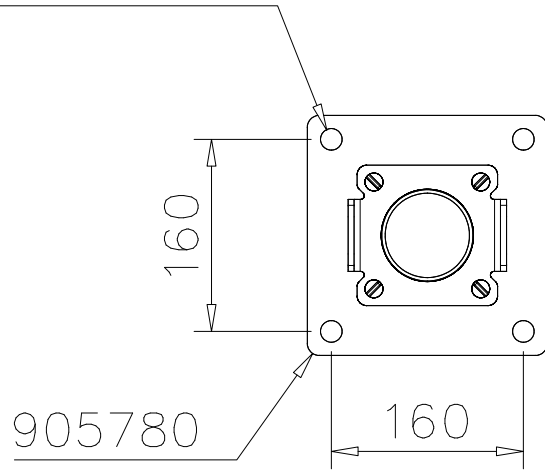
DET 58

DET 59

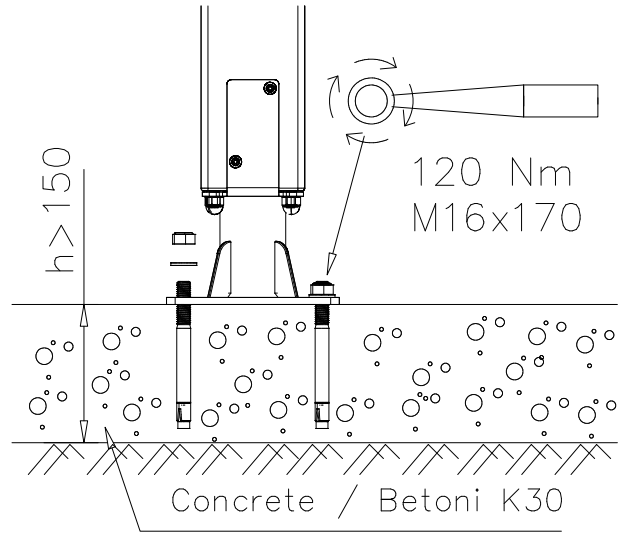
DET 60

DET 1

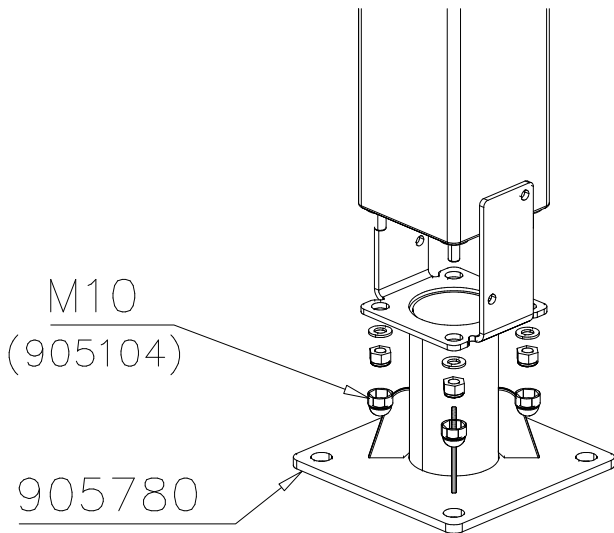
$\varnothing 16 \downarrow > 130$



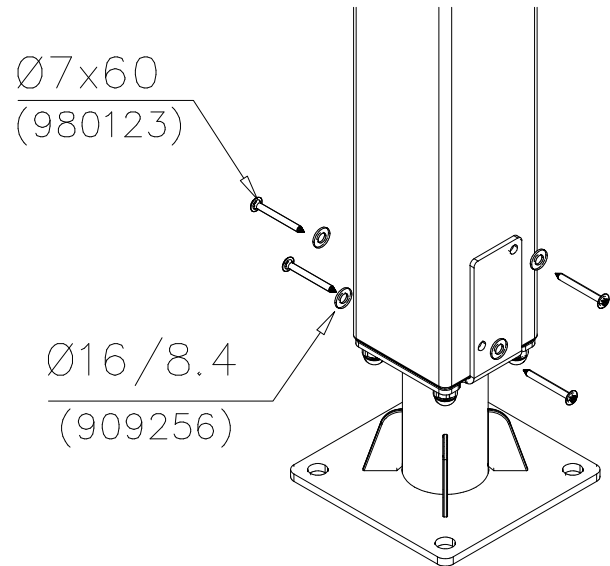
DET 2



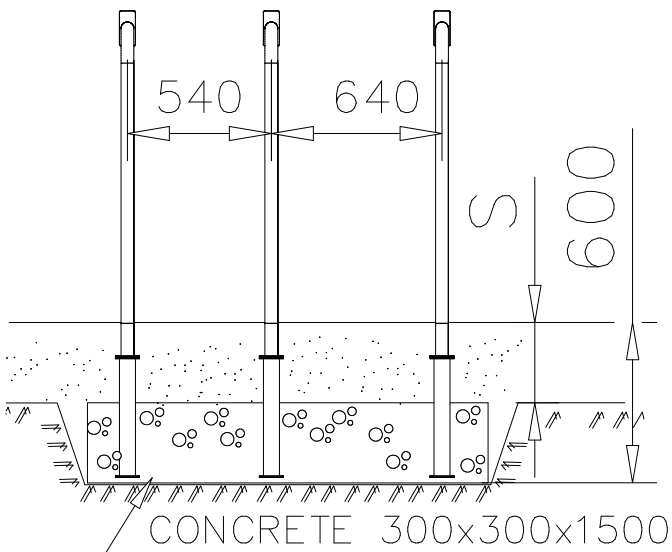
DET 3



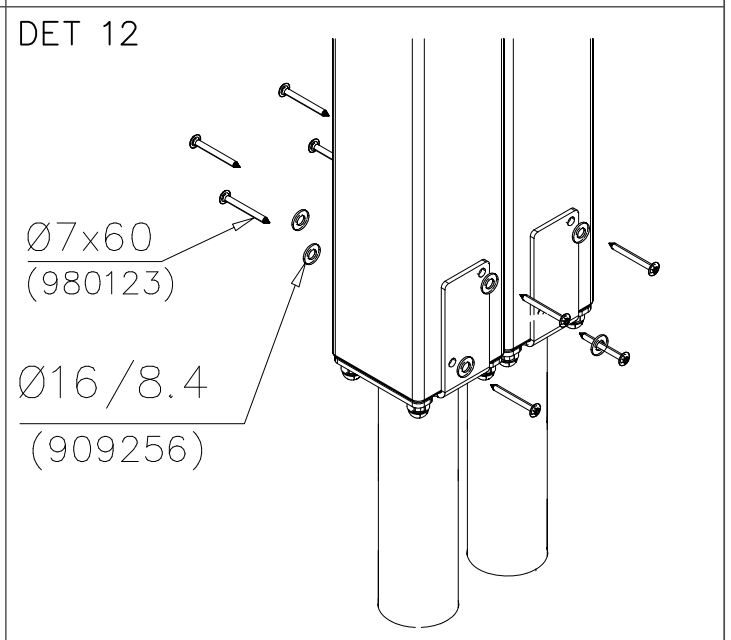
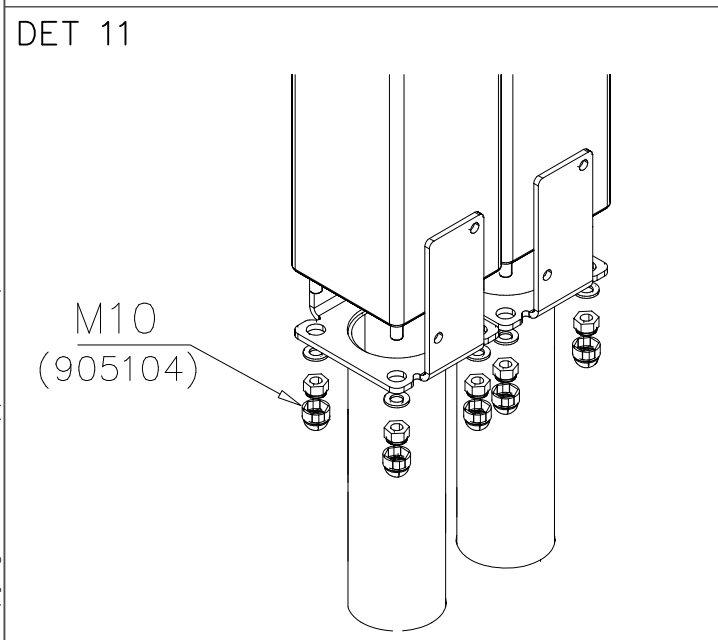
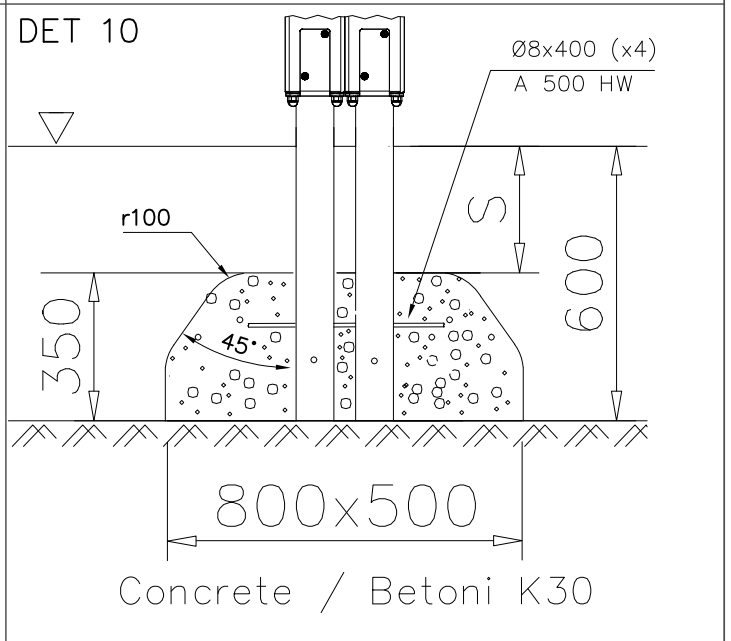
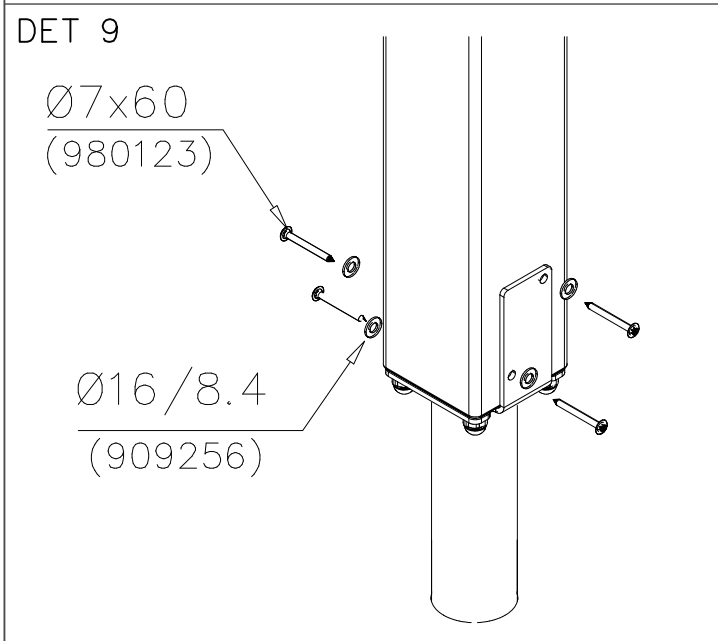
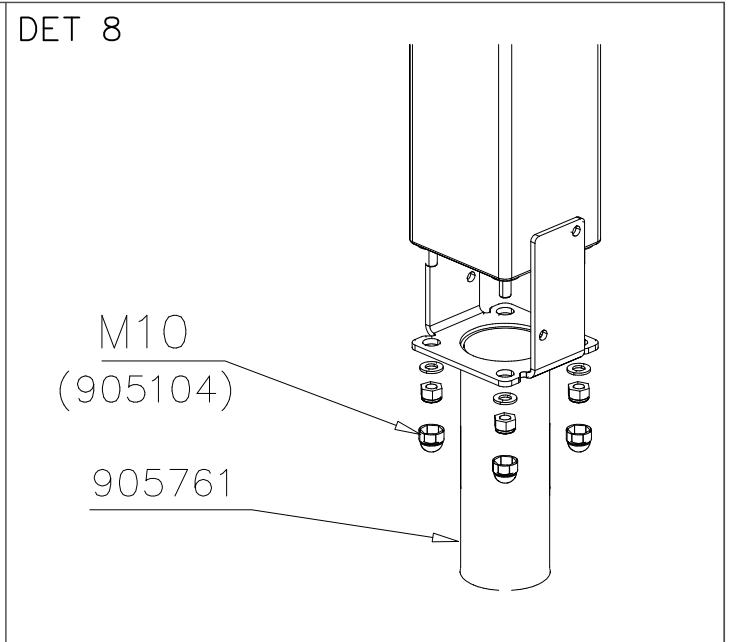
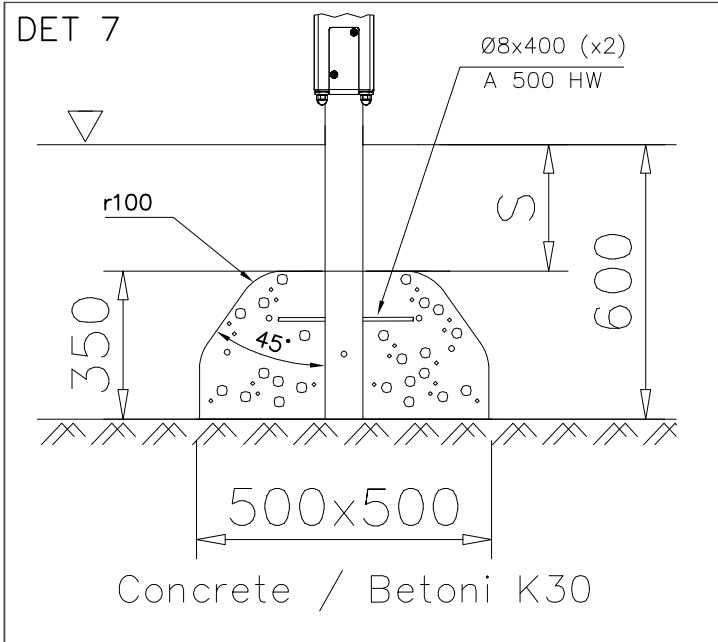
DET 4



DET 5

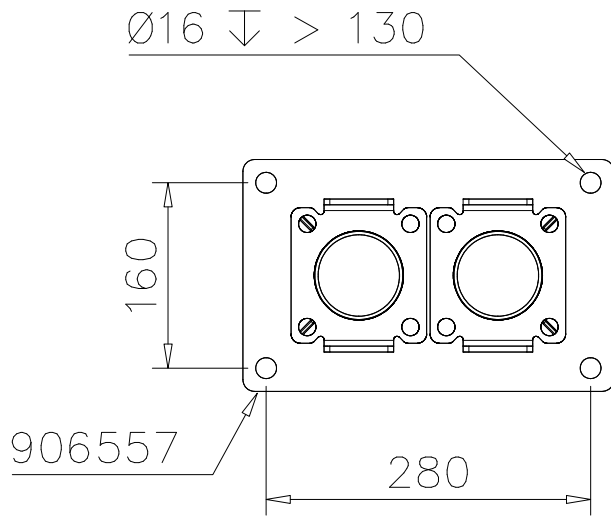


DET 6

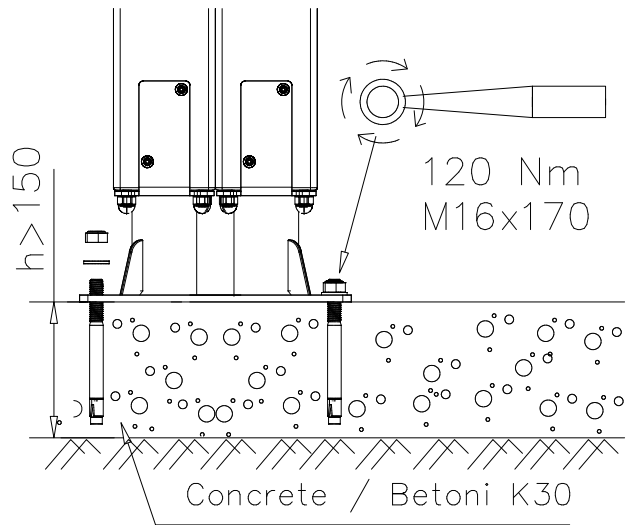




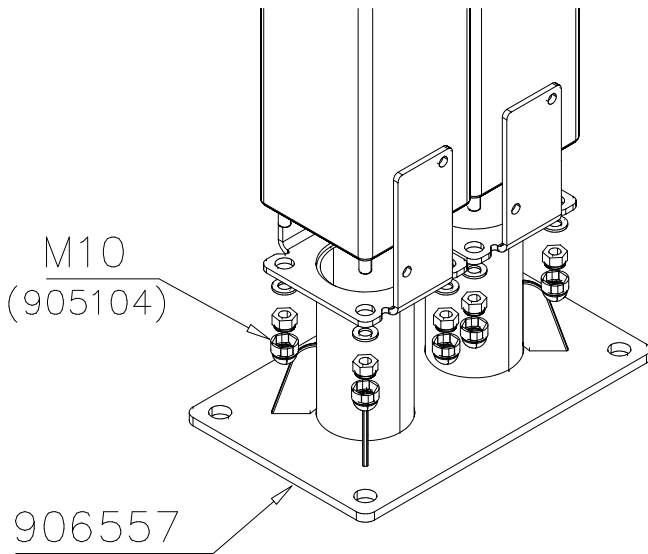
DET 13



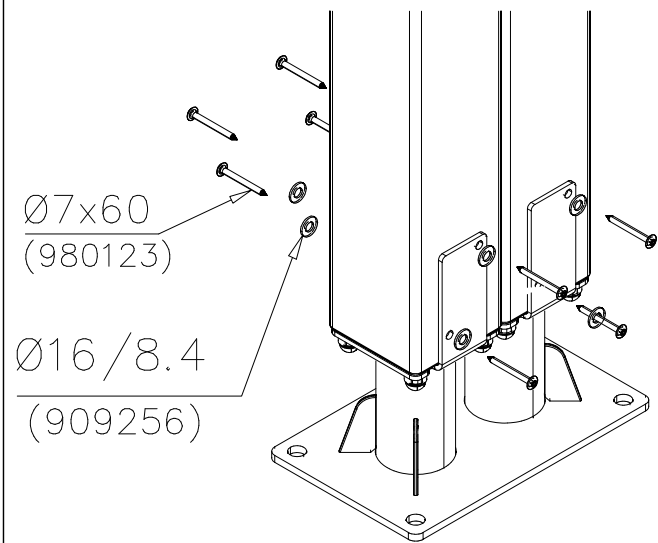
DET 14



DET 15



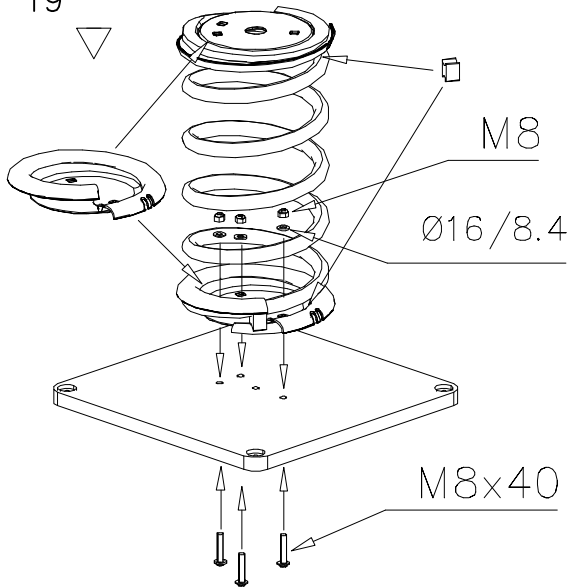
DET 16



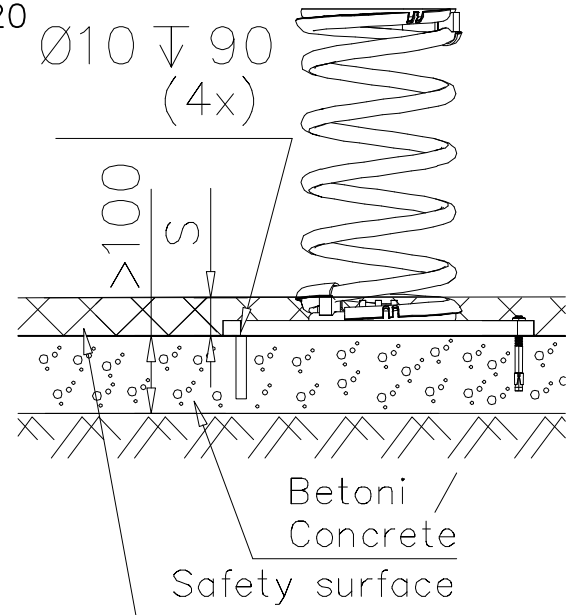
DET 17

DET 18

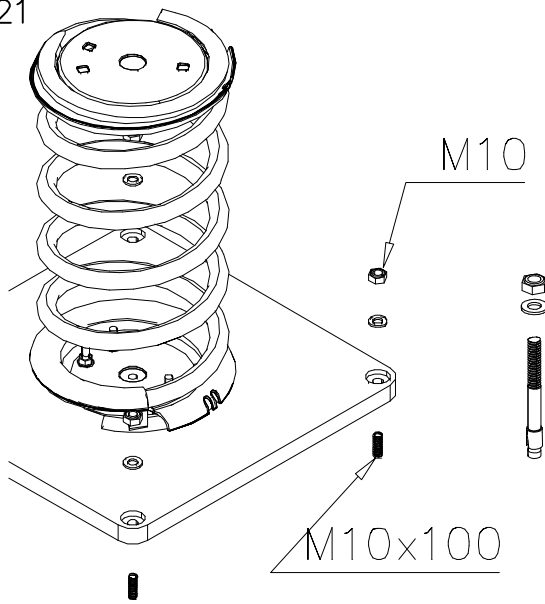
DET 19



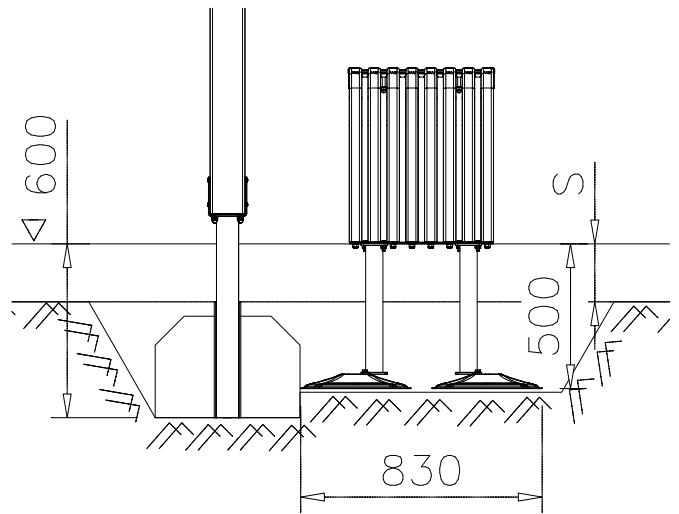
DET 20



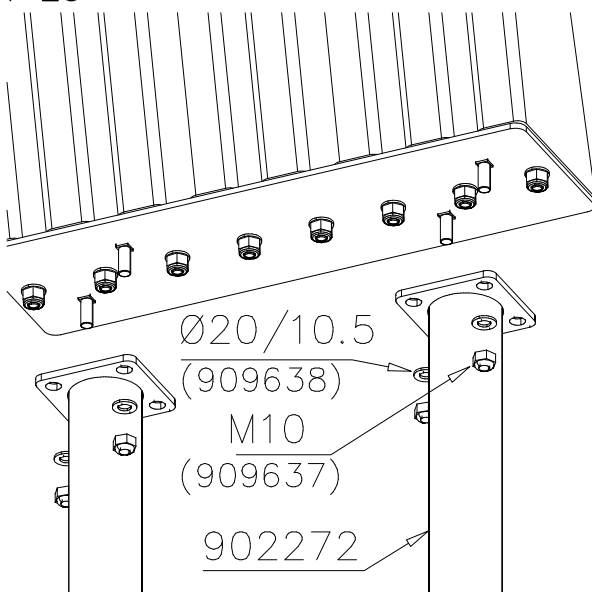
DET 21



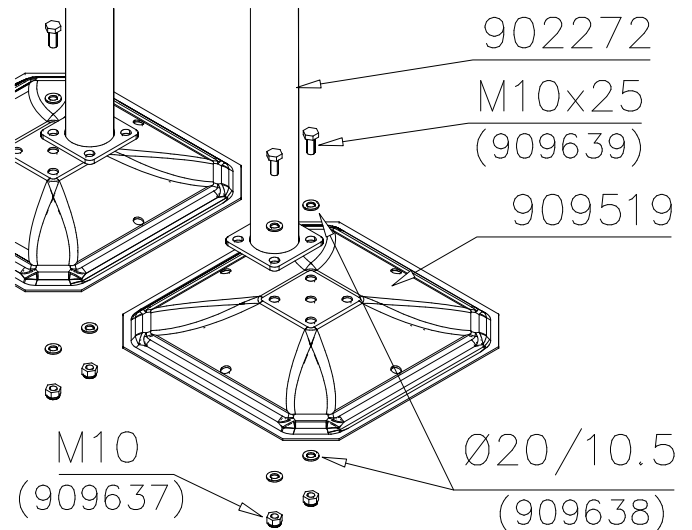
DET 22



DET 23



DET 24

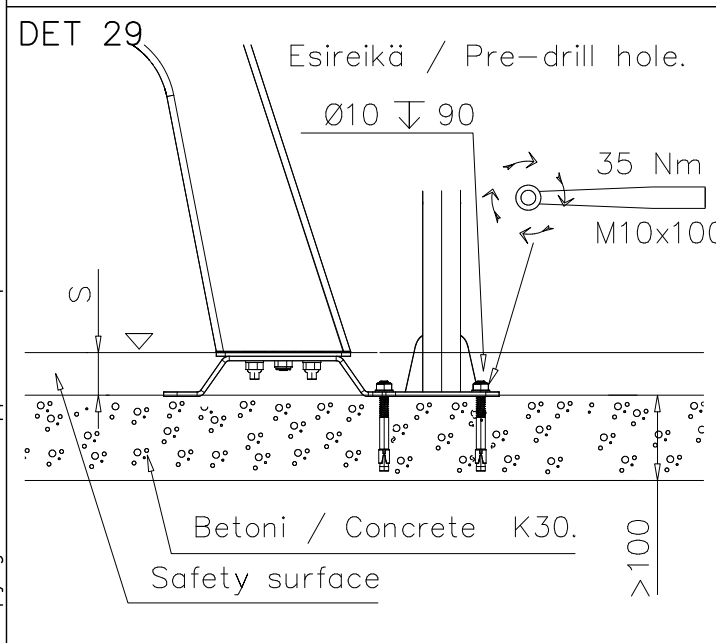
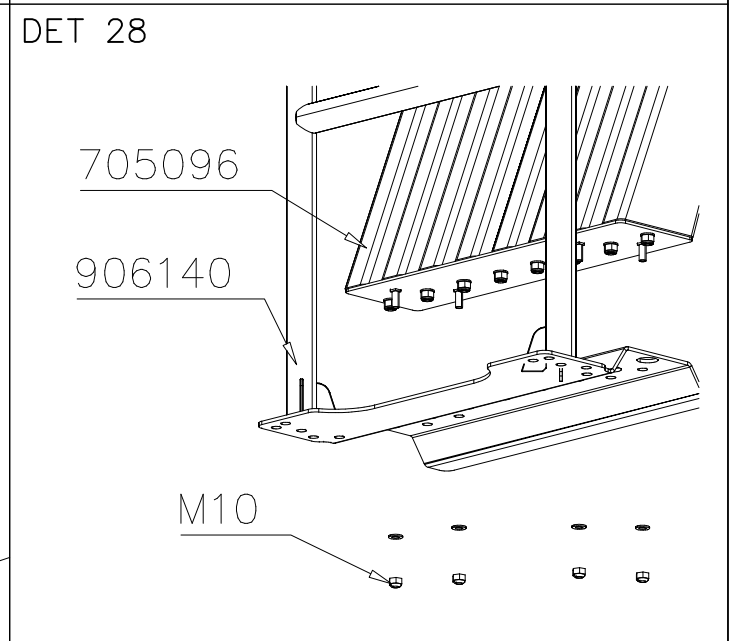
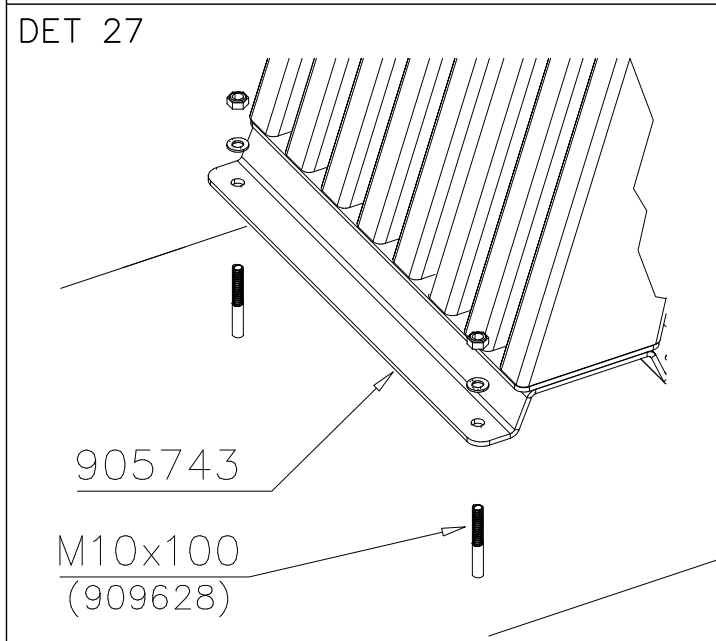
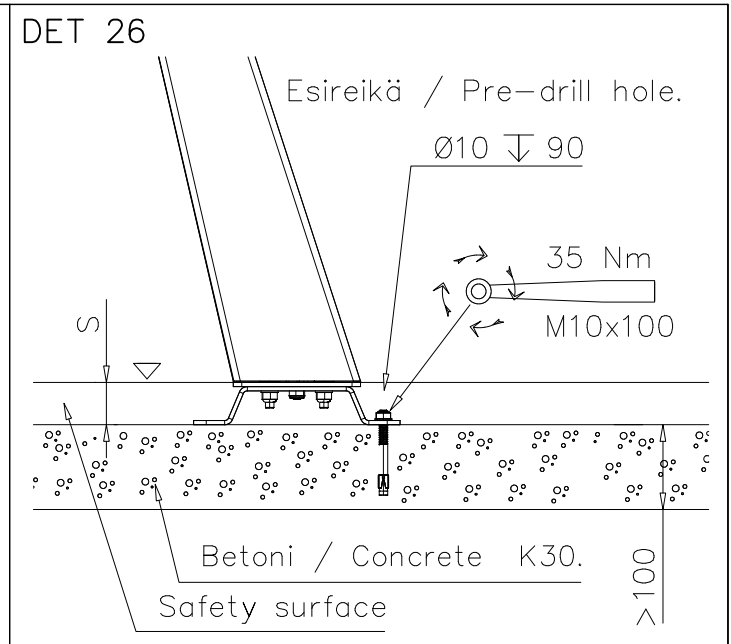
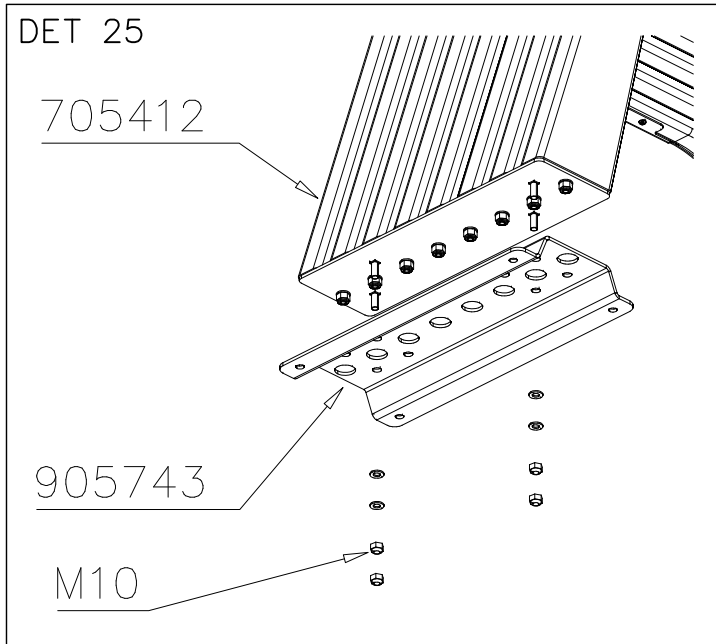


# LAPPSET SPORT

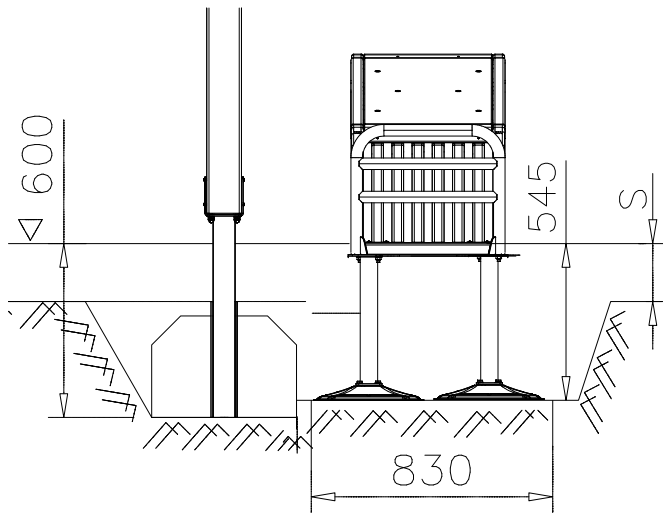
# BASE

DATE: 29.4.2015

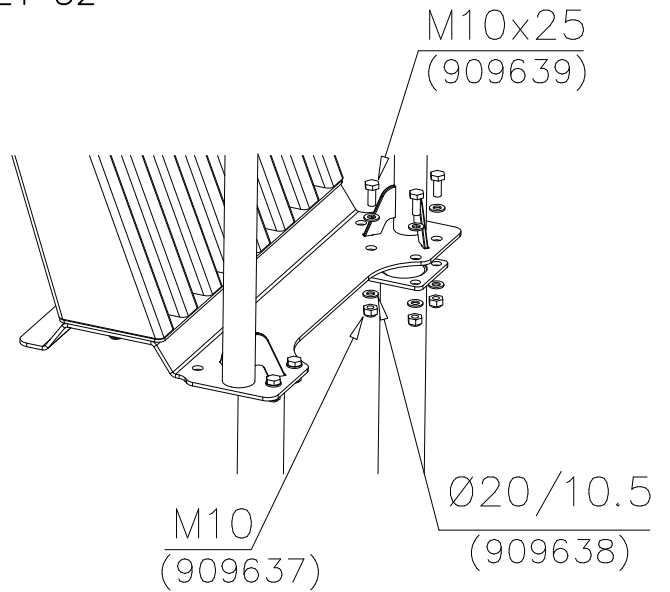
5(10)



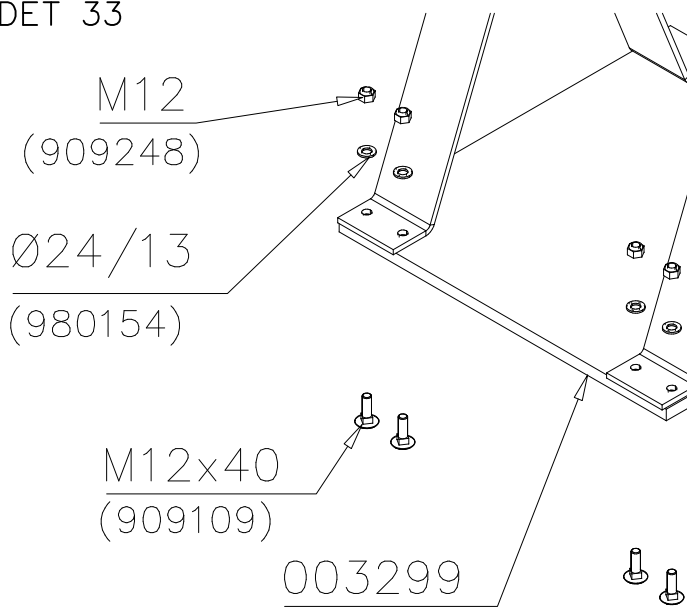
DET 31



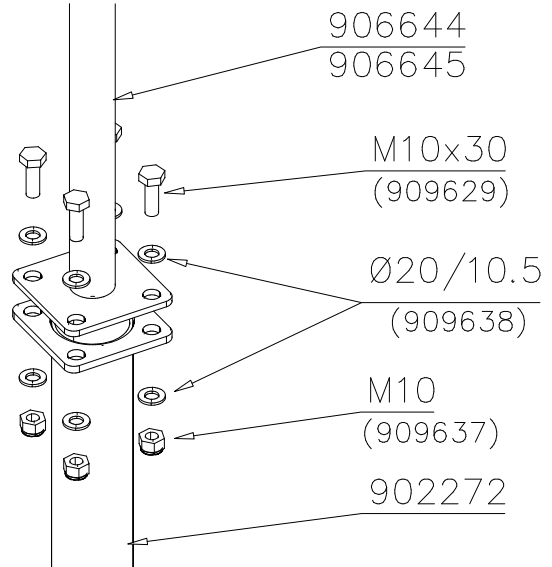
DET 32



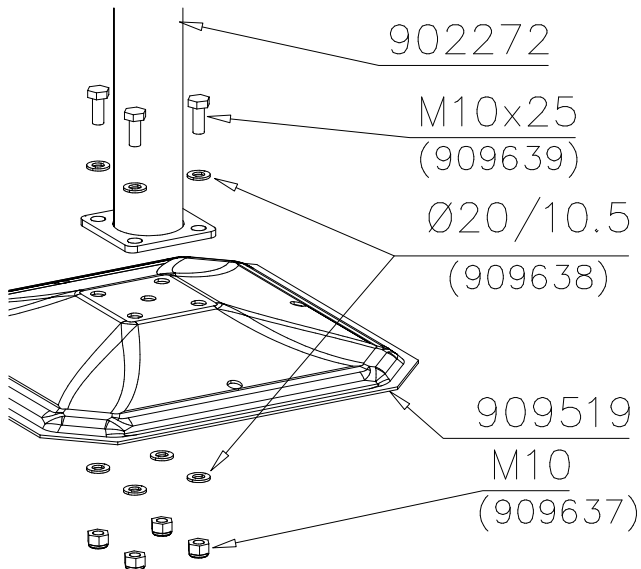
DET 33



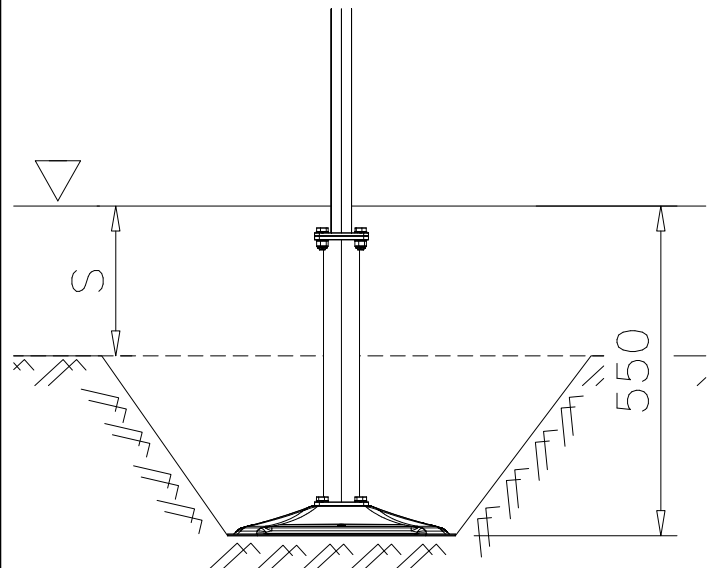
DET 34



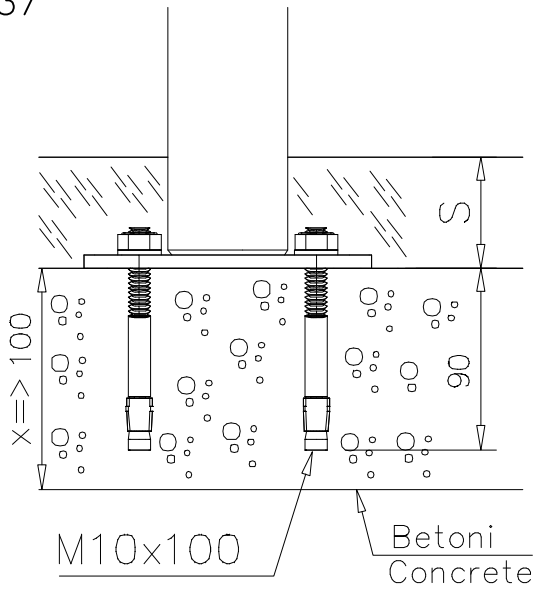
DET 35



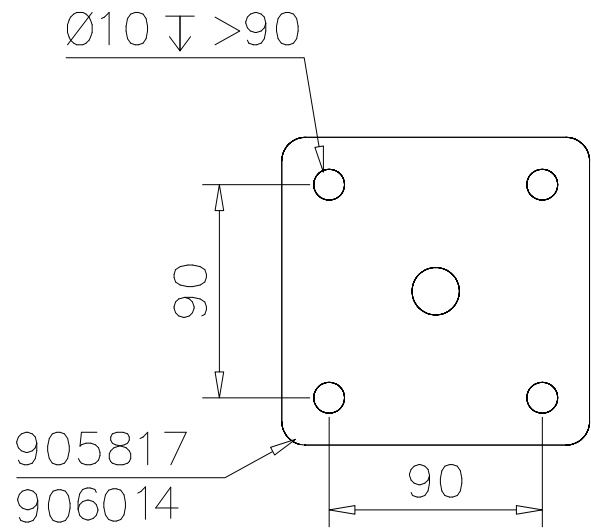
DET 36



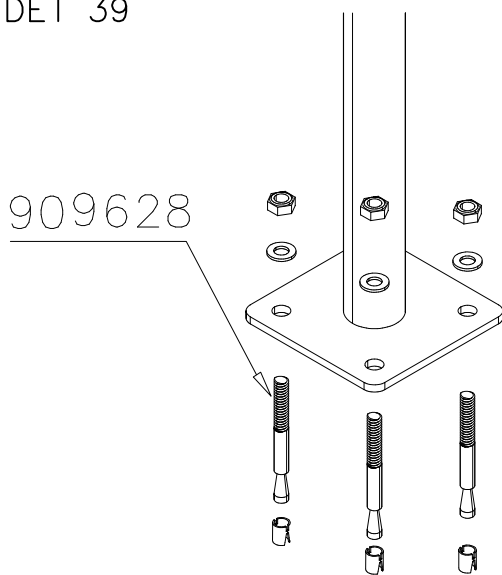
DET 37



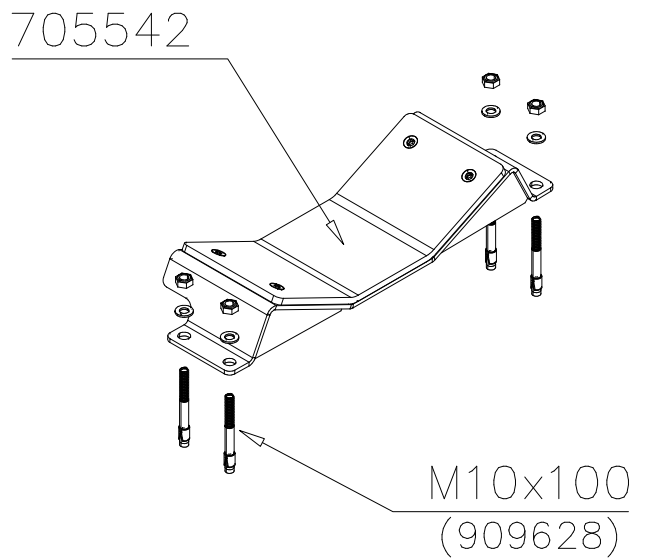
DET 38



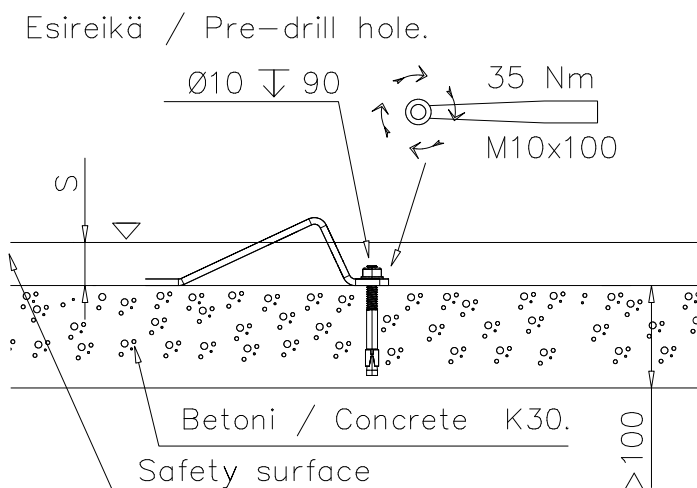
DET 39



DET 40



DET 41



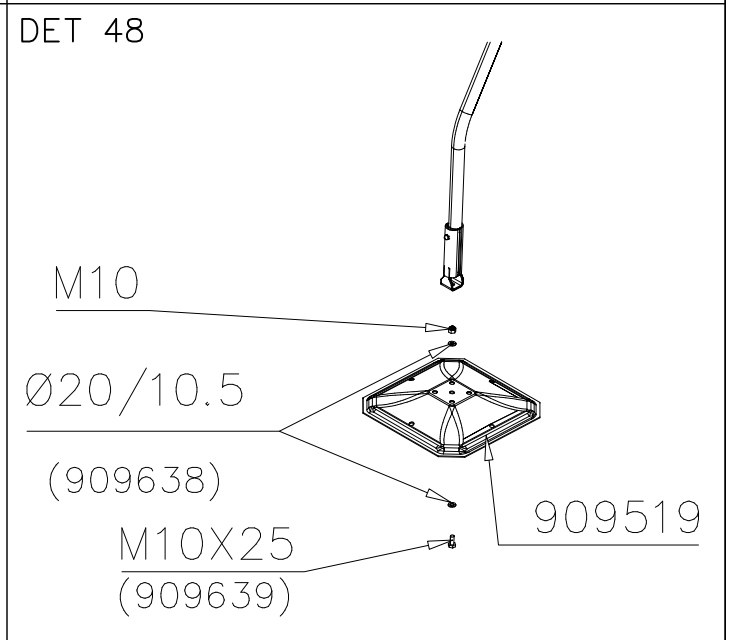
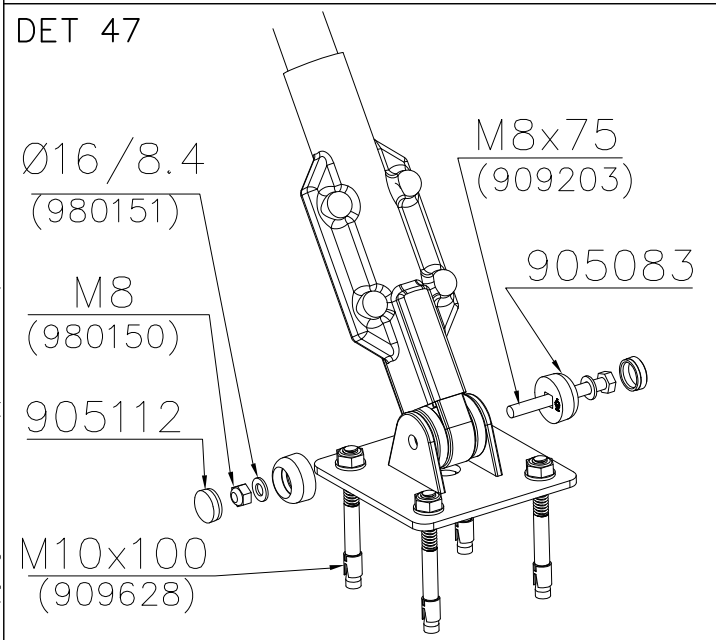
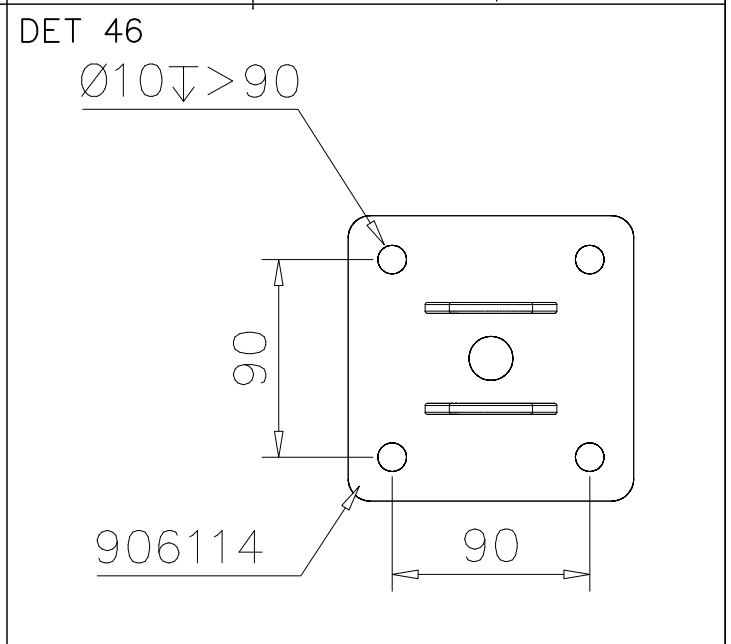
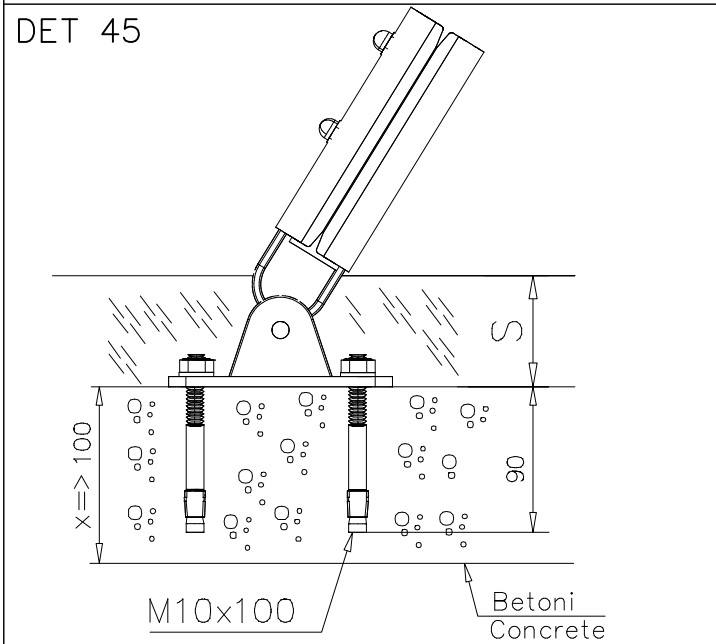
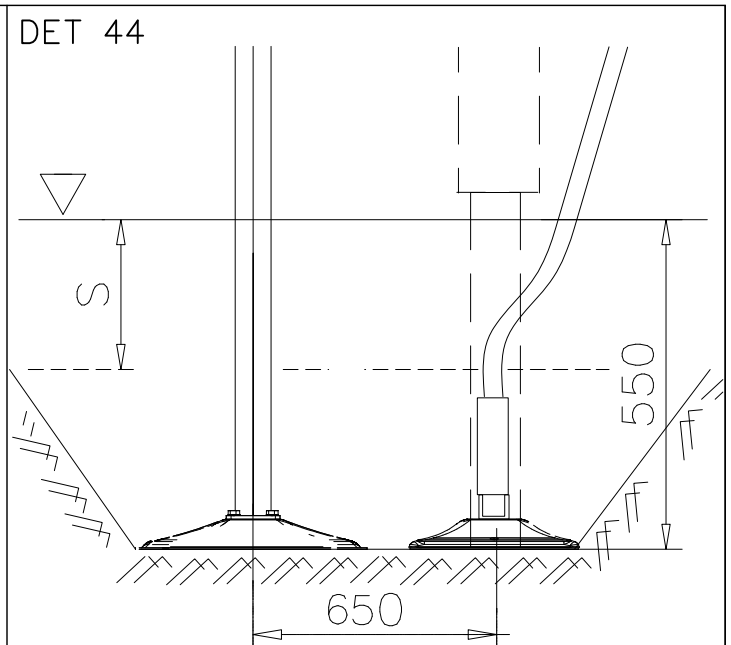
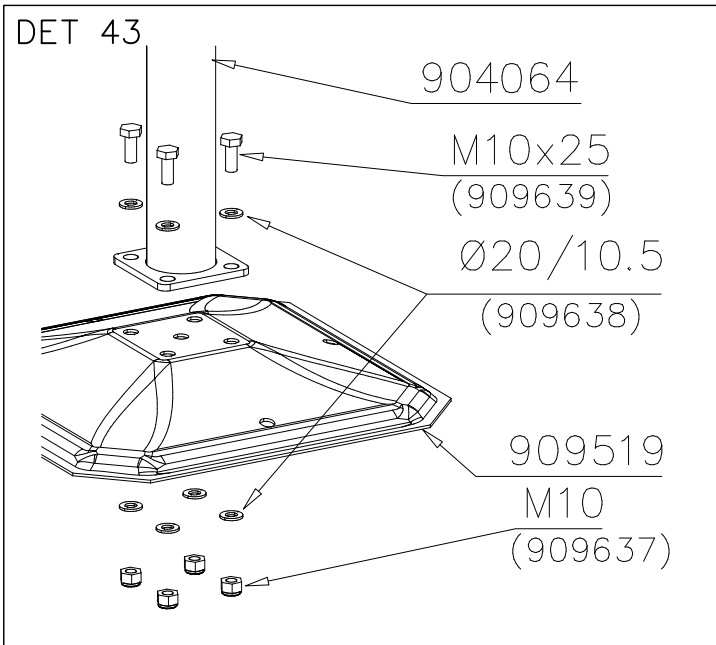
DET 42

# LAPPSET SPORT

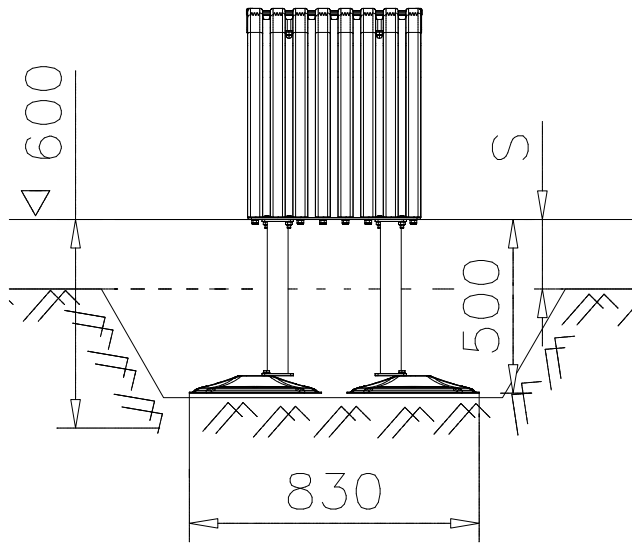
# BASE

DATE: 15.8.2017

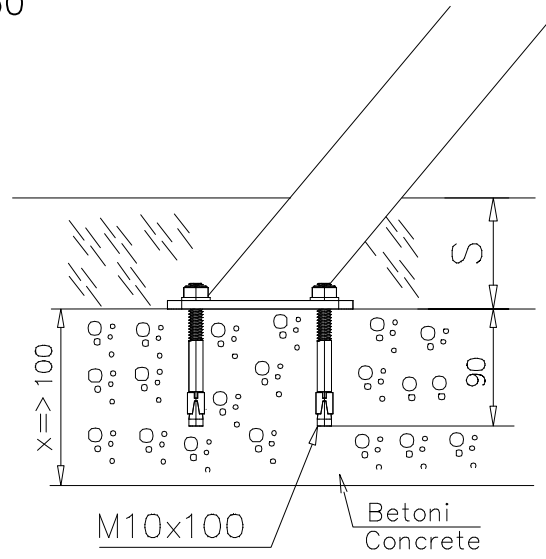
8(10)



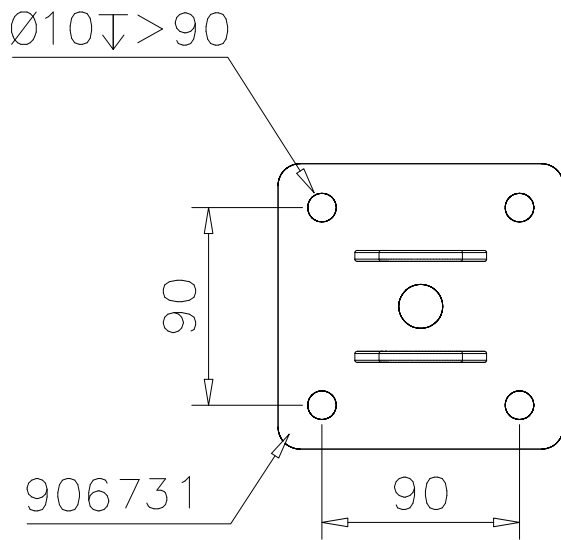
DET 49



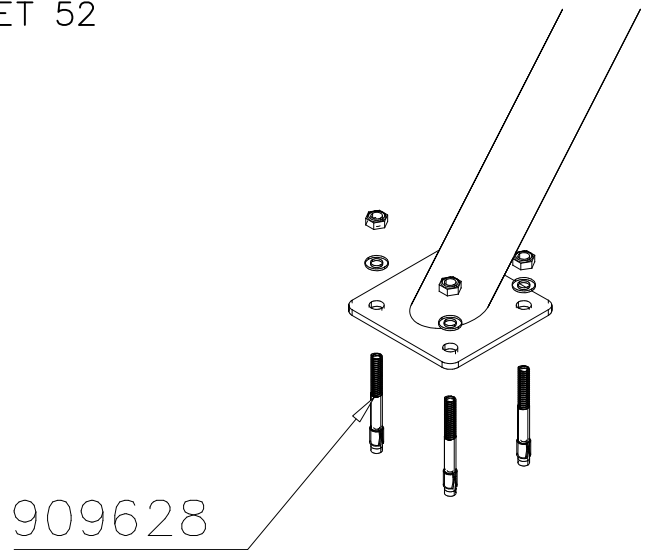
DET 50



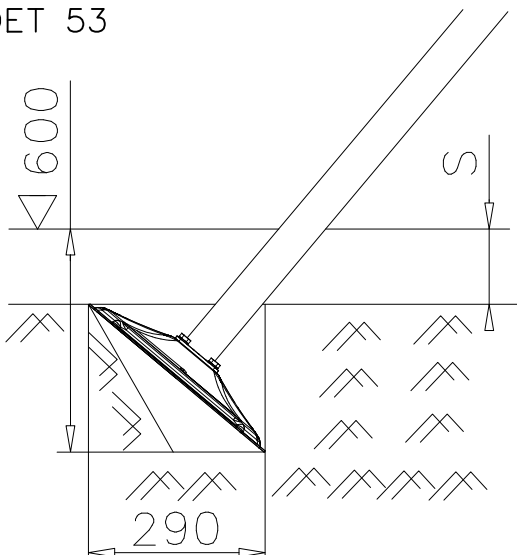
DET 51



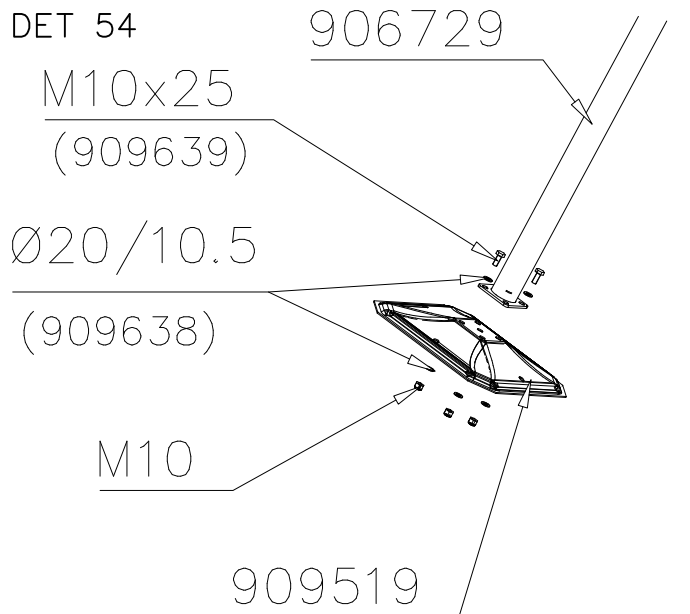
DET 52



DET 53

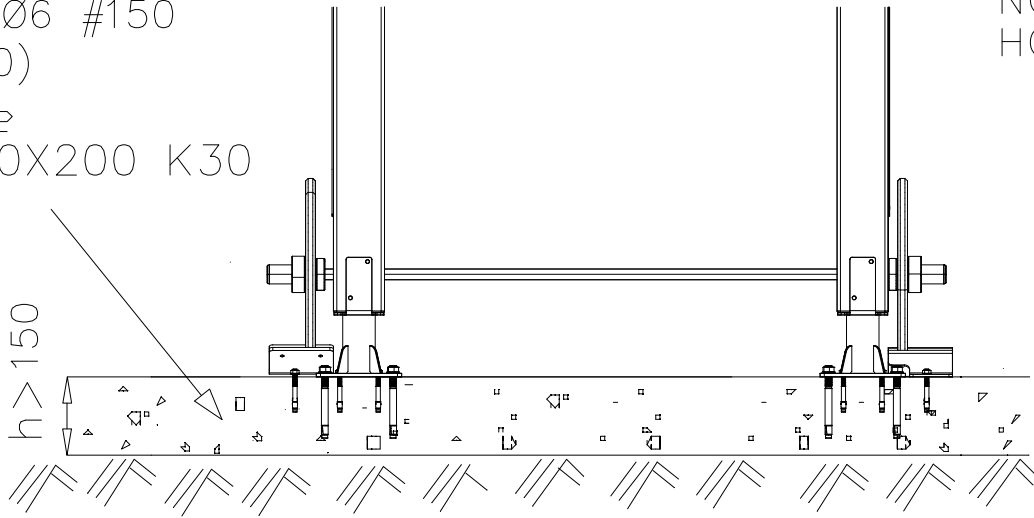


DET 54



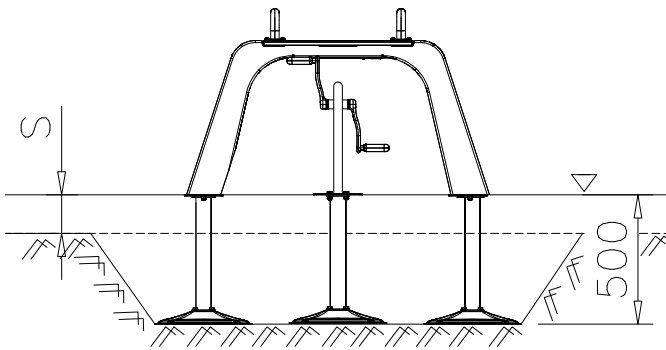
DET 55

STEELNET Ø6 #150  
(1400x2100)  
Concrete  
1500X2200X200 K30

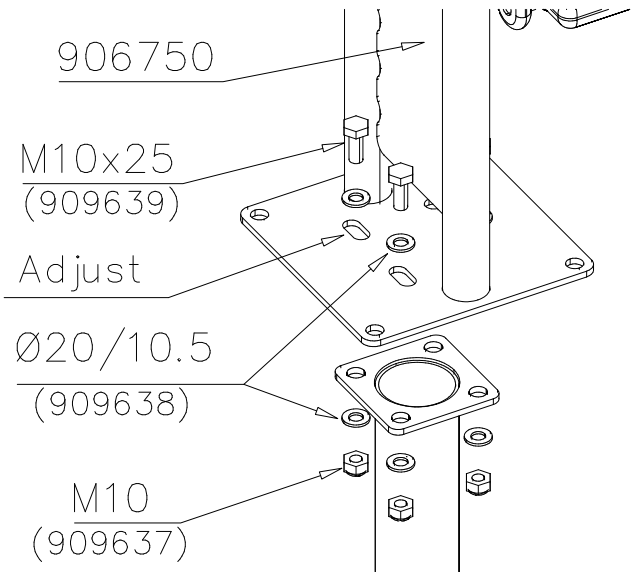


NOTE!  
HOX!

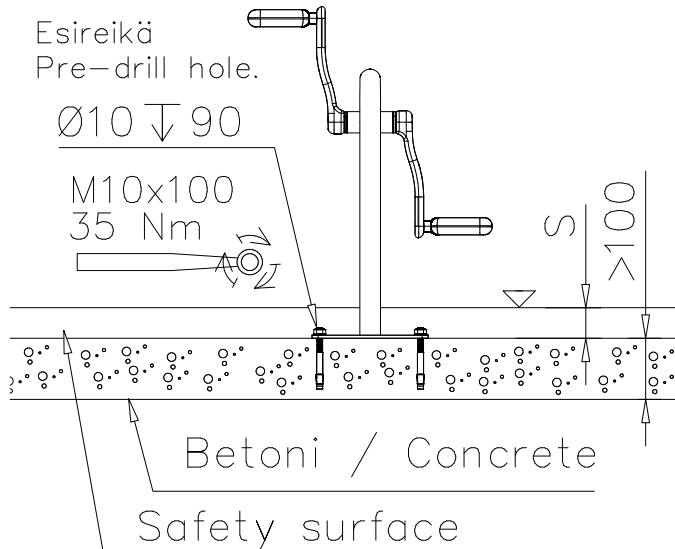
DET 56



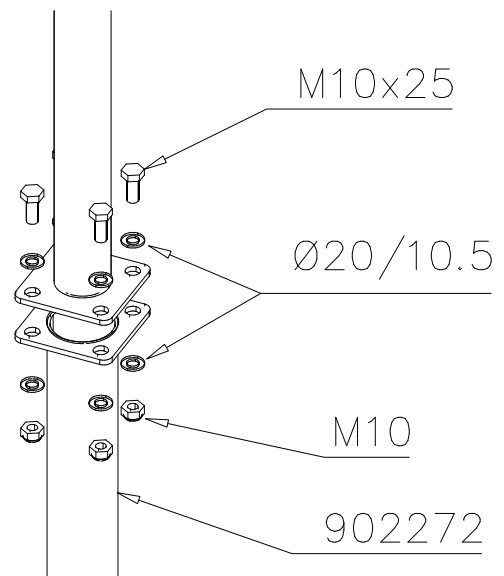
DET 57



DET 58

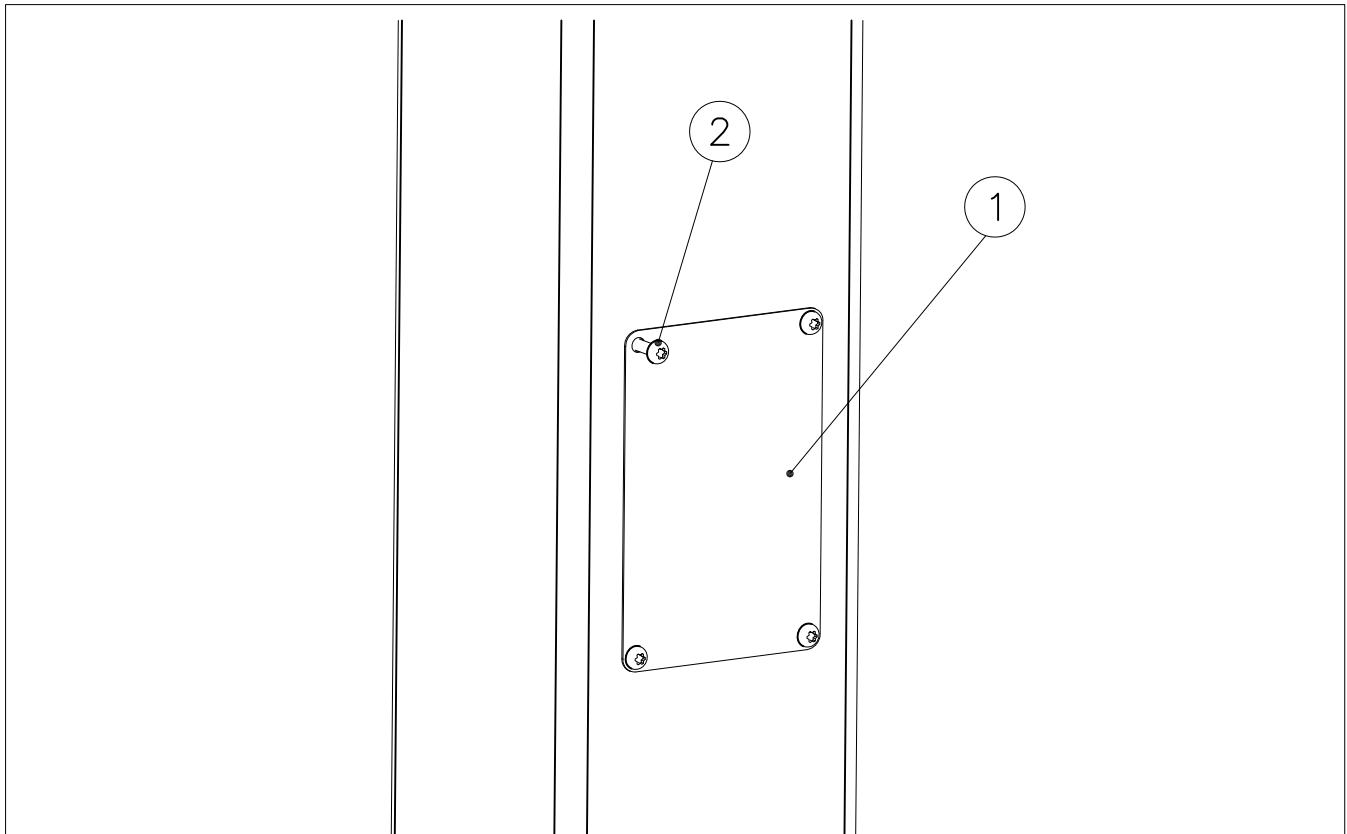


DET 59





① SHEET METAL	PCS	② 980114	PCS
	1		4
118x78x0.7		Ø4x20	



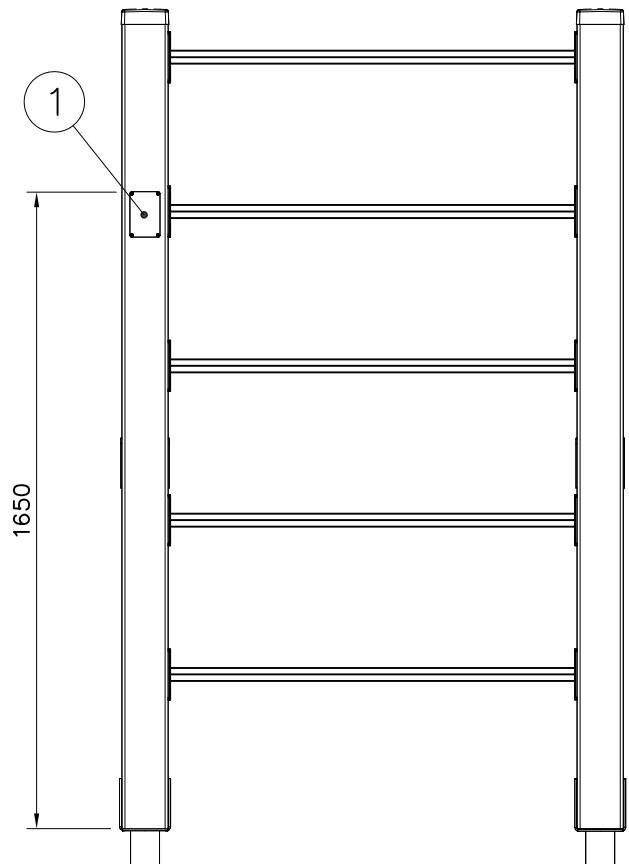
Example installation !  
Esimerkki asennus !

Example installation !  
Esimerkki asennus !

Example installation !  
Esimerkki asennus !



Example installation !  
Esimerkki asennus !



Example installation !  
Esimerkki asennus !