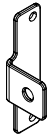
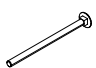




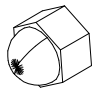



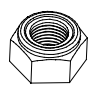
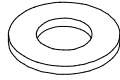
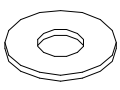

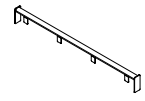


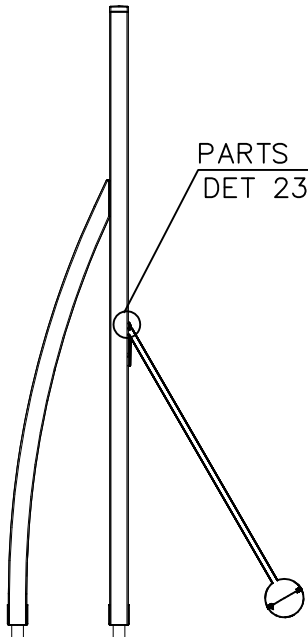
①	706029	PCS	②	705041	PCS
		1			1
				19x451x1240	
③	705048	PCS	④	705063	PCS
		2			3
	120x120			19x951x1240	
⑤	705350	PCS	⑥	902234	PCS
		2			2
	120x120x3990			M12	
⑦	980114	PCS	⑧	905051	PCS
		8			4
	Ø4x20			Ø24/8.4	
⑨	905083	PCS	⑩	905104	PCS
		2			16
	Ø32			M10	
⑪	704881	PCS	⑫	905112	PCS
		1			2
	118x78			Ø22	
⑬	905761	PCS	⑭	905830	PCS
		4			2
	120x120x700			123x123x40	
⑮	906021	PCS	⑯	907538	PCS
		2			1
	Ø42,4x1252			Ø42,4x1252	



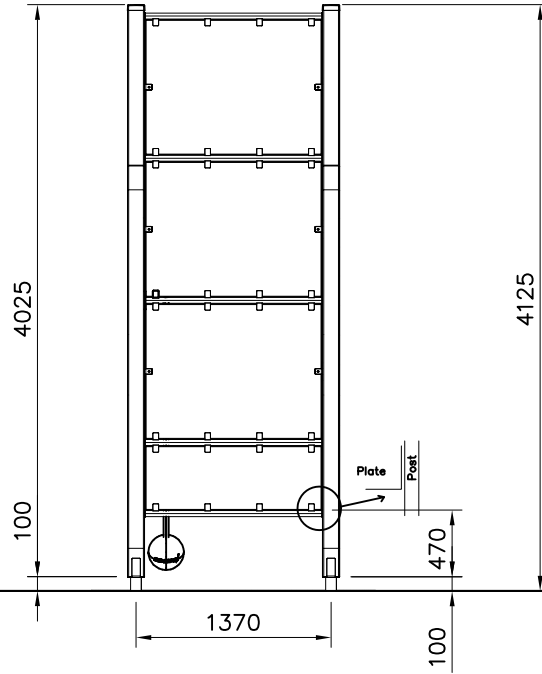
<p>⑰ 906117</p>  <p>130x44x52</p>	<p>PCS</p> <p>6</p>	<p>⑱ 909102</p>  <p>M12x200</p>	<p>PCS</p> <p>2</p>	<p>⑲ 909203</p>  <p>M8x75</p>	<p>PCS</p> <p>1</p>	<p>⑳ 909233</p>  <p>8x100</p>	<p>PCS</p> <p>4</p>	<p>㉑ 909253</p>  <p>Ø32/13.5/2</p>	<p>PCS</p> <p>2</p>	<p>㉒ 909256</p>  <p>Ø16/8.4</p>	<p>PCS</p> <p>68</p>
<p>㉓ 909633</p>  <p>M8</p>	<p>PCS</p> <p>38</p>	<p>㉔ 909852</p>  <p>M8x30</p>	<p>PCS</p> <p>38</p>	<p>㉕ 980104</p>  <p>Ø5x90</p>	<p>PCS</p> <p>2</p>	<p>㉖ 980123</p>  <p>Ø7x60</p>	<p>PCS</p> <p>68</p>	<p>㉗ 980150</p>  <p>M8</p>	<p>PCS</p> <p>1</p>	<p>㉘ 980151</p>  <p>Ø16/8.4</p>	<p>PCS</p> <p>2</p>
<p>㉙ 980152</p>  <p>Ø24/8.4x2</p>	<p>PCS</p> <p>38</p>	<p>⑳ 906751</p> 	<p>PCS</p> <p>1</p>	<p>㉑ 906009</p>  <p>Ø42,4x1252</p>	<p>PCS</p> <p>2</p>						



1: 49

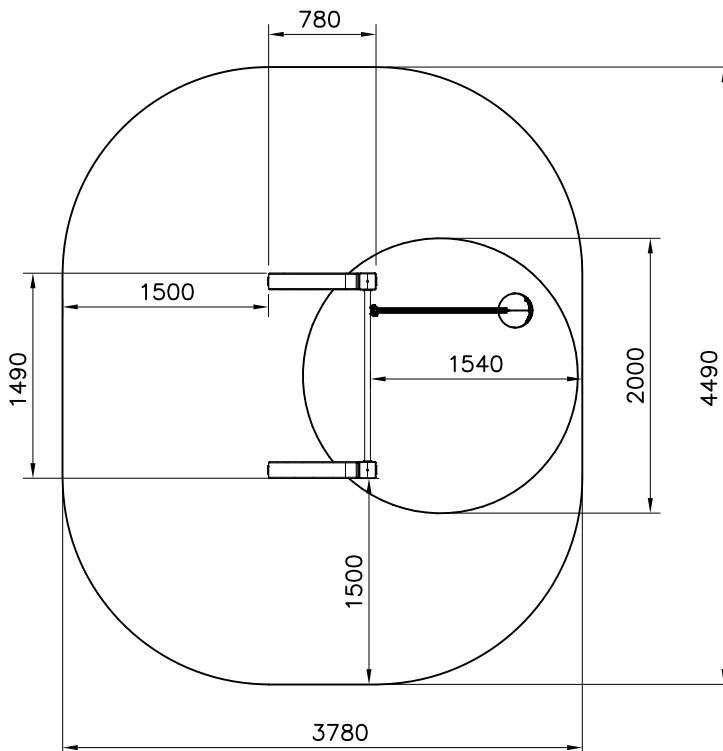


1: 53



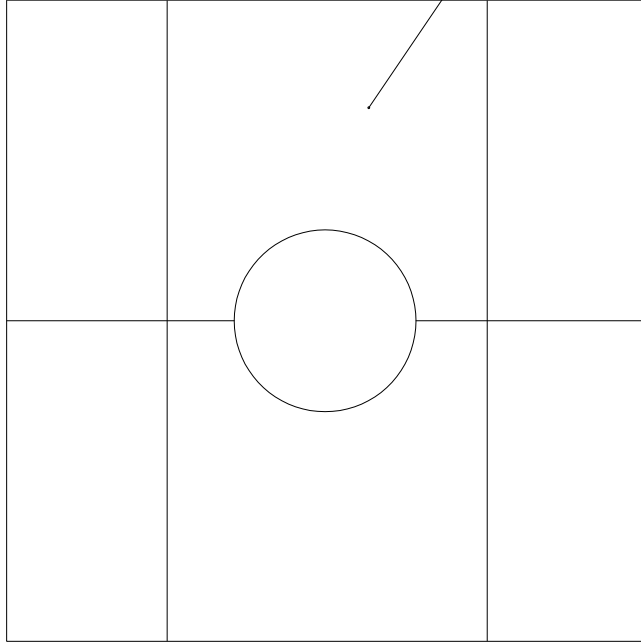
Area of Movement 15 m2
Training Space 3.1 m2
Max Falling Height 0 mm

1: 55



												
<p>$h < 600$</p> <p>Without movement and therefore without Impact Area</p>	<p>Totally hard surfaces.</p> <p>Note. Lappset does <u>not recommend</u> totally hard surfaces at all.</p>	<p>E.g. concrete or asphalt</p> 										
<p>$h < 600$</p> <p>With movement e.g. rocking</p>	<p>Materials with very limited impact attenuating properties.</p>	<p>E.g. wood</p> 										
<p>$h < 1000$</p>	<p>Materials with significant impact attenuating properties.</p>	<p>fine gravel 0–8 mm</p>  <p>grass</p>  <p>unsorted sand</p> 										
<p>$h < 3000$</p>	<p>Loose fill material</p> <p>E.g. sand/gravel 0,25...8 mm D60/D10<3,0 Woodchips 5...30 mm bark 20...80 mm</p>	 <table data-bbox="1021 1691 1332 1792"> <tr> <td>\underline{S}</td> <td>\underline{h}</td> </tr> <tr> <td>30 cm</td> <td>< 2,0 m</td> </tr> <tr> <td>40 cm</td> <td>< 3,0 m</td> </tr> </table>	\underline{S}	\underline{h}	30 cm	< 2,0 m	40 cm	< 3,0 m				
\underline{S}	\underline{h}											
30 cm	< 2,0 m											
40 cm	< 3,0 m											
	<p>Syntethic granulates</p> <table data-bbox="406 1892 758 2060"> <tr> <td>\underline{S}</td> <td>\underline{h}</td> </tr> <tr> <td>40 mm</td> <td>~> 1,2...1,3 m</td> </tr> <tr> <td>50 mm</td> <td>~> 1,5...1,7 m</td> </tr> <tr> <td>60 mm</td> <td>~> 1,8...2,0 m</td> </tr> <tr> <td>70 mm</td> <td>~> 2,1...2,5 m</td> </tr> </table> <p>Note. For accurate values, see manufacturer's instructions.</p>	\underline{S}	\underline{h}	40 mm	~> 1,2...1,3 m	50 mm	~> 1,5...1,7 m	60 mm	~> 1,8...2,0 m	70 mm	~> 2,1...2,5 m	
\underline{S}	\underline{h}											
40 mm	~> 1,2...1,3 m											
50 mm	~> 1,5...1,7 m											
60 mm	~> 1,8...2,0 m											
70 mm	~> 2,1...2,5 m											

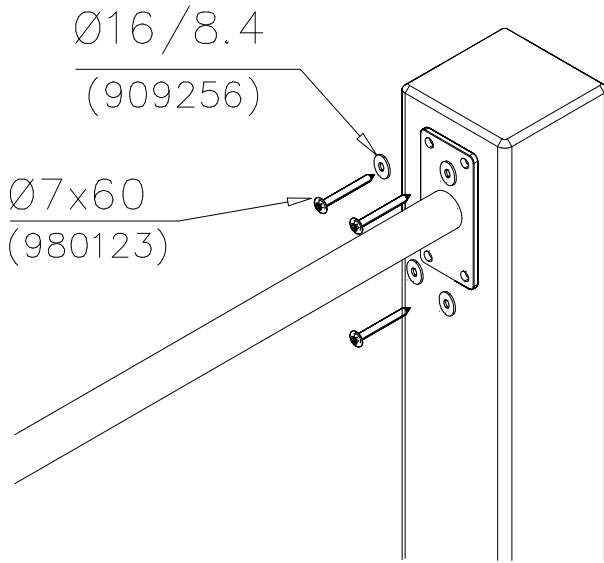
REMOVE SAFETY SURFACE/SAND/GRAVEL
TO CHECK FOUNDATION



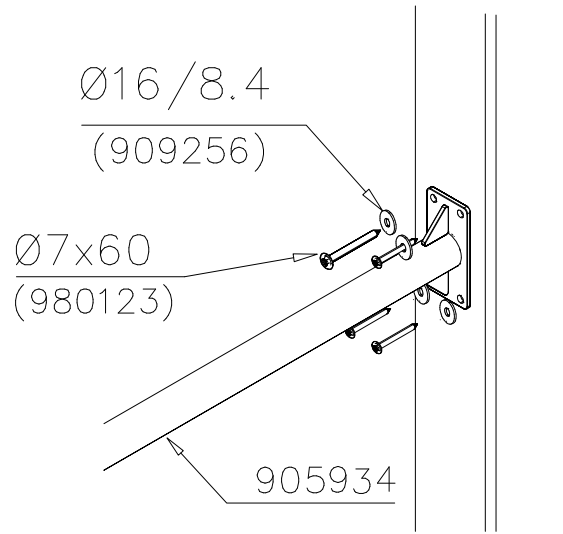
REMOVE SAFETY SURFACE/SAND/GRAVEL
TO CHECK FOUNDATION



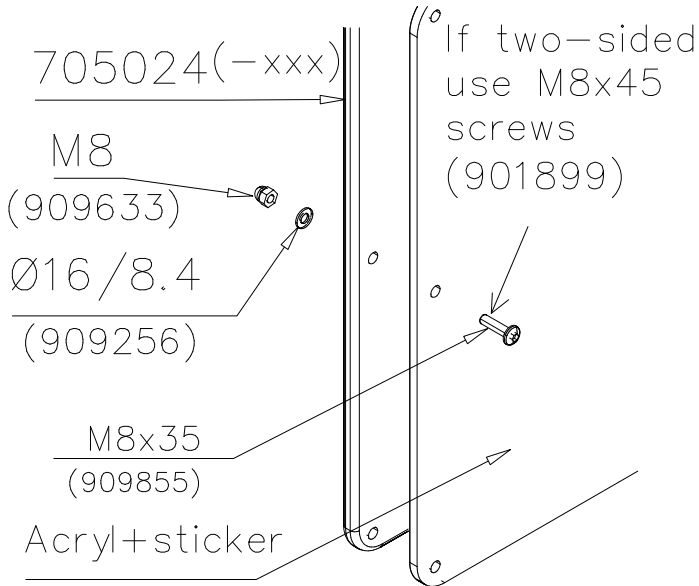
DET 1



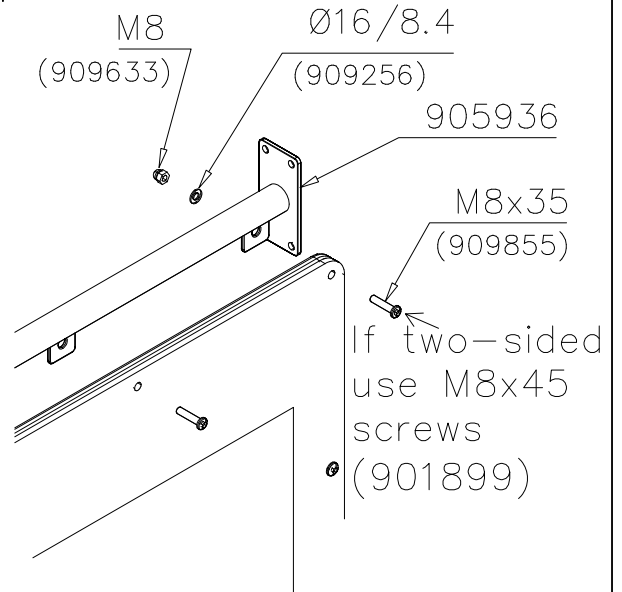
DET 2



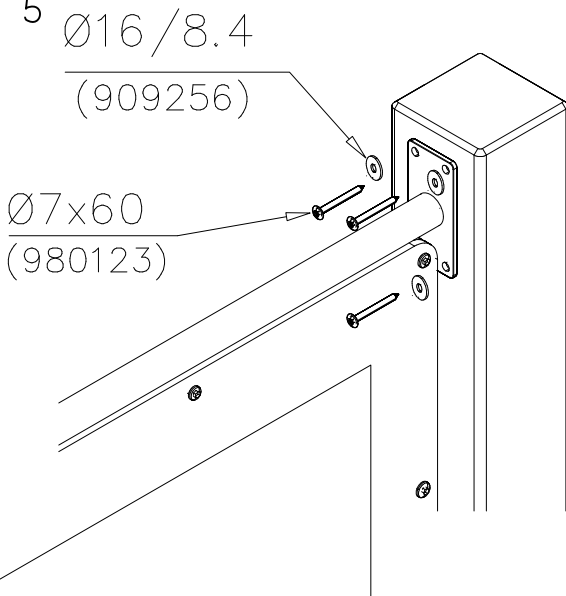
DET 3



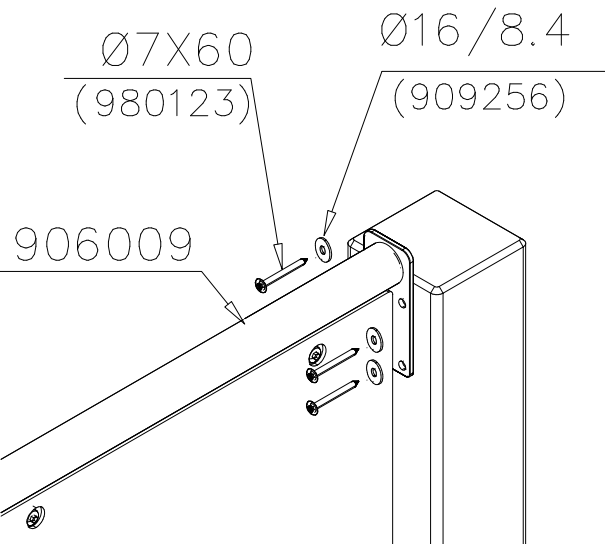
DET 4

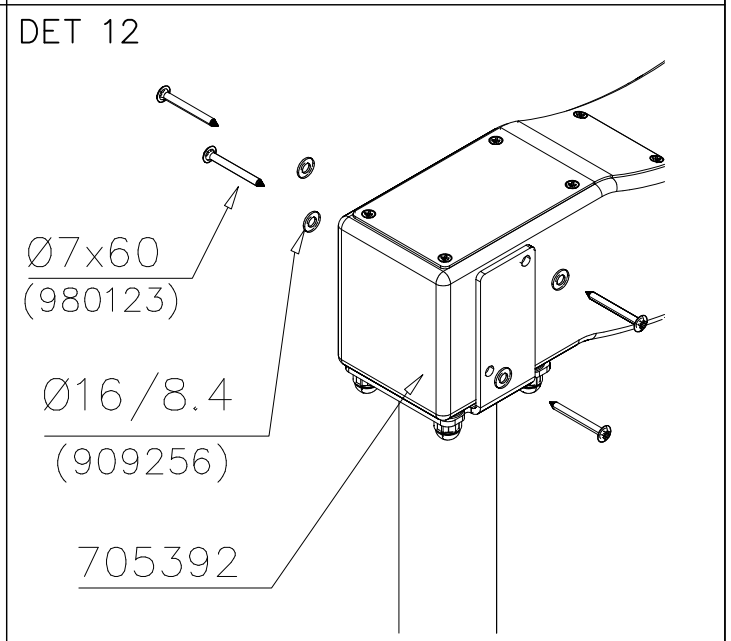
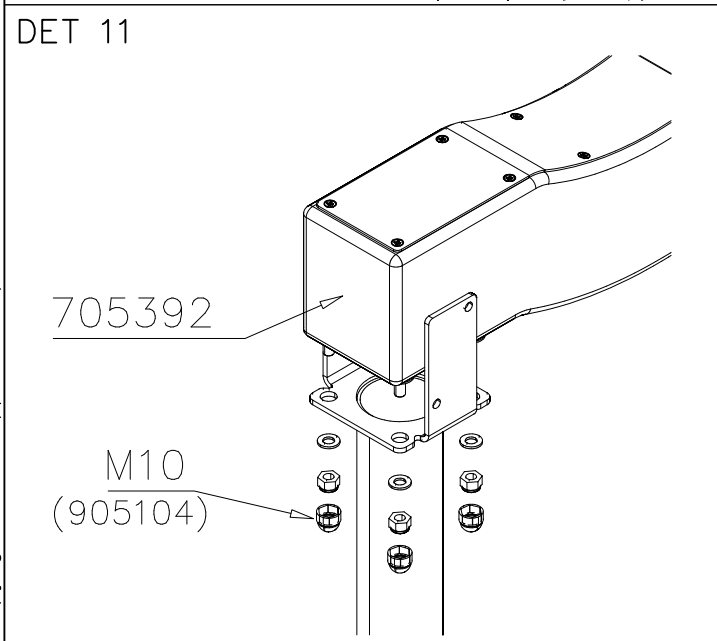
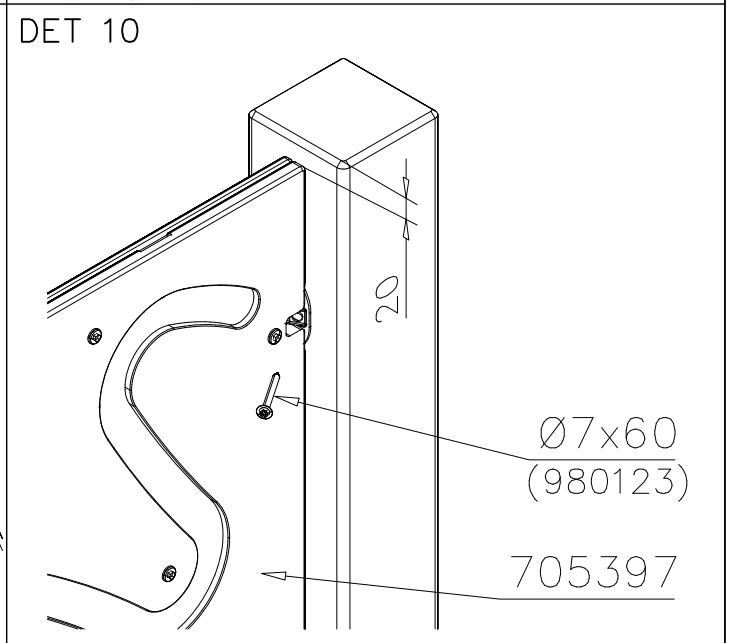
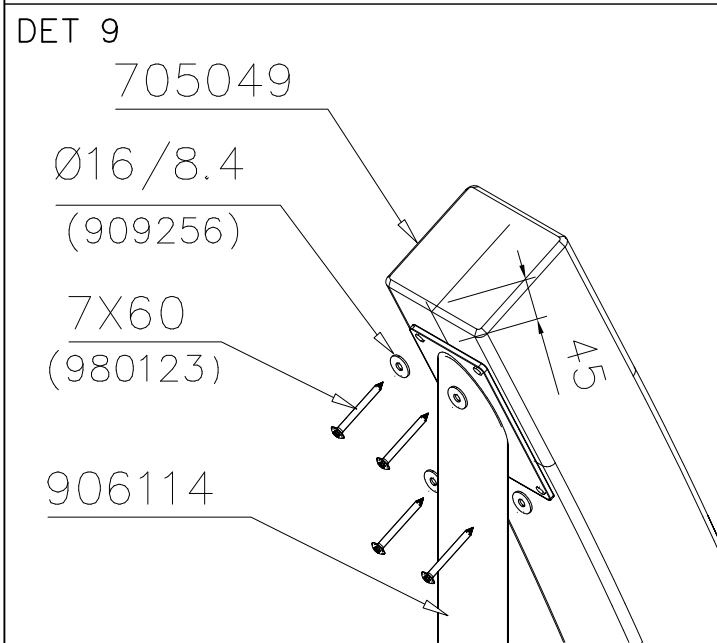
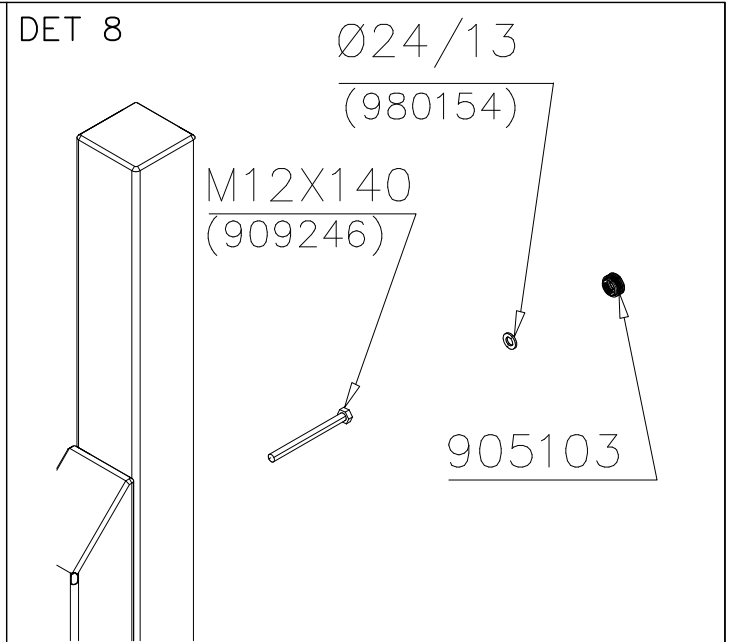
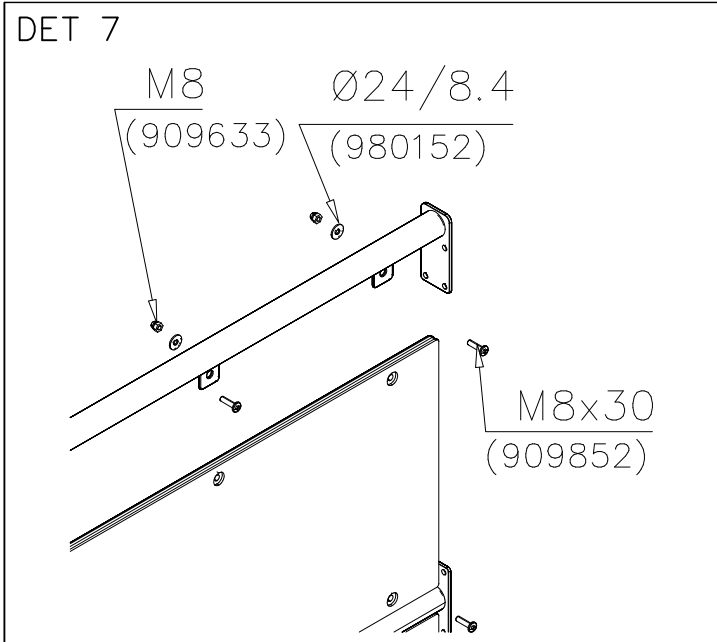


DET 5

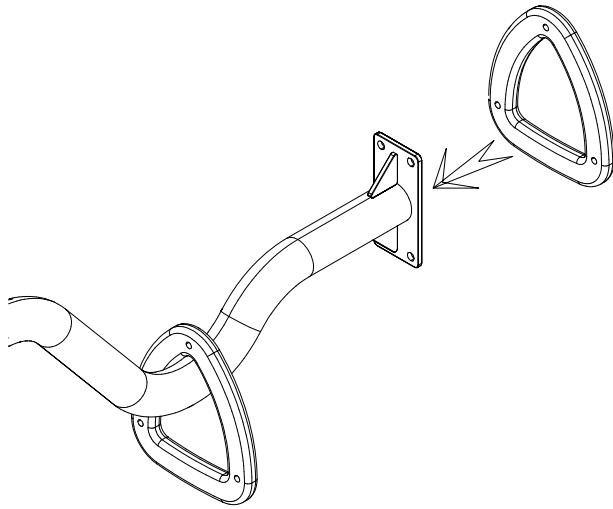


DET 6

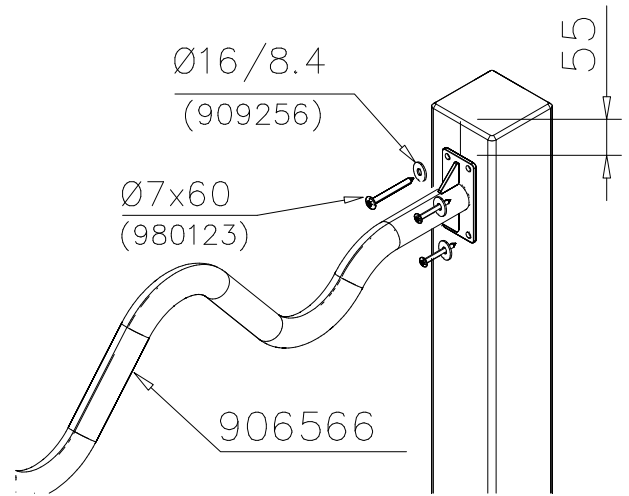




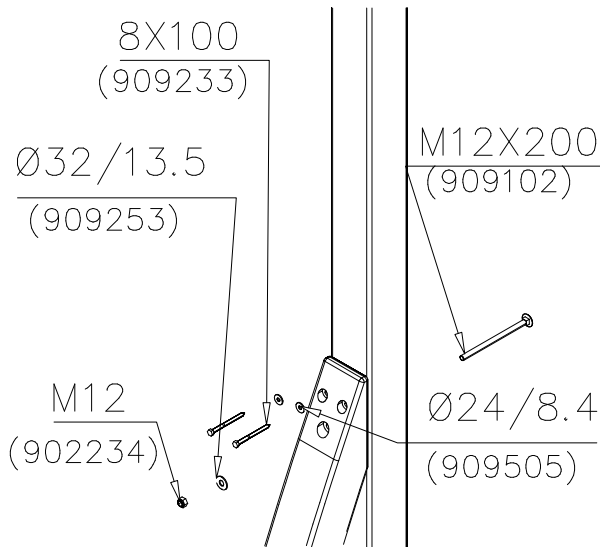
DET 13



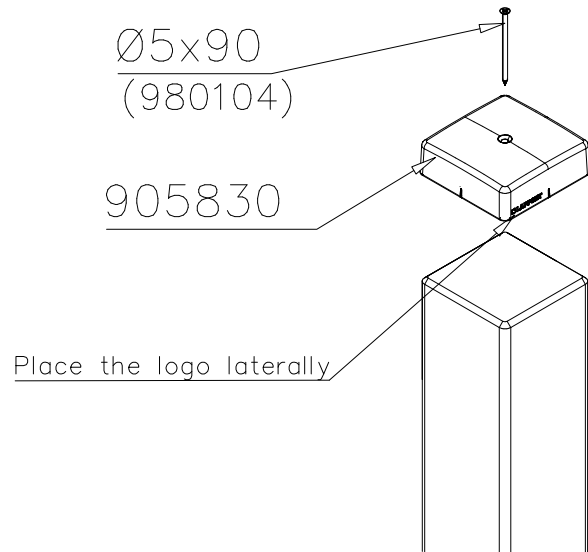
DET 14



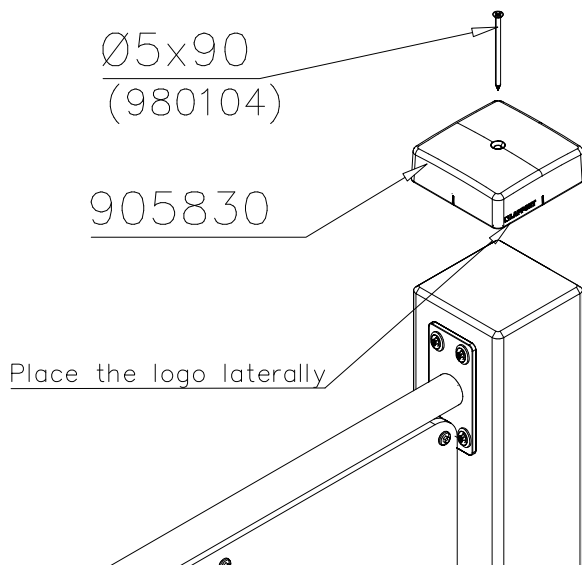
DET 15



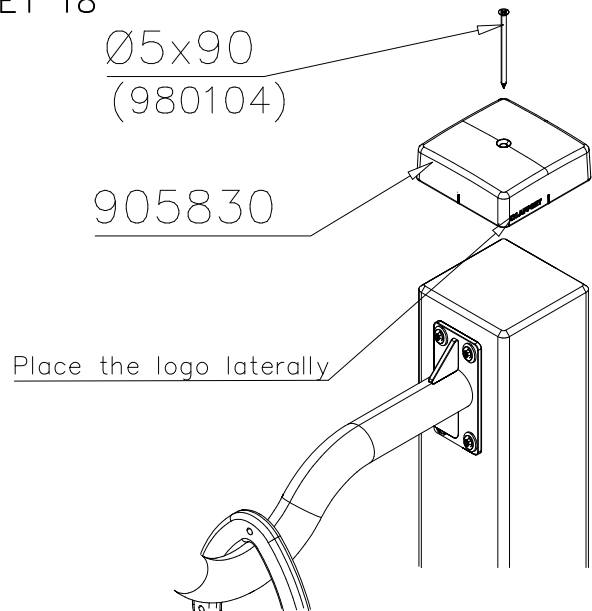
DET 16



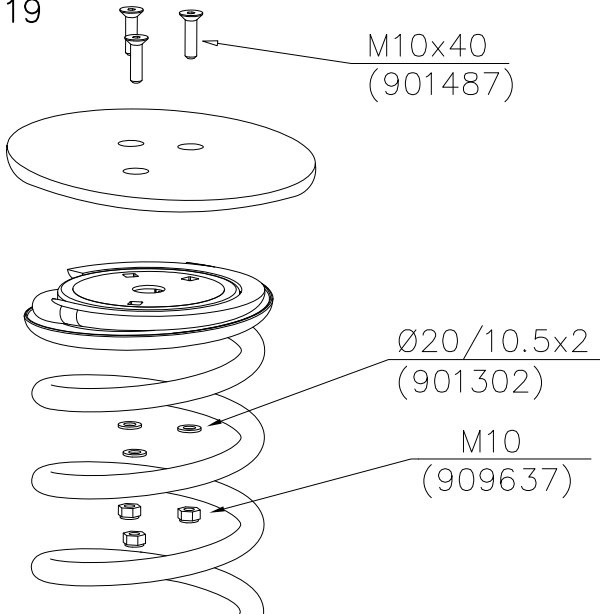
DET 17



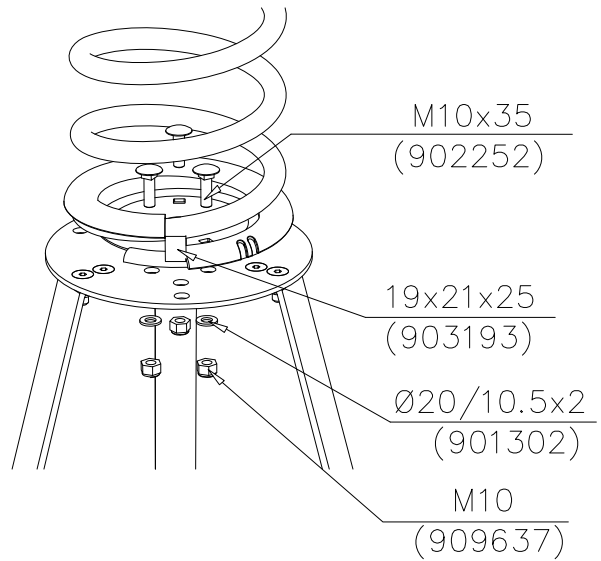
DET 18



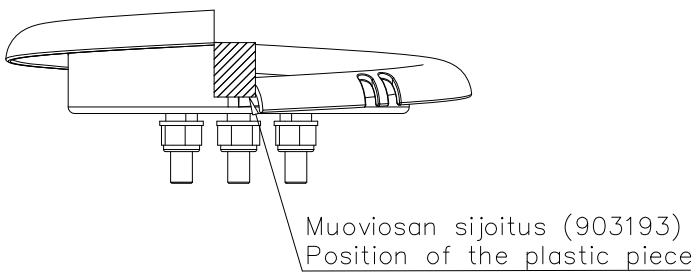
DET 19



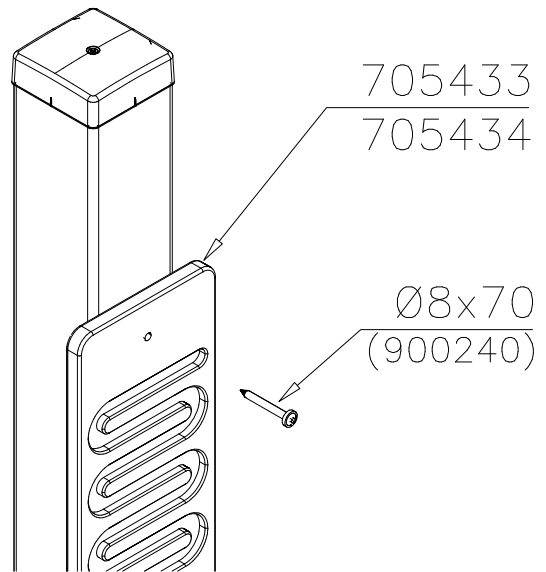
DET 20



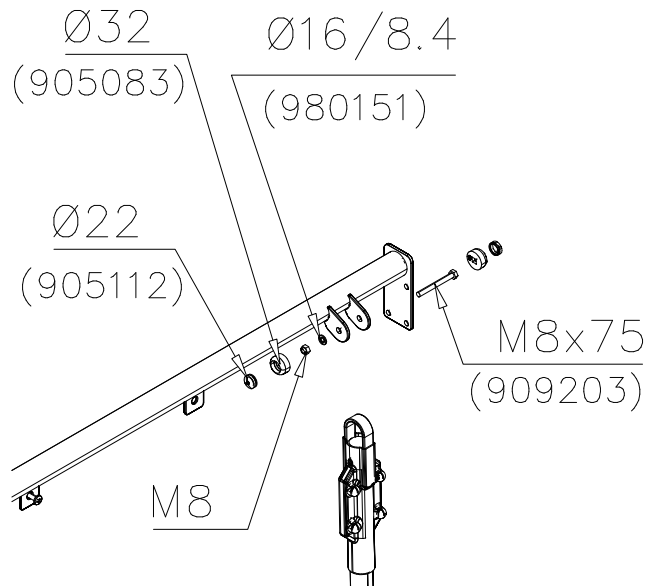
DET 21



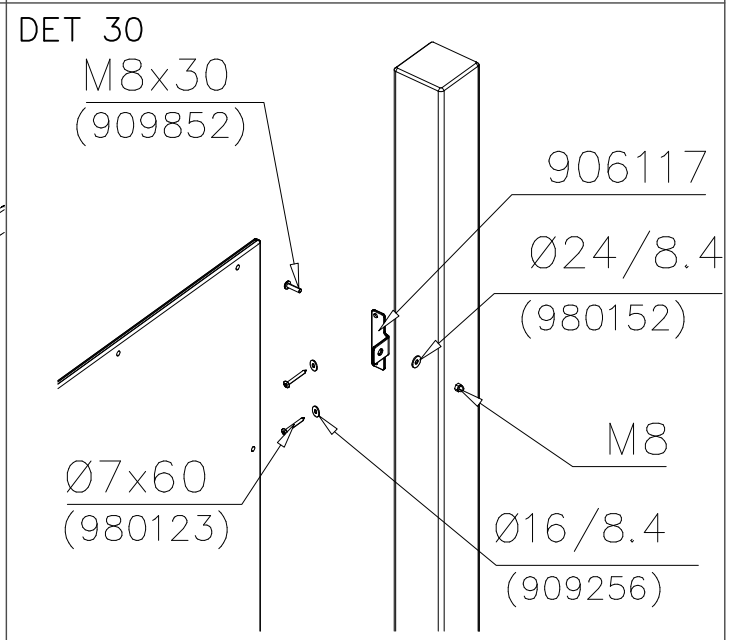
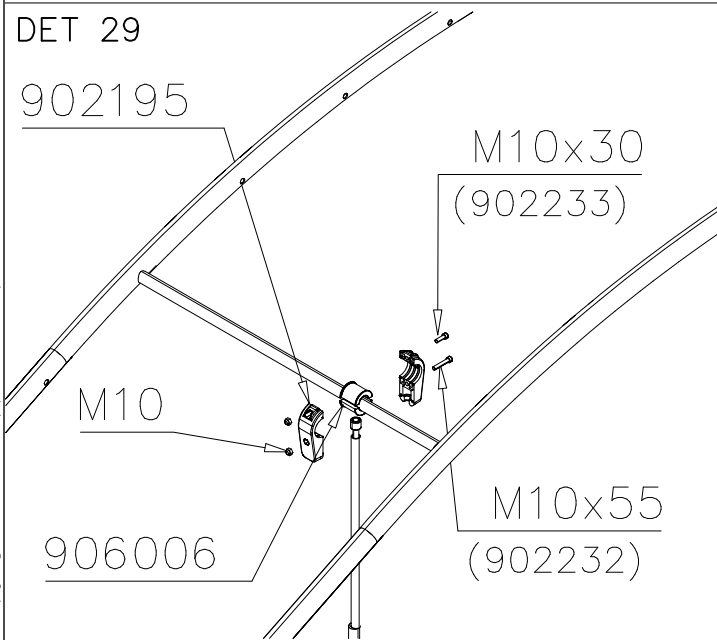
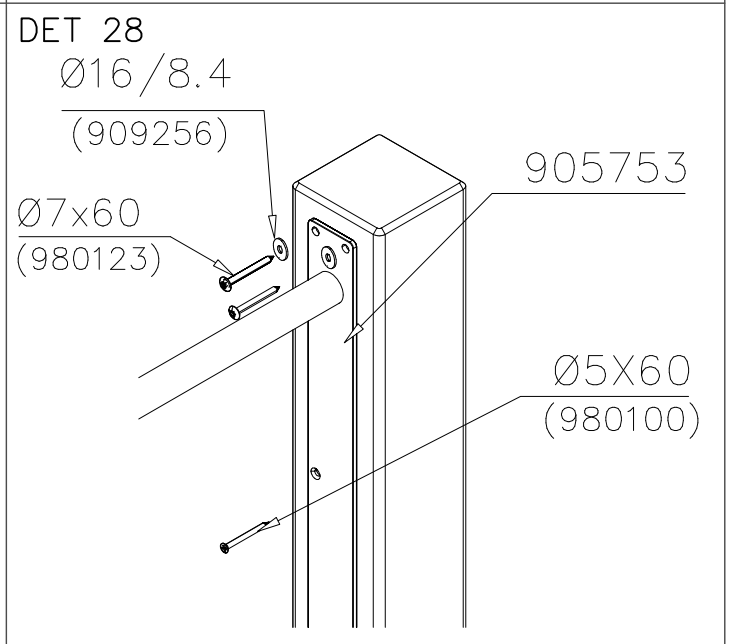
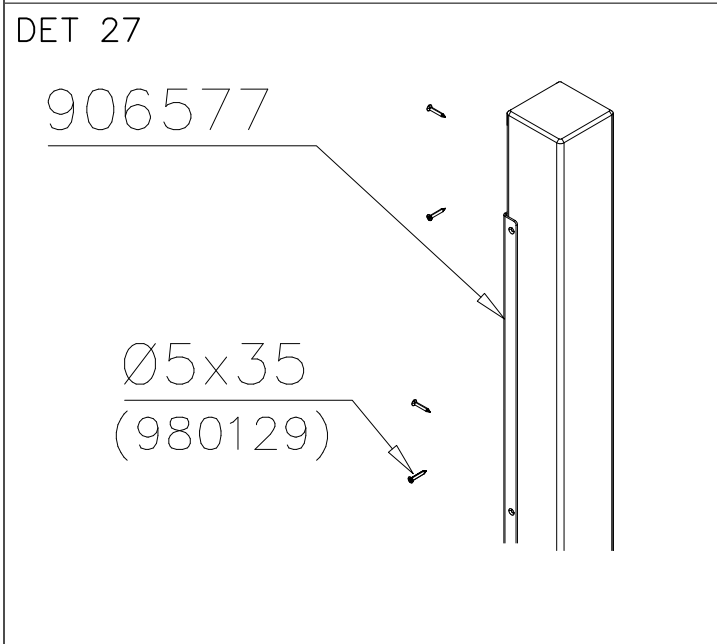
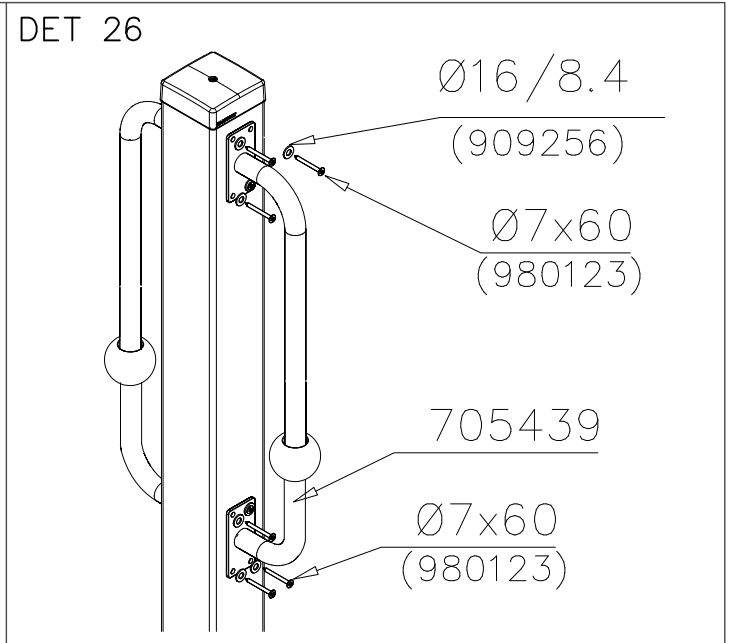
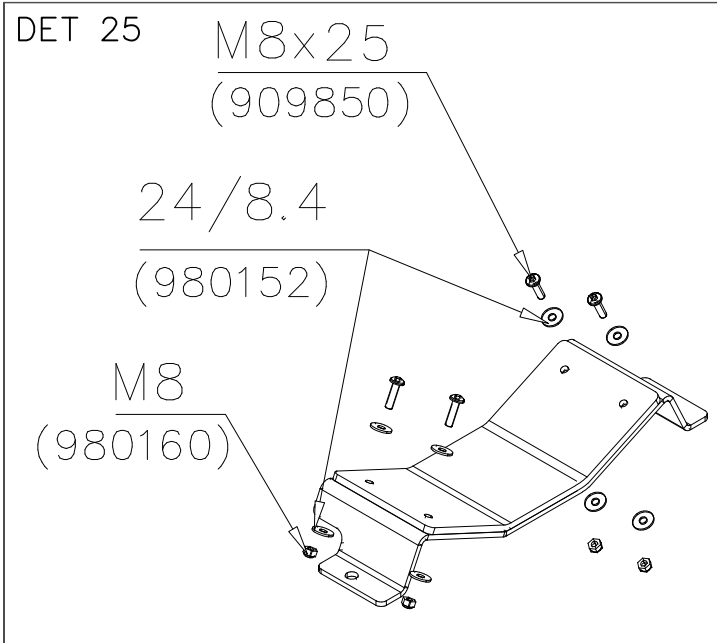
DET 22



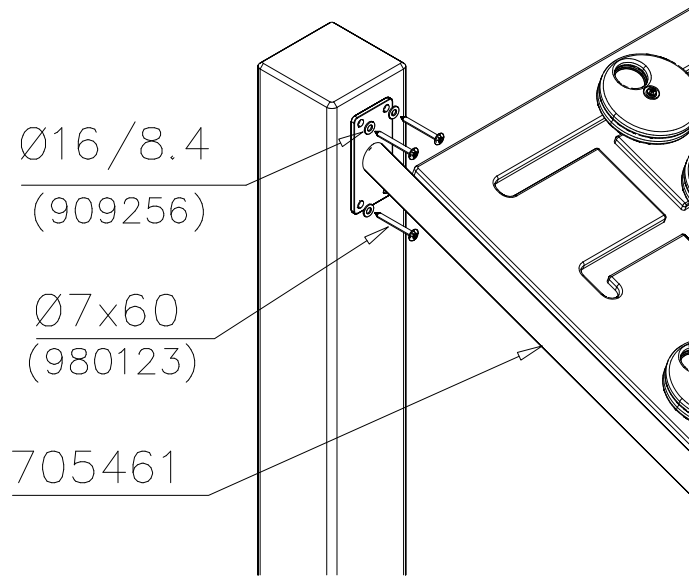
DET 23



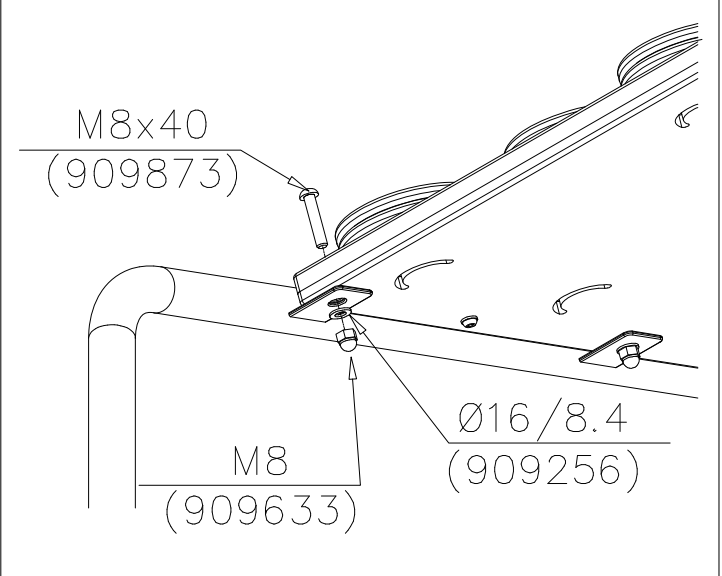
DET 24



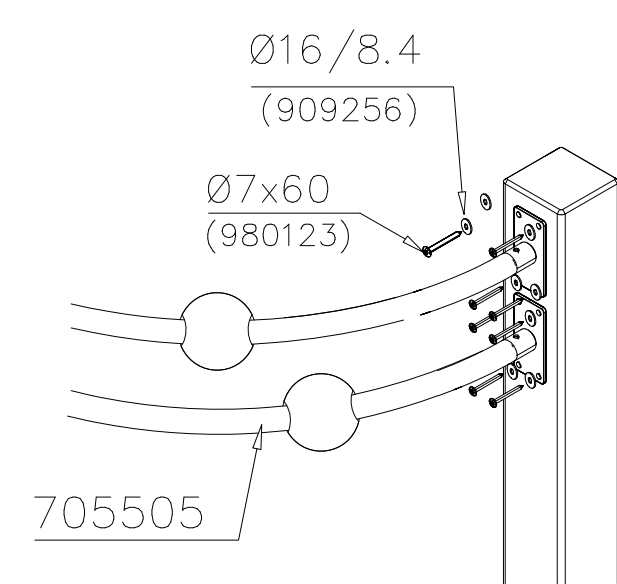
DET 31



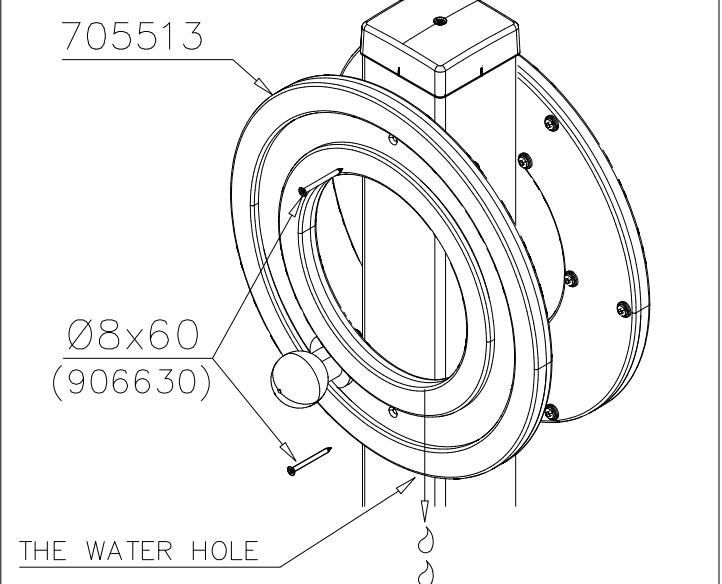
DET 32



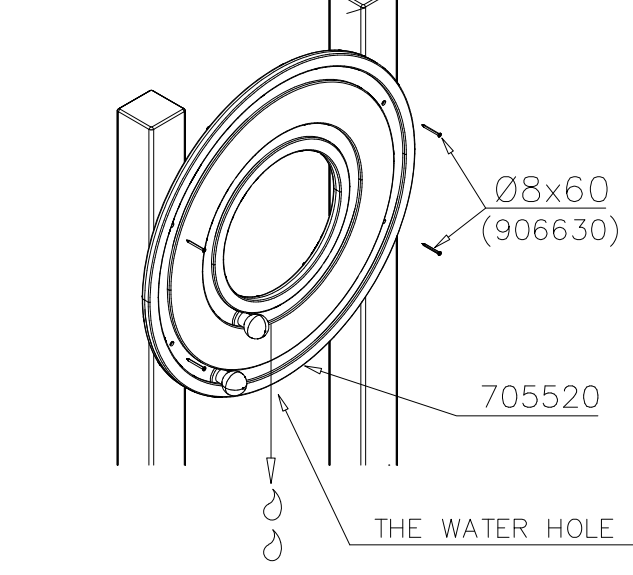
DET 33



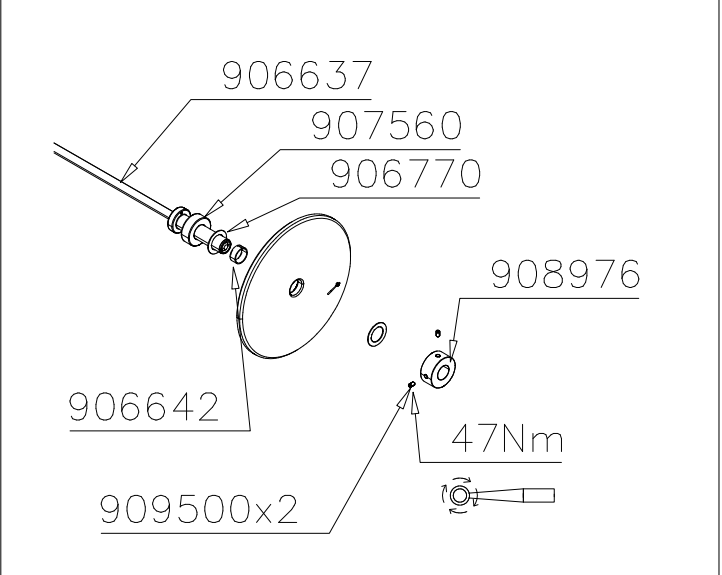
DET 34



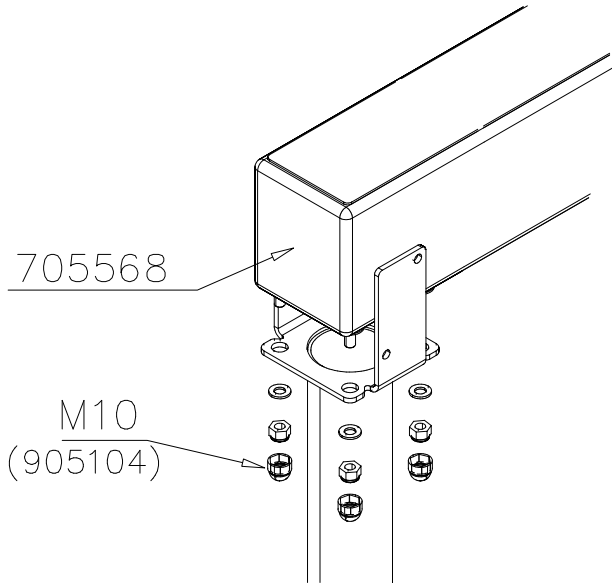
DET 35



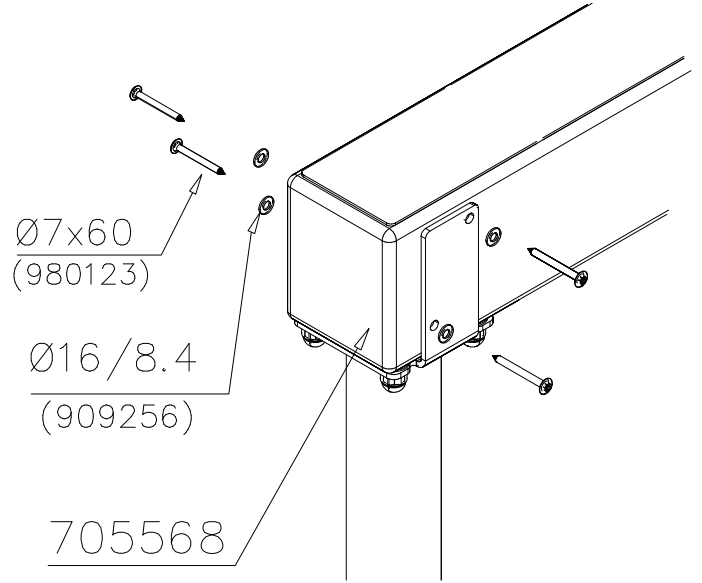
DET 36



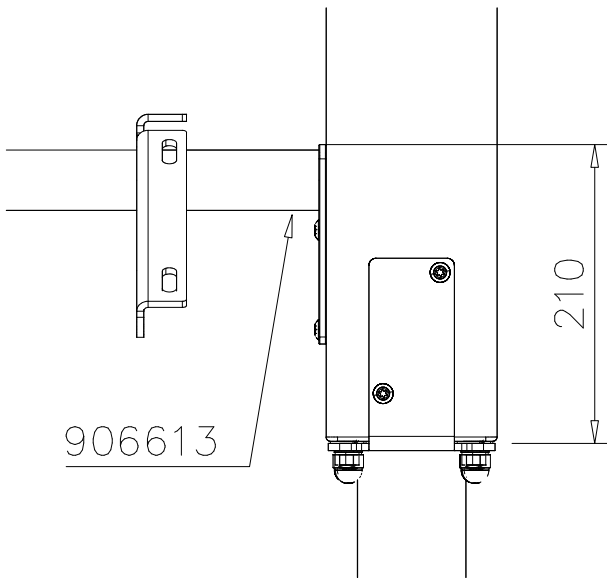
DET 37



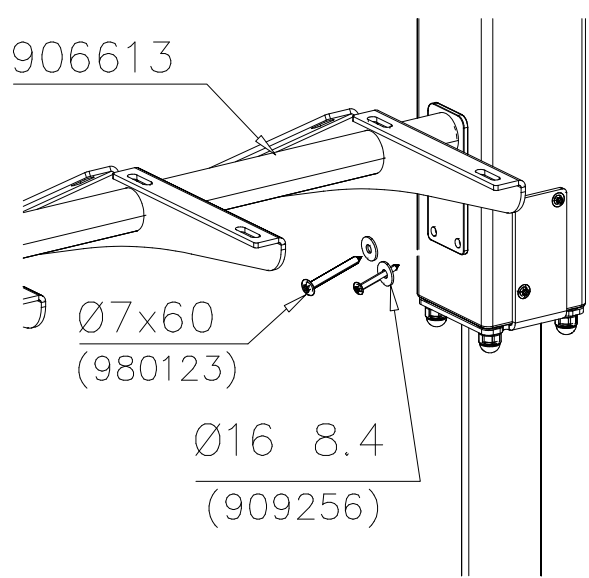
DET 38



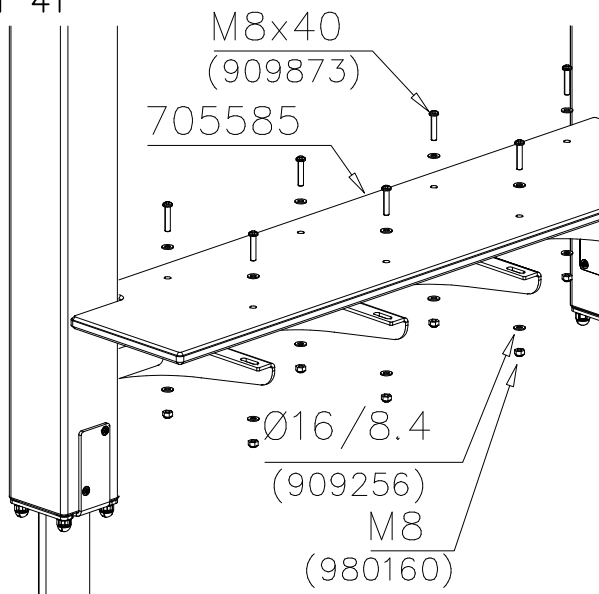
DET 39



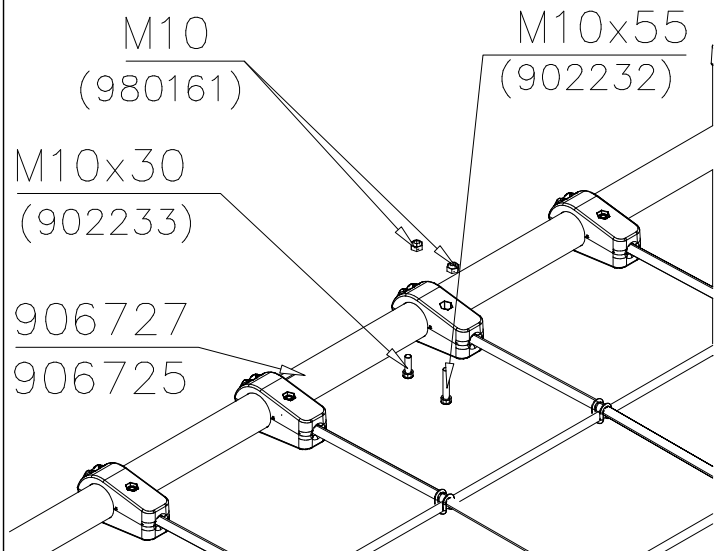
DET 40

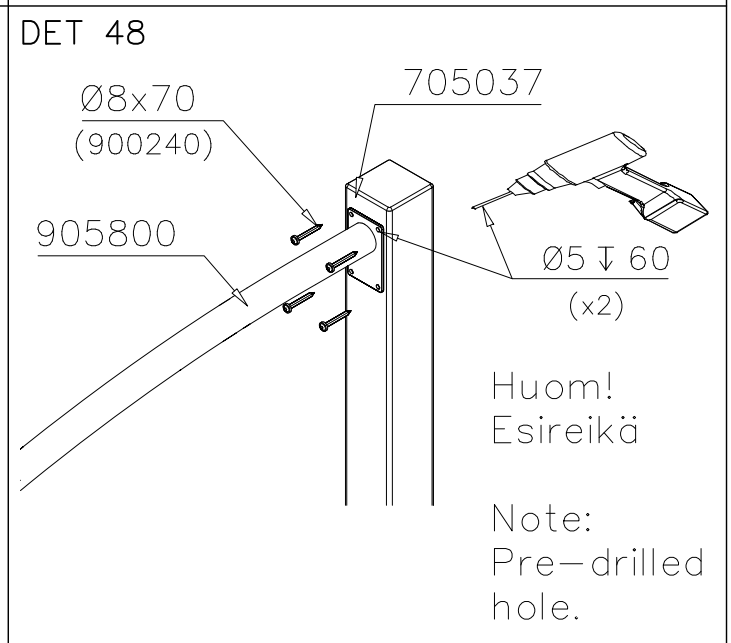
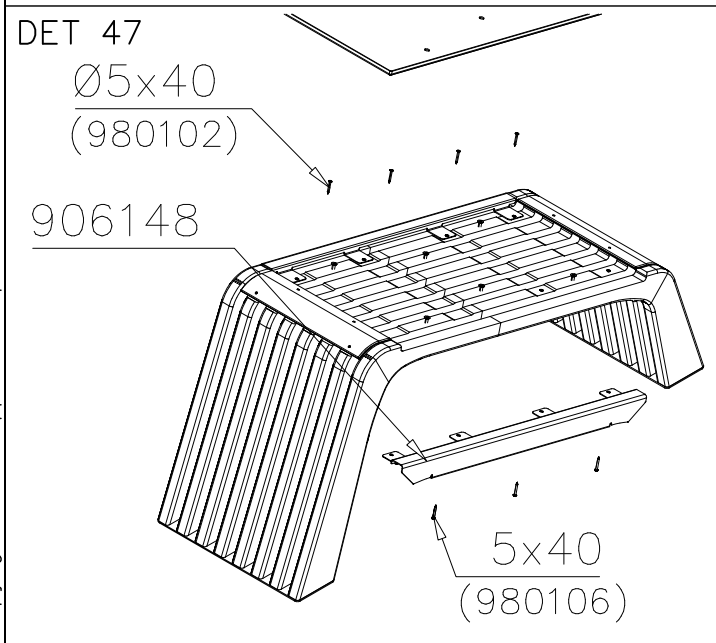
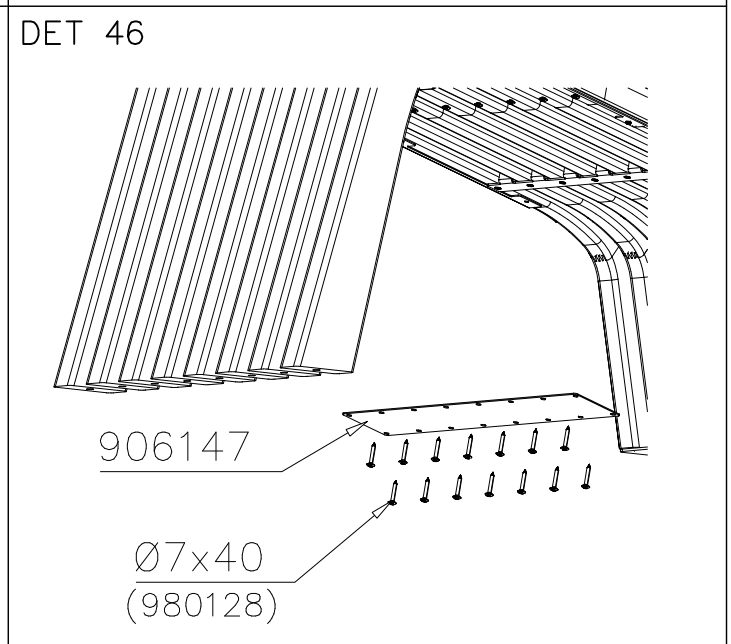
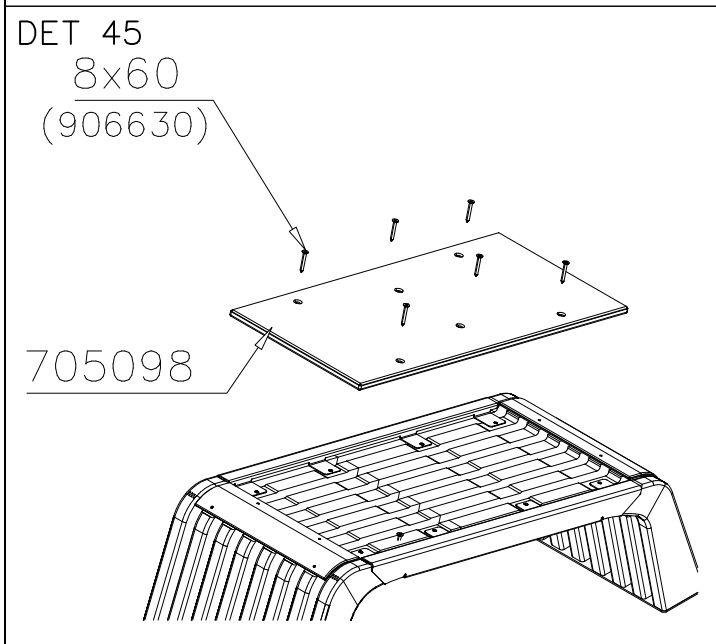
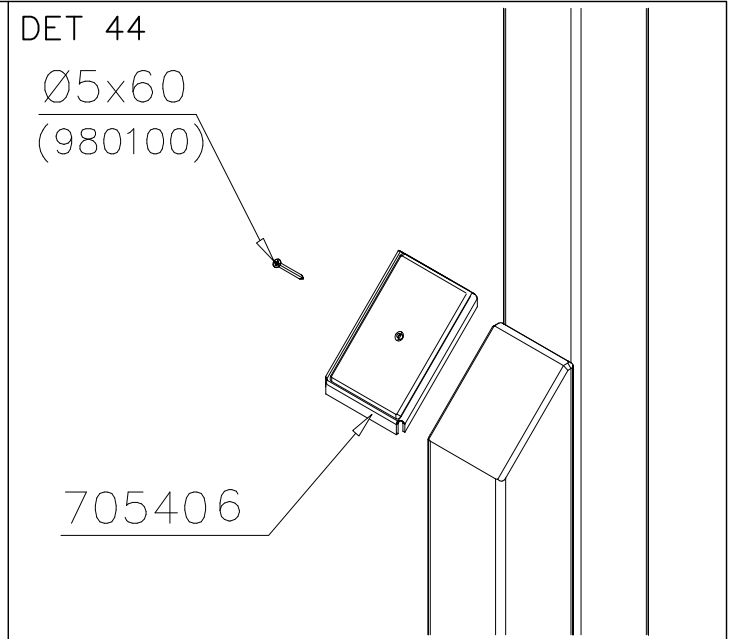
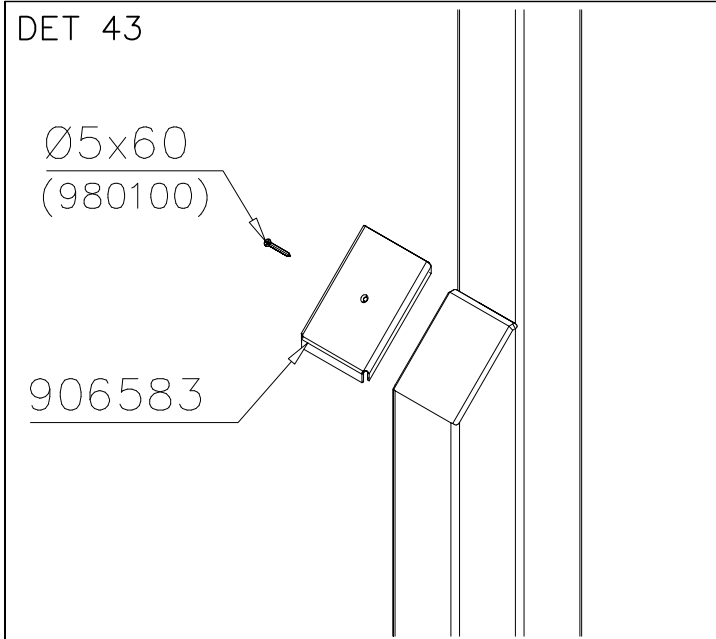


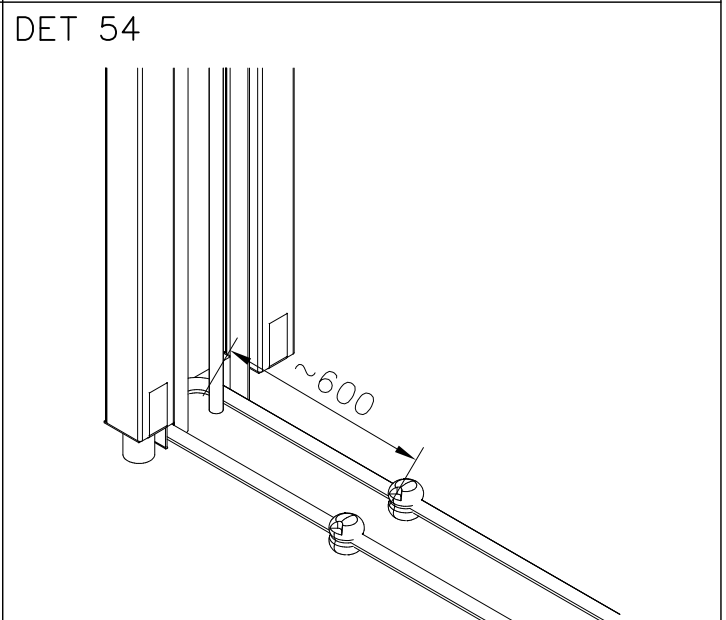
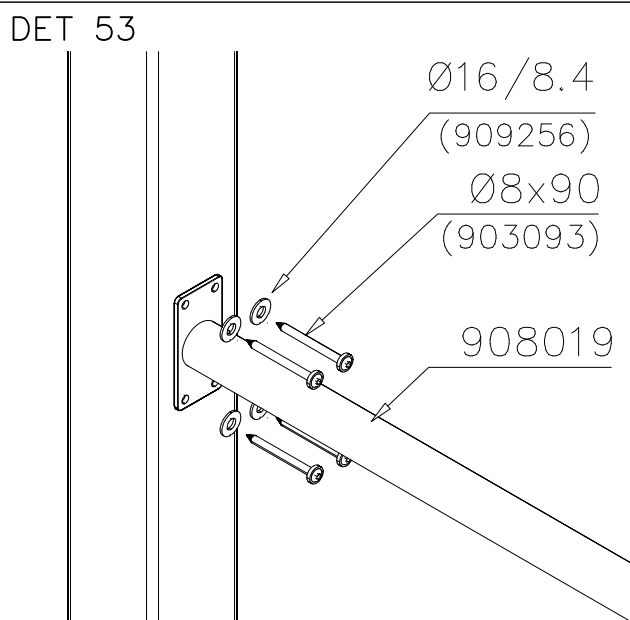
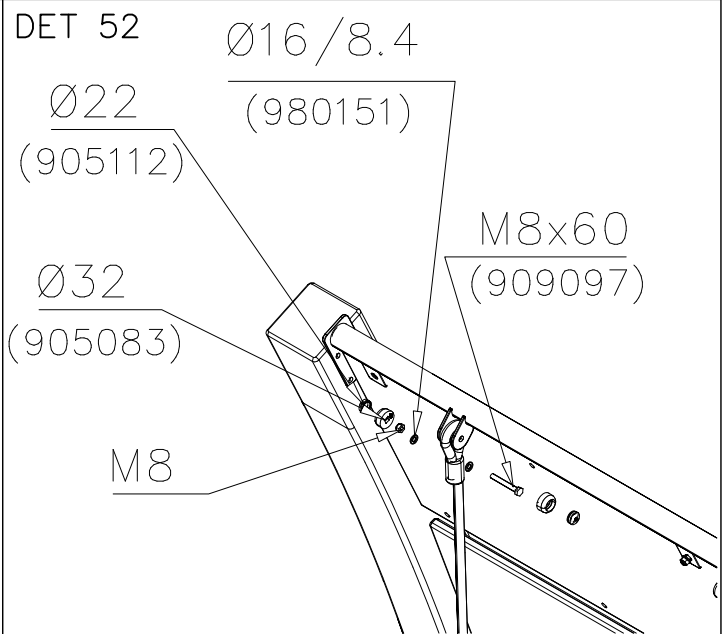
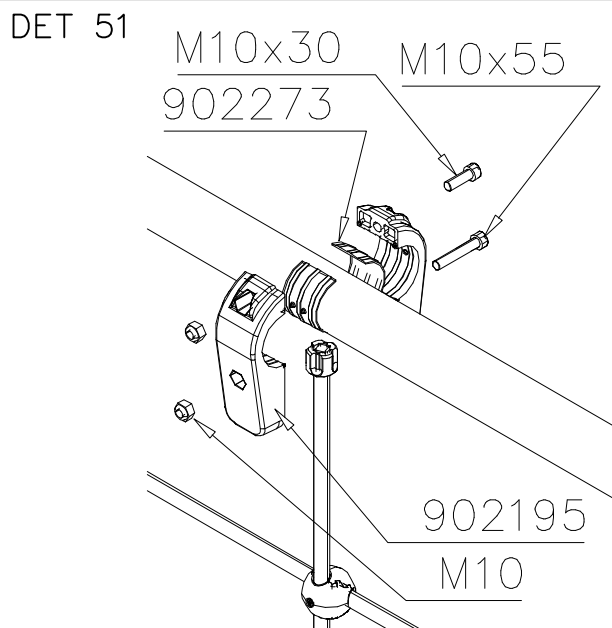
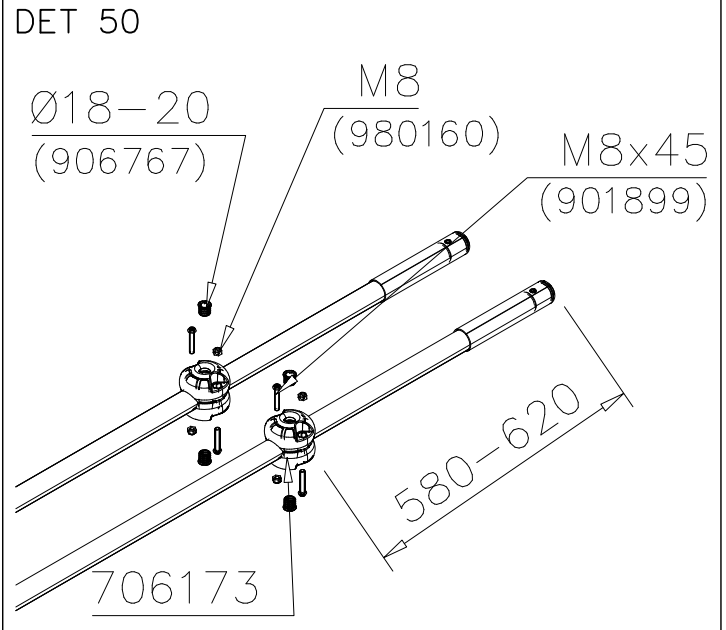
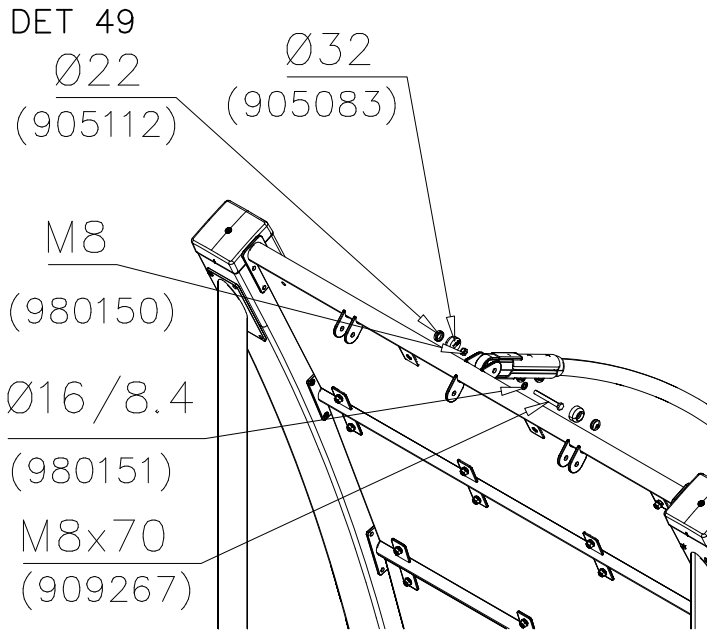
DET 41



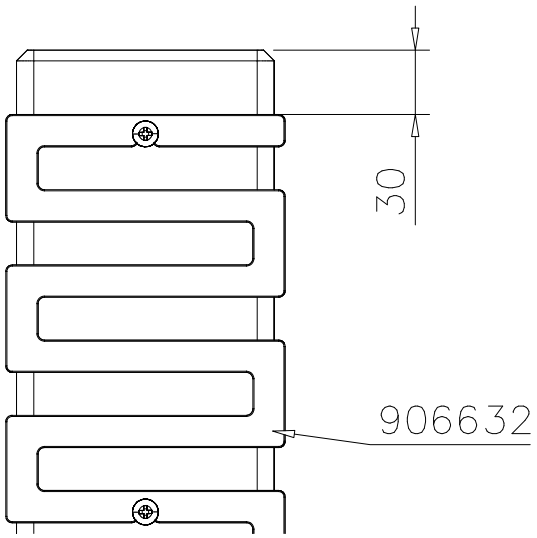
DET 42



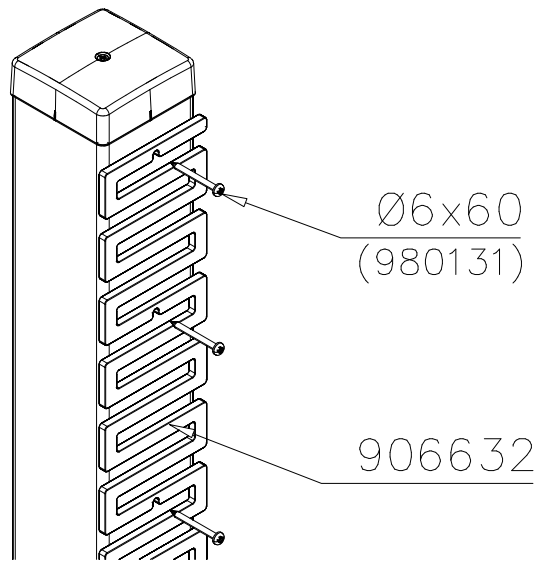




DET 55



DET 56



DET 57

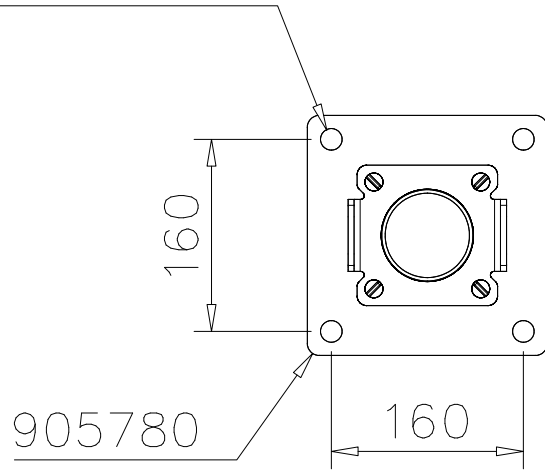
DET 58

DET 59

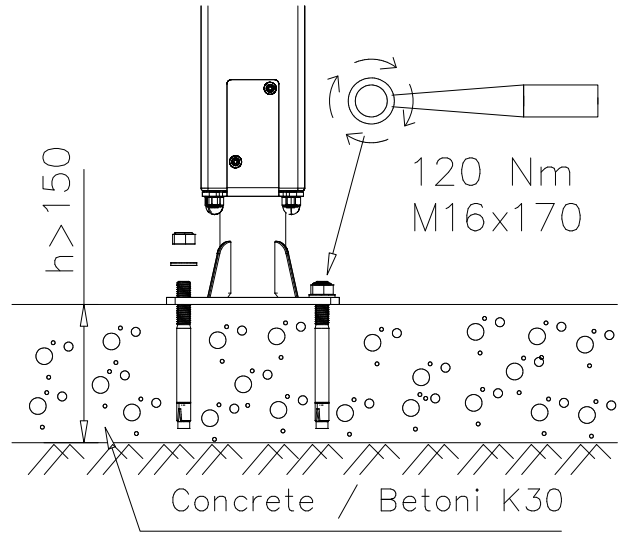
DET 60

DET 1

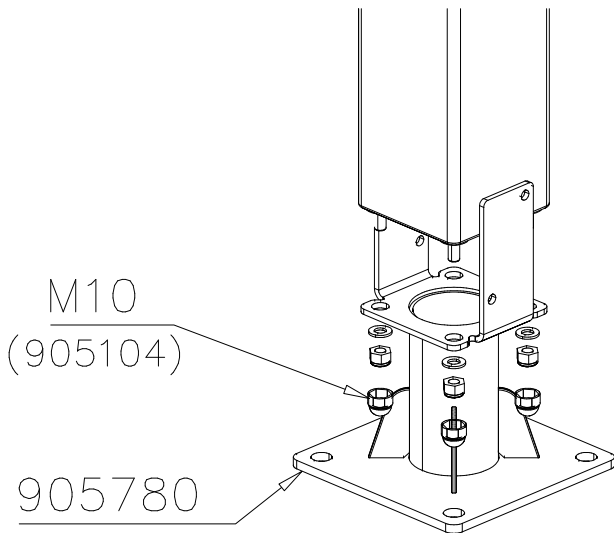
$\varnothing 16 \downarrow > 130$



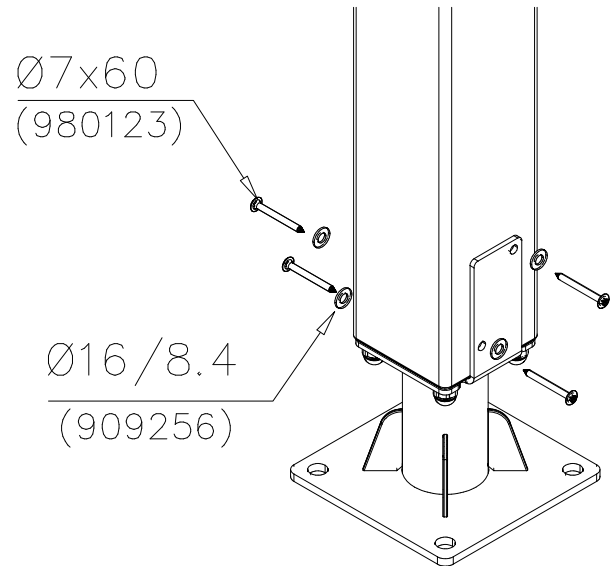
DET 2



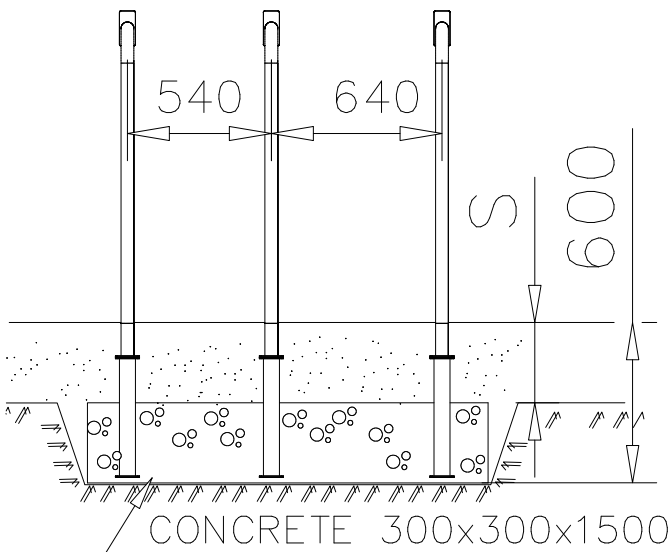
DET 3



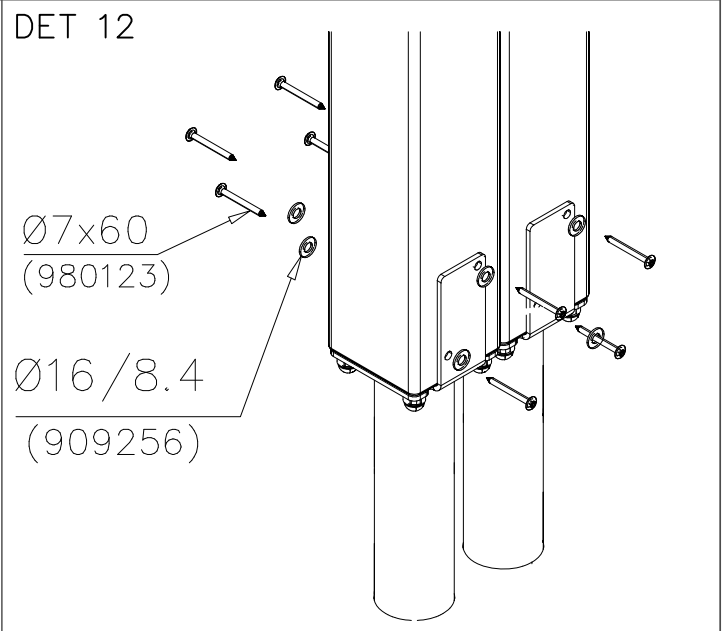
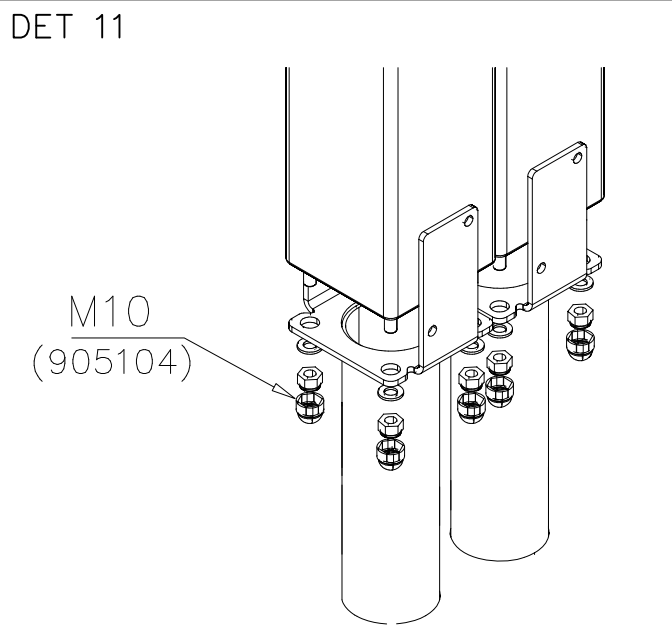
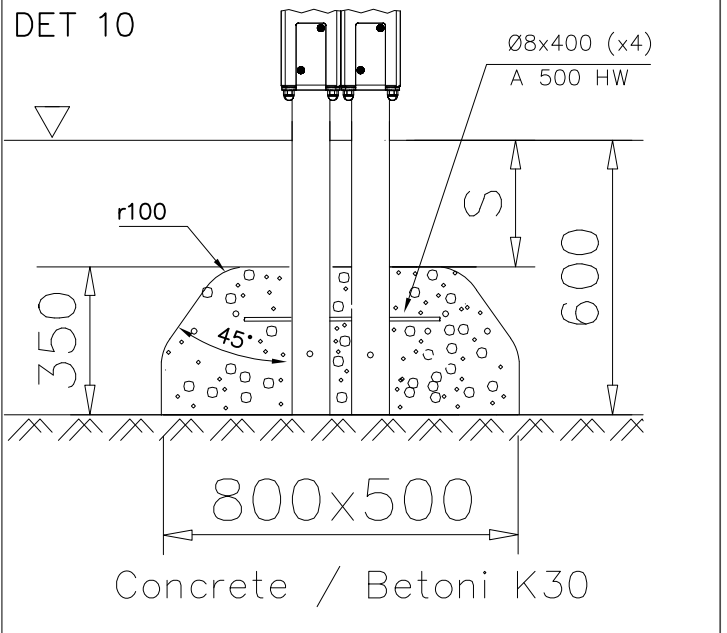
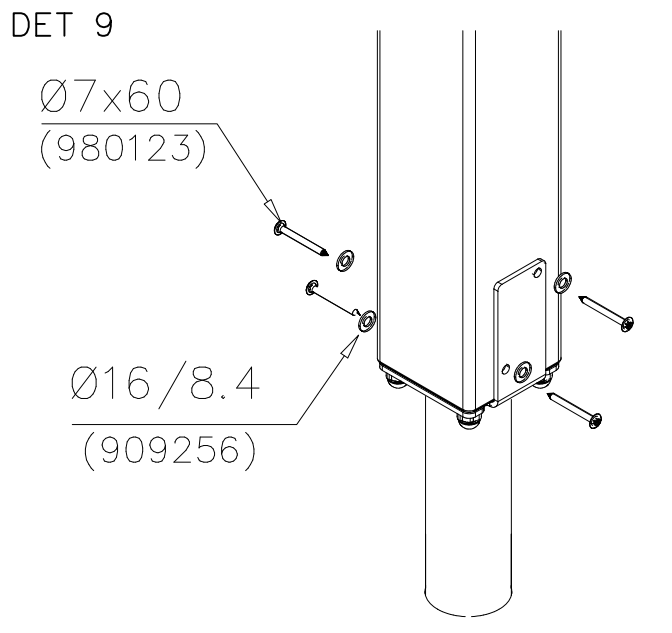
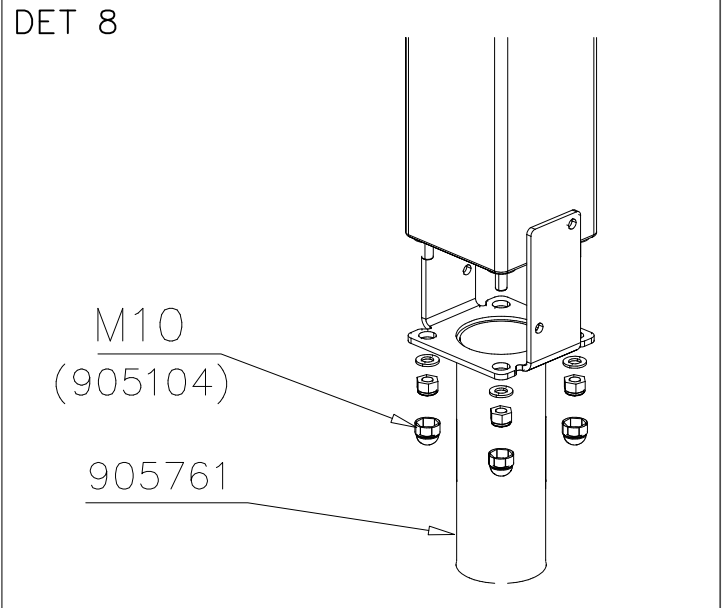
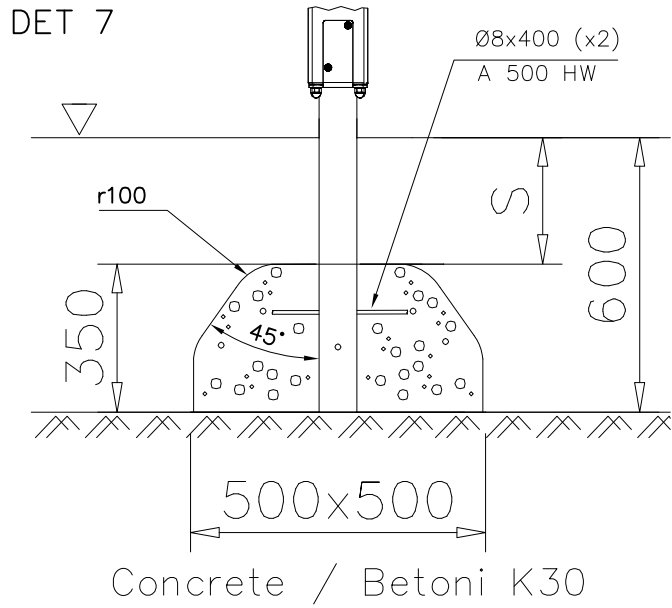
DET 4



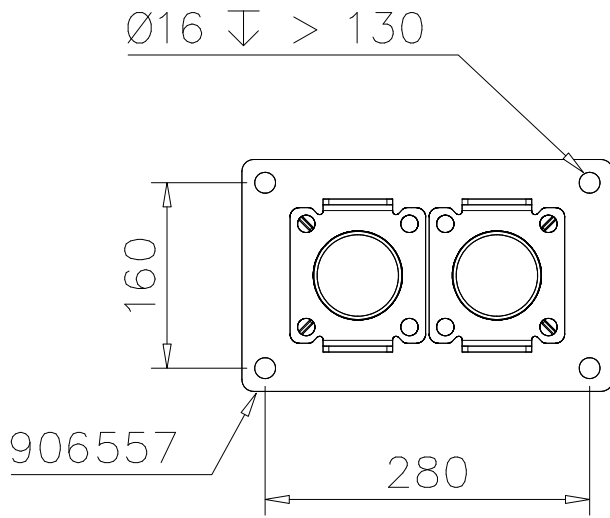
DET 5



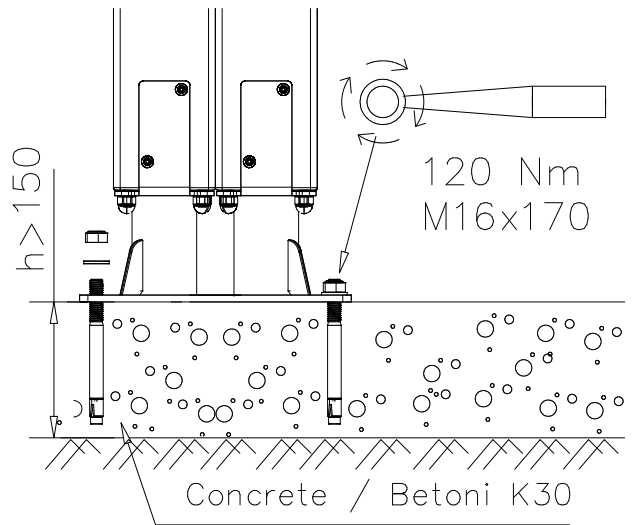
DET 6



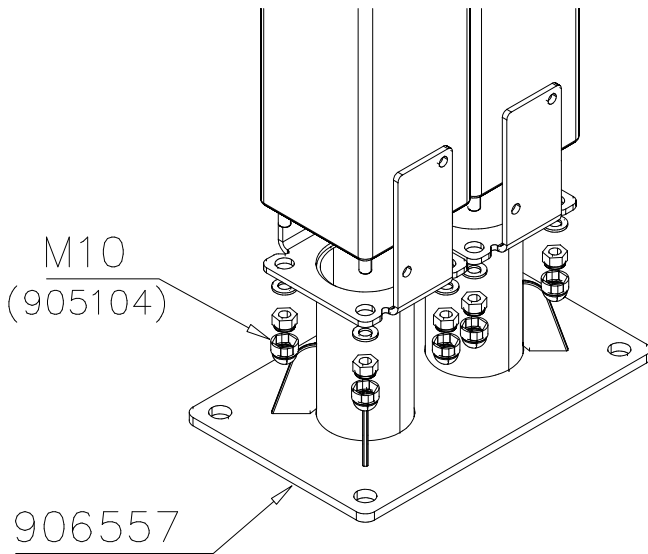
DET 13



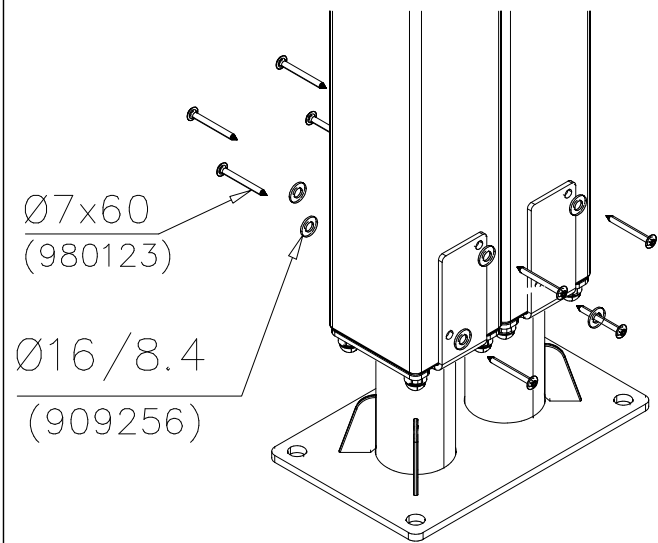
DET 14



DET 15

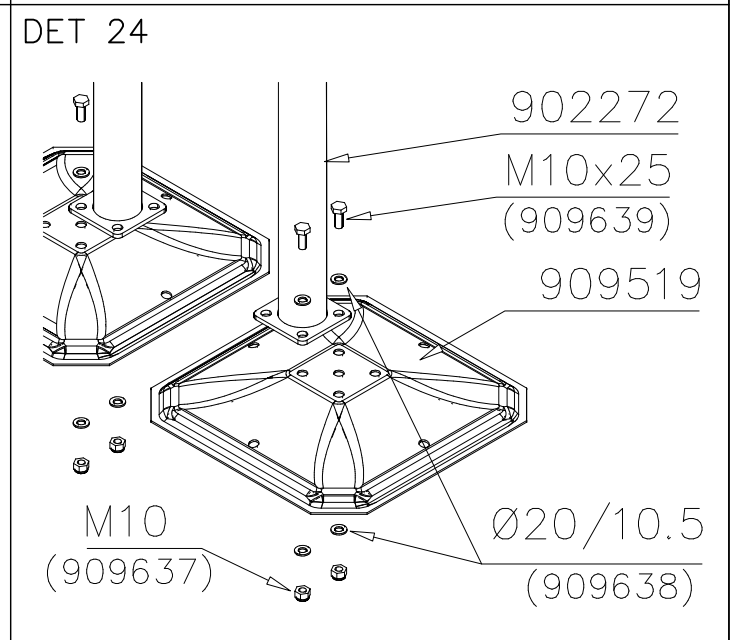
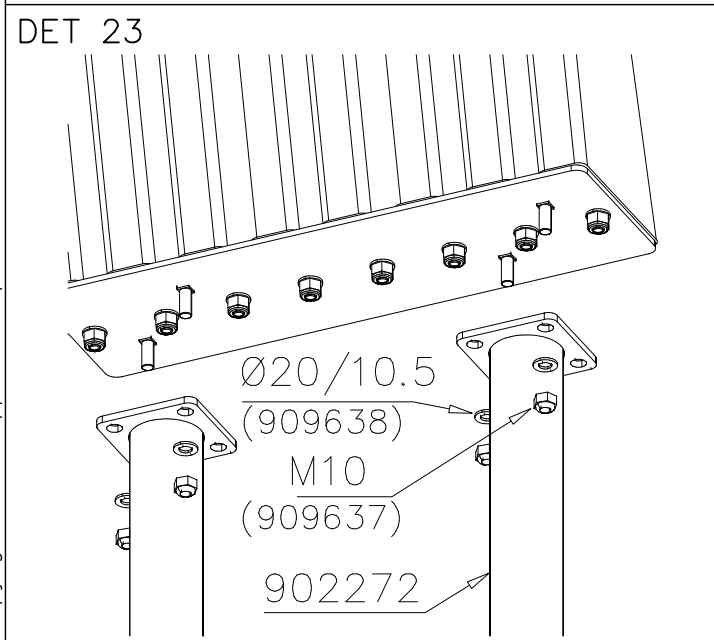
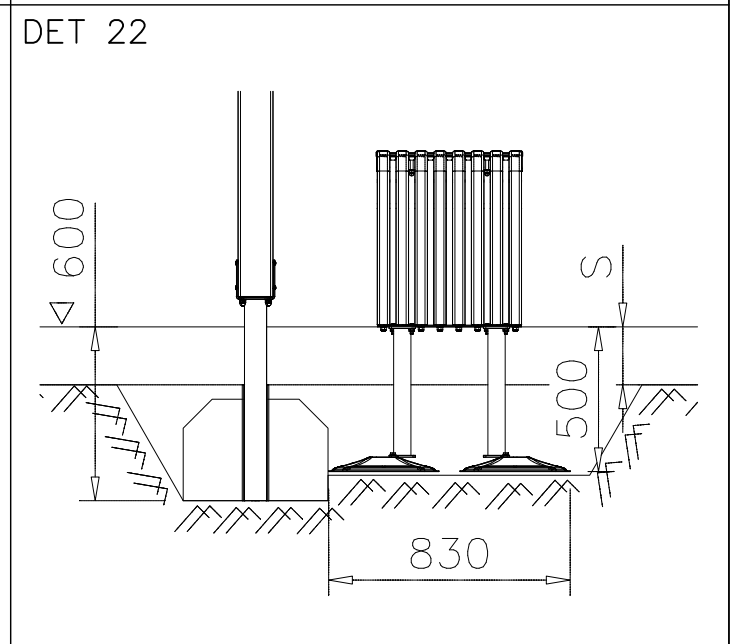
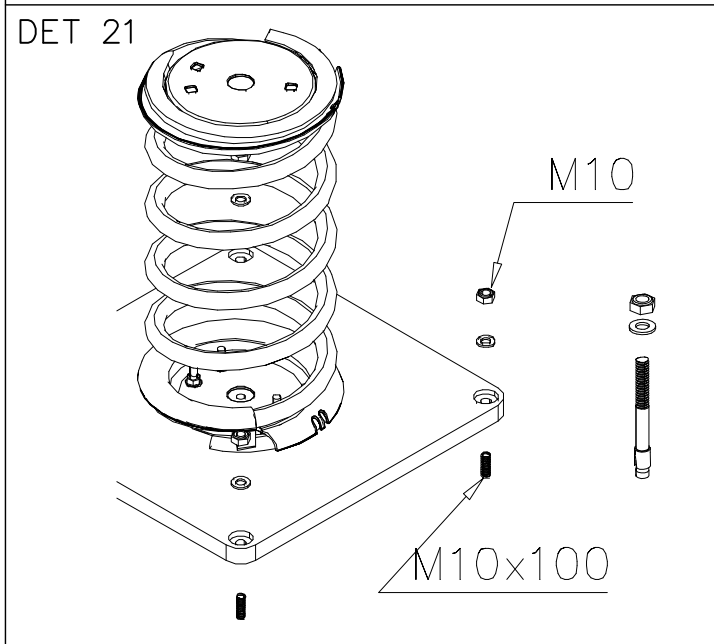
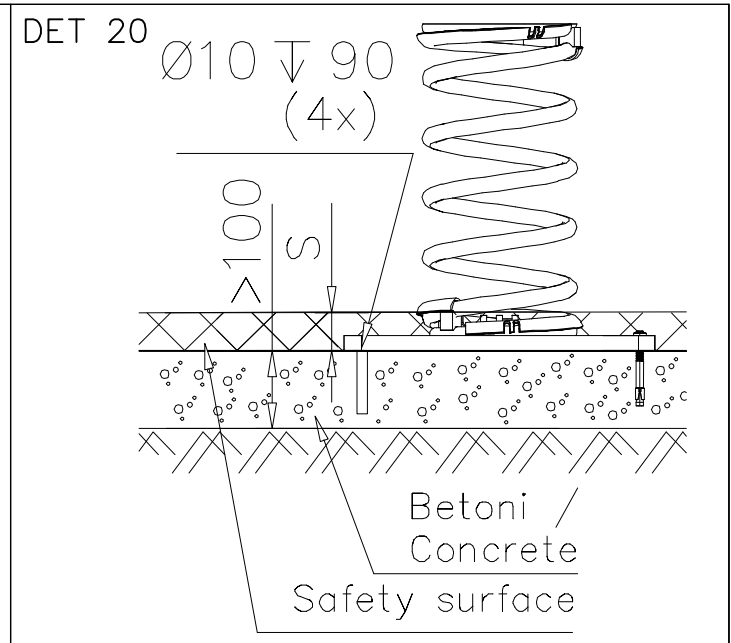
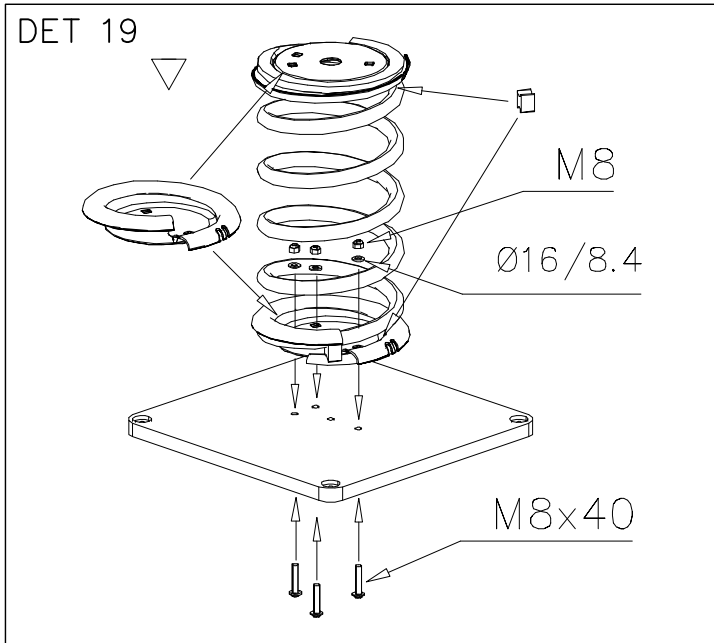


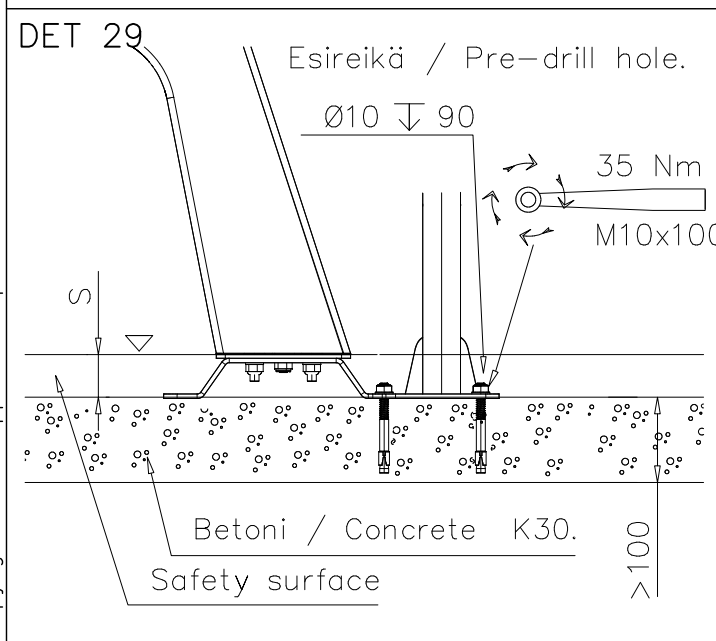
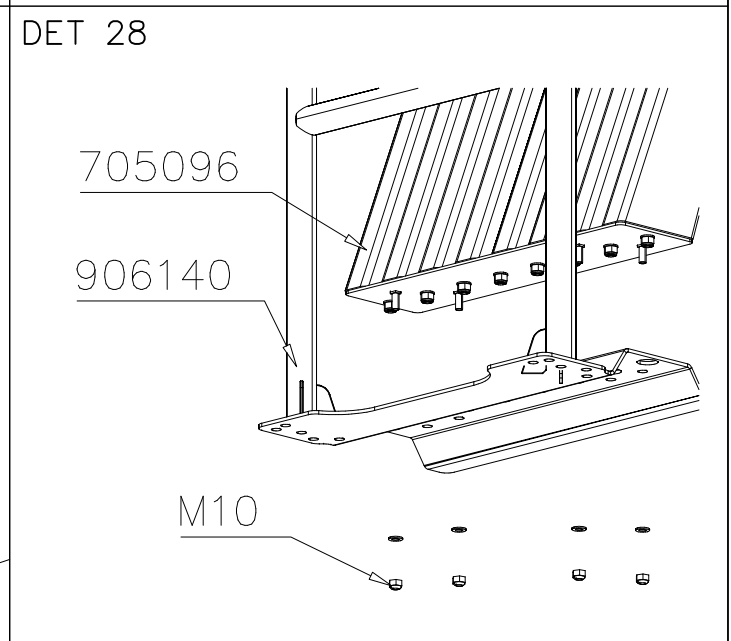
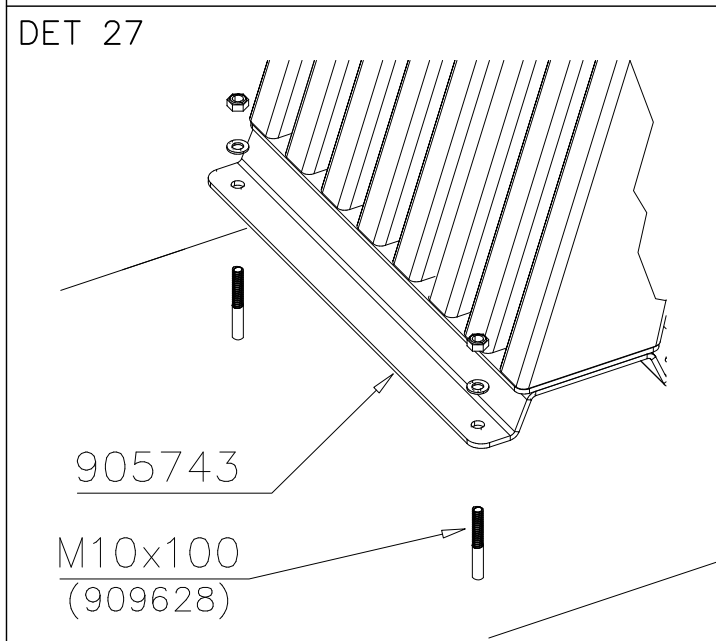
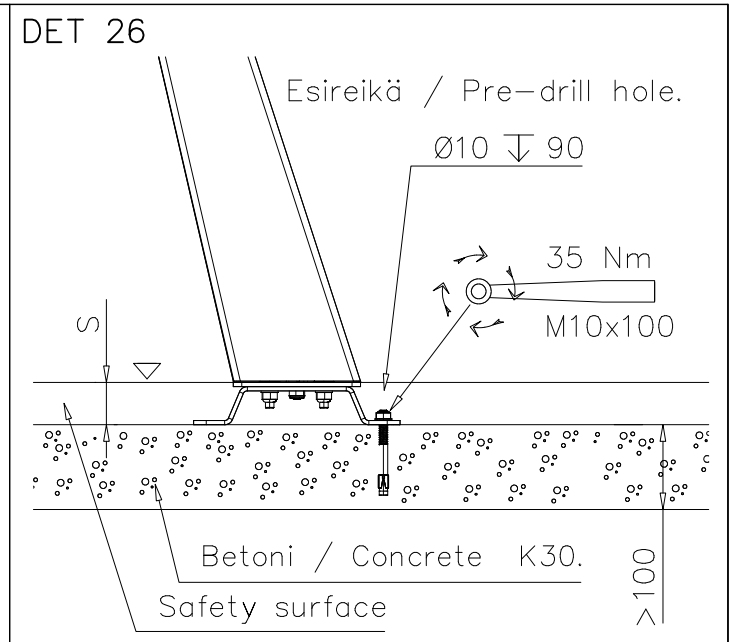
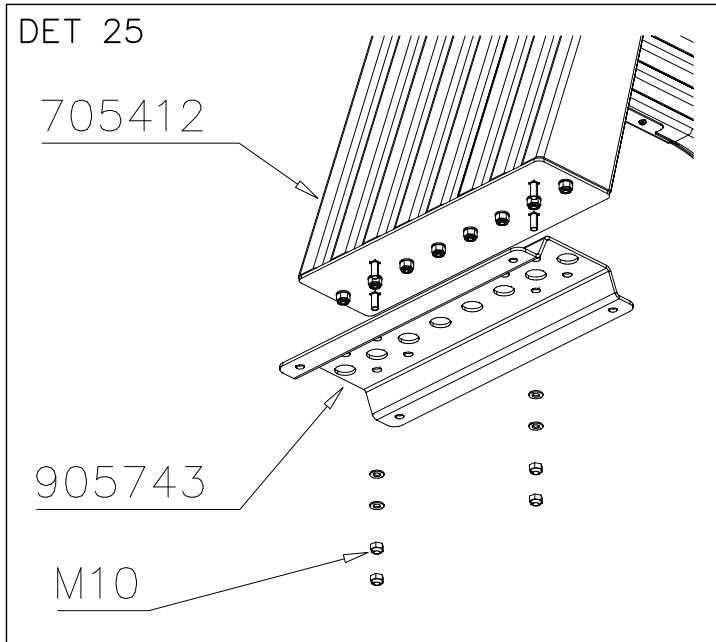
DET 16



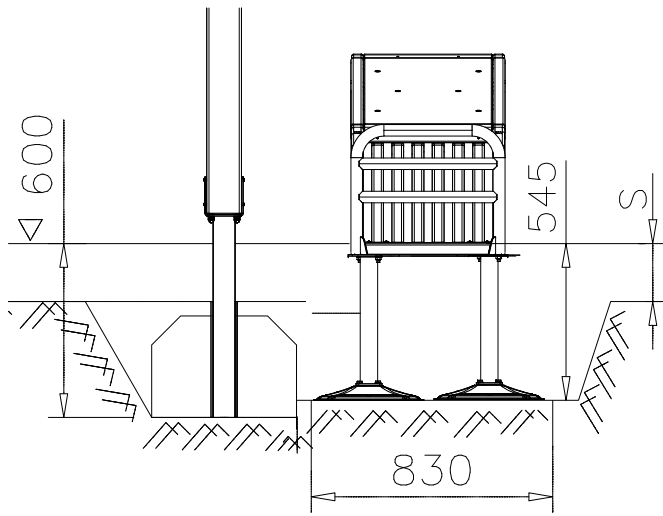
DET 17

DET 18

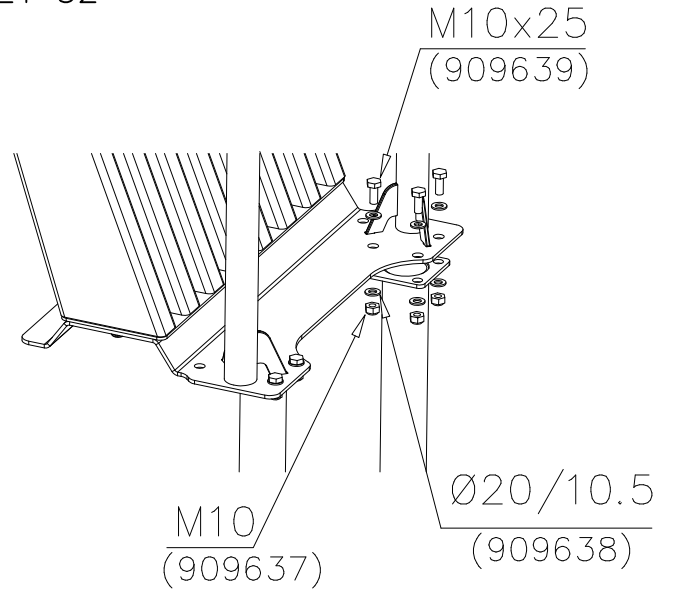




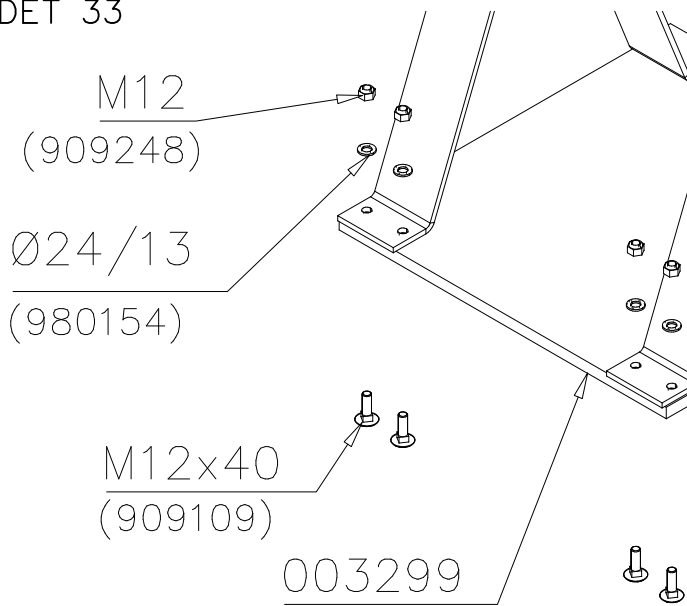
DET 31



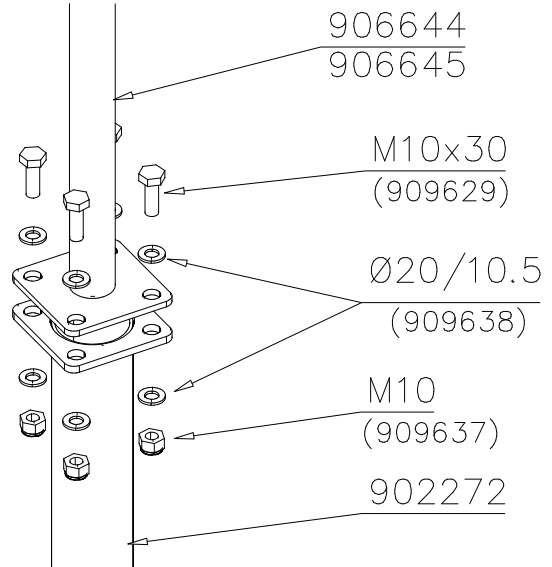
DET 32



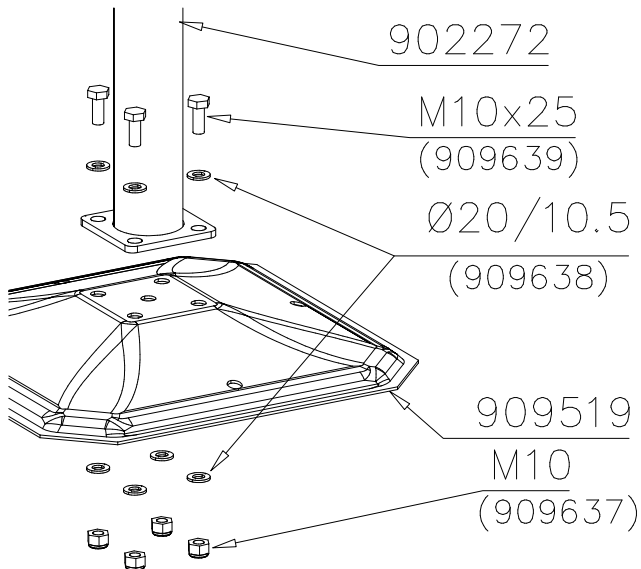
DET 33



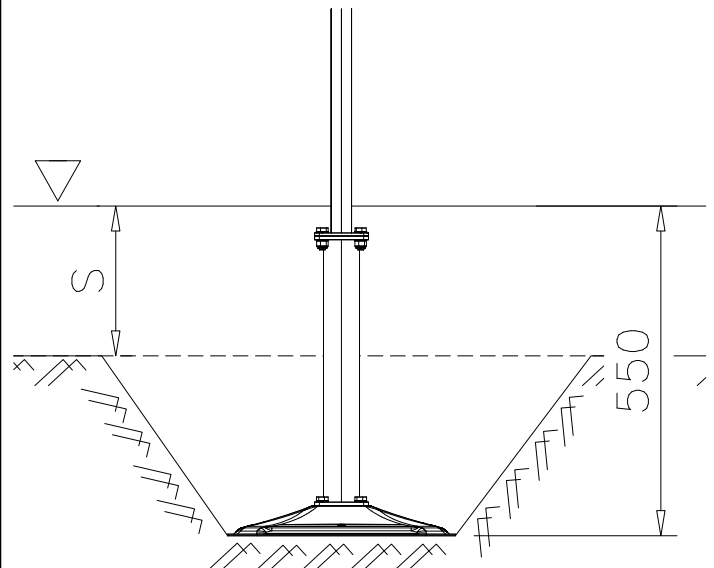
DET 34



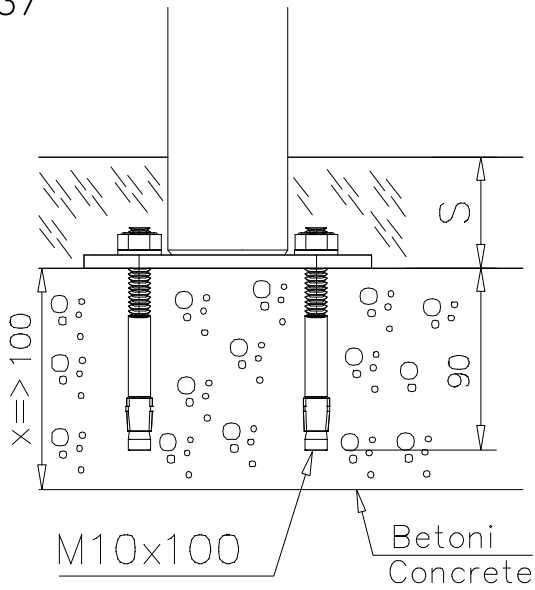
DET 35



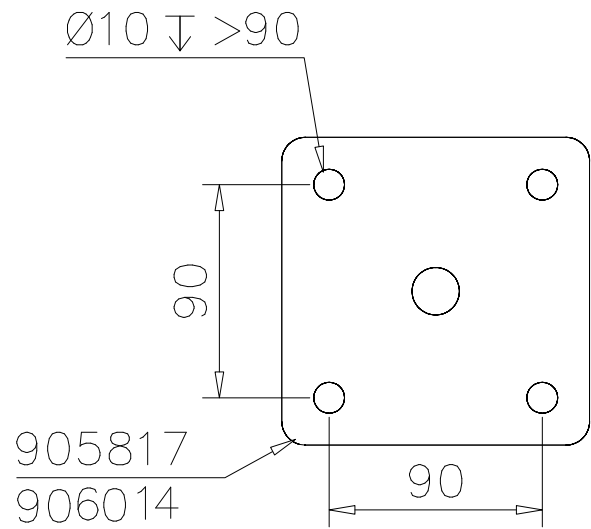
DET 36



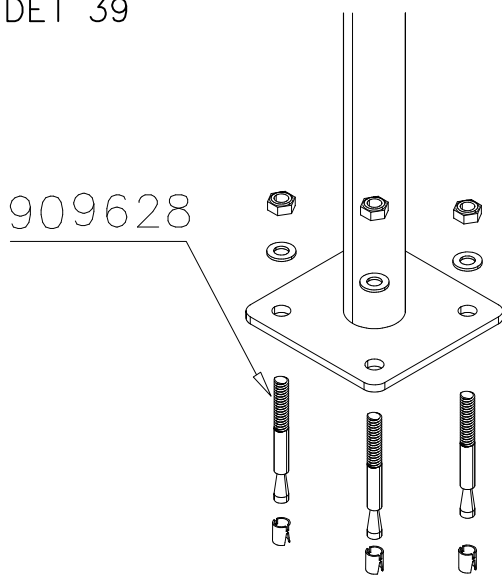
DET 37



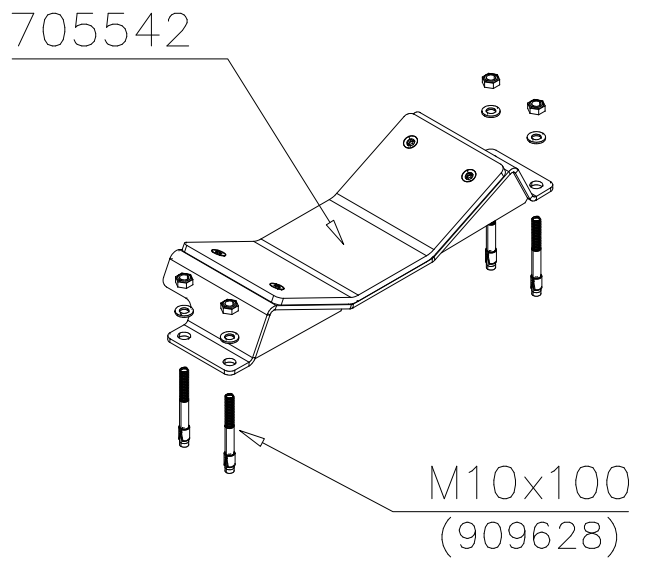
DET 38



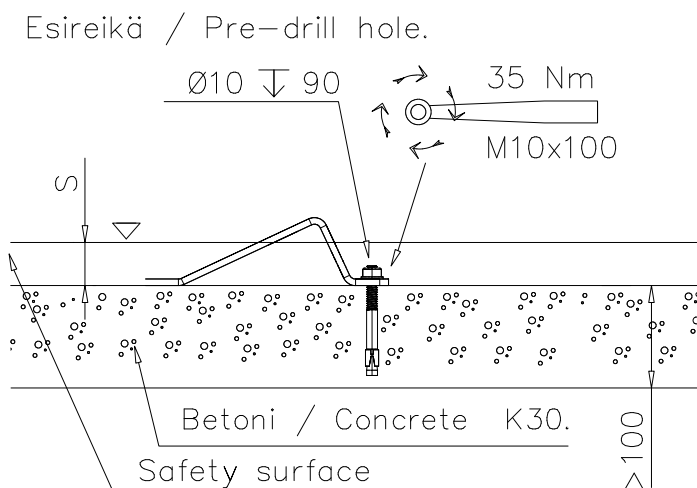
DET 39



DET 40



DET 41



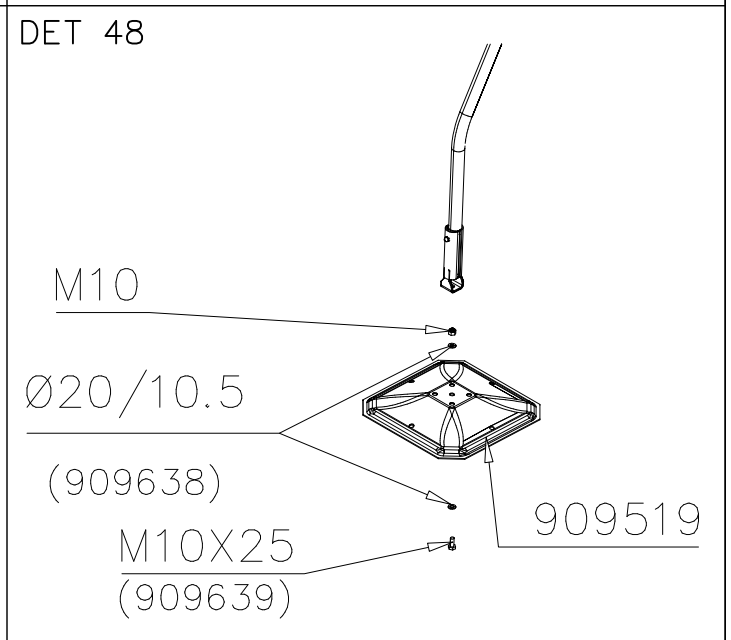
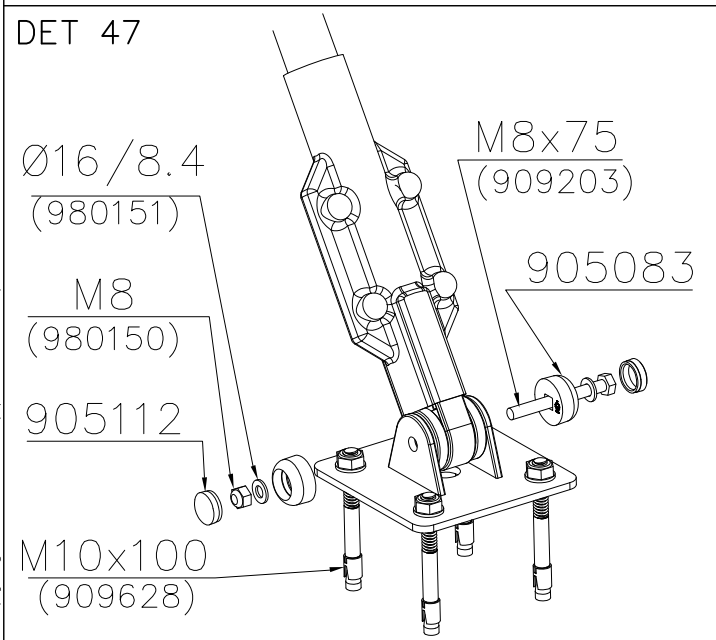
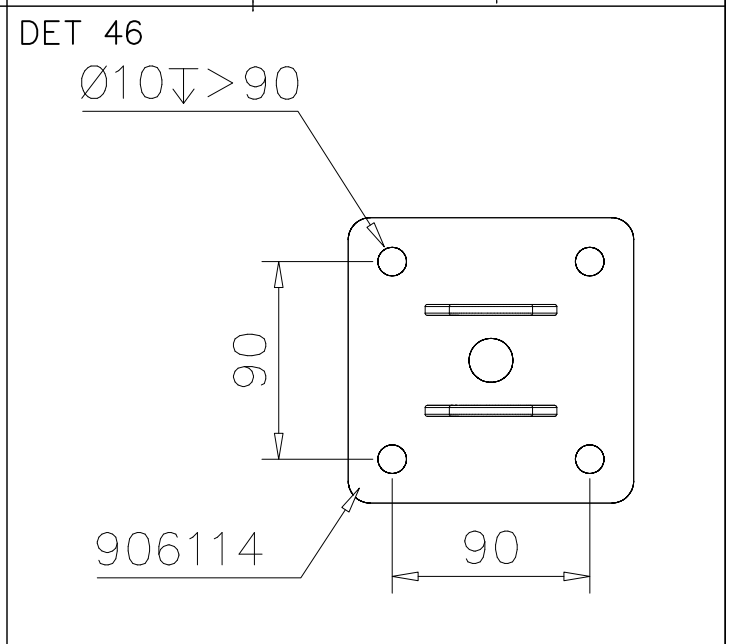
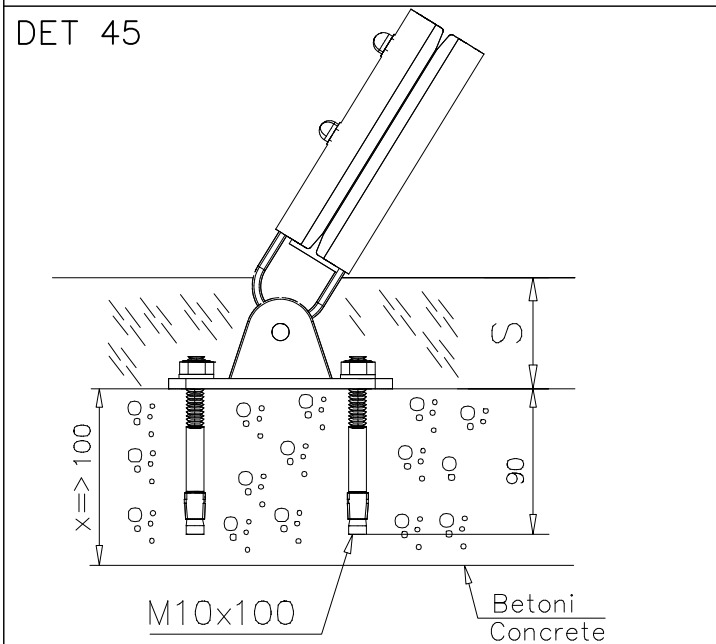
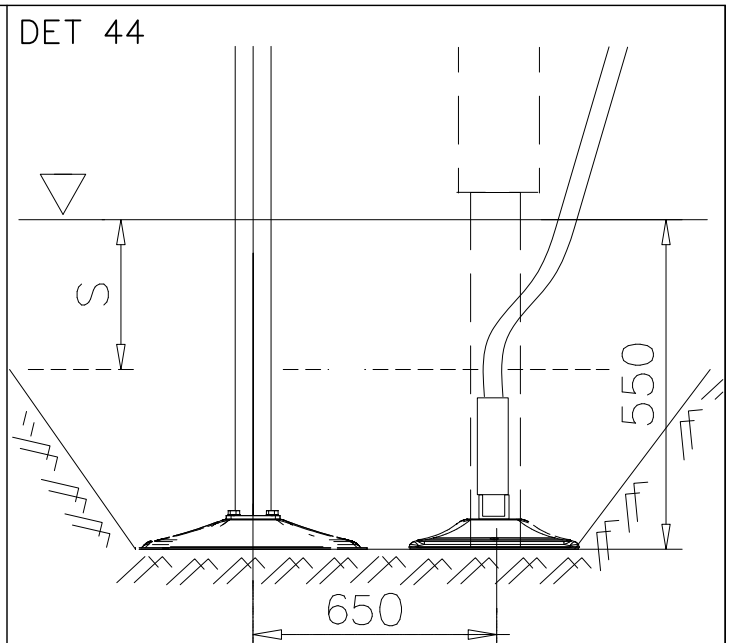
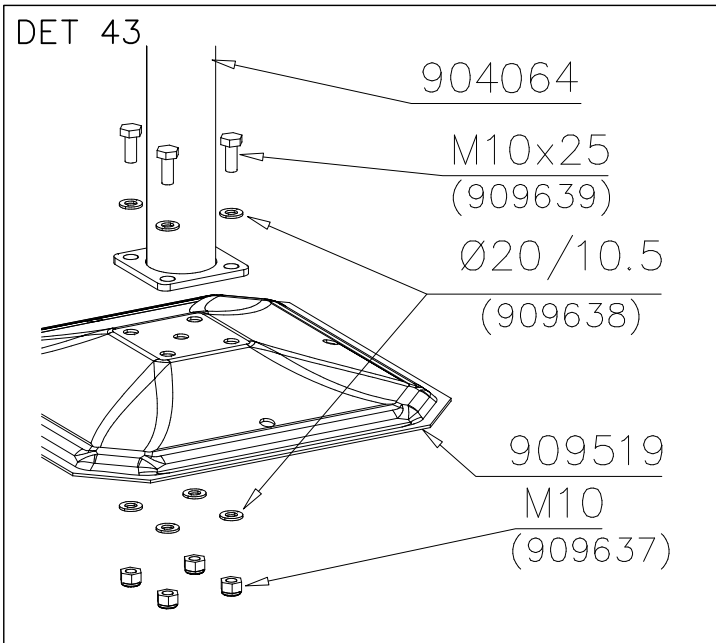
DET 42

LAPPSET SPORT

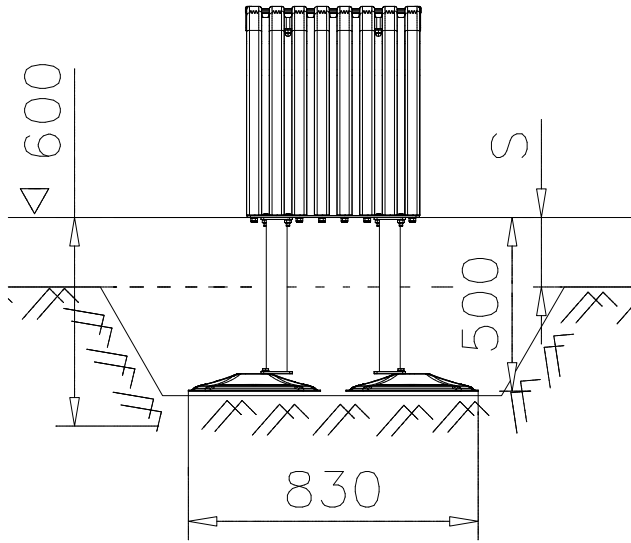
BASE

DATE: 15.8.2017

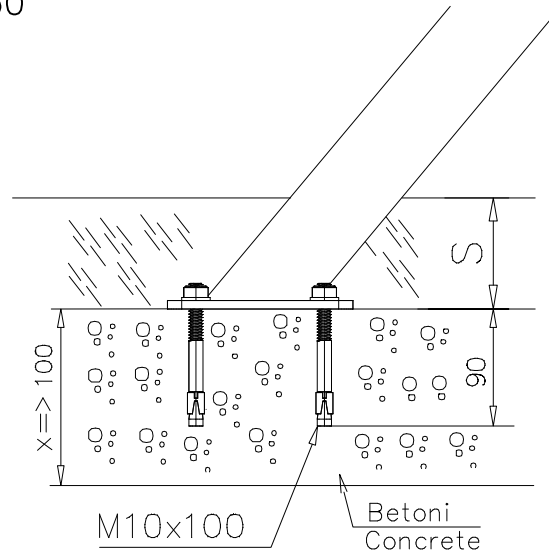
8(10)



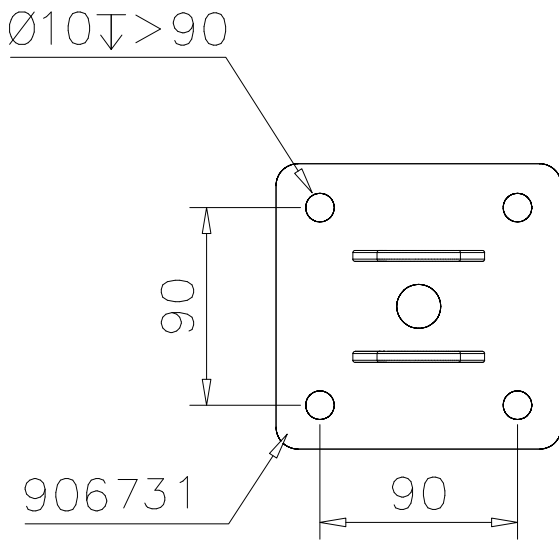
DET 49



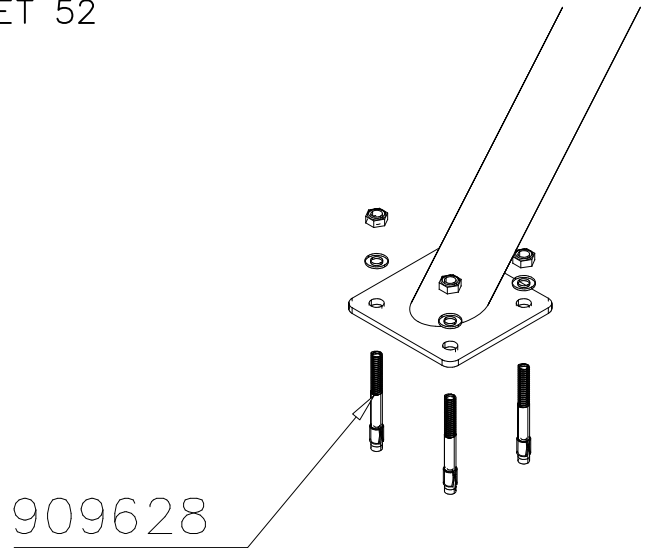
DET 50



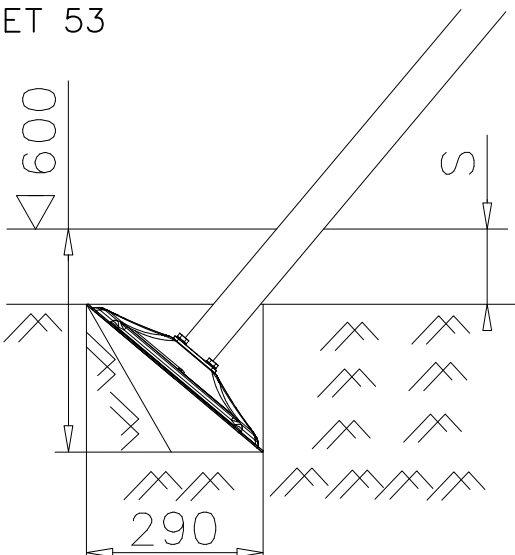
DET 51



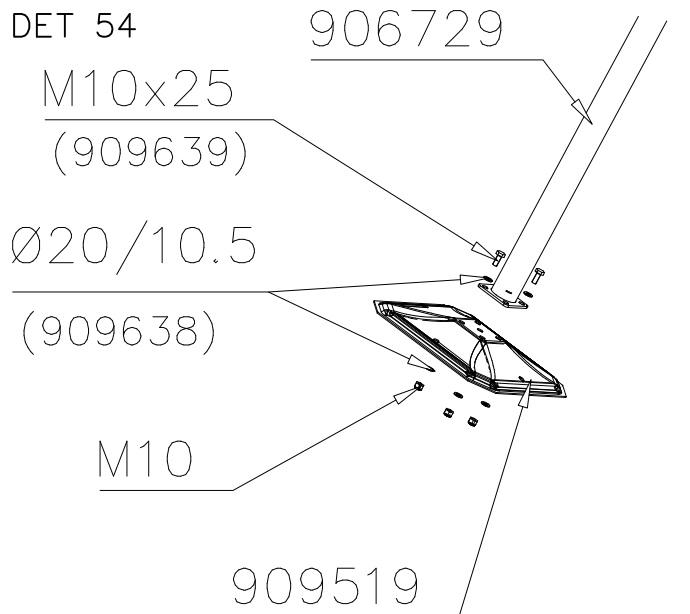
DET 52



DET 53

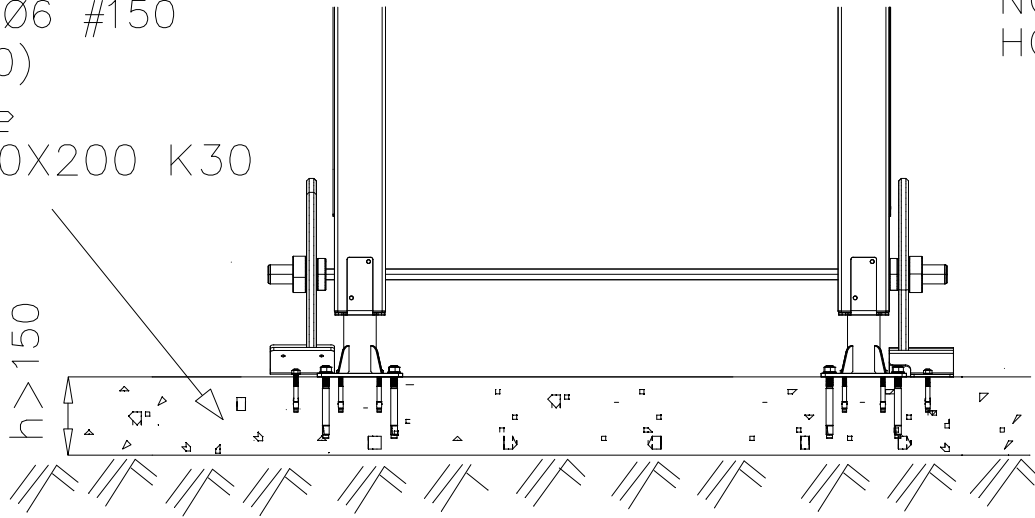


DET 54



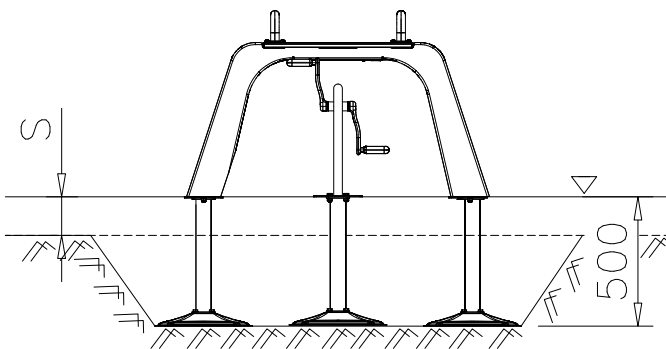
DET 55

STEELNET Ø6 #150
(1400x2100)
Concrete
1500X2200X200 K30

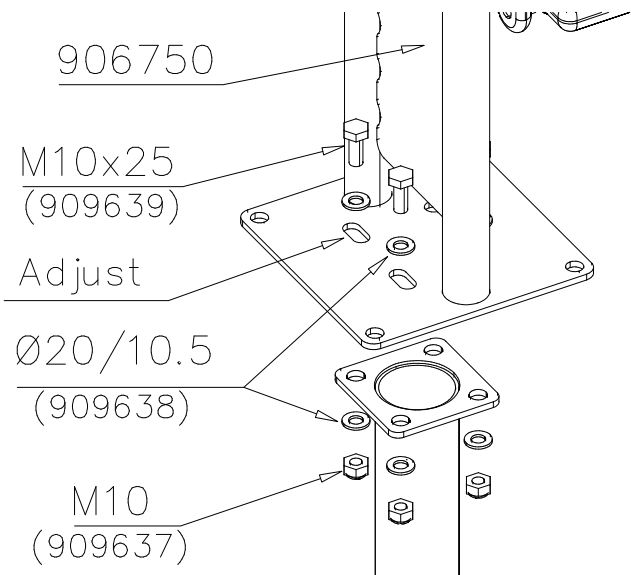


NOTE!
HOX!

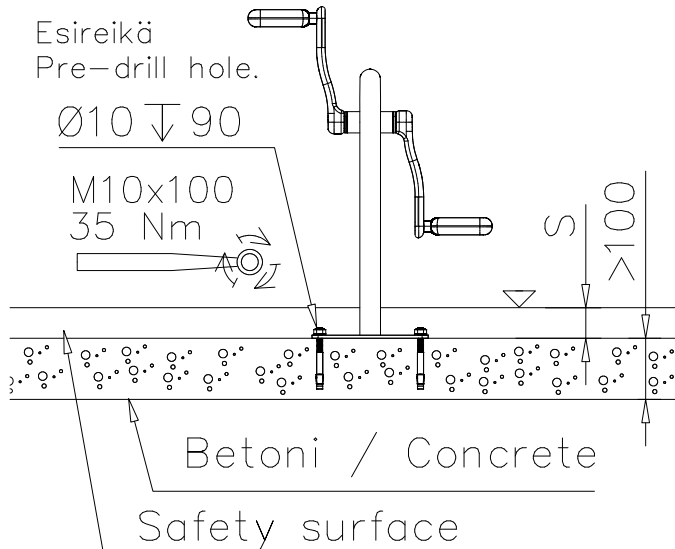
DET 56



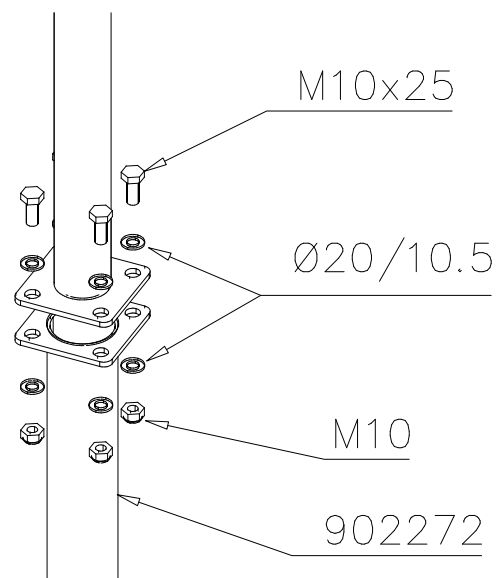
DET 57

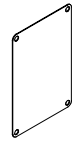



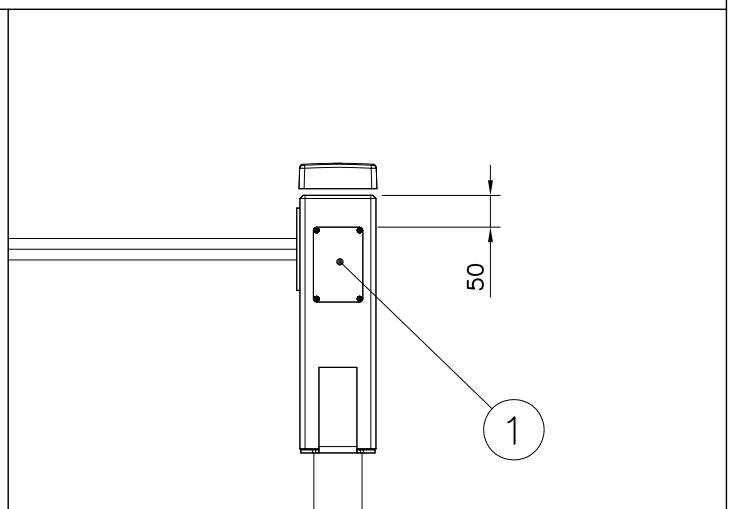
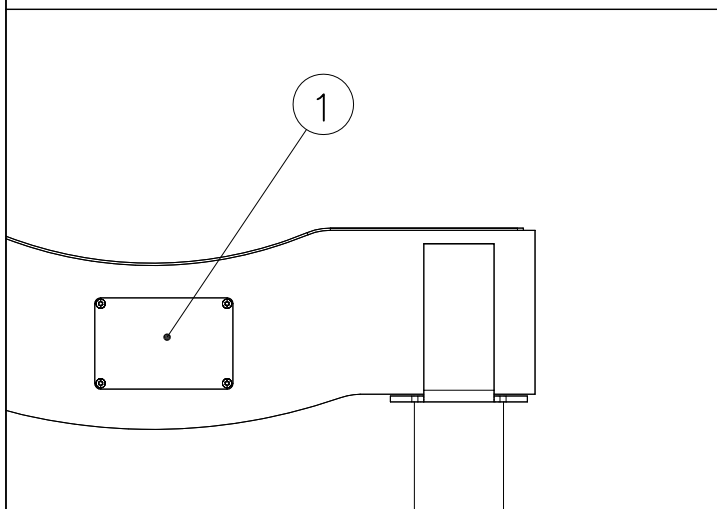
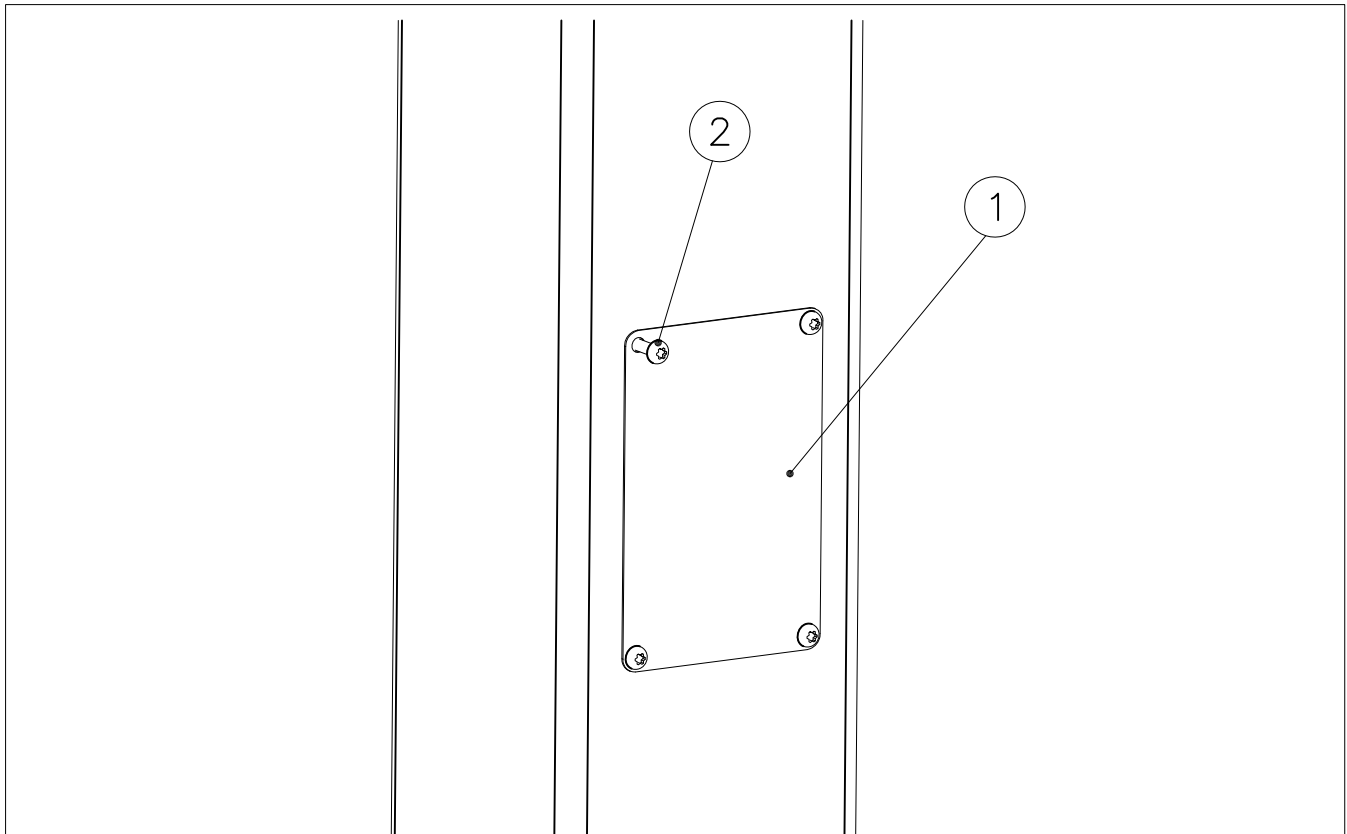
DET 58



DET 59



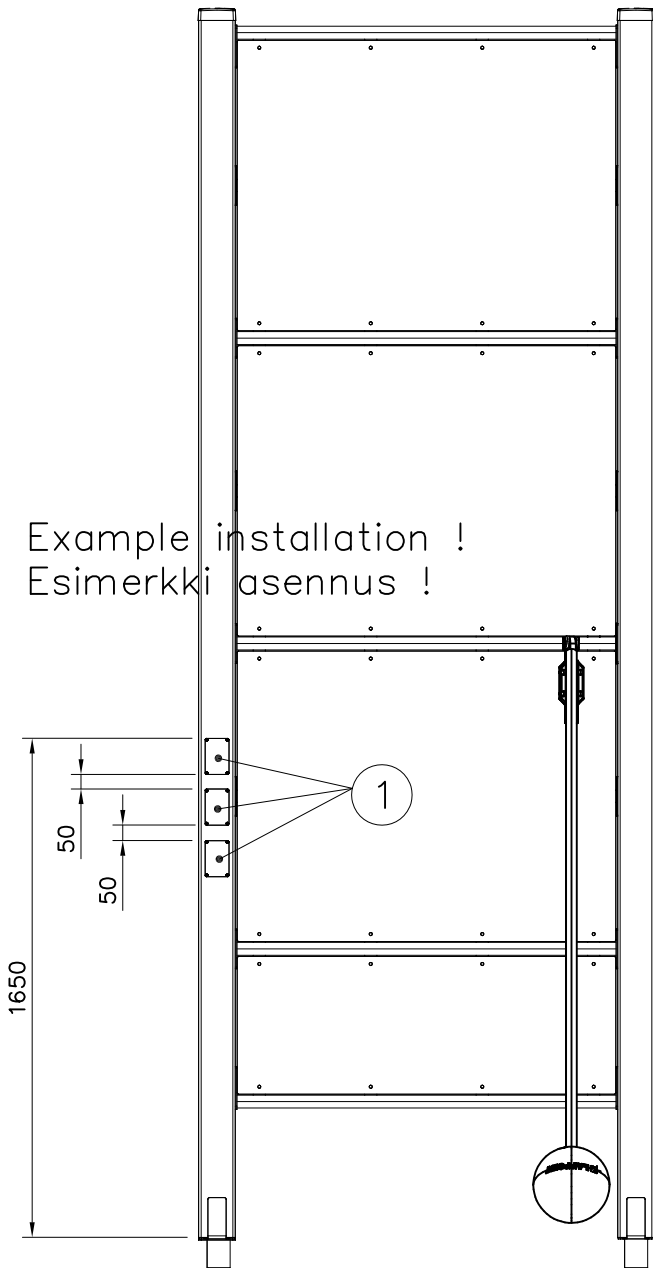
① SHEET METAL	PCS	② 980114	PCS
	1		4
118x78x0.7		Ø4x20	



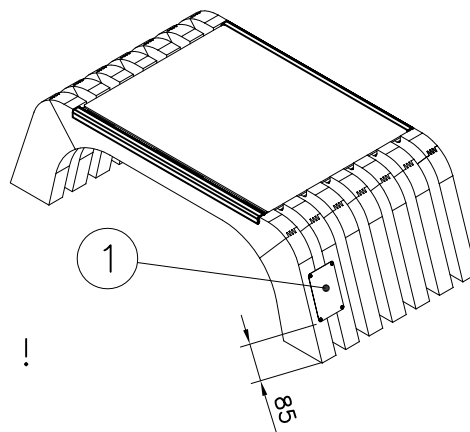
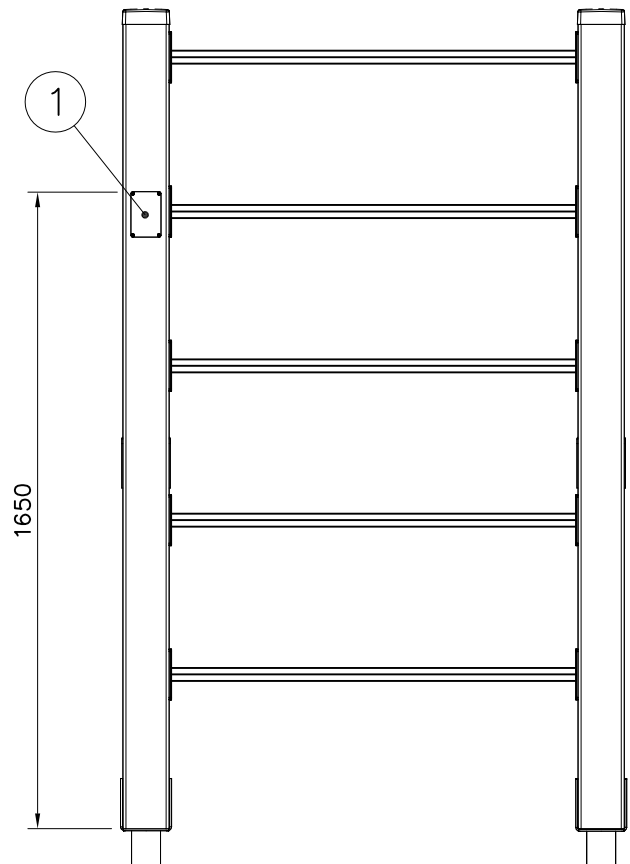
Example installation !
Esimerkki asennus !

Example installation !
Esimerkki asennus !

Example installation !
Esimerkki asennus !



Example installation !
Esimerkki asennus !



Example installation !
Esimerkki asennus !