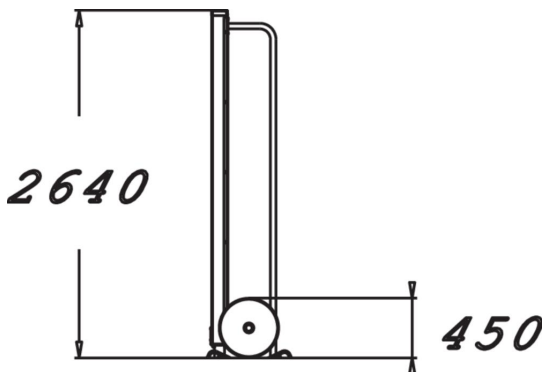
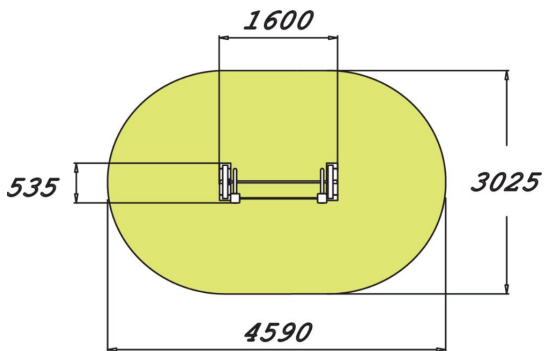




The Barbell L is a 2,640 mm tall, 45-kilogram weight-lifting bar. It is suitable for experienced weight-lifters, who can use it for deadlifts, front squats and shoulder presses, as well as more challenging exercises. The barbell can be used for dozens of exercises for total body fitness.



Product length, mm	1600
Product width, mm	535
Product height, mm	2640
Installation time (for 1), H	4
Foundation options	surface_mounting