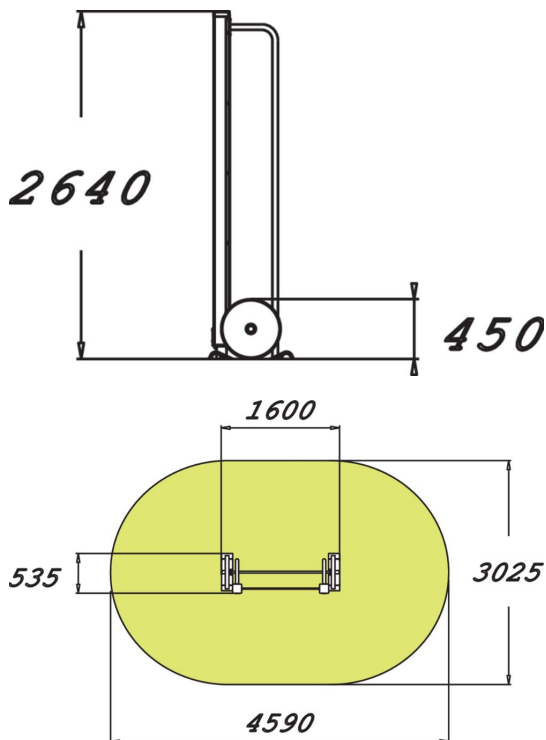




The Barbell S is a 2,640 mm tall, 25-kilogram weight-lifting bar. The bar is suitable for beginner weight-lifters doing basic exercises, such as deadlifts, front squats and shoulder presses. More experienced fitness enthusiasts can use it for more challenging exercises, such as clean lifts. The barbell is also suitable for aerobic exercise consisting of as many repetitions as possible in a short time. The barbell can be used for dozens of exercises for total body fitness.



Product length, mm	1600
Product width, mm	535
Product height, mm	2640
Installation time (for 1), H	4
Foundation options	surface_mounting