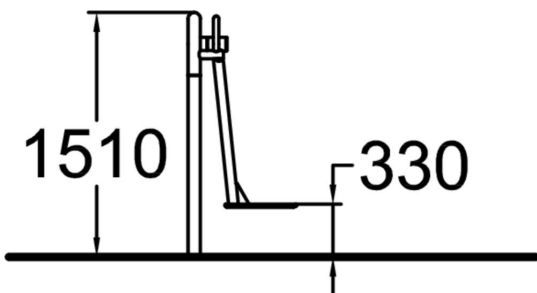
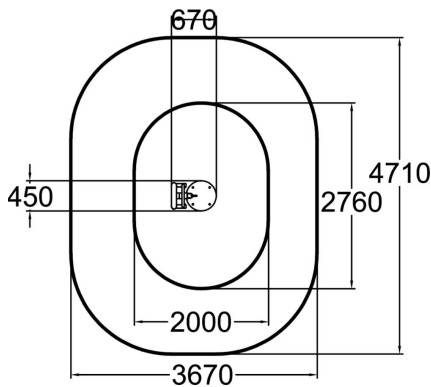


This equipment provides gentle training for the core and leg muscles and our sense of balance. It consists of a swinging round base and a curved bar for holding on to. The total height is 1,460 mm, and the base is at 276 mm. Swinging provides a good alternative to the pumping motion that is common to most gym equipment. Hip can be installed on loose fill material also.



Number of users	1
Product length, mm	830
Product width, mm	500
Product height, mm	1510
Height required, mm	2090
Max. free fall height, mm	590
Safety info	EN 16630 TÜV
Foundation options	surface_mounting