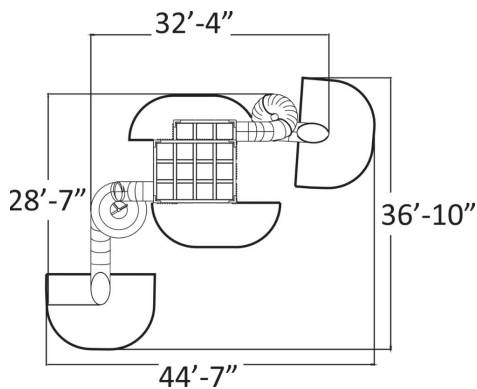





The US239031M product complies with the ASTM Standard. Height is a fundamental element of exciting play. Rising to nearly 26 feet, this tower consists of three elements (a cube and two cuboids on top of each other) and offers users chances for truly testing their limits. How high do you dare to climb? Are you brave enough to walk on the transparent floor? Will you climb down or speed down one of the two tube slides?



| | |
|------------------------------|---|
| Number of users | 42 |
| Product length, mm | 8700 |
| Product width, mm | 9850 |
| Product height, mm | 8090 |
| Height required, mm | 8090 |
| Max. free fall height, mm | 1090 |
| Safety info | ASTM F1487-17 |
| Installation time (for 1), H | 68 |
| Wood |  |