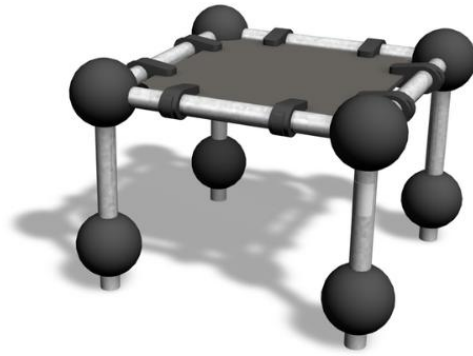
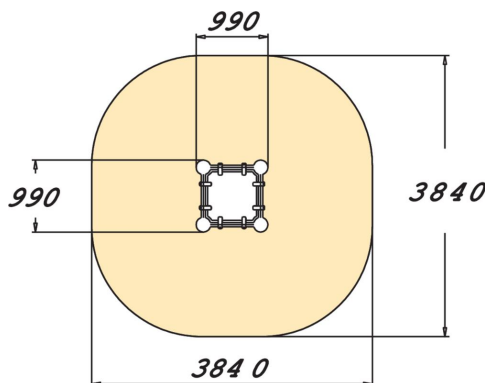
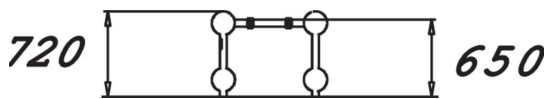


LAUNCH BOX



This device consists of four metal posts holding a square platform. The Launch Box is a great jumping product for younger and more advanced parkour enthusiasts. Even children can use it to practise various vaults and precision jumps. The platform is placed at 650 mm. The Cloxx Parkour products conform to the European Standard for Playground equipment EN 1176, so they are suitable for schoolyards and playgrounds.



User age	6
Number of users	1
Product length, mm	990
Product width, mm	990
Product height, mm	720
Impact area, m ²	12.8
Falling space, m ²	12.8
Height required, mm	2450
Max. free fall height, mm	650
Safety info	EN 1176-1 TÜV
Installation time (for 1), H	5
Foundation options	deep_mounting surface_mounting