

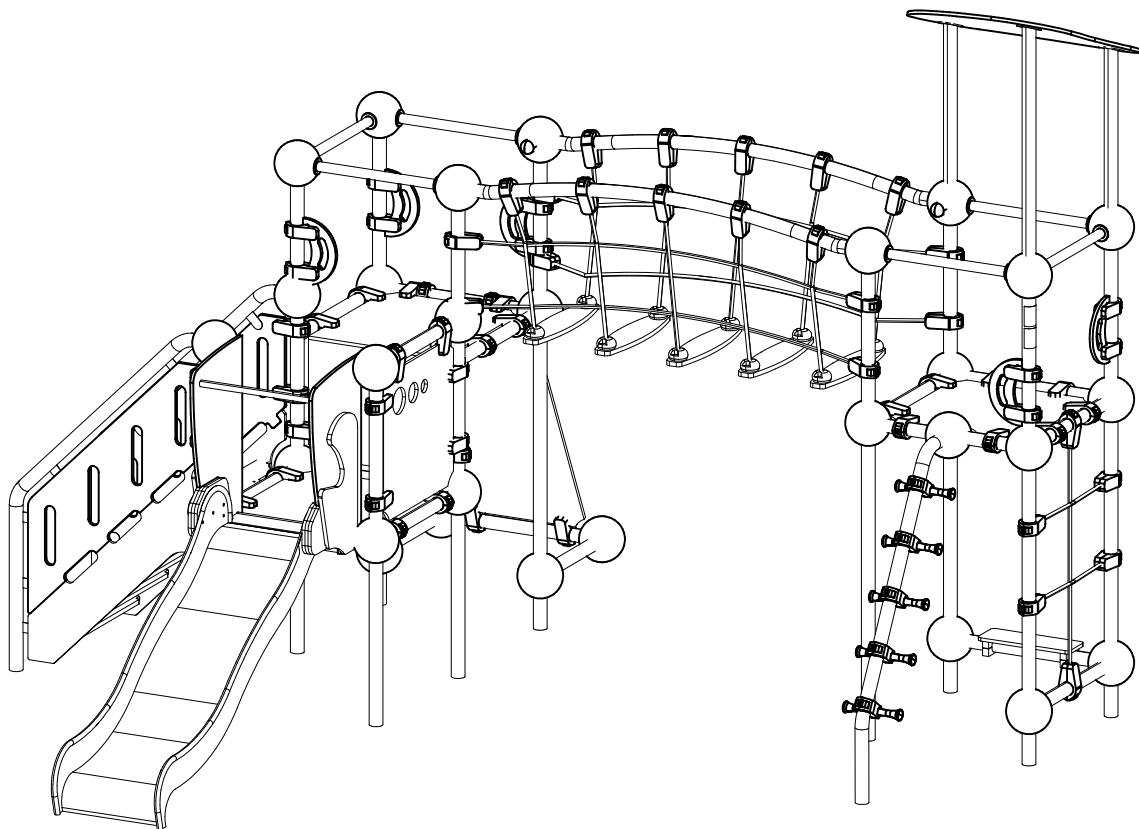
LAPPSET®



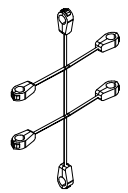

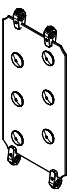

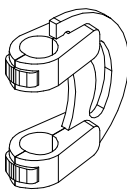

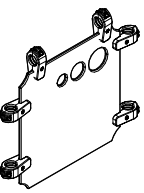

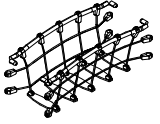

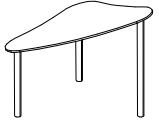

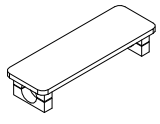

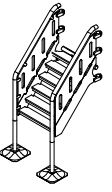

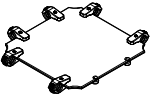

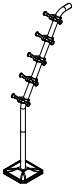

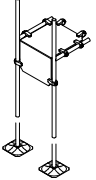

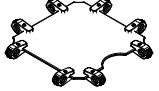

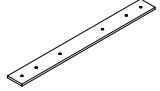
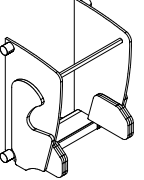

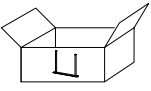
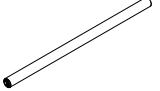
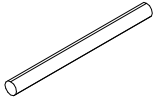
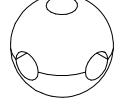

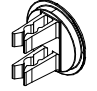
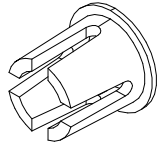
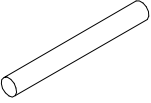



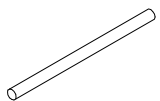
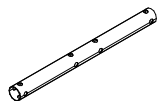
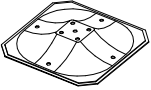
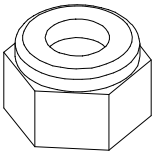
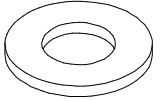
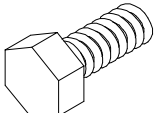
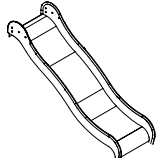
CLOXX

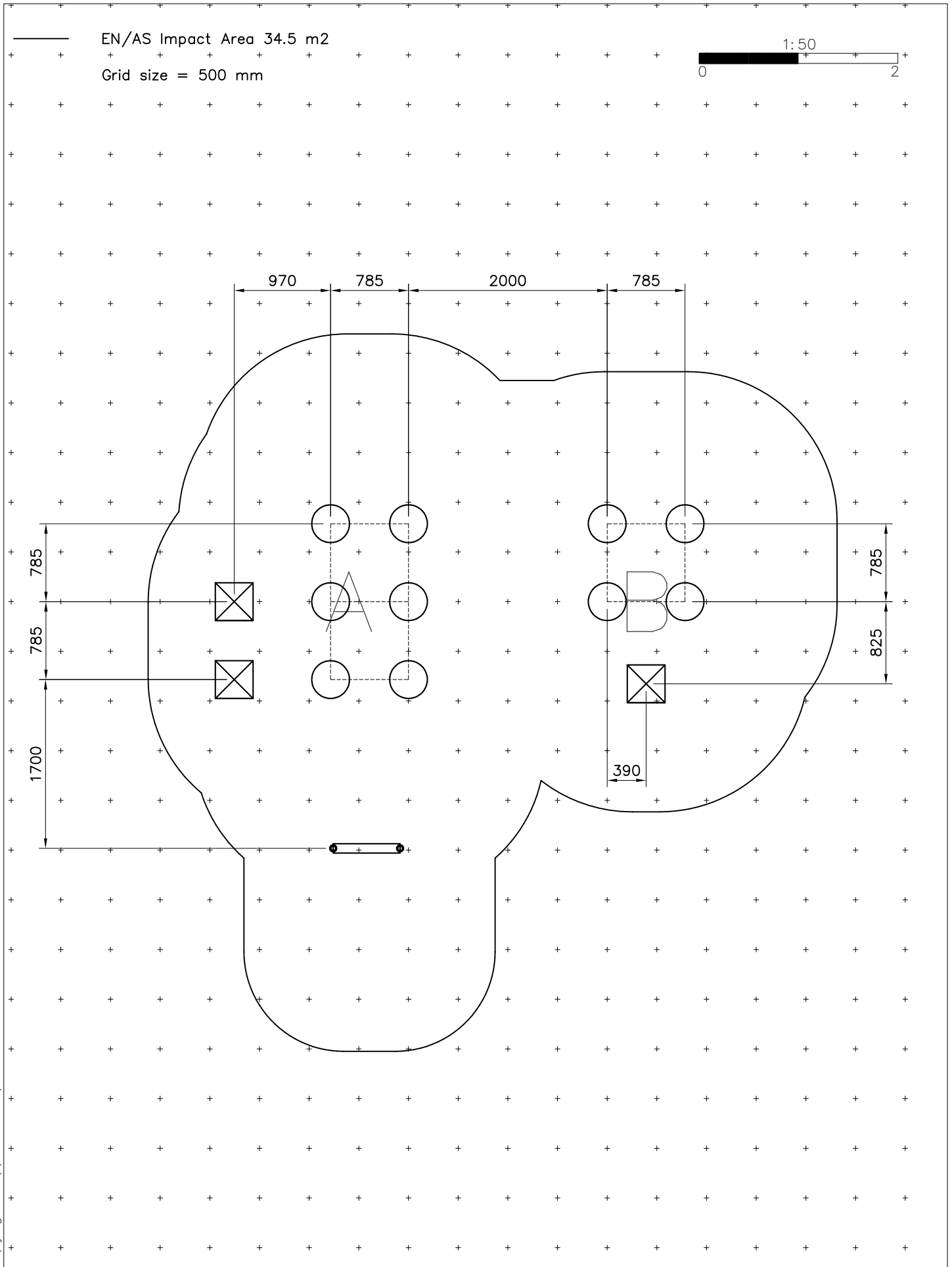
ASENNUSOHJE
MONTERINGSANSVISNING
INSTALLATION INSTRUCTION
AUFBAUANLEITUNG
NOTICE D'INSTALLATION

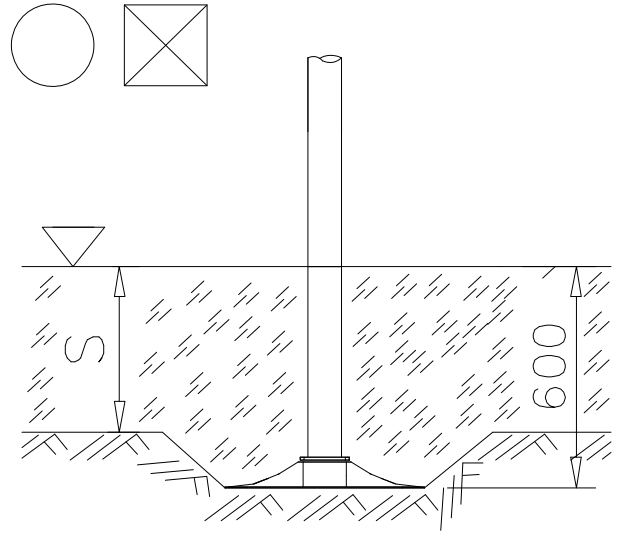
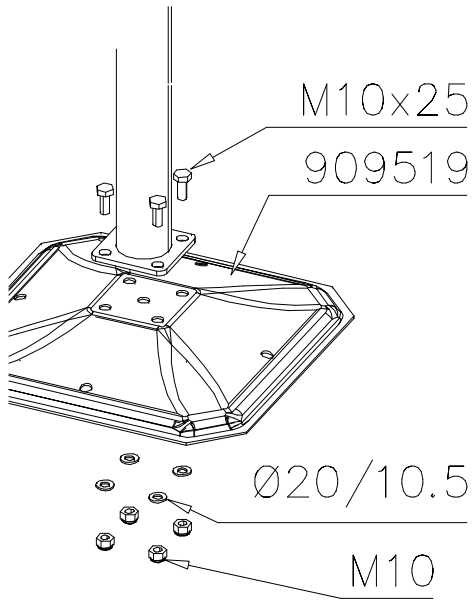
DATE: 24.1.2020

220325

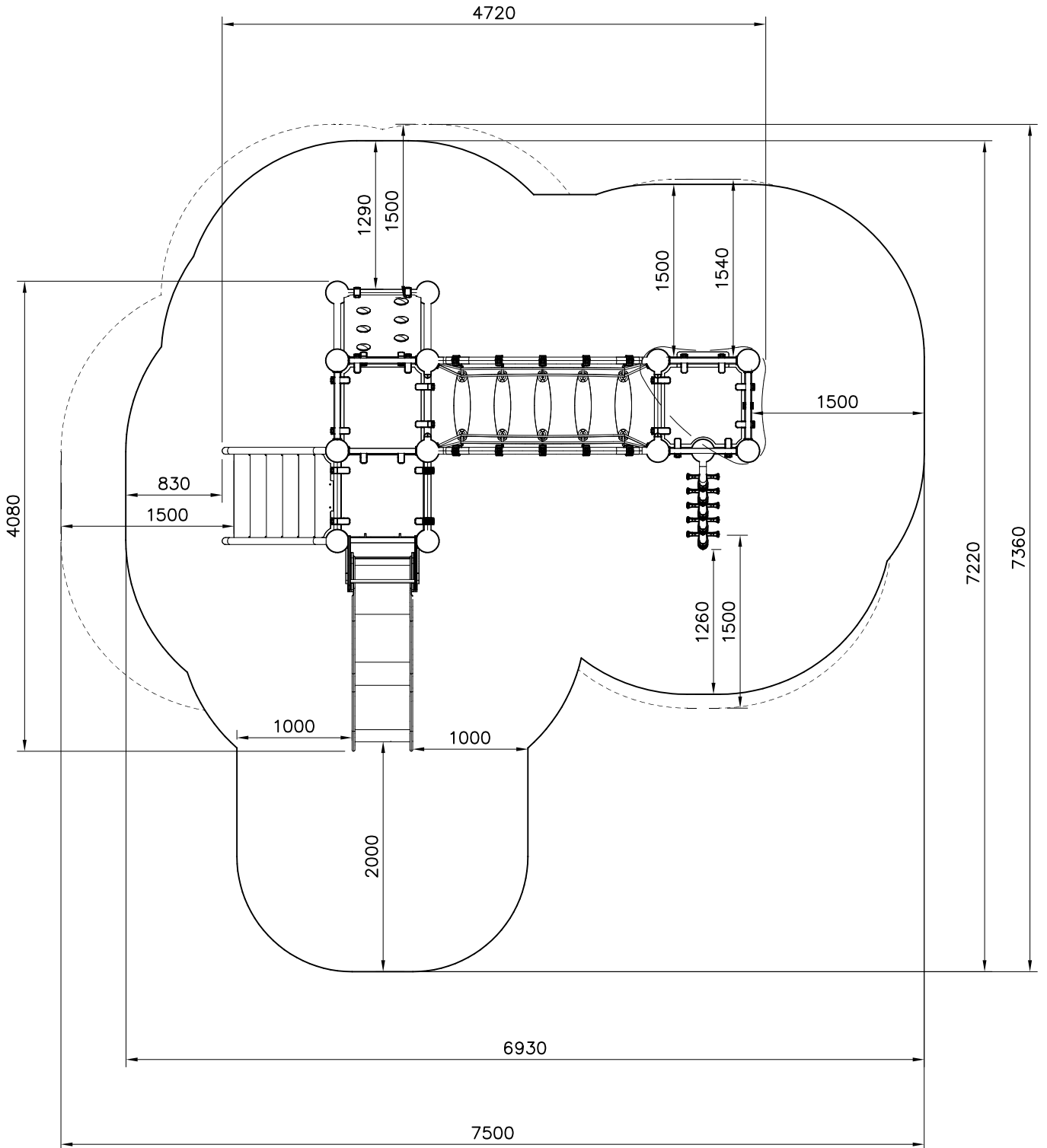
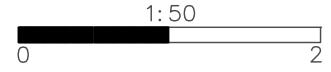


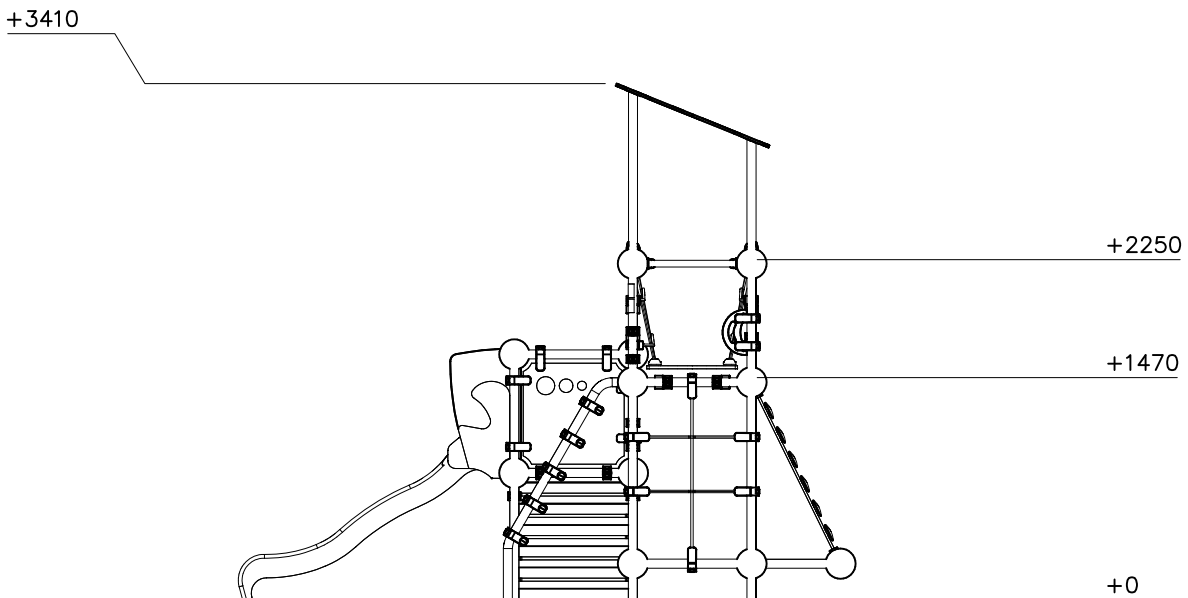
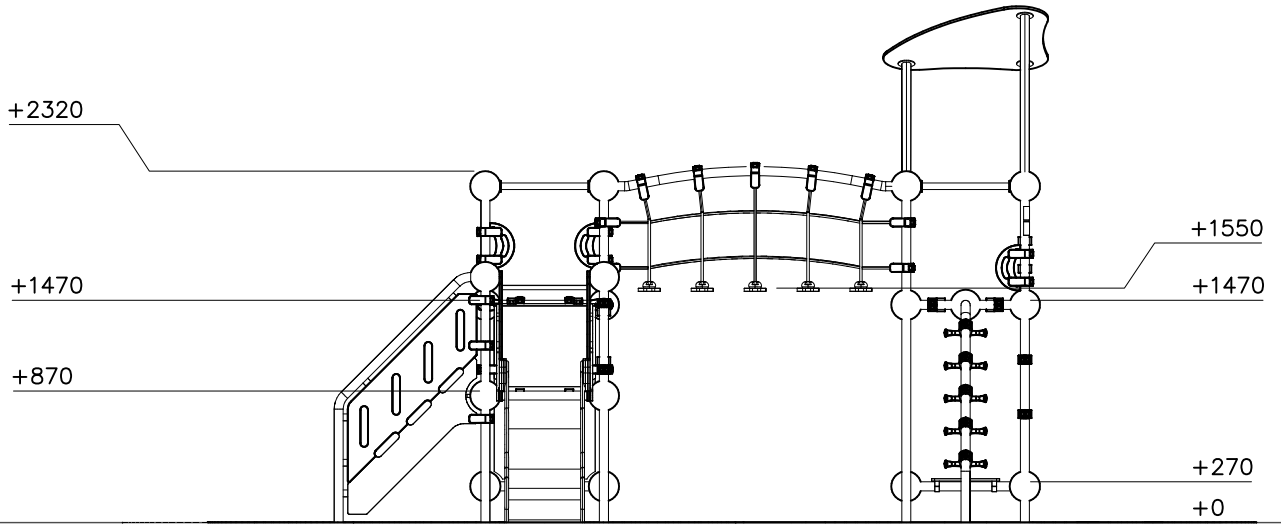
702341  90x50	PCS 1	702633  90x50	PCS 1	703982  	PCS 1	704006  	PCS 1	704159  	PCS 5	704179  	PCS 1
704183  	PCS 1	704199  	PCS 1	704332  	PCS 1	704381  	PCS 1	704432  	PCS 1	704440  	PCS 1
704676  	PCS 1	704678  	PCS 1	707133  10x80x745	PCS 1	708858  	PCS 1	709045 	PCS 1	901868  Ø34x598	PCS 2
902022  L 710	PCS 10	902134  	PCS 30	902157  60x60x2	PCS 74	904100  Ø60/40	PCS 12	904414  L 515	PCS 2	904455  L 2737	PCS 5
904456  L 2737	PCS 1	904505  L 2137	PCS 2	904819  Ø44.5x710	PCS 6	904834  L 710	PCS 1	909519  380x380	PCS 8	909637  M10	PCS 32
909638  Ø20/10.5	PCS 64	909639  M10x25	PCS 32	909708  +870	PCS 1		PCS		PCS		PCS
	PCS		PCS		PCS		PCS		PCS		PCS

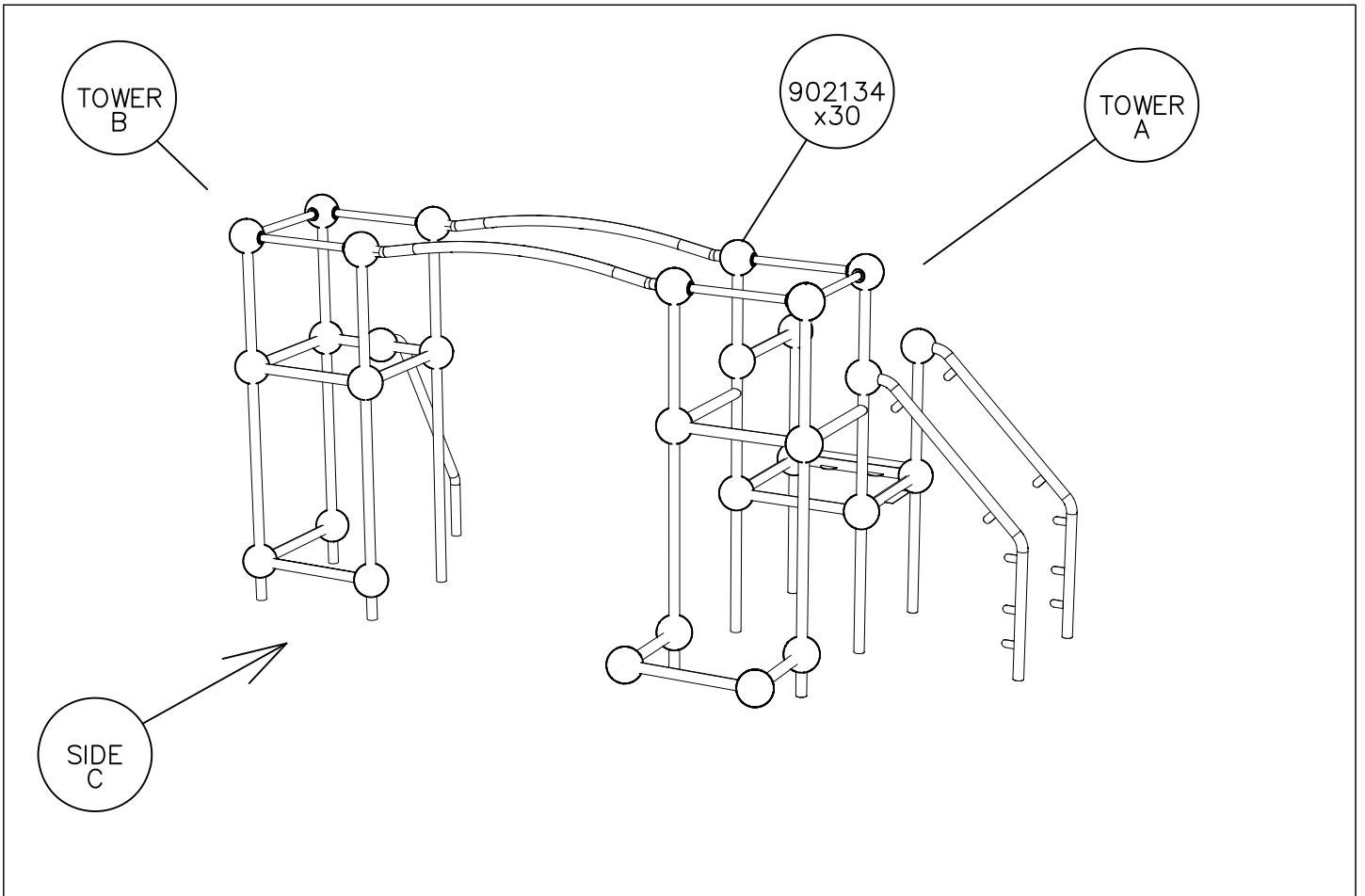
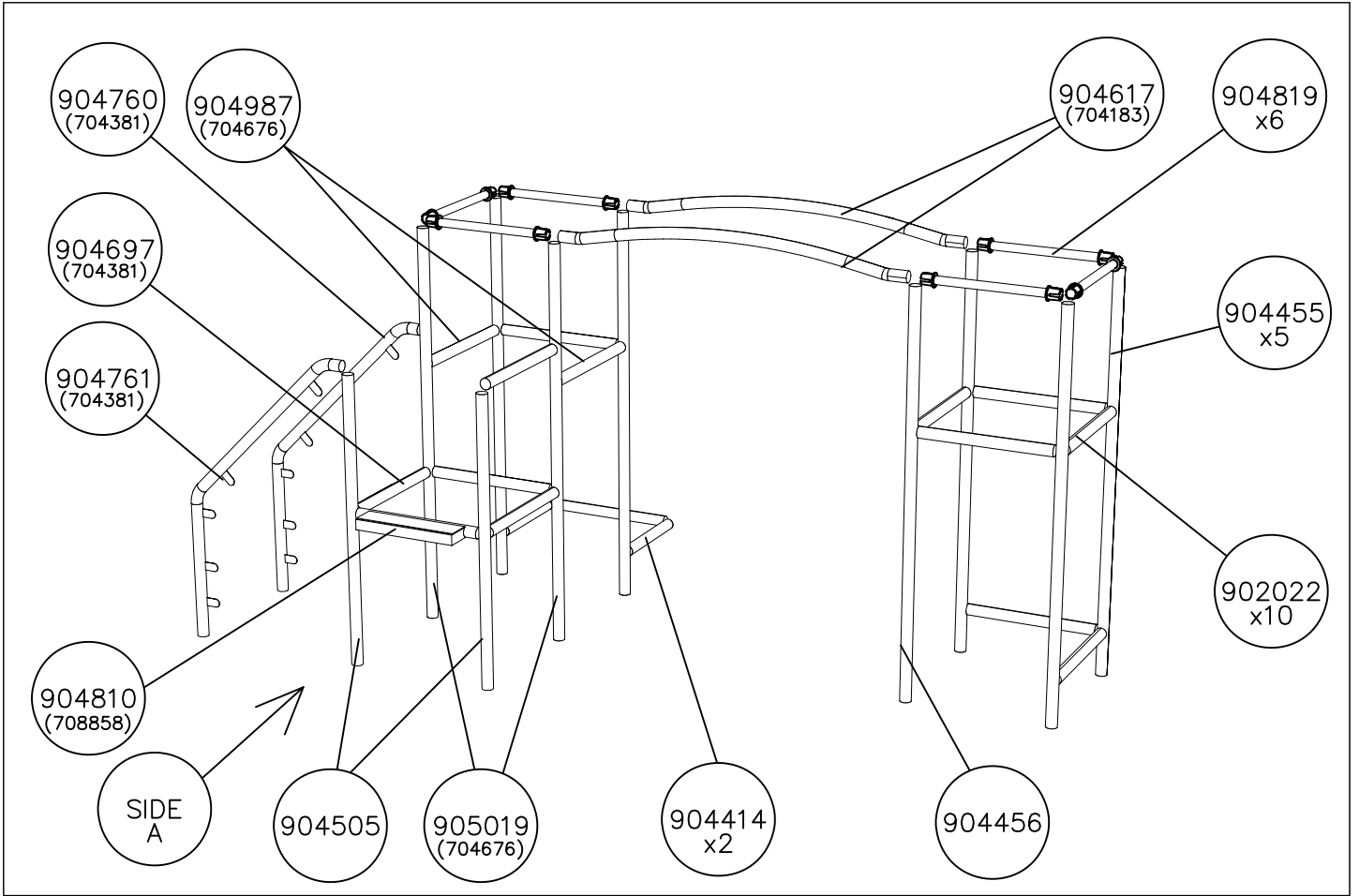


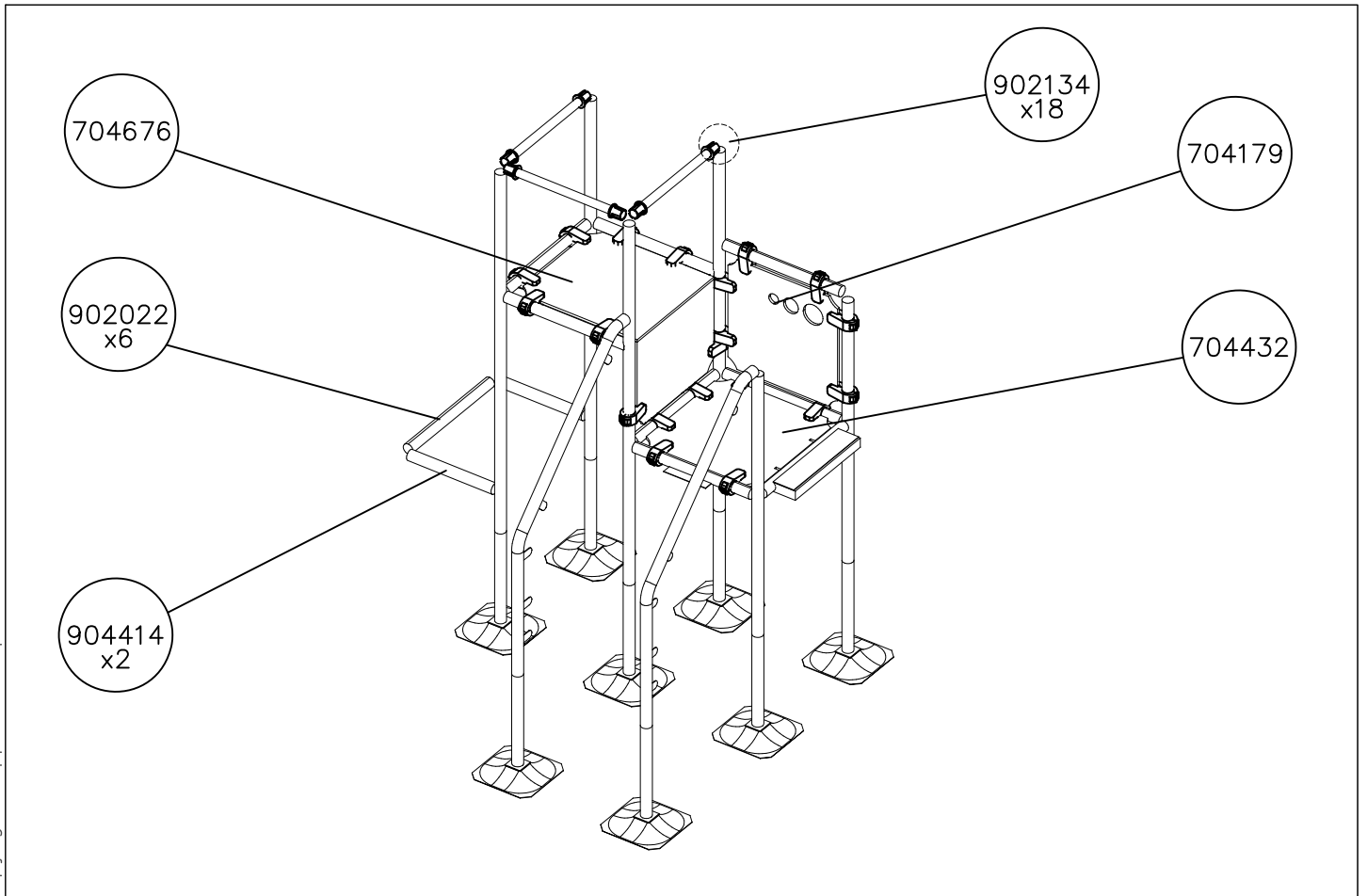
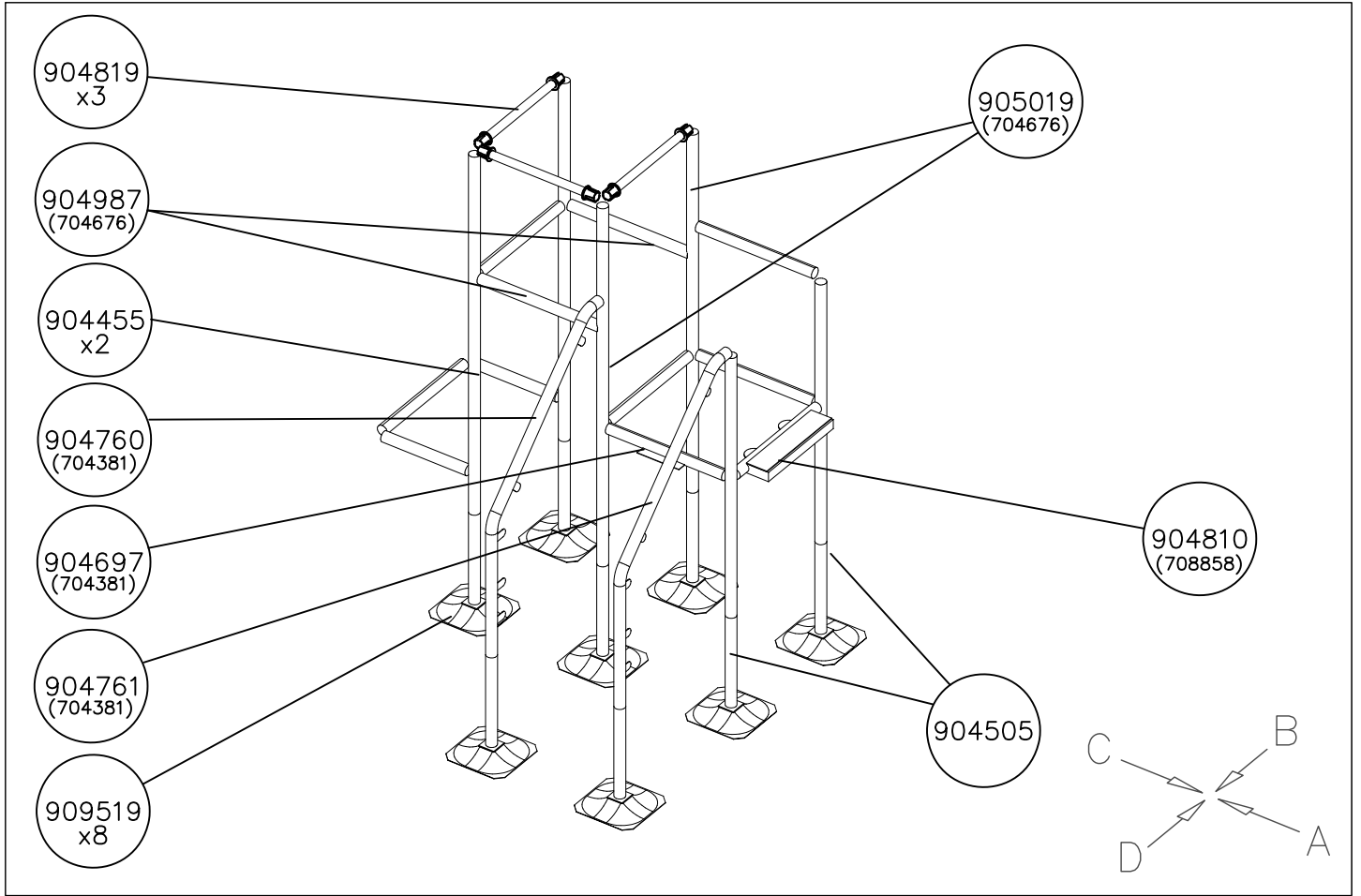


— EN/AS Impact Area 34.5 m²
 - - - Falling Space 37.6 m²
 Max Falling Height 1550 mm



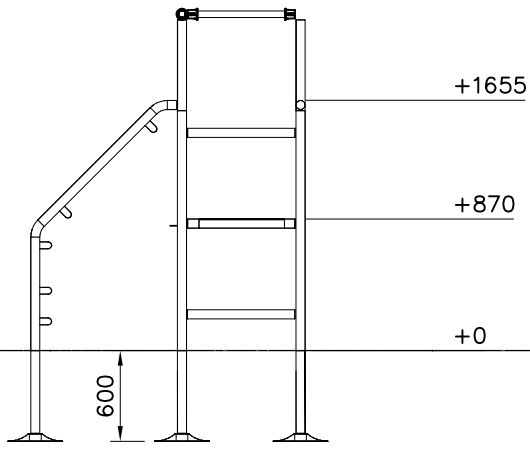




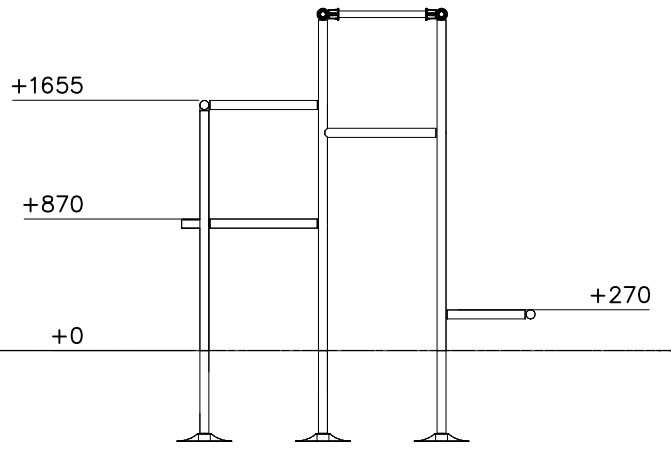


1:50

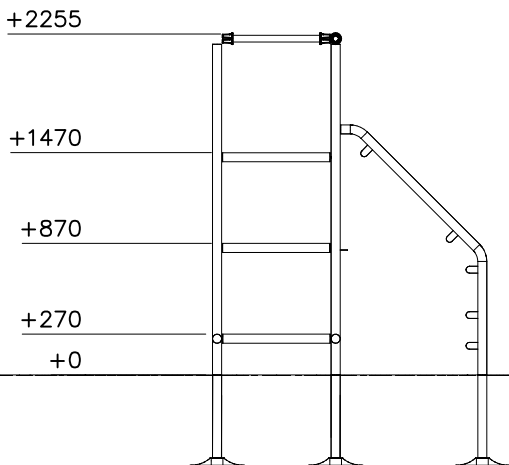
(A)



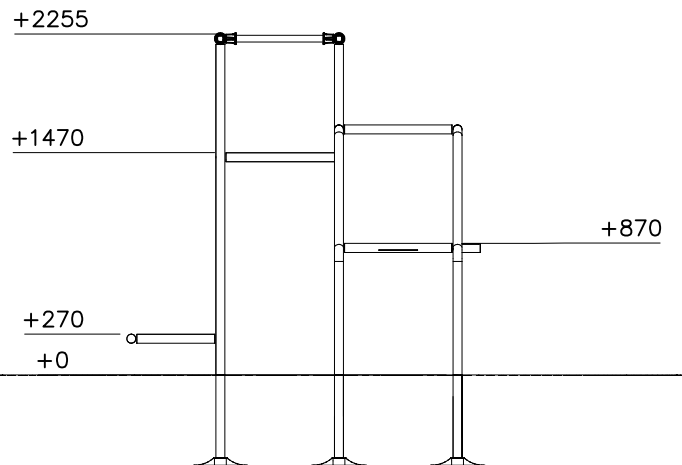
(B)

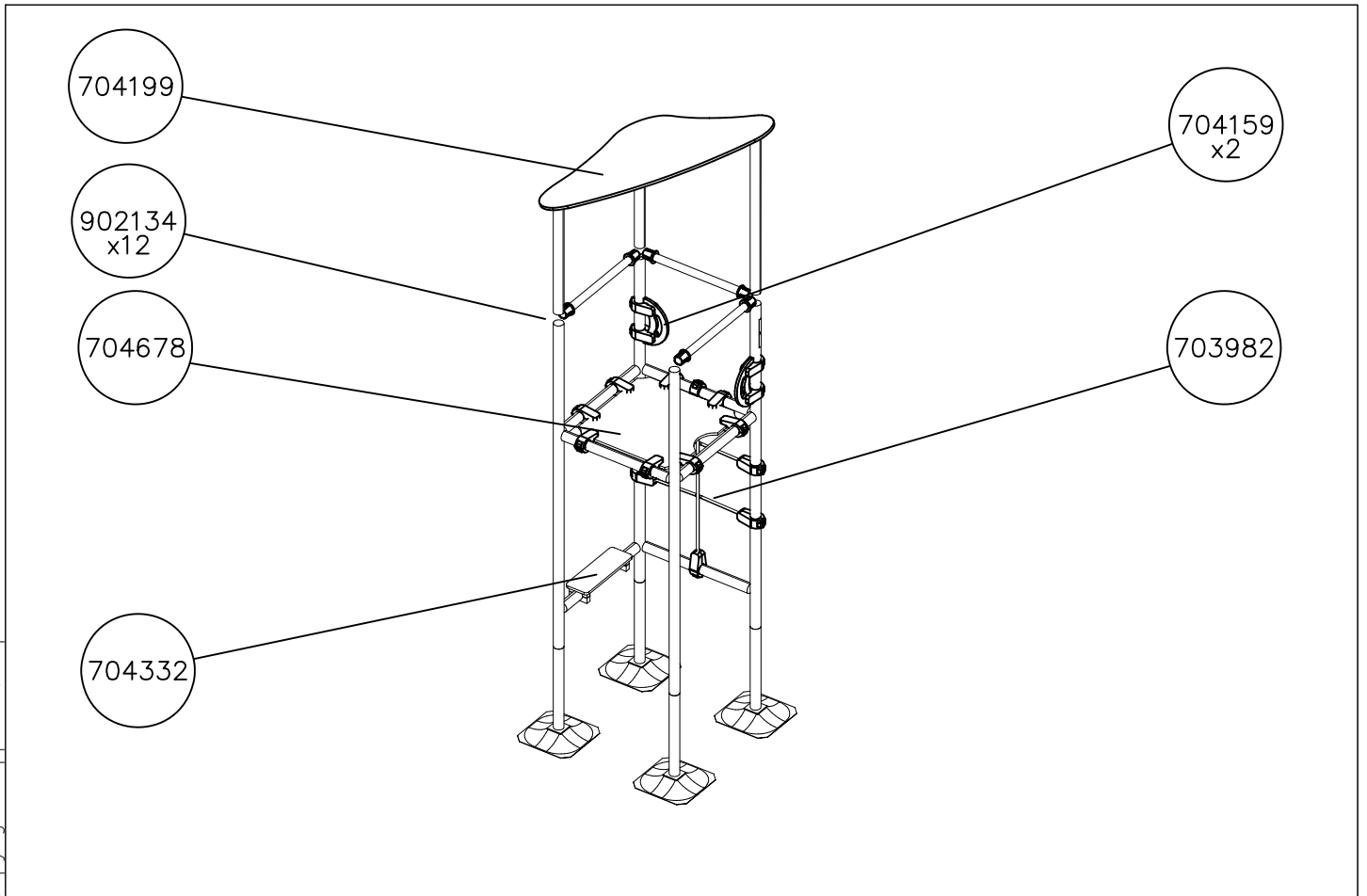
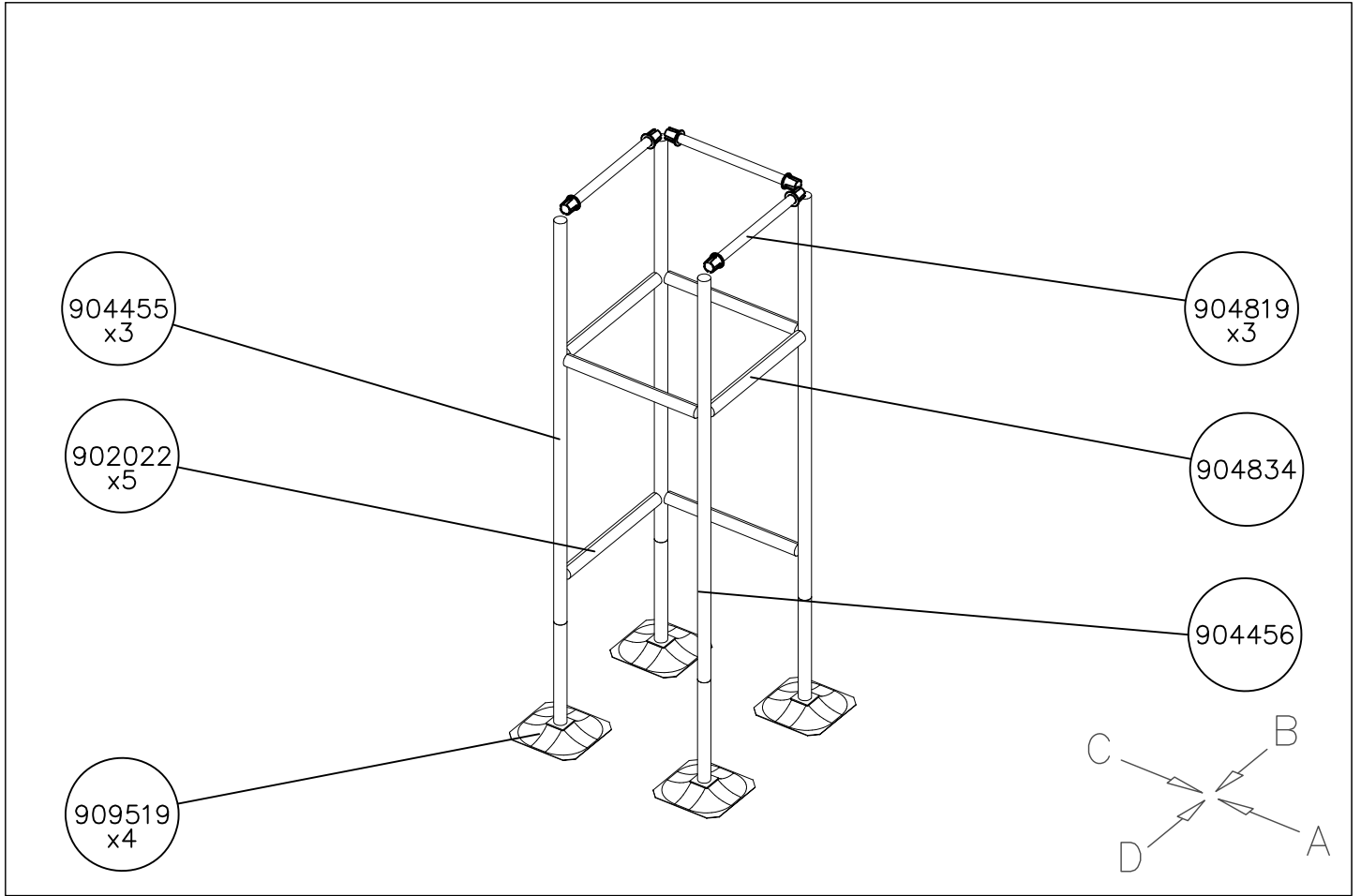


(C)



(D)

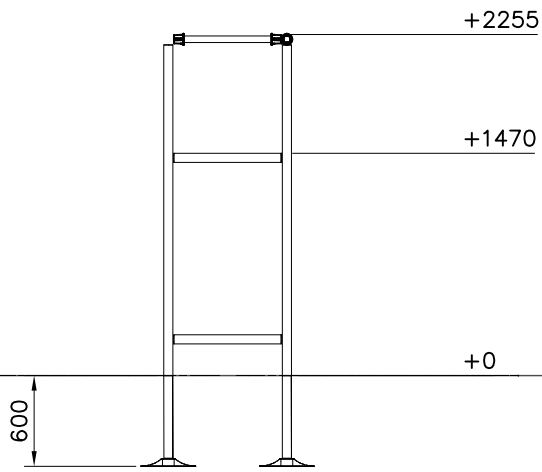




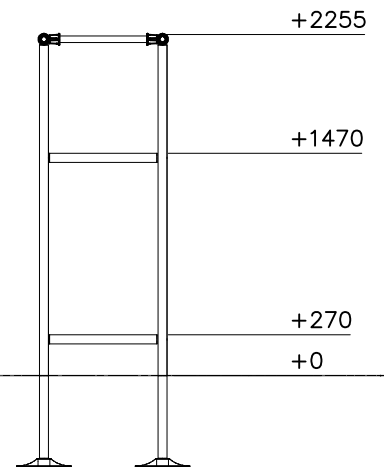
DATE: 24.1.2020

1:50

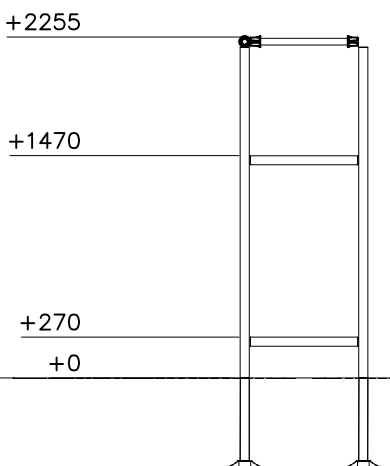
A



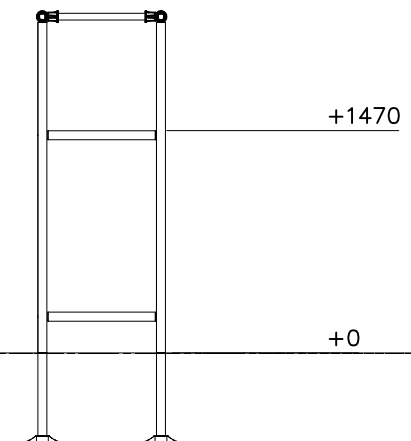
B

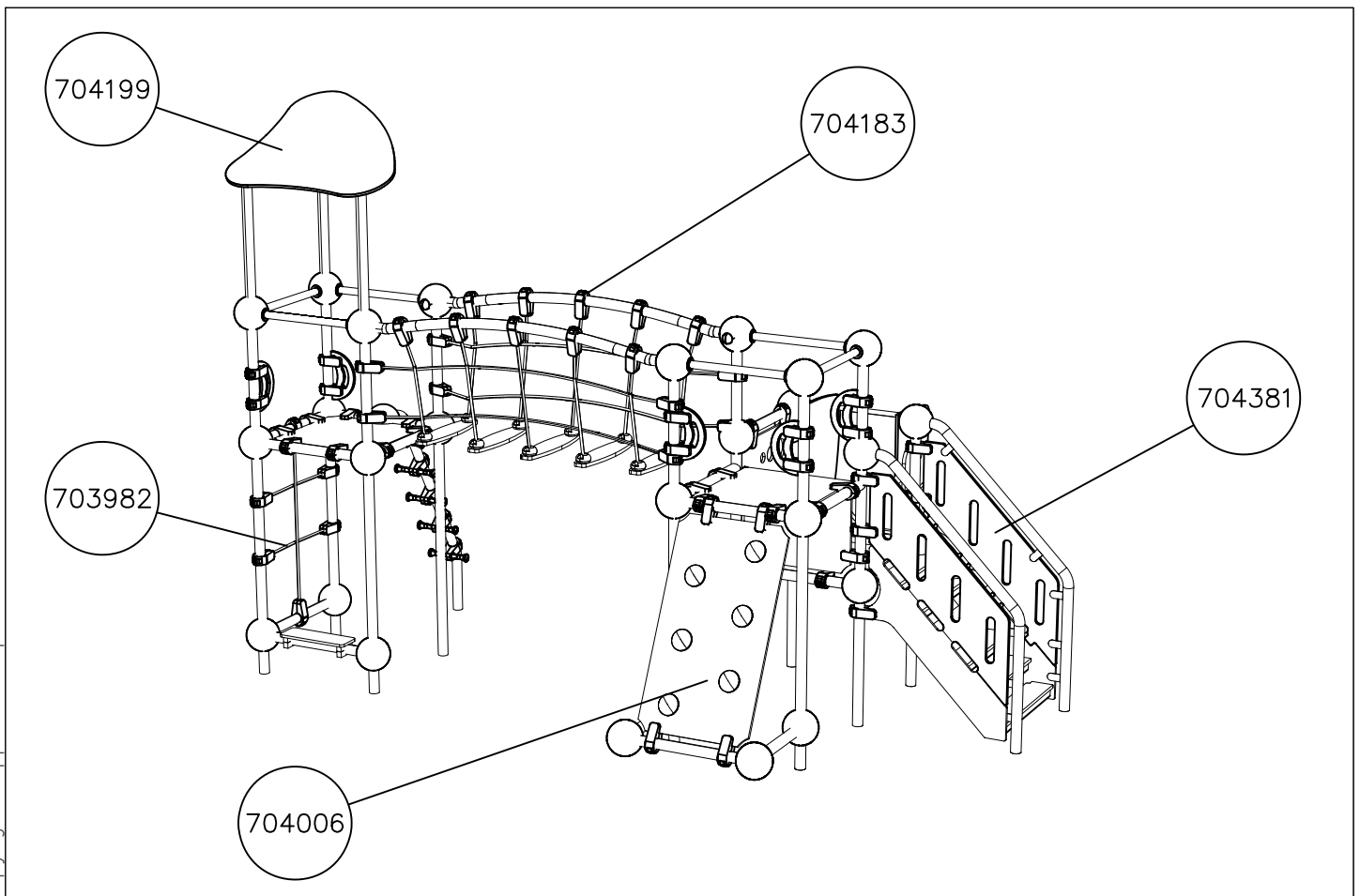
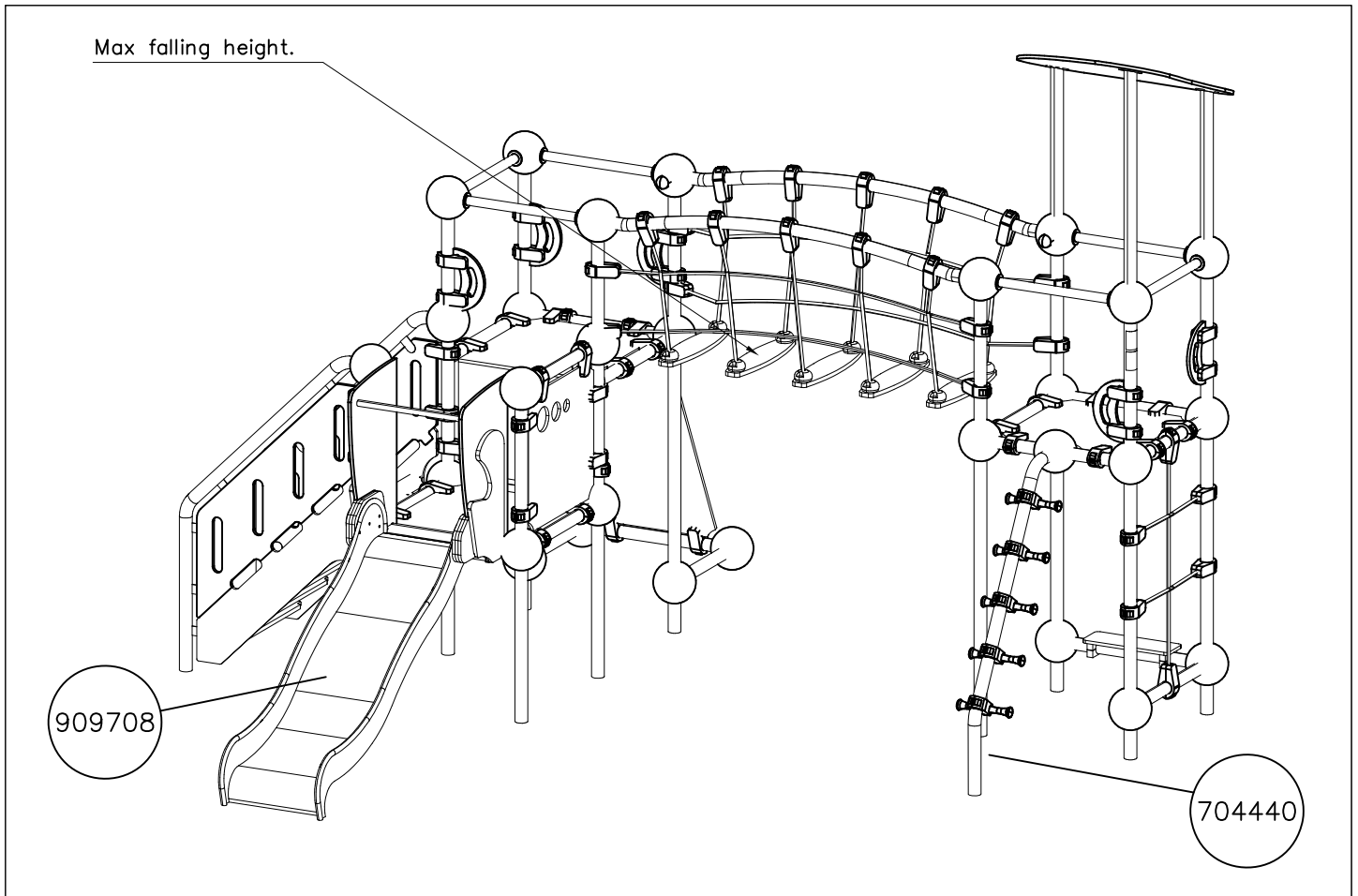


C



D





												
<p>$h < 600$</p> <p>Without movement and therefore without Impact Area</p>	<p>Totally hard surfaces.</p> <p>Note. Lappset does <u>not recommend</u> totally hard surfaces at all.</p>	<p>E.g. concrete or asphalt</p> 										
<p>$h < 600$</p> <p>With movement e.g. rocking</p>	<p>Materials with very limited impact attenuating properties.</p>	<p>E.g. wood</p> 										
<p>$h < 1000$</p>	<p>Materials with significant impact attenuating properties.</p>	<p>fine gravel 0–8 mm</p>  <p>grass</p>  <p>unsorted sand</p> 										
<p>$h < 3000$</p>	<p>Loose fill material</p> <p>E.g. sand/gravel 0,25...8 mm D60/D10<3,0 Woodchips 5...30 mm bark 20...80 mm</p>	 <table data-bbox="1021 1691 1332 1792"> <tr> <td>\underline{S}</td> <td>\underline{h}</td> </tr> <tr> <td>30 cm</td> <td>< 2,0 m</td> </tr> <tr> <td>40 cm</td> <td>< 3,0 m</td> </tr> </table>	\underline{S}	\underline{h}	30 cm	< 2,0 m	40 cm	< 3,0 m				
\underline{S}	\underline{h}											
30 cm	< 2,0 m											
40 cm	< 3,0 m											
	<p>Syntethic granulates</p> <table data-bbox="406 1892 758 2060"> <tr> <td>\underline{S}</td> <td>\underline{h}</td> </tr> <tr> <td>40 mm</td> <td>~> 1,2...1,3 m</td> </tr> <tr> <td>50 mm</td> <td>~> 1,5...1,7 m</td> </tr> <tr> <td>60 mm</td> <td>~> 1,8...2,0 m</td> </tr> <tr> <td>70 mm</td> <td>~> 2,1...2,5 m</td> </tr> </table> <p>Note. For accurate values, see manufacturer's instructions.</p>	\underline{S}	\underline{h}	40 mm	~> 1,2...1,3 m	50 mm	~> 1,5...1,7 m	60 mm	~> 1,8...2,0 m	70 mm	~> 2,1...2,5 m	
\underline{S}	\underline{h}											
40 mm	~> 1,2...1,3 m											
50 mm	~> 1,5...1,7 m											
60 mm	~> 1,8...2,0 m											
70 mm	~> 2,1...2,5 m											

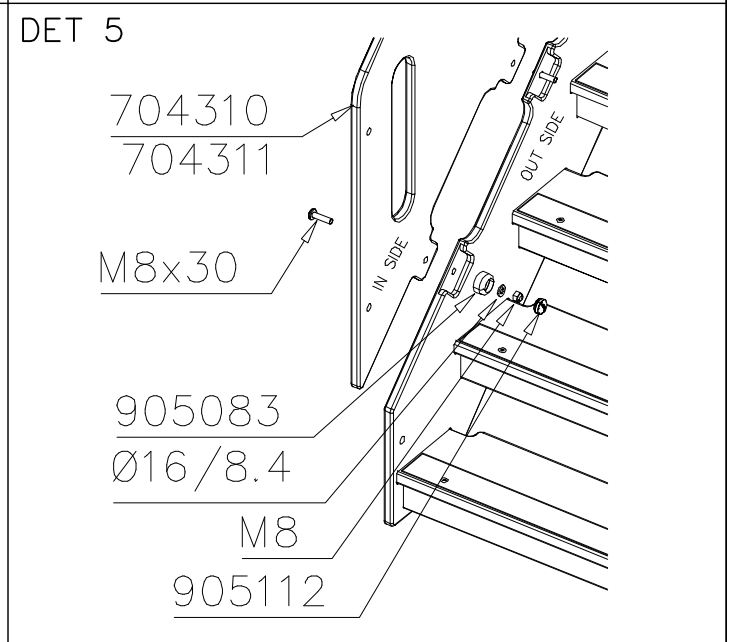
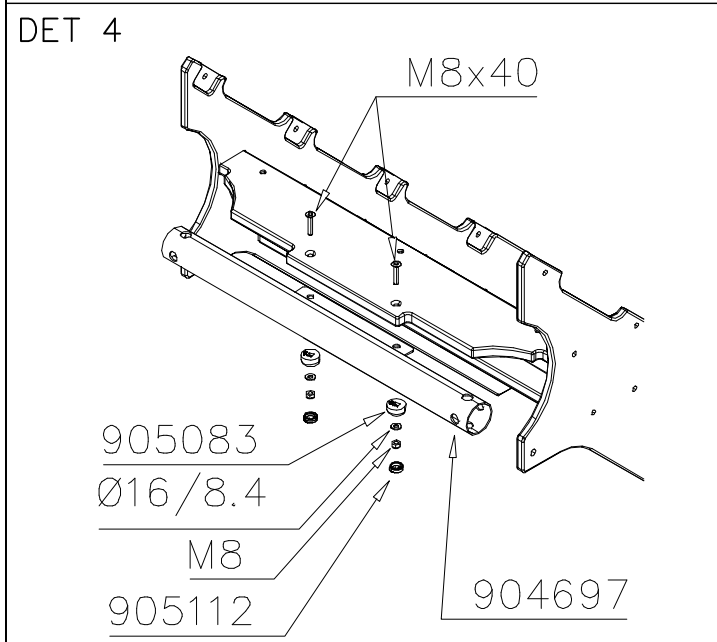
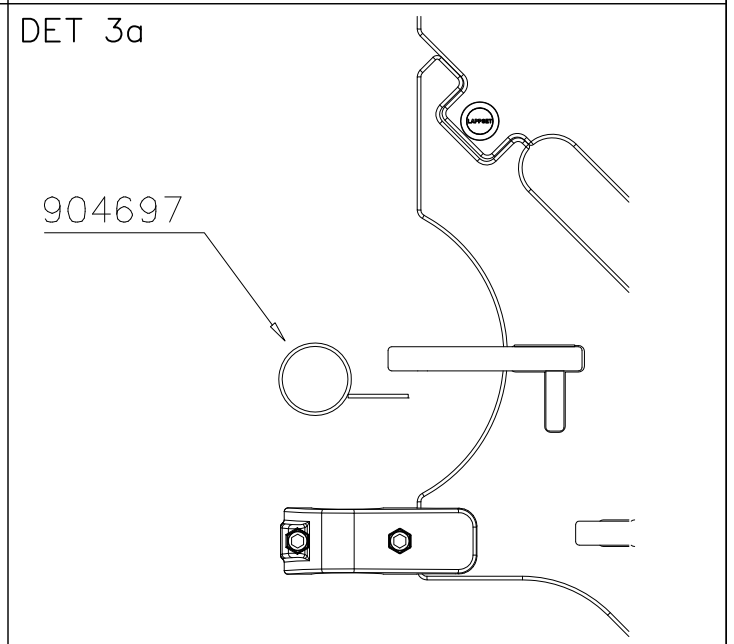
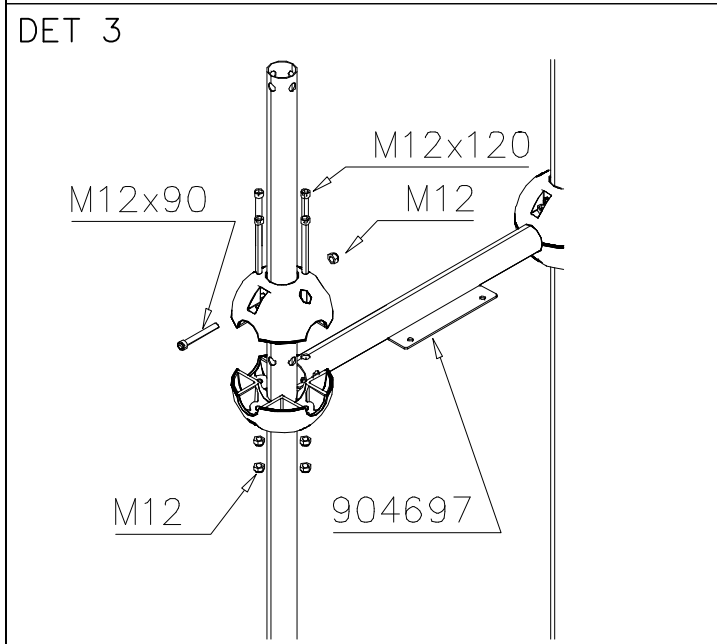
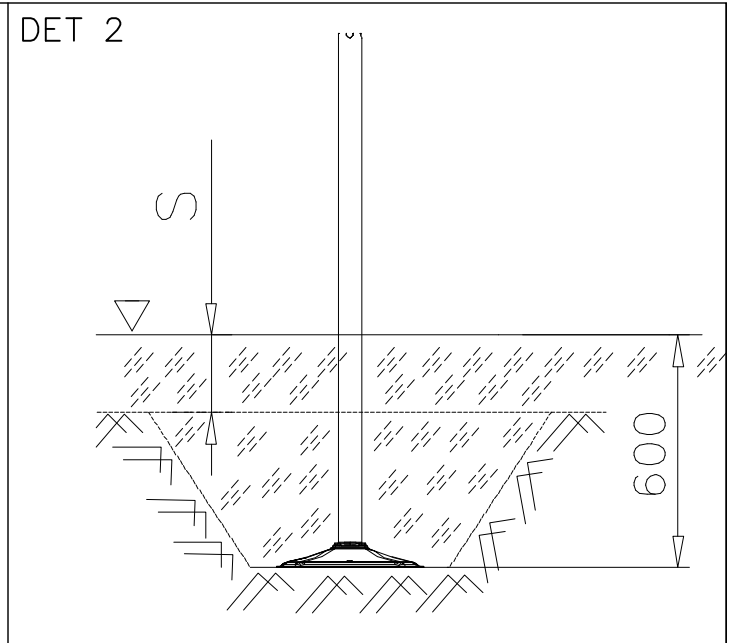
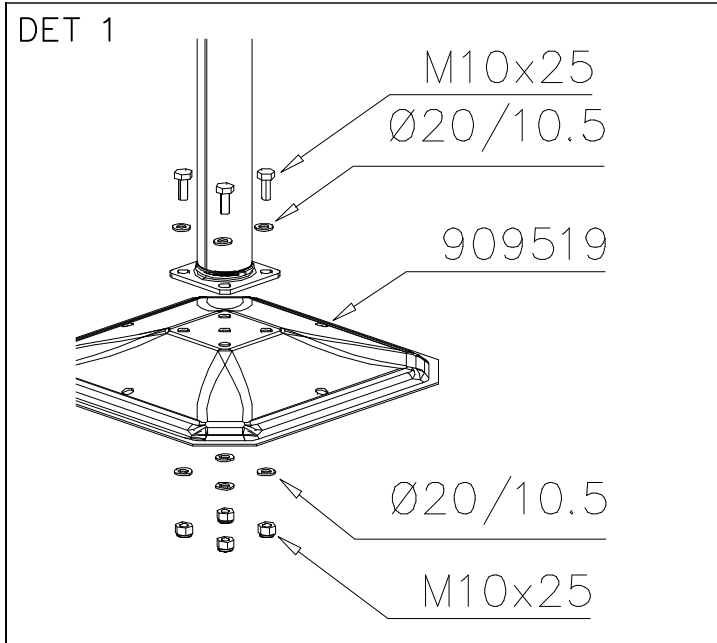
REMOVE SAFETY SURFACE/SAND/GRAVEL
TO CHECK FOUNDATION



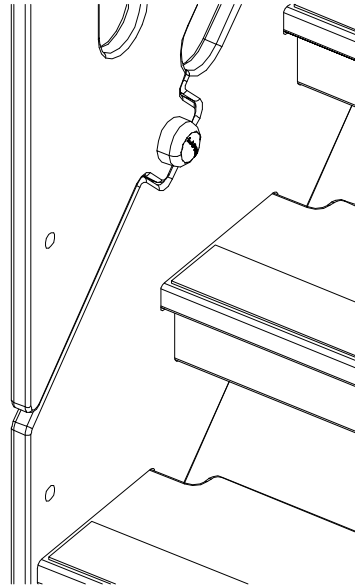
REMOVE SAFETY SURFACE/SAND/GRAVEL
TO CHECK FOUNDATION



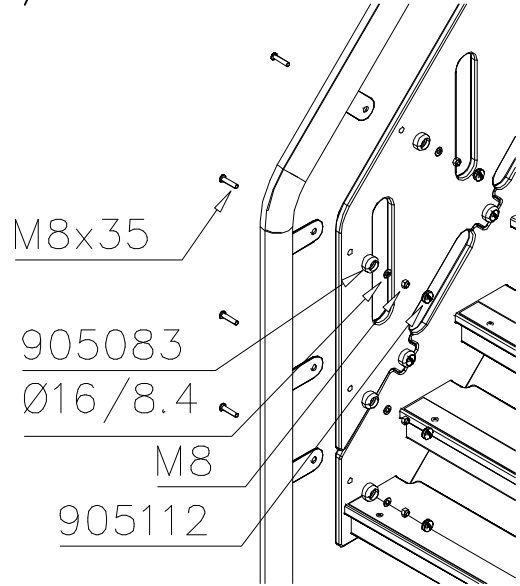
				<p>① 704309 PCS 1</p>	<p>② 704310 PCS 1</p> <p>LEFT</p>
				<p>③ 704311 PCS 1</p> <p>RIGHT</p>	<p>④ 902124 PCS 12</p> <p>150x50x50</p>
				<p>⑤ 902232 PCS 6</p> <p>M10x55</p>	<p>⑥ 902233 PCS 6</p> <p>M10x30</p>
				<p>⑦ 904068 PCS 2</p> <p>M8x40</p>	<p>⑧ 904697 PCS 1</p> <p>Ø60.3x2.9x710</p>
				<p>⑨ 904760 PCS 1</p> <p>LEFT</p>	<p>⑩ 904761 PCS 1</p> <p>RIGHT</p>
				<p>⑪ 905083 PCS 20</p> <p>Ø32</p>	<p>⑫ 905112 PCS 20</p> <p>Ø22</p>
				<p>⑬ 909256 PCS 20</p> <p>Ø16/8.4x1.6</p>	<p>⑭ 909519 PCS 2</p> <p>50x380x380</p>
				<p>⑮ 909637 PCS 8</p> <p>M10</p>	<p>⑯ 909638 PCS 16</p> <p>Ø20/10.5</p>
				<p>⑰ 909639 PCS 8</p> <p>M10x25</p>	<p>⑱ 909852 PCS 8</p> <p>M8x30</p>
				<p>⑲ 909855 PCS 10</p> <p>M8x35</p>	<p>⑳ 980160 PCS 20</p> <p>M8</p>
				<p>㉑ 980161 PCS 12</p> <p>M10</p>	



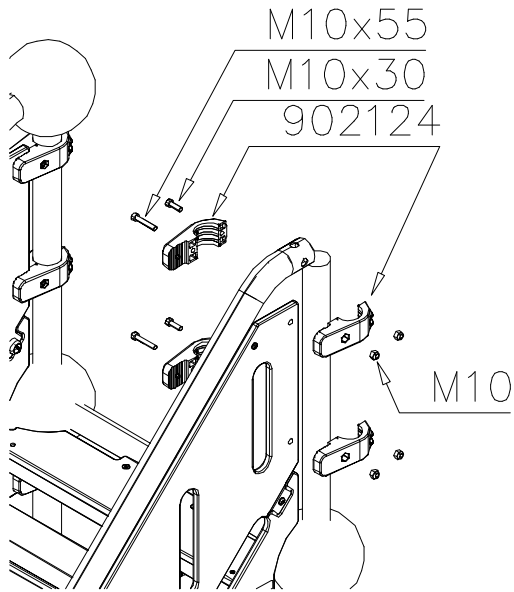
DET 6



DET 7



DET 8

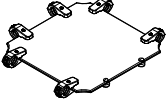
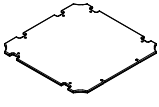
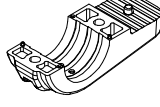
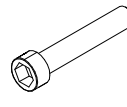
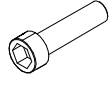
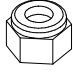
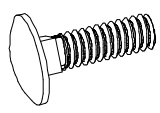
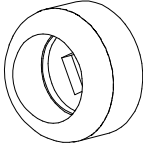

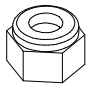
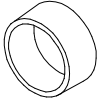
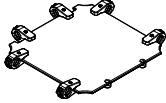
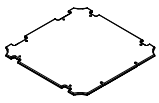
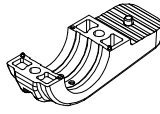
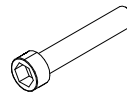
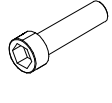
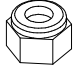
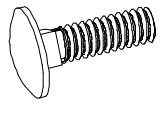
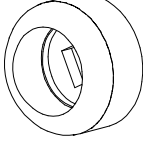

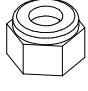
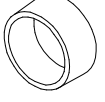
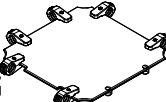
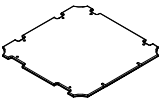
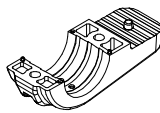
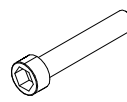
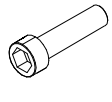
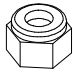
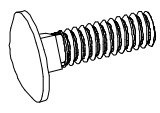
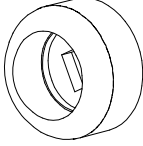

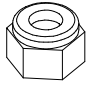
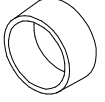


LAPPSET® FLOOR (SLIDE)

CLOXX

DATE: 3.10.2013

1(3)

○ 704432 	○ 704038 	PCS 1	○ 902124  150x50x50	PCS 12	○ 902232  M10x55	PCS 6	○ 902233  M10x30	PCS 6	○ 980161  M10	PCS 12		PCS
		PCS	○ 909109  M12x40	PCS 2	○ 905090  Ø45	PCS 2	○ 980154  Ø24/13	PCS 2	○ 909248  M12	PCS 2	○ 905115  Ø32	PCS 2
		PCS		PCS		PCS		PCS		PCS		PCS
○ 704447 	○ 704446 	PCS 1	○ 902124  150x50x50	PCS 12	○ 902232  M10x55	PCS 6	○ 902233  M10x30	PCS 6	○ 980161  M10	PCS 12		PCS
		PCS	○ 909109  M12x40	PCS 2	○ 905090  Ø45	PCS 2	○ 980154  Ø24/13	PCS 2	○ 909248  M12	PCS 2	○ 905115  Ø32	PCS 2
		PCS		PCS		PCS		PCS		PCS		PCS
○ 704666 	○ 704667 	PCS 1	○ 902124  150x50x50	PCS 12	○ 902232  M10x55	PCS 6	○ 902233  M10x30	PCS 6	○ 980161  M10	PCS 12		PCS
		PCS	○ 909109  M12x40	PCS 2	○ 905090  Ø45	PCS 2	○ 980154  Ø24/13	PCS 2	○ 909248  M12	PCS 2	○ 905115  Ø32	PCS 2
		PCS		PCS		PCS		PCS		PCS		PCS

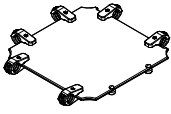
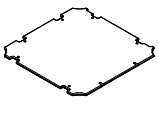
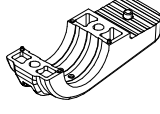
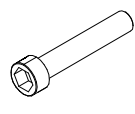
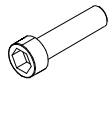
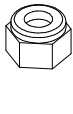
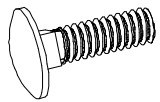
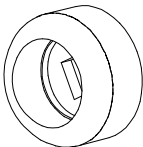
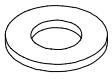
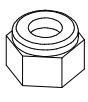
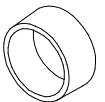
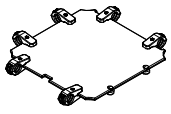
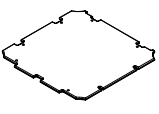
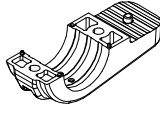
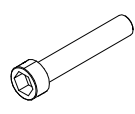
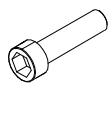
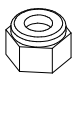
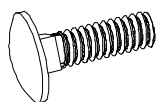
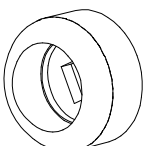
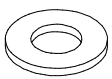
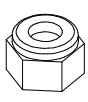
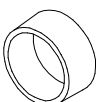
LAPPSET®

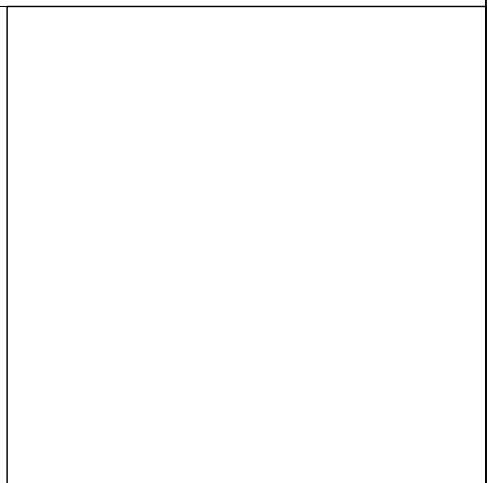
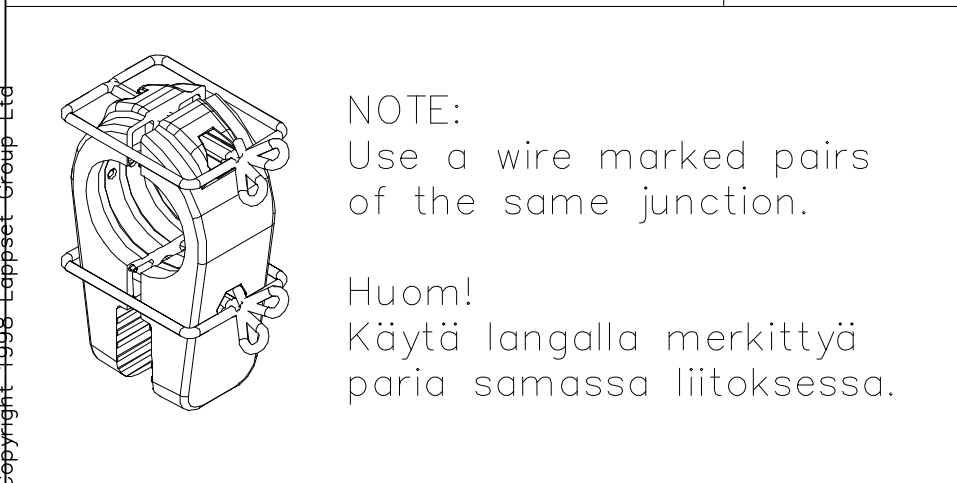
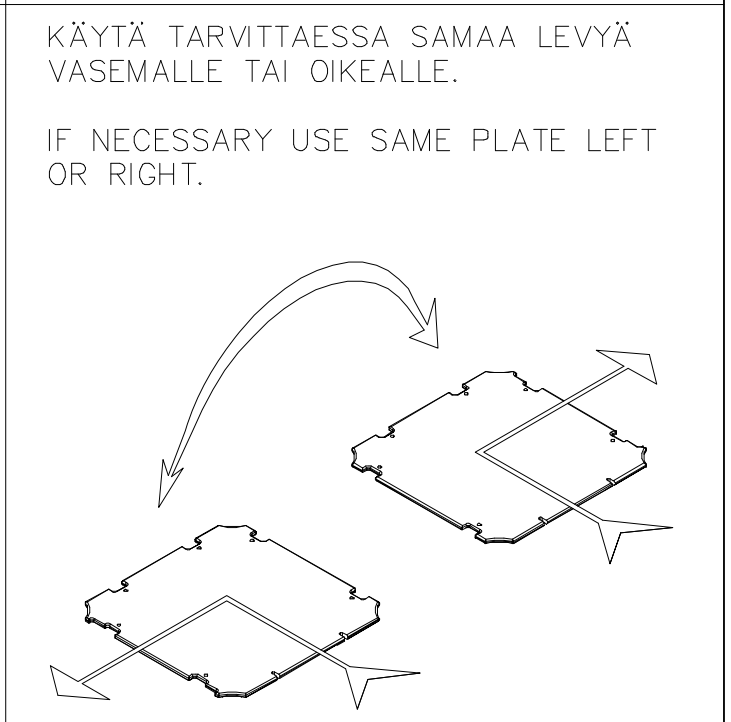
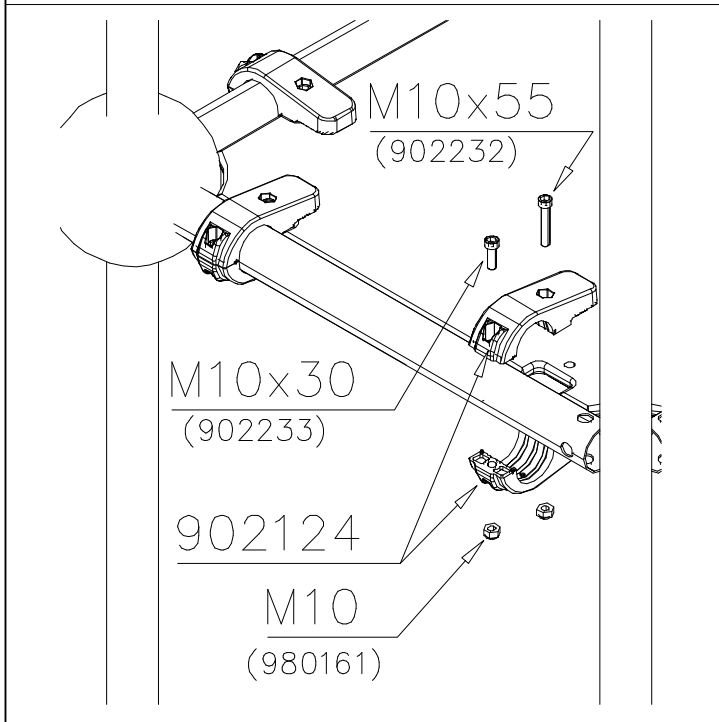
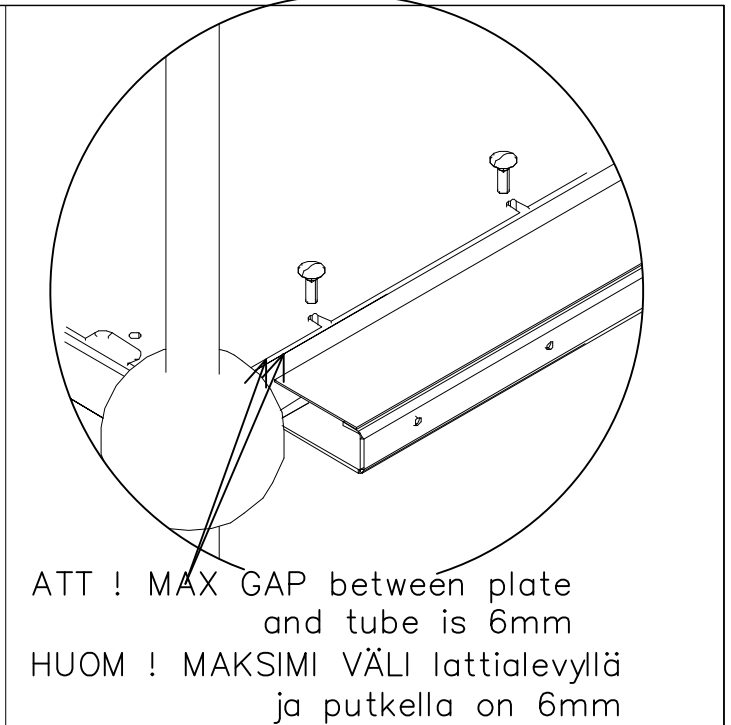
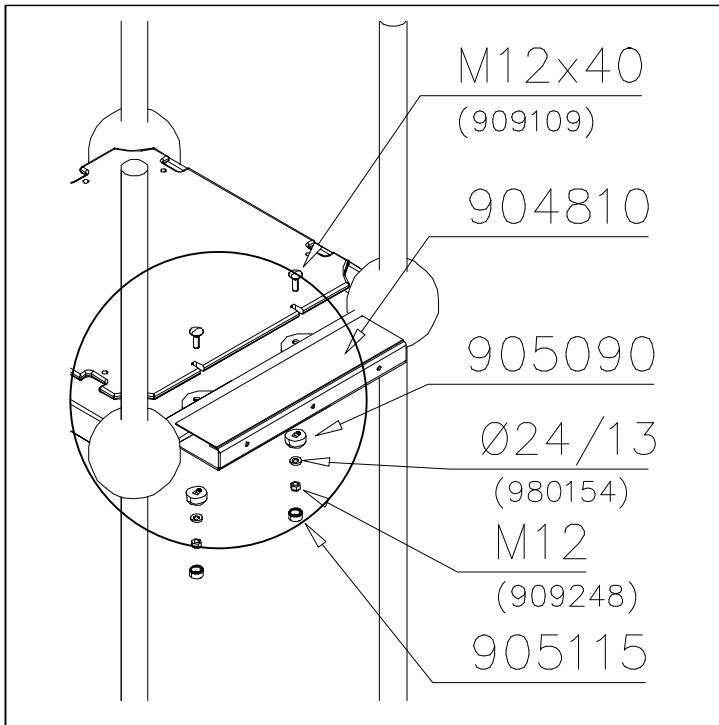
FLOOR (SLIDE)

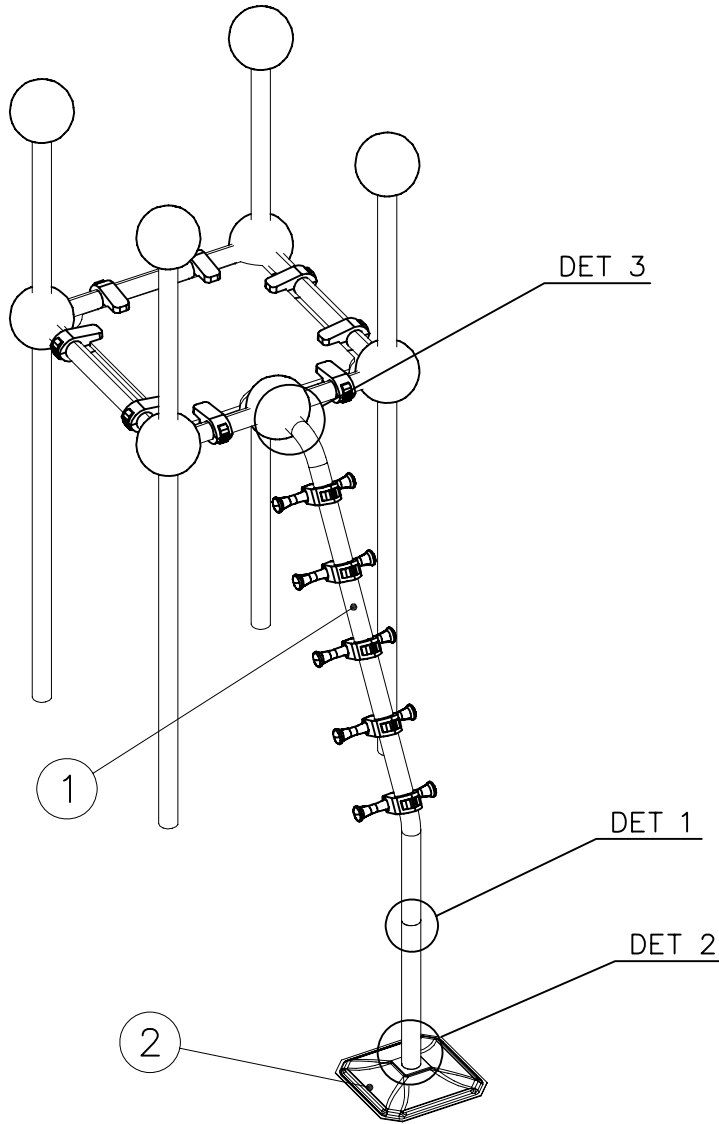
CLOXX

DATE: 3.10.2013

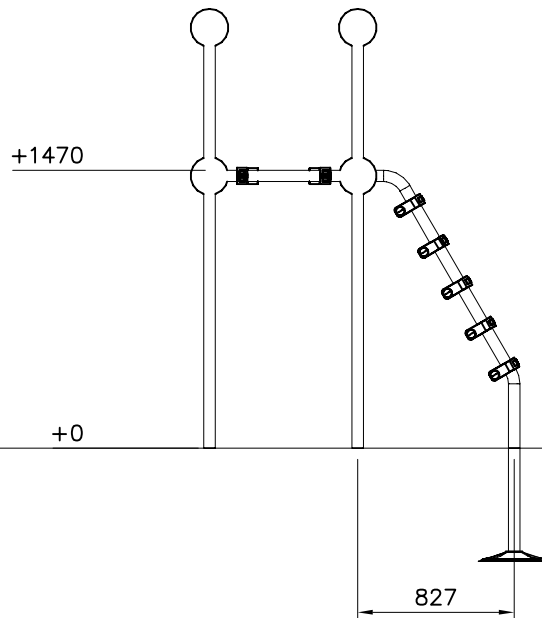
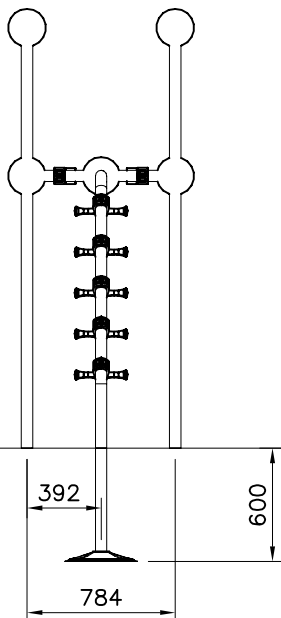
2(3)

○ 704684 	○ 704685 	PCS 1	○ 902124  150x50x50	PCS 12	○ 902232  M10x55	PCS 6	○ 902233  M10x30	PCS 6	○ 980161  M10	PCS 12		PCS
		PCS	○ 909109  M12x40	PCS 2	○ 905090  Ø45	PCS 2	○ 980154  Ø24/13	PCS 2	○ 909248  M12	PCS 2	○ 905115  Ø32	PCS 2
		PCS		PCS		PCS		PCS		PCS		PCS
○ 704692 	○ 704693 	PCS 1	○ 902124  150x50x50	PCS 12	○ 902232  M10x55	PCS 6	○ 902233  M10x30	PCS 6	○ 980161  M10	PCS 12		PCS
		PCS	○ 909109  M12x40	PCS 2	○ 905090  Ø45	PCS 2	○ 980154  Ø24/13	PCS 2	○ 909248  M12	PCS 2	○ 905115  Ø32	PCS 2
		PCS		PCS		PCS		PCS		PCS		PCS
		PCS		PCS		PCS		PCS		PCS		PCS
		PCS		PCS		PCS		PCS		PCS		PCS

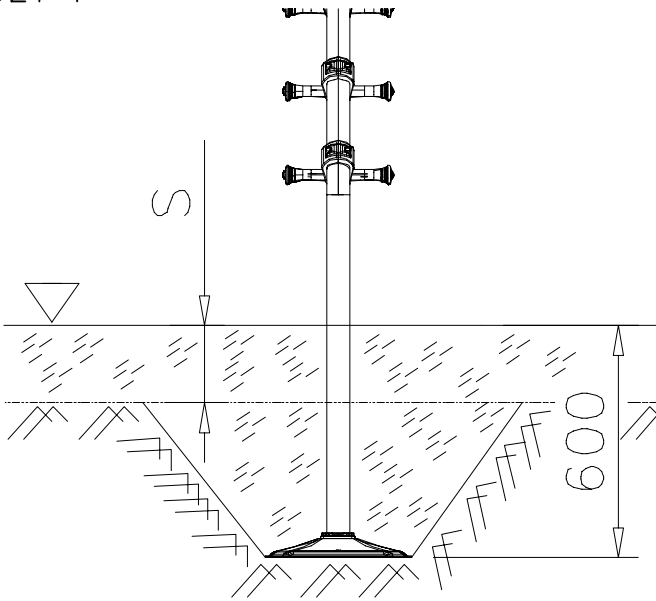




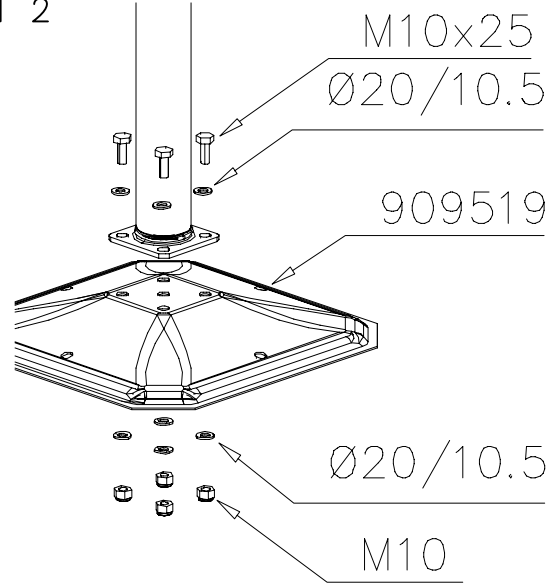
① 704439	PCS	② 909519	PCS
	1		1
		50x380x380	
③ 909637	PCS	④ 909638	PCS
	4		8
M10		Ø20/10.5	
⑤ 909639	PCS		PCS
	4		
M10x25			
	PCS		PCS
	PCS		PCS



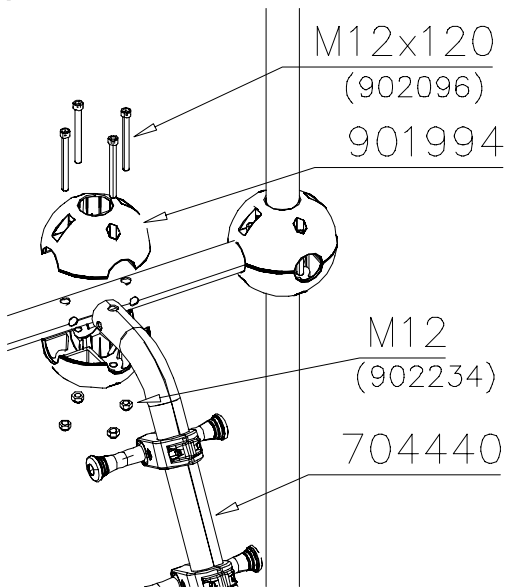
DET 1

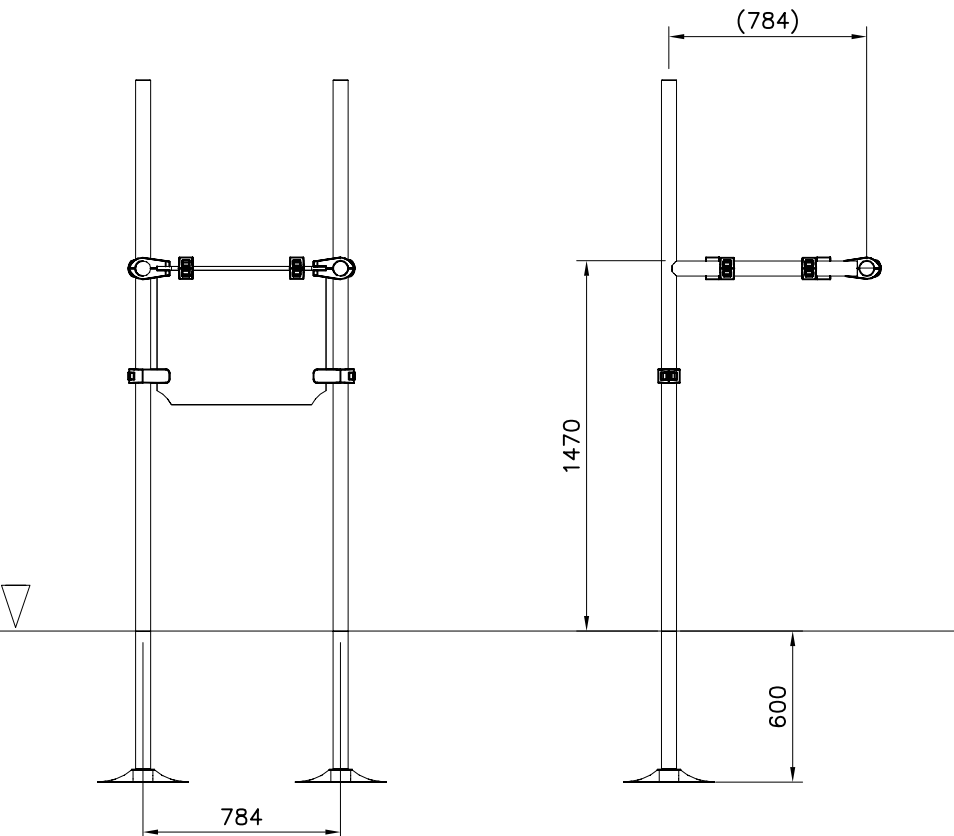
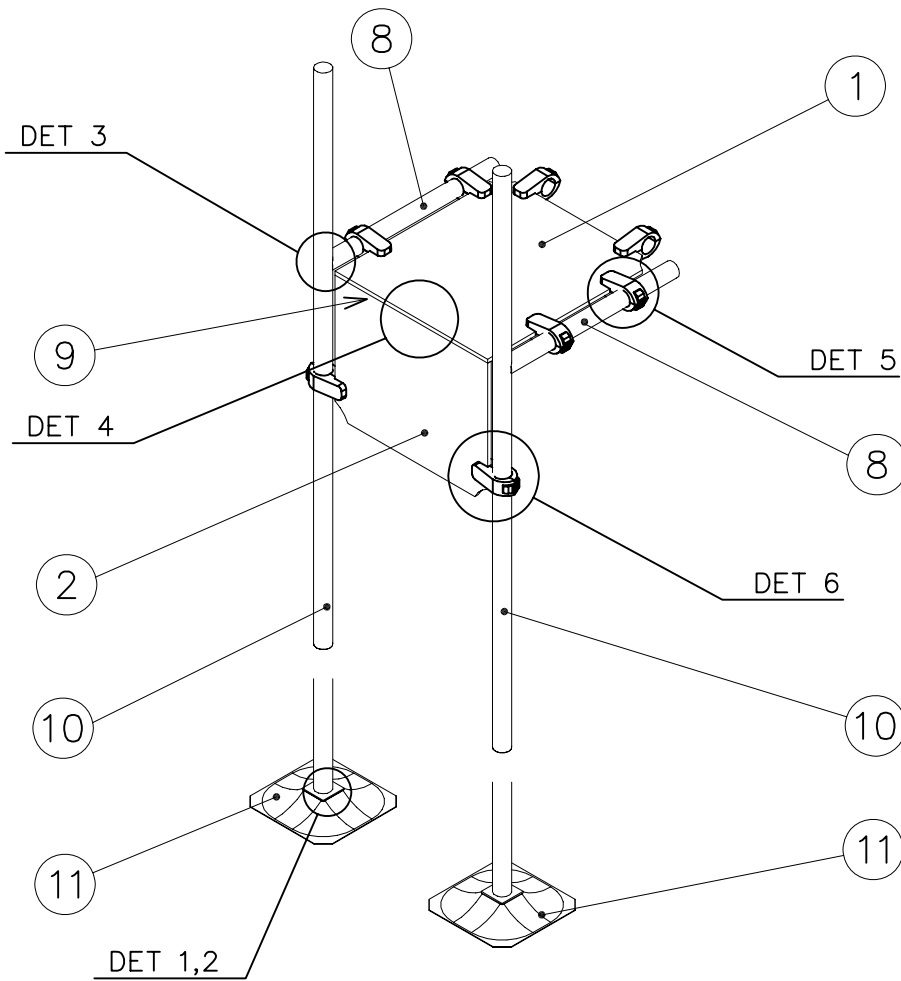


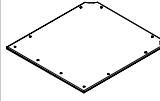
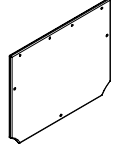
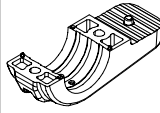
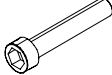
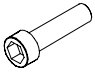
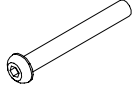
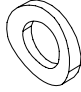
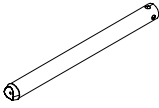
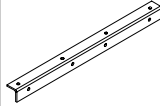

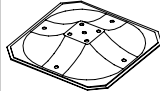


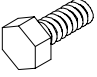
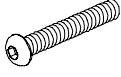

DET 2



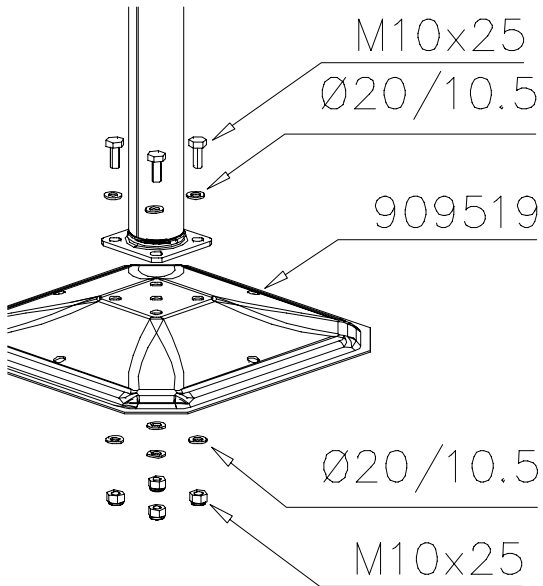
DET 3



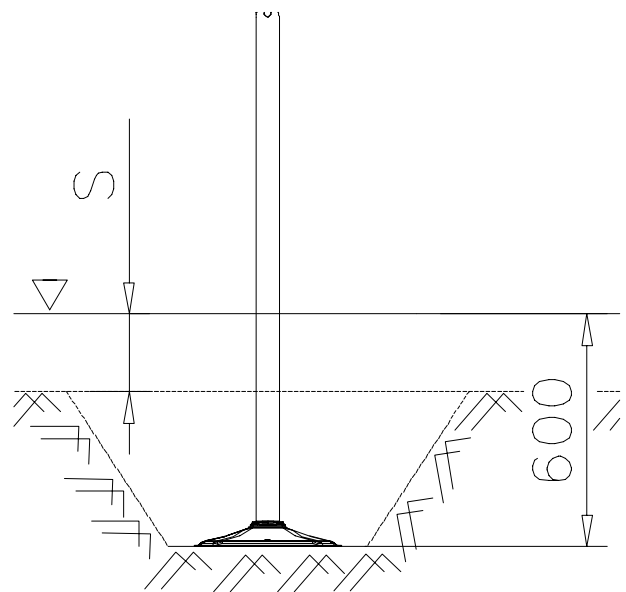


① 704668	PCS	② 704672	PCS
	1		1
15x670x734		15x670x534	
③ 902124	PCS	④ 902232	PCS
	16		8
150x50x50		M10x55	
⑤ 902233	PCS	⑥ 904133	PCS
	8		2
M10x30		M10x80	
⑦ 904158	PCS	⑧ 904987	PCS
	2		2
⑨ 904996	PCS	⑩ 905019	PCS
	1		2
		L 2737	
⑪ 909519	PCS	⑫ 909637	PCS
	2		8
50x380x380		M10	
⑬ 909638	PCS	⑭ 909639	PCS
	16		8
Ø20/10.5		M10x25	
⑮ 909852	PCS	⑯ 980161	PCS
	8		16
M8x30		M10	

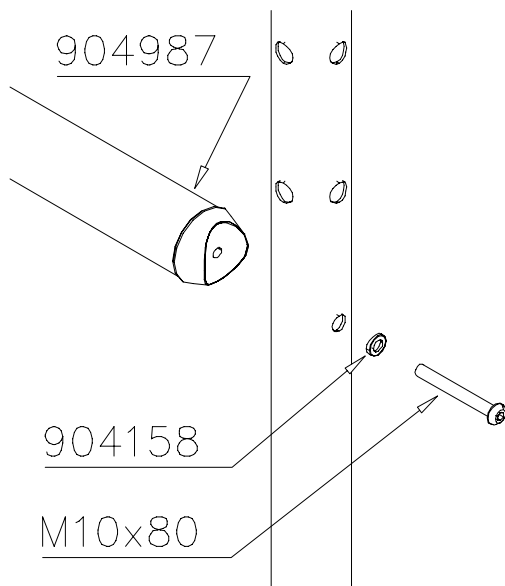
DET 1



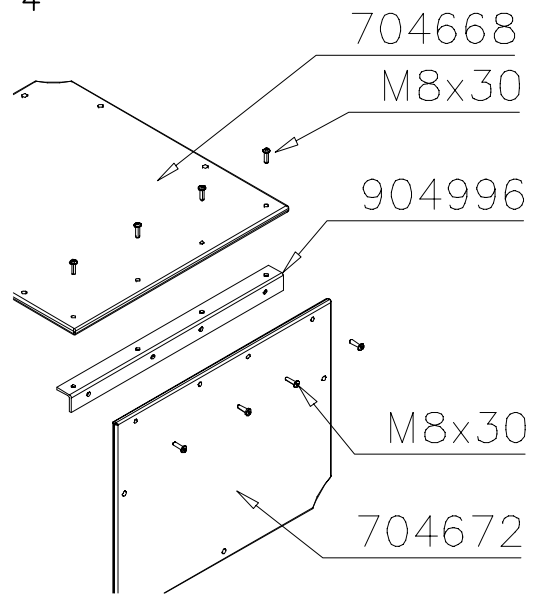
DET 2



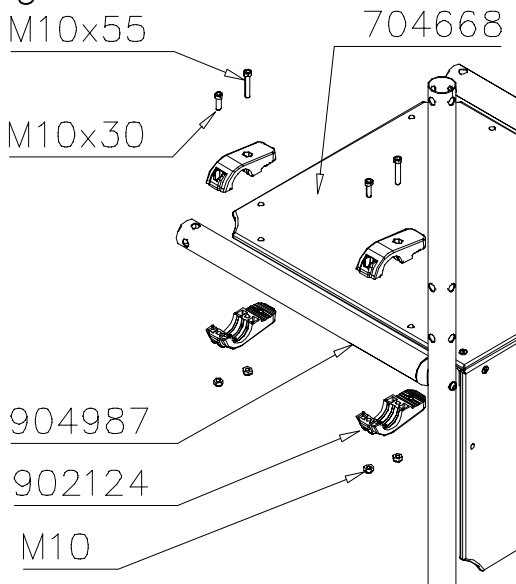
DET 3



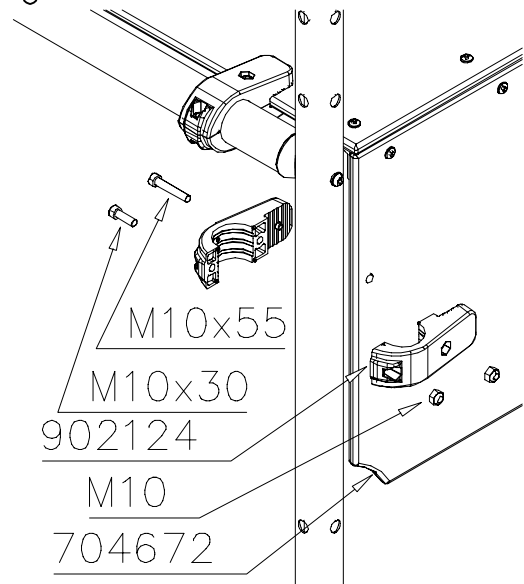
DET 4

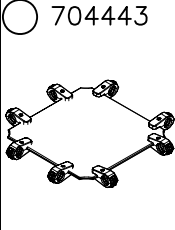
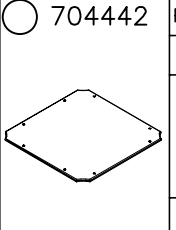
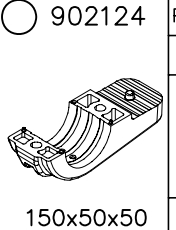
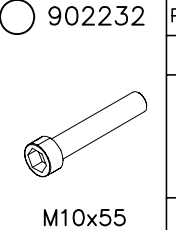
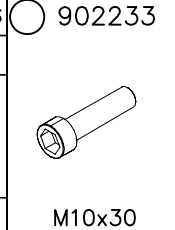
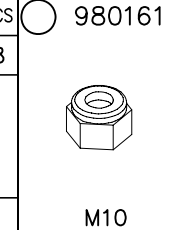
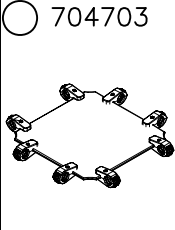
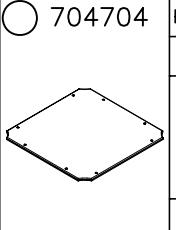
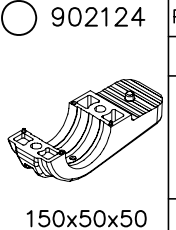
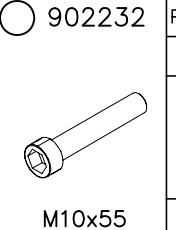
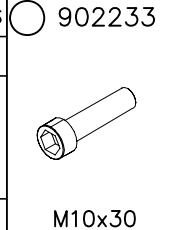
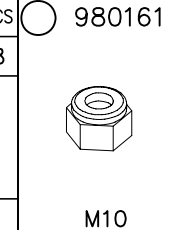
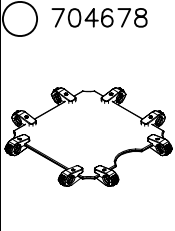
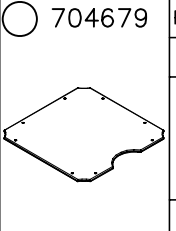
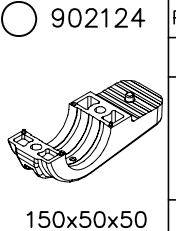
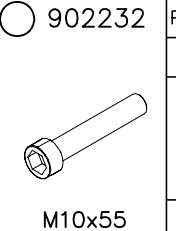
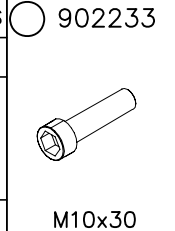
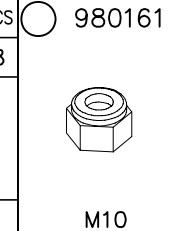
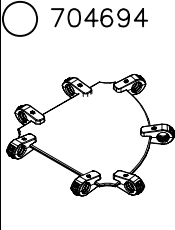
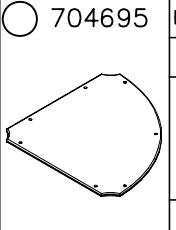
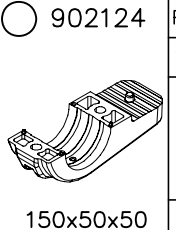
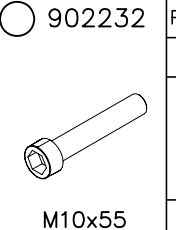
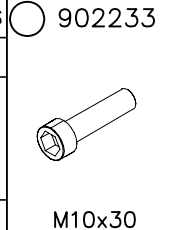
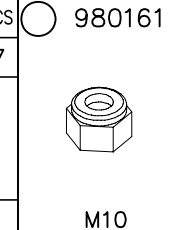


DET 5



DET 6



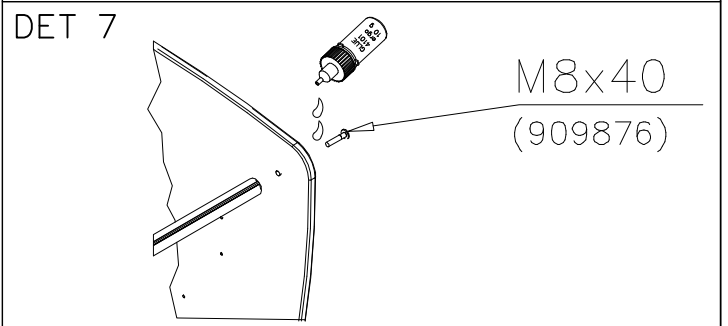
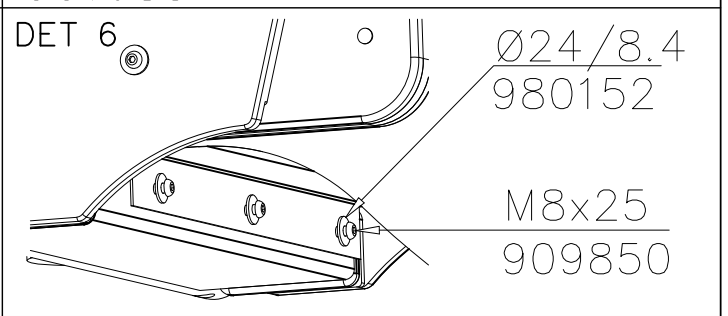
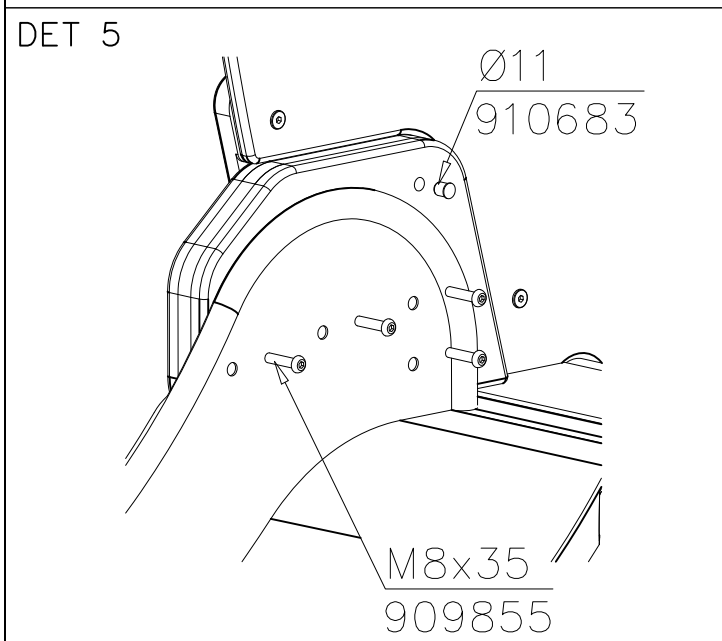
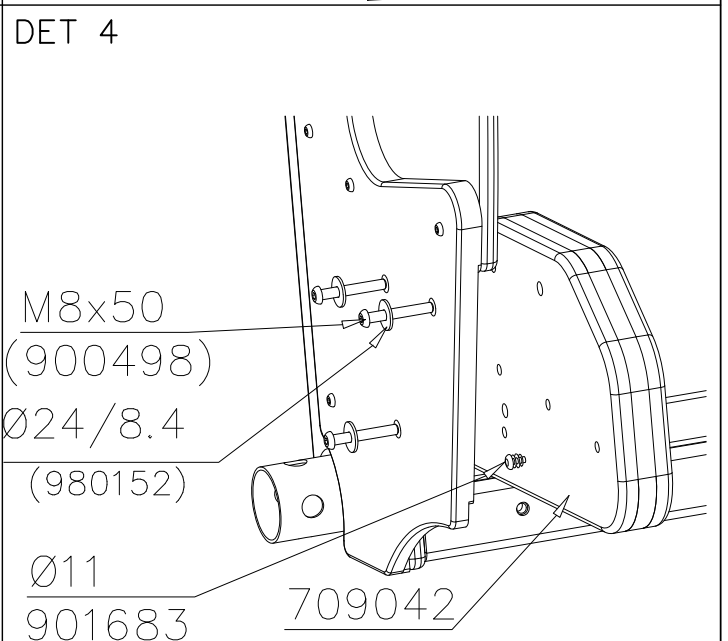
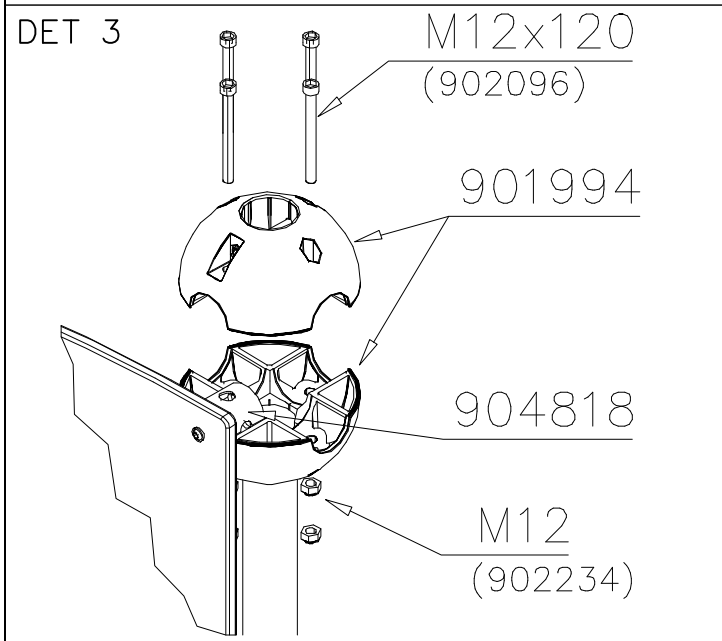
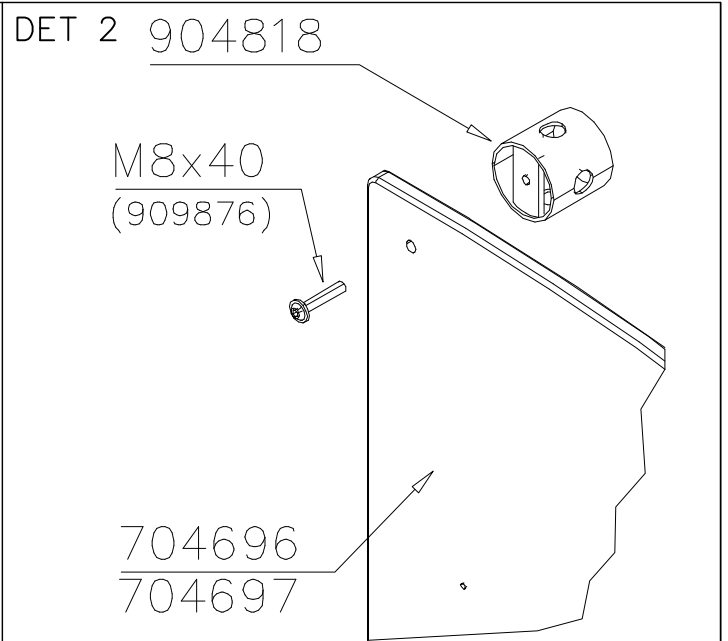
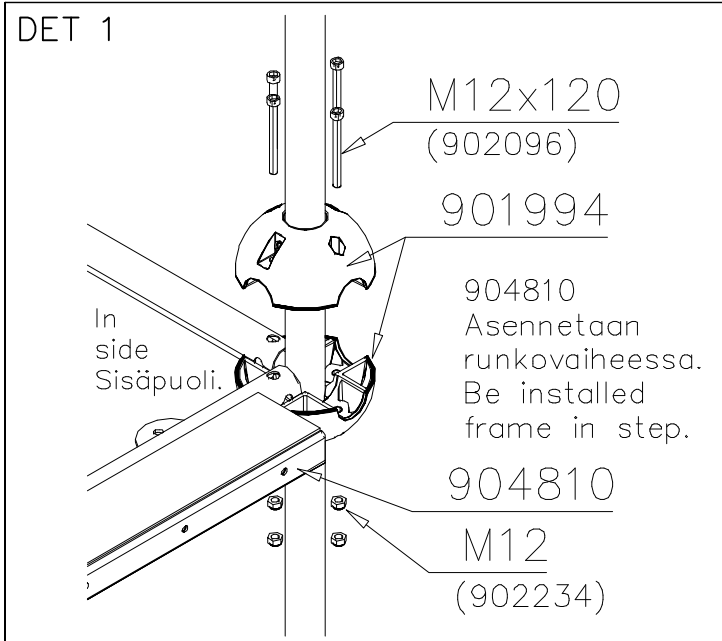
 <p>704443</p>	 <p>704442</p>	<p>PCS</p> <p>1</p>	 <p>902124</p> <p>150x50x50</p>	<p>PCS</p> <p>16</p>	 <p>902232</p> <p>M10x55</p>	<p>PCS</p> <p>8</p>	 <p>902233</p> <p>M10x30</p>	<p>PCS</p> <p>8</p>	 <p>980161</p> <p>M10</p>	<p>PCS</p> <p>16</p>		<p>PCS</p>
 <p>704703</p>	 <p>704704</p>	<p>PCS</p> <p>1</p>	 <p>902124</p> <p>150x50x50</p>	<p>PCS</p> <p>16</p>	 <p>902232</p> <p>M10x55</p>	<p>PCS</p> <p>8</p>	 <p>902233</p> <p>M10x30</p>	<p>PCS</p> <p>8</p>	 <p>980161</p> <p>M10</p>	<p>PCS</p> <p>16</p>		<p>PCS</p>
 <p>704678</p>	 <p>704679</p>	<p>PCS</p> <p>1</p>	 <p>902124</p> <p>150x50x50</p>	<p>PCS</p> <p>16</p>	 <p>902232</p> <p>M10x55</p>	<p>PCS</p> <p>8</p>	 <p>902233</p> <p>M10x30</p>	<p>PCS</p> <p>8</p>	 <p>980161</p> <p>M10</p>	<p>PCS</p> <p>16</p>		<p>PCS</p>
 <p>704694</p>	 <p>704695</p>	<p>PCS</p> <p>1</p>	 <p>902124</p> <p>150x50x50</p>	<p>PCS</p> <p>14</p>	 <p>902232</p> <p>M10x55</p>	<p>PCS</p> <p>7</p>	 <p>902233</p> <p>M10x30</p>	<p>PCS</p> <p>7</p>	 <p>980161</p> <p>M10</p>	<p>PCS</p> <p>14</p>		<p>PCS</p>
		<p>PCS</p>		<p>PCS</p>		<p>PCS</p>		<p>PCS</p>		<p>PCS</p>		<p>PCS</p>
		<p>PCS</p>		<p>PCS</p>		<p>PCS</p>		<p>PCS</p>		<p>PCS</p>		<p>PCS</p>
		<p>PCS</p>		<p>PCS</p>		<p>PCS</p>		<p>PCS</p>		<p>PCS</p>		<p>PCS</p>
		<p>PCS</p>		<p>PCS</p>		<p>PCS</p>		<p>PCS</p>		<p>PCS</p>		<p>PCS</p>

Exploded view diagram of a mechanical assembly. The diagram shows various components labeled with circled numbers 1 through 13 and sub-assemblies labeled DET 1 through DET 7. Dimensions are provided for several parts and the overall assembly.

Dimensions shown in the diagram:

- 860 (vertical dimension on the left)
- 784 (vertical dimension on the right)
- 784 (horizontal dimension at the bottom)
- 468 (horizontal dimension at the top right)
- (870-1470-1970-2070) (vertical dimension on the right)

① 704696	PCS	② 704697	PCS
	1		1
③ 904810	PCS	④ 904818	PCS
	1		2
⑤ 904833	PCS	⑥ 909876	PCS
	1		4
Ø30x565		M8x40	
⑦ 980152	PCS	⑧ 900498	PCS
	9		6
Ø24/8.4		M8x50	
⑨ 999561	PCS	⑩ 709042	PCS
	1		2
GLUE 4101 ergo 10 g			
10 g			
		⑪ 909855	PCS
			8
		M8x35	
		⑫ 910683	PCS
			4
		Ø11	
		⑬ 909850	PCS
			3
		M8x25	



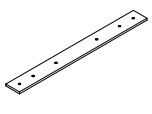
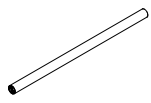

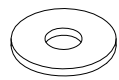
LAPPSET

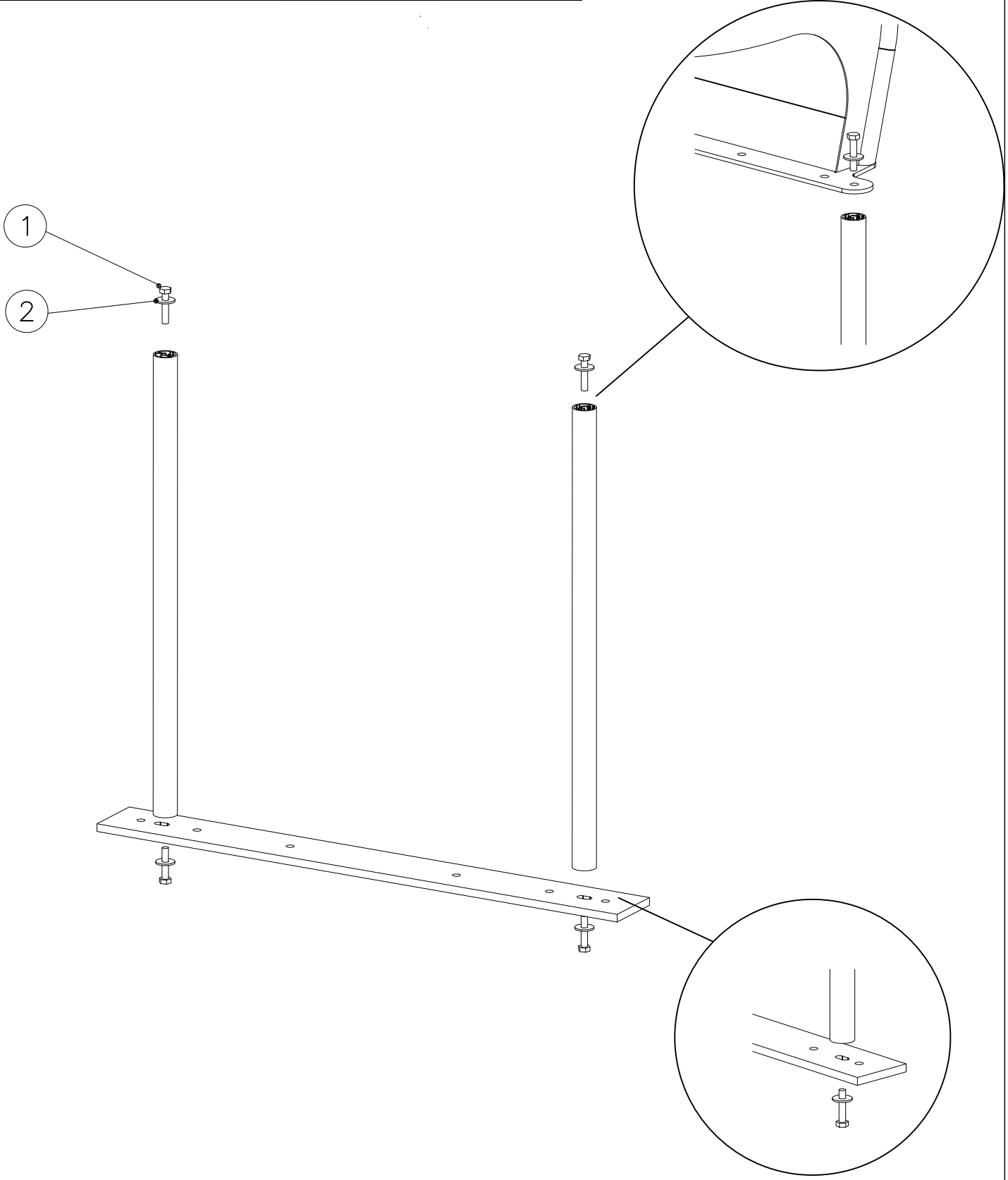
DEEP FOUNDATION

SLIDE METAL

DATE: 11.2.2019

1(1)

○ 707133	PCS	○ 901868	PCS	① 909210	PCS	② 905051	PCS
	1		2		4		4
							
10x80x745		Ø30x598		M8x40		Ø24/8.4	



LAPPSET

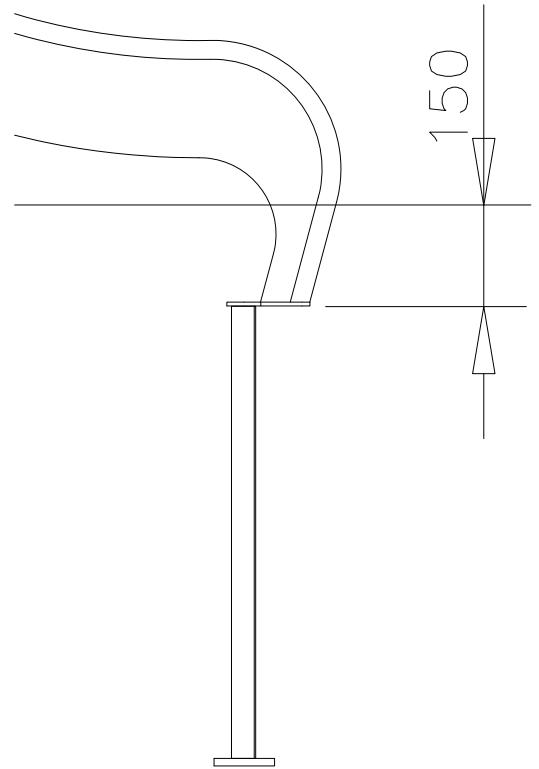
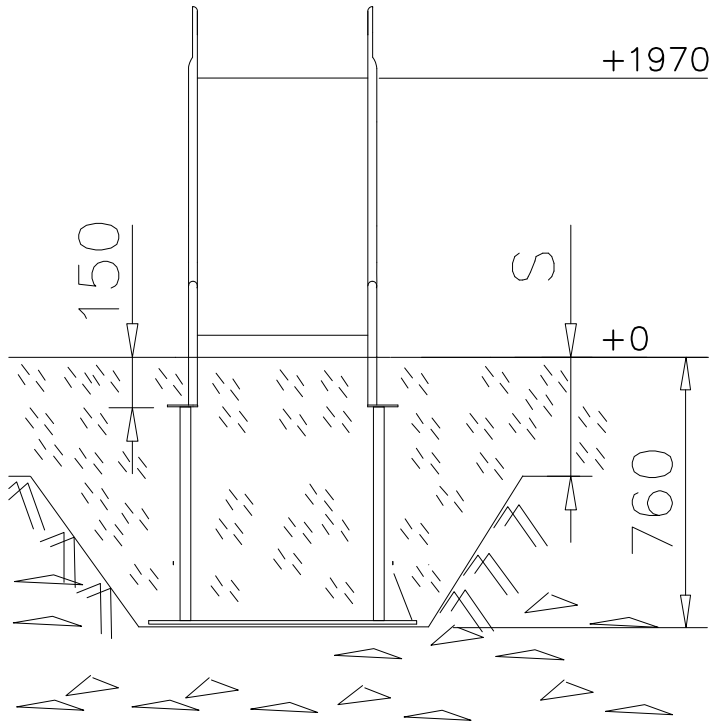
DEEP FOUNDATION

SLIDE METAL

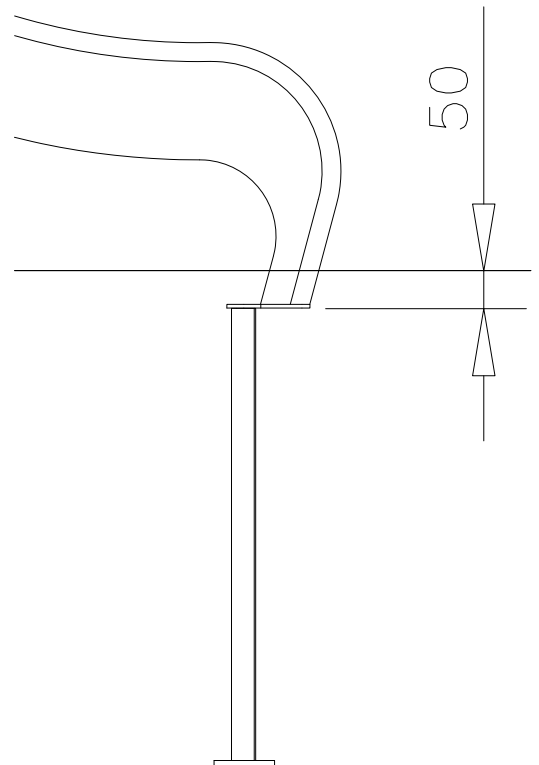
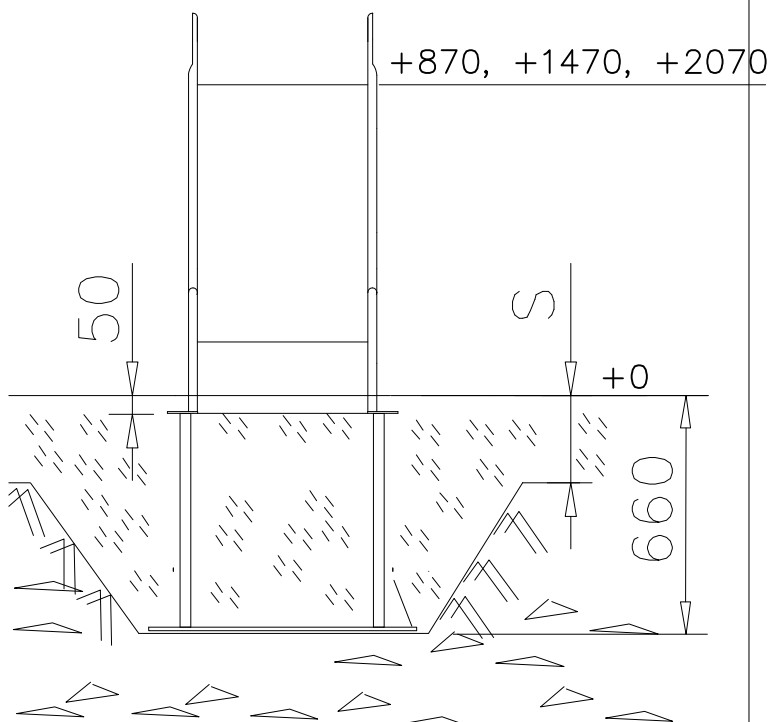
DATE: 24.11.2020

1(1)

Floor level +1970



Floor level +870,
+1470, +2070





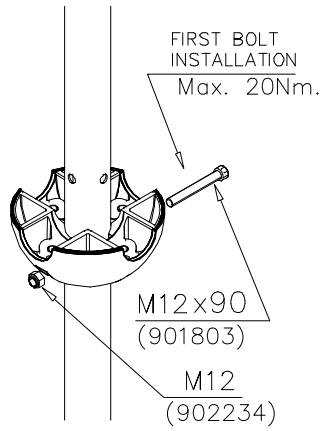
DO NOT TIGHTEN THE JOINTS UNTIL THE STRUCTURE IS COMPLETE.

① 901803	PCS	② 901994	PCS
	2		2
M12x90		Ø190	
③ 902096	PCS	④ 902234	PCS
	4		6
M12x120		M12	
	PCS		PCS
	PCS		PCS
	PCS		PCS
	PCS		PCS
	PCS		PCS
	PCS		PCS

DET 1



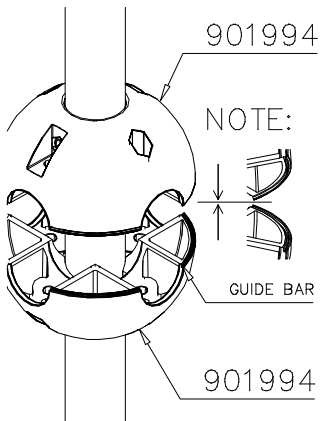
DET 2



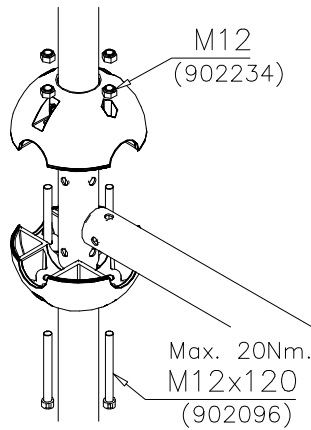
DET 3



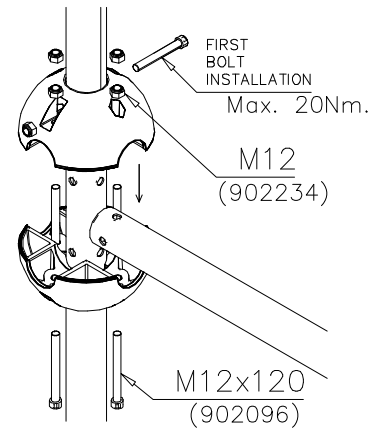
DET 4



DET 5

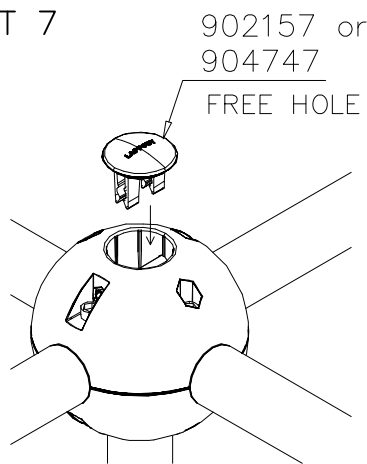


DET 6



REMEMBER
FINAL
TIGHTENING

DET 7



DET 8





Tuotekyltti tulee tuotteen mukana yhdellä seuraavista tavoista:

1) Metallinen tuotekyltti ja kiinnitysruuvit

- Kiinnitä tuotekyltti ruuveilla tolppaan noin 2 metrin korkeuteen kuvan 1 mukaisesti.

2) Tuotekylttitarra

- Puhdista maalattu metalli- tai vaneripinta pölystä ja kosteudesta. Liimaa tarra kuvan 2 mukaisesti.
- Huom. Älä kiinnitä tarraa karheapintaiseen laminaattiin tai maalattuun puuhun.

Vår produktmärkning levereras på ett av följande sätt:

1) Produktskylt i metall

- Fäst skylten med de medföljande skruvarna

2) Självhäftande produktetikett

- Rengör den pulverlackerade metallytan eller laminatyten så att den blir fri från smuts och fukt. Fäst etiketten enligt fig. 2.
- Obs! Fäst ej etiketten på detaljer med skrovlig yta eller på målat trä.

Product label is delivered by one of following ways:

1) Metal product label and screws

- Fasten the label with screws.

2) Label sticker

- Clean the painted metal or plywood surface from dirt and moisture. Fasten the sticker as shown in the figure 2.
- Note. Do not attach the sticker to rough surfaced laminate or painted wood.

La plaque d'informations produit est livrée sous l'une de ces 3 formes :

1) Plaque métallique et vis

- Fixez la plaque à l'aide des vis.

2) Etiquette autocollante

- Avant de coller l'étiquette, nettoyez le composant métallique peint ou la plaque de contreplaqué, de toute saleté. La surface doit être sèche (voir image 2).
- Attention, ne pas coller l'étiquette sur une surface lamellé-collée irrégulière ou sur du bois peint.

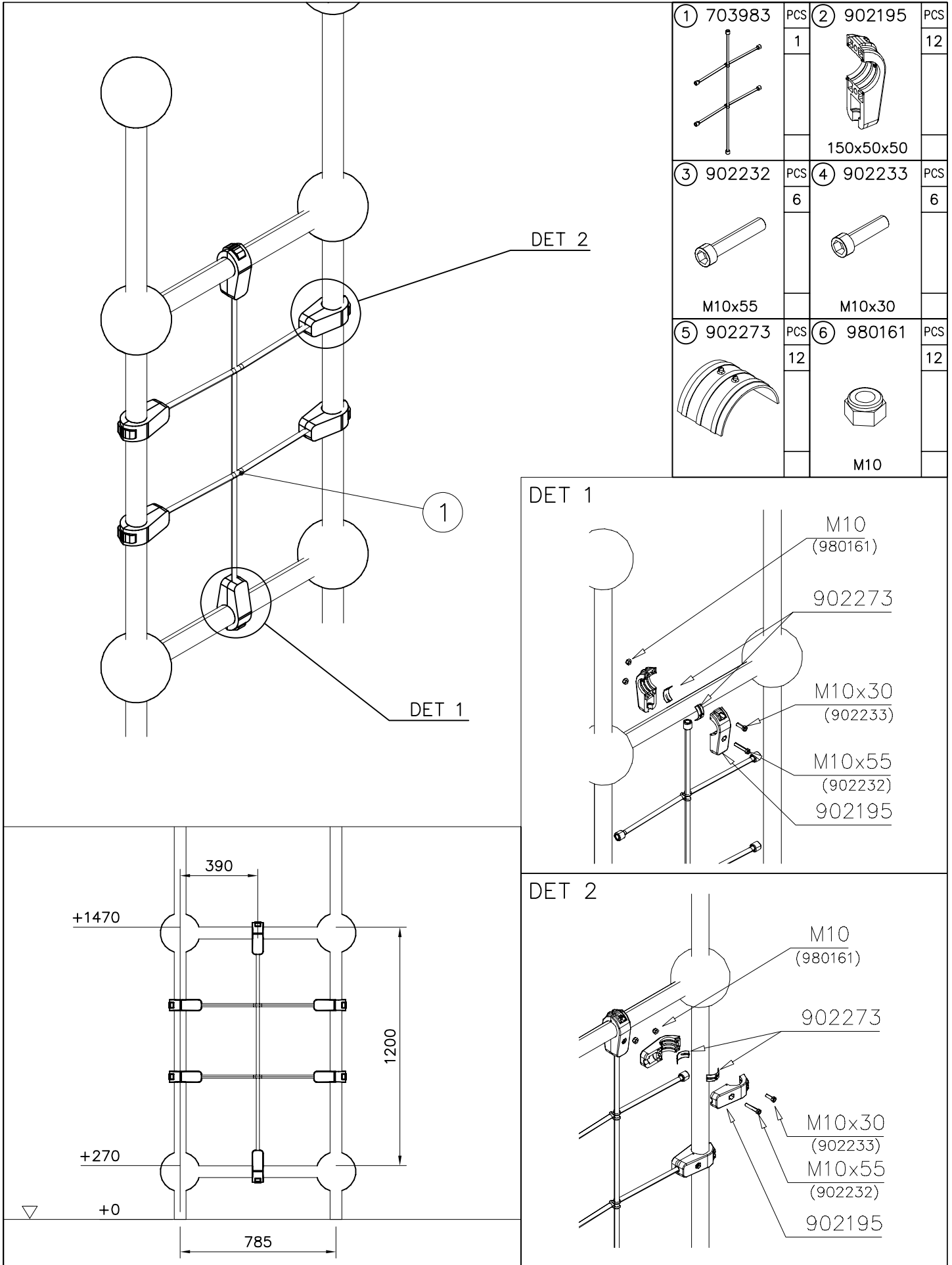
Die Auslieferung des Produktaufklebers erfolgt auf eine dieser Arten:

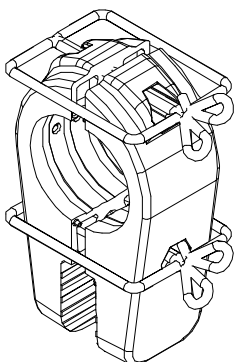
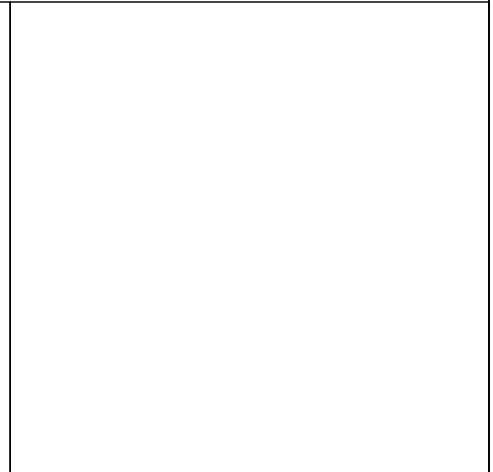
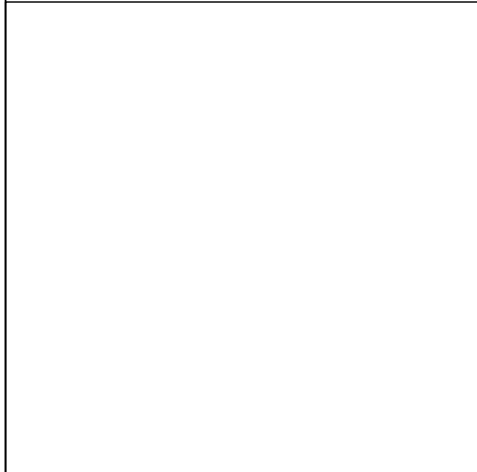
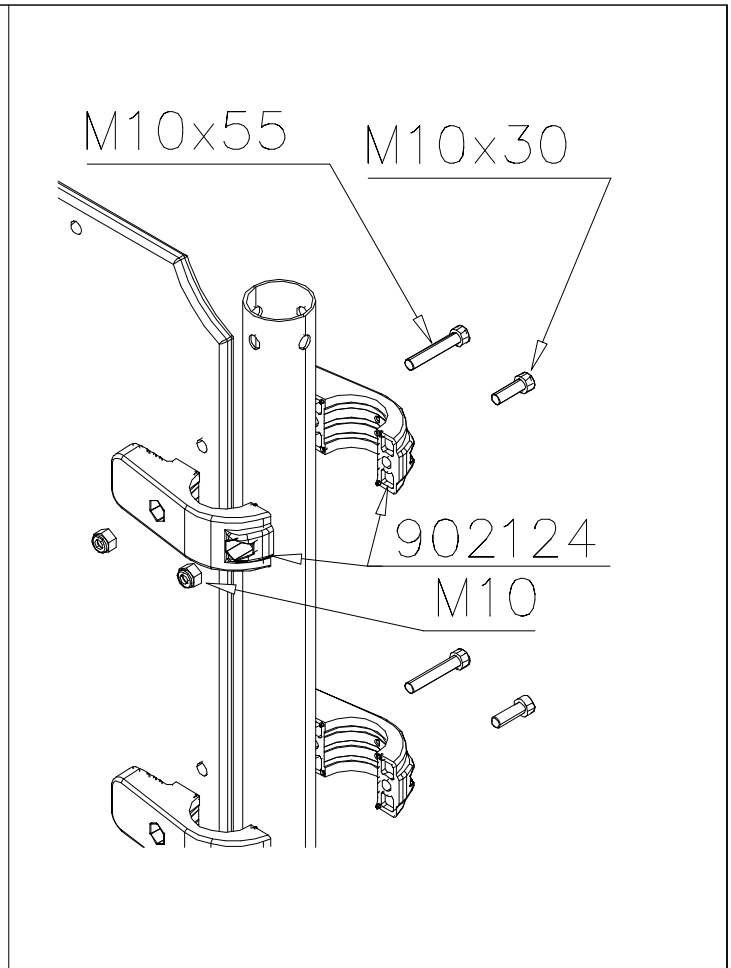
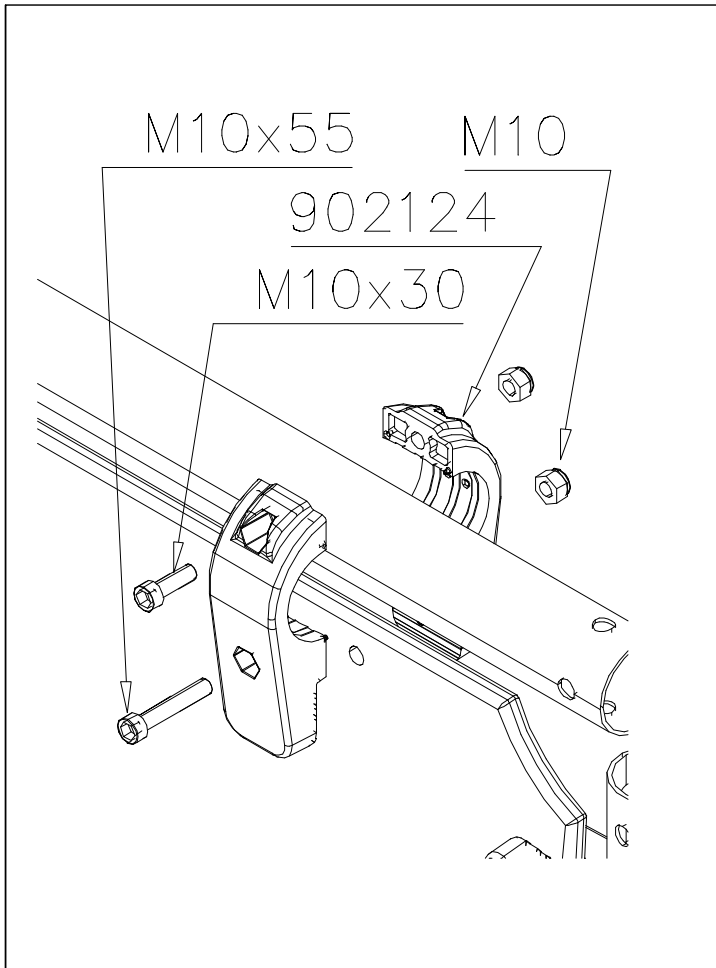
1) Produkt-Schild aus Metall incl. Schrauben

- Die Befestigung des Schildes erfolgt mittels der Schrauben.

2) Aufkleber

- Entfernen Sie zunächst Schmutz und Feuchtigkeit vom lackierten Metall bzw. von der Holzoberfläche und bringen Sie den Aufkleber wie im Bild oben rechts beschrieben auf den gesäuberten Untergrund auf.
- Beachten Sie: Bringen Sie den Aufkleber nicht auf raues laminiertes oder lackiertes Holz an.





NOTE:
 Use a wire marked pairs
 of the same junction.

Huom!
 Käytä langalla merkittyä
 paria samassa liitoksessa.

HUOM!

Otepalan asennus, säätö tai paikan vaihto.

Säätömahdollisuus (90°,180°,270°).

Jos asennetun otepalan suunta- tai paikkaa halutaan muuttaa.

Irrota otepalan kiinnityspultti ja otepala, käännä tai vaihda.

Siirrä tarvittaessa tappi oikeaan upotusreikään. Asenna avatut osat paikoilleen ja lopuksi kiinnitä muovitulppa Ø30 paikoilleen kaikkiin otekokoonpanoihin.

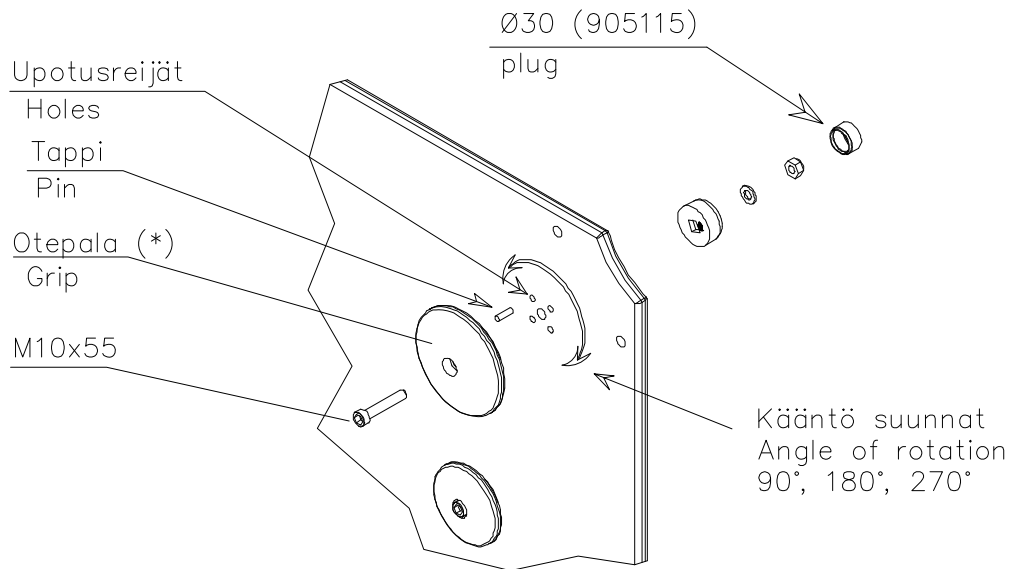
NOTE:

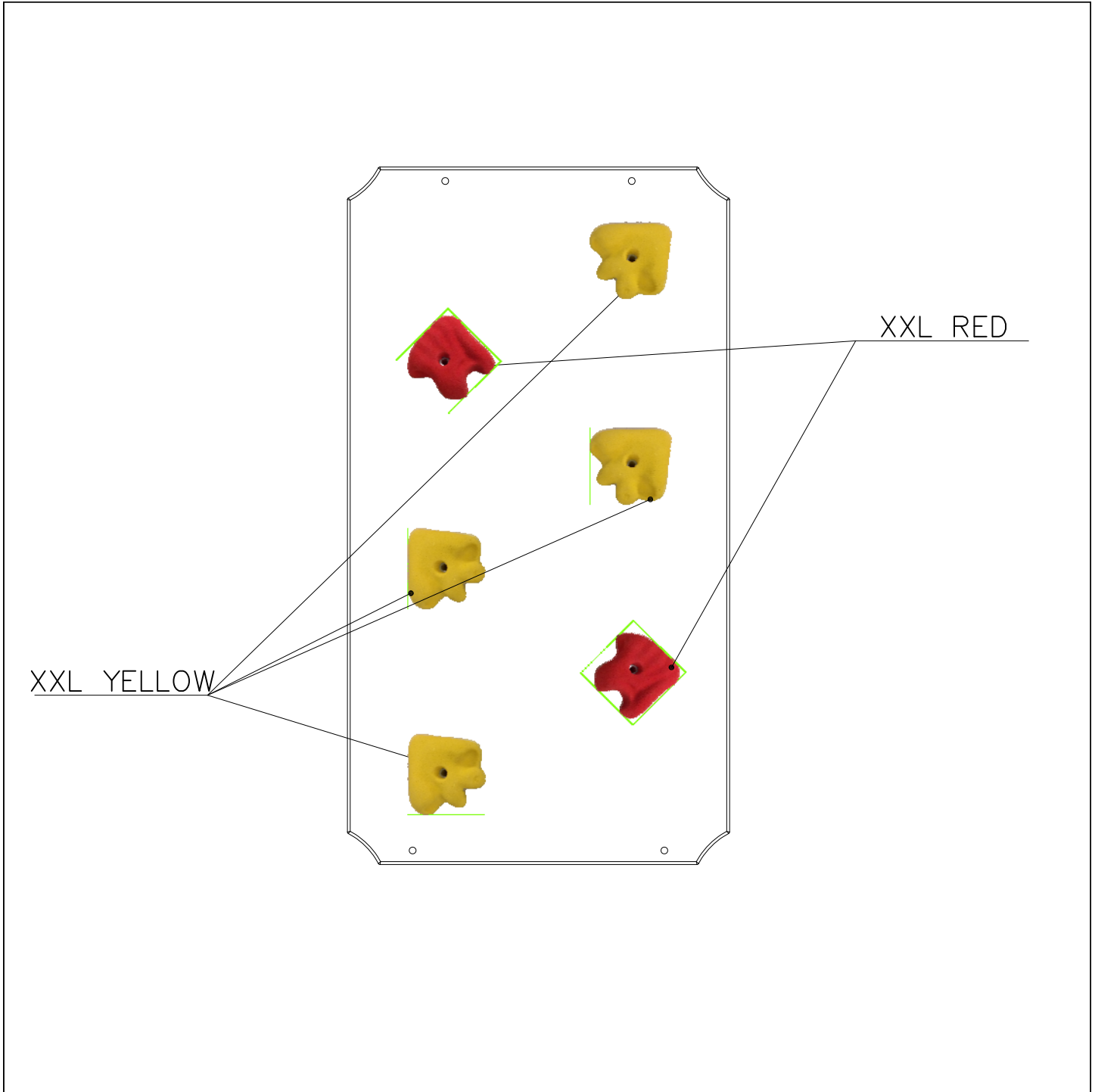
Grip positions and angles are adjustable (90°,180°270°).

Grip can be repositioned by removing the fastening bolt and pulling the grip off.

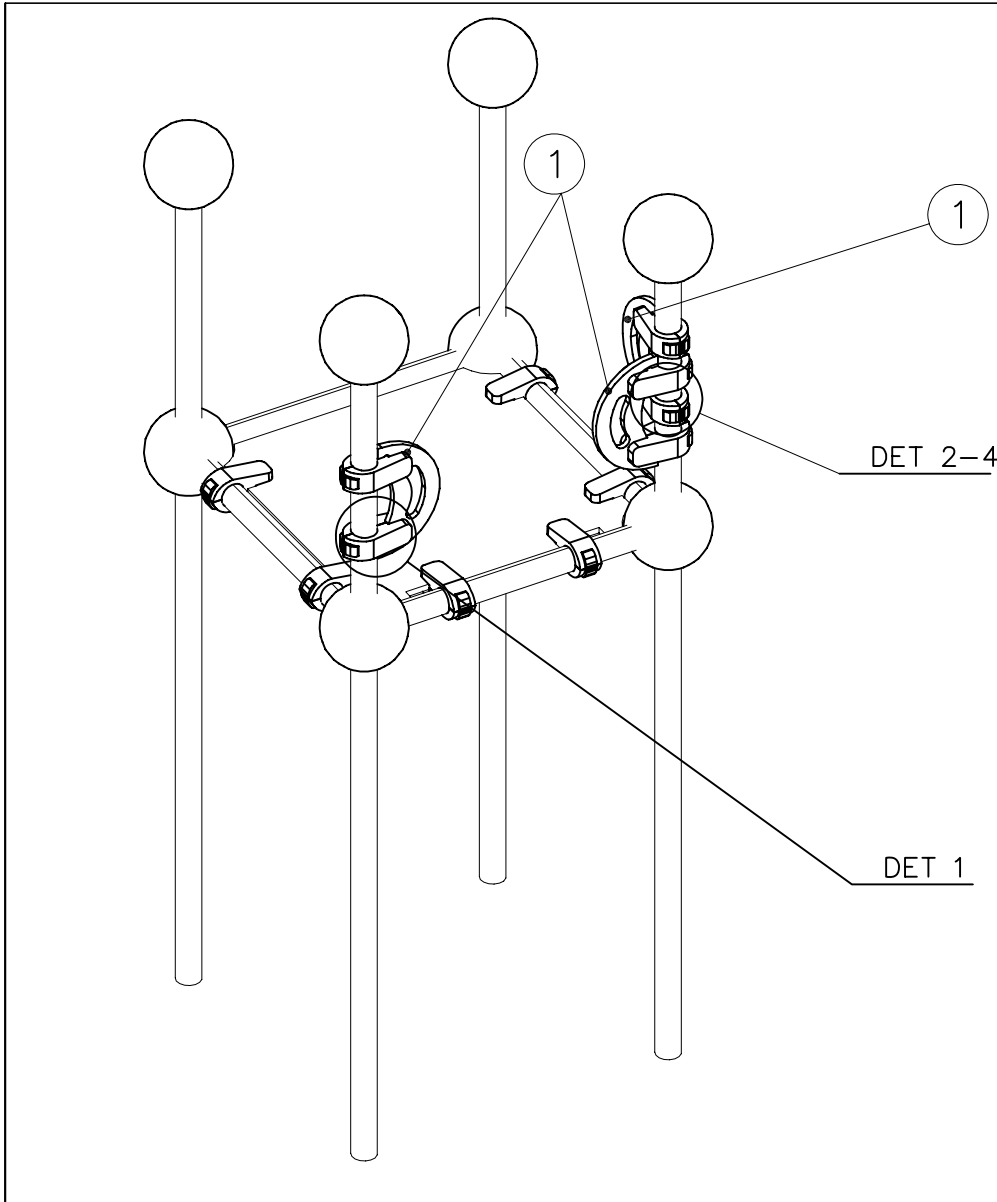
Securing pin can be repositioned when angle is changed.

After the parts are reassembled. Finish the assembly by fastening the cover plugs (Ø30).

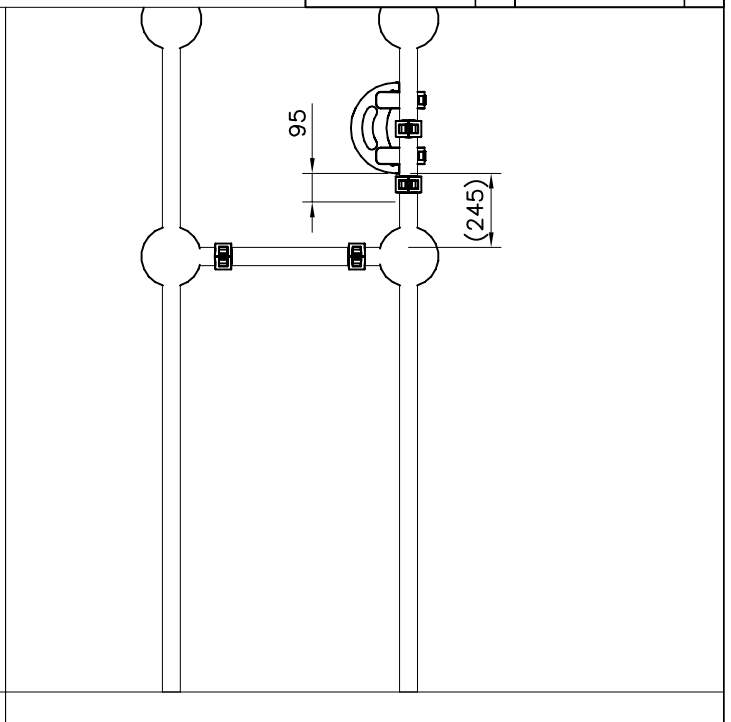
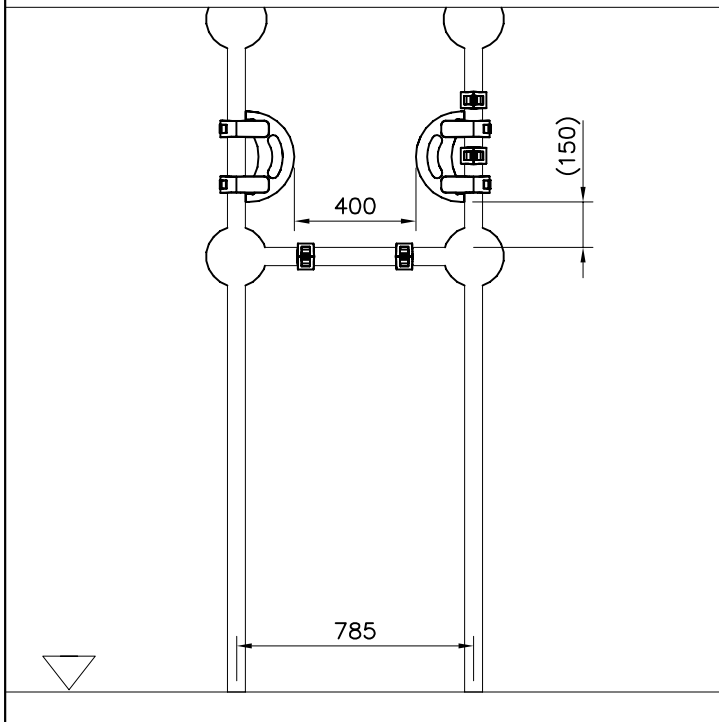




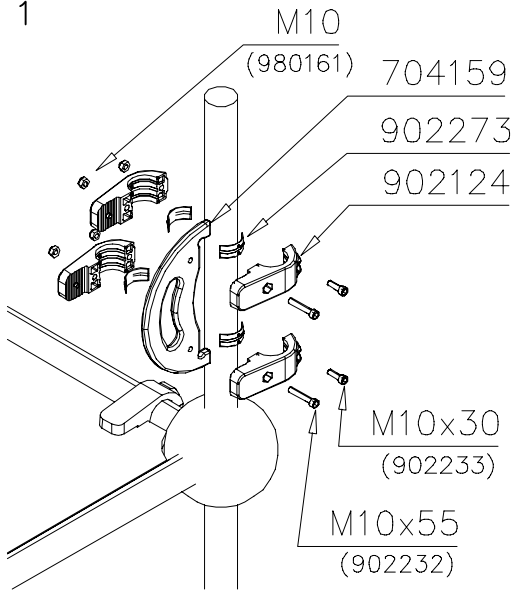
○ 704006	PCS ○ 704005	PCS	○ 902124	PCS	○ 902232	PCS	○ 902233	PCS	○ 980161	PCS	○ 905115	PCS
	 D. GREY	1	 150x50x50	8	 M10x55	10	 M10x30	4	 M10	14	 Ø32	6
	PCS ○ 905090	PCS	○ 901302	PCS	○ 904336	PCS	* ○ 904301	PCS	* ○ 904302	PCS		PCS
	 Ø45	6	 Ø20/10.5	6	 Ø6x20	6	 XXL RED	2	 XXL YELLOW	4		



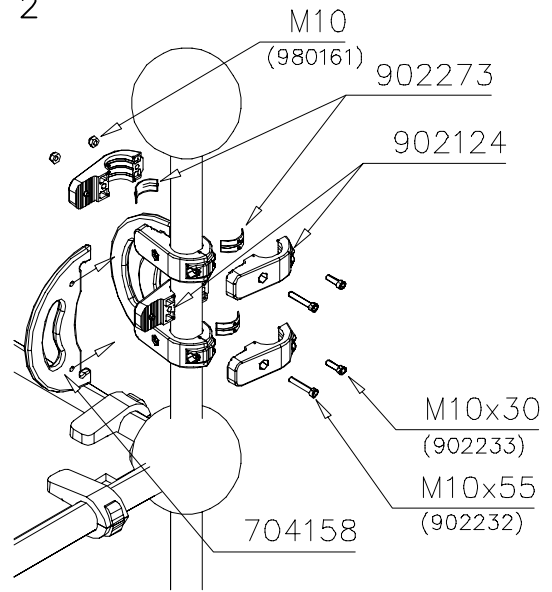
① 704158	PCS	② 902124	PCS
	1		4
		150x50x50	
③ 902232	PCS	④ 902233	PCS
	2		2
M10x55		M10x30	
⑤ 902273	PCS	⑥ 980161	PCS
	4		4
		M10	
	PCS		PCS
	PCS		PCS



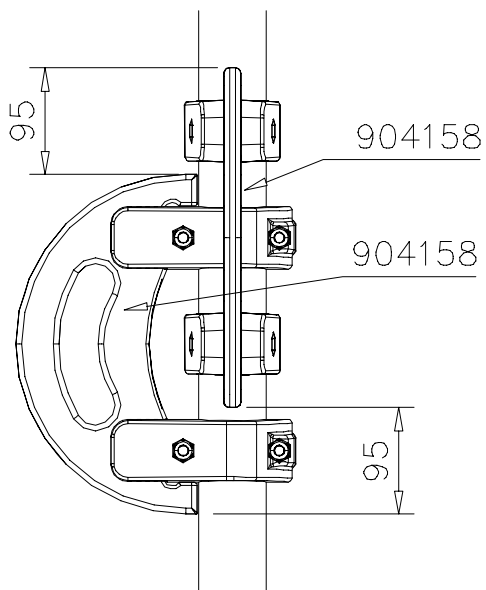
DET 1



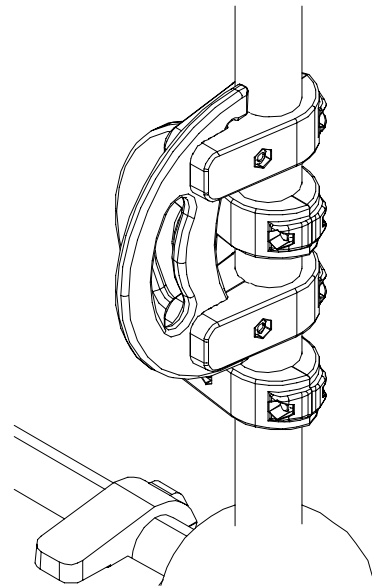
DET 2

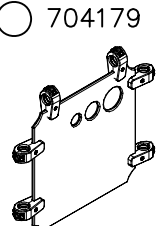
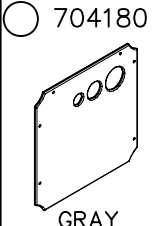
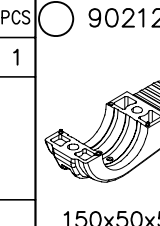
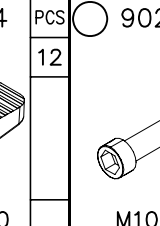
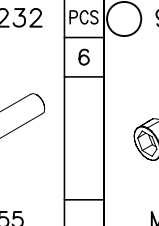
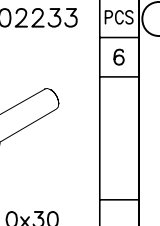
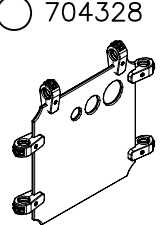
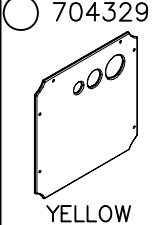
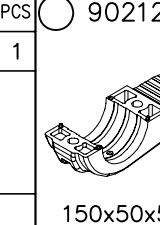
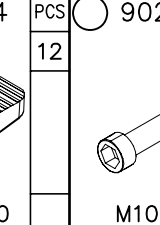
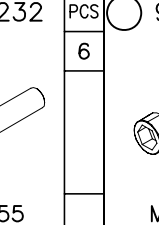
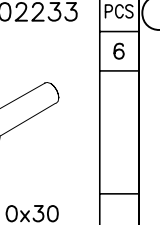
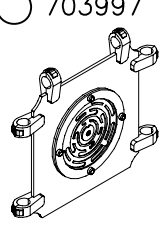
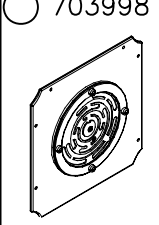
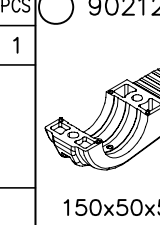
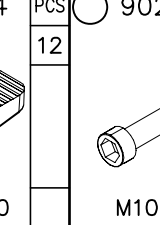
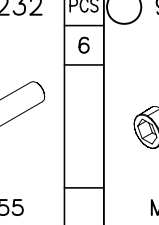
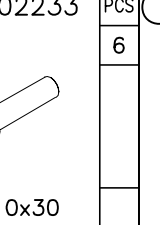
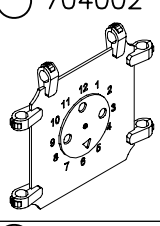
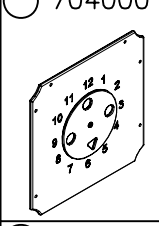
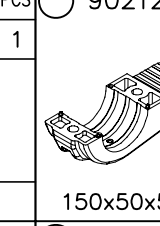
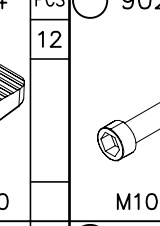
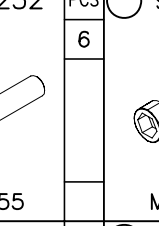
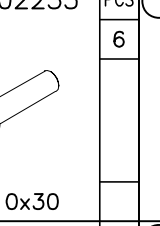
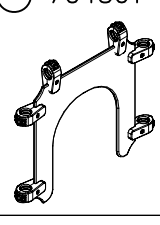
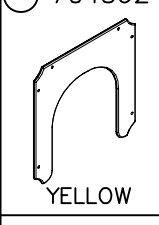
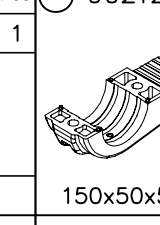
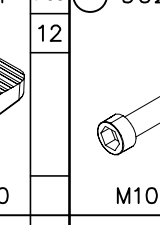
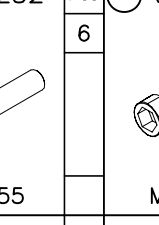
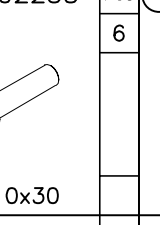


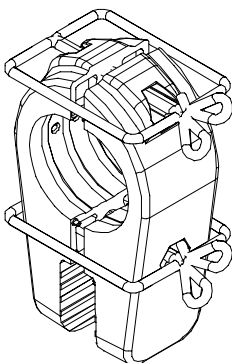
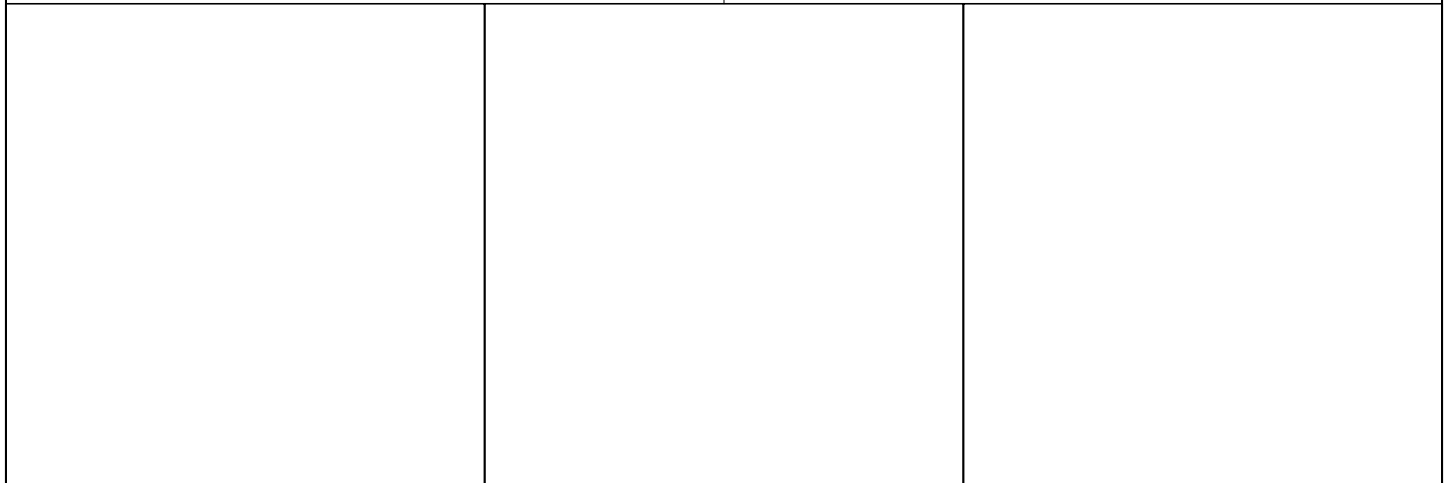
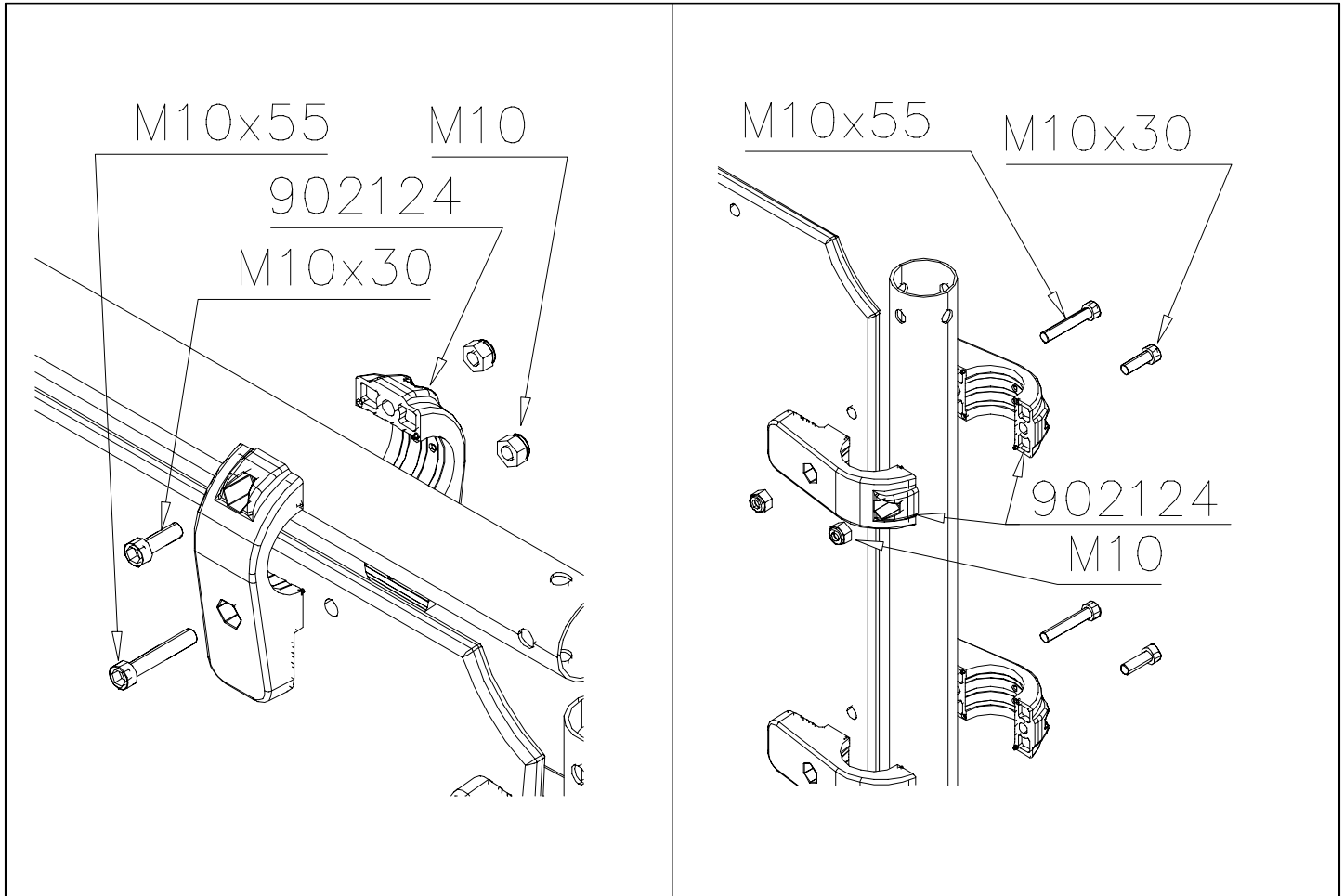
DET 3



DET 4



	 GRAY	PCS 1	 150x50x50	PCS 12	 M10x55	PCS 6	 M10x30	PCS 6	 M10	PCS 12		PCS
	 YELLOW	PCS 1	 150x50x50	PCS 12	 M10x55	PCS 6	 M10x30	PCS 6	 M10	PCS 12		PCS
		PCS 1	 150x50x50	PCS 12	 M10x55	PCS 6	 M10x30	PCS 6	 M10	PCS 12		PCS
		PCS 1	 150x50x50	PCS 12	 M10x55	PCS 6	 M10x30	PCS 6	 M10	PCS 12		PCS
	 YELLOW	PCS 1	 150x50x50	PCS 12	 M10x55	PCS 6	 M10x30	PCS 6	 M10	PCS 12		PCS
		PCS		PCS		PCS		PCS		PCS		PCS
		PCS		PCS		PCS		PCS		PCS		PCS
		PCS		PCS		PCS		PCS		PCS		PCS

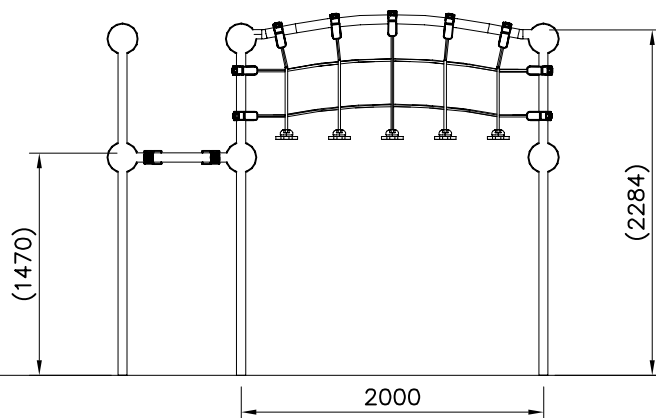
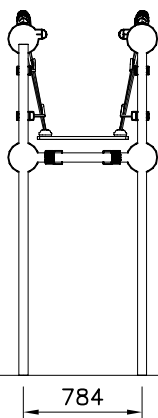
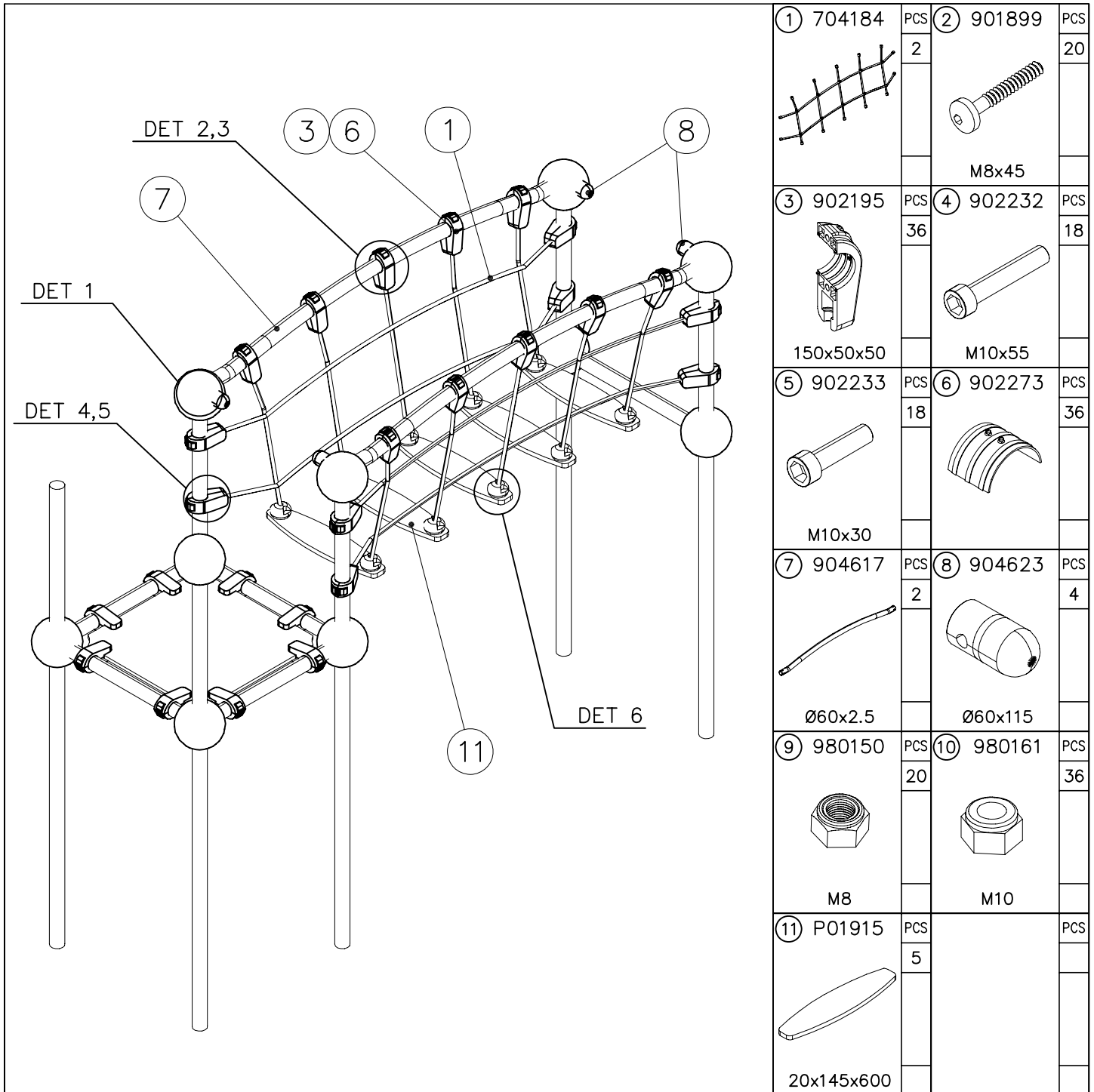


NOTE:

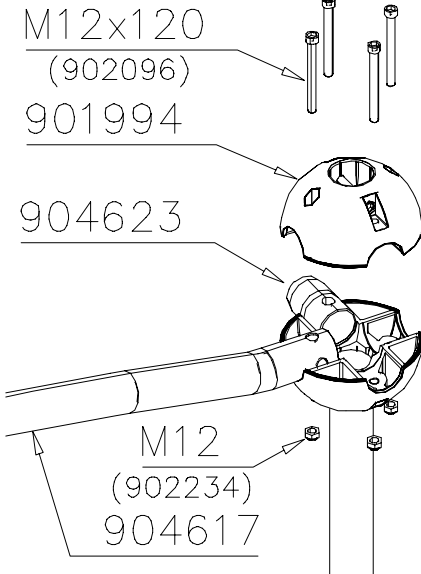
Use a wire marked pairs of the same junction.

Huom!

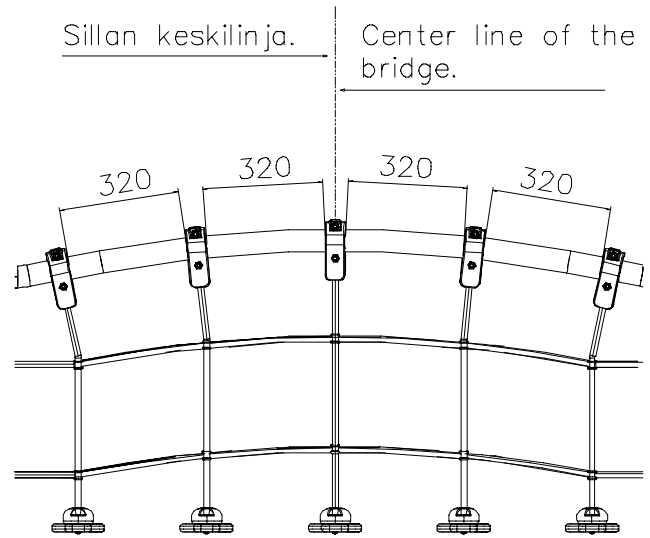
Käytä langalla merkittyä paria samassa liitoksessa.



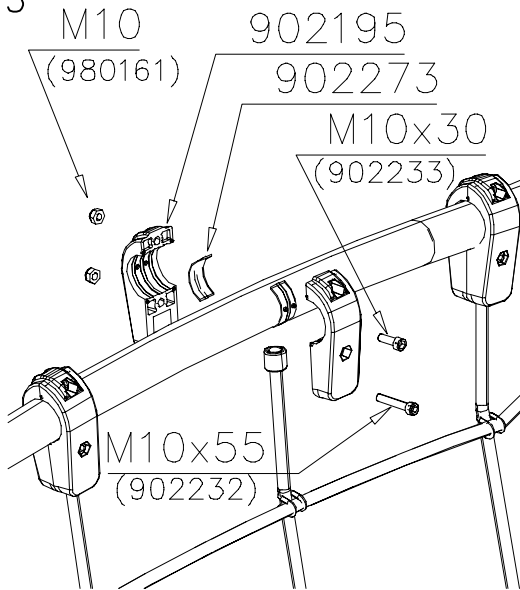
DET 1



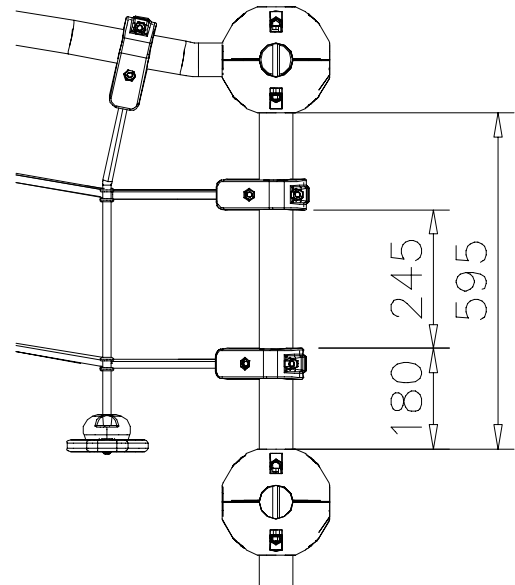
DET 2



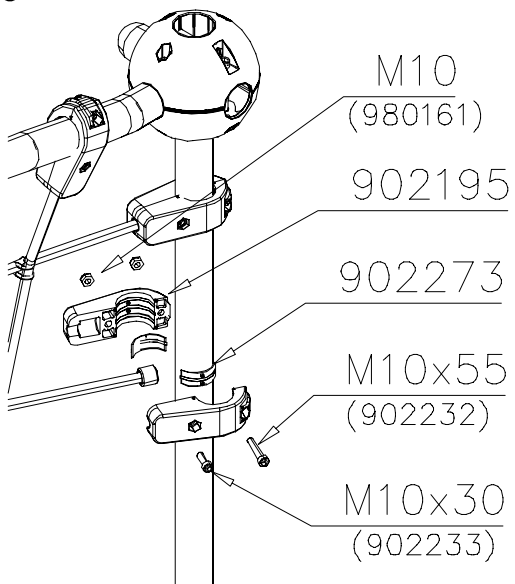
DET 3



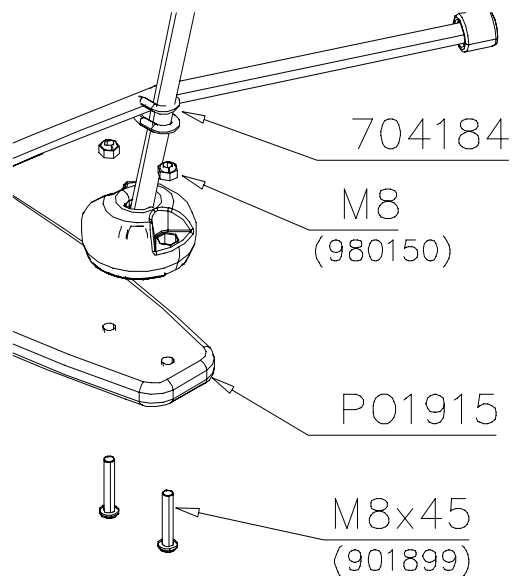
DET 4

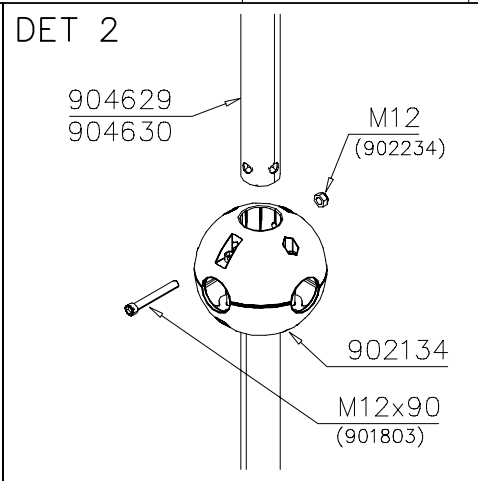
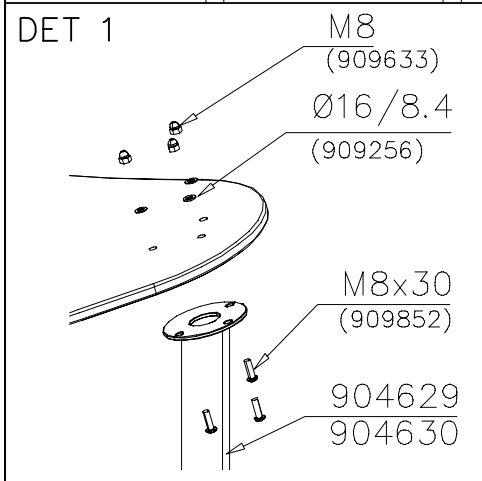
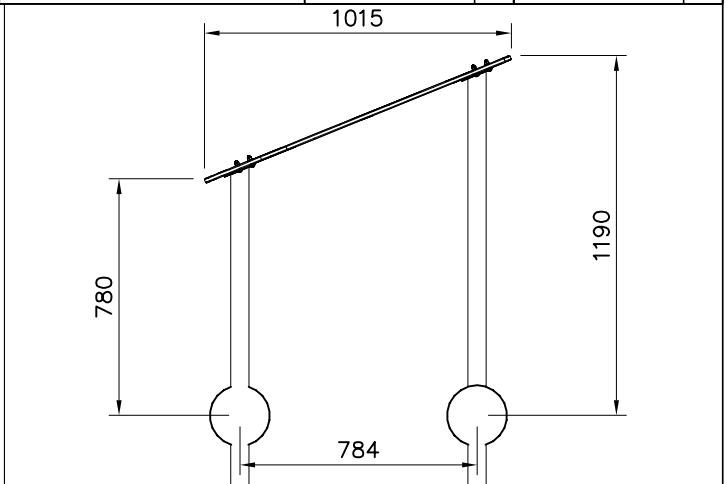
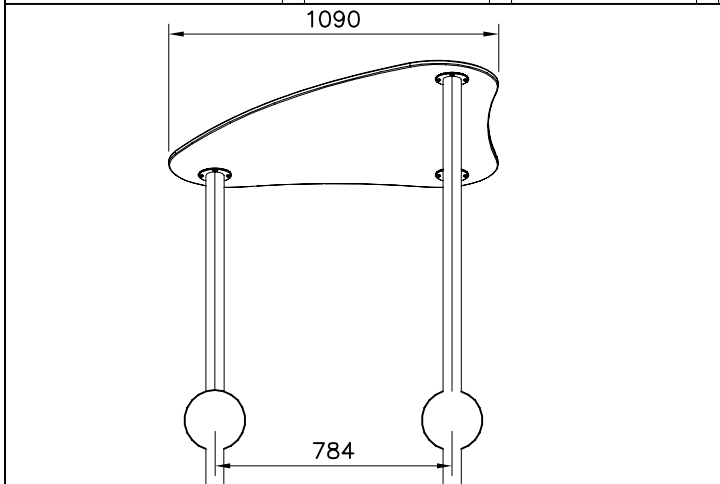
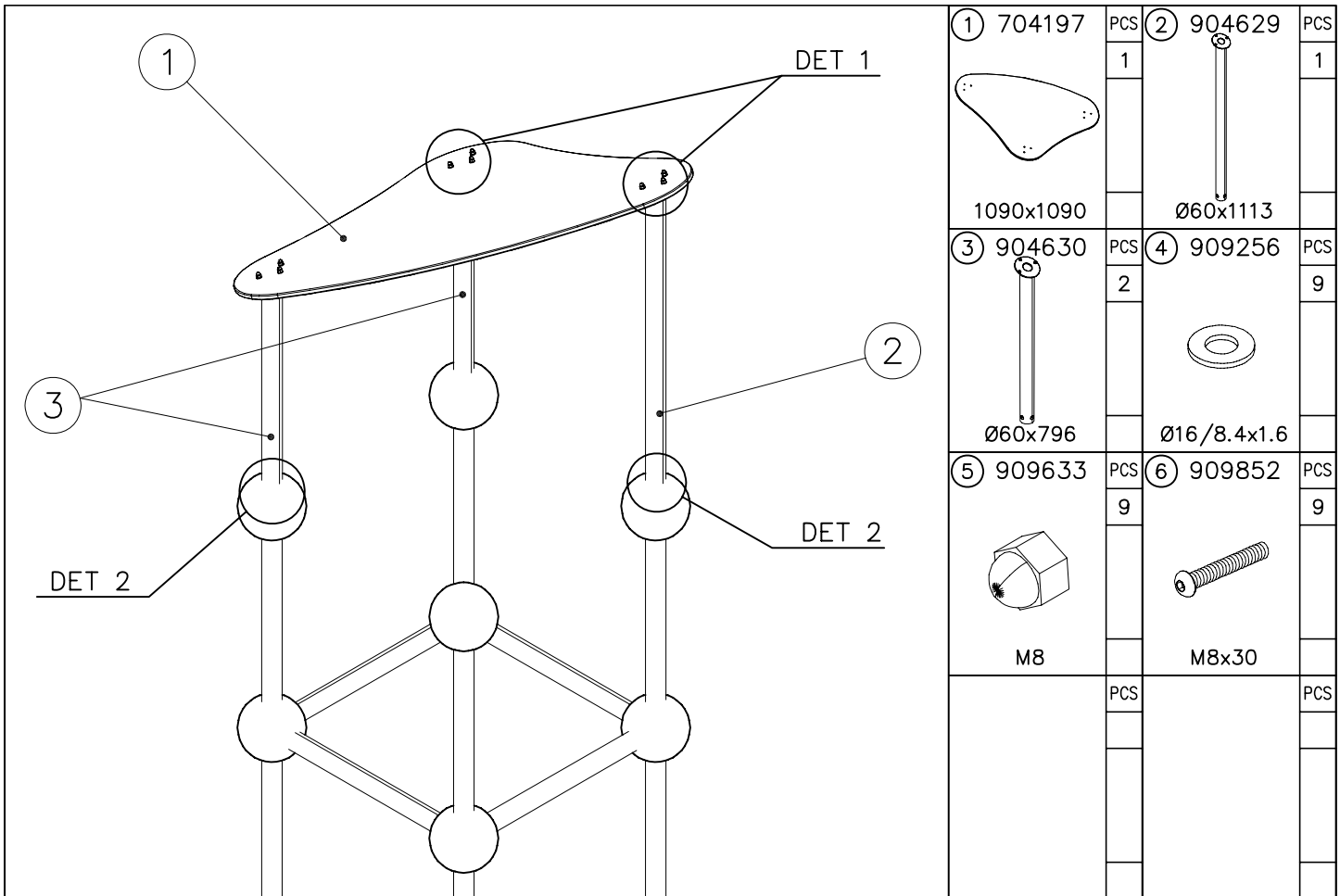


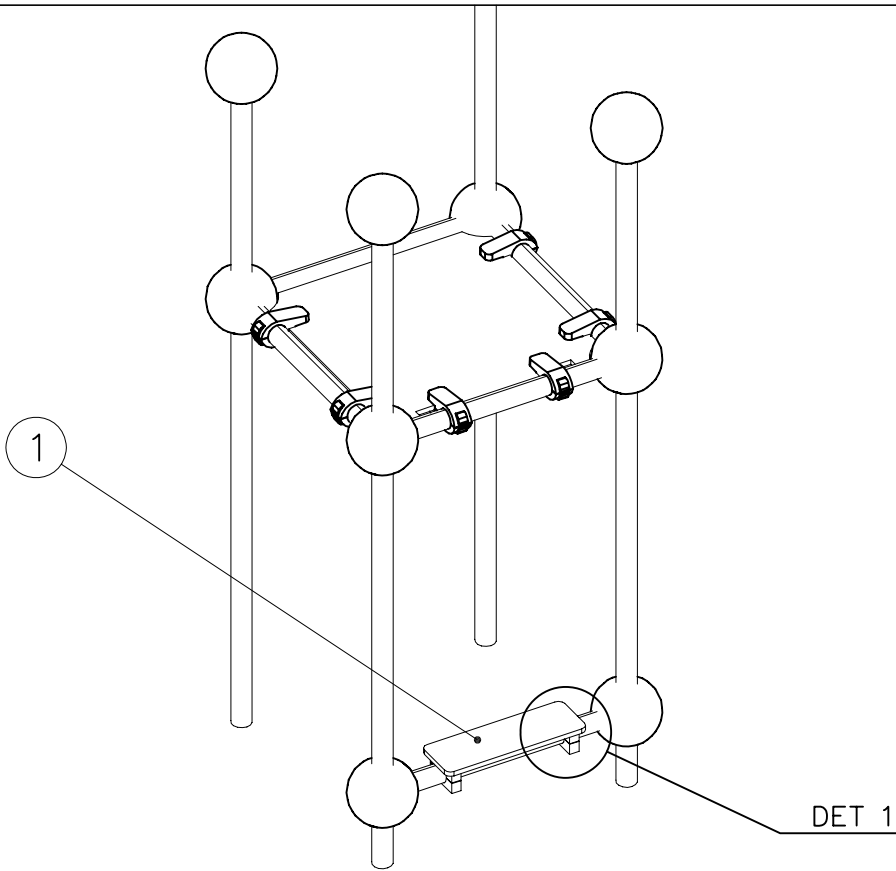
DET 5



DET 6







① 704333	PCS	② 902454	PCS
	1		4
③ 909111	PCS	④ 909644	PCS
	4		4
M12x100		M12	
⑤ 980154	PCS		PCS
	4		
Ø24/13			
	PCS		PCS
	PCS		PCS

