



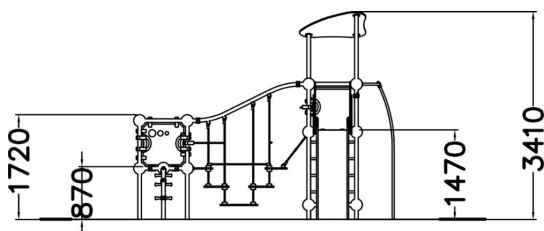
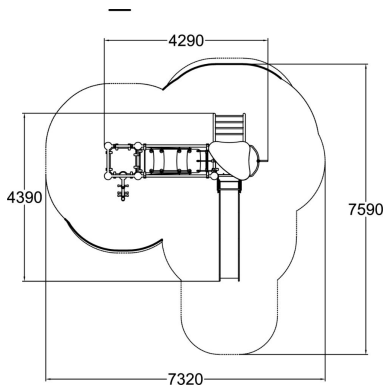


-  Climbing  
3
-  Roofs  
1
-  Slides  
2
-  Towers  
2



Radon is a large and diverse playground set that is bound to inspire all little climbers. A lower (870 mm) and a higher (1,470 mm) tower make it exciting, and various different climbing elements work together to diversely develop the children's motor skills. There is a fun suspension bridge for safe passage between the towers. The taller tower can also be accessed by a ladder, and the exhilarating descent at high speed is via the slide or a fireman's pole. Beneath the slide there is a seat for having a rest when necessary.



User age	3+
Number of users	10
Product length, mm	4290
Product width, mm	4390
Product height, mm	3410
Impact area, m <sup>2</sup>	36.5
Falling space, m <sup>2</sup>	37.1
Height required, mm	3410
Max. free fall height, mm	1470
Safety info	EN 1176-1, 3 TÜV
Installation time (for 1), H	22
Foundation options	deep_mounting surface_mounting