

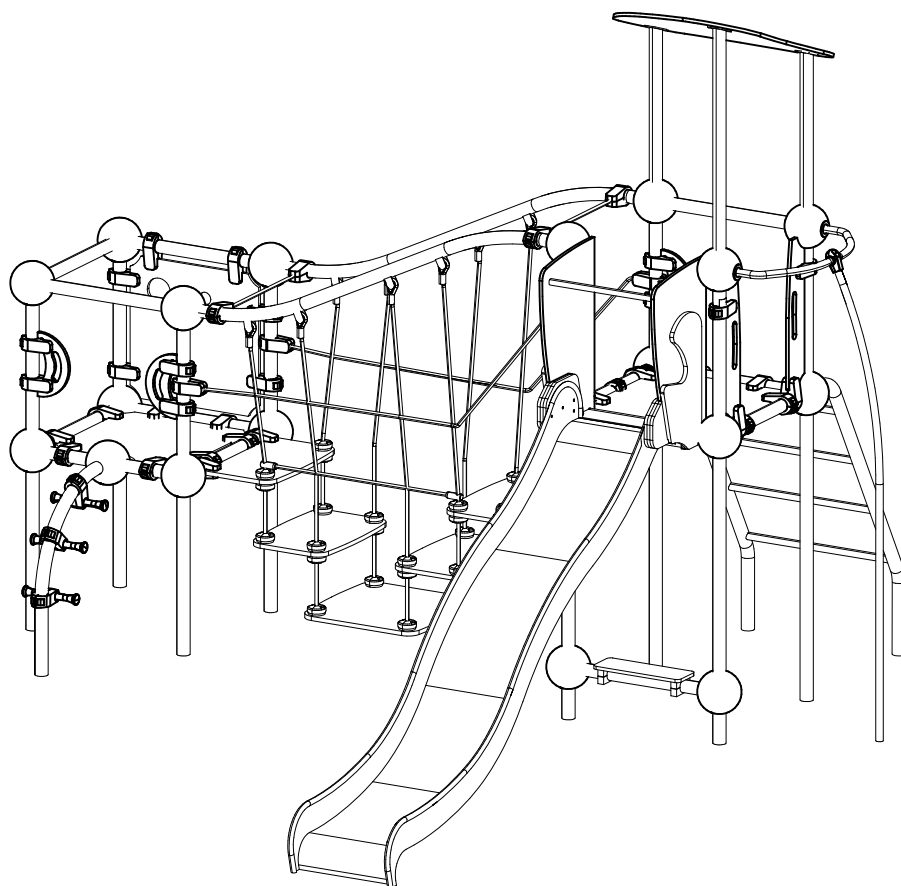
LAPPSET®

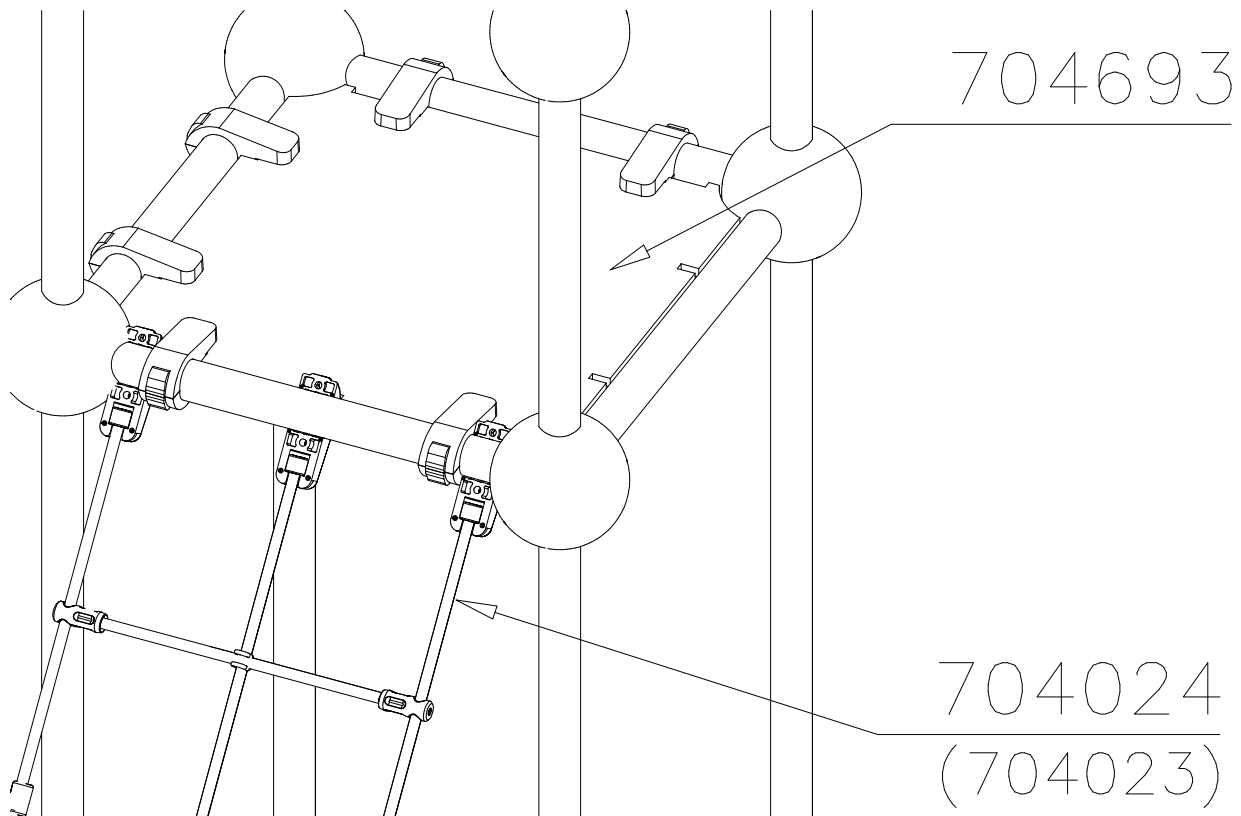
CLOXX

ASENNUSOHJE
MONTERINGSANSVISNING
INSTALLATION INSTRUCTION
AUFBAUANLEITUNG
NOTICE D'INSTALLATION

DATE: 26.2.2019

220316





Huom!

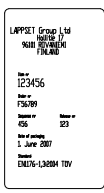
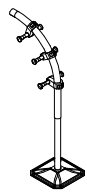
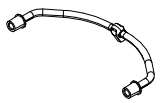

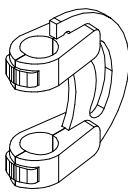
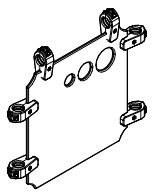
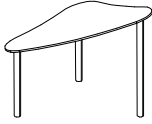
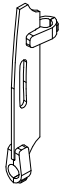
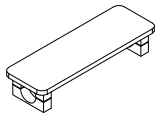
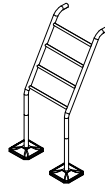
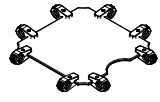
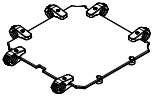
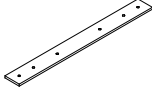
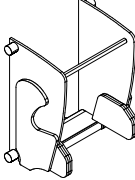
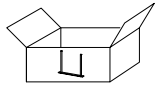
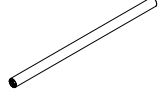
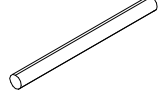
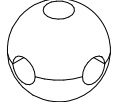
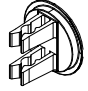





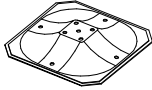
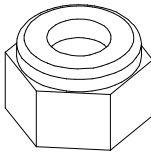
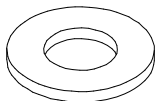
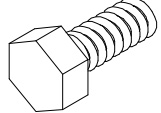
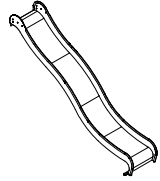
Asennusjärjestys:

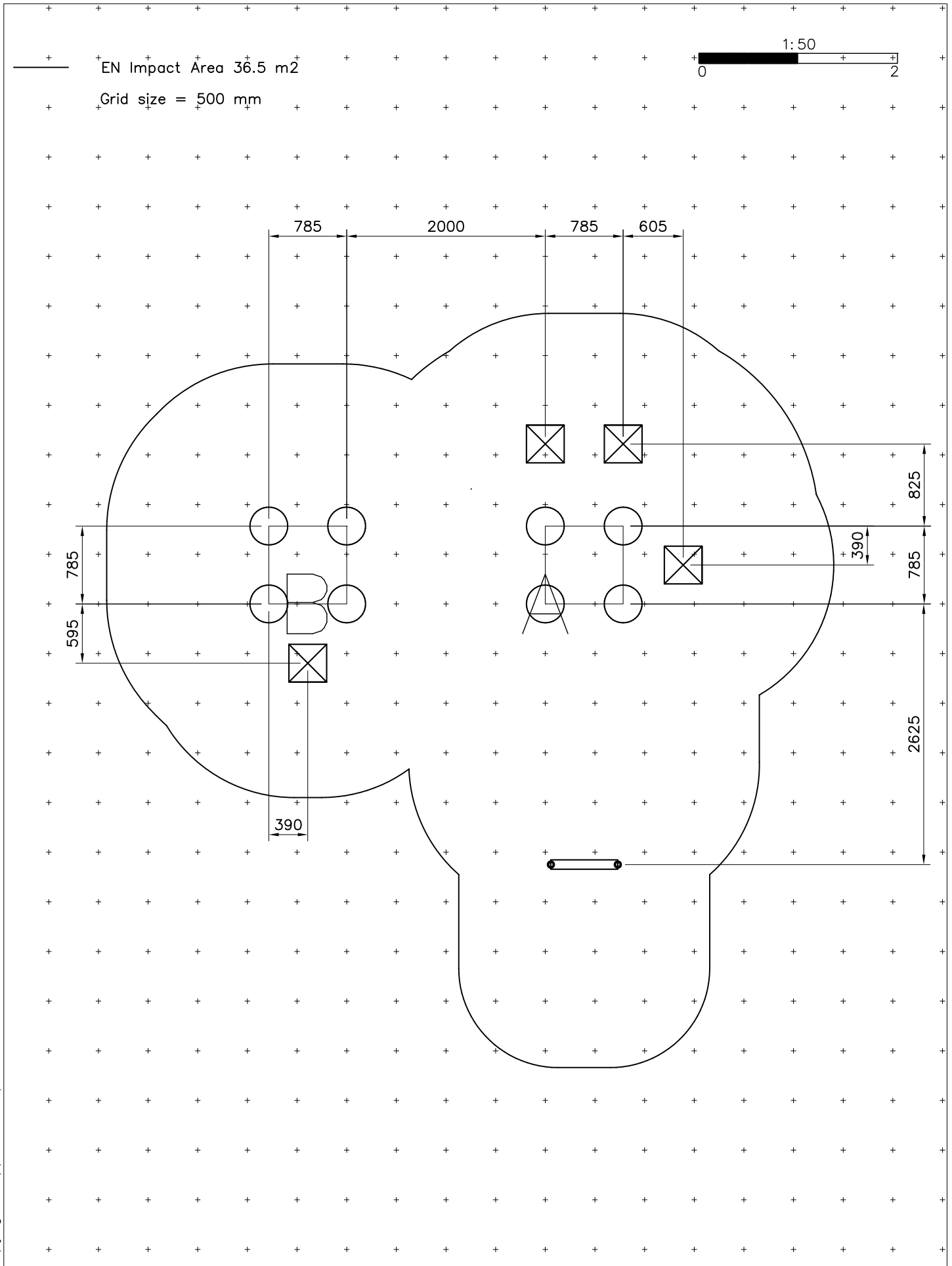
Osan 704024 muovikiinnikkeet on asennettava ennen lattiaa 704693.

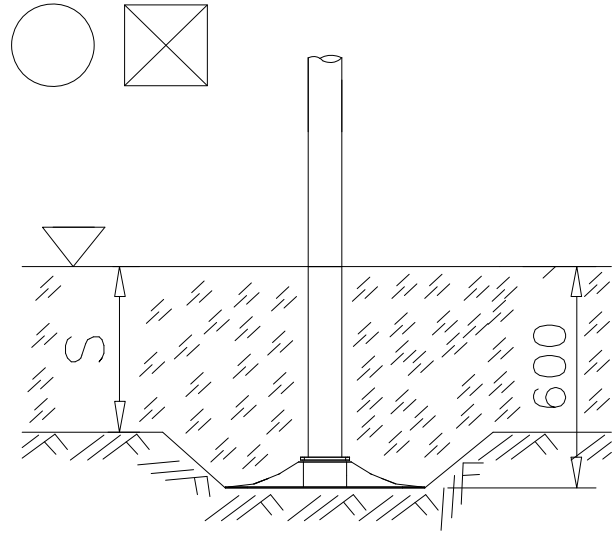
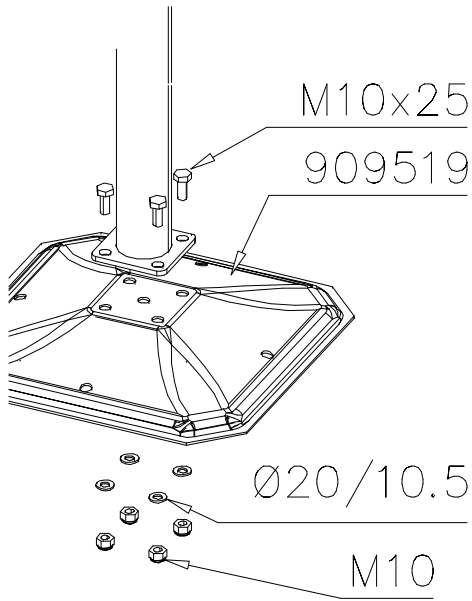
Important note:

The installation sequence.

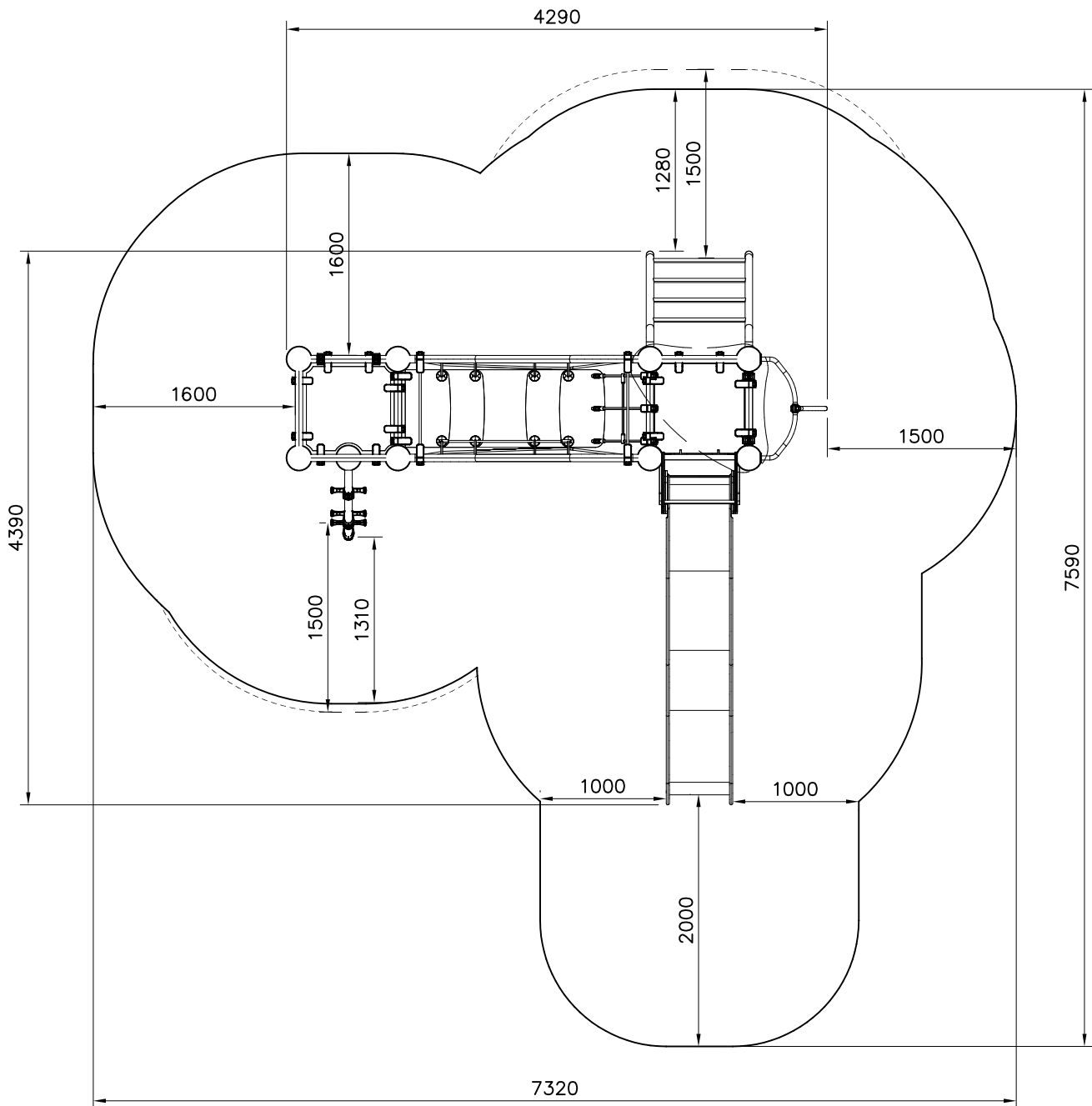
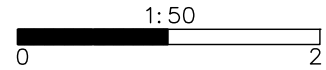
Part 704024 plastic fastenings will be installed before the floor 704693.

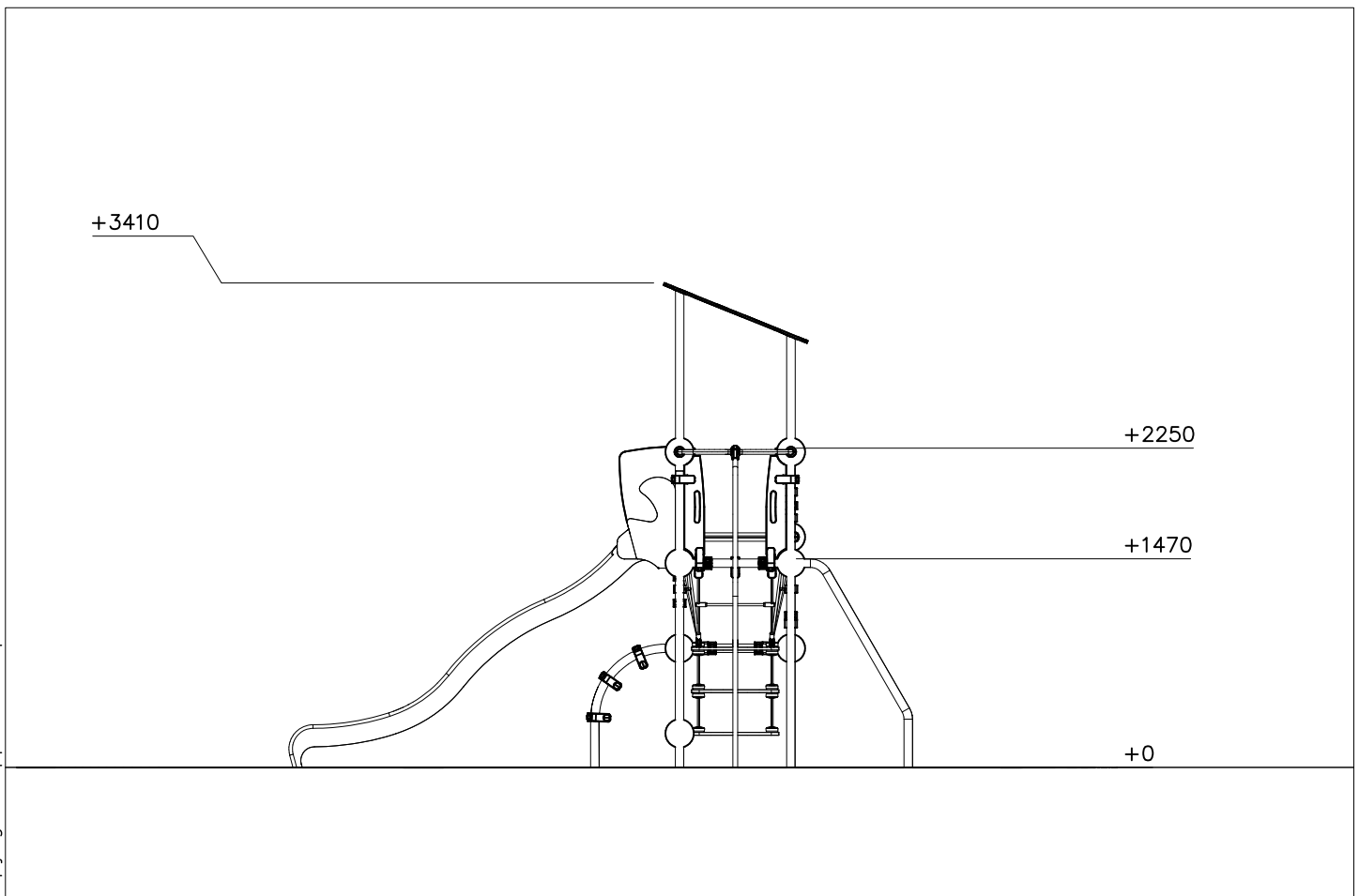
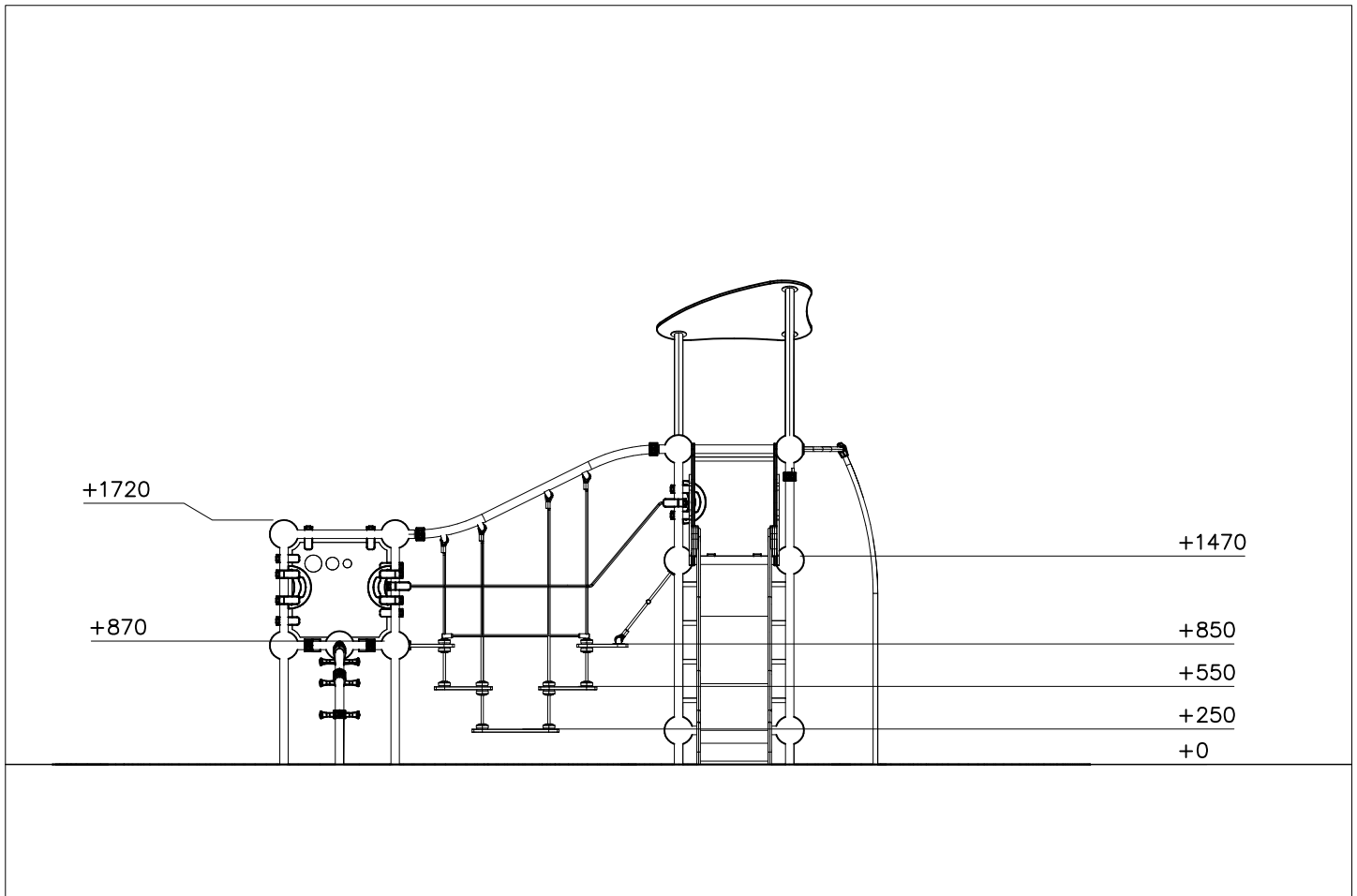
| | | | | | | | | | | | |
|--|-----------|---|-----------|---|-----------|---|-----------|--|-----------|---|-----------|
| <p>702341</p>  <p>90x50</p> | PCS 1 | <p>704014</p>  | PCS 1 | <p>704015</p>  | PCS 1 | <p>704023</p>  | PCS 1 | <p>704159</p>  | PCS 3 | <p>704179</p>  | PCS 1 |
| <p>704199</p>  | PCS 1 | <p>704219</p>  | PCS 2 | <p>704332</p>  | PCS 1 | <p>704438</p>  | PCS 1 | <p>704678</p>  | PCS 1 | <p>704692</p>  | PCS 1 |
| <p>707133</p>  <p>10x80x745</p> | PCS 1 | <p>708858</p>  | PCS 1 | <p>709045</p>  | PCS 1 | <p>901868</p>  <p>Ø34x598</p> | PCS 2 | <p>902022</p>  <p>L 710</p> | PCS 11 | <p>902134</p>  | PCS 19 |
| <p>902157</p>  <p>60x60x2</p> | PCS 45 | <p>904455</p>  <p>L 2737</p> | PCS 2 | <p>904456</p>  <p>L 2737</p> | PCS 2 | <p>904505</p>  <p>L 2137</p> | PCS 4 | <p>904834</p>  <p>L 710</p> | PCS 1 | <p>904844</p>  <p>L 2758</p> | PCS 1 |
| <p>909519</p>  <p>380x380</p> | PCS 9 | <p>909637</p>  <p>M10</p> | PCS 36 | <p>909638</p>  <p>Ø20/10.5</p> | PCS 72 | <p>909639</p>  <p>M10x25</p> | PCS 36 | <p>909709</p>  <p>+1470</p> | PCS 1 | | PCS |
| | PCS | | PCS | | PCS | | PCS | | PCS | | PCS |
| | PCS | | PCS | | PCS | | PCS | | PCS | | PCS |

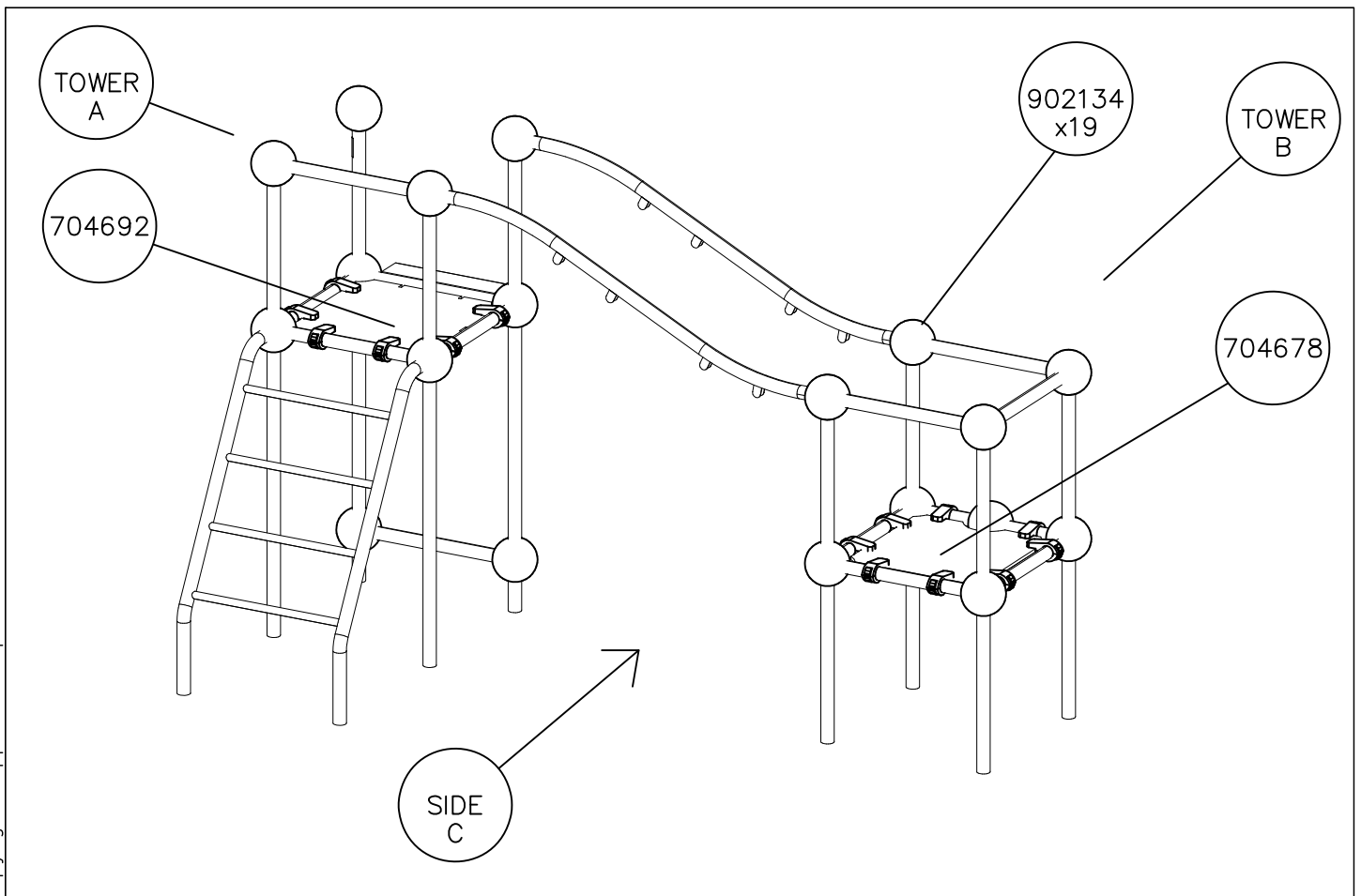
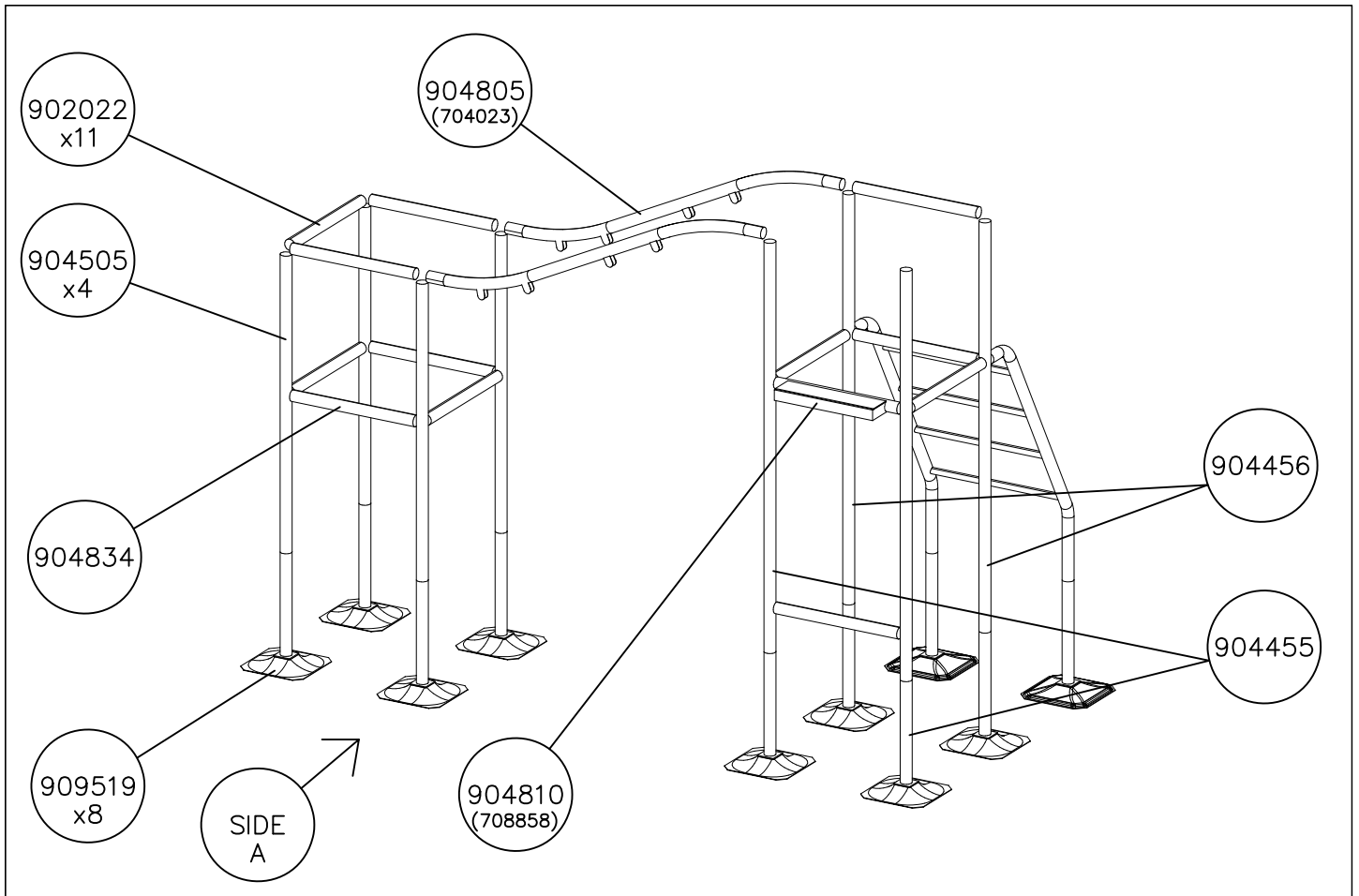


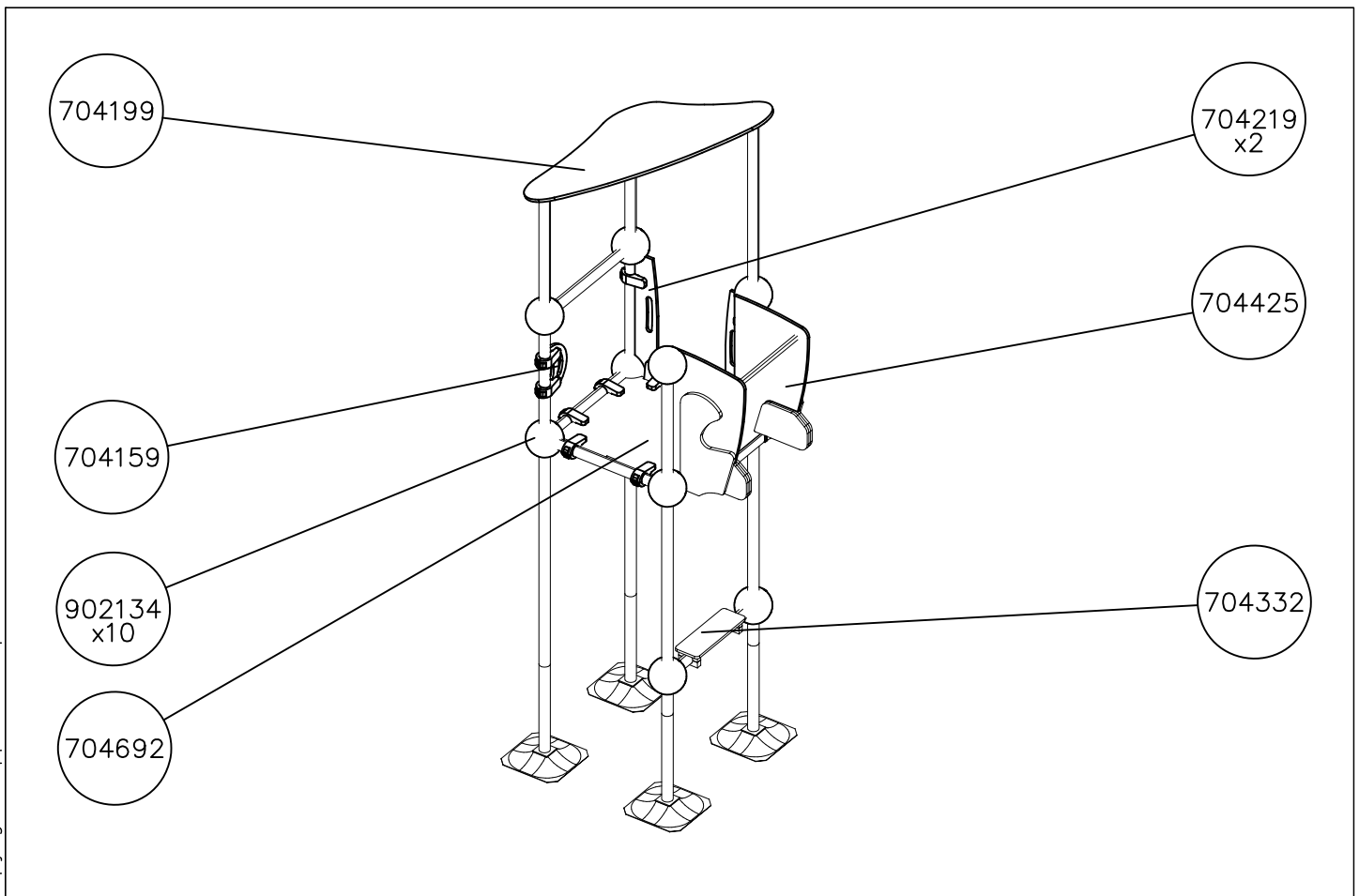
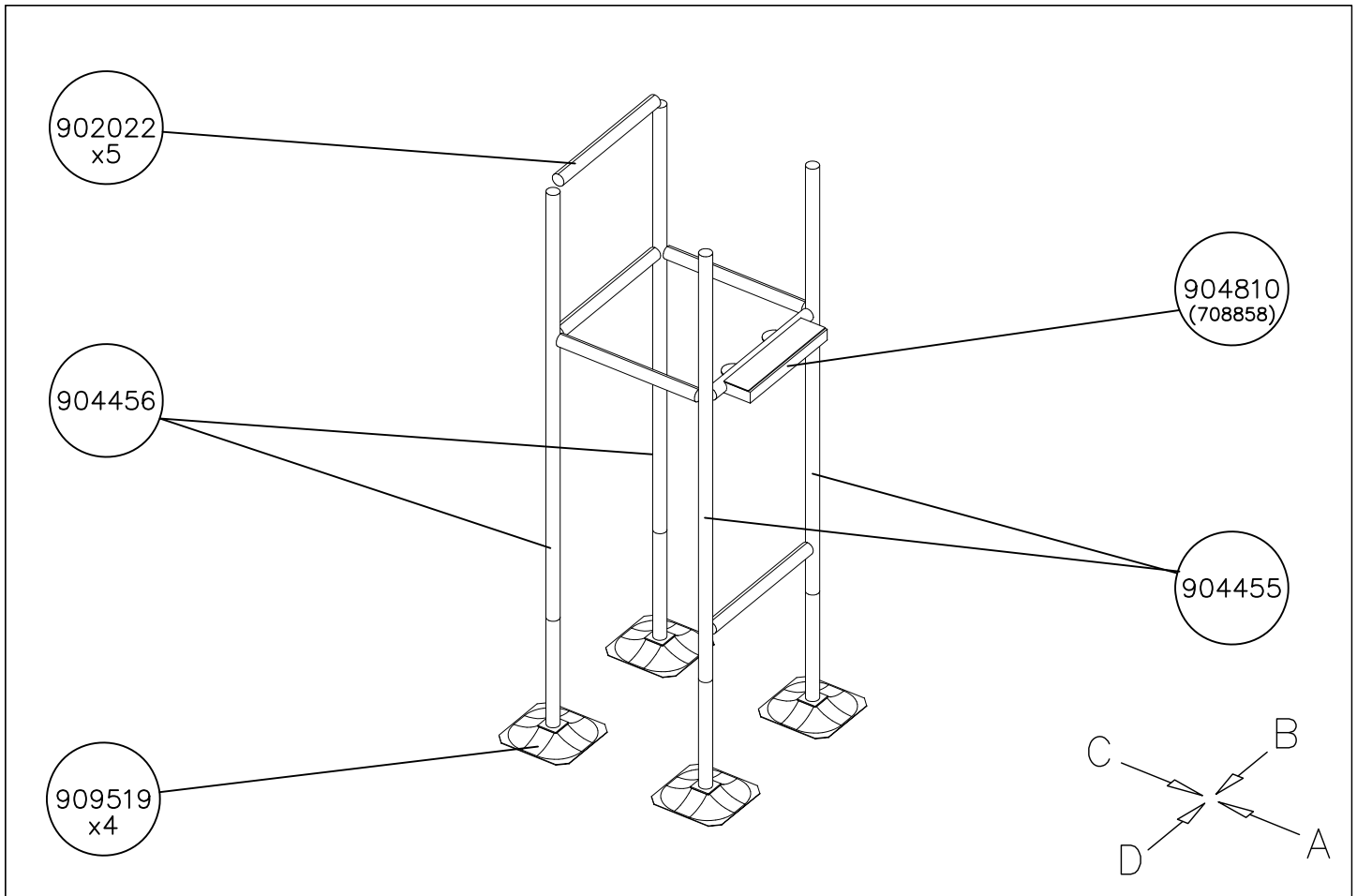


— EN Impact Area 36.5 m²
- - - Falling Space 37.3 m²
Max Falling Height 1470 mm



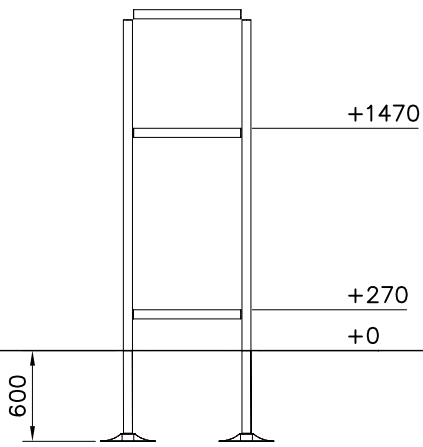




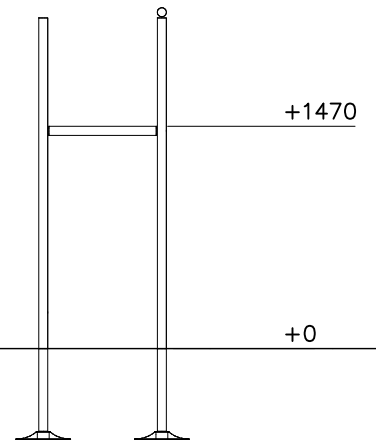


1:50

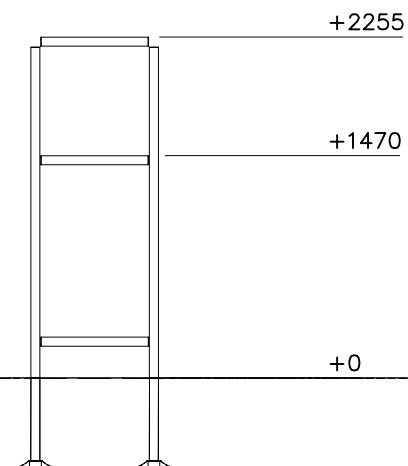
(A)



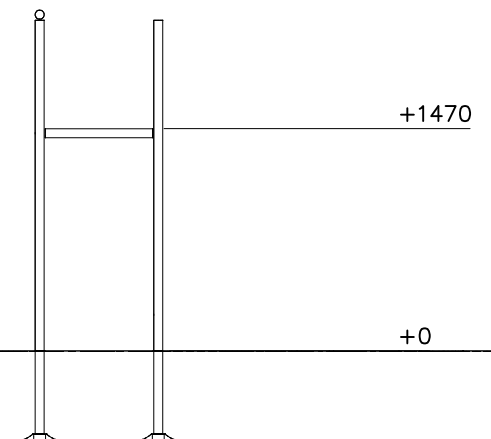
(B)

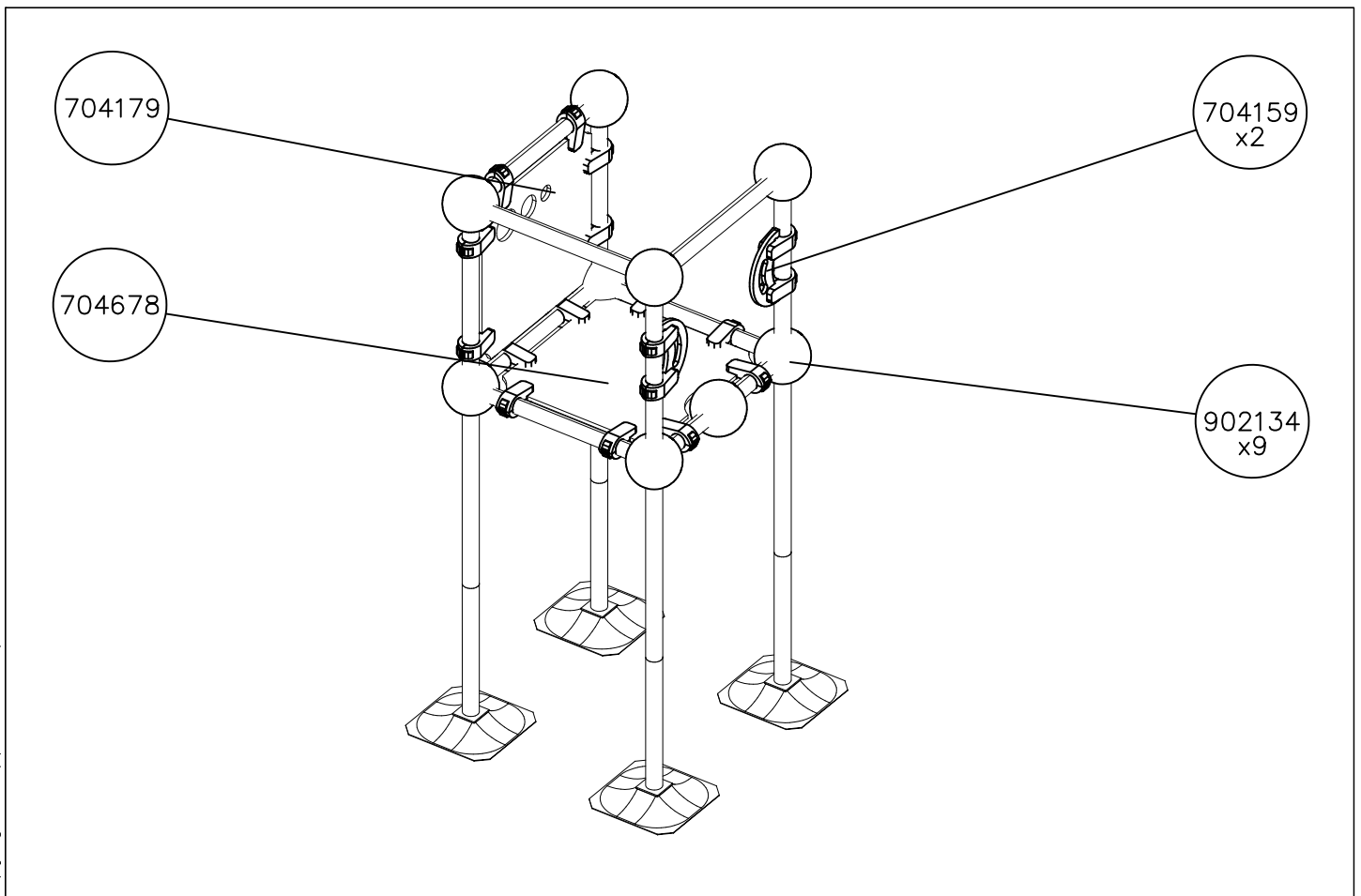
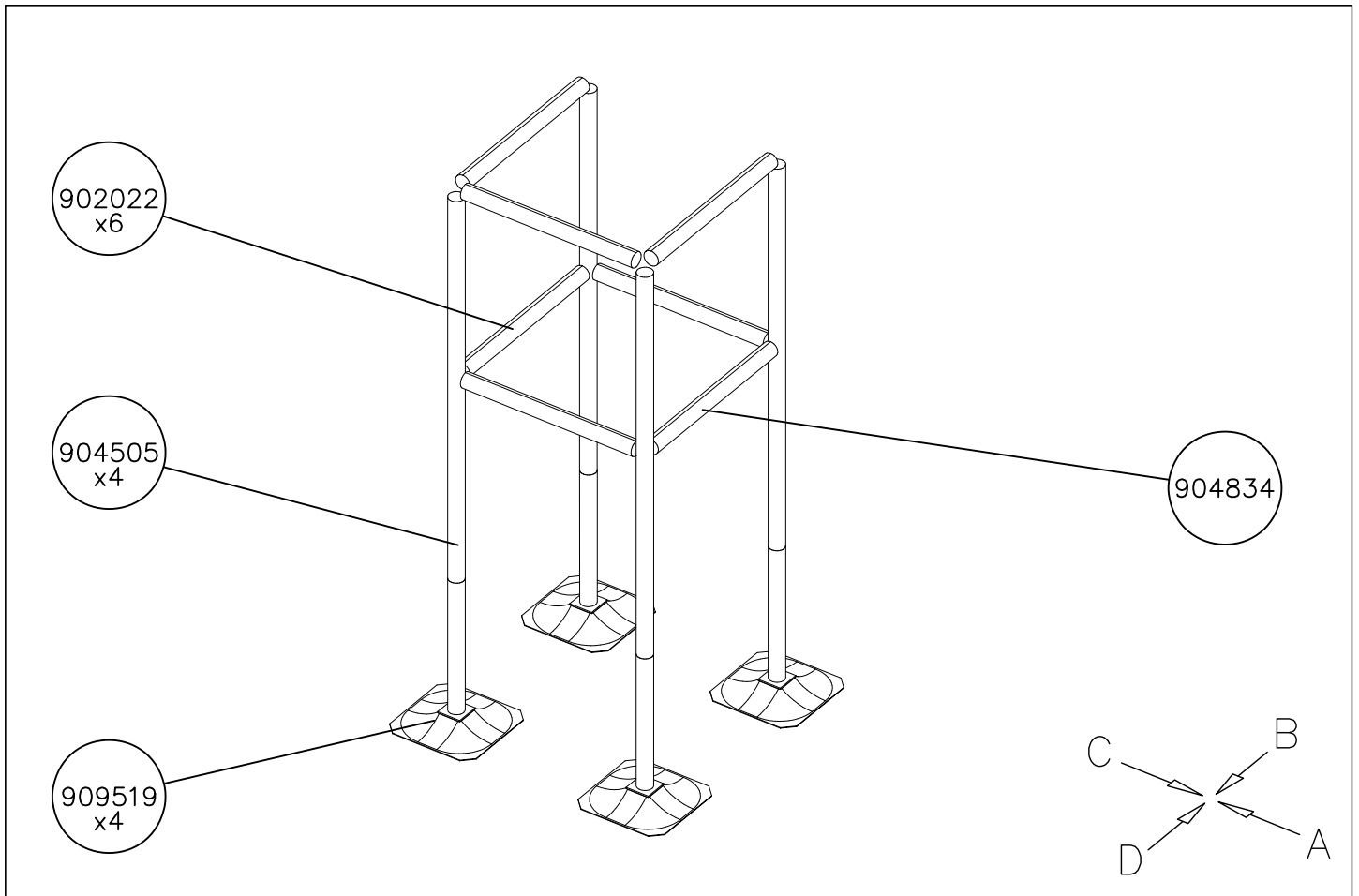


(C)

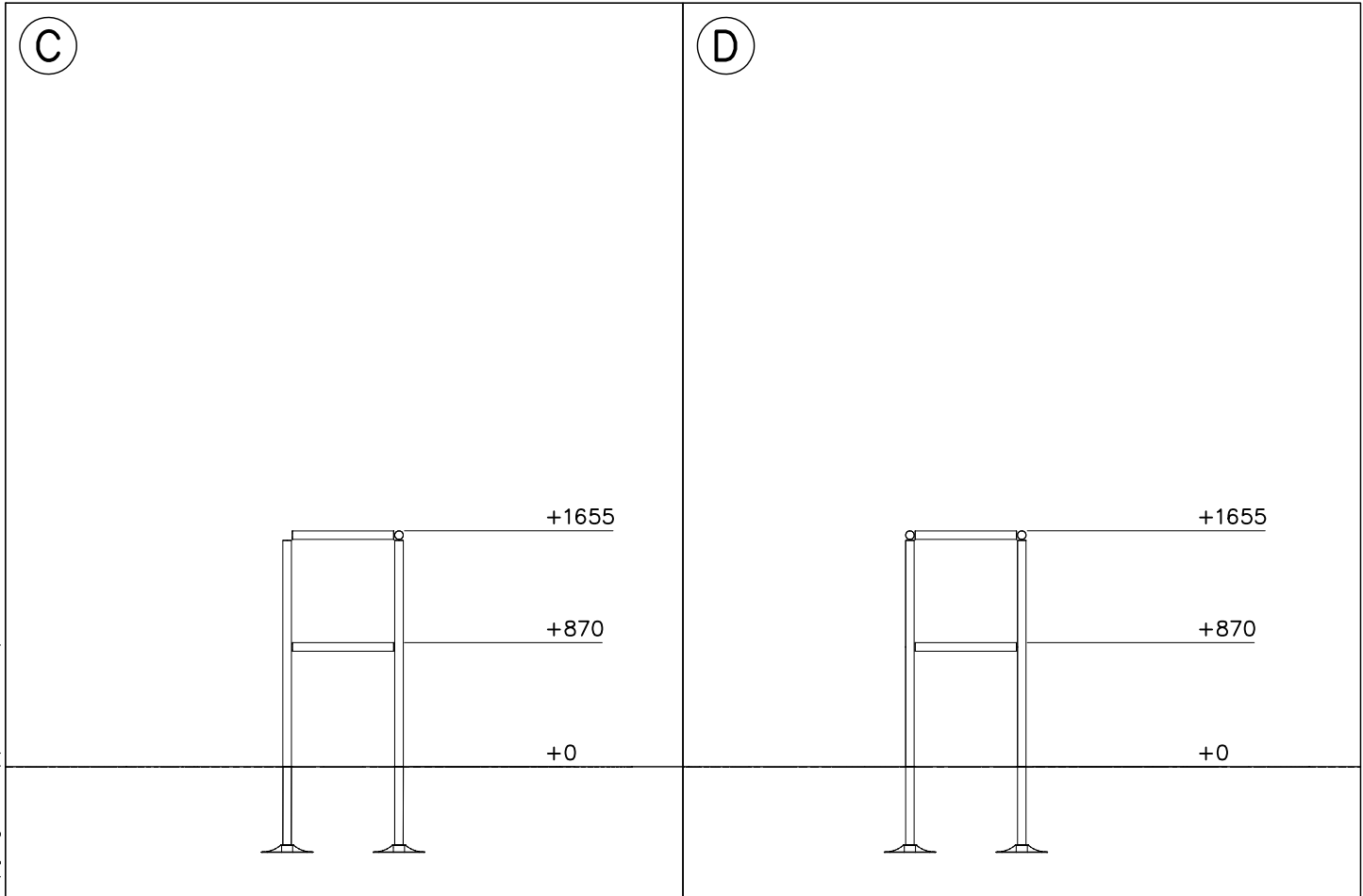
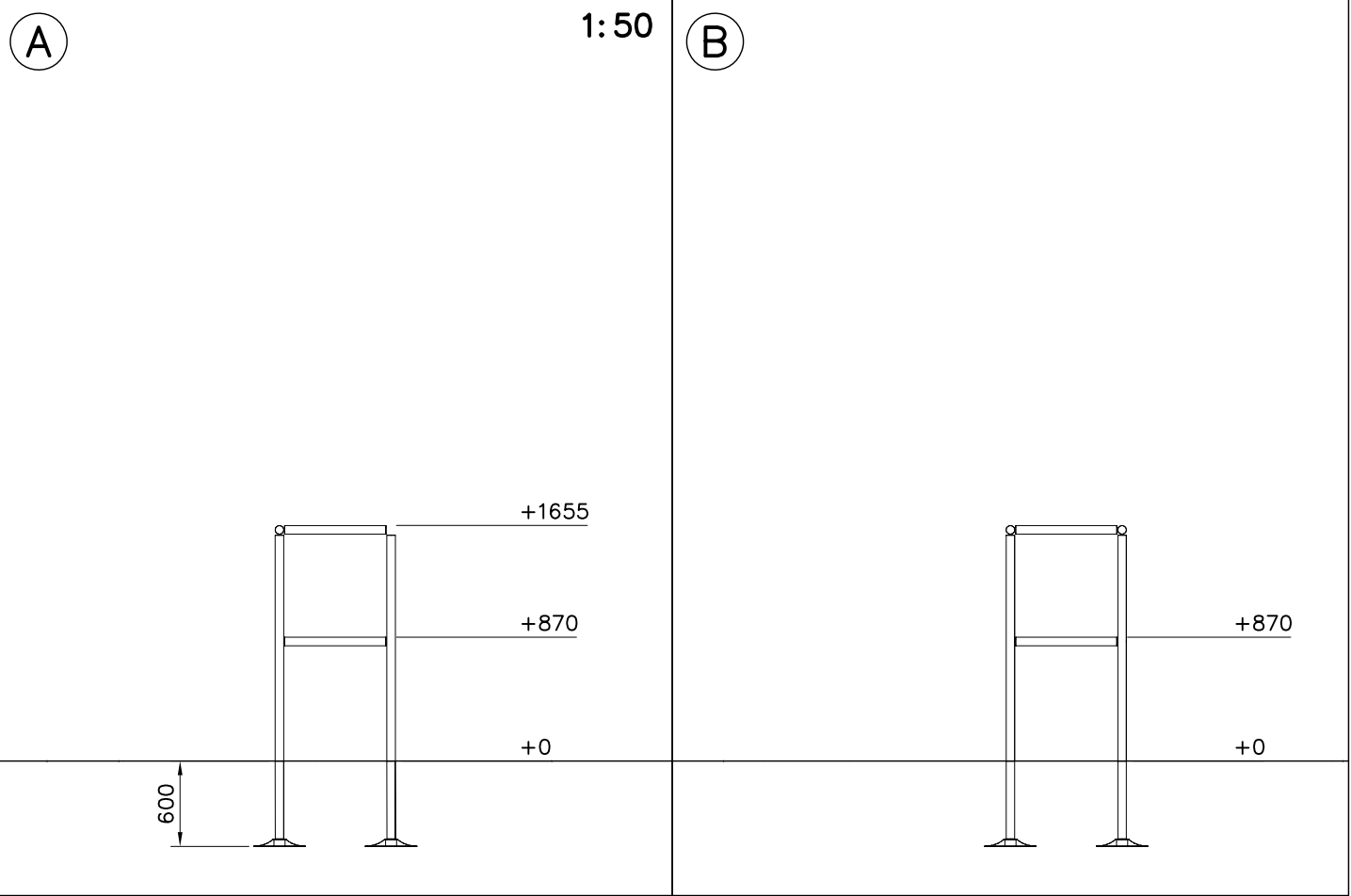


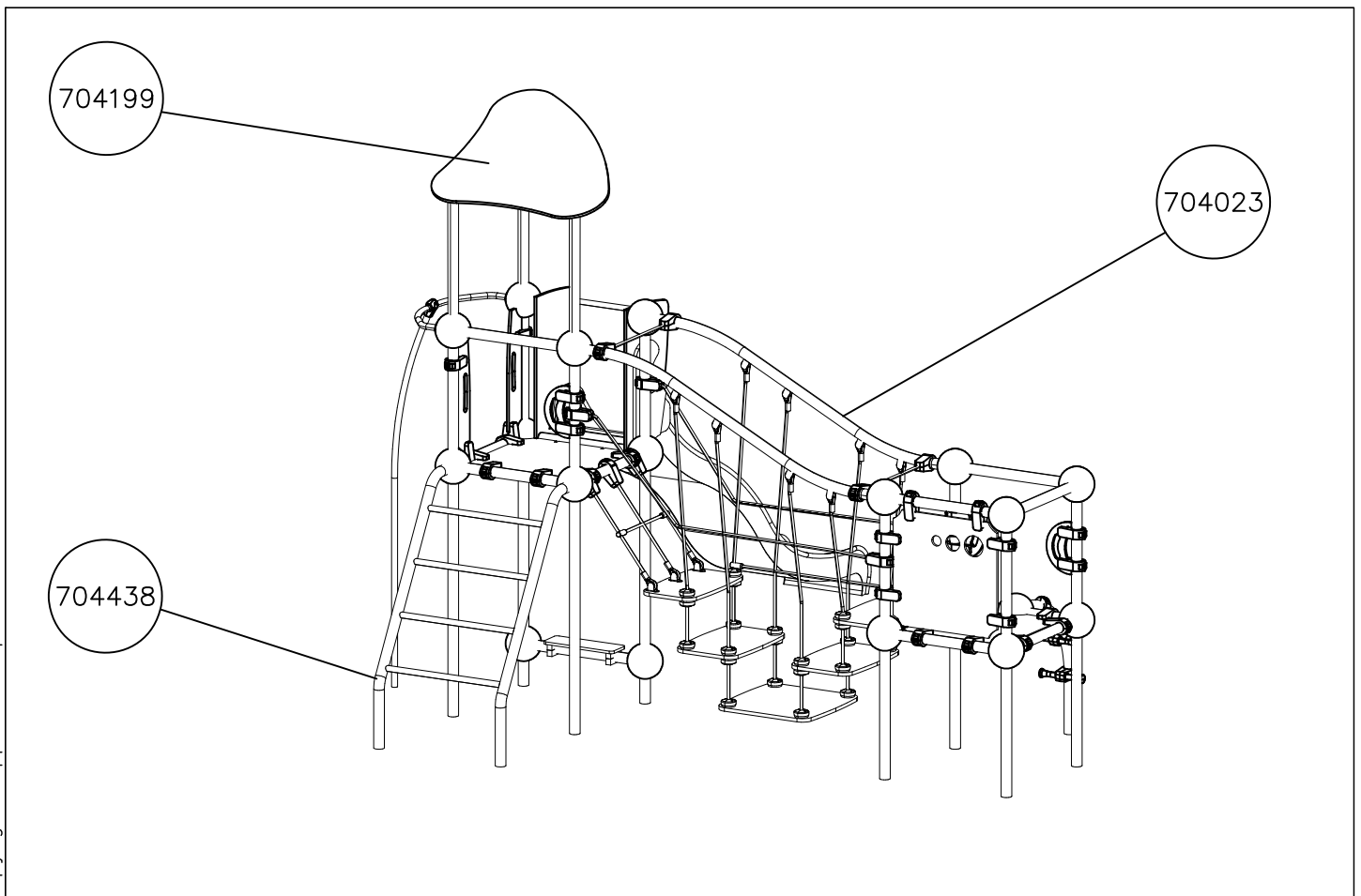
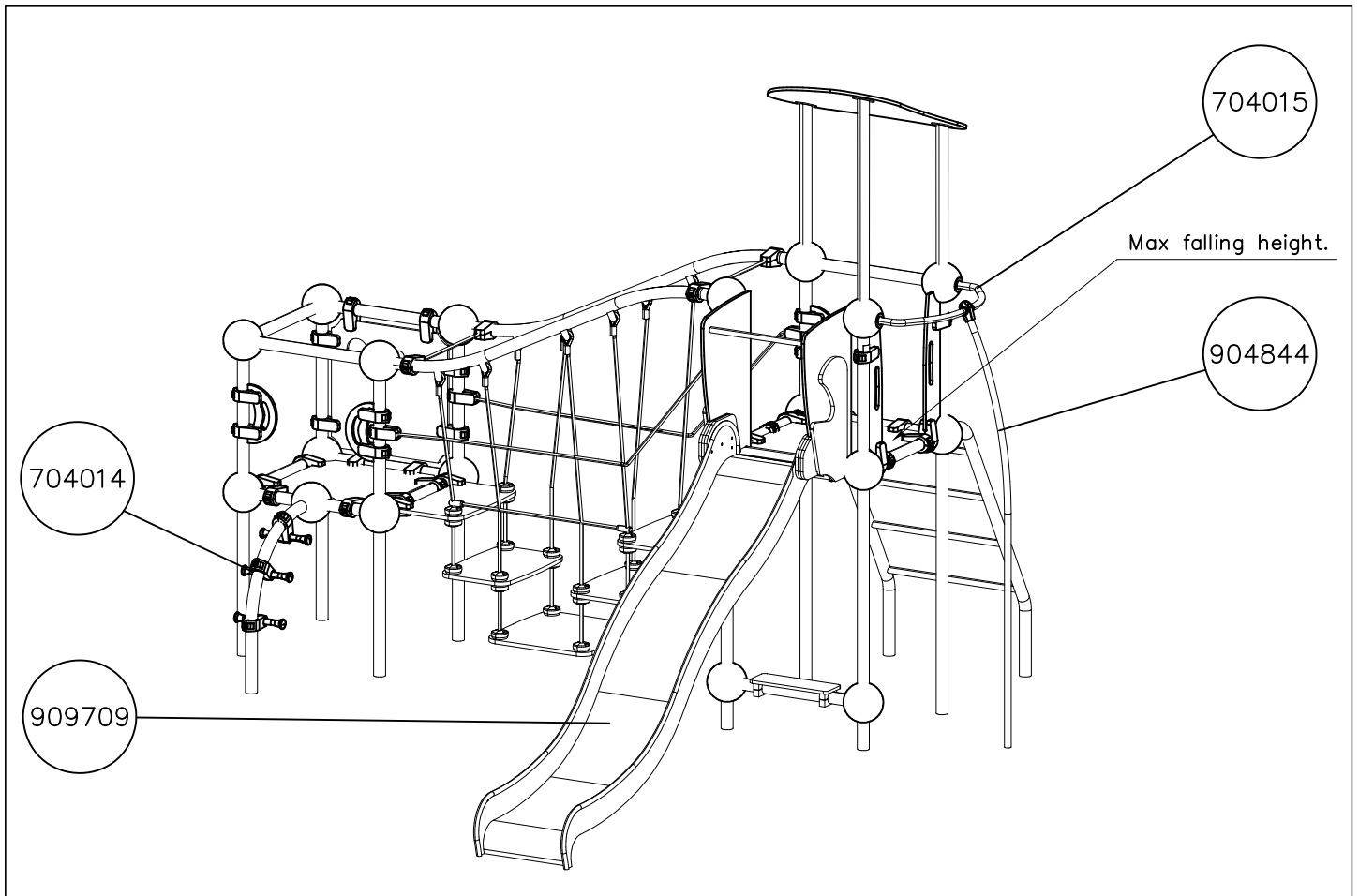
(D)

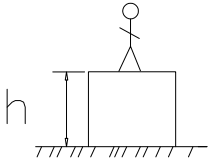



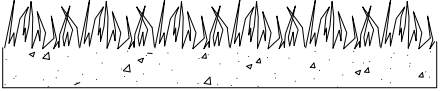
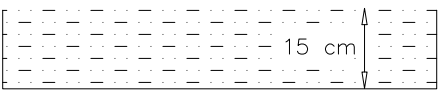
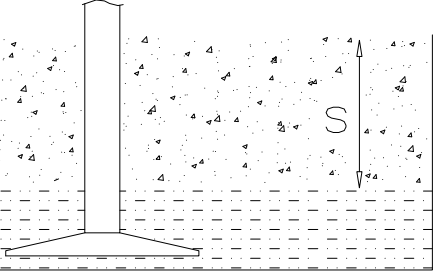
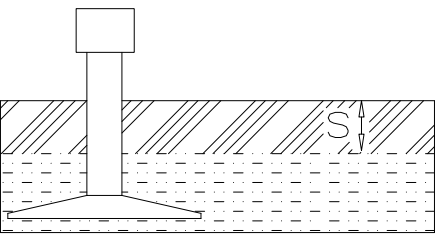




DATE: 26.2.2019





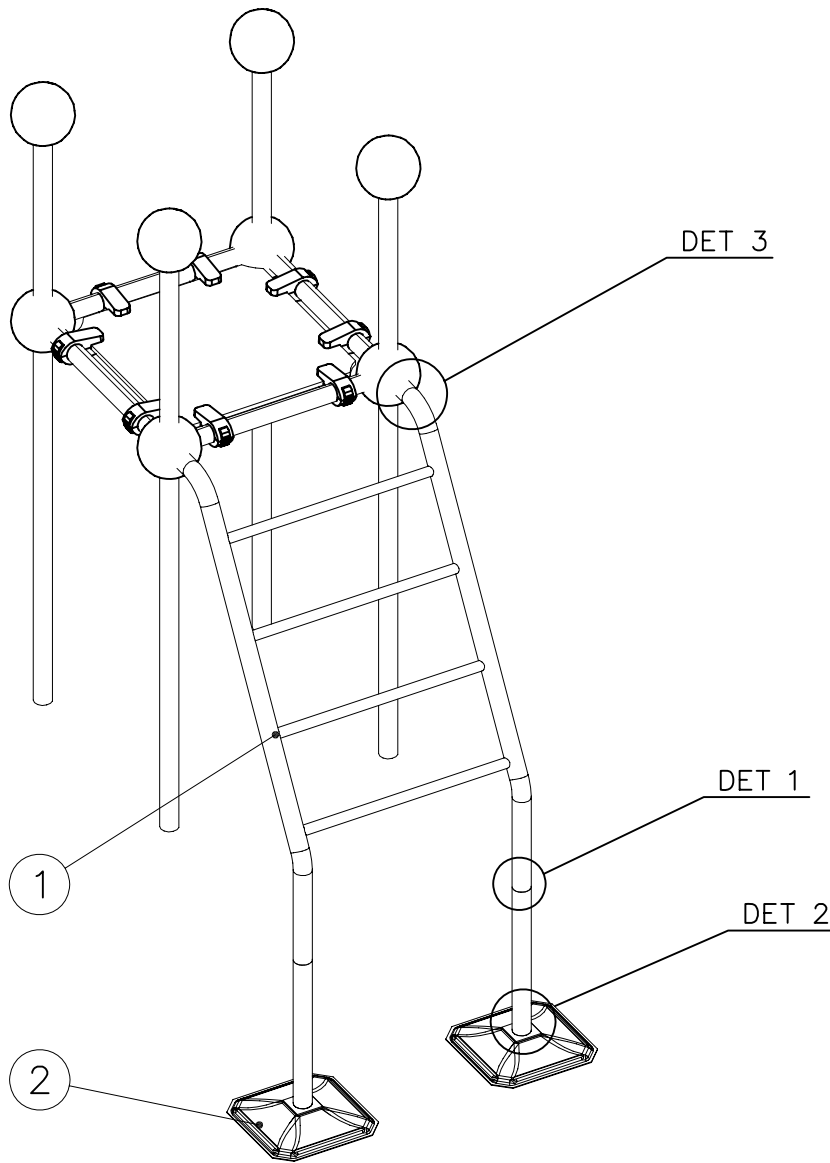
| | | | | | | | | | | | | |
|---|--|---|-----------------|-----------------|----------------|---------|----------------|---------|----------------|-------|----------------|---|
|  | | | | | | | | | | | | |
| <p>$h < 600$</p> <p>Without movement and therefore without Impact Area</p> | <p>Totally hard surfaces.</p> <p>Note. Lappset does <u>not recommend</u> totally hard surfaces at all.</p> | <p>E.g. concrete or asphalt</p>  | | | | | | | | | | |
| <p>$h < 600$</p> <p>With movement e.g. rocking</p> | <p>Materials with very limited impact attenuating properties.</p> | <p>E.g. wood</p>  | | | | | | | | | | |
| <p>$h < 1000$</p> | <p>Materials with significant impact attenuating properties.</p> | <p>fine gravel 0–8 mm</p>  <p>grass</p>  <p>unsorted sand</p>  | | | | | | | | | | |
| <p>$h < 3000$</p> | <p>Loose fill material</p> <p>E.g. sand/gravel 0,25...8 mm D60/D10<3,0 Woodchips 5...30 mm bark 20...80 mm</p> |  <table data-bbox="1024 1691 1332 1792"> <tr> <td>\underline{S}</td> <td>\underline{h}</td> </tr> <tr> <td>30 cm</td> <td>< 2,0 m</td> </tr> <tr> <td>40 cm</td> <td>< 3,0 m</td> </tr> </table> | \underline{S} | \underline{h} | 30 cm | < 2,0 m | 40 cm | < 3,0 m | | | | |
| \underline{S} | \underline{h} | | | | | | | | | | | |
| 30 cm | < 2,0 m | | | | | | | | | | | |
| 40 cm | < 3,0 m | | | | | | | | | | | |
| | <p>Syntethic granulates</p> <table data-bbox="406 1892 758 2060"> <tr> <td>\underline{S}</td> <td>\underline{h}</td> </tr> <tr> <td>40 mm</td> <td>~> 1,2...1,3 m</td> </tr> <tr> <td>50 mm</td> <td>~> 1,5...1,7 m</td> </tr> <tr> <td>60 mm</td> <td>~> 1,8...2,0 m</td> </tr> <tr> <td>70 mm</td> <td>~> 2,1...2,5 m</td> </tr> </table> <p>Note. For accurate values, see manufacturer's instructions.</p> | \underline{S} | \underline{h} | 40 mm | ~> 1,2...1,3 m | 50 mm | ~> 1,5...1,7 m | 60 mm | ~> 1,8...2,0 m | 70 mm | ~> 2,1...2,5 m |  |
| \underline{S} | \underline{h} | | | | | | | | | | | |
| 40 mm | ~> 1,2...1,3 m | | | | | | | | | | | |
| 50 mm | ~> 1,5...1,7 m | | | | | | | | | | | |
| 60 mm | ~> 1,8...2,0 m | | | | | | | | | | | |
| 70 mm | ~> 2,1...2,5 m | | | | | | | | | | | |

REMOVE SAFETY SURFACE/SAND/GRAVEL
TO CHECK FOUNDATION

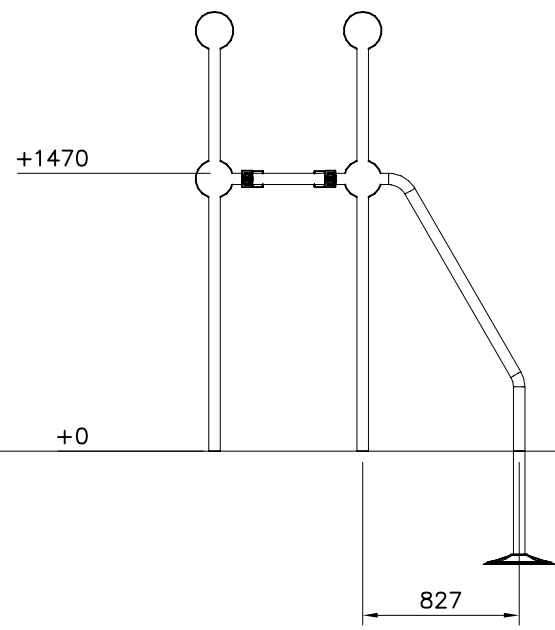
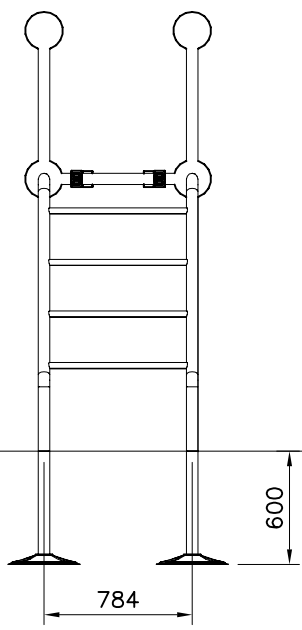


REMOVE SAFETY SURFACE/SAND/GRAVEL
TO CHECK FOUNDATION

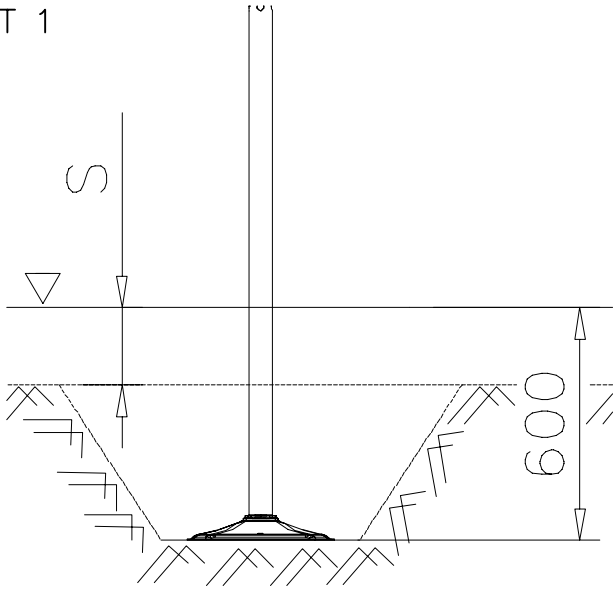




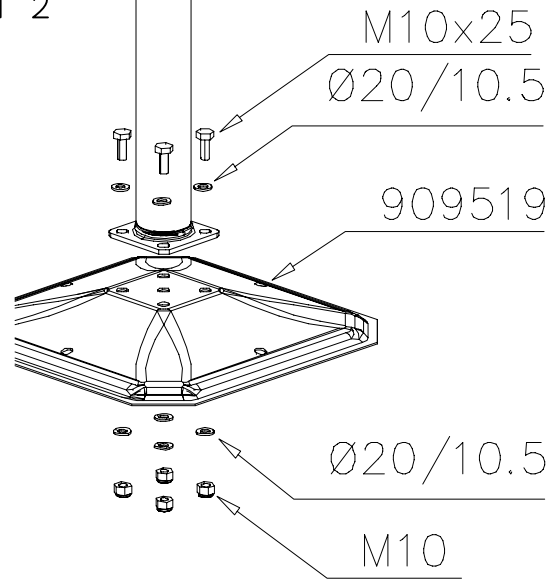
| | | | |
|----------|-----|------------|-----|
| ① 904493 | PCS | ② 909519 | PCS |
| | 1 | | 2 |
| | | 50x380x380 | |
| ③ 909637 | PCS | ④ 909638 | PCS |
| | 8 | | 16 |
| M10 | | Ø20/10.5 | |
| ⑤ 909639 | PCS | | PCS |
| | 8 | | |
| M10x25 | | | |
| | PCS | | PCS |
| | | | |
| | PCS | | PCS |
| | | | |



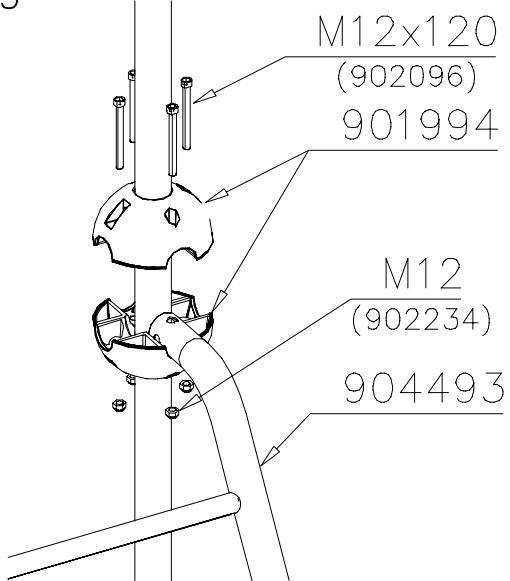
DET 1

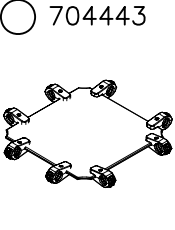
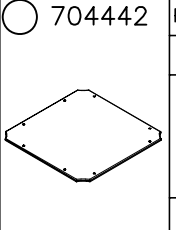
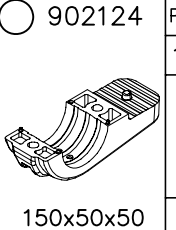
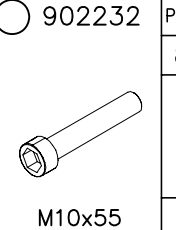
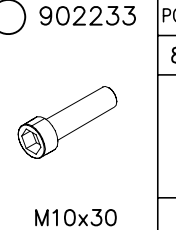
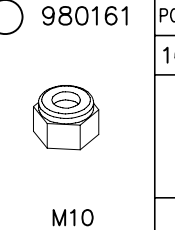
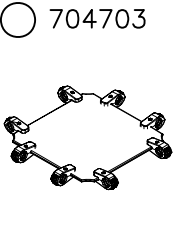
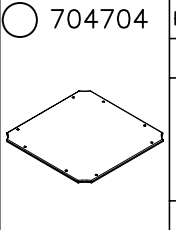
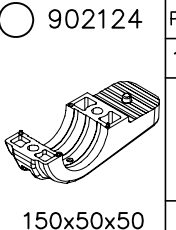
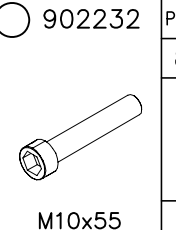
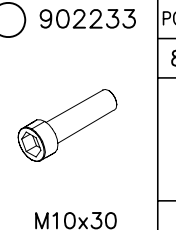
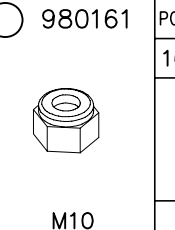
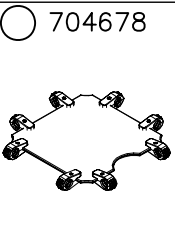
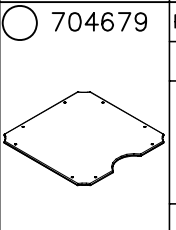
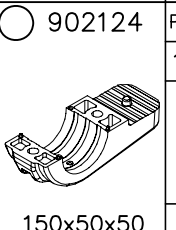
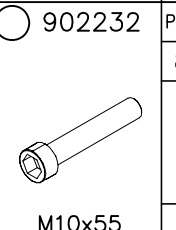
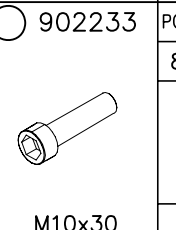
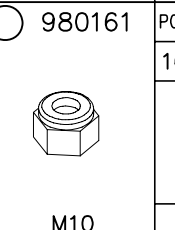
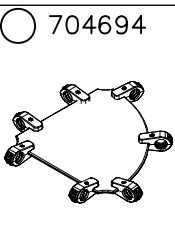
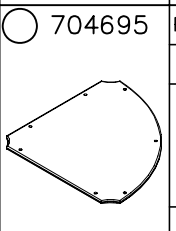
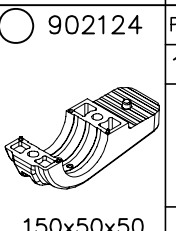
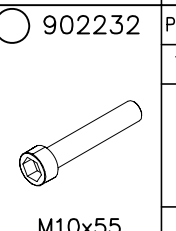
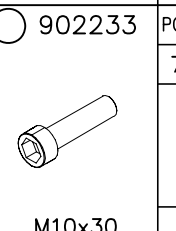
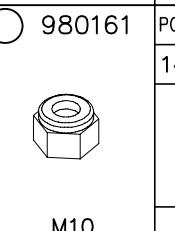


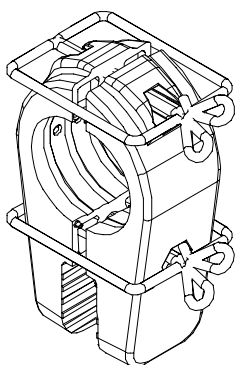
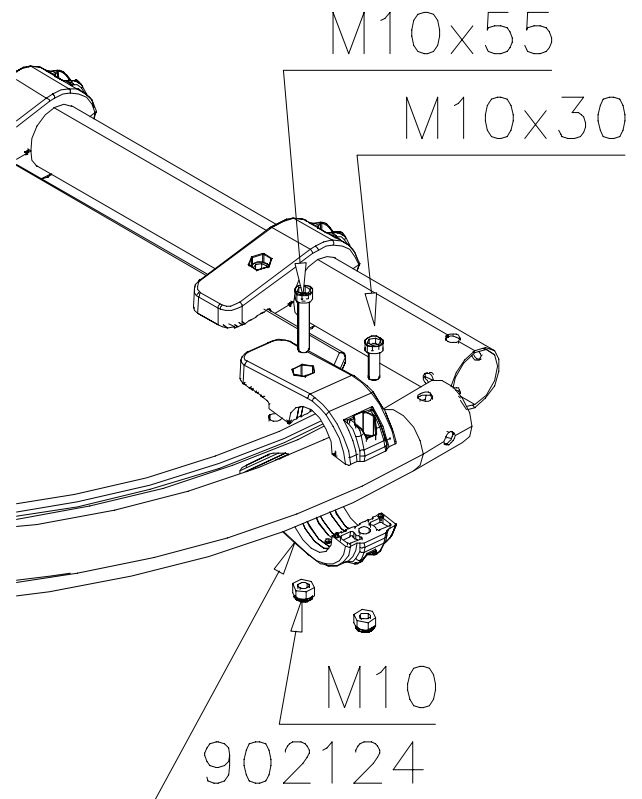
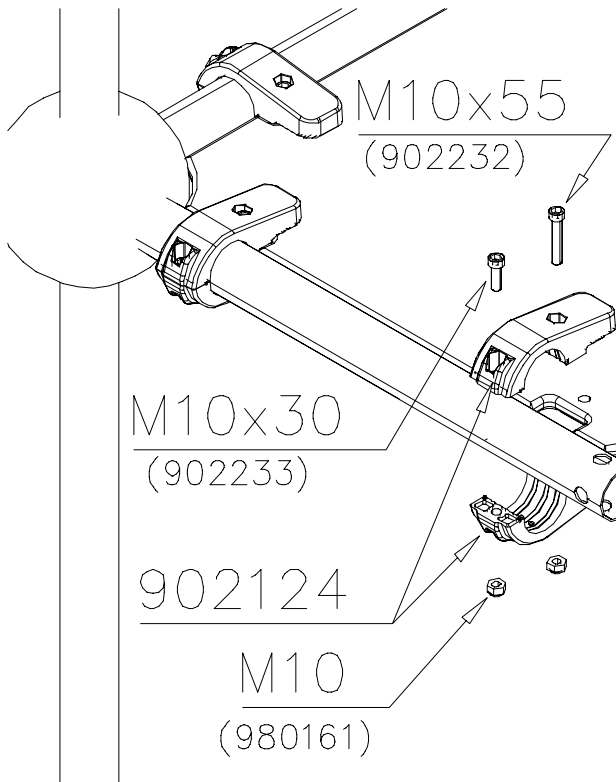
DET 2



DET 3



| | | | | | | | | | | | | |
|---|--|---------------------|---|----------------------|--|---------------------|---|---------------------|---|----------------------|--|------------|
|  <p>704443</p> |  <p>704442</p> | <p>PCS</p> <p>1</p> |  <p>902124</p> <p>150x50x50</p> | <p>PCS</p> <p>16</p> |  <p>902232</p> <p>M10x55</p> | <p>PCS</p> <p>8</p> |  <p>902233</p> <p>M10x30</p> | <p>PCS</p> <p>8</p> |  <p>980161</p> <p>M10</p> | <p>PCS</p> <p>16</p> | | <p>PCS</p> |
|  <p>704703</p> |  <p>704704</p> | <p>PCS</p> <p>1</p> |  <p>902124</p> <p>150x50x50</p> | <p>PCS</p> <p>16</p> |  <p>902232</p> <p>M10x55</p> | <p>PCS</p> <p>8</p> |  <p>902233</p> <p>M10x30</p> | <p>PCS</p> <p>8</p> |  <p>980161</p> <p>M10</p> | <p>PCS</p> <p>16</p> | | <p>PCS</p> |
|  <p>704678</p> |  <p>704679</p> | <p>PCS</p> <p>1</p> |  <p>902124</p> <p>150x50x50</p> | <p>PCS</p> <p>16</p> |  <p>902232</p> <p>M10x55</p> | <p>PCS</p> <p>8</p> |  <p>902233</p> <p>M10x30</p> | <p>PCS</p> <p>8</p> |  <p>980161</p> <p>M10</p> | <p>PCS</p> <p>16</p> | | <p>PCS</p> |
|  <p>704694</p> |  <p>704695</p> | <p>PCS</p> <p>1</p> |  <p>902124</p> <p>150x50x50</p> | <p>PCS</p> <p>14</p> |  <p>902232</p> <p>M10x55</p> | <p>PCS</p> <p>7</p> |  <p>902233</p> <p>M10x30</p> | <p>PCS</p> <p>7</p> |  <p>980161</p> <p>M10</p> | <p>PCS</p> <p>14</p> | | <p>PCS</p> |
| | | <p>PCS</p> | | <p>PCS</p> | | <p>PCS</p> | | <p>PCS</p> | | <p>PCS</p> | | <p>PCS</p> |
| | | <p>PCS</p> | | <p>PCS</p> | | <p>PCS</p> | | <p>PCS</p> | | <p>PCS</p> | | <p>PCS</p> |
| | | <p>PCS</p> | | <p>PCS</p> | | <p>PCS</p> | | <p>PCS</p> | | <p>PCS</p> | | <p>PCS</p> |
| | | <p>PCS</p> | | <p>PCS</p> | | <p>PCS</p> | | <p>PCS</p> | | <p>PCS</p> | | <p>PCS</p> |



NOTE:

Use a wire marked pairs of the same junction.

Huom!

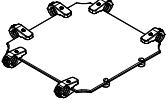
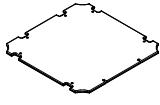
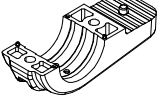
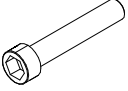
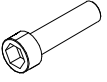
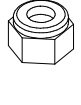
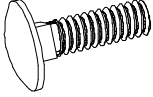
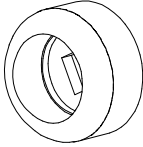
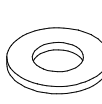
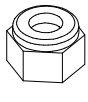
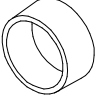
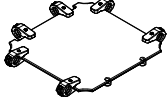
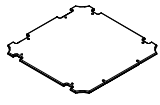
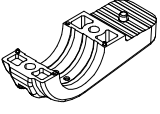
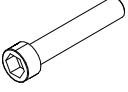
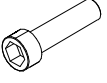
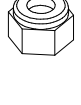
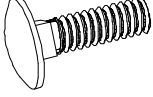
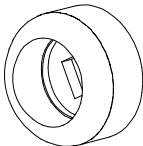
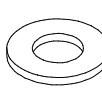
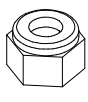
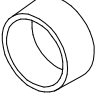
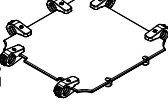
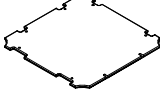
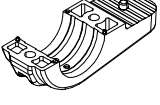
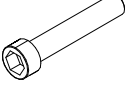
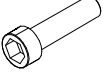
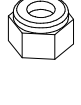
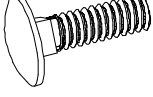
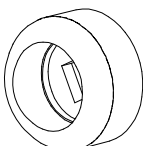
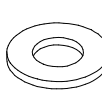
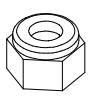
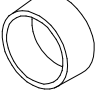
Käytä langalla merkittyä paria samassa liitoksessa.

LAPPSET® FLOOR (SLIDE)

CLOXX

DATE: 3.10.2013

1(3)

| | | | | | | | | | | | | |
|--|---|----------|--|-----------|---|----------|--|----------|--|-----------|--|----------|
| ○ 704432  | ○ 704038  | PCS 1 | ○ 902124  150x50x50 | PCS 12 | ○ 902232  M10x55 | PCS 6 | ○ 902233  M10x30 | PCS 6 | ○ 980161  M10 | PCS 12 | | PCS |
| | | PCS | ○ 909109  M12x40 | PCS 2 | ○ 905090  Ø45 | PCS 2 | ○ 980154  Ø24/13 | PCS 2 | ○ 909248  M12 | PCS 2 | ○ 905115  Ø32 | PCS 2 |
| | | PCS | | PCS | | PCS | | PCS | | PCS | | PCS |
| ○ 704447  | ○ 704446  | PCS 1 | ○ 902124  150x50x50 | PCS 12 | ○ 902232  M10x55 | PCS 6 | ○ 902233  M10x30 | PCS 6 | ○ 980161  M10 | PCS 12 | | PCS |
| | | PCS | ○ 909109  M12x40 | PCS 2 | ○ 905090  Ø45 | PCS 2 | ○ 980154  Ø24/13 | PCS 2 | ○ 909248  M12 | PCS 2 | ○ 905115  Ø32 | PCS 2 |
| | | PCS | | PCS | | PCS | | PCS | | PCS | | PCS |
| ○ 704666  | ○ 704667  | PCS 1 | ○ 902124  150x50x50 | PCS 12 | ○ 902232  M10x55 | PCS 6 | ○ 902233  M10x30 | PCS 6 | ○ 980161  M10 | PCS 12 | | PCS |
| | | PCS | ○ 909109  M12x40 | PCS 2 | ○ 905090  Ø45 | PCS 2 | ○ 980154  Ø24/13 | PCS 2 | ○ 909248  M12 | PCS 2 | ○ 905115  Ø32 | PCS 2 |

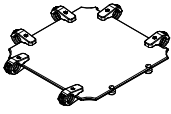
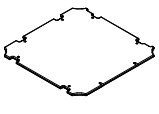
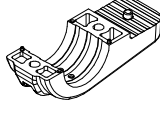
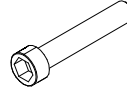
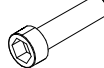

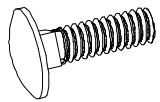
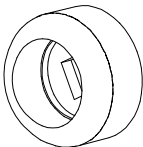
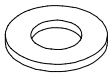
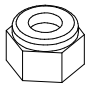
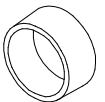
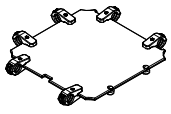
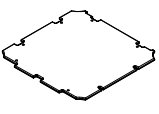
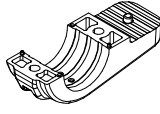
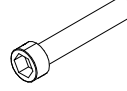
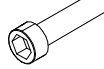

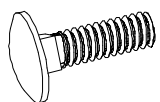
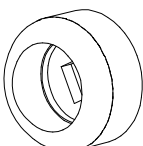
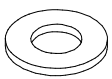
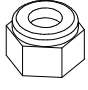
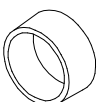
LAPPSET®

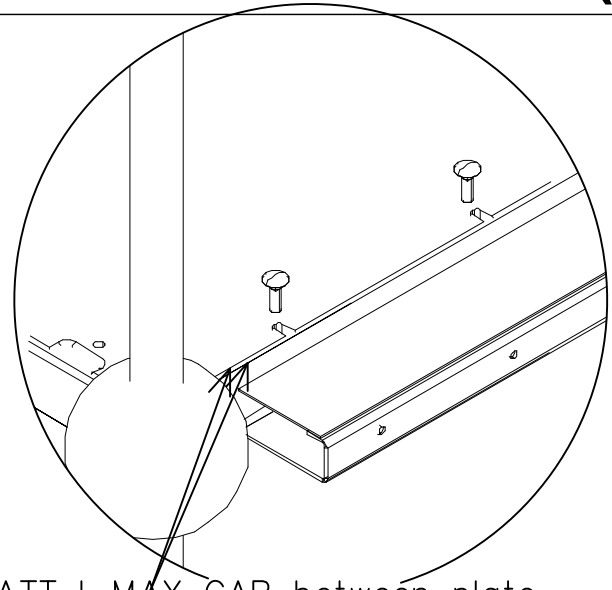
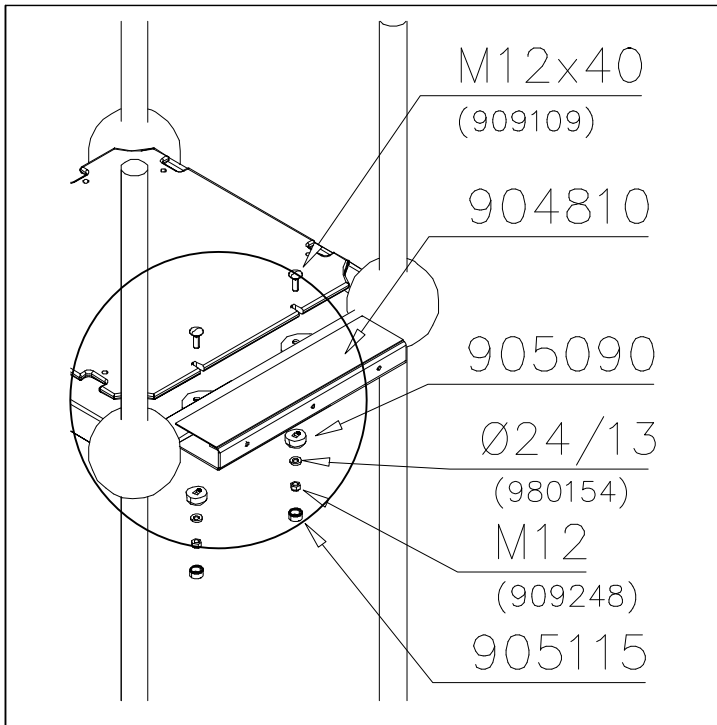
FLOOR (SLIDE)

CLOXX

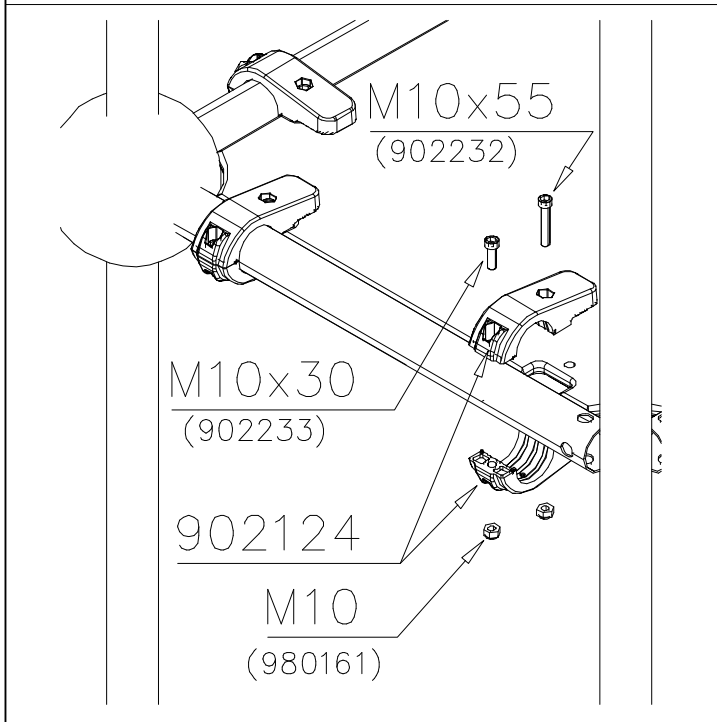
DATE: 3.10.2013

2(3)

| | | | | | | | | | | | | |
|--|---|----------|--|-----------|---|----------|--|----------|--|-----------|--|----------|
| ○ 704684  | ○ 704685  | PCS 1 | ○ 902124  150x50x50 | PCS 12 | ○ 902232  M10x55 | PCS 6 | ○ 902233  M10x30 | PCS 6 | ○ 980161  M10 | PCS 12 | | PCS |
| | | PCS | ○ 909109  M12x40 | PCS 2 | ○ 905090  Ø45 | PCS 2 | ○ 980154  Ø24/13 | PCS 2 | ○ 909248  M12 | PCS 2 | ○ 905115  Ø32 | PCS 2 |
| | | PCS | | PCS | | PCS | | PCS | | PCS | | PCS |
| ○ 704692  | ○ 704693  | PCS 1 | ○ 902124  150x50x50 | PCS 12 | ○ 902232  M10x55 | PCS 6 | ○ 902233  M10x30 | PCS 6 | ○ 980161  M10 | PCS 12 | | PCS |
| | | PCS | ○ 909109  M12x40 | PCS 2 | ○ 905090  Ø45 | PCS 2 | ○ 980154  Ø24/13 | PCS 2 | ○ 909248  M12 | PCS 2 | ○ 905115  Ø32 | PCS 2 |
| | | PCS | | PCS | | PCS | | PCS | | PCS | | PCS |
| | | PCS | | PCS | | PCS | | PCS | | PCS | | PCS |
| | | PCS | | PCS | | PCS | | PCS | | PCS | | PCS |

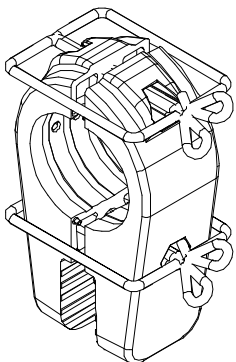
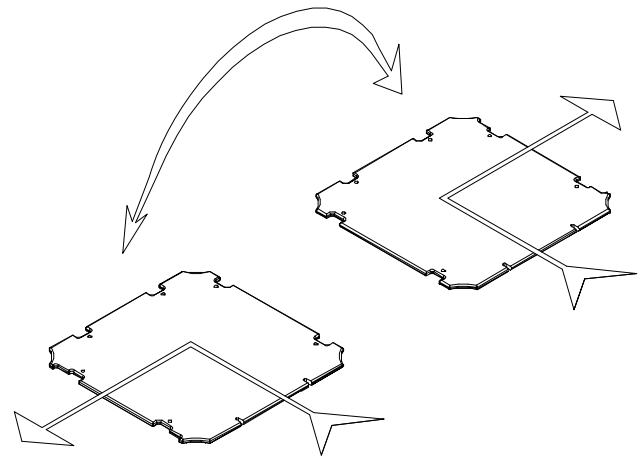


ATT ! MAX GAP between plate
and tube is 6mm
 HUOM ! MAKSIMI VÄLI lattialevyllä
ja putkella on 6mm



KÄYTÄ TARVITTAESSA SAMAA LEVYÄ
VASEMALLE TAI OIKEALLE.

IF NECESSARY USE SAME PLATE LEFT
OR RIGHT.

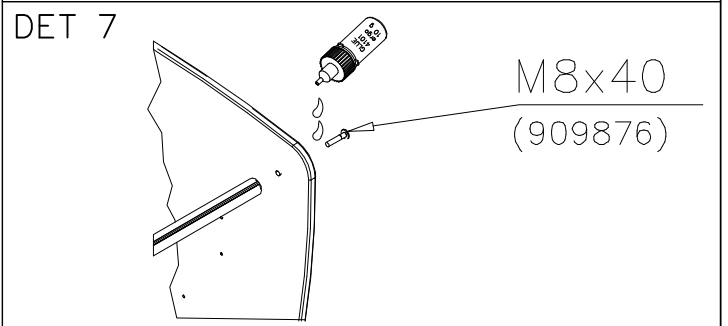
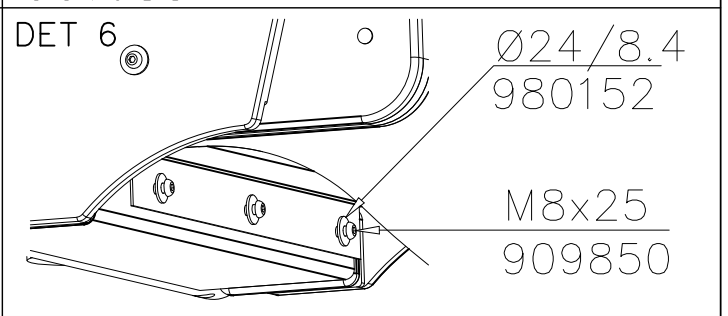
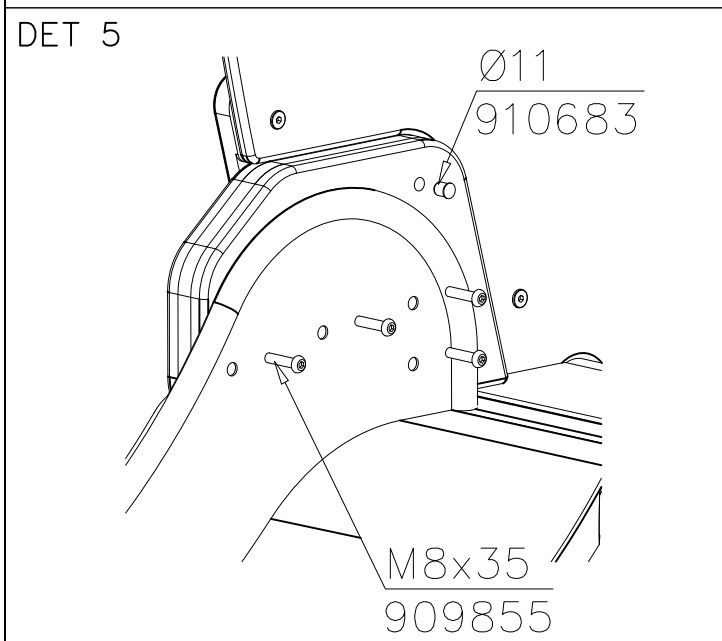
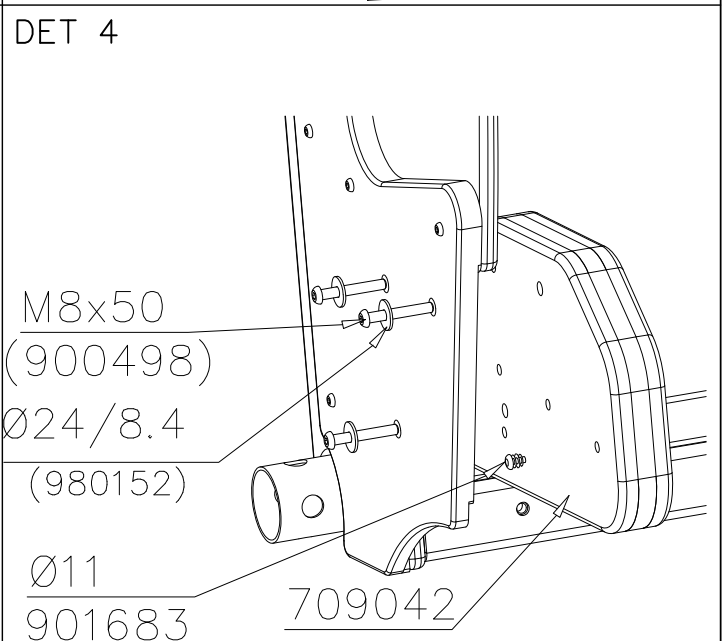
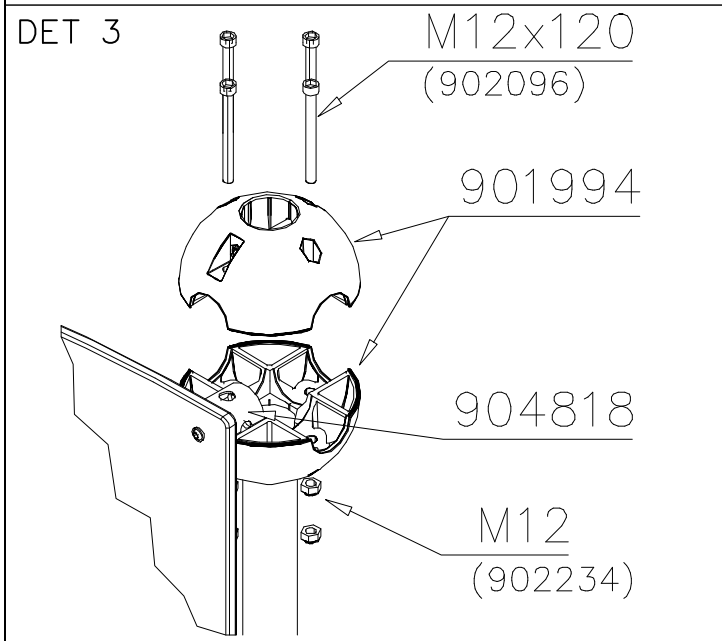
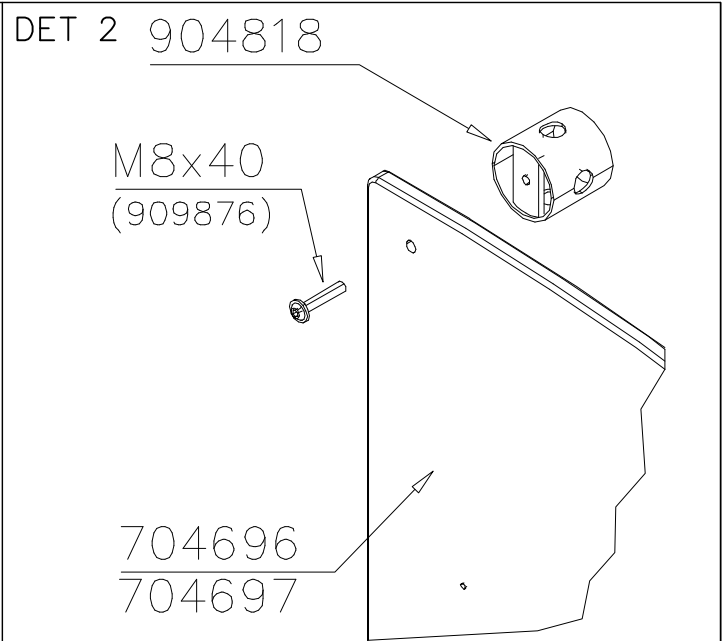
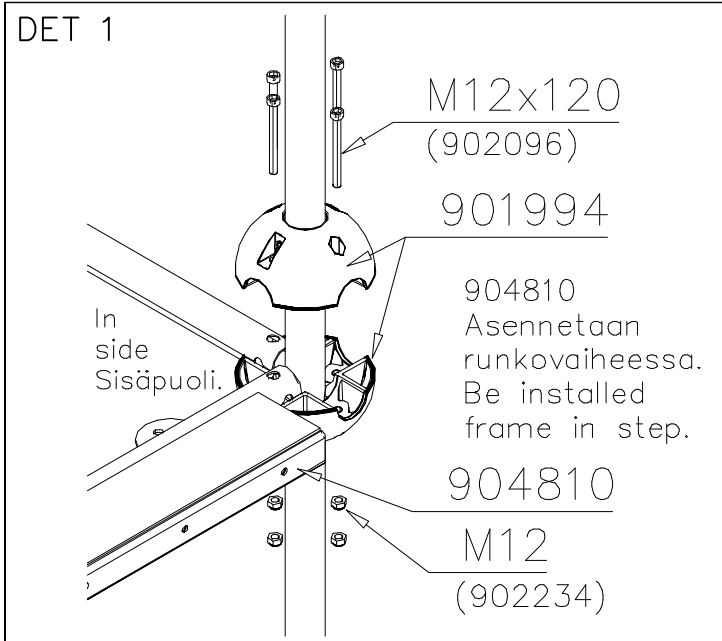


NOTE:
Use a wire marked pairs
of the same junction.

Huom!
Käytä langalla merkittyä
paria samassa liitoksessa.

Exploded view diagram of a mechanical assembly. The diagram shows various components labeled with circled numbers 1 through 13 and sub-assemblies labeled DET 1 through DET 7. Dimensions are provided for several parts: 860, 784, 468, and a range of (870-1470-1970-2070).

| | | | |
|----------|-----|----------|-----|
| ① 704696 | PCS | ② 704697 | PCS |
| | 1 | | 1 |
| ③ 904810 | PCS | ④ 904818 | PCS |
| | 1 | | 2 |
| ⑤ 904833 | PCS | ⑥ 909876 | PCS |
| | 1 | | 4 |
| Ø30x565 | | M8x40 | |
| ⑦ 980152 | PCS | ⑧ 900498 | PCS |
| | 9 | | 6 |
| Ø24/8.4 | | M8x50 | |
| ⑨ 999561 | PCS | ⑩ 709042 | PCS |
| | 1 | | 2 |
| 10 g | | | |
| | | ⑪ 909855 | PCS |
| | | | 8 |
| | | M8x35 | |
| | | ⑫ 910683 | PCS |
| | | | 4 |
| | | Ø11 | |
| | | ⑬ 909850 | PCS |
| | | | 3 |
| | | M8x25 | |



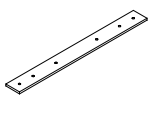
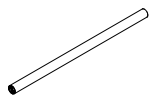

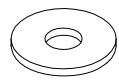
LAPPSET

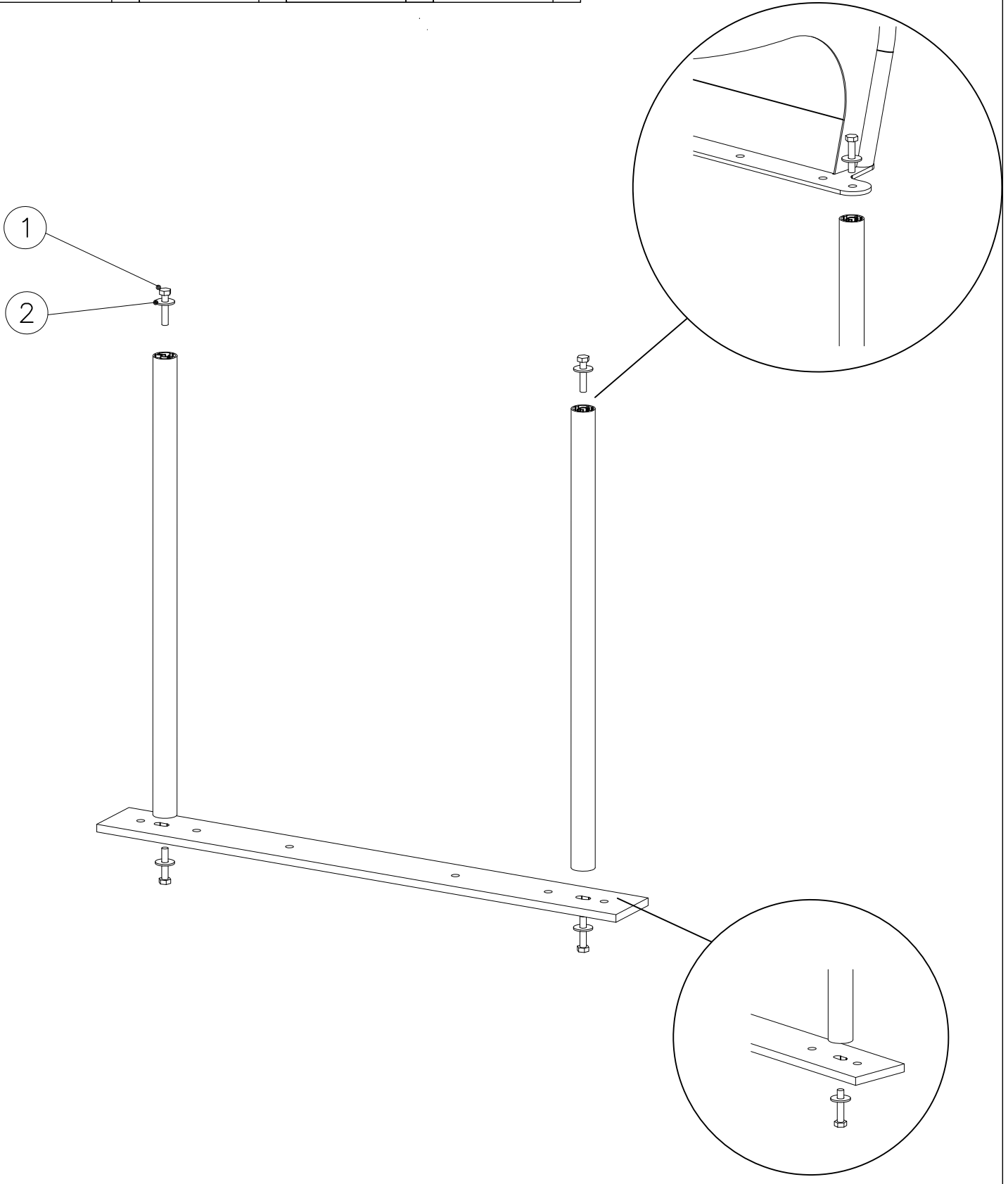
DEEP FOUNDATION

SLIDE METAL

DATE: 11.2.2019

1(1)

| | | | | | | | |
|--|-----|---|-----|---|-----|---|-----|
| ○ 707133 | PCS | ○ 901868 | PCS | ① 909210 | PCS | ② 905051 | PCS |
| | 1 | | 2 | | 4 | | 4 |
|  | |  | |  | |  | |
| 10x80x745 | | Ø30x598 | | M8x40 | | Ø24/8.4 | |



LAPPSET

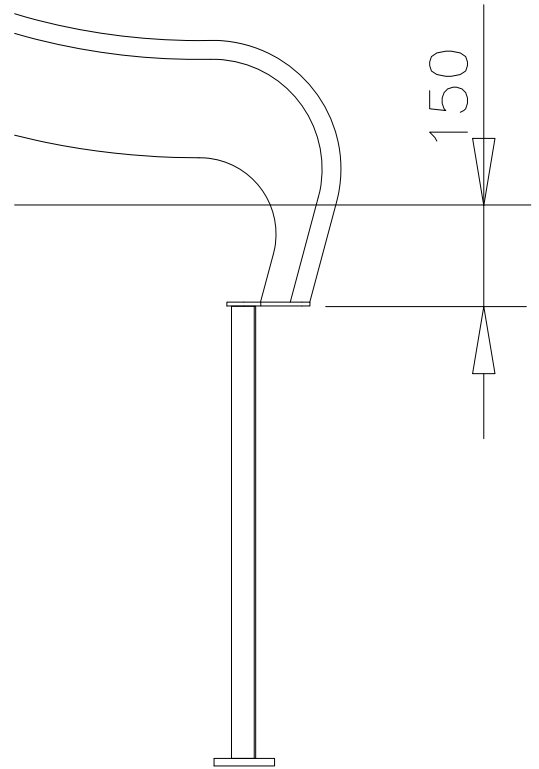
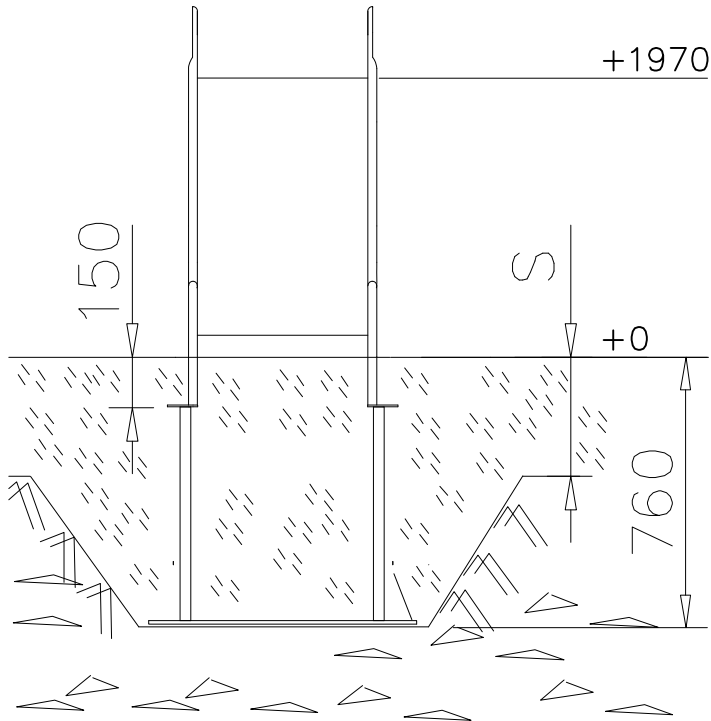
DEEP FOUNDATION

SLIDE METAL

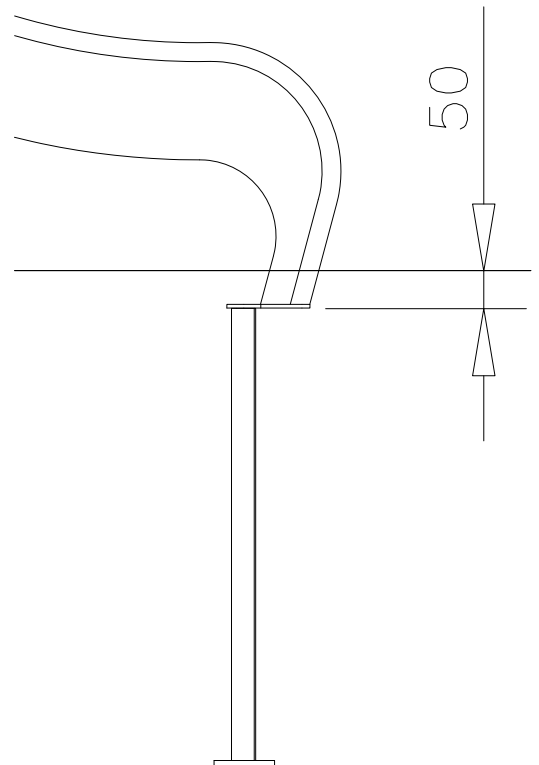
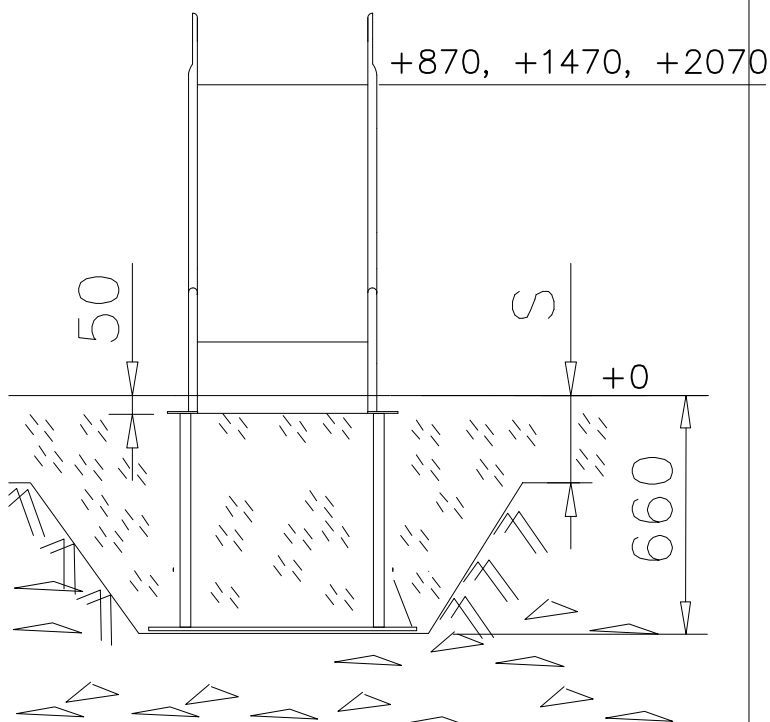
DATE: 24.11.2020

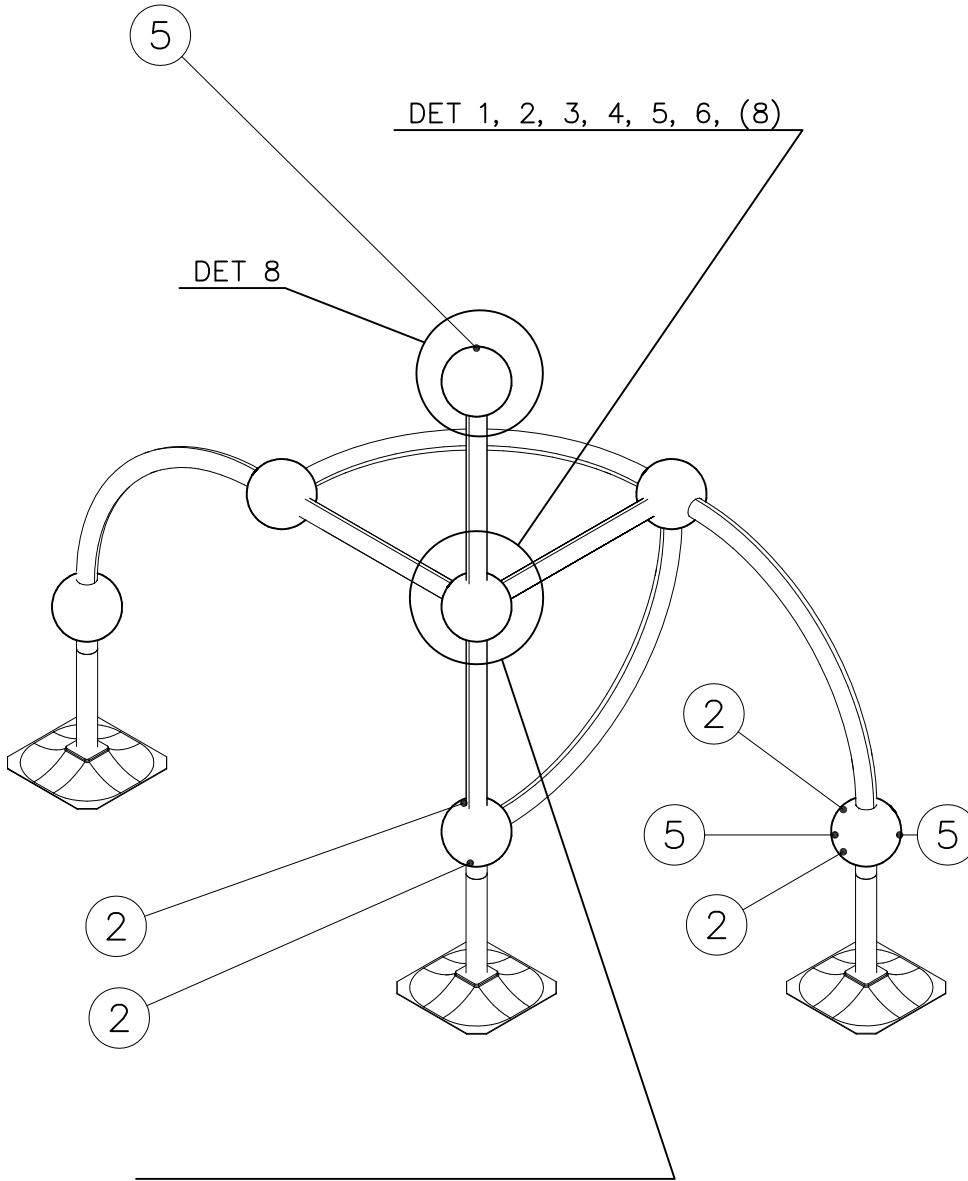
1(1)

Floor level +1970

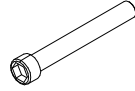

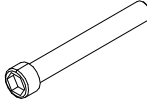



Floor level +870,
+1470, +2070

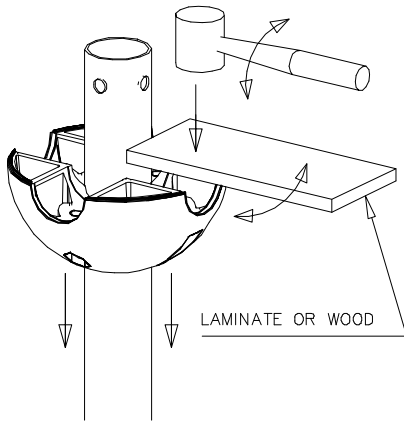




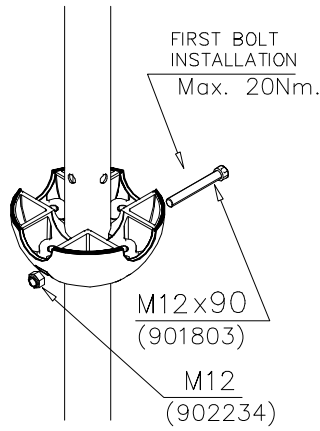
DO NOT TIGHTEN THE JOINTS UNTIL THE STRUCTURE IS COMPLETE.

| | | | |
|---|-----|---|-----|
| ① 901803 | PCS | ② 901994 | PCS |
|  | 2 |  | 2 |
| M12x90 | | Ø190 | |
| ③ 902096 | PCS | ④ 902234 | PCS |
|  | 4 |  | 6 |
| M12x120 | | M12 | |
| | PCS | | PCS |
| | | | |
| | PCS | | PCS |
| | | | |
| | PCS | | PCS |
| | | | |
| | PCS | | PCS |
| | | | |
| | PCS | | PCS |
| | | | |
| | PCS | | PCS |
| | | | |

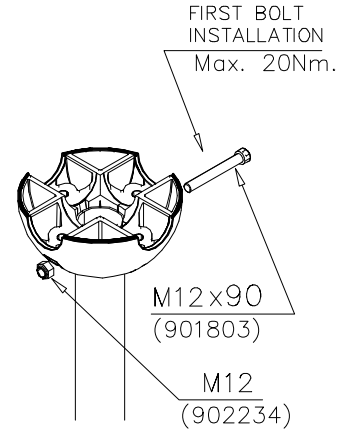
DET 1



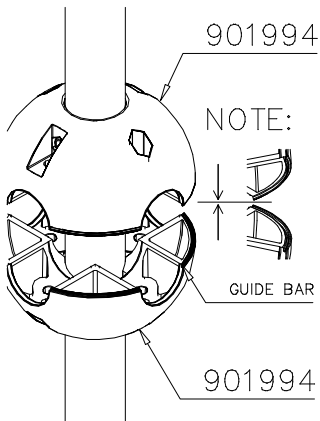
DET 2



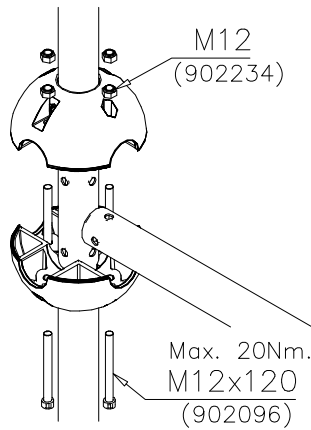
DET 3



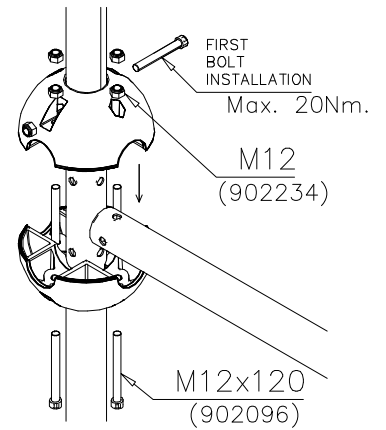
DET 4



DET 5

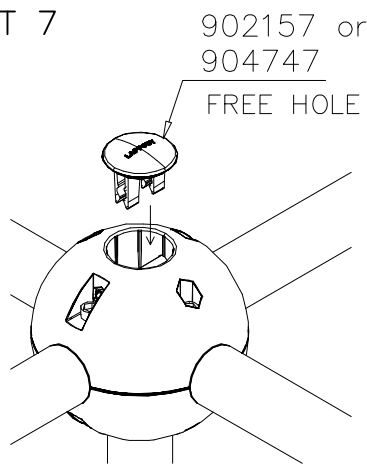


DET 6



REMEMBER
FINAL
TIGHTENING

DET 7



DET 8



**Tuotekyltti tulee tuotteen mukana yhdellä seuraavista tavoista:****1) Metallinen tuotekyltti ja kiinnitysruuvit**

- Kiinnitä tuotekyltti ruuveilla tolppaan noin 2 metrin korkeuteen kuvan 1 mukaisesti.

2) Tuotekylttitarra

- Puhdista maalattu metalli- tai vaneripinta pölystä ja kosteudesta. Liimaa tarra kuvan 2 mukaisesti.
- Huom. Älä kiinnitä tarraa karheapintaiseen laminaattiin tai maalattuun puuhun.

Vår produktmärkning levereras på ett av följande sätt:**1) Produktskylt i metall**

- Fäst skylten med de medföljande skruvarna

2) Självhäftande produktetikett

- Rengör den pulverlackerade metallytan eller laminatyten så att den blir fri från smuts och fukt. Fäst etiketten enligt fig. 2.
- Obs! Fäst ej etiketten på detaljer med skrovlig yta eller på målat trä.

Product label is delivered by one of following ways:**1) Metal product label and screws**

- Fasten the label with screws.

2) Label sticker

- Clean the painted metal or plywood surface from dirt and moisture. Fasten the sticker as shown in the figure 2.
- Note. Do not attach the sticker to rough surfaced laminate or painted wood.

La plaque d'informations produit est livrée sous l'une de ces 3 formes :**1) Plaque métallique et vis**

- Fixez la plaque à l'aide des vis.

2) Etiquette autocollante

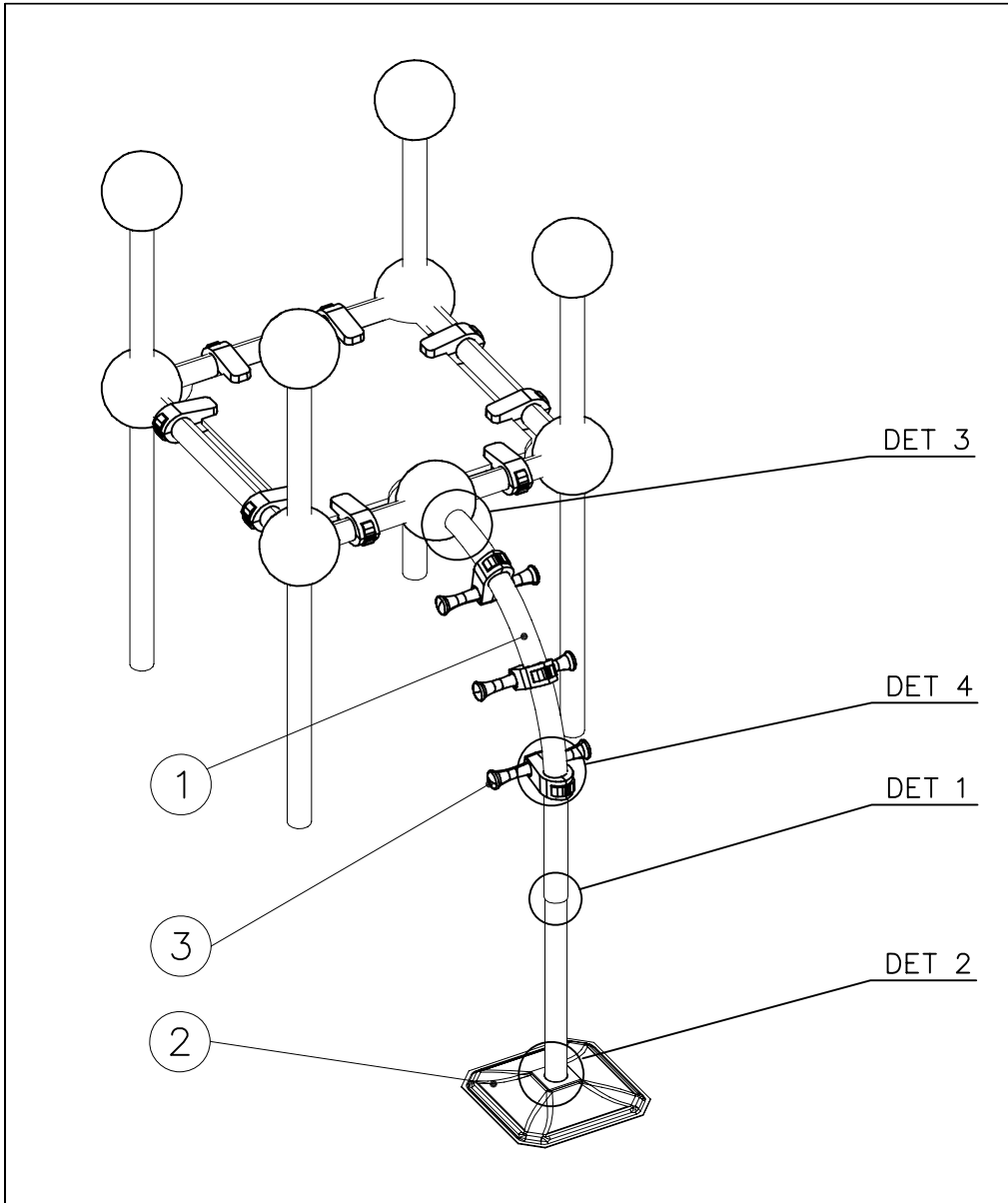
- Avant de coller l'étiquette, nettoyez le composant métallique peint ou la plaque de contreplaqué, de toute saleté. La surface doit être sèche (voir image 2).
- Attention, ne pas coller l'étiquette sur une surface lamellé-collée irrégulière ou sur du bois peint.


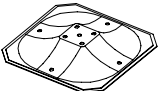
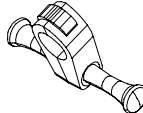
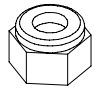

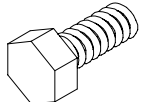
Die Auslieferung des Produktaufklebers erfolgt auf eine dieser Arten:**1) Produkt-Schild aus Metall incl. Schrauben**

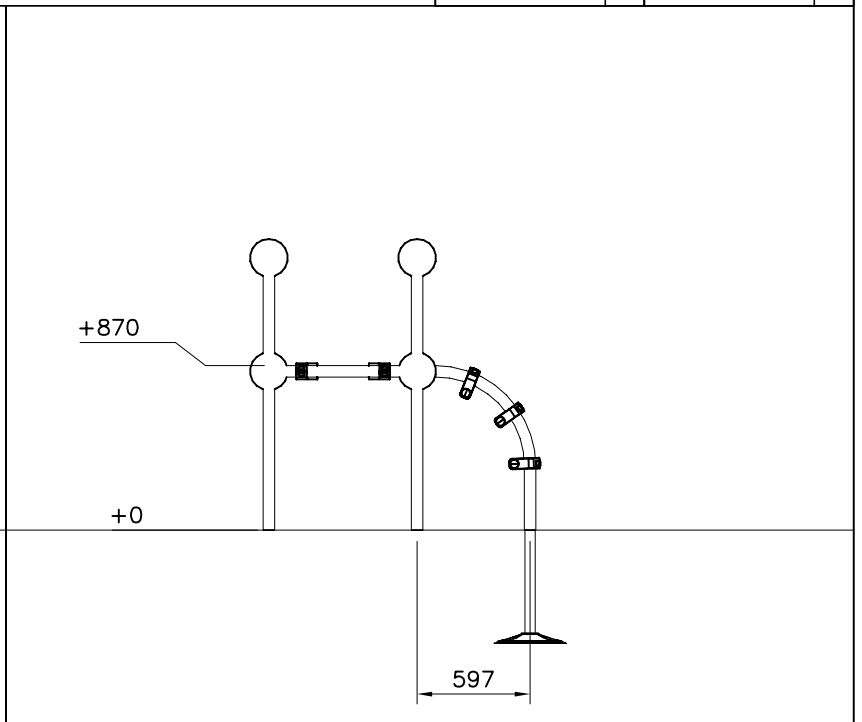
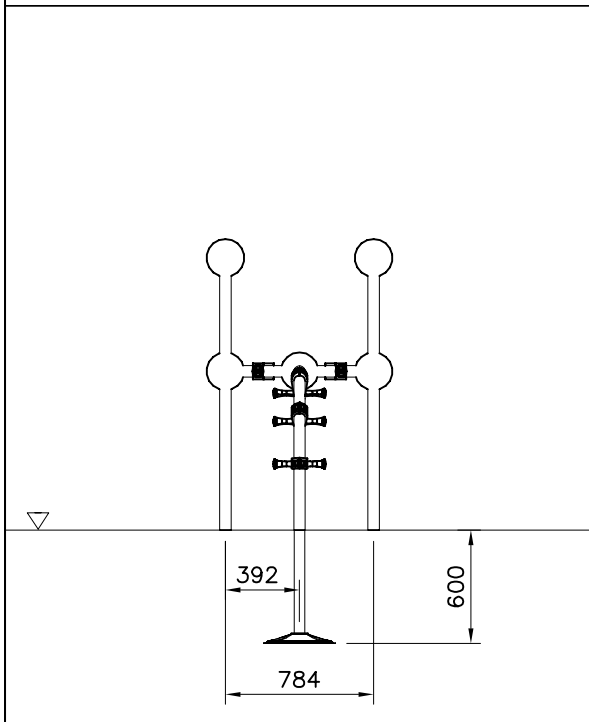
- Die Befestigung des Schildes erfolgt mittels der Schrauben.

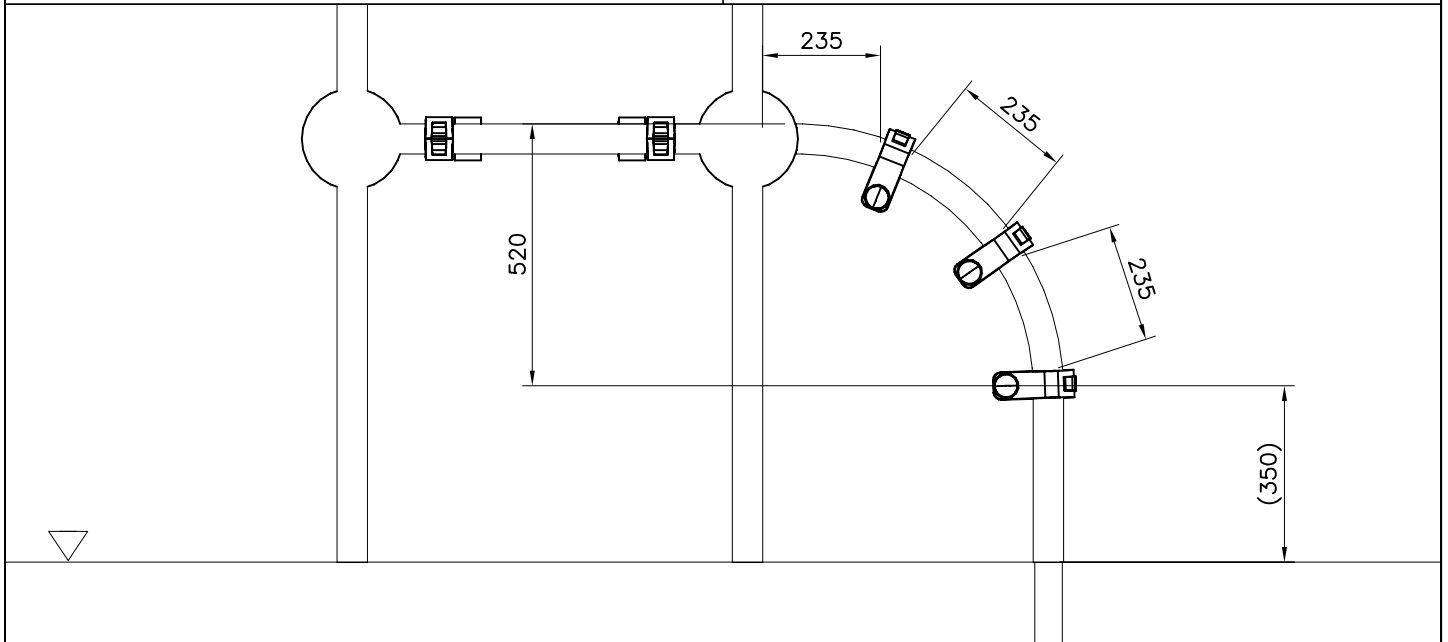
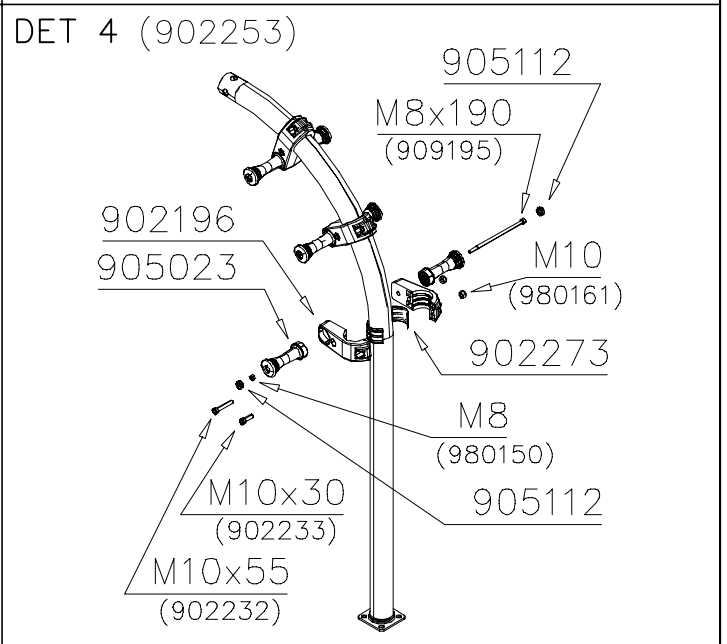
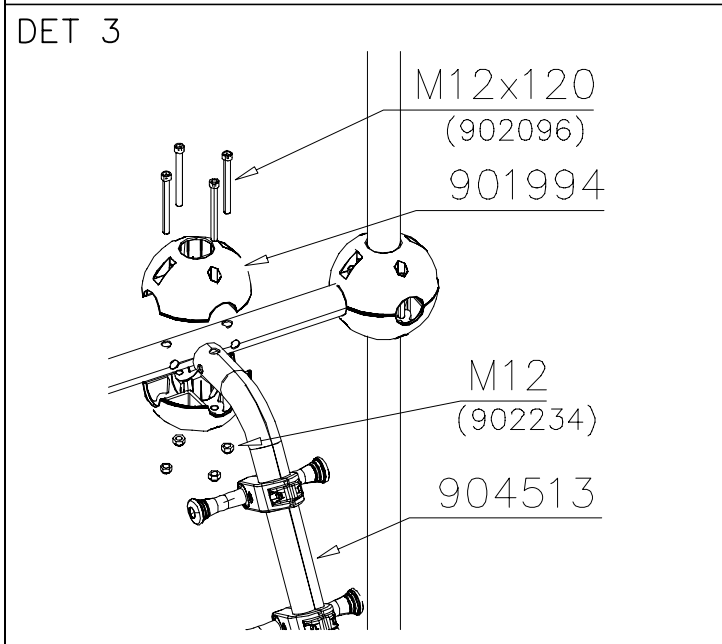
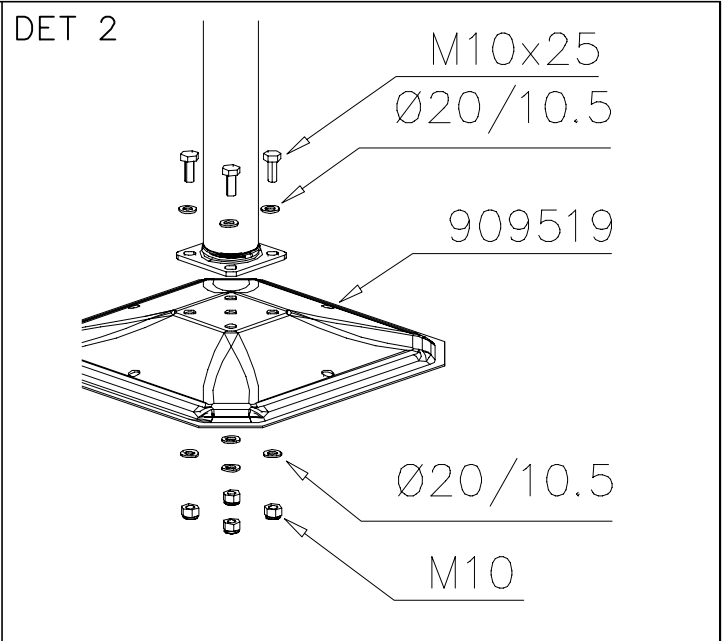
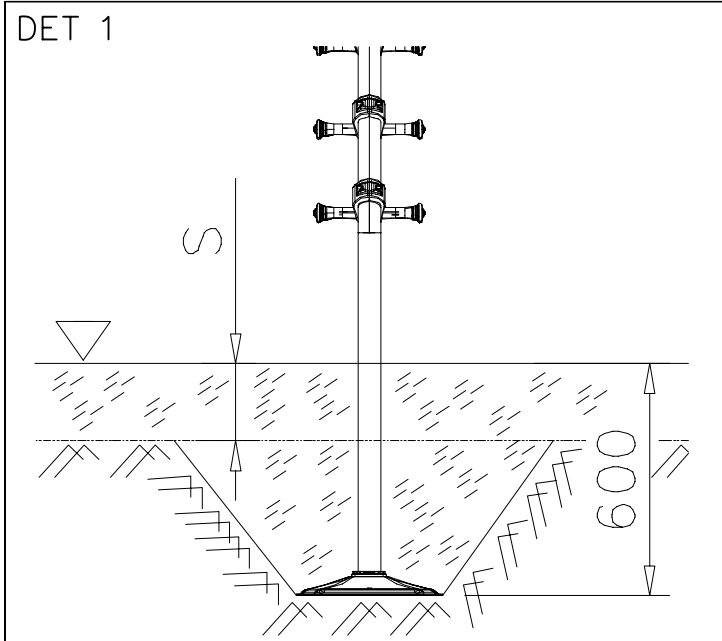
2) Aufkleber

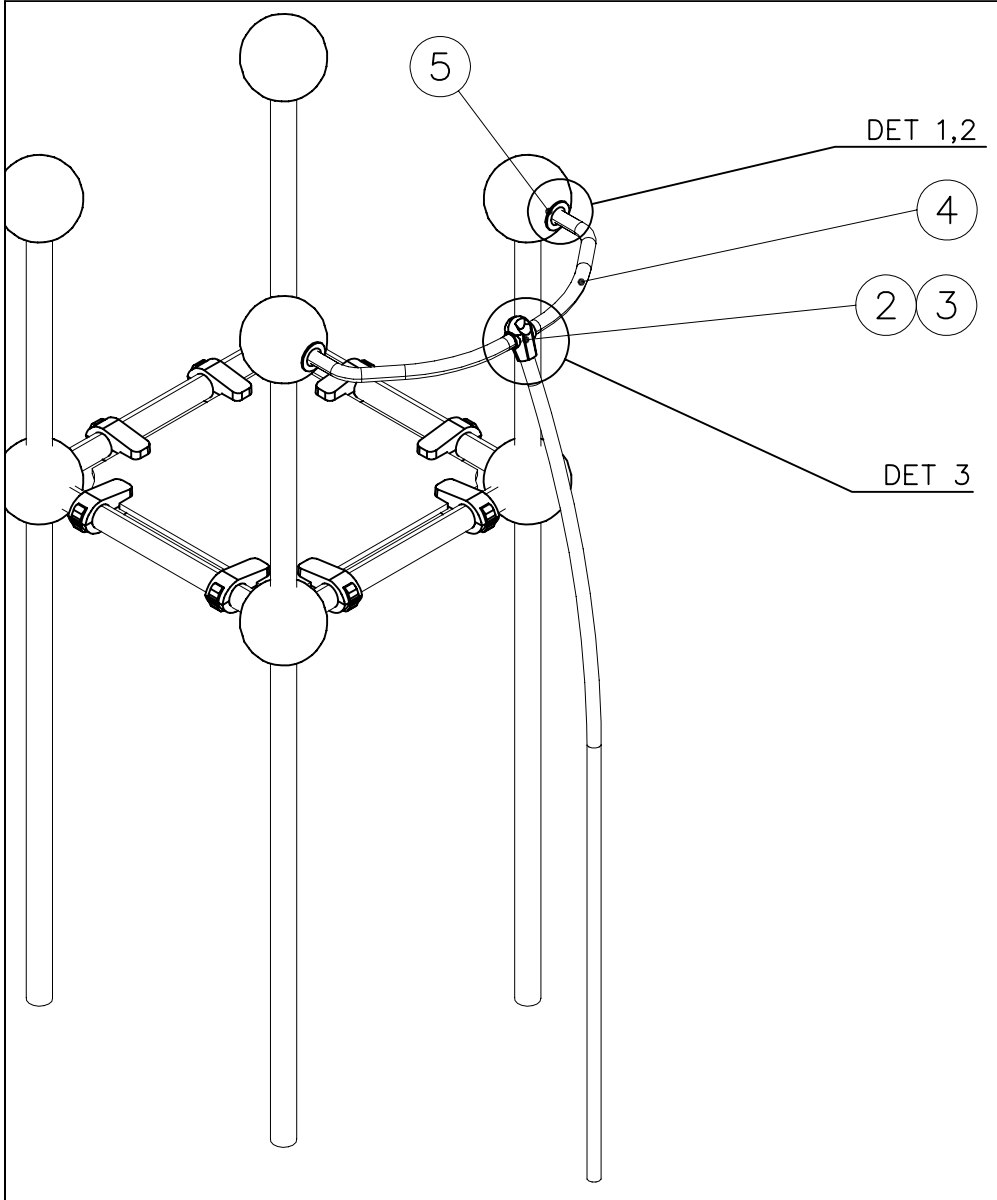
- Entfernen Sie zunächst Schmutz und Feuchtigkeit vom lackierten Metall bzw. von der Holzoberfläche und bringen Sie den Aufkleber wie im Bild oben rechts beschrieben auf den gesäuberten Untergrund auf.
- Beachten Sie: Bringen Sie den Aufkleber nicht auf raues laminiertes oder lackiertes Holz an.

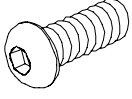
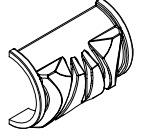

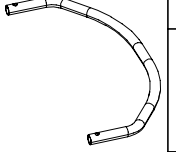
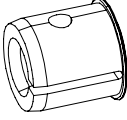
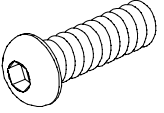
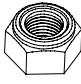


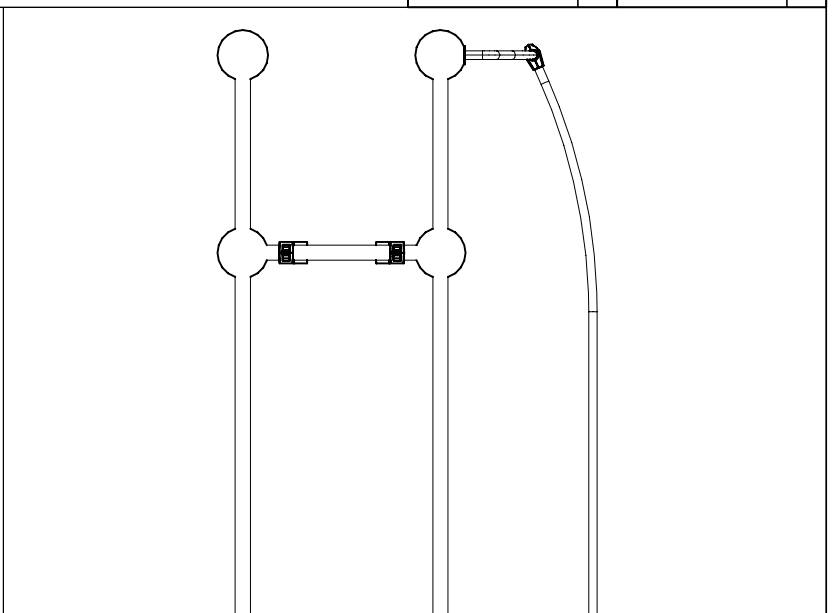
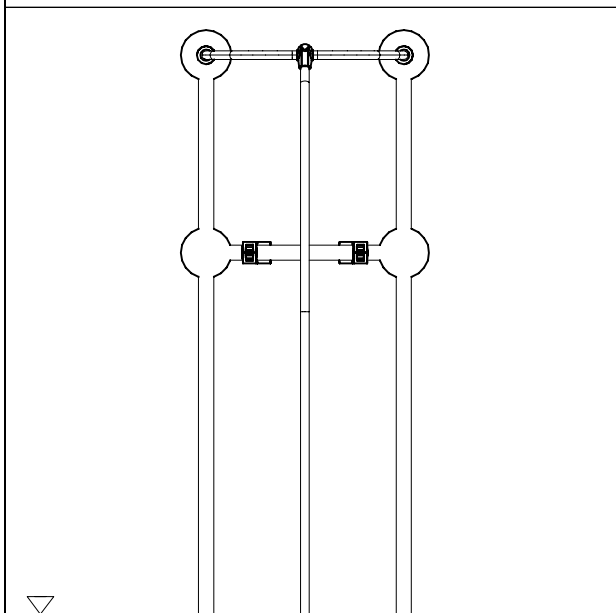
| | | | |
|---|-----|---|-----|
| ① 904513 | PCS | ② 909519 | PCS |
|  | 1 |  | 1 |
| | | 50x380x380 | |
| ③ 902253 | PCS | ④ 909637 | PCS |
|  | 3 |  | 4 |
| | | M10 | |
| ⑤ 909638 | PCS | ⑥ 909639 | PCS |
|  | 8 |  | 4 |
| | | M10x25 | |
| | PCS | | PCS |
| | | | |
| | PCS | | PCS |
| | | | |







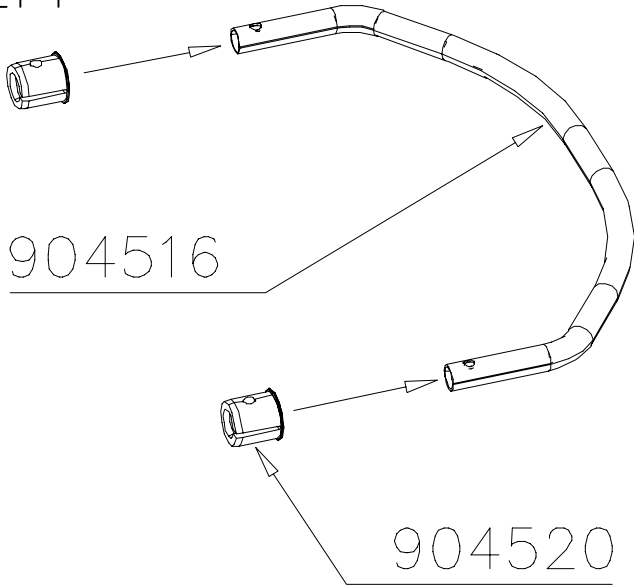
| | | | |
|---|-----|---|-----|
| ① 900342 | PCS | ② 901900 | PCS |
|  | 2 |  | 2 |
| M8x16 | | 20.5x36.2x56 | |
| ③ 901902 | PCS | ④ 904516 | PCS |
|  | 2 |  | 1 |
| 30.7x60.9x100 | | Ø33.7x2.6x1157 | |
| ⑤ 904520 | PCS | ⑥ 909850 | PCS |
|  | 2 |  | 1 |
| 60-33,7 | | M8x25 | |
| ⑦ 980150 | PCS | | PCS |
|  | 1 | | |
| M8 | | | |
| | PCS | | PCS |



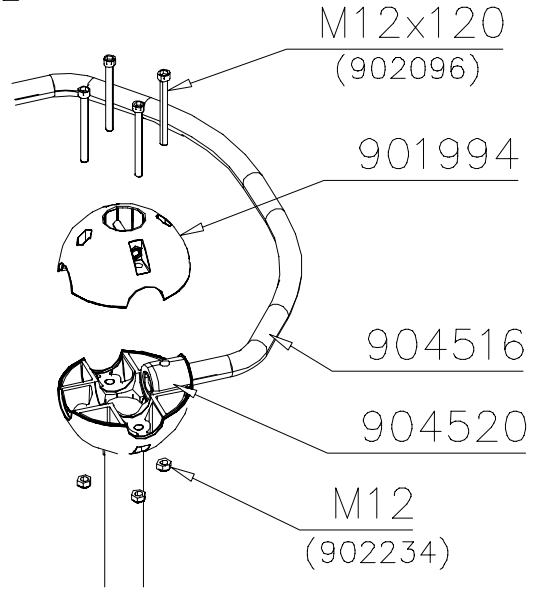
392
784

605

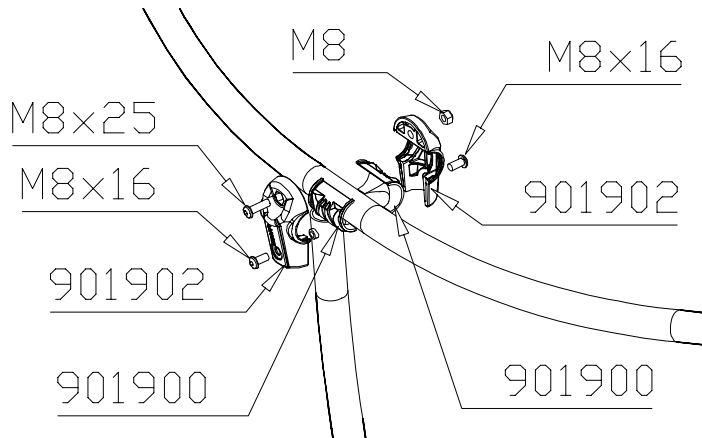
DET 1

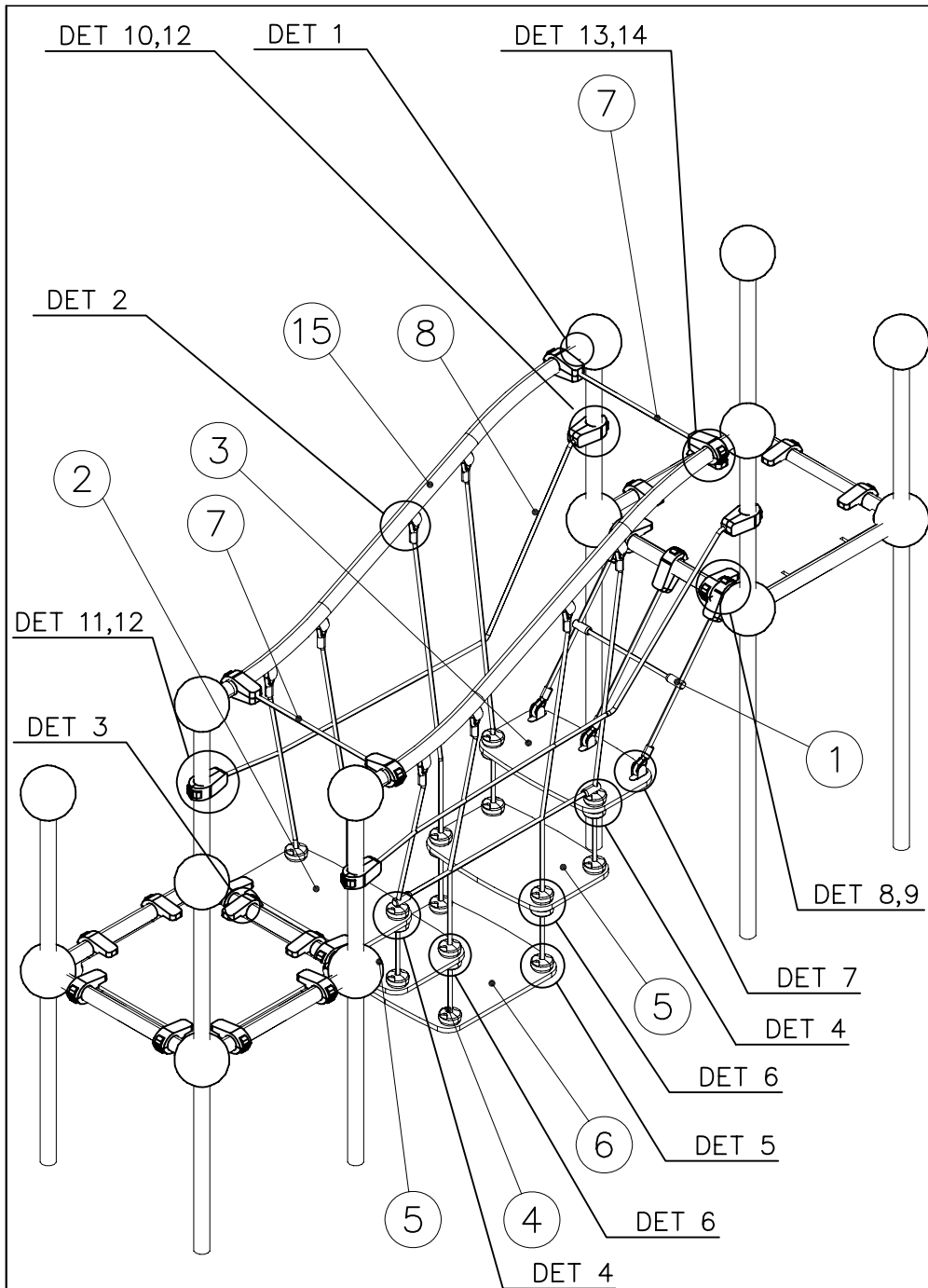


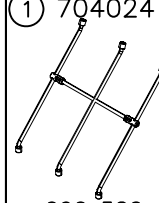
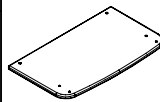
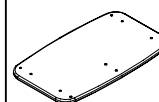
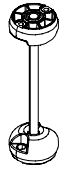
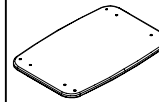
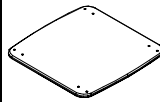
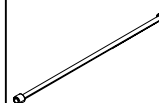
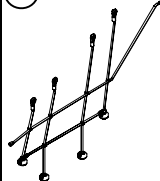
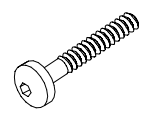
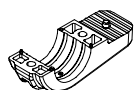
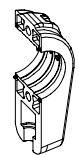
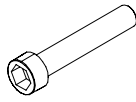
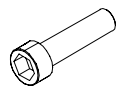
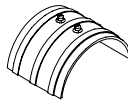
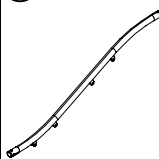
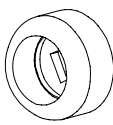
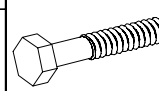
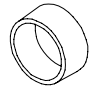
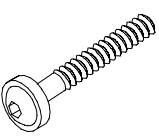
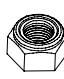

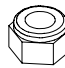
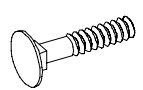
DET 2



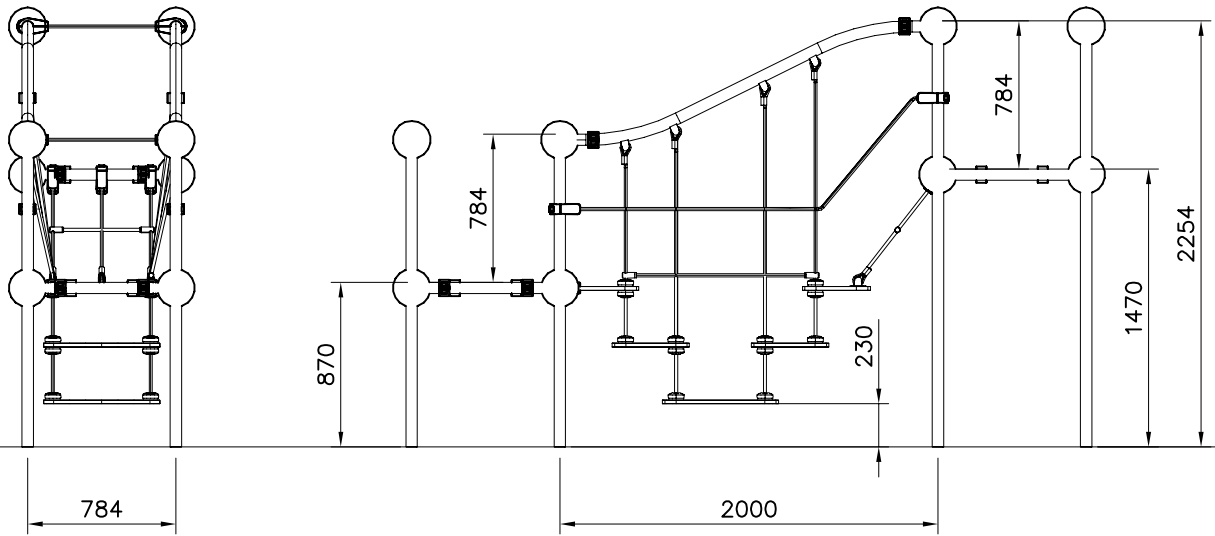
DET 3



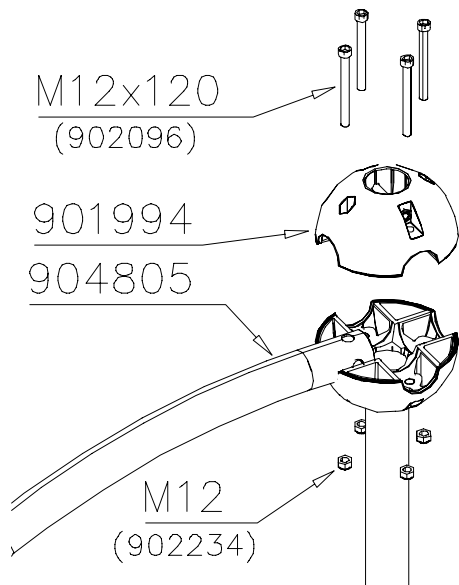


| | | | |
|---|-----|---|-----|
| ① 704024 | PCS | ② 704025 | PCS |
|  | 1 |  | 1 |
| 690x520 | | 20x360x615 | |
| ③ 704026 | PCS | ④ 704055 | PCS |
|  | 1 |  | 8 |
| 20x360x615 | | 280 | |
| ⑤ 704057 | PCS | ⑥ 704058 | PCS |
|  | 2 |  | 1 |
| 20x410x615 | | 20x615x615 | |
| ⑦ 704060 | PCS | ⑧ 704416 | PCS |
|  | 2 |  | 2 |
| ∅16 | | 1515x1090 | |
| ⑨ 909868 | PCS | ⑩ 902124 | PCS |
|  | 16 |  | 4 |
| M8x50 | | 150x50x50 | |
| ⑪ 902195 | PCS | ⑫ 902232 | PCS |
|  | 22 |  | 13 |
| 150x50x50 | | M10x55 | |
| ⑬ 902233 | PCS | ⑭ 902273 | PCS |
|  | 13 |  | 26 |
| M10x30 | | | |
| ⑮ 904805 | PCS | ⑯ 905083 | PCS |
|  | 2 |  | 22 |
| | | ∅32 | |
| ⑰ 909568 | PCS | ⑱ 905112 | PCS |
|  | 8 |  | 22 |
| M8x55 | | ∅22 | |
| ⑲ 901104 | PCS | ⑳ 980150 | PCS |
|  | 16 |  | 46 |
| M8x80 | | M8 | |
| ㉑ 980151 | PCS | ㉒ 980161 | PCS |
|  | 22 |  | 26 |
| ∅16/8.4 | | M10 | |
| ㉓ 909212 | PCS | | PCS |
|  | 6 | | |
| M8x40 | | | |

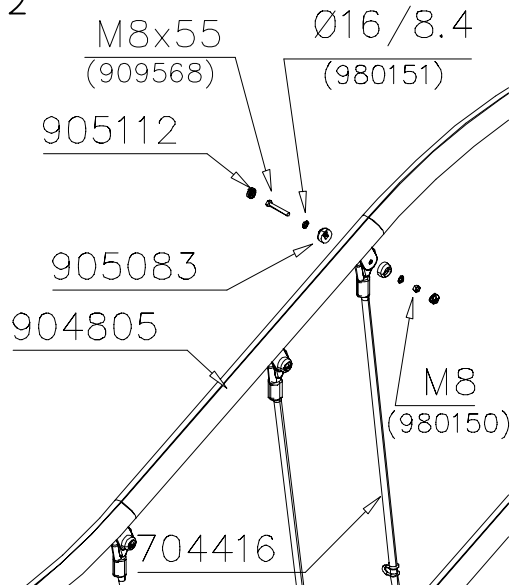
1:40

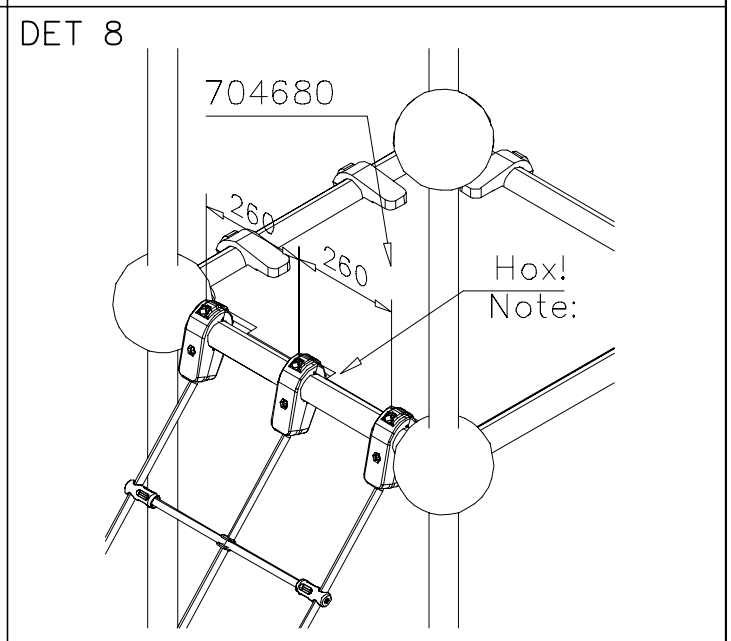
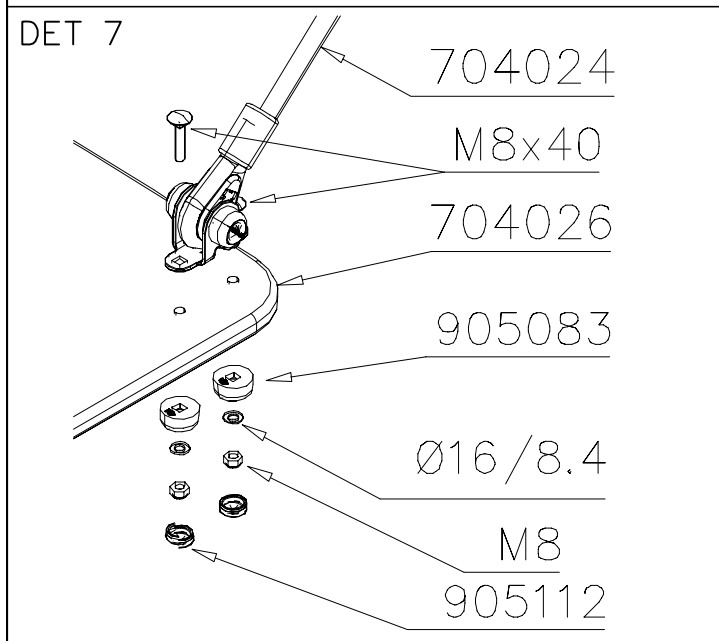
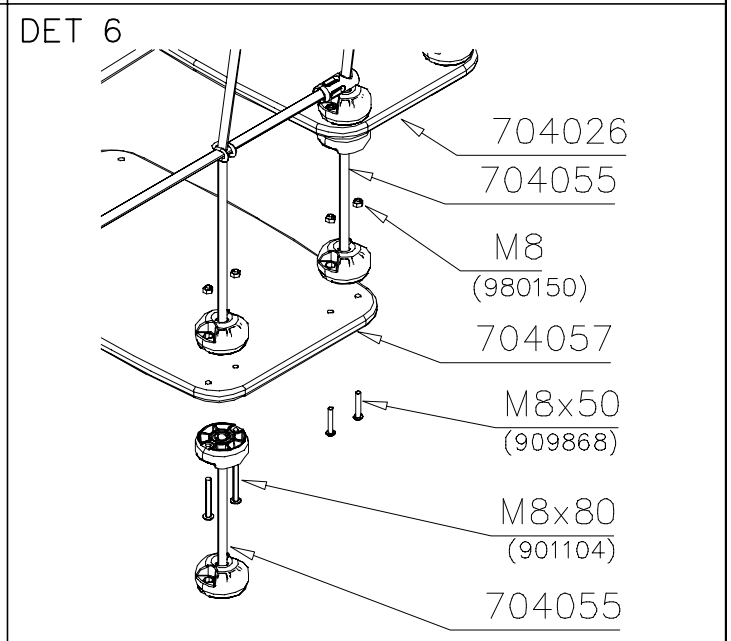
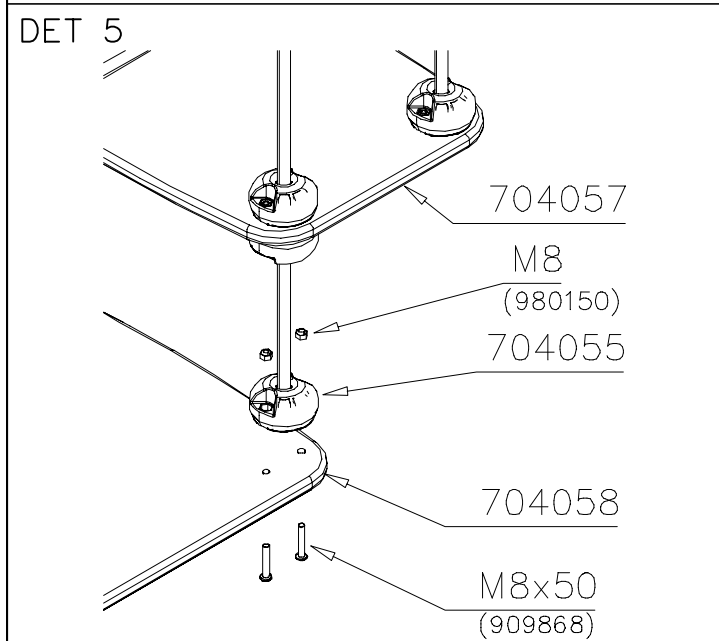
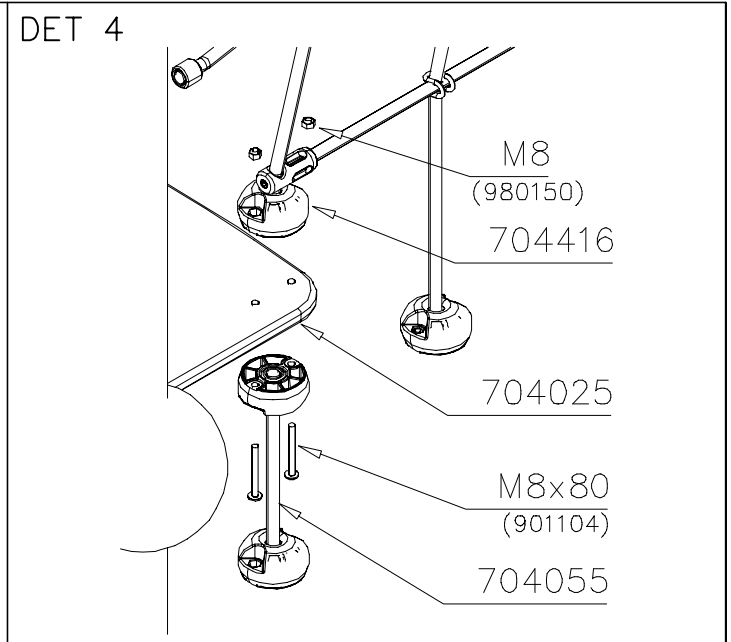
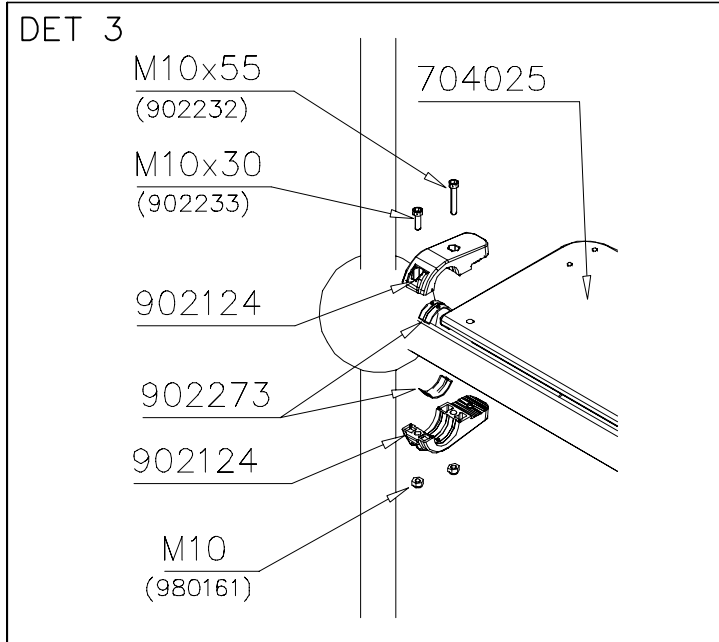


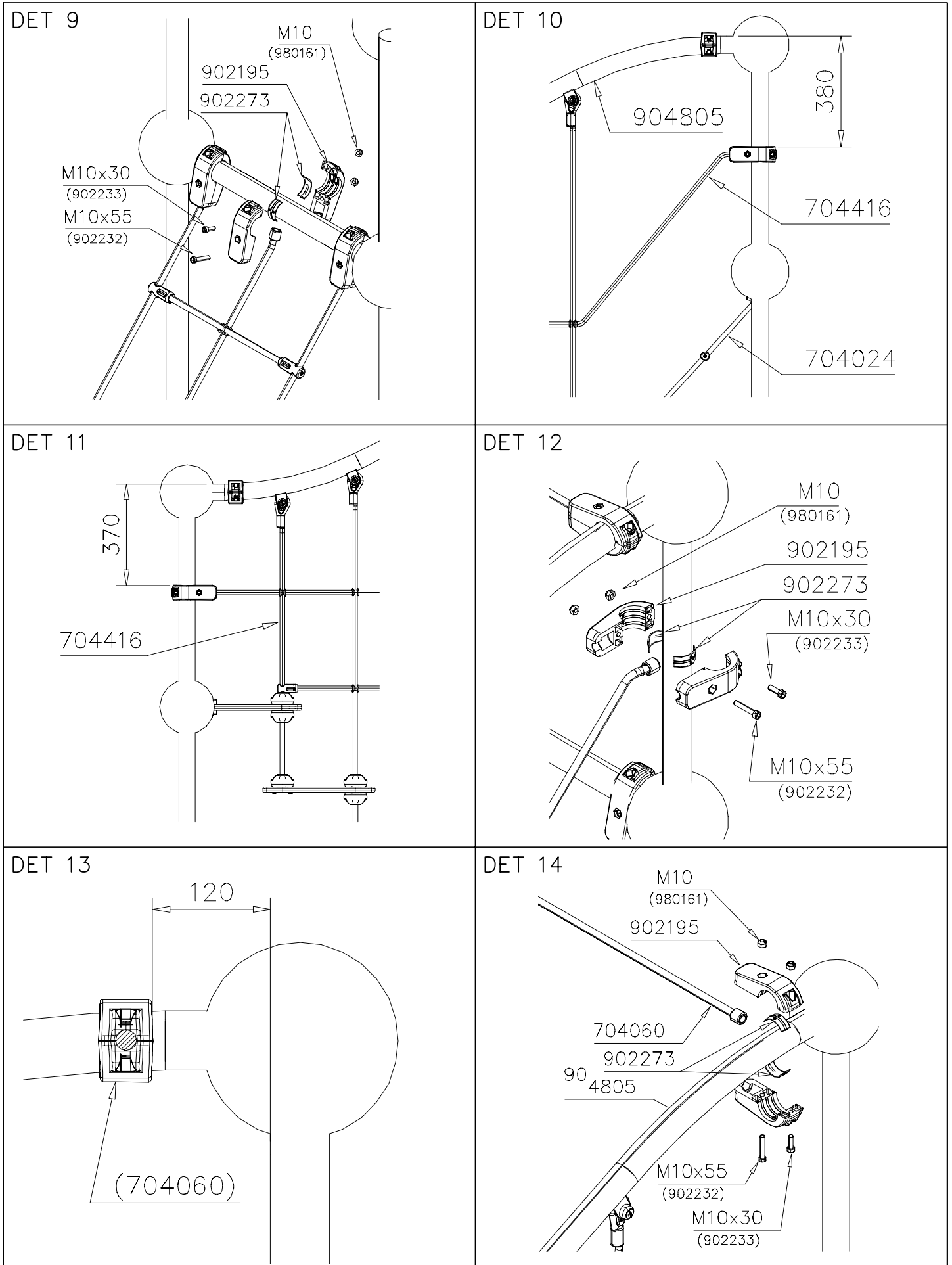
DET 1

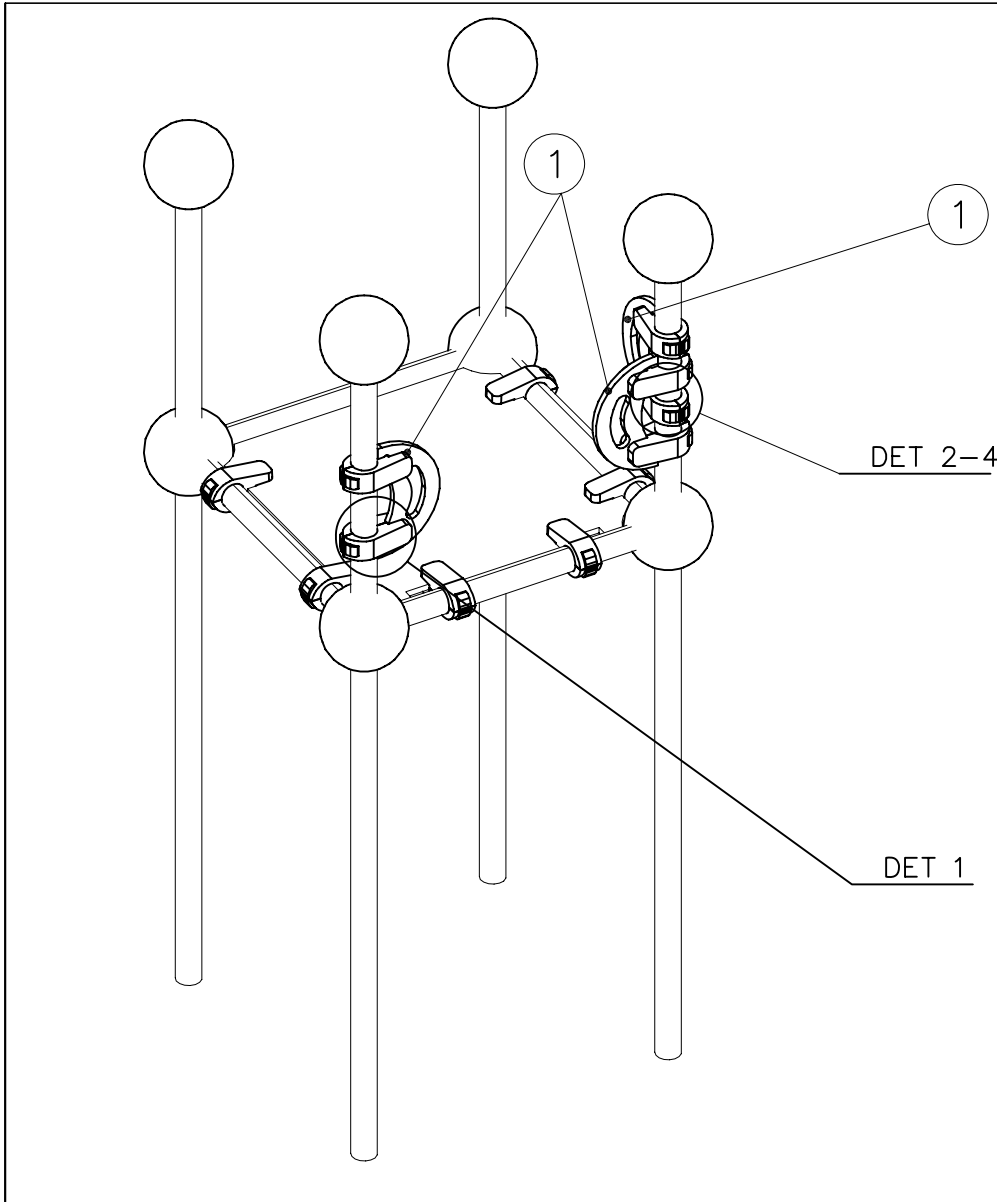


DET 2

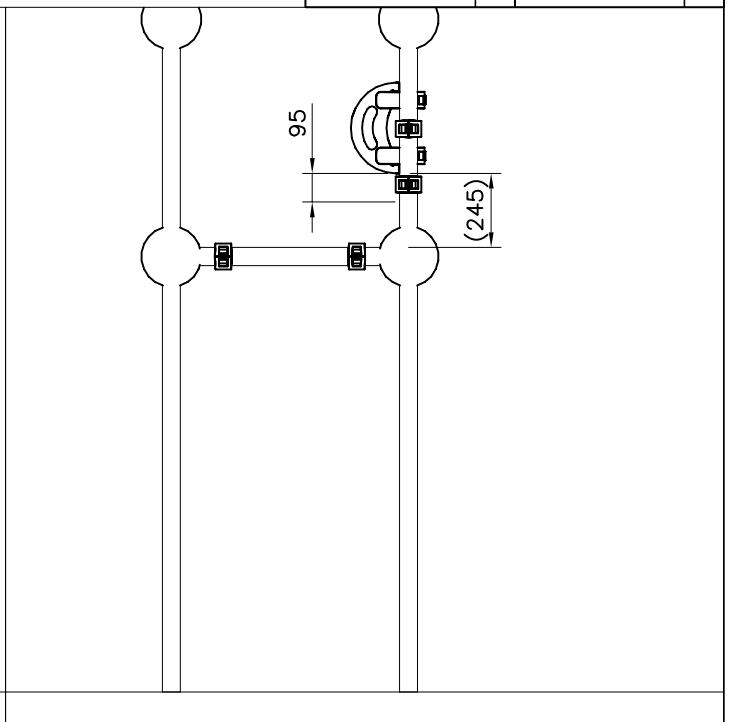
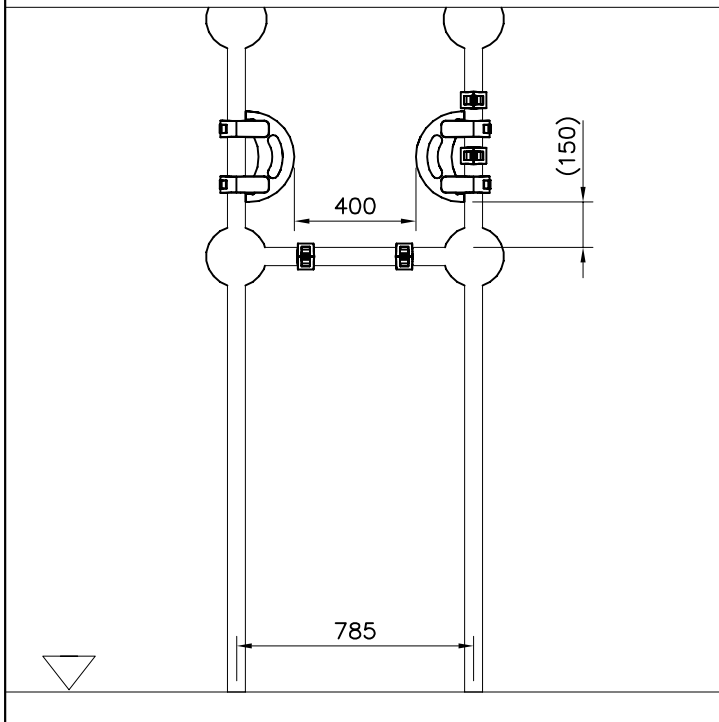




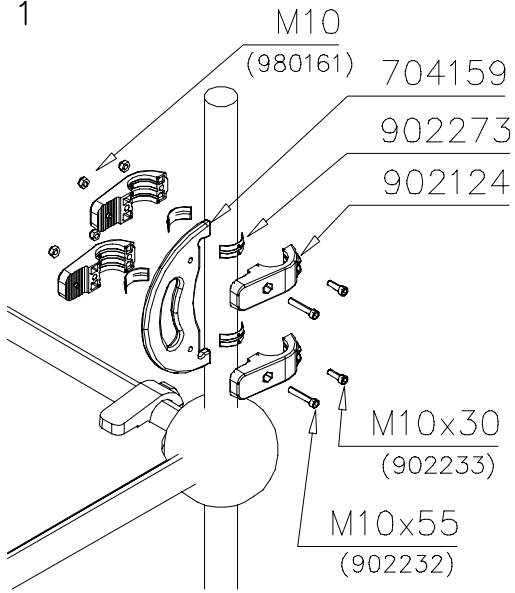




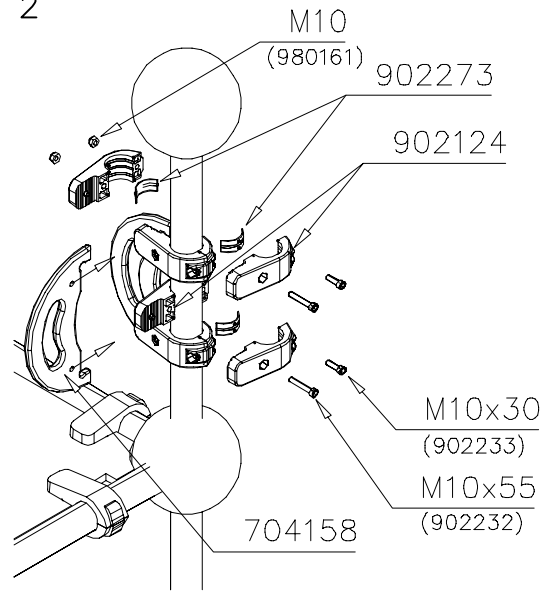
| | | | |
|----------|-----|-----------|-----|
| ① 704158 | PCS | ② 902124 | PCS |
| | 1 | | 4 |
| | | 150x50x50 | |
| ③ 902232 | PCS | ④ 902233 | PCS |
| | 2 | | 2 |
| M10x55 | | M10x30 | |
| ⑤ 902273 | PCS | ⑥ 980161 | PCS |
| | 4 | | 4 |
| | | M10 | |
| | PCS | | PCS |
| | | | |
| | PCS | | PCS |
| | | | |



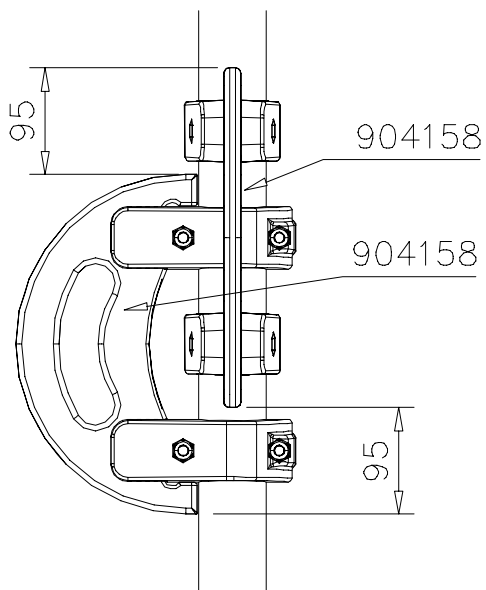
DET 1



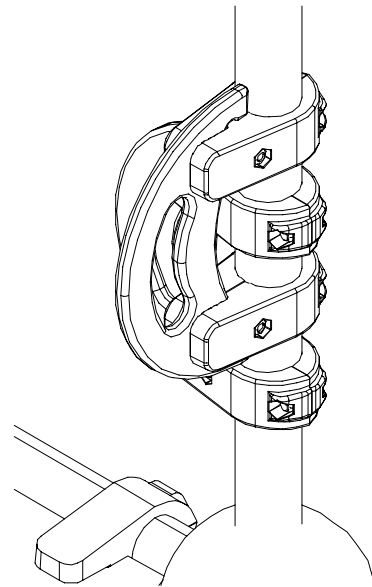
DET 2

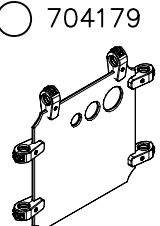
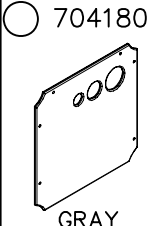
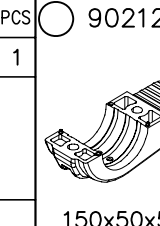
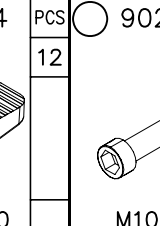
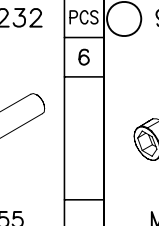
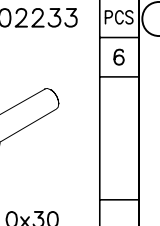
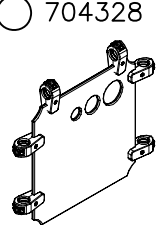
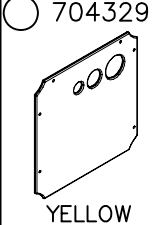
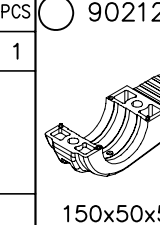
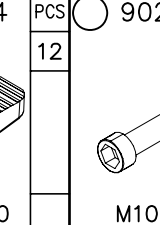
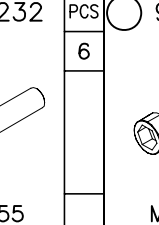
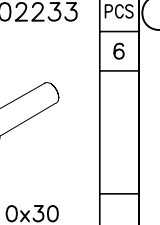
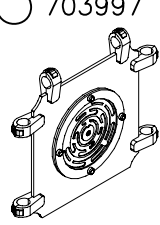
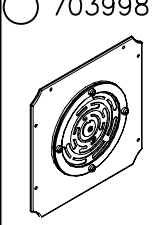
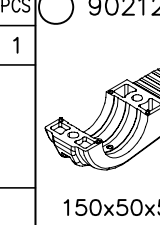
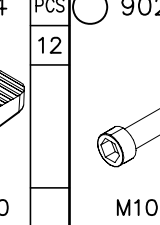
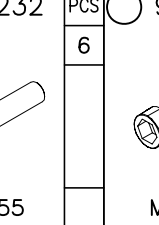
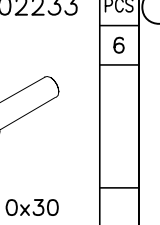
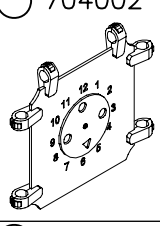
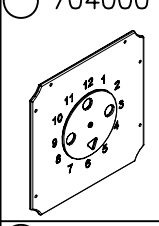
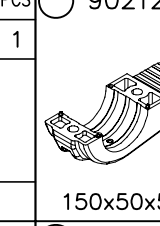
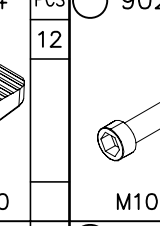
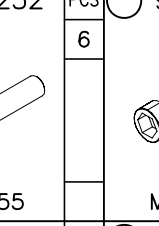
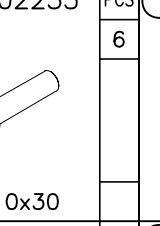
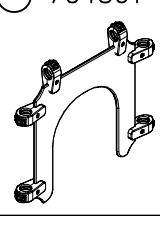
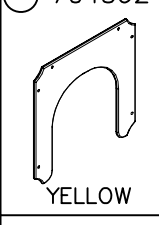
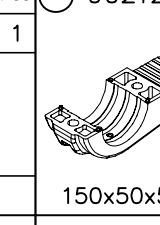
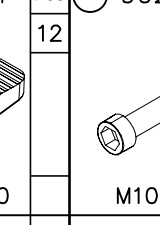
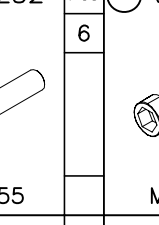
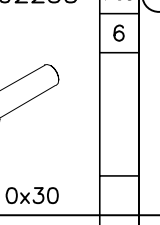


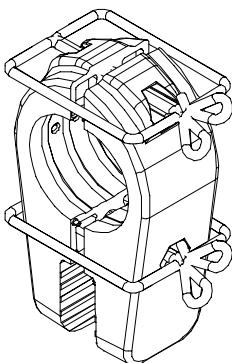
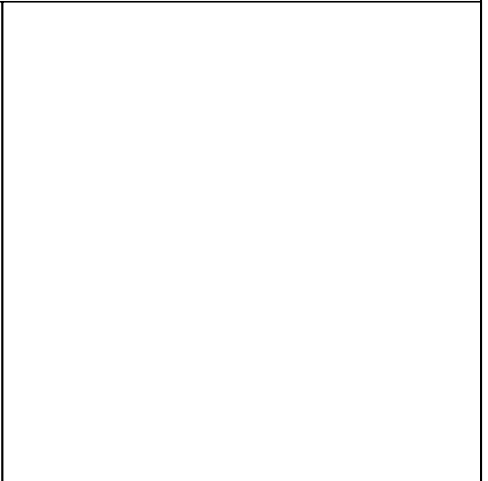
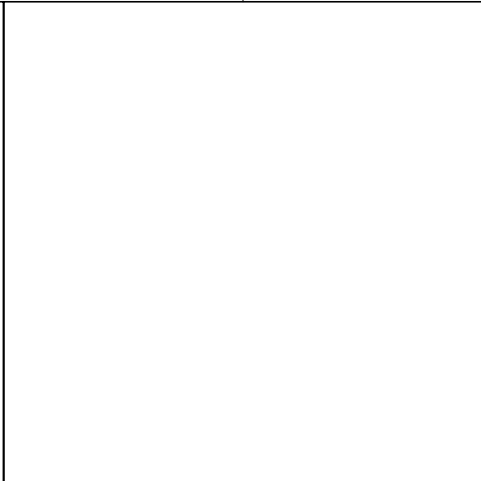
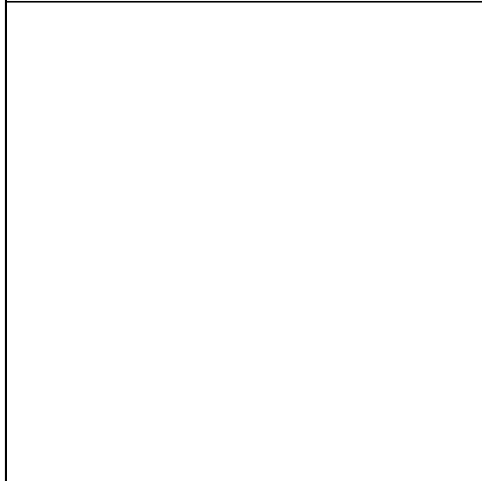
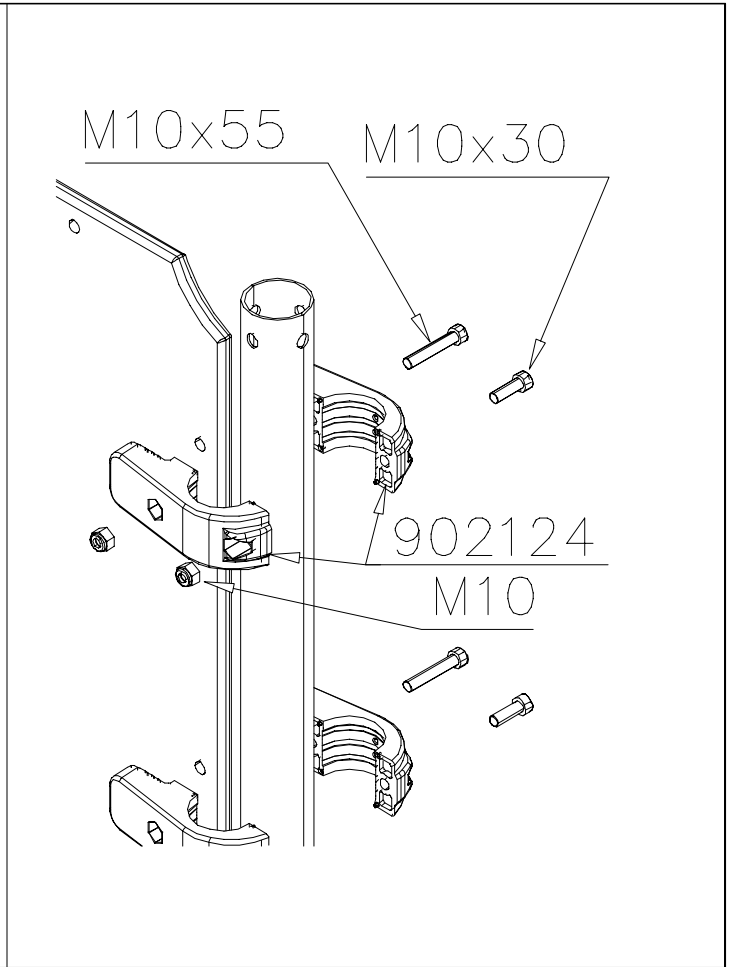
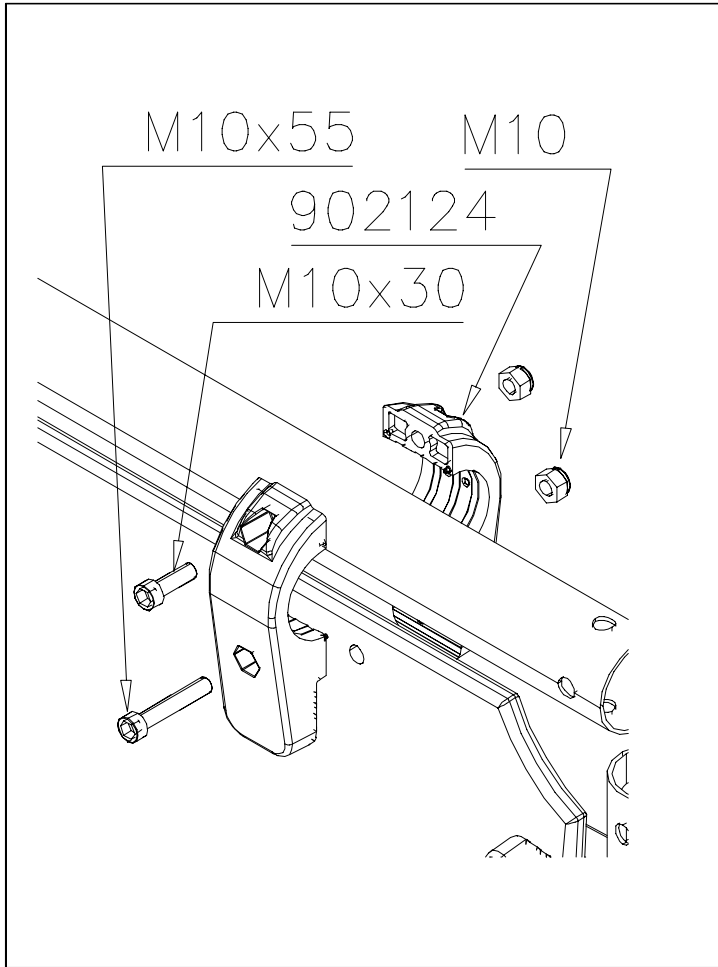
DET 3



DET 4

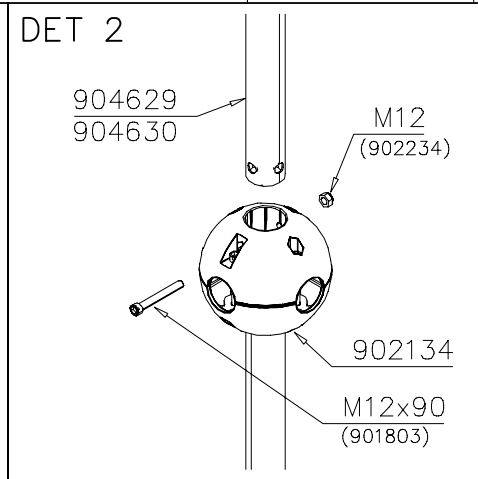
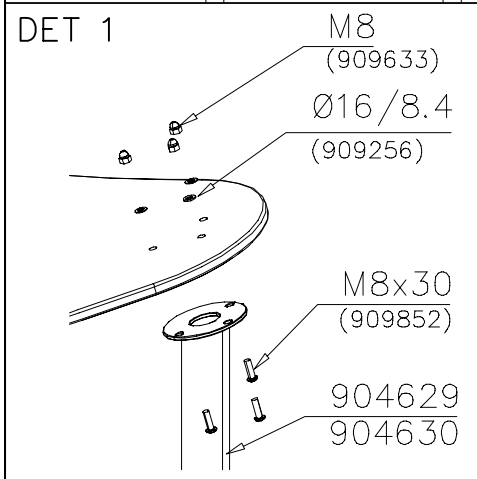
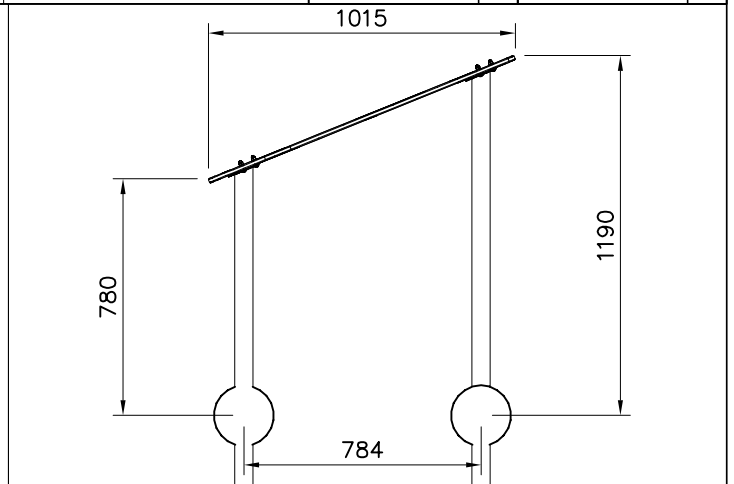
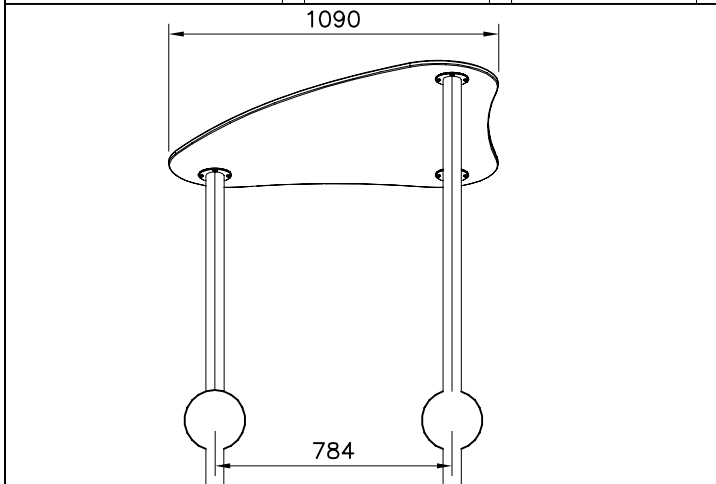
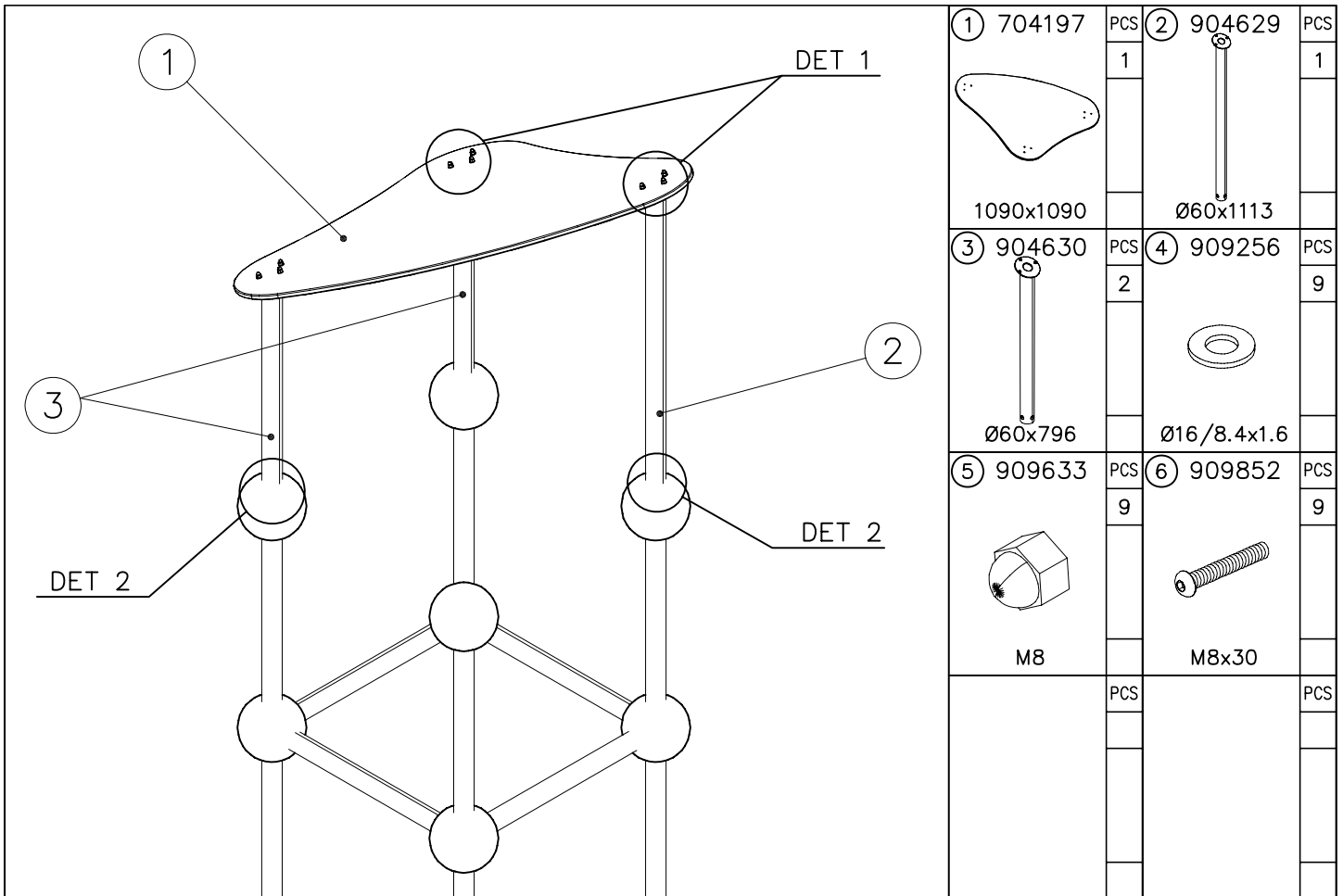


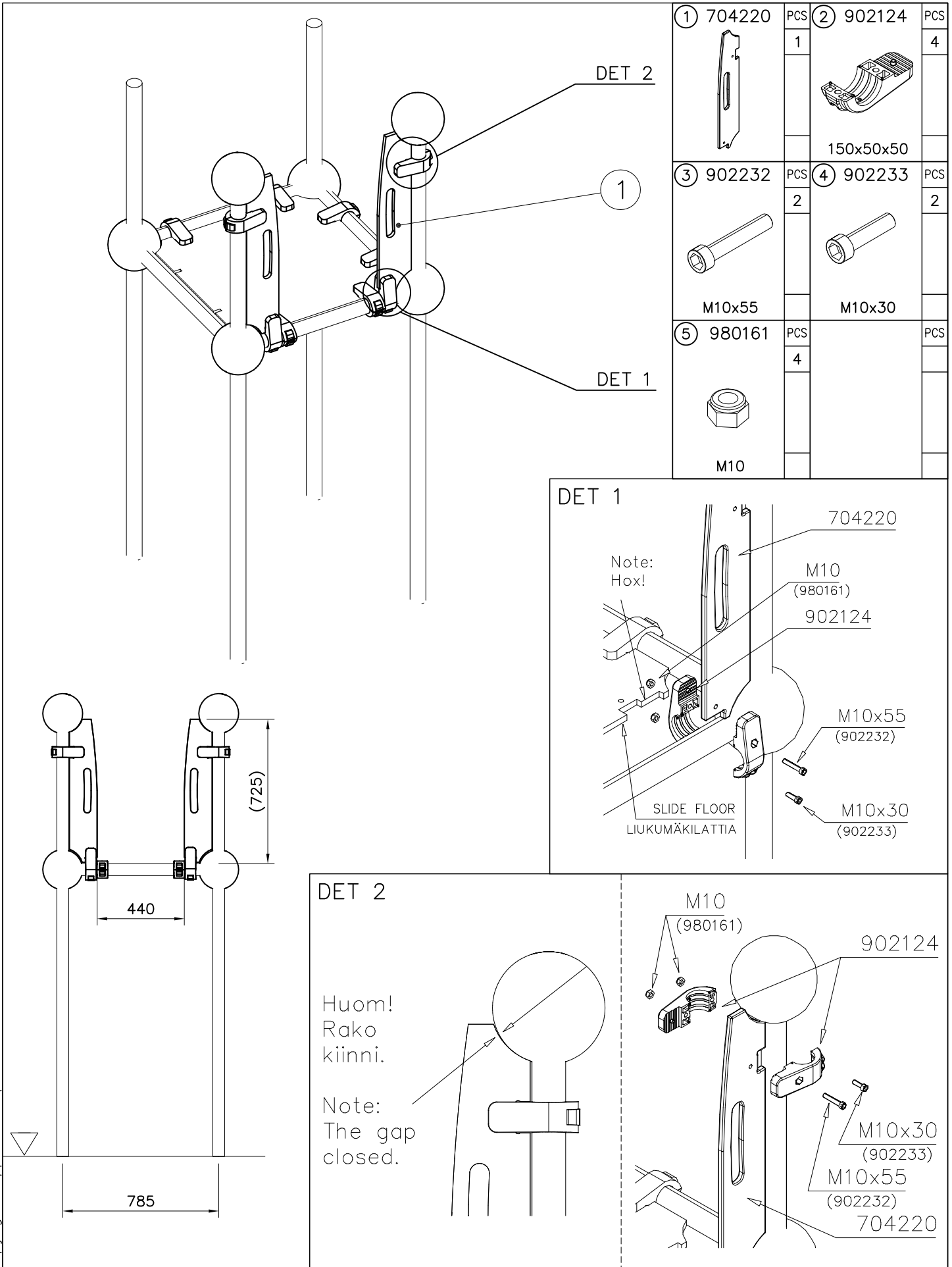
| | | | | | | | | | | | | |
|--|--|---------------------|--|----------------------|---|---------------------|---|---------------------|---|----------------------|--|------------|
|  <p>704179</p> |  <p>704180 GRAY</p> | <p>PCS</p> <p>1</p> |  <p>902124</p> <p>150x50x50</p> | <p>PCS</p> <p>12</p> |  <p>902232</p> <p>M10x55</p> | <p>PCS</p> <p>6</p> |  <p>902233</p> <p>M10x30</p> | <p>PCS</p> <p>6</p> |  <p>980161</p> <p>M10</p> | <p>PCS</p> <p>12</p> | | <p>PCS</p> |
|  <p>704328</p> |  <p>704329 YELLOW</p> | <p>PCS</p> <p>1</p> |  <p>902124</p> <p>150x50x50</p> | <p>PCS</p> <p>12</p> |  <p>902232</p> <p>M10x55</p> | <p>PCS</p> <p>6</p> |  <p>902233</p> <p>M10x30</p> | <p>PCS</p> <p>6</p> |  <p>980161</p> <p>M10</p> | <p>PCS</p> <p>12</p> | | <p>PCS</p> |
|  <p>703997</p> |  <p>703998</p> | <p>PCS</p> <p>1</p> |  <p>902124</p> <p>150x50x50</p> | <p>PCS</p> <p>12</p> |  <p>902232</p> <p>M10x55</p> | <p>PCS</p> <p>6</p> |  <p>902233</p> <p>M10x30</p> | <p>PCS</p> <p>6</p> |  <p>980161</p> <p>M10</p> | <p>PCS</p> <p>12</p> | | <p>PCS</p> |
|  <p>704002</p> |  <p>704000</p> | <p>PCS</p> <p>1</p> |  <p>902124</p> <p>150x50x50</p> | <p>PCS</p> <p>12</p> |  <p>902232</p> <p>M10x55</p> | <p>PCS</p> <p>6</p> |  <p>902233</p> <p>M10x30</p> | <p>PCS</p> <p>6</p> |  <p>980161</p> <p>M10</p> | <p>PCS</p> <p>12</p> | | <p>PCS</p> |
|  <p>704361</p> |  <p>704362 YELLOW</p> | <p>PCS</p> <p>1</p> |  <p>902124</p> <p>150x50x50</p> | <p>PCS</p> <p>12</p> |  <p>902232</p> <p>M10x55</p> | <p>PCS</p> <p>6</p> |  <p>902233</p> <p>M10x30</p> | <p>PCS</p> <p>6</p> |  <p>980161</p> <p>M10</p> | <p>PCS</p> <p>12</p> | | <p>PCS</p> |
| | | <p>PCS</p> | | <p>PCS</p> | | <p>PCS</p> | | <p>PCS</p> | | <p>PCS</p> | | <p>PCS</p> |
| | | <p>PCS</p> | | <p>PCS</p> | | <p>PCS</p> | | <p>PCS</p> | | <p>PCS</p> | | <p>PCS</p> |
| | | <p>PCS</p> | | <p>PCS</p> | | <p>PCS</p> | | <p>PCS</p> | | <p>PCS</p> | | <p>PCS</p> |

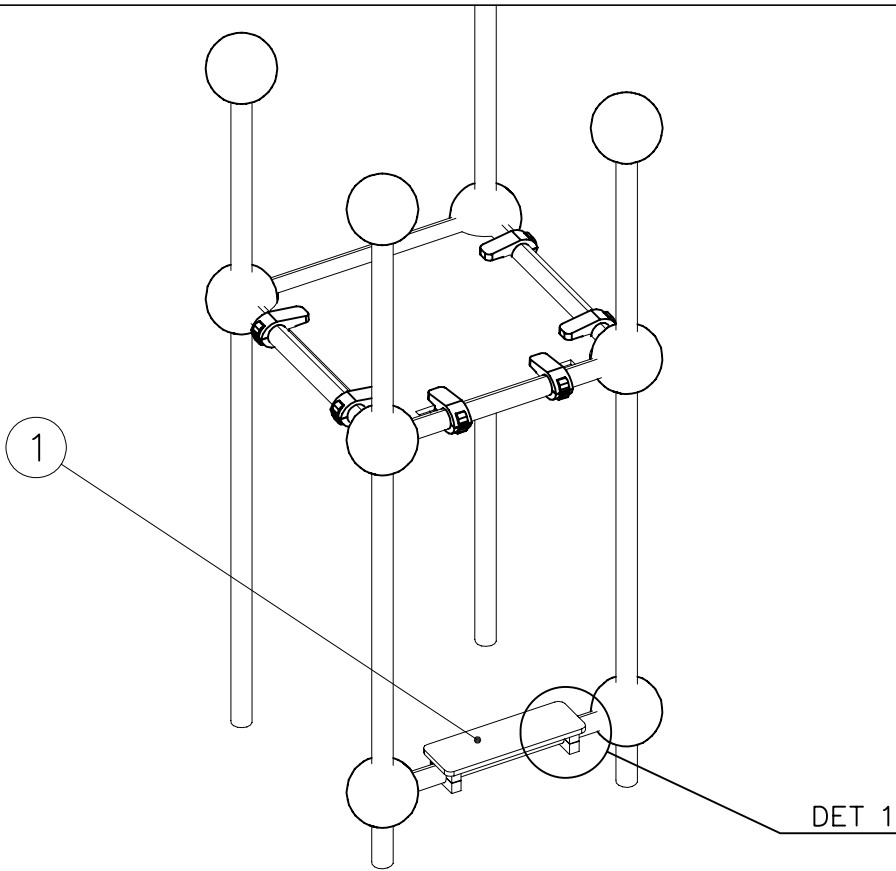


NOTE:
 Use a wire marked pairs
 of the same junction.

Huom!
 Käytä langalla merkittyä
 paria samassa liitoksessa.







| | | | |
|----------|-----|----------|-----|
| ① 704333 | PCS | ② 902454 | PCS |
| | 1 | | 4 |
| ③ 909111 | PCS | ④ 909644 | PCS |
| | 4 | | 4 |
| M12x100 | | M12 | |
| ⑤ 980154 | PCS | | PCS |
| | 4 | | |
| Ø24/13 | | | |
| | PCS | | PCS |
| | | | |
| | PCS | | PCS |
| | | | |

