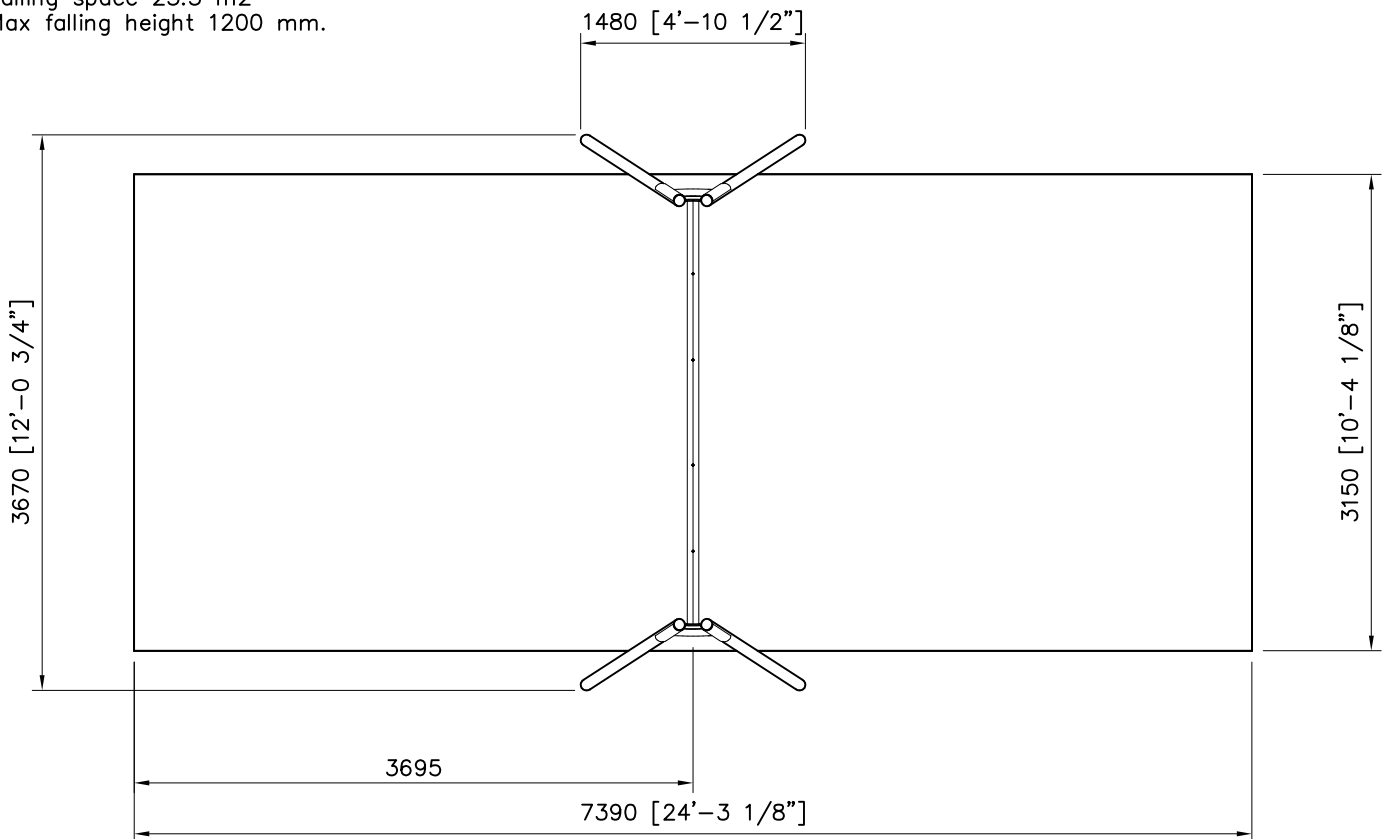
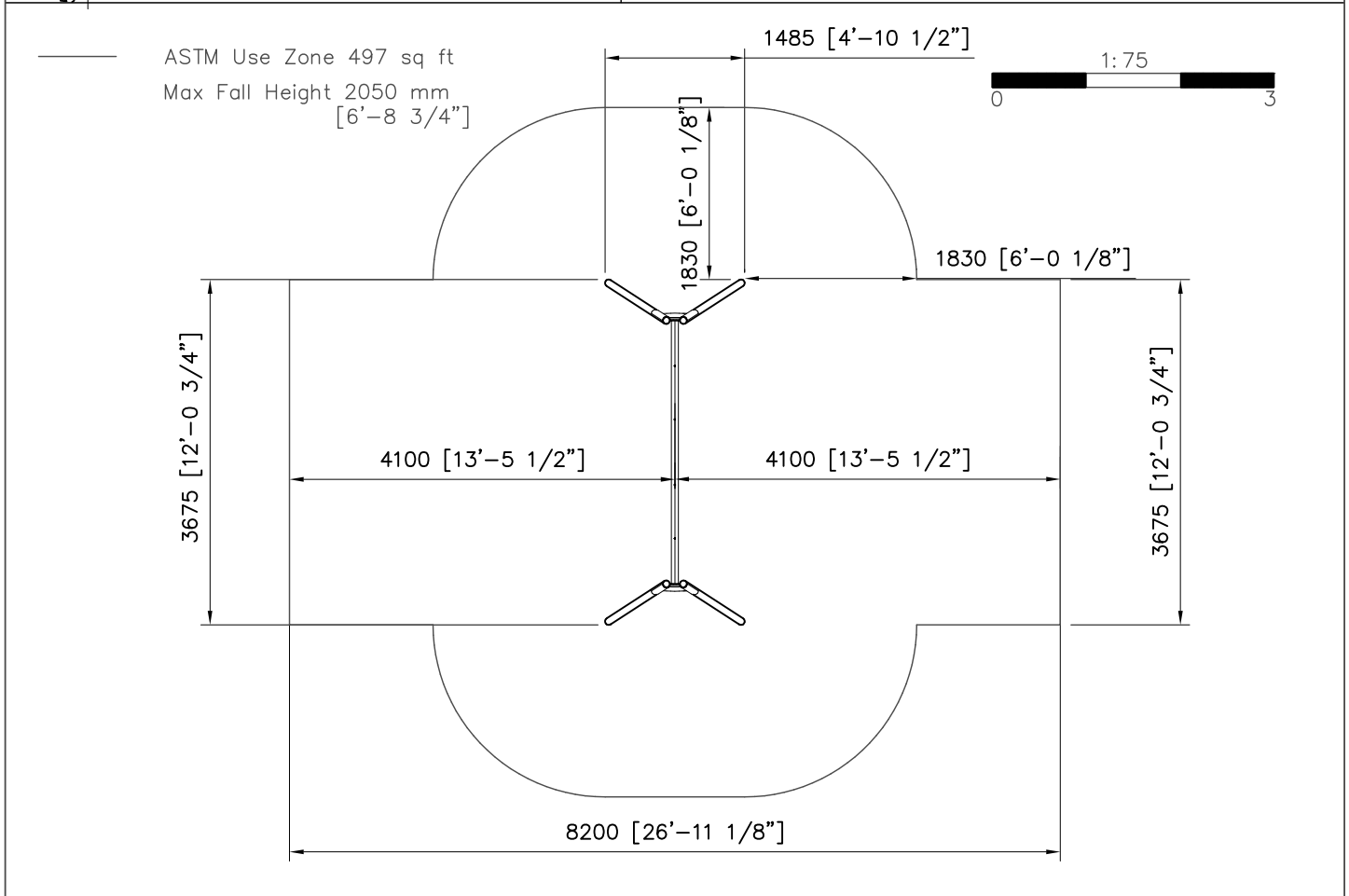
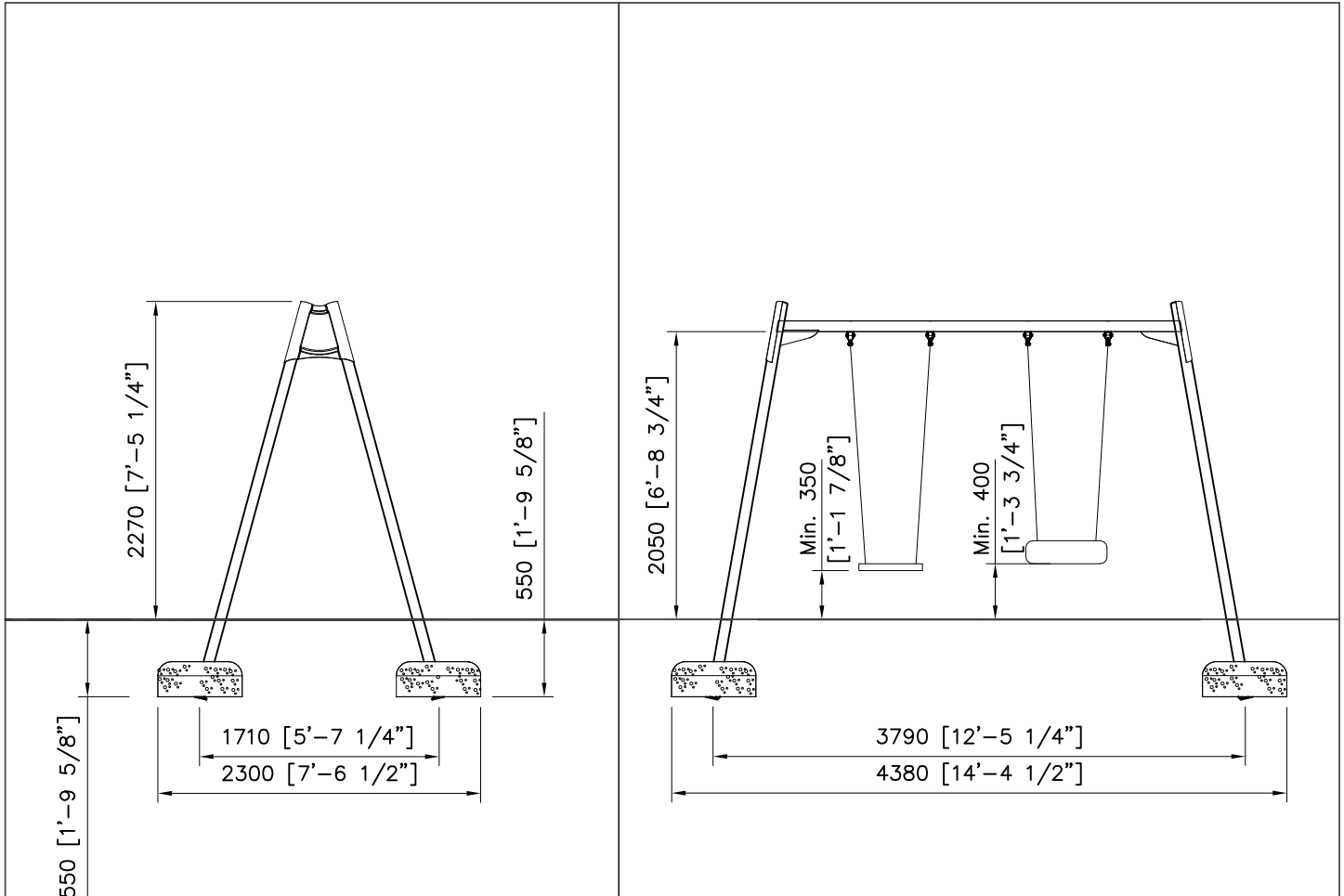


EN Impact Area 23.3 m²
Falling space 23.3 m²
Max falling height 1200 mm.













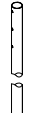



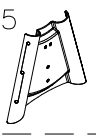



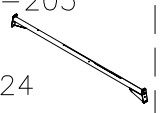
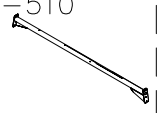
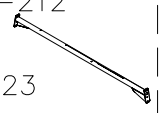


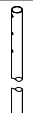


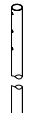
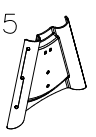



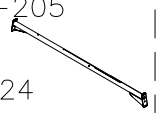
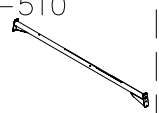
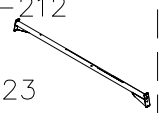
LAPPSET®

COLOUR OPTIONS

METAL SWINGS

DATE: 11.1.2017

1(2)

220001M, 220002M								
POST DEEP 260x260x1700	905171-205 RAL 7024		905171-510 HDG		905171-212 RAL 9023			
POST SURFACE 260x260x1700	905171-205 RAL 7024		905171-510 HDG		905171-212 RAL 9023			
220061M								
POST DEEP 121x121x2947	904435-205 RAL 7024		904435-510 HDG		904435-212 RAL 9023			
POST SURFACE 145x150x2412	904432-205 RAL 7024		904432-510 HDG		904432-212 RAL 9023			
PLATE 51x440x499	904422-205 RAL 7024		904422-510 HDG		904422-213 RAL 1018		904422-212 RAL 9023	
BOOM 88x237x2942	904428-205 RAL 7024		904428-510 HDG		904428-212 RAL 9023			
220062M								
POST DEEP 121x121x3367	904436-205 RAL 7024		904436-510 HDG		904436-212 RAL 9023			
POST SURFACE 145x150x2832	904424-205 RAL 7024		904424-510 HDG		904424-212 RAL 9023			
PLATE 51x440x499	904422-205 RAL 7024		904422-510 HDG		904422-213 RAL 1018		904422-212 RAL 9023	
BOOM 88x237x2942	904428-205 RAL 7024		904428-510 HDG		904428-212 RAL 9023			










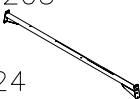

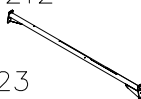


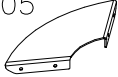

LAPPSET®

COLOUR OPTIONS

METAL SWINGS

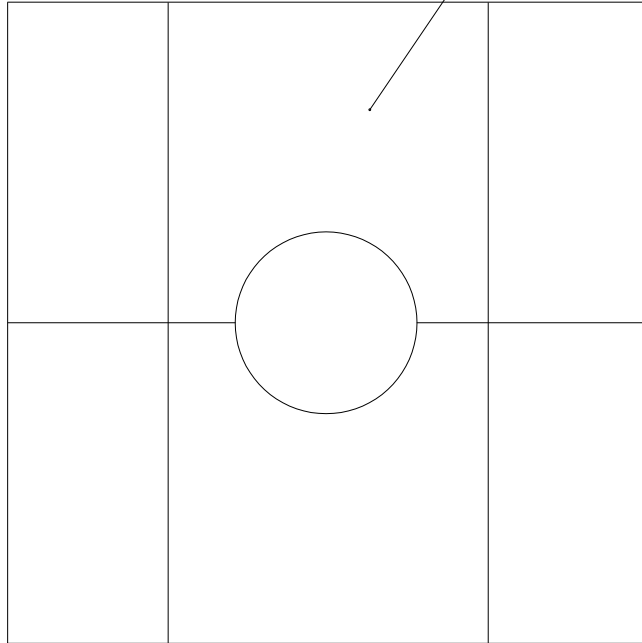
DATE: 11.1.2017

2(2)

220066M						
POST DEEP 121x121x3367	904436-205 RAL 7024		904436-510 HDG		904436-212 RAL 9023	
POST SURFACE 145x150x2832	904424-205 RAL 7024		904424-510 HDG		904424-212 RAL 9023	
PLATE 51x440x499	904422-205 RAL 7024		904422-510 HDG		904422-213 RAL 1018	
BOOM 88x237x2942	905636-205 RAL 7024		905636-510 HDG		905636-212 RAL 9023	
220005						
POST DEEP 350x350x2590	904700-205 RAL 7024					
POST SURFACE 175x175x2386	904484-205 RAL 7024					
PLATE 70x211x582	904548-205 RAL 7024					
BOOM 96x261x3100	904491-205 RAL 7024					

												
<p>$h < 600$</p> <p>Without movement and therefore without Impact Area</p>	<p>Totally hard surfaces.</p> <p>Note. Lappset does <u>not recommend</u> totally hard surfaces at all.</p>	<p>E.g. concrete or asphalt</p> 										
<p>$h < 600$</p> <p>With movement e.g. rocking</p>	<p>Materials with very limited impact attenuating properties.</p>	<p>E.g. wood</p> 										
<p>$h < 1000$</p>	<p>Materials with significant impact attenuating properties.</p>	<p>fine gravel 0–8 mm</p>  <p>grass</p>  <p>unsorted sand</p> 										
<p>$h < 3000$</p>	<p>Loose fill material</p> <p>E.g. sand/gravel 0,25...8 mm D60/D10<3,0 Woodchips 5...30 mm bark 20...80 mm</p>	 <table data-bbox="1024 1691 1332 1792"> <tr> <td>\underline{S}</td> <td>\underline{h}</td> </tr> <tr> <td>30 cm</td> <td>< 2,0 m</td> </tr> <tr> <td>40 cm</td> <td>< 3,0 m</td> </tr> </table>	\underline{S}	\underline{h}	30 cm	< 2,0 m	40 cm	< 3,0 m				
\underline{S}	\underline{h}											
30 cm	< 2,0 m											
40 cm	< 3,0 m											
	<p>Syntethic granulates</p> <table data-bbox="406 1892 758 2060"> <tr> <td>\underline{S}</td> <td>\underline{h}</td> </tr> <tr> <td>40 mm</td> <td>~> 1,2...1,3 m</td> </tr> <tr> <td>50 mm</td> <td>~> 1,5...1,7 m</td> </tr> <tr> <td>60 mm</td> <td>~> 1,8...2,0 m</td> </tr> <tr> <td>70 mm</td> <td>~> 2,1...2,5 m</td> </tr> </table> <p>Note. For accurate values, see manufacturer's instructions.</p>	\underline{S}	\underline{h}	40 mm	~> 1,2...1,3 m	50 mm	~> 1,5...1,7 m	60 mm	~> 1,8...2,0 m	70 mm	~> 2,1...2,5 m	
\underline{S}	\underline{h}											
40 mm	~> 1,2...1,3 m											
50 mm	~> 1,5...1,7 m											
60 mm	~> 1,8...2,0 m											
70 mm	~> 2,1...2,5 m											

REMOVE SAFETY SURFACE/SAND/GRAVEL
TO CHECK FOUNDATION



REMOVE SAFETY SURFACE/SAND/GRAVEL
TO CHECK FOUNDATION



DET A

Ø24/13 (980154)
 M12x30 (903149)
 M12 (909644)
 80Nm (M12)
 M10 (900965)
 45Nm (M10)
 M10x25 (909639)
 Ø20/10.5 (909638)
 905991 1 pcs

- M12x30 2 pcs
- Ø24/13 4 pcs
- M12 2 pcs
- M10x25 2 pcs
- Ø20/10.5 4 pcs
- M10 2 pcs
- 905991 1 pcs

DET A

999561
 GLUE
 Ø24/13 (980154)
 905115
 12x35 (909347)
 905090

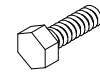
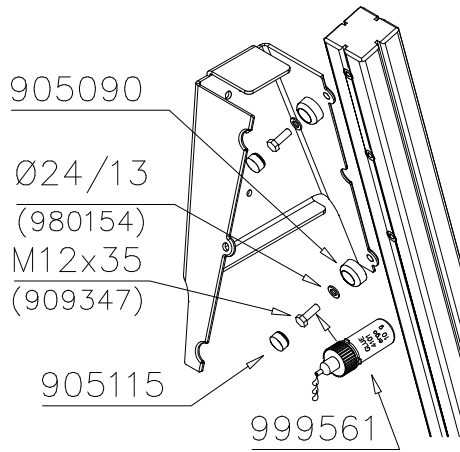
- M12x35 6 pcs
- Ø24/13 6 pcs
- Ø45 6 pcs
- Ø30 6 pcs
- GLUE

DET B

Ø24/13 (980154)
 M12x30 (903149)
 M12 (909644)
 80Nm
 M10 (900965)
 45Nm
 M10x25 (909639)
 Ø20/10.5 (909638)

- M12x30 2 pcs
- Ø24/13 4 pcs
- M12 2 pcs
- M10x25 2 pcs
- Ø20/10.5 4 pcs
- M10 2 pcs

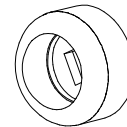
DET B



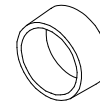
M12x35 6 pcs



Ø24/13 6 pcs



Ø45 6 pcs

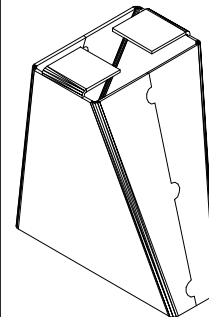
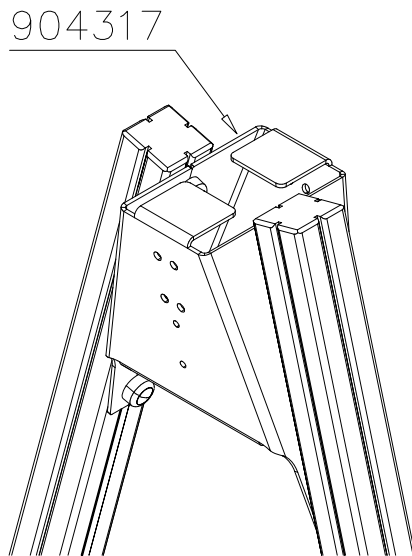


Ø30 6 pcs



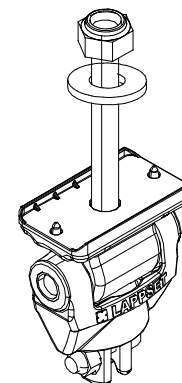
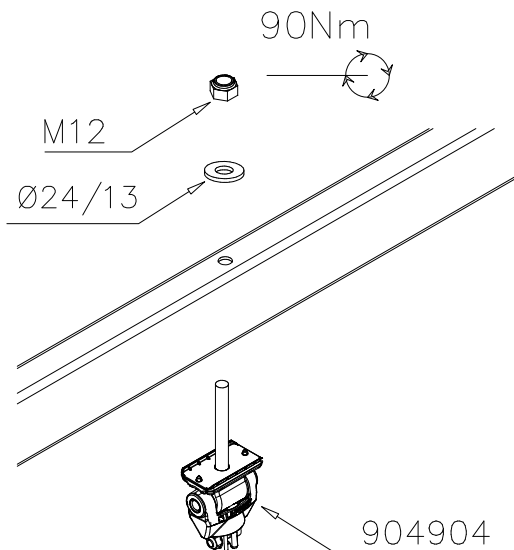
GLUE

DET B



904317

DET C



904904

DET D

90Nm

M12x110 (906499)

Ø24/13 (980154)

901958

M8x35

Ø24/13 (980154)

M12 (902234)

M8

CUT EXTRA CHAIN

M12x110 2 pcs

Ø24/13 4 pcs

M12 2 pcs

901958 1 pcs

DET D

903577

903577 1 pcs

DET E

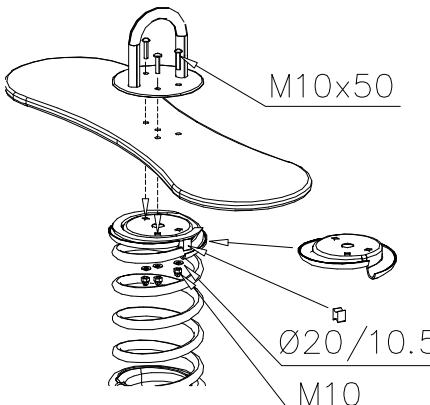
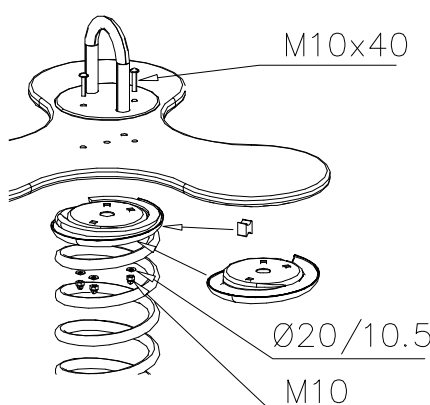
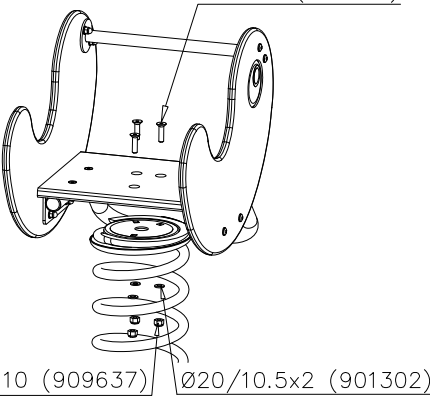
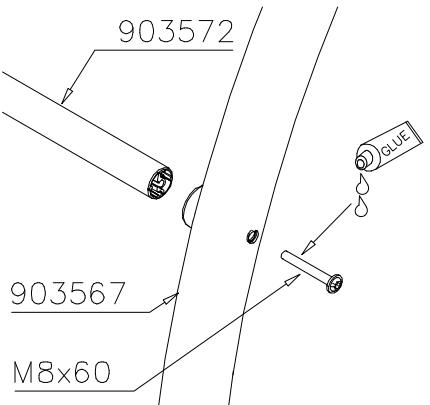
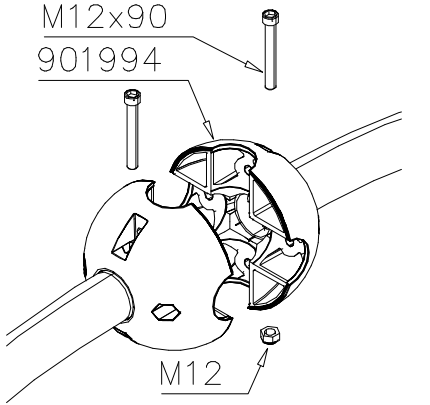
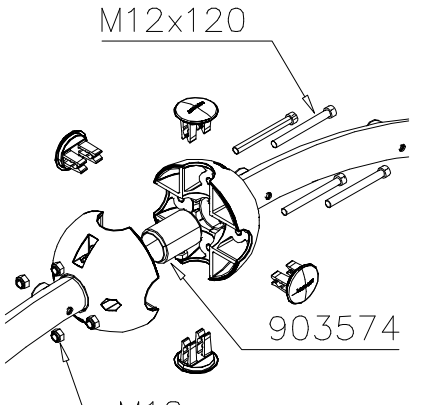
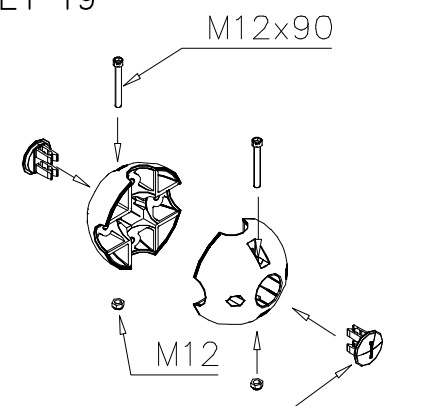
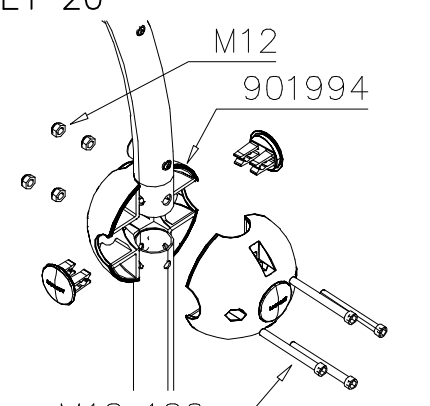
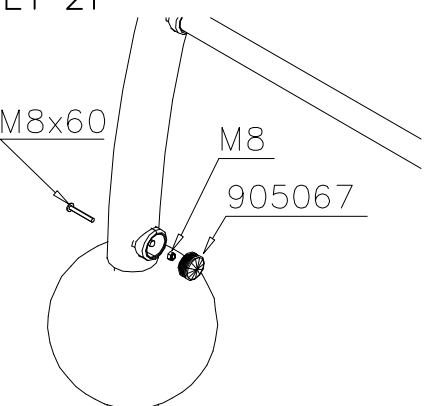
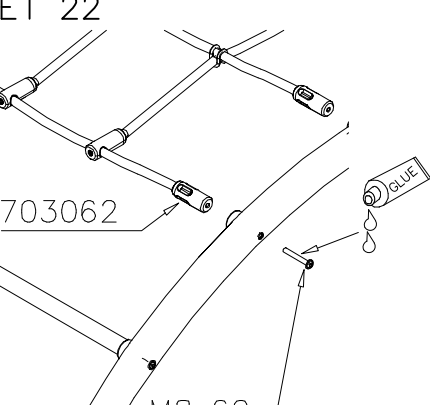
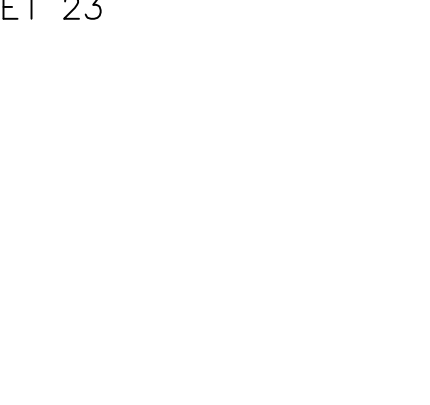
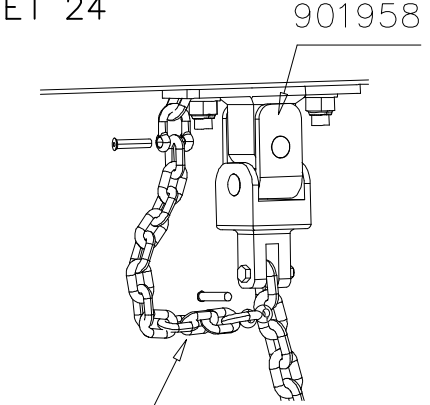
6x60 980131

980131 4 pcs

905138 1 pcs

905196 1 pcs

<p>DET 1</p> <p>M8x50</p> <p>702845</p> <p>M8</p>	<p>DET 2</p> <p>M8x60 902625</p> <p>702845</p> <p>M8</p>	<p>DET 3</p>
<p>DET 4</p> <p>CUT EXTRA CHAIN</p>	<p>DET 5</p> <p>90Nm</p> <p>M12x110</p> <p>Ø24/13</p> <p>901958</p> <p>M8x35</p> <p>Ø24/13</p> <p>M12 NYLOC</p> <p>M8</p> <p>CUT EXTRA CHAIN</p>	<p>DET 6</p> <p>M12x120 Ø24/12 904801</p> <p>907621</p> <p>901958</p> <p>M8x35</p> <p>Ø24/13</p> <p>M12 NYLOC</p> <p>M8</p> <p>CUT EXTRA CHAIN</p>
<p>DET 7</p> <p>M12x40</p> <p>M12</p> <p>902012</p>	<p>DET 8</p> <p>NOTE: Aluminum thread fasten carefully.</p> <p>903388</p> <p>M8x30</p>	<p>DET 9</p> <p>NOTE: Aluminum thread fasten carefully.</p> <p>702850</p> <p>M8x30</p> <p>903388</p>
<p>DET 10</p> <p>902623</p> <p>M8</p> <p>Ø16/8.4</p> <p>Ø16/8.4</p> <p>M8x30</p>	<p>DET 11</p> <p>M8x30</p> <p>Ø16/8.4</p> <p>M8</p>	<p>DET 12</p> <p>902624</p> <p>M8</p>

<p>DET 13</p>  <p>M10x50</p> <p>Ø20/10.5</p> <p>M10</p>	<p>DET 14</p>  <p>M10x40</p> <p>Ø20/10.5</p> <p>M10</p>	<p>DET 15</p>  <p>M10x40 (901487)</p> <p>M10 (909637)</p> <p>Ø20/10.5x2 (901302)</p>
<p>DET 16</p>  <p>903572</p> <p>903567</p> <p>M8x60</p> <p>GLUE</p>	<p>DET 17</p>  <p>M12x90</p> <p>901994</p> <p>M12</p>	<p>DET 18</p>  <p>M12x120</p> <p>903574</p> <p>M12</p>
<p>DET 19</p>  <p>M12x90</p> <p>M12</p> <p>902157</p>	<p>DET 20</p>  <p>M12</p> <p>901994</p> <p>M12x120</p>	<p>DET 21</p>  <p>M8x60</p> <p>M8</p> <p>905067</p>
<p>DET 22</p>  <p>703062</p> <p>M8x60</p> <p>GLUE</p>	<p>DET 23</p> 	<p>DET 24</p>  <p>901958</p> <p>903577</p>

DET 25-26

M12x120

904100

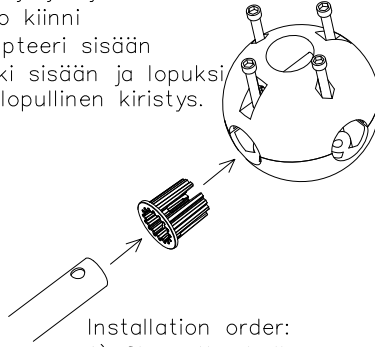
904015

904102

Kun putken pää osuu adapterin kynsiin, adapteri tiukentuu paikoilleen.

Asennusjärjestys:

- 1) Pallo kiinni
- 2) Adapteri sisään
- 3) putki sisään ja lopuksi pallon lopullinen kiristys.



Installation order:

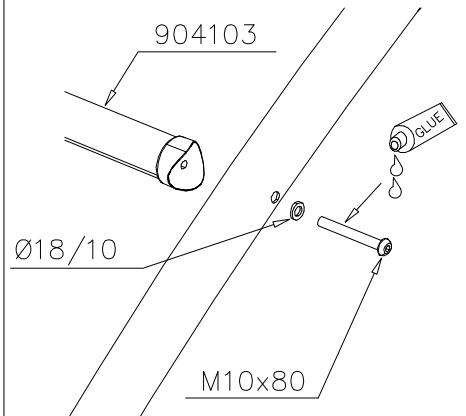
- 1) Close the ball
- 2) Insert adapter
- 3) Insert tube and tighten screws.

DET 27

904103

Ø18/10

M10x80



DET 28

906621

M12x35
(909347)

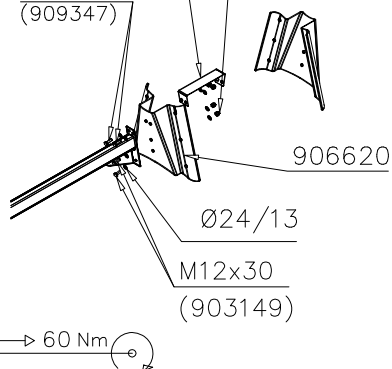
M12

906620

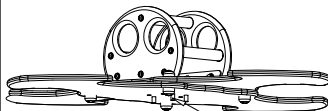
Ø24/13

M12x30
(903149)

M12 → 60 Nm



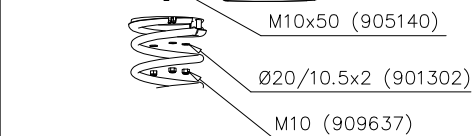
DET 29



M10x50 (905140)

Ø20/10.5x2 (901302)

M10 (909637)



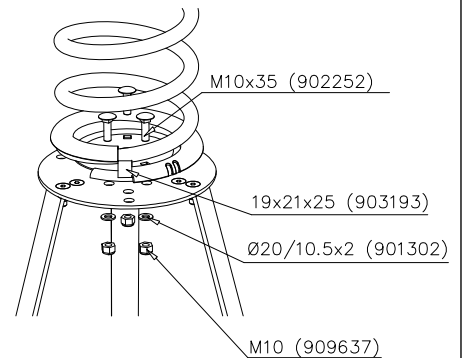
DET 30

M10x35 (902252)

19x21x25 (903193)

Ø20/10.5x2 (901302)

M10 (909637)



DET 31

M12 → 60 Nm

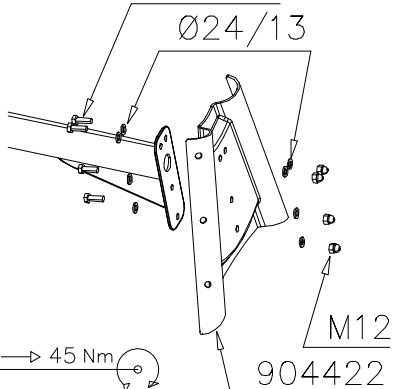
M12x30

Ø24/13

M10 → 45 Nm

M12

904422



DET 32

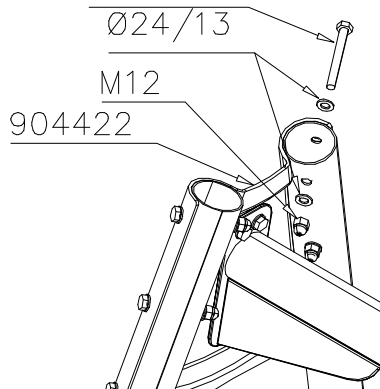
M12 → 60 Nm

M12x100

Ø24/13

M12

904422



DET 33

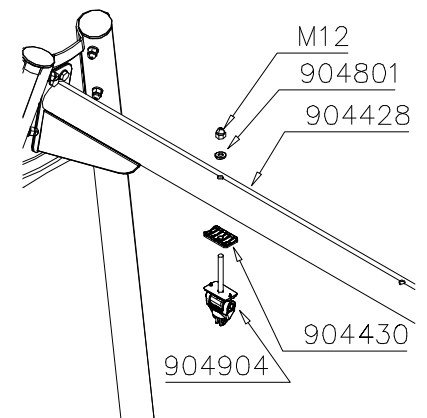
M12

904801

904428

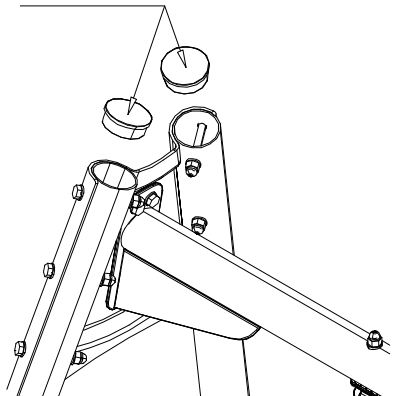
904430

904904

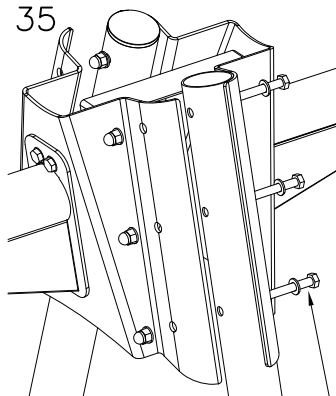


DET 34

904800



DET 35



M12x110

DET 36

**Tuotekyltti tulee tuotteen mukana yhdellä seuraavista tavoista:****1) Metallinen tuotekyltti ja kiinnitysruuvit**

- Kiinnitä tuotekyltti ruuveilla tolppaan noin 2 metrin korkeuteen kuvan 1 mukaisesti.

2) Tuotekylttitarra

- Puhdista maalattu metalli- tai vaneripinta pölystä ja kosteudesta. Liimaa tarra kuvan 2 mukaisesti.
- Huom. Älä kiinnitä tarraa karheapintaiseen laminaattiin tai maalattuun puuhun.

Vår produktmärkning levereras på ett av följande sätt:**1) Produktskylt i metall**

- Fäst skylten med de medföljande skruvarna

2) Självhäftande produktetikett

- Rengör den pulverlackerade metallytan eller laminatyten så att den blir fri från smuts och fukt. Fäst etiketten enligt fig. 2.
- Obs! Fäst ej etiketten på detaljer med skrovlig yta eller på målat trä.

Product label is delivered by one of following ways:**1) Metal product label and screws**

- Fasten the label with screws.

2) Label sticker

- Clean the painted metal or plywood surface from dirt and moisture. Fasten the sticker as shown in the figure 2.
- Note. Do not attach the sticker to rough surfaced laminate or painted wood.

La plaque d'informations produit est livrée sous l'une de ces 3 formes :**1) Plaque métallique et vis**

- Fixez la plaque à l'aide des vis.

2) Etiquette autocollante

- Avant de coller l'étiquette, nettoyez le composant métallique peint ou la plaque de contreplaqué, de toute saleté. La surface doit être sèche (voir image 2).
- Attention, ne pas coller l'étiquette sur une surface lamellé-collée irrégulière ou sur du bois peint.

Die Auslieferung des Produktaufklebers erfolgt auf eine dieser Arten:**1) Produkt-Schild aus Metall incl. Schrauben**

- Die Befestigung des Schildes erfolgt mittels der Schrauben.

2) Aufkleber

- Entfernen Sie zunächst Schmutz und Feuchtigkeit vom lackierten Metall bzw. von der Holzoberfläche und bringen Sie den Aufkleber wie im Bild oben rechts beschrieben auf den gesäuberten Untergrund auf.
- Beachten Sie: Bringen Sie den Aufkleber nicht auf raues laminiertes oder lackiertes Holz an.