

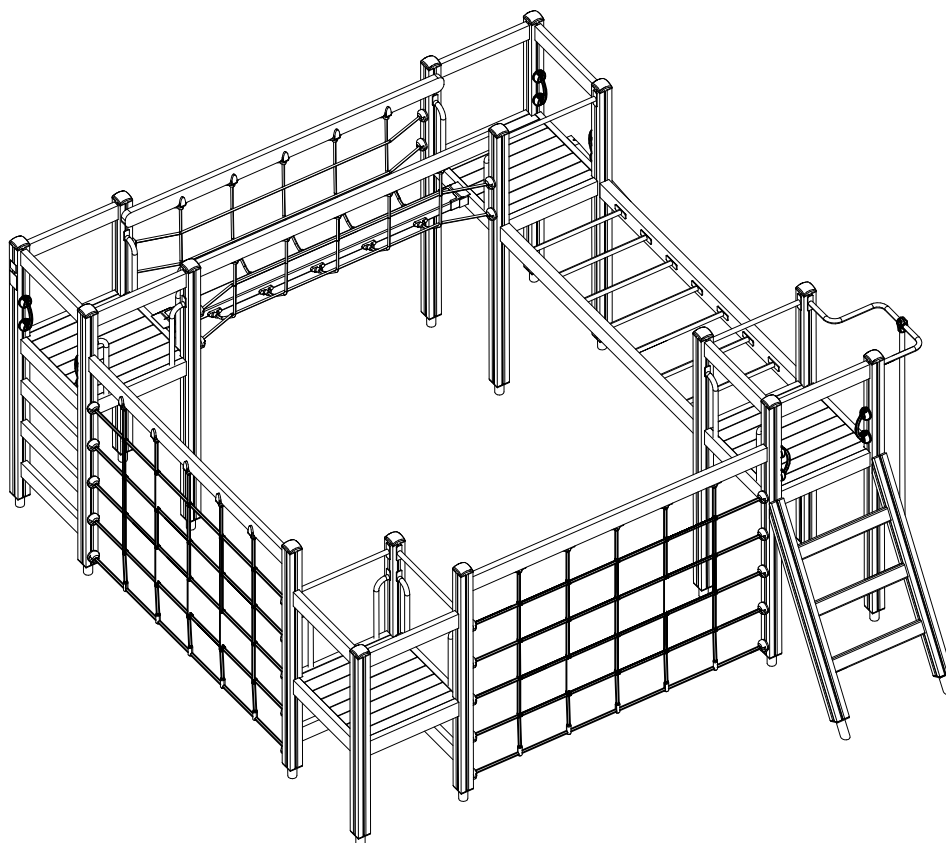
LAPPSET®

CLOVER


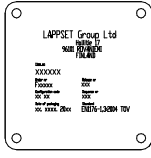
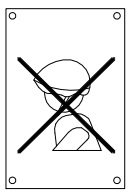
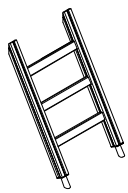
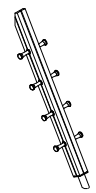
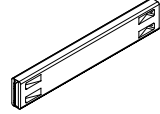
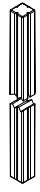
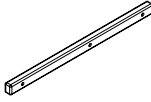


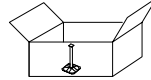
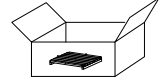
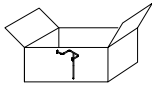
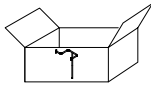
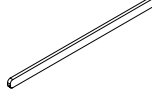
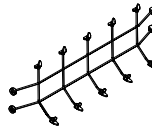

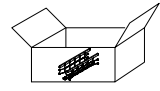
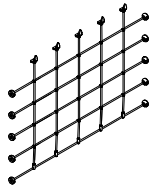
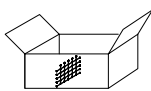

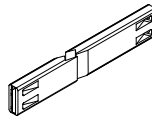

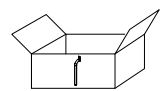
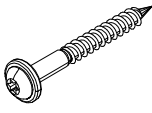
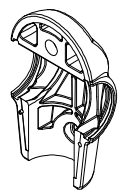

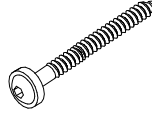
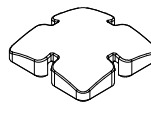
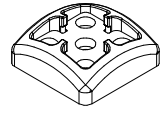
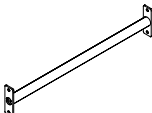
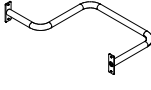


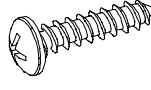

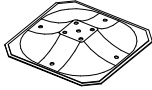
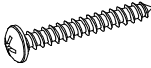
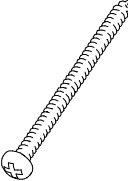
ASENNUSOHJE
MONTERINGSANSVISNING
INSTALLATION INSTRUCTION
AUFBAUANLEITUNG
NOTICE D'INSTALLATION

DATE: 11.1.2018

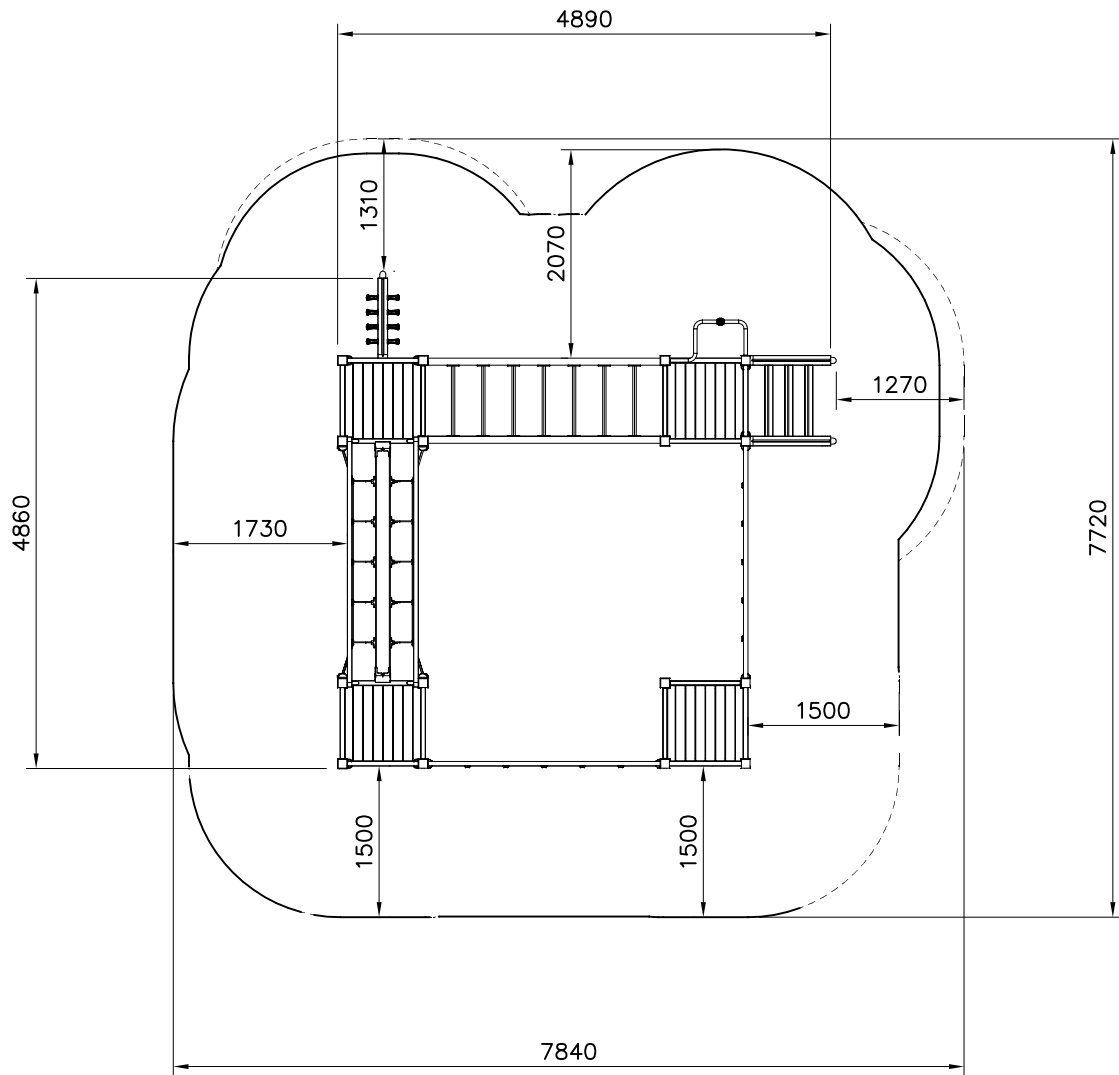
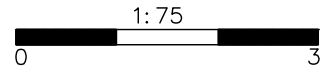
175046

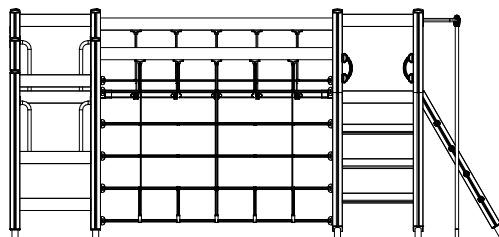
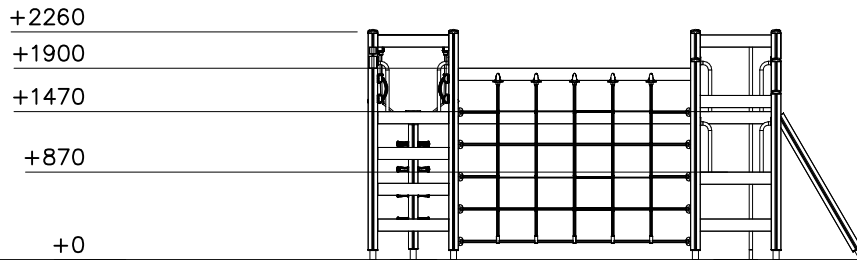


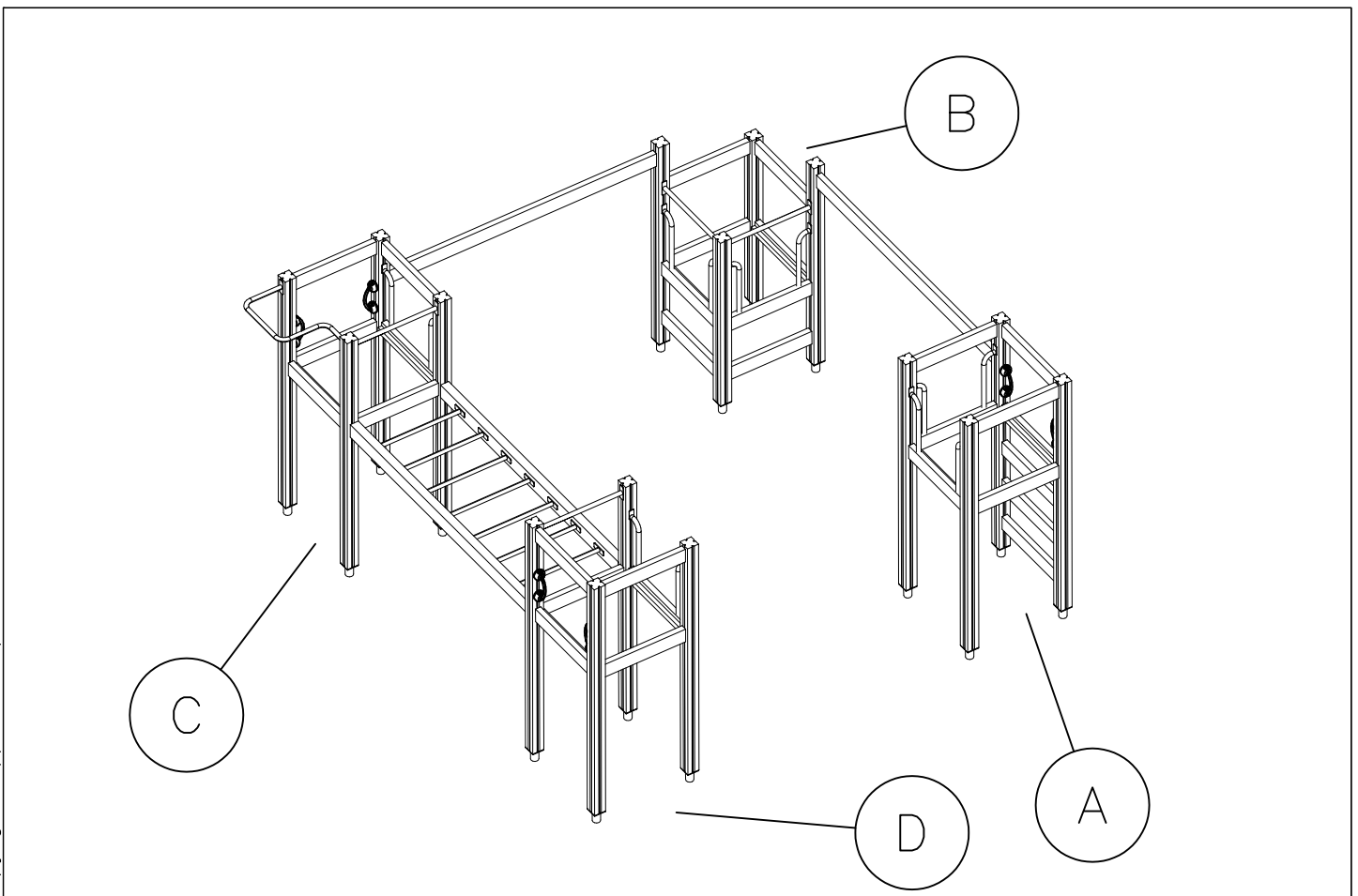
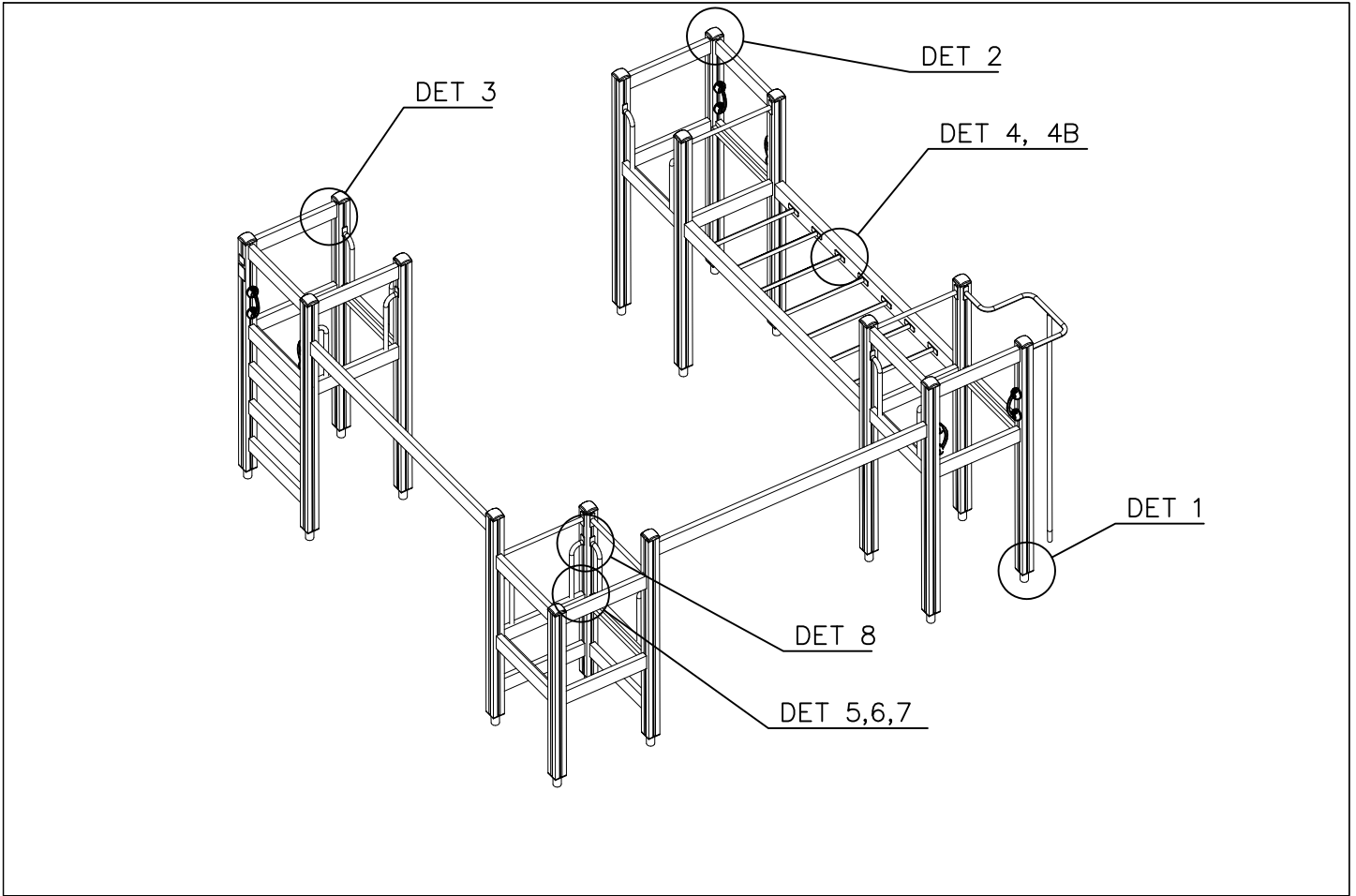
DATE: 11.1.2018

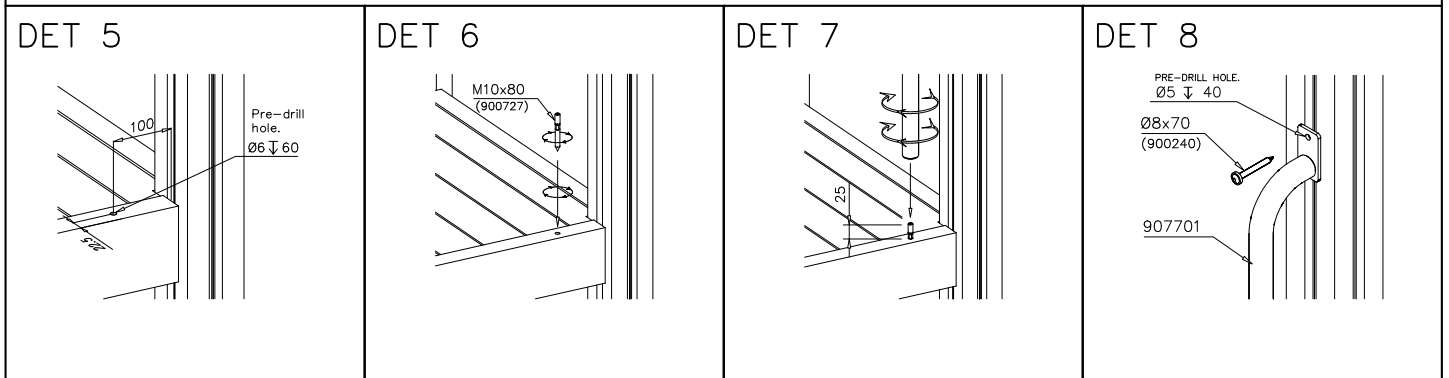
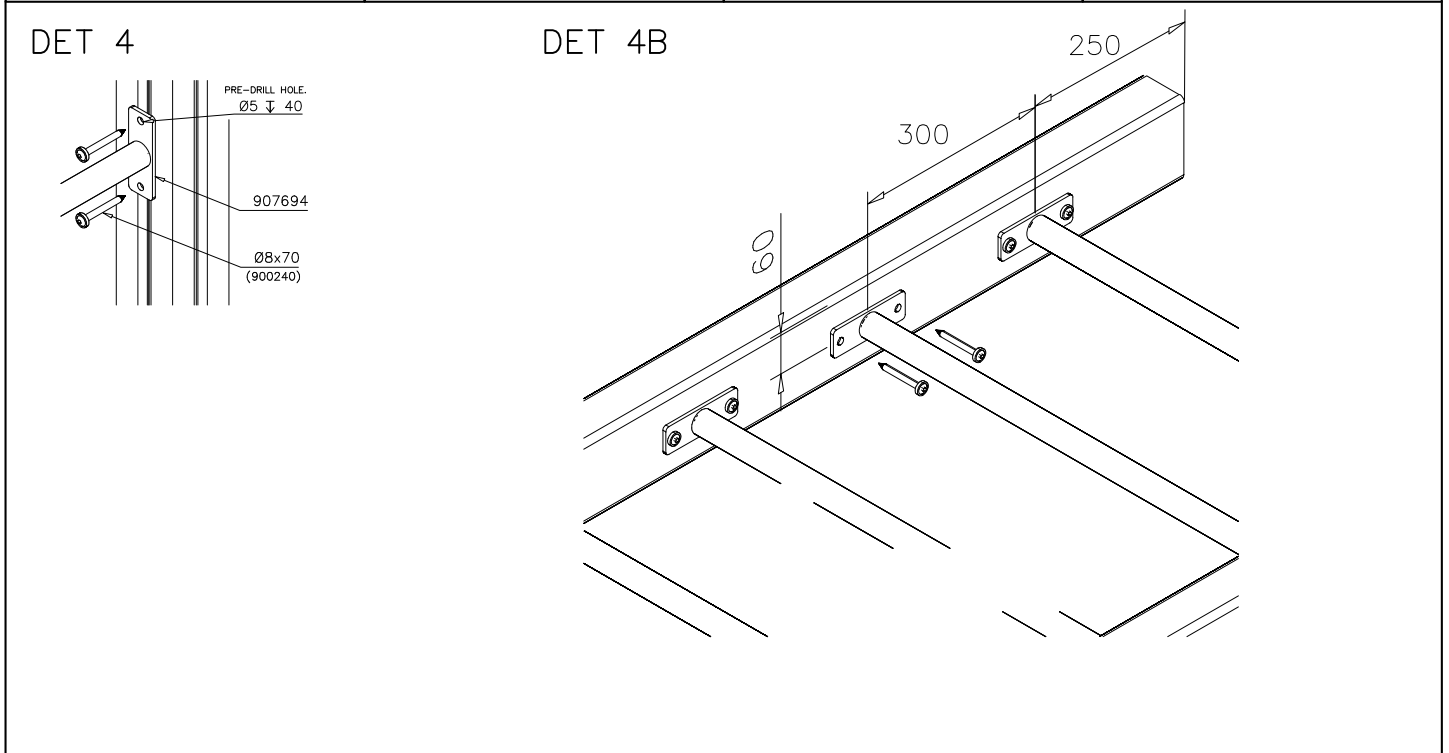
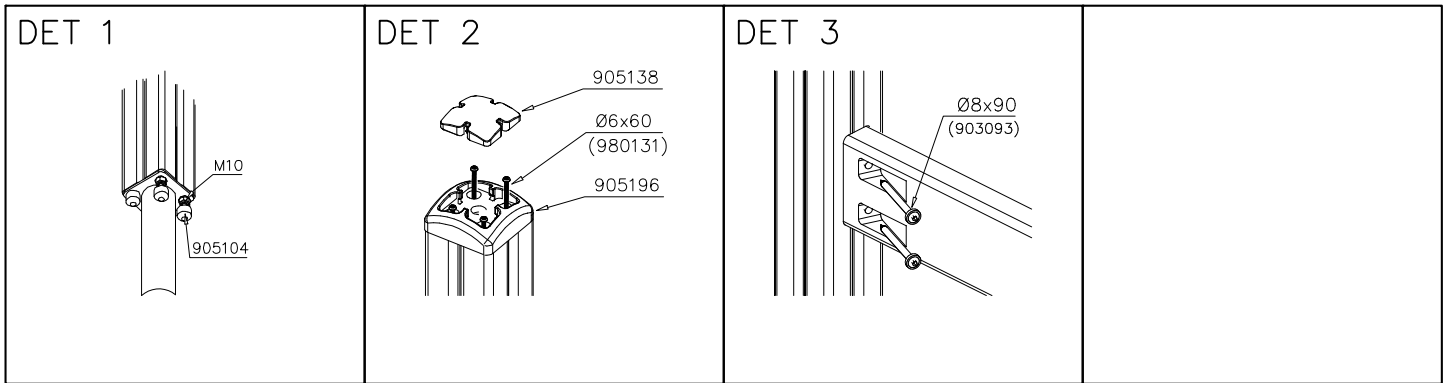
008986  750x750	PCS 4	702286  65x65	PCS 1	702339  118x78	PCS 1	703130  L 704	PCS 1	703133  L 704	PCS 1	706439  L 704	PCS 30
706441  93x93x1550	PCS 2	706443  32x45x702	PCS 8	706484  93x93x2150	PCS 12	706511  93x93x1870	PCS 2	706531  L 704	PCS 16	706535  L 704	PCS 4
706541  L 704	PCS 1	706542  L 704	PCS 1	707255  45x120x2480	PCS 2	707259-305  2340x800	PCS 2	707262  70x145x2235	PCS 1	707270  L 704	PCS 1
707285-305  1600x2305	PCS 2	707287  L 704	PCS 2	707294  70x120x2304	PCS 2	707295  L 2304	PCS 2	707315  L 704	PCS 6	707732  L 704	PCS 12
900240  Ø8x70	PCS 44	901902  30.7x60.9x100	PCS 2	901916  L 650	PCS 1	903093  Ø8x90	PCS 136	905138  GRAY	PCS 16	905196  GRAY	PCS 16
907694-216  L 704	PCS 11	907695-216  L 704	PCS 1	907698-216  L 2054	PCS 1	907701-216  L 704	PCS 12	909506  Ø3.5x13	PCS 4	909511  90x90x650	PCS 16
909519  50x380x380	PCS 17	980114  Ø4x20	PCS 4	980131  Ø6x60	PCS 64		PCS		PCS		PCS

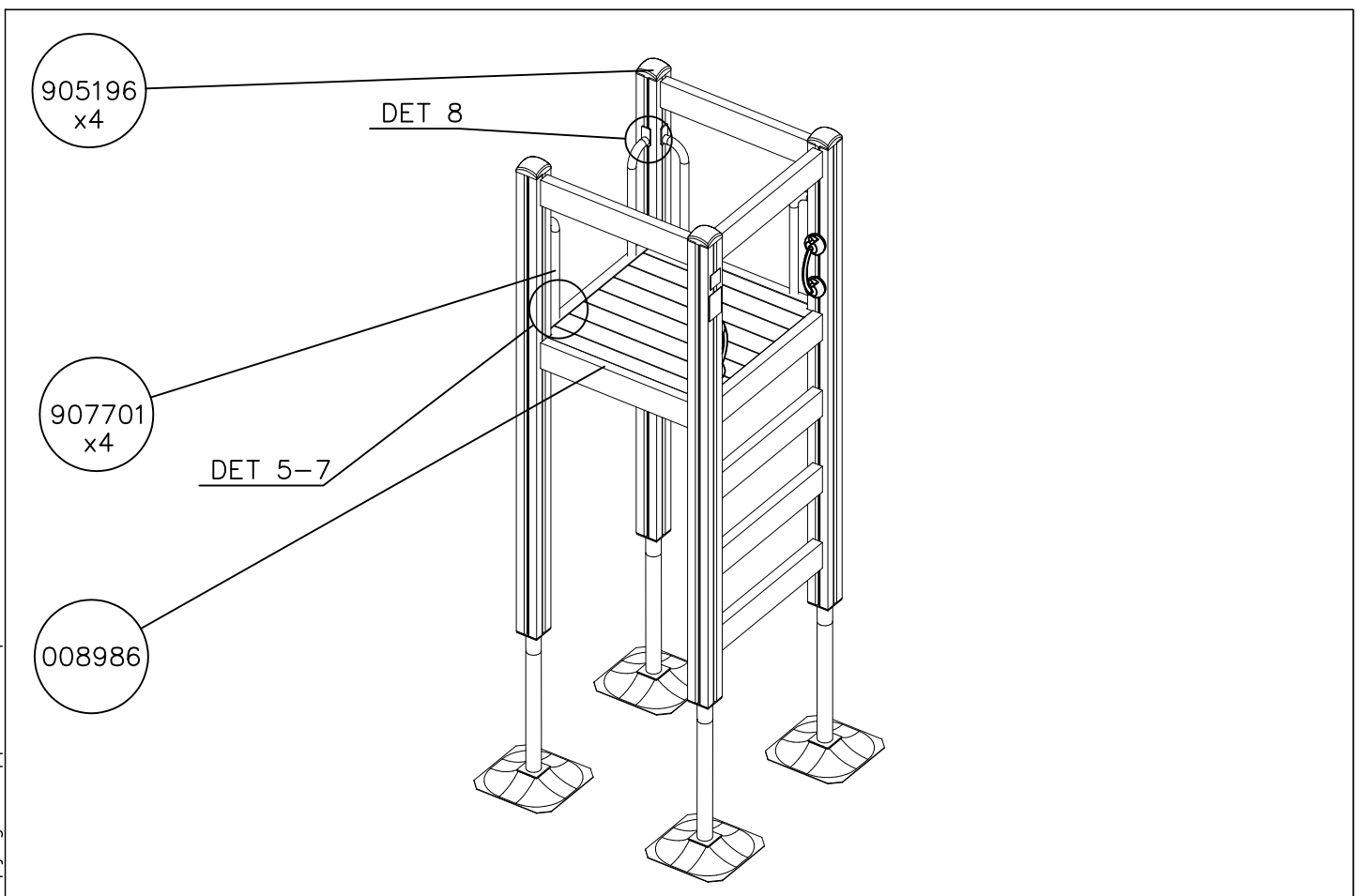
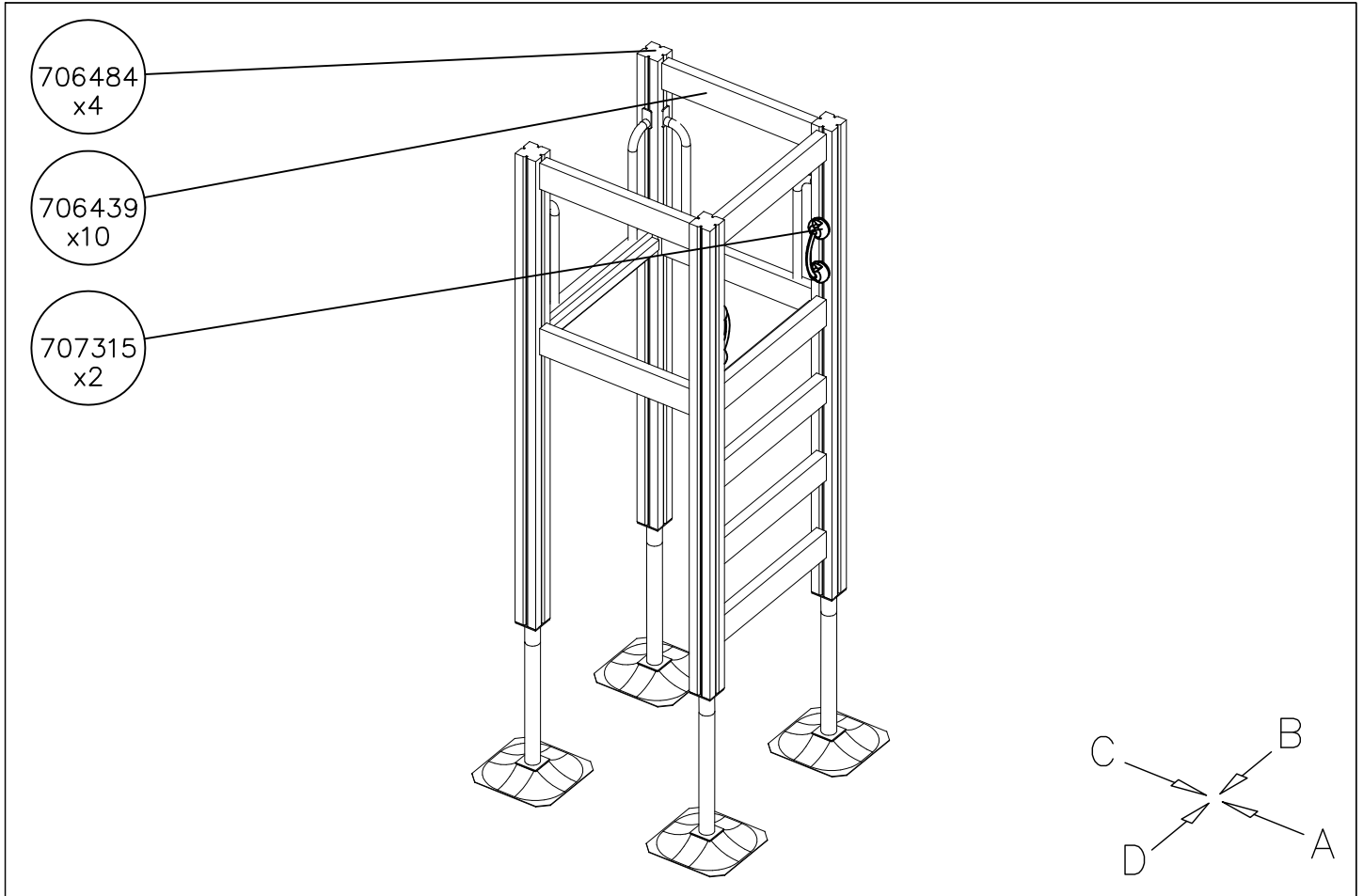
- EN/AS Impact Area 51.5 m²
- - - - Falling Space 52.7 m²
Max Falling Height 1900 mm









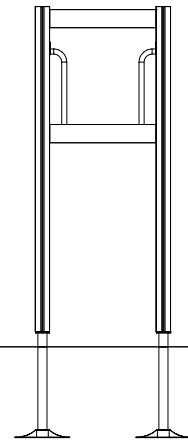
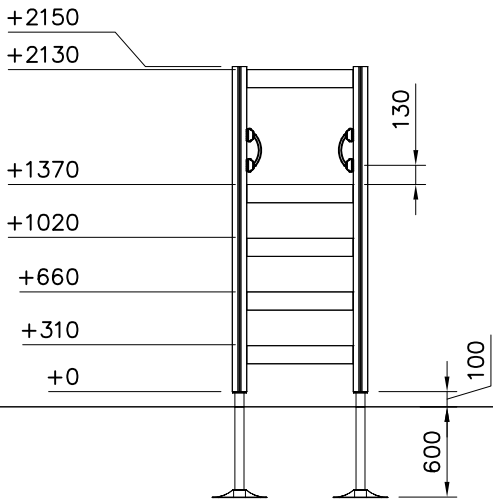


DATE: 11.1.2018

1:50

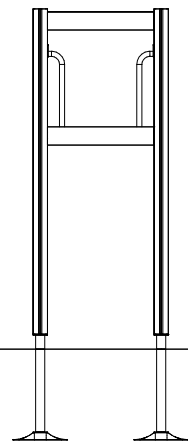
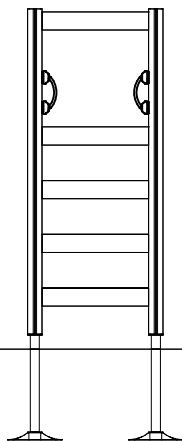
(A)

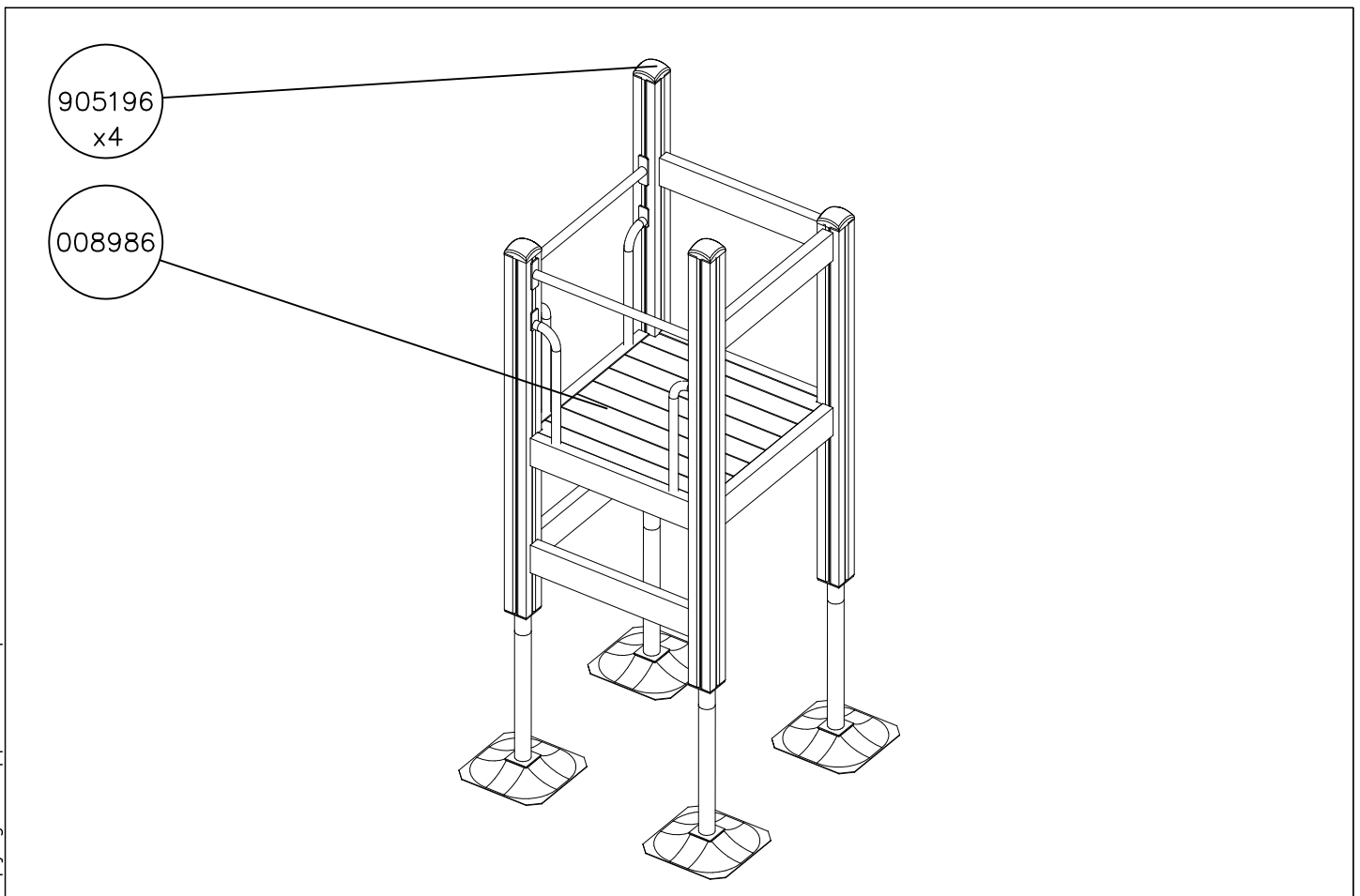
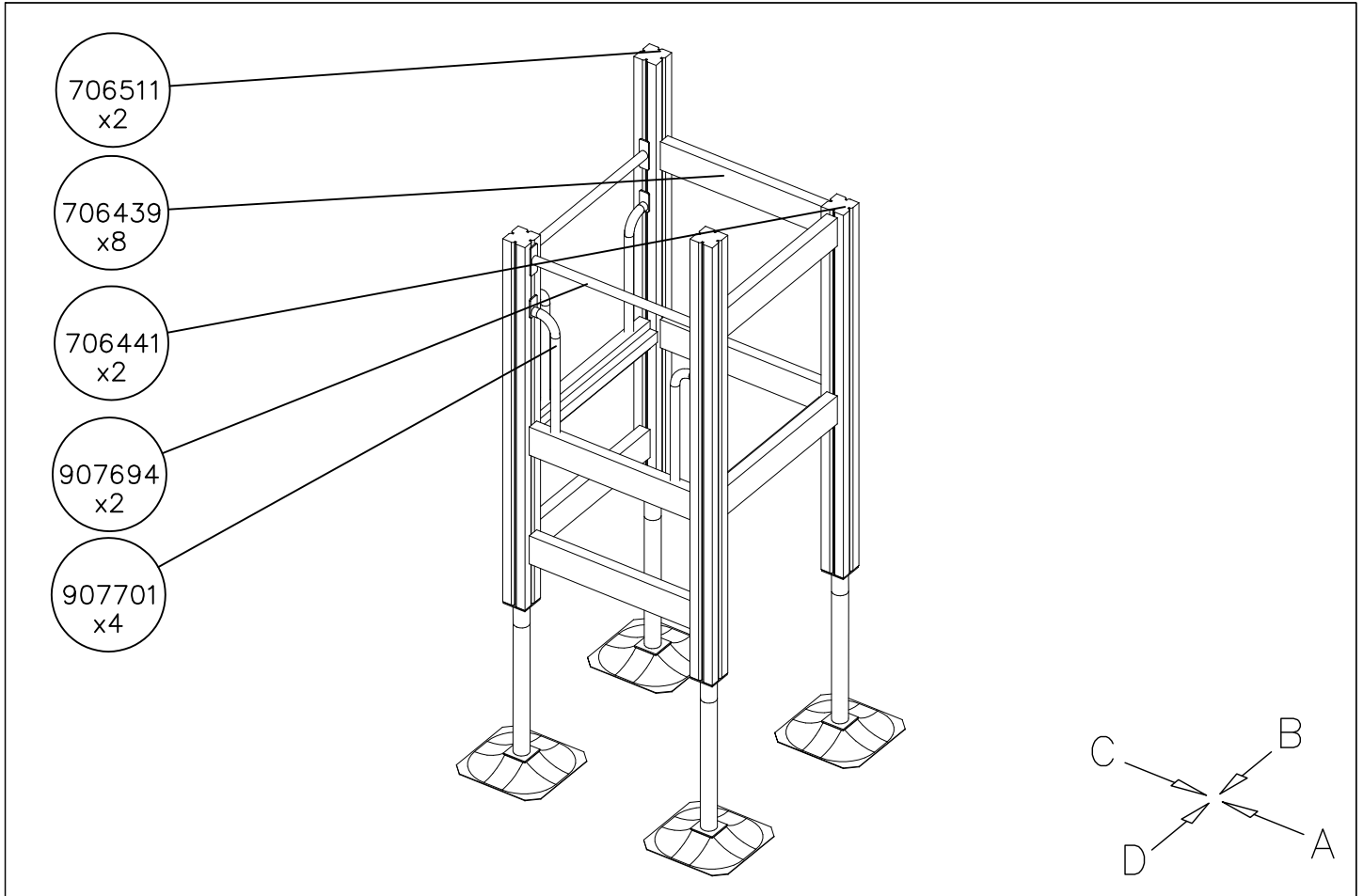
(B)



(C)

(D)

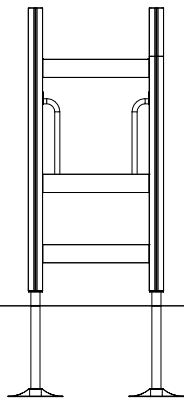




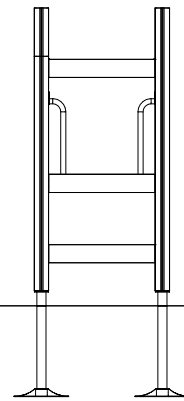
DATE: 11.1.2018

1:50

A



B



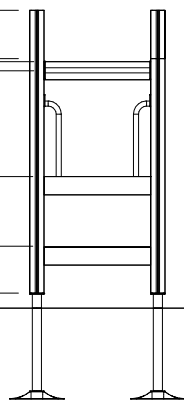
C

+1870
+1550
+1530
+1470

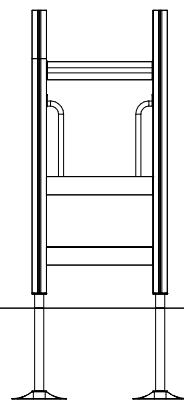
+770

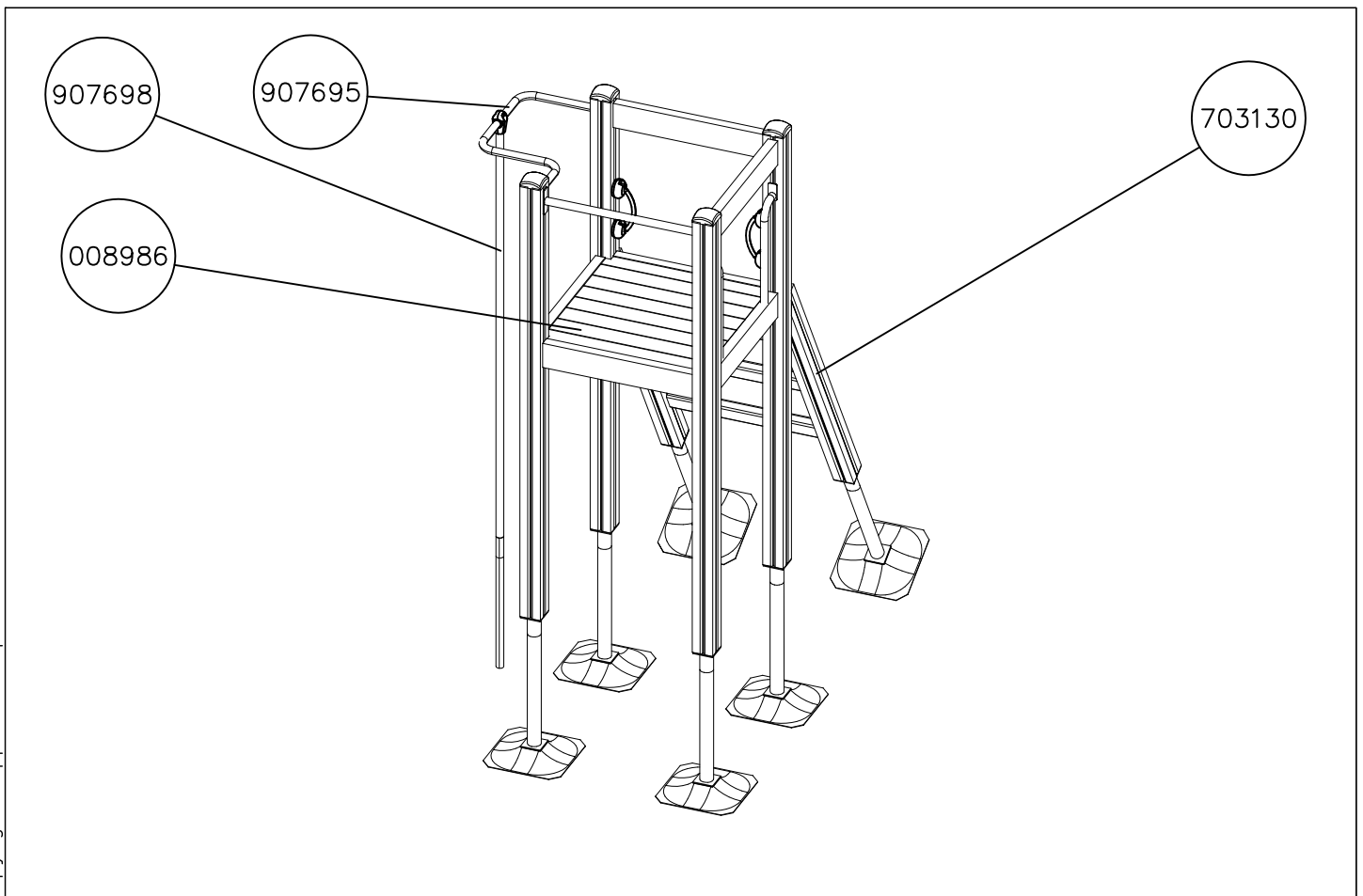
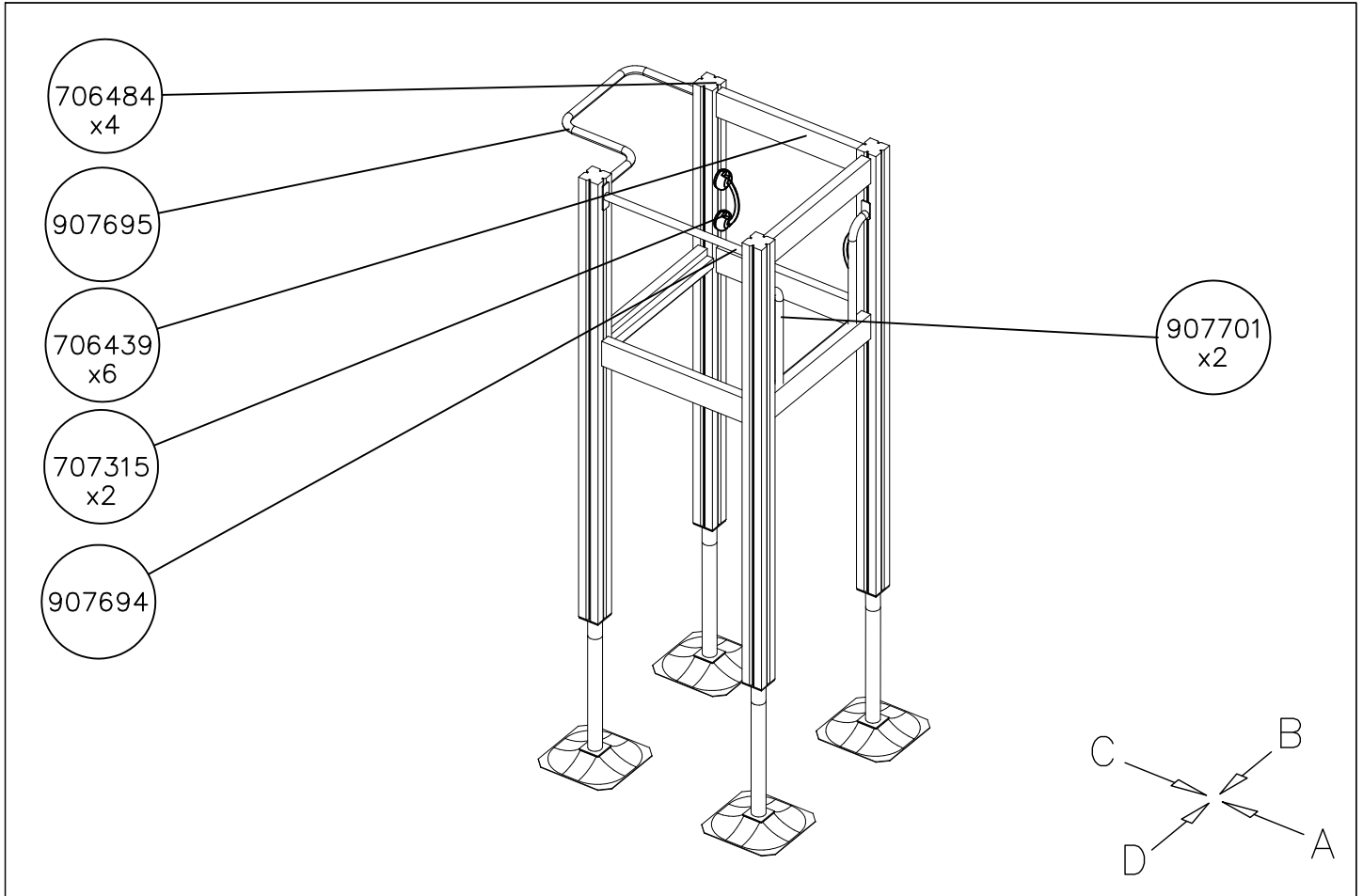
+310

+0



D

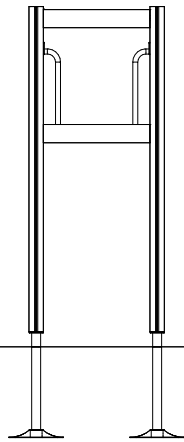




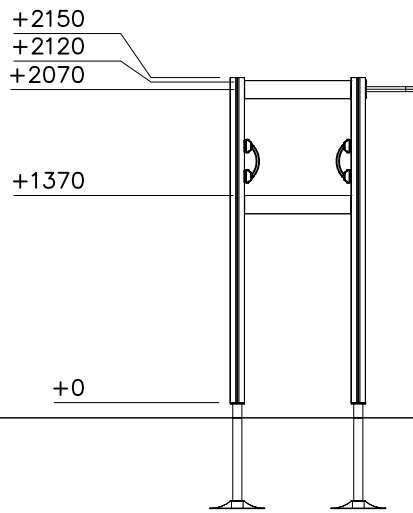
DATE: 11.1.2018

1:50

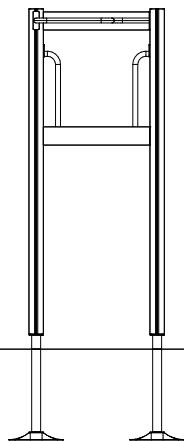
(A)



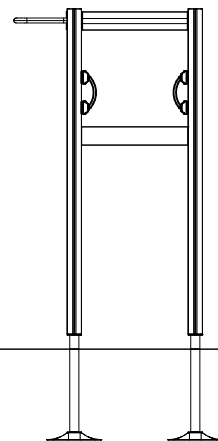
(B)

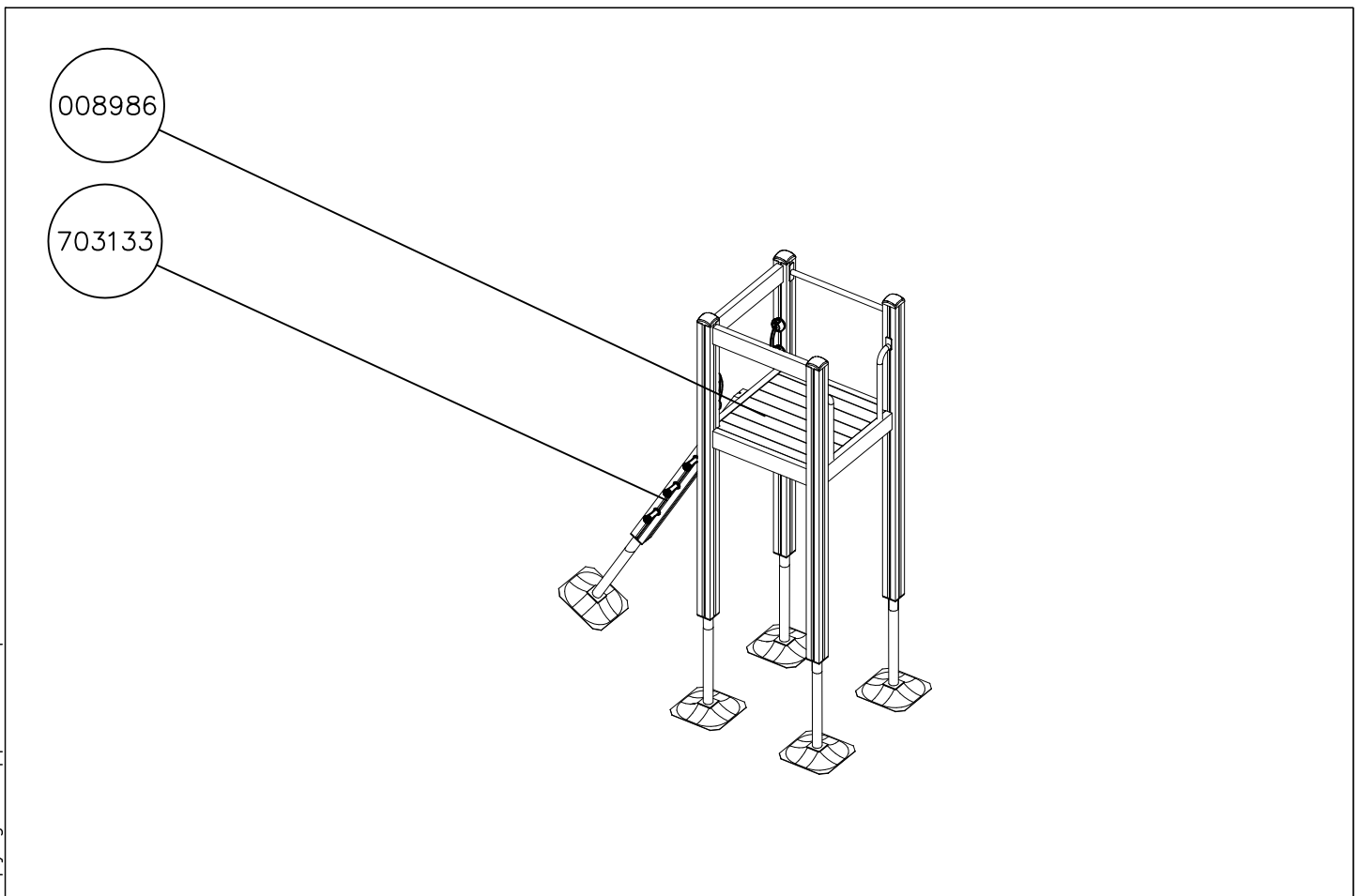
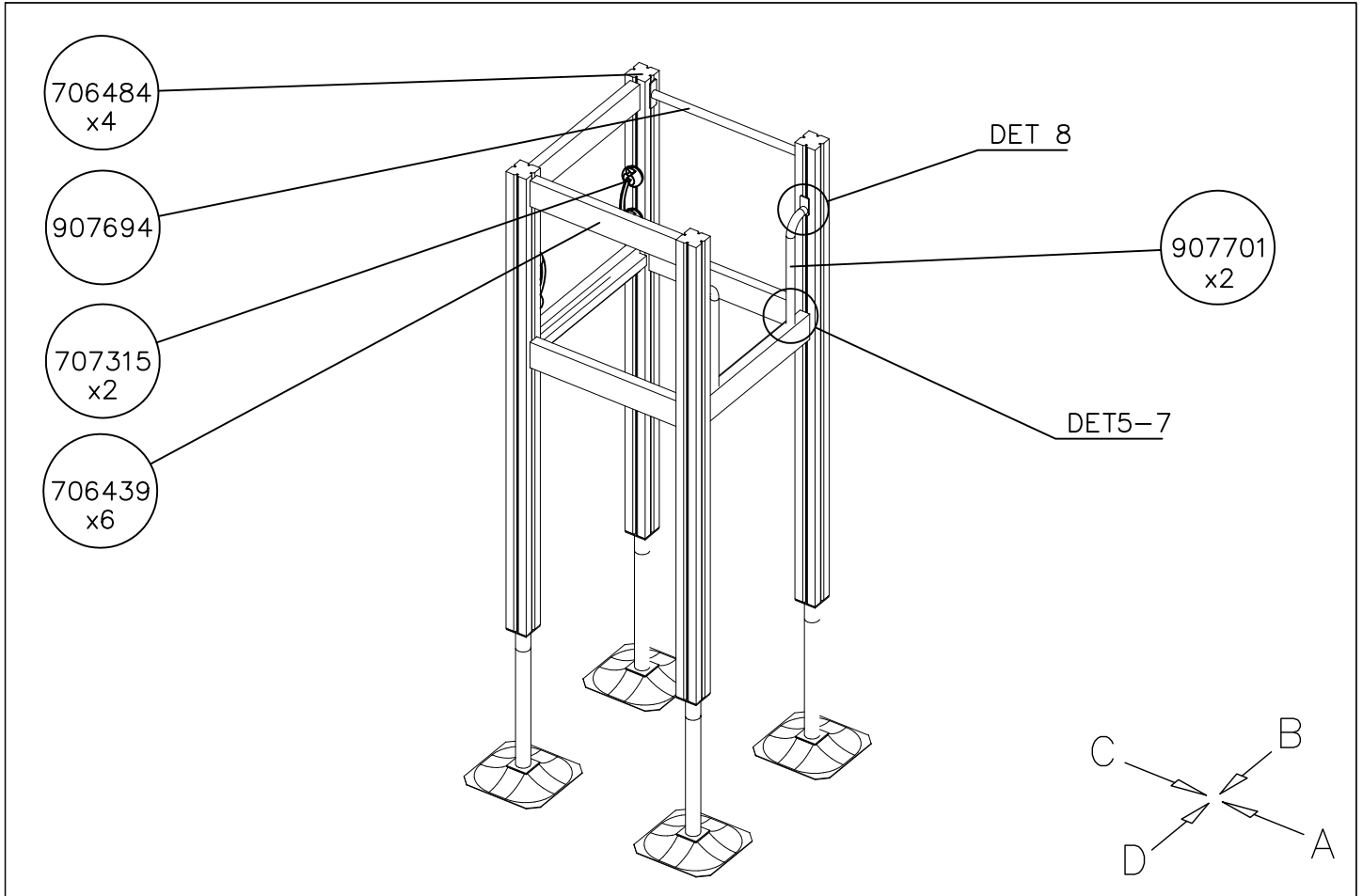


(C)



(D)

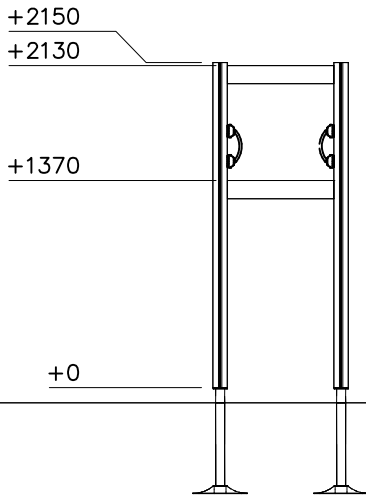




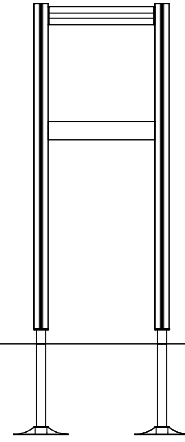
DATE: 11.1.2018

1:50

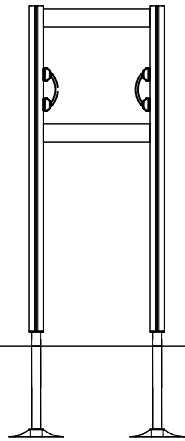
A



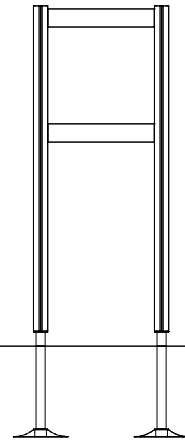
B

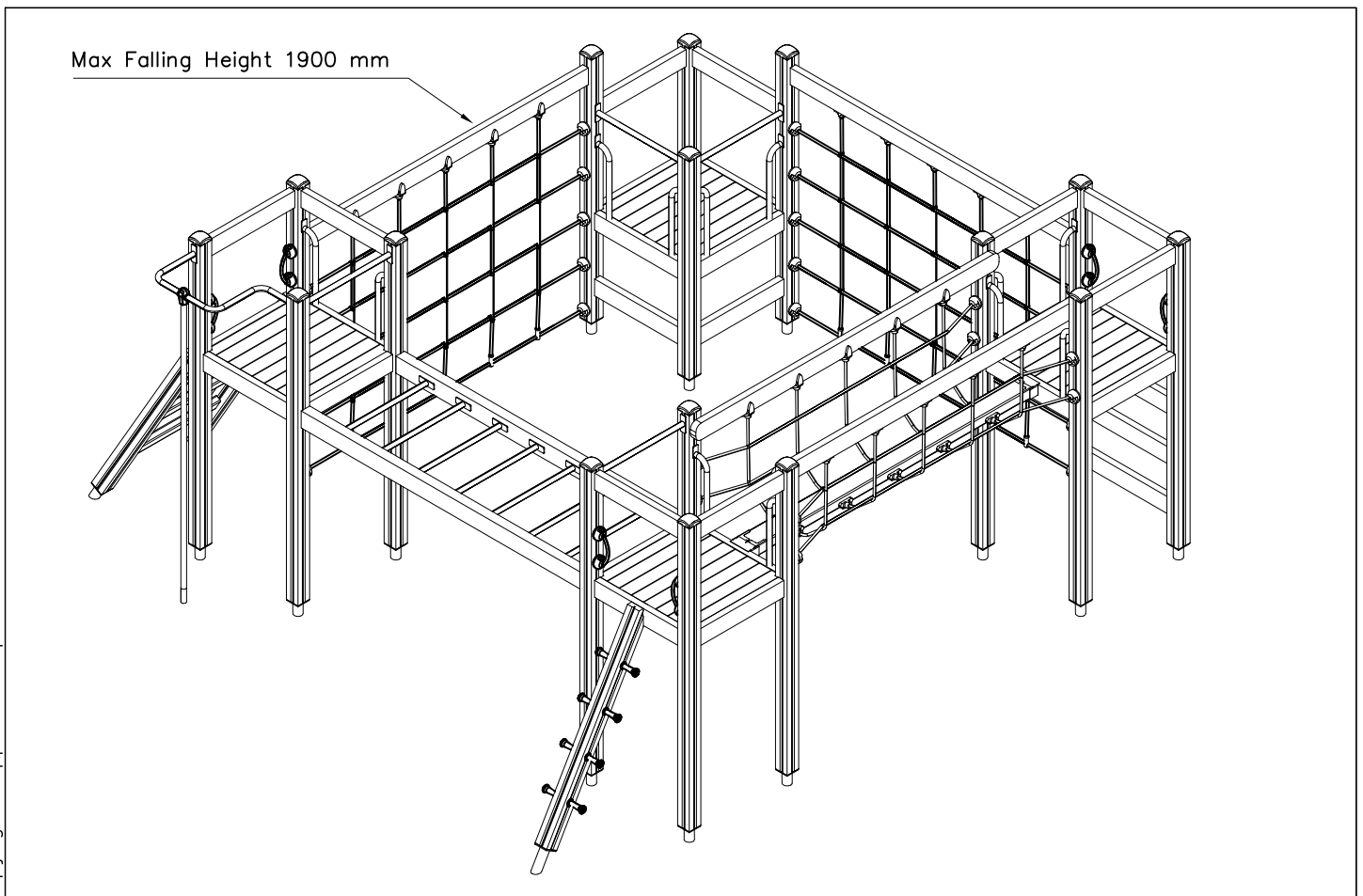
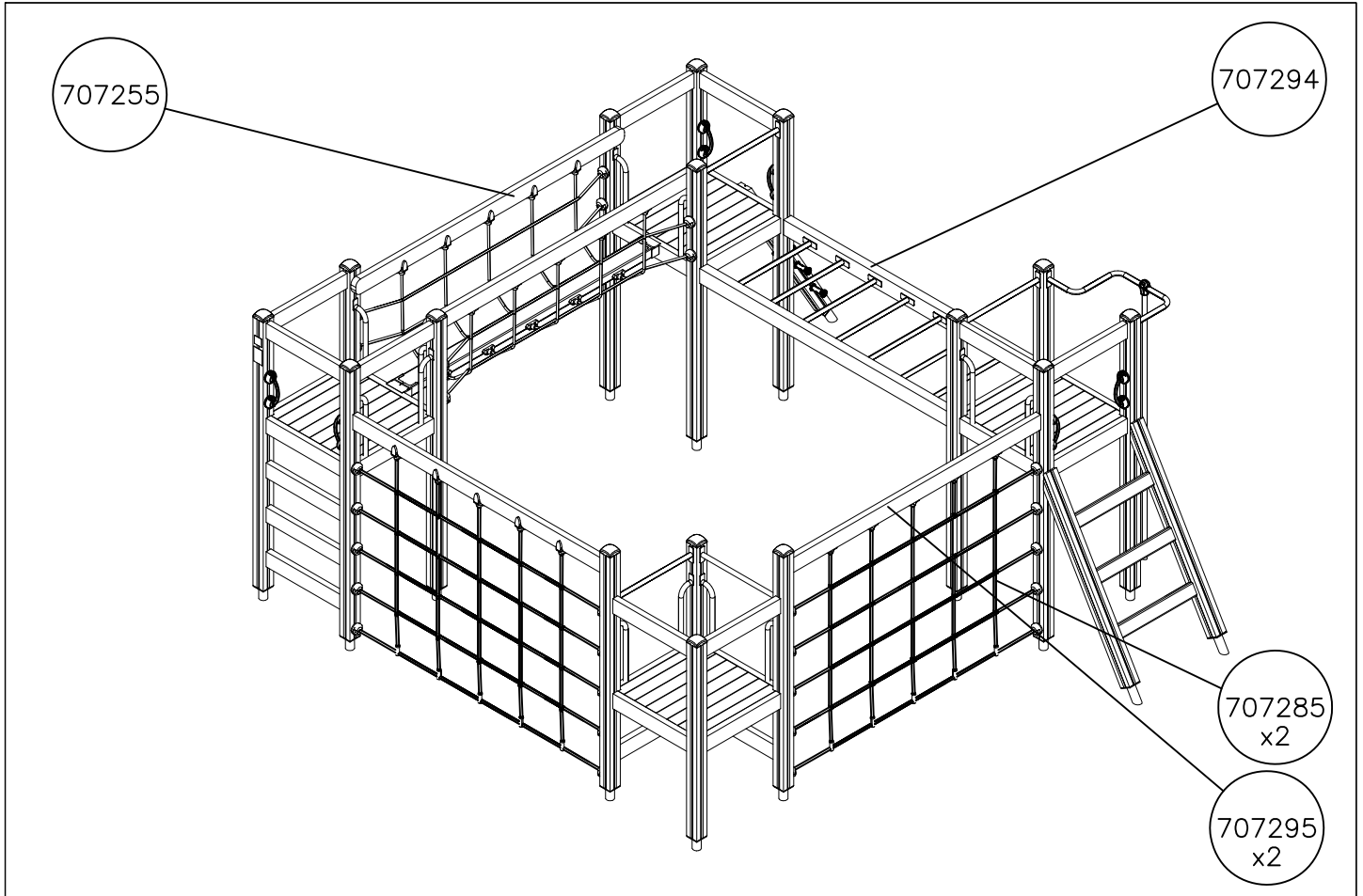


C



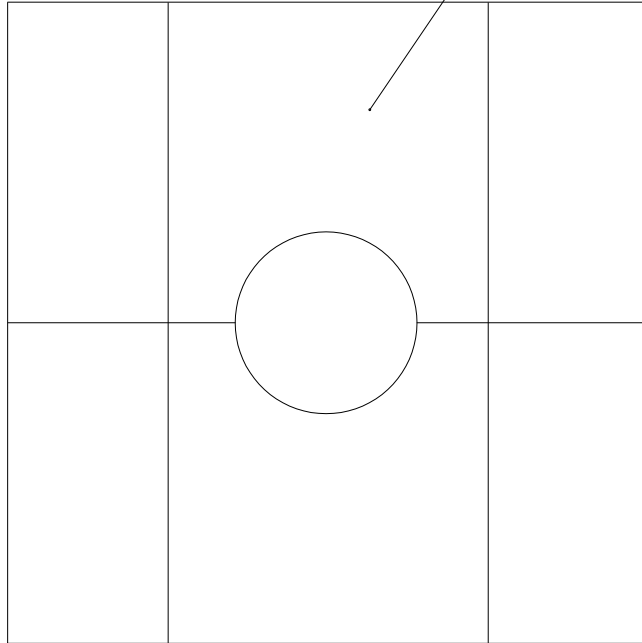
D



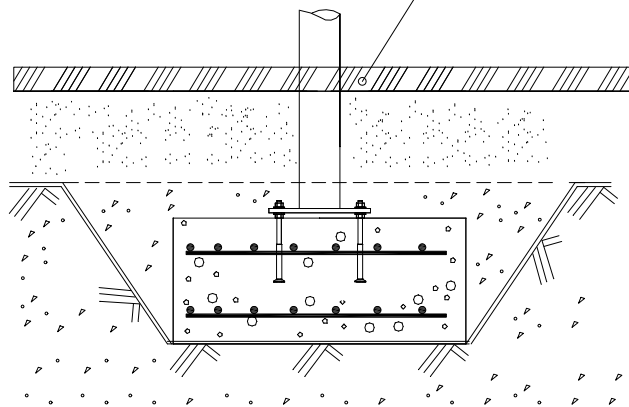


												
<p>$h < 600$</p> <p>Without movement and therefore without Impact Area</p>	<p>Totally hard surfaces.</p> <p>Note. Lappset does <u>not recommend</u> totally hard surfaces at all.</p>	<p>E.g. concrete or asphalt</p> 										
<p>$h < 600$</p> <p>With movement e.g. rocking</p>	<p>Materials with very limited impact attenuating properties.</p>	<p>E.g. wood</p> 										
<p>$h < 1000$</p>	<p>Materials with significant impact attenuating properties.</p>	<p>fine gravel 0–8 mm</p>  <p>grass</p>  <p>unsorted sand</p> 										
<p>$h < 3000$</p>	<p>Loose fill material</p> <p>E.g. sand/gravel 0,25...8 mm D60/D10<3,0 Woodchips 5...30 mm bark 20...80 mm</p>	 <table data-bbox="1024 1691 1332 1792"> <tr> <td>\underline{S}</td> <td>\underline{h}</td> </tr> <tr> <td>30 cm</td> <td>< 2,0 m</td> </tr> <tr> <td>40 cm</td> <td>< 3,0 m</td> </tr> </table>	\underline{S}	\underline{h}	30 cm	< 2,0 m	40 cm	< 3,0 m				
\underline{S}	\underline{h}											
30 cm	< 2,0 m											
40 cm	< 3,0 m											
	<p>Syntethic granulates</p> <table data-bbox="406 1892 758 2060"> <tr> <td>\underline{S}</td> <td>\underline{h}</td> </tr> <tr> <td>40 mm</td> <td>~> 1,2...1,3 m</td> </tr> <tr> <td>50 mm</td> <td>~> 1,5...1,7 m</td> </tr> <tr> <td>60 mm</td> <td>~> 1,8...2,0 m</td> </tr> <tr> <td>70 mm</td> <td>~> 2,1...2,5 m</td> </tr> </table> <p>Note. For accurate values, see manufacturer's instructions.</p>	\underline{S}	\underline{h}	40 mm	~> 1,2...1,3 m	50 mm	~> 1,5...1,7 m	60 mm	~> 1,8...2,0 m	70 mm	~> 2,1...2,5 m	
\underline{S}	\underline{h}											
40 mm	~> 1,2...1,3 m											
50 mm	~> 1,5...1,7 m											
60 mm	~> 1,8...2,0 m											
70 mm	~> 2,1...2,5 m											

REMOVE SAFETY SURFACE/SAND/GRAVEL
TO CHECK FOUNDATION



REMOVE SAFETY SURFACE/SAND/GRAVEL
TO CHECK FOUNDATION

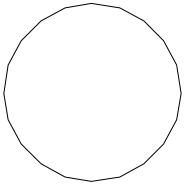


LAPPSET®
DEEP FOUNDATION

FOOT

DATE: 13.3.2014

4A



LAPPSET® BETON FOUNDATION

FOOT

DATE: 27.10.2015

1(1)

② 905104	PCS		PCS
	4		
 M10	PCS		PCS



905104

LAPPSET® DEEP FOUNDATION

FOOT

DATE: 15.5.2018

1(1)



①	909511	PCS	②	909519	PCS
		1		1	
	90x90x650		50x380x380		

③	909637	PCS	④	909638	PCS
		4		8	
	M10		Ø20/10.5		

⑤	909639	PCS	⑥	905104	PCS
		4		4	
	M10x25		M10		

OPTION FOOT

①	911155	PCS		PCS
		1		
	90x90x650			



① 008986	PCS	② 706443	PCS
	1		2
750x750		32x45x702	
③ 900240	PCS	④ 980101	PCS
	6		8
Ø8x70		Ø4.5x70	
	PCS		PCS
	PCS		PCS
	PCS		PCS

DET 1

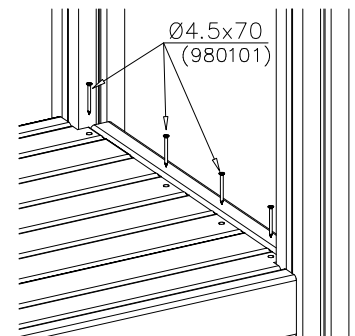


DET 2

Naulanauha kannatinlistan puolelle.
Nail list to the bottom.



DET 3





① 900240	PCS 4	② 900342	PCS 2
			
Ø8x70		M8x16	
③ 901900	PCS 2	④ 901939	PCS 1
			
20.5x36.2x56		M12x70	
⑤ 909850	PCS 1	⑥ 980150	PCS 1
			
M8x25		M8	
⑦ 901182	PCS 1	⑧ 901902	PCS 2
			
Ø11/M8x40		30.7x60.9x100	
	PCS		PCS
	PCS		PCS
○ 907829	PCS 1	○ 907698	PCS 1
			
Ø33,7x1454		Ø33,7x2054	
○ 907817	PCS 1	○ 907695	PCS 1
			
Ø33,7x2554			



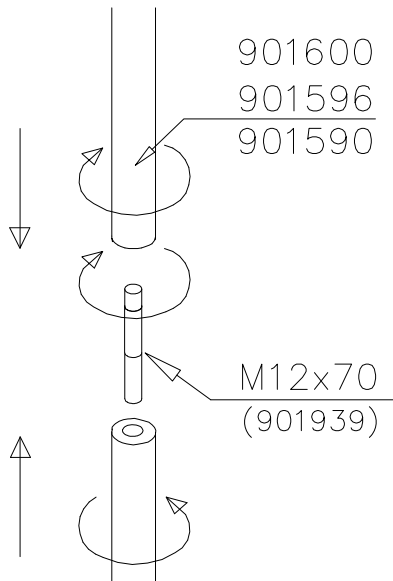
DET 1



DET 2



DET 3



DET 4



LAPPSET® DEEP FOUNDATION

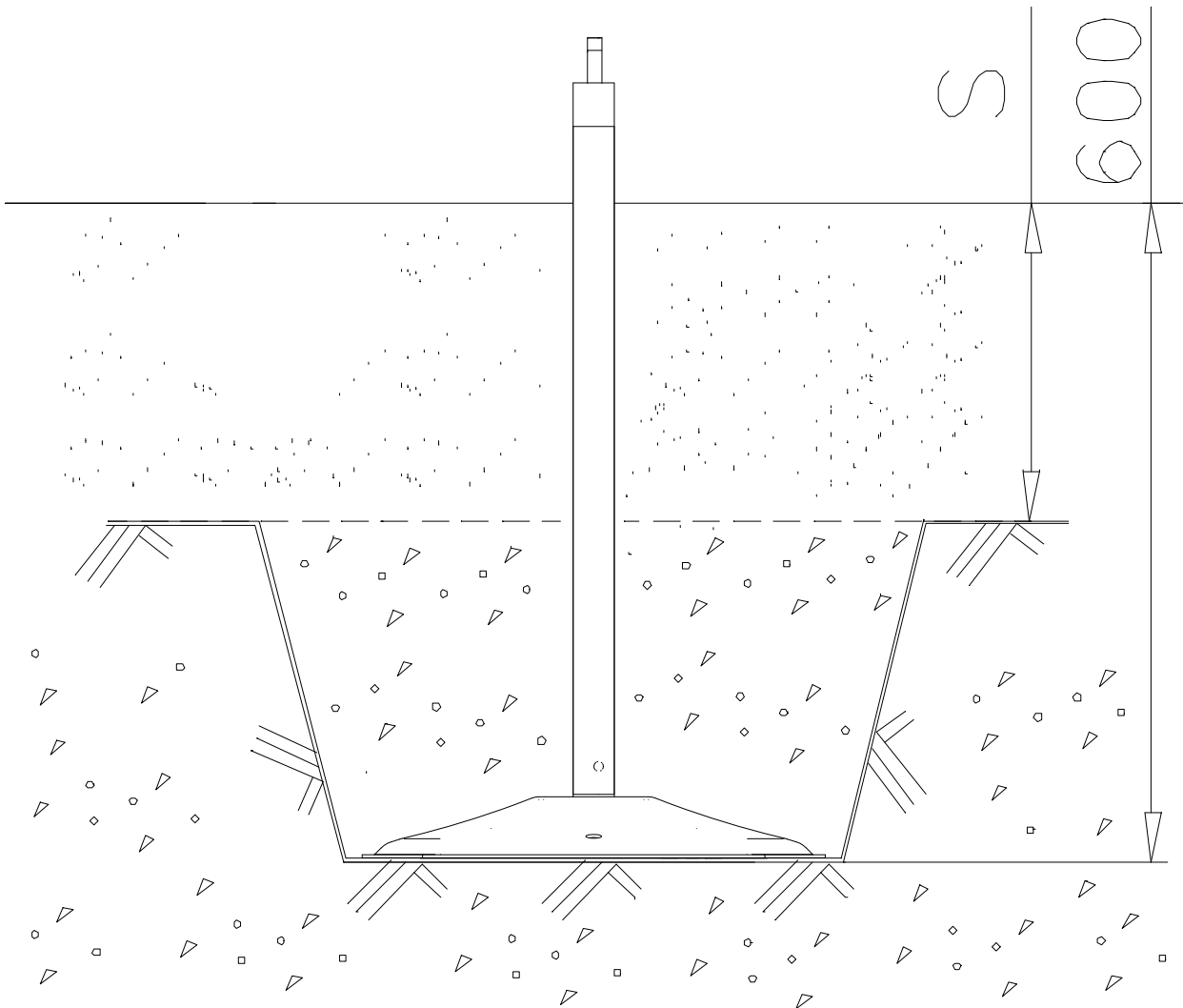
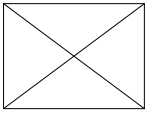
POLE

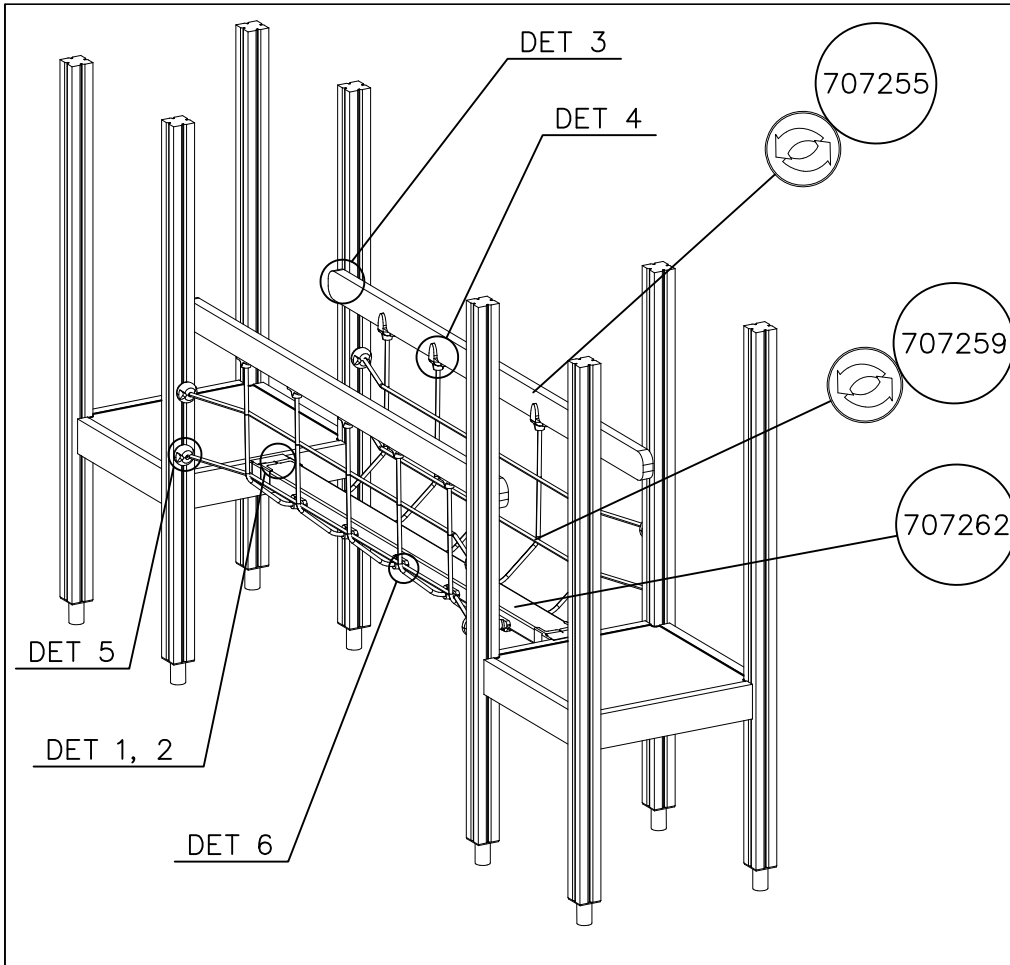
DATE: 15.5.2014

1(1)

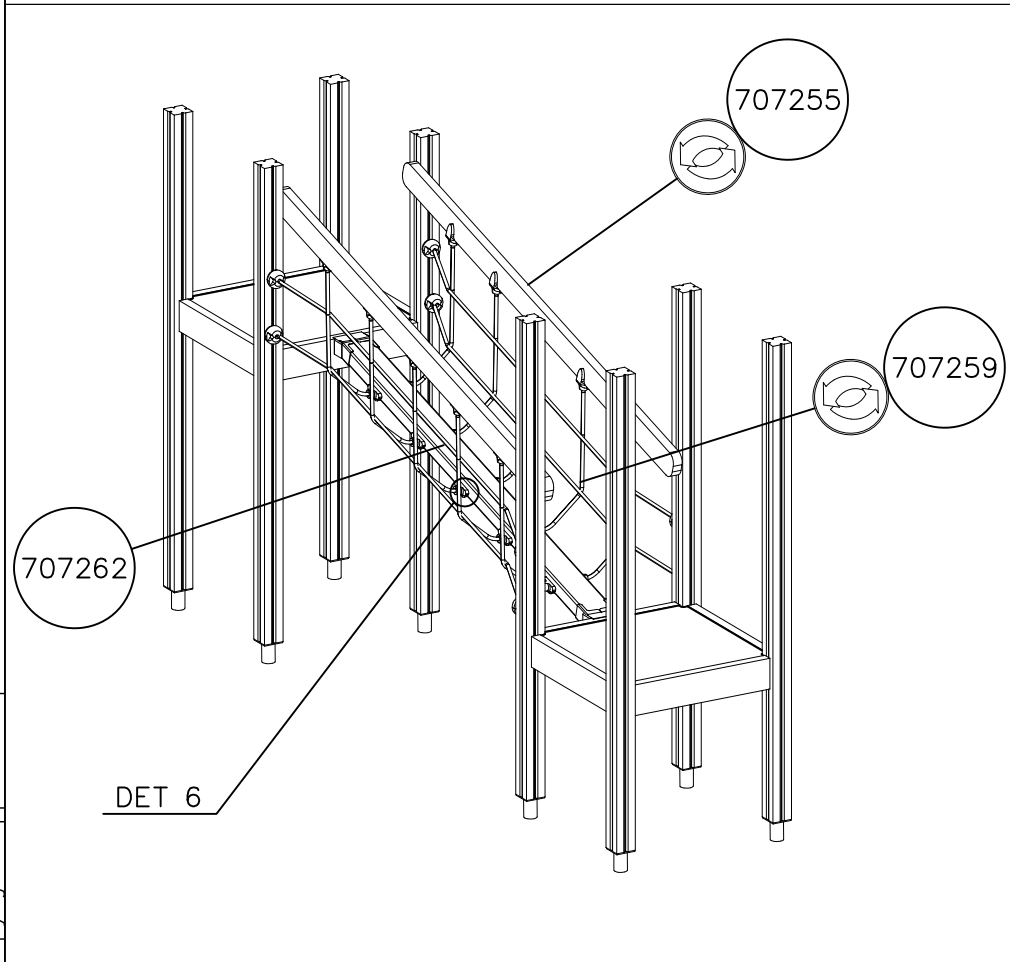


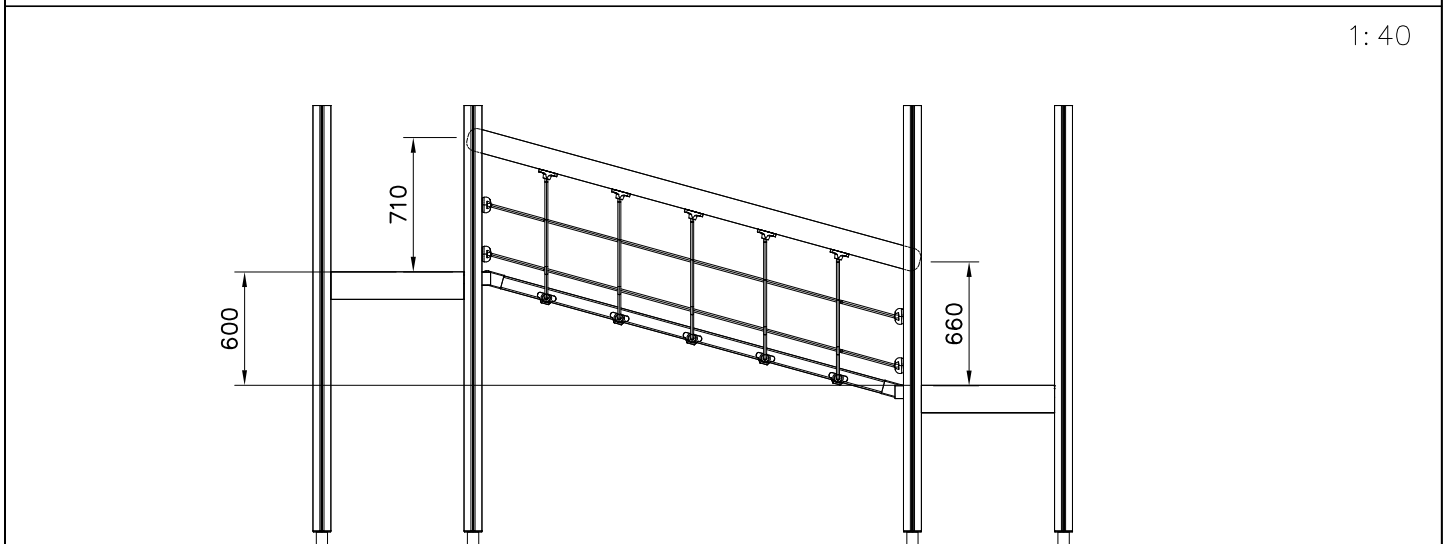
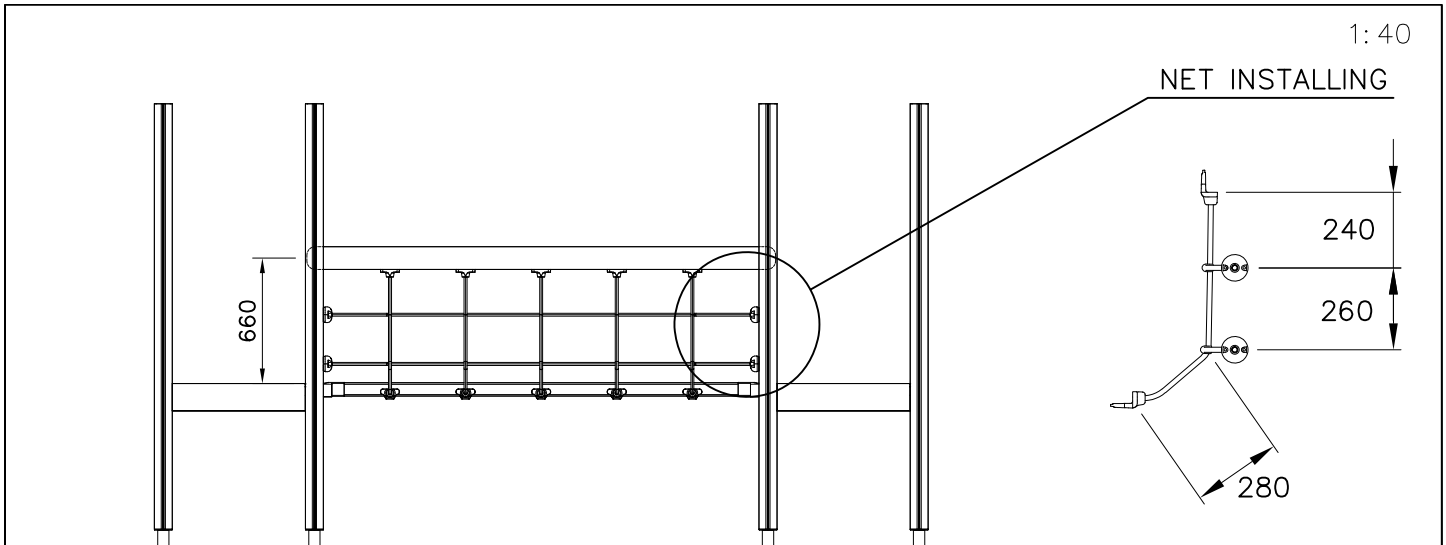
①	905086	PCS	②	909214	PCS
		1			1
	Ø44/13.5		M12x50		
		PCS			PCS
		PCS			PCS
		PCS			PCS
		PCS			PCS
		PCS			PCS
		PCS			PCS
		PCS			PCS
		PCS			PCS
		PCS			PCS





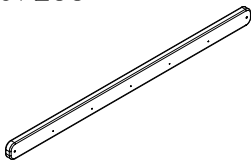
① 707255	PCS	② 707259	PCS
	2		2
45x120x2480		2340x800	
③ 707262	PCS	④ 980123	PCS
	1		40
		Ø7x60	
⑤ 980128	PCS	⑥ 909232	PCS
	28		4
Ø7x40		8x120	
⑦ 900240	PCS	⑧ 980151	PCS
	16		4
8x70		Ø16/8.4	
⑨ 905083	PCS	⑩ 905112	PCS
	4		8
Ø32		Ø22	
	PCS		PCS
	PCS		PCS
	PCS		PCS





BOOM OPTIONS

707255



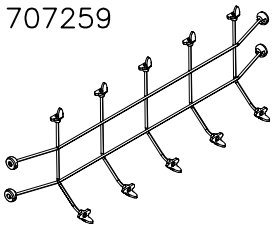
45x120x2480

707255-602	DARK BROWN
707255-603	LIGHT BROWN
707255-604	LIGHT GRAY
707255-605	DARK GRAY
707255-606	GRAY
707255-607	RED

707255-608	BLUE
707255-609	GREEN
707255-610	YELLOW
707255-611	LIME
707255-612	FUXIA

NET OPTIONS

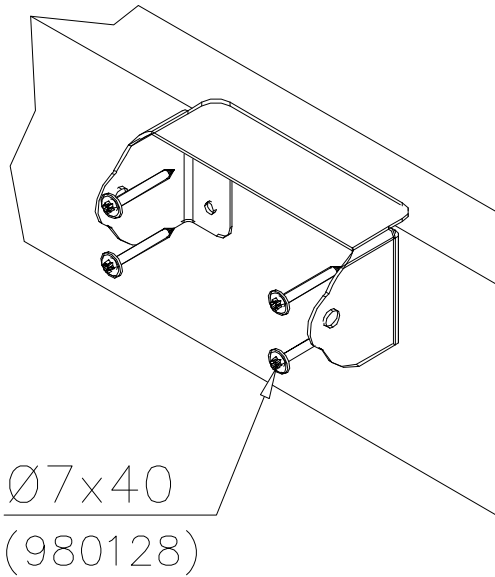
707259



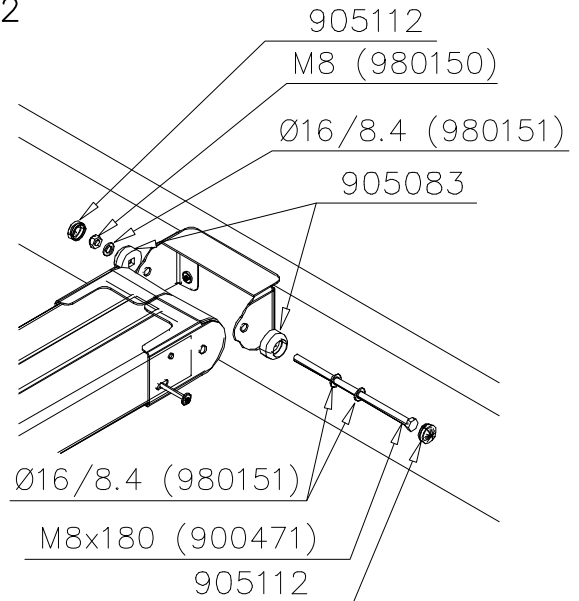
2340x800

707259-301	BLUE
707259-302	RED
707259-303	BEIGE
707259-304	GRAY
707259-305	BLACK
707259-306	YELLOW

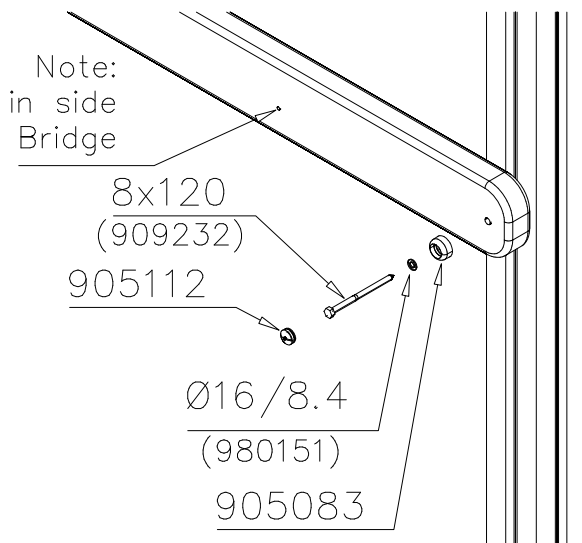
DET 1



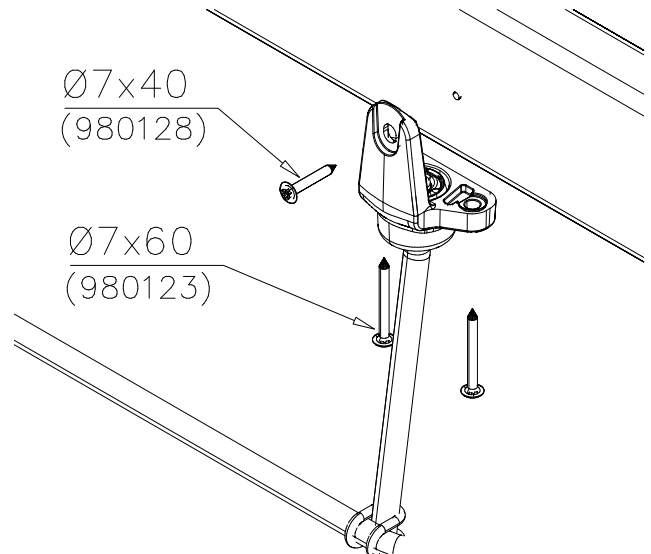
DET 2



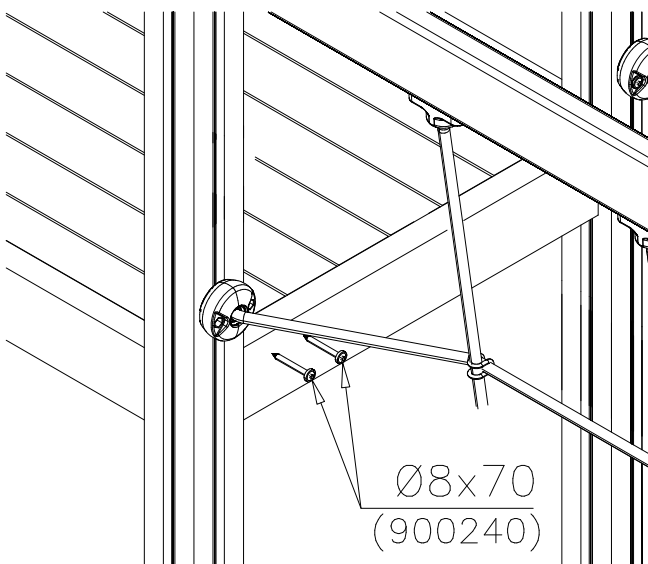
DET 3



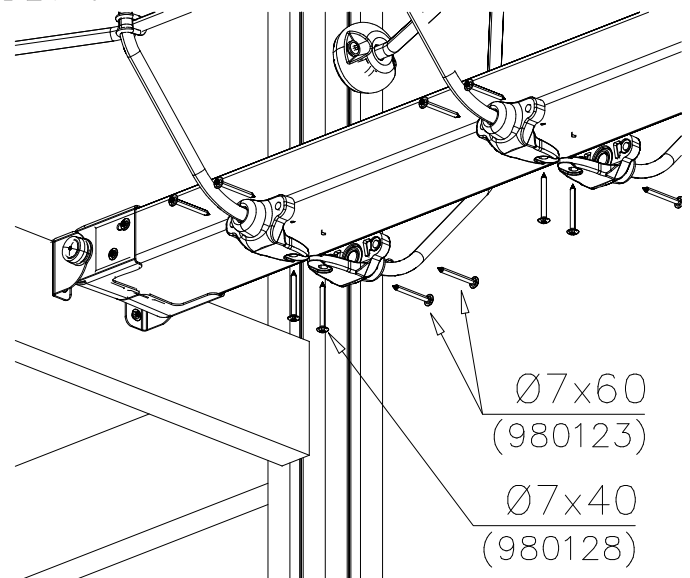
DET 4

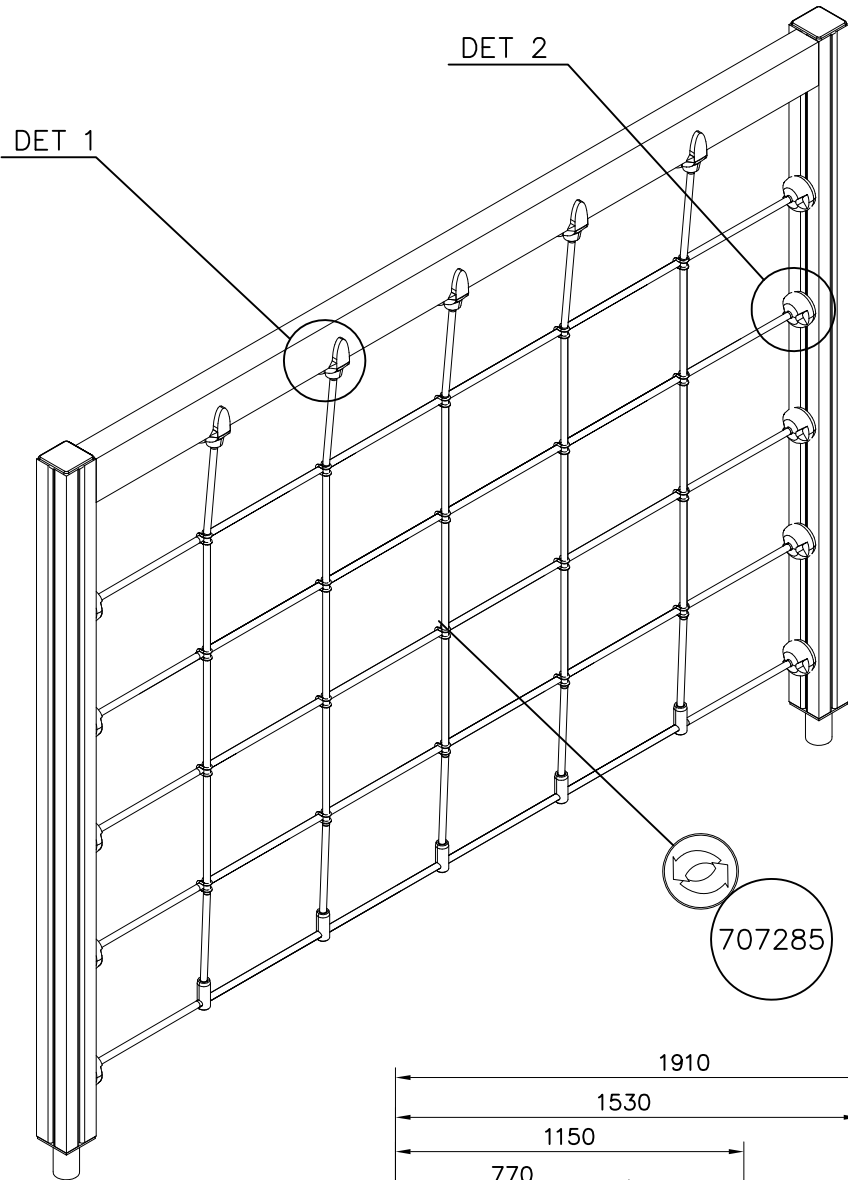


DET 5



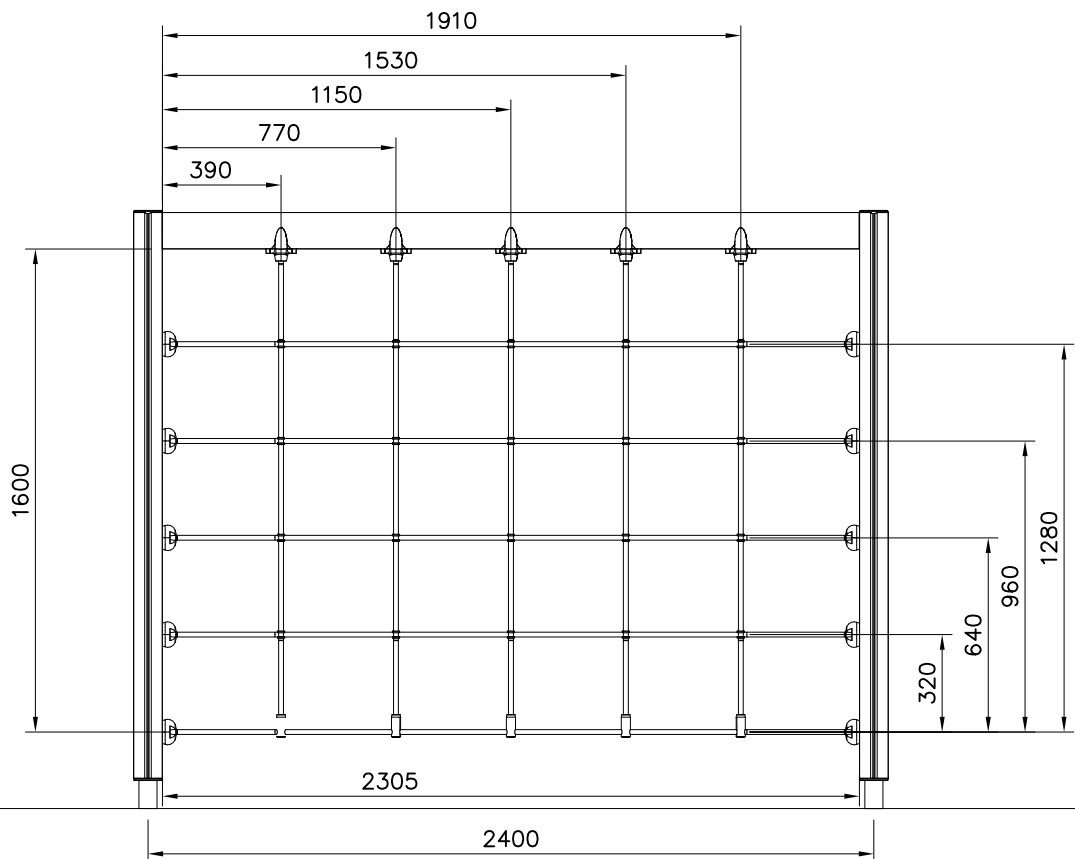
DET 6





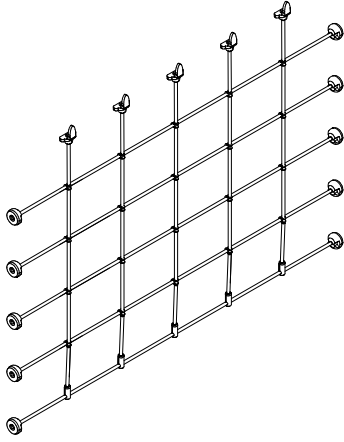
① 707285	PCS	② 900240	PCS
	1		20
1600x2305		Ø8x70	
③ 980128	PCS	④ 980123	PCS
	5		10
Ø7x40		Ø7x60	
	PCS		PCS
	PCS		PCS

1:25



NET OPTIONS

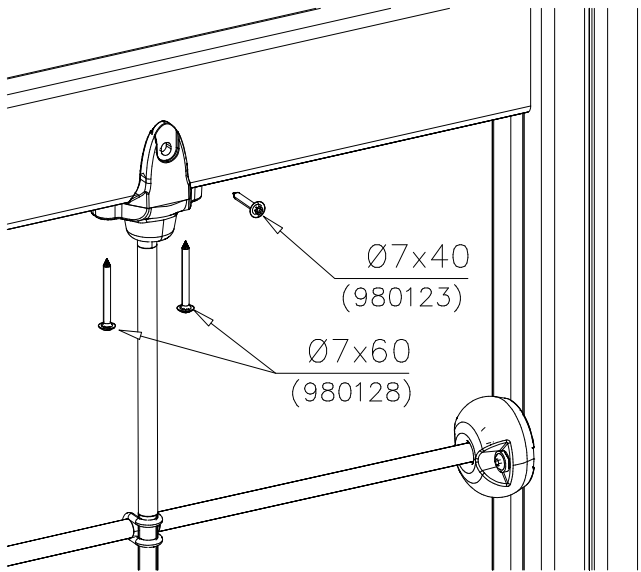
707285



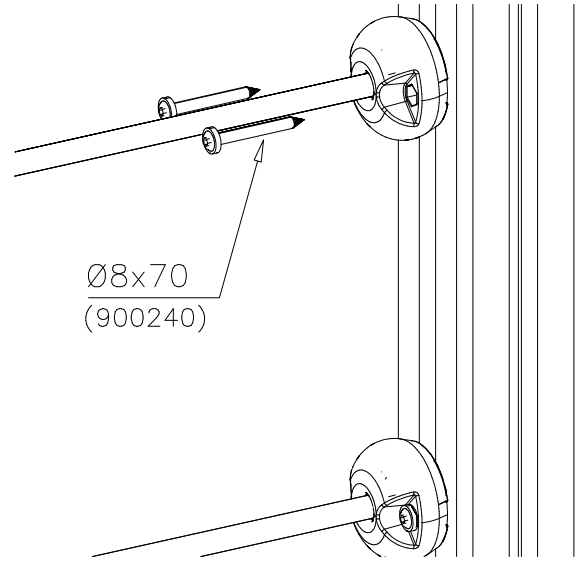
1600x2305

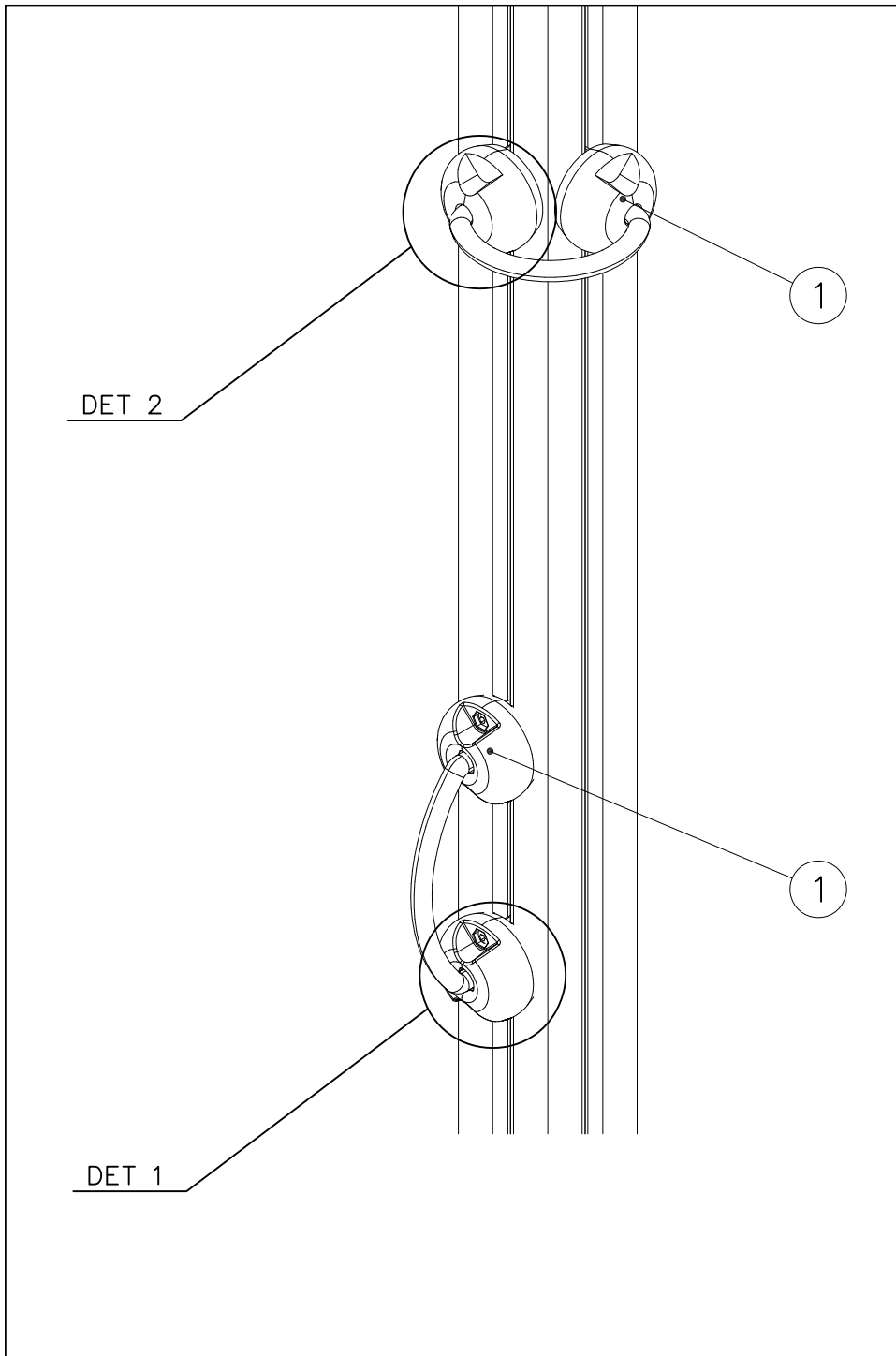
- | | |
|------------|--------|
| 707285-301 | BLUE |
| 707285-302 | RED |
| 707285-303 | BEIGE |
| 707285-304 | GREY |
| 707285-305 | BLACK |
| 707285-306 | YELLOW |

DET 1

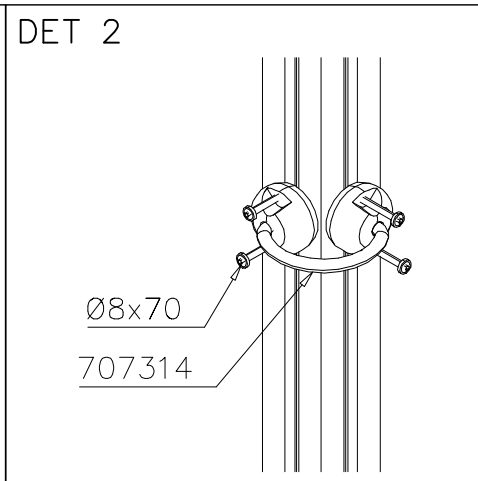
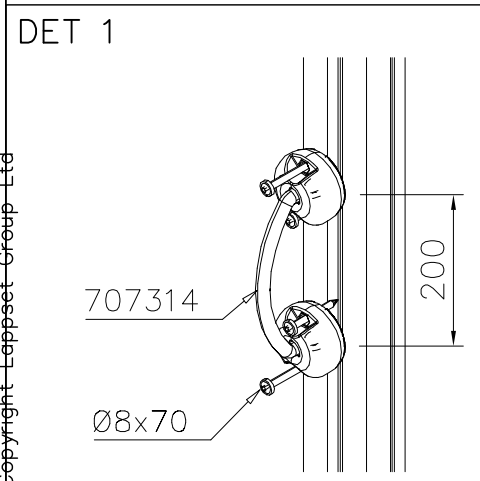


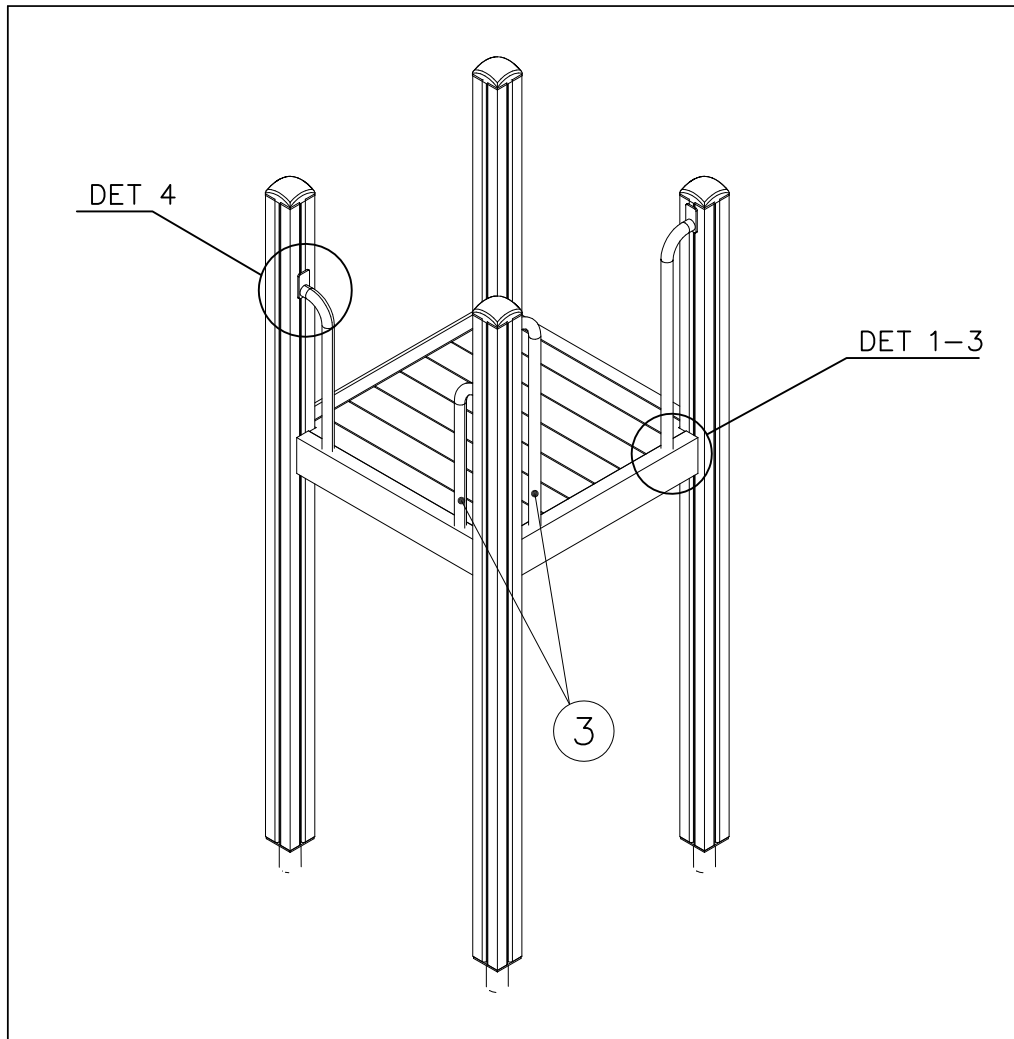
DET 2

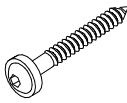





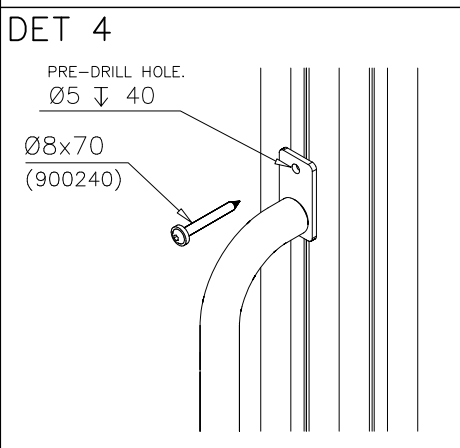
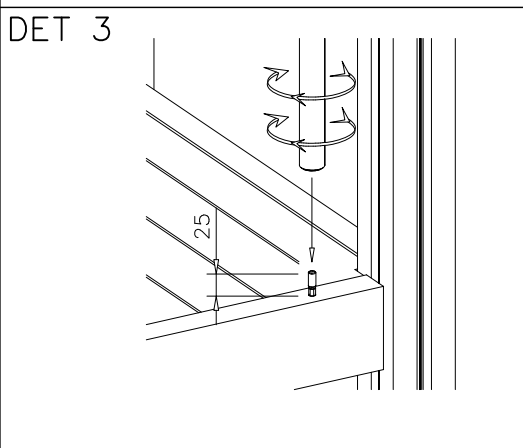
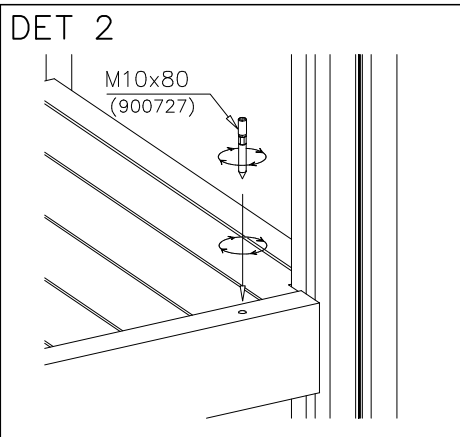


① 707314	PCS	② 900240	PCS
	1		4
BLACK		Ø8x70	
	PCS		PCS
	PCS		PCS
	PCS		PCS
	PCS		PCS





① 900240	PCS	② 900727	PCS
	1		1
Ø8x70		M10x80	
	PCS		PCS
③ 907688	PCS	③ 907701	PCS
	1		1
765		545	
	PCS		PCS
	PCS		PCS
	PCS		PCS
	PCS		PCS
	PCS		PCS



**Tuotekyltti tulee tuotteen mukana yhdellä seuraavista tavoista:****1) Metallinen tuotekyltti ja kiinnitysruuvit**

- Kiinnitä tuotekyltti ruuveilla tolppaan noin 2 metrin korkeuteen kuvan 1 mukaisesti.

2) Tuotekylttitarra

- Puhdista maalattu metalli- tai vaneripinta pölystä ja kosteudesta. Liimaa tarra kuvan 2 mukaisesti.
- Huom. Älä kiinnitä tarraa karheapintaiseen laminaattiin tai maalattuun puuhun.

Vår produktmärkning levereras på ett av följande sätt:**1) Produktskylt i metall**

- Fäst skylten med de medföljande skruvarna

2) Självhäftande produktetikett

- Rengör den pulverlackerade metallytan eller laminatyten så att den blir fri från smuts och fukt. Fäst etiketten enligt fig. 2.
- Obs! Fäst ej etiketten på detaljer med skrovlig yta eller på målat trä.

Product label is delivered by one of following ways:**1) Metal product label and screws**

- Fasten the label with screws.

2) Label sticker

- Clean the painted metal or plywood surface from dirt and moisture. Fasten the sticker as shown in the figure 2.
- Note. Do not attach the sticker to rough surfaced laminate or painted wood.

La plaque d'informations produit est livrée sous l'une de ces 3 formes :**1) Plaque métallique et vis**

- Fixez la plaque à l'aide des vis.

2) Etiquette autocollante

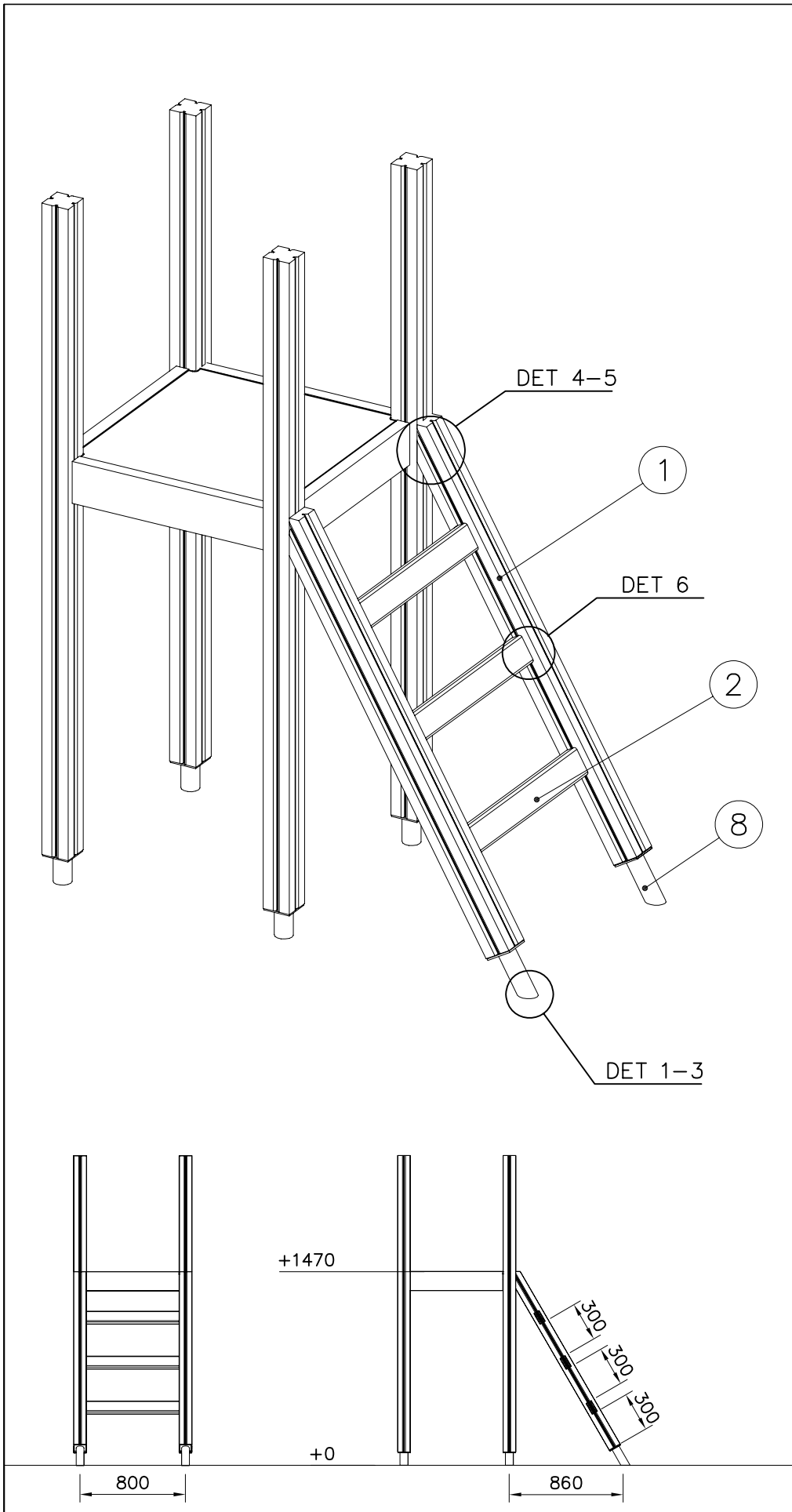
- Avant de coller l'étiquette, nettoyez le composant métallique peint ou la plaque de contreplaqué, de toute saleté. La surface doit être sèche (voir image 2).
- Attention, ne pas coller l'étiquette sur une surface lamellé-collée irrégulière ou sur du bois peint.

Die Auslieferung des Produktaufklebers erfolgt auf eine dieser Arten:**1) Produkt-Schild aus Metall incl. Schrauben**

- Die Befestigung des Schildes erfolgt mittels der Schrauben.

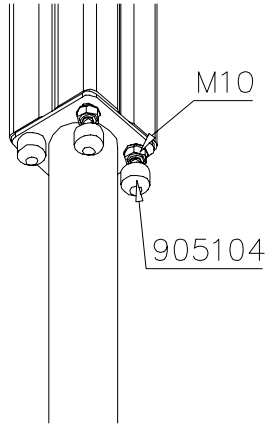
2) Aufkleber

- Entfernen Sie zunächst Schmutz und Feuchtigkeit vom lackierten Metall bzw. von der Holzoberfläche und bringen Sie den Aufkleber wie im Bild oben rechts beschrieben auf den gesäuberten Untergrund auf.
- Beachten Sie: Bringen Sie den Aufkleber nicht auf raues laminiertes oder lackiertes Holz an.

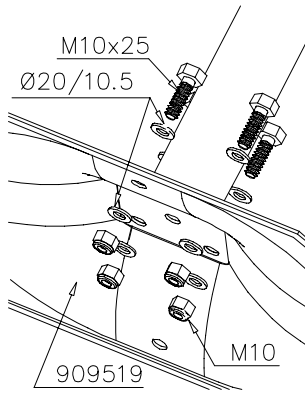


① 703325	PCS	② 703338	PCS
	2		3
95x95x1530		45x95x724	
③ 905051	PCS	④ 905104	PCS
	16		8
∅24/8.4		M10	
⑤ 909231	PCS	⑥ 909233	PCS
	2		2
8x130		8x100	
⑦ 909238	PCS	⑧ 909511	PCS
	12		2
8x90		90x90x650	
⑨ 909519	PCS	⑩ 909637	PCS
	2		8
50x380x380		M10	
⑪ 909638	PCS	⑫ 909639	PCS
	16		8
∅20/10,5		M10x25	
	PCS		PCS
	PCS		PCS

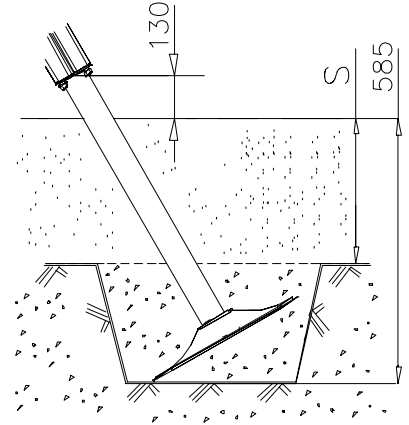
DET 1



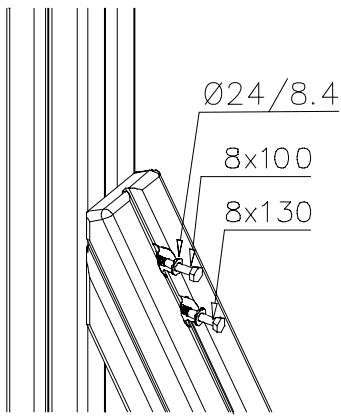
DET 2



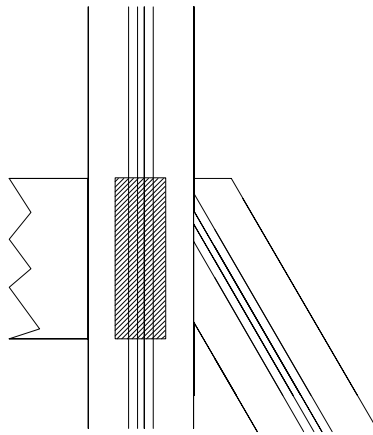
DET 3



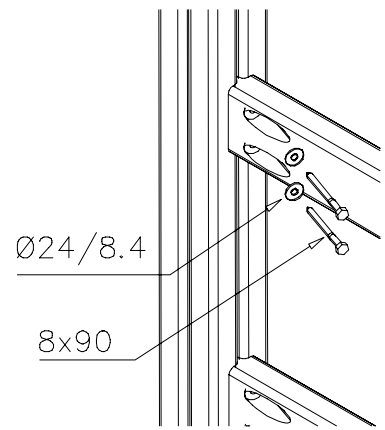
DET 4

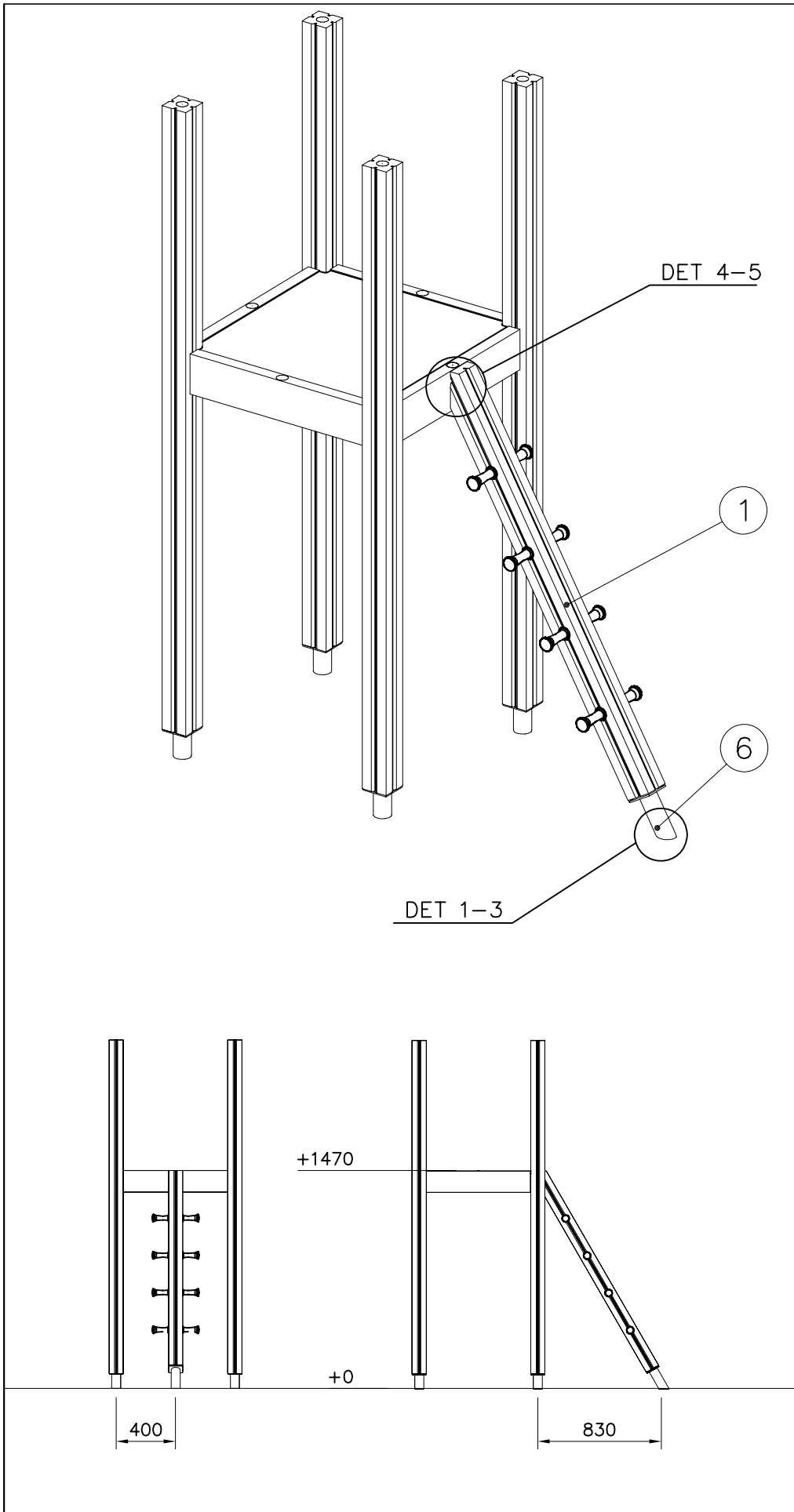



DET 5



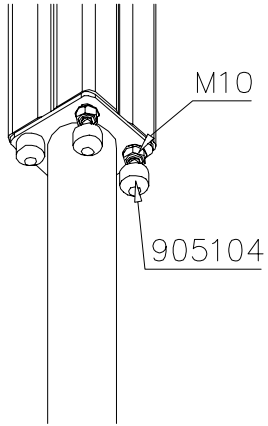
DET 6



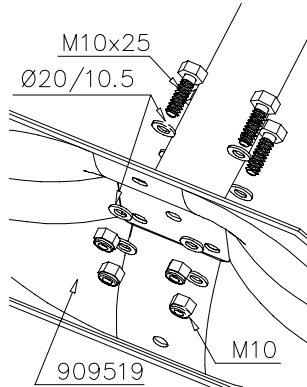


① 703132	PCS	② 905051	PCS
	1		2
		 Ø24/8.4	
③ 905104	PCS	④ 909217	PCS
	4		1
M10		8x70	
⑤ 909233	PCS	⑥ 909511	PCS
	1		1
8x100		90x90x650	
⑦ 909519	PCS	⑧ 909637	PCS
	1		4
50x380x380		M10	
⑨ 909638	PCS	⑩ 909639	PCS
	8		4
Ø20/10,5		M10x25	
		PCS	PCS
		PCS	PCS
		PCS	PCS

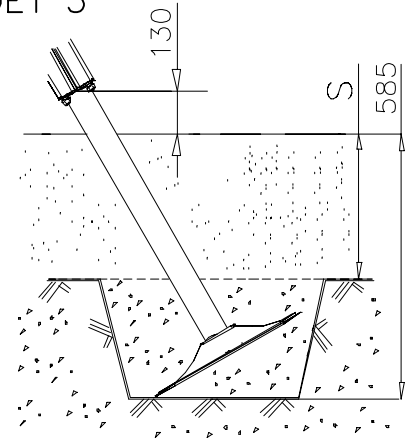
DET 1



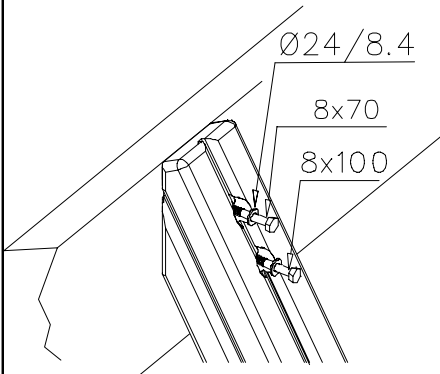
DET 2



DET 3



DET 4



DET 5

