

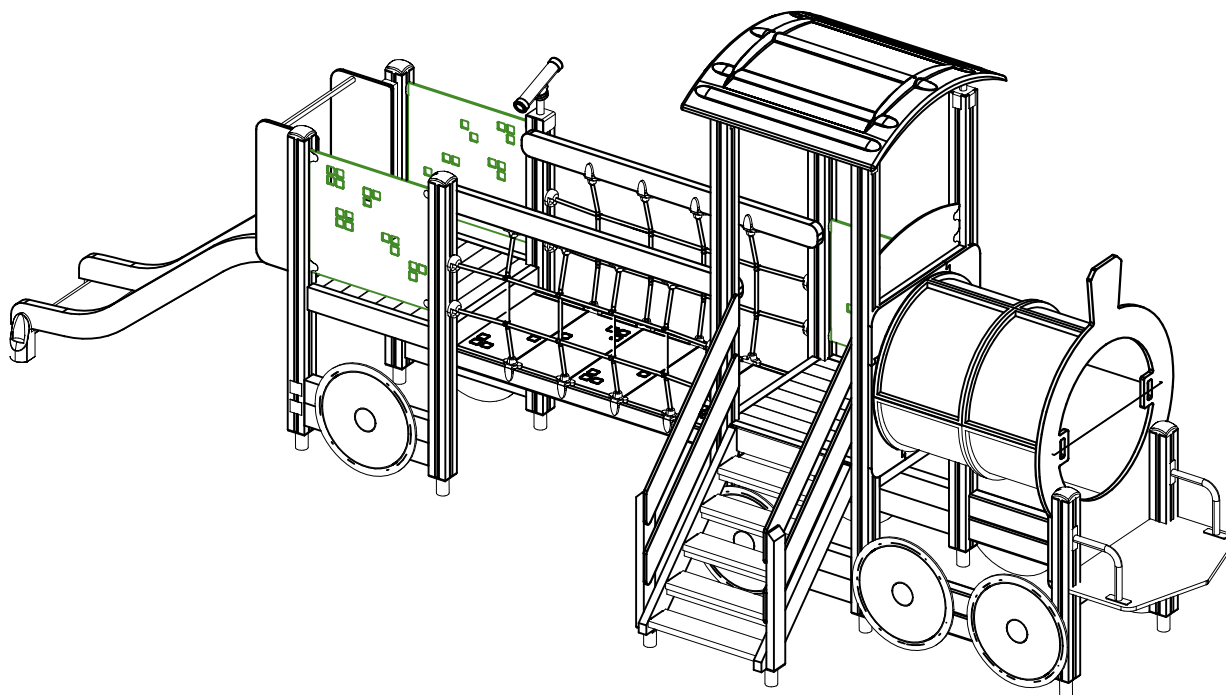
LAPPSET®

NEW FINNO



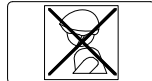

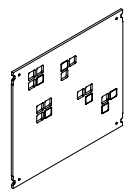
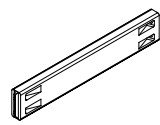
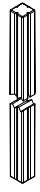
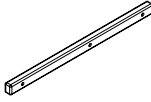
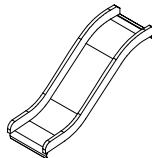

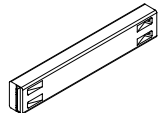
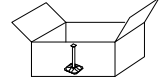
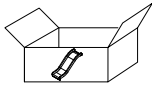
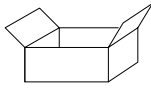
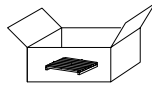


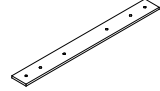
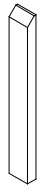
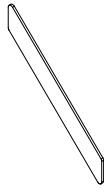
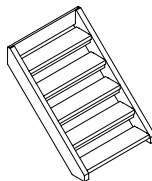
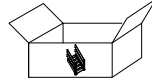
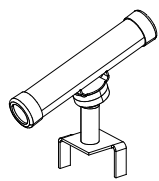
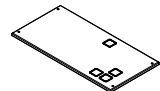
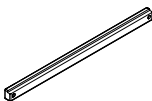
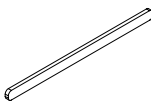
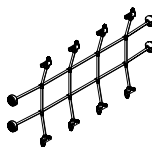
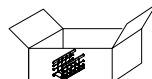
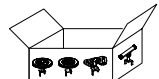
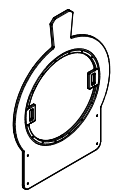
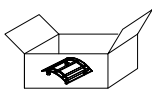
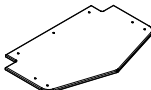
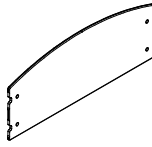
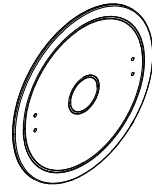
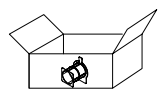
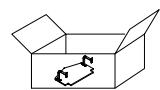
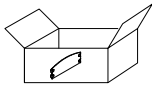
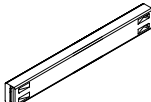
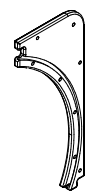
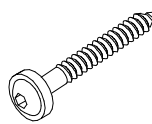
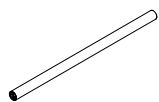
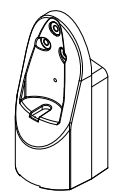
ASENNUSOHJE
MONTERINGSANSVISNING
INSTALLATION INSTRUCTION
AUFBAUANLEITUNG
NOTICE D'INSTALLATION

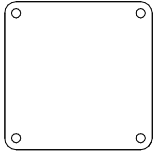
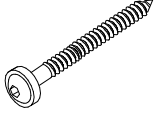
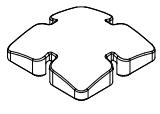
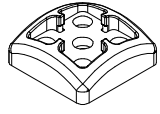
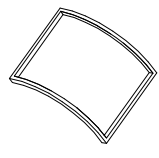
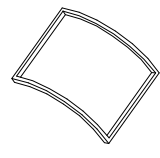
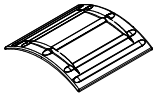
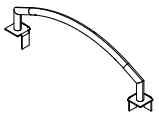
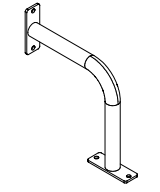
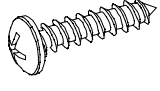
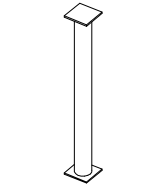
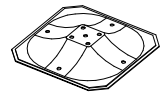
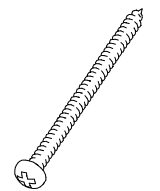
DATE: 9.6.2016

137935

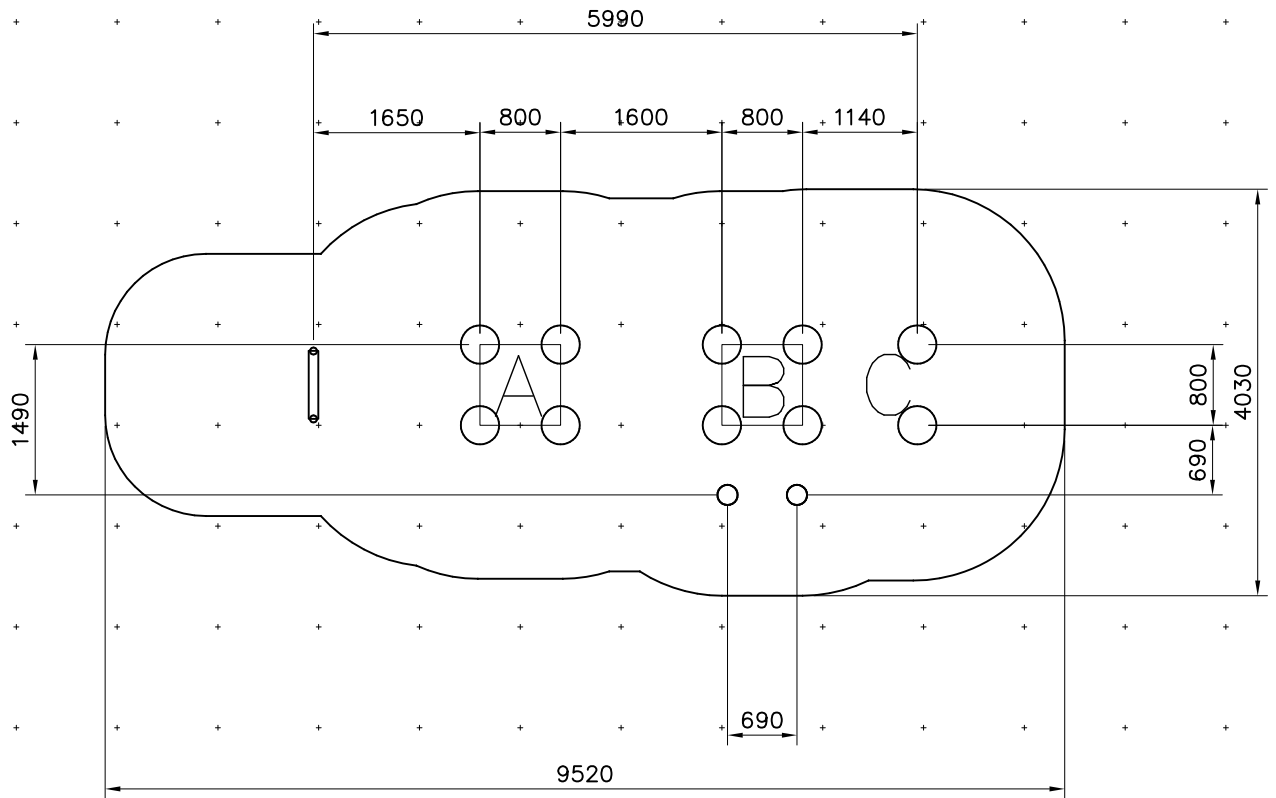
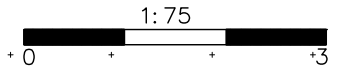


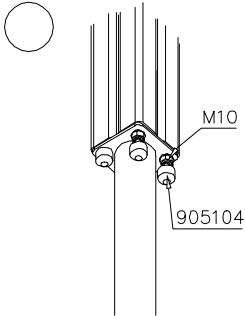
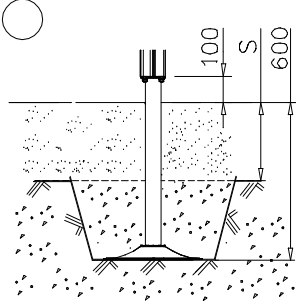
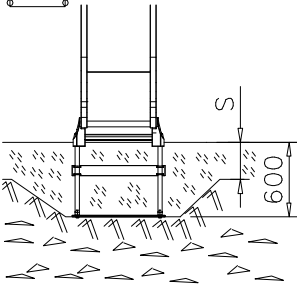
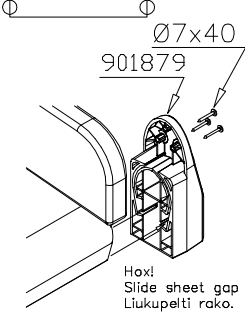
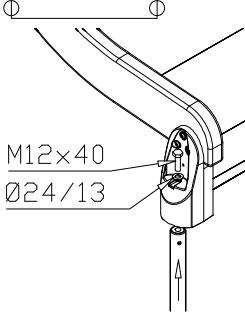
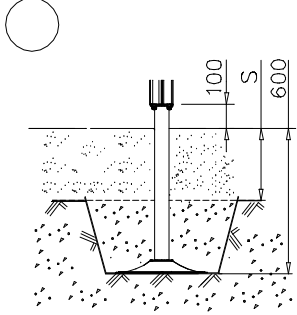
DATE: 10.6.2016

| | | | | | | | | | | | |
|---|----------|--|----------|---|----------|---|-----------|---|-----------|---|-----------|
| 008986  750x750 | PCS 2 | 702286  90x50 | PCS 1 | 702339  90x50 | PCS 1 | 706371-707  15x345x750 | PCS 2 | 706436-707  10x640x702 | PCS 3 | 706439-602  L 704 | PCS 8 |
| 706441-602  93x93x1550 | PCS 4 | 706443  32x45x702 | PCS 4 | 706452-602  600x780x1470 | PCS 1 | 706505  35x70x730 | PCS 2 | 706512-602  70x120x704 | PCS 10 | 706531  10x80x745 | PCS 12 |
| 706533  93x93x2400 | PCS 1 | 706534  L 950 | PCS 3 | 706535  93x93x2400 | PCS 2 | 706669-602  93x93x2400 | PCS 4 | 706894-602  L 950 | PCS 2 | 707133  10x80x745 | PCS 1 |
| 707145-602  43x93x717 | PCS 2 | 707146-707  15x145x1153 | PCS 4 | 707191-602  +870 | PCS 1 | 707224  15x630x310 | PCS 1 | 707304  15x630x310 | PCS 1 | 707398-707  15x630x310 | PCS 5 |
| 707399-602  70x95x1680 | PCS 2 | 707401-609  45x120x1680 | PCS 2 | 707402-305  1505x720 | PCS 2 | 707405  21x1100x1550 | PCS 1 | 707585  21x1100x1550 | PCS 1 | 707599-609  21x1100x1550 | PCS 1 |
| 707623  20x570x890 | PCS 1 | 707645  20x570x890 | PCS 1 | 707647  8x280x700 | PCS 1 | 707648  10x570x570 | PCS 8 | 707649  Ø34x598 | PCS 1 | 707650  Ø34x598 | PCS 1 |
| 707651  70x120x1062 | PCS 1 | 707659-602  70x120x1062 | PCS 4 | 707918-707  20x275x640 | PCS 4 | 900240  Ø8x70 | PCS 32 | 901868  Ø34x598 | PCS 3 | 901879  Ø34x598 | PCS 2 |

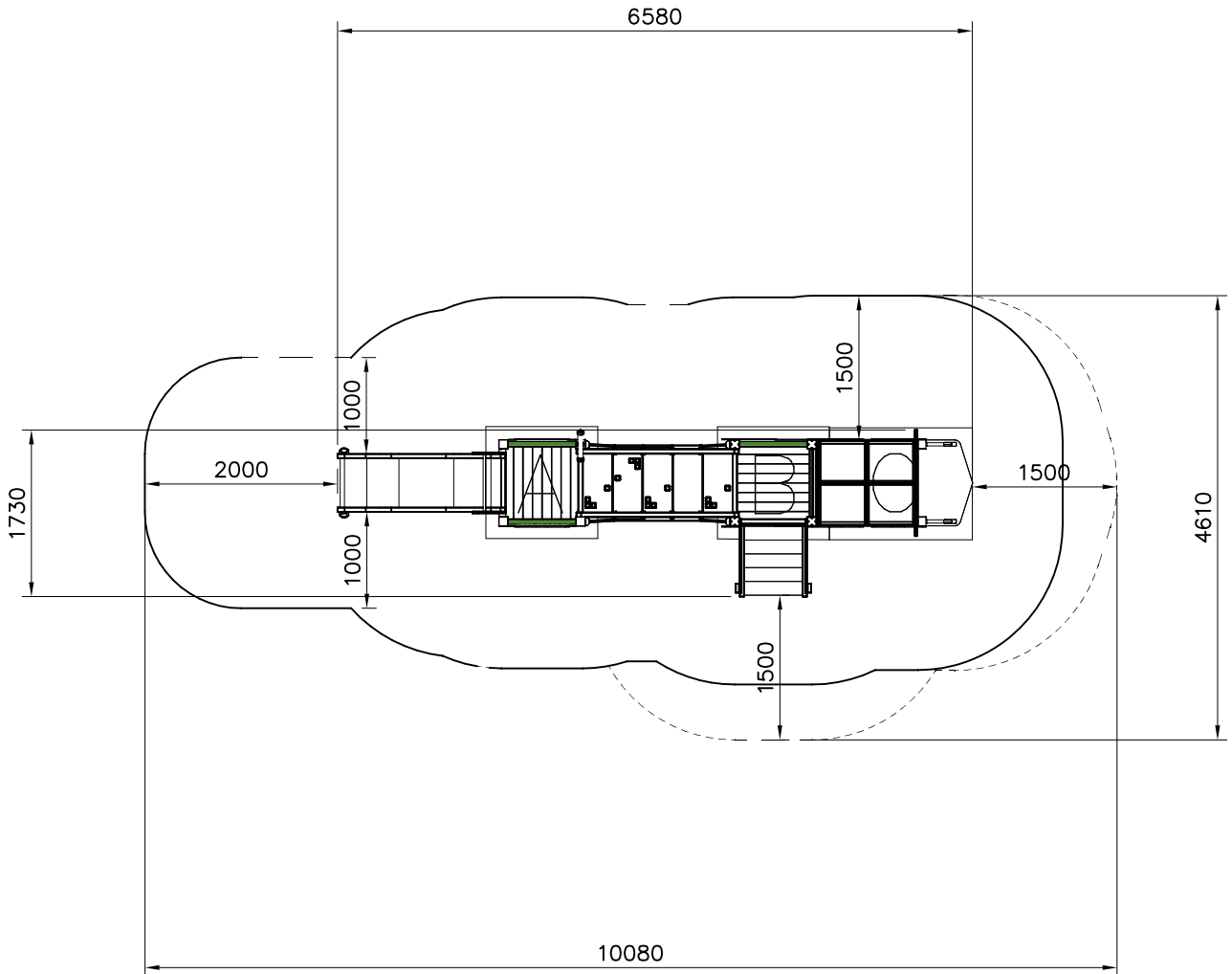
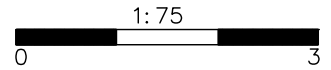
| | | | | | | | | | | | |
|--|-----------|--|-----------|--|----------|--|----------|--|-----------|---|-----------|
| 902487  65x65 | PCS 2 | 903093  Ø8x90 | PCS 88 | 905138  GRAY | PCS 5 | 905196  GRAY | PCS 5 | 905821  GRAY | PCS 4 | 905829  STRAIGHT CLE | PCS 4 |
| 908251  1100x1100x215 | PCS 1 | 908330-216  Ø33,7x235x235 | PCS 2 | 908355-216  Ø33,7x235x235 | PCS 2 | 909506  Ø3.5x13 | PCS 8 | 909511  90x90x650 | PCS 12 | 909519  50x380x380 | PCS 12 |
| 980131  Ø6x60 | PCS 20 | | PCS | | PCS | | PCS | | PCS | | PCS |
| | PCS | | PCS | | PCS | | PCS | | PCS | | PCS |
| | PCS | | PCS | | PCS | | PCS | | PCS | | PCS |
| | PCS | | PCS | | PCS | | PCS | | PCS | | PCS |
| | PCS | | PCS | | PCS | | PCS | | PCS | | PCS |

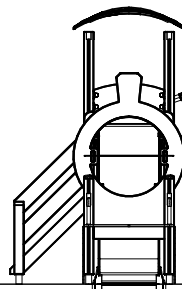
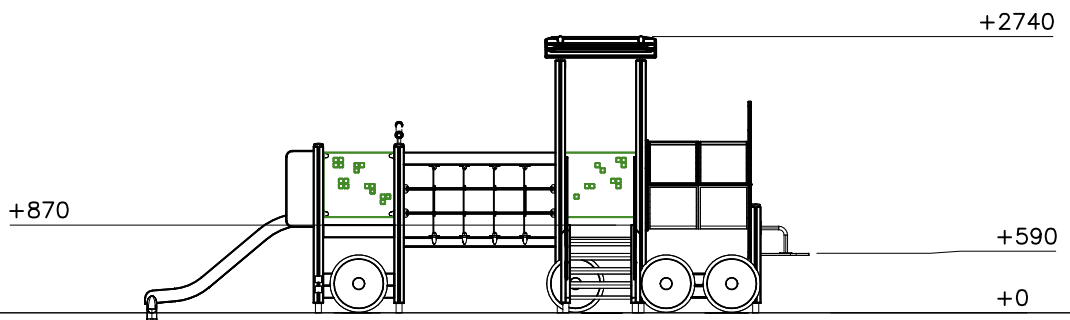
EN/AS Impact Area 32.2 m²
Grid Size 1000 mm

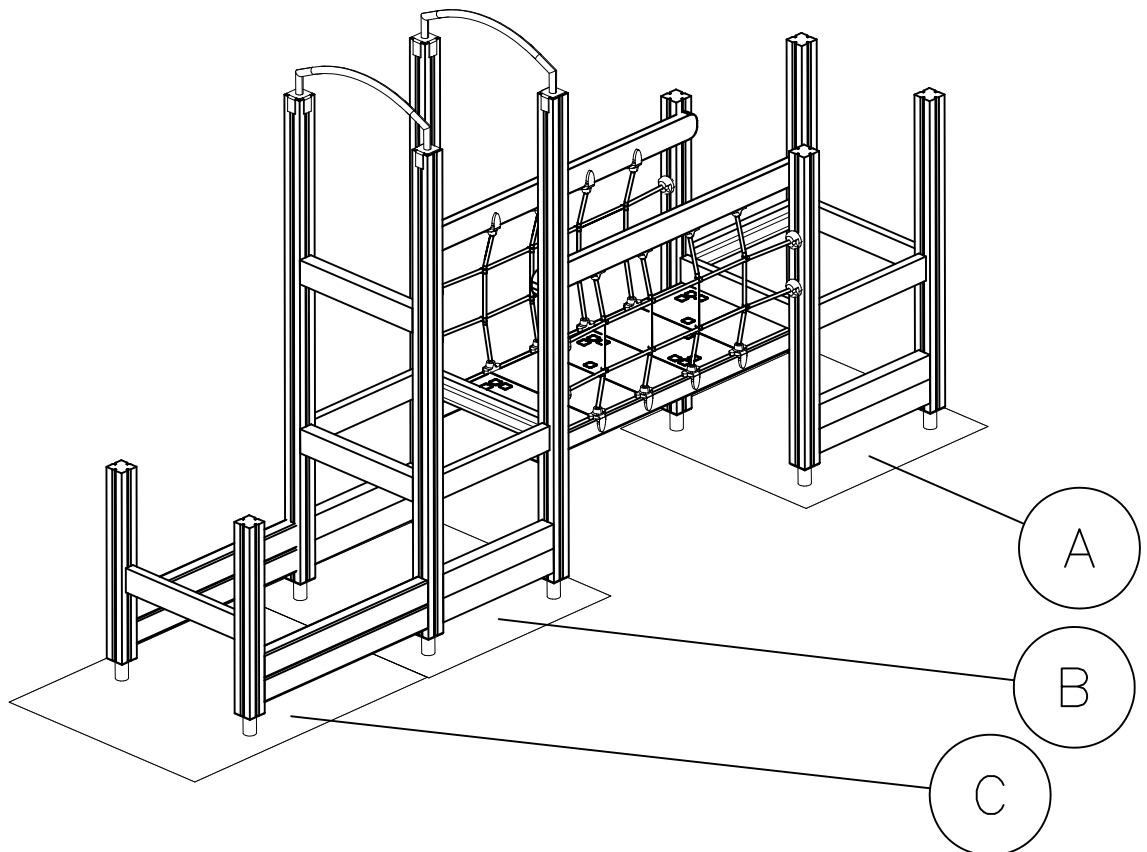
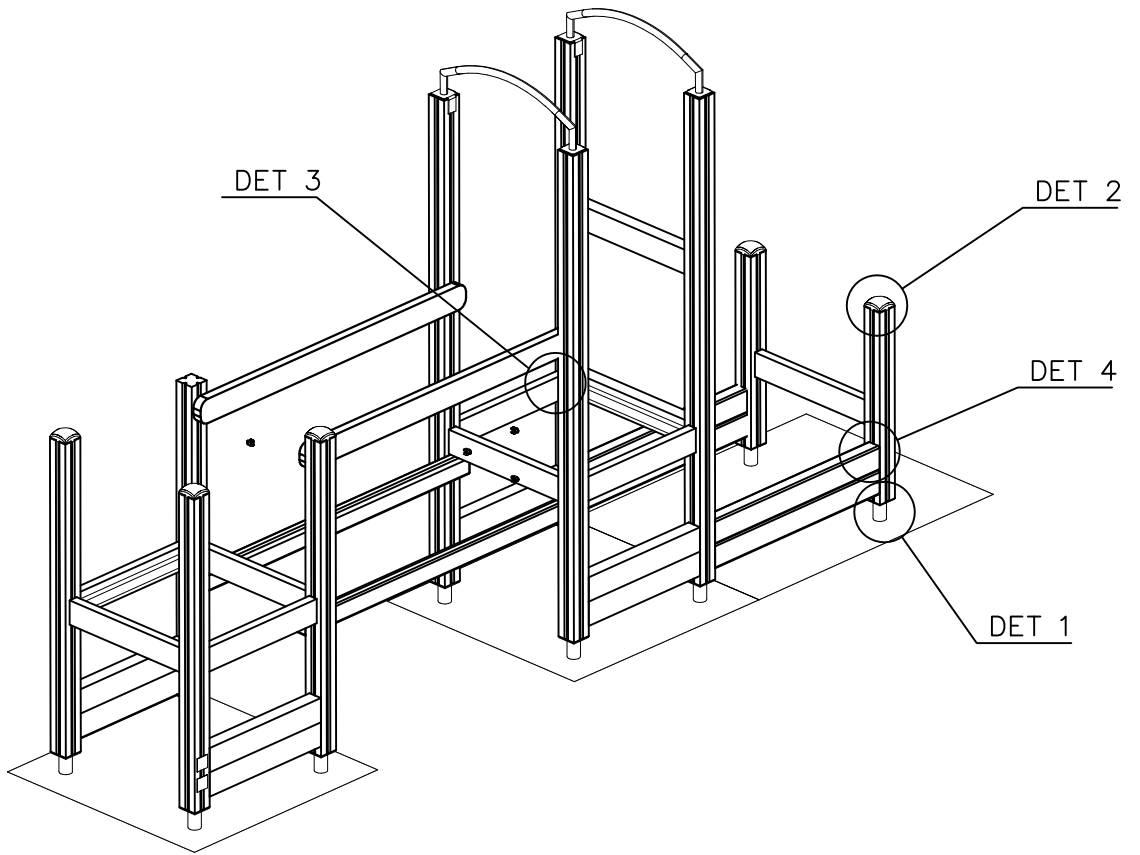


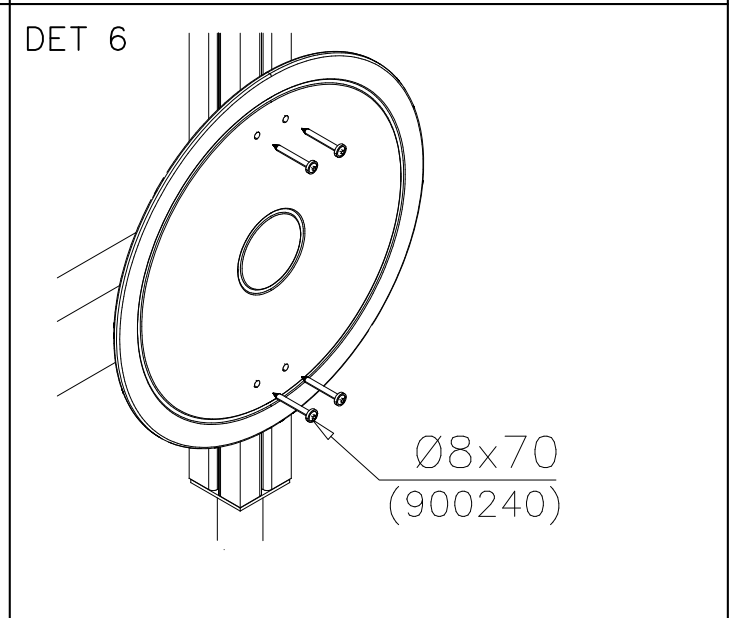
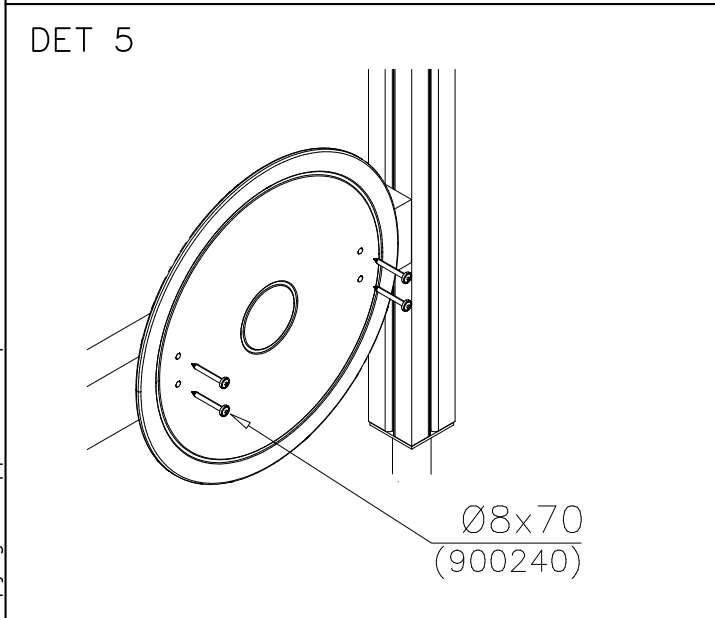
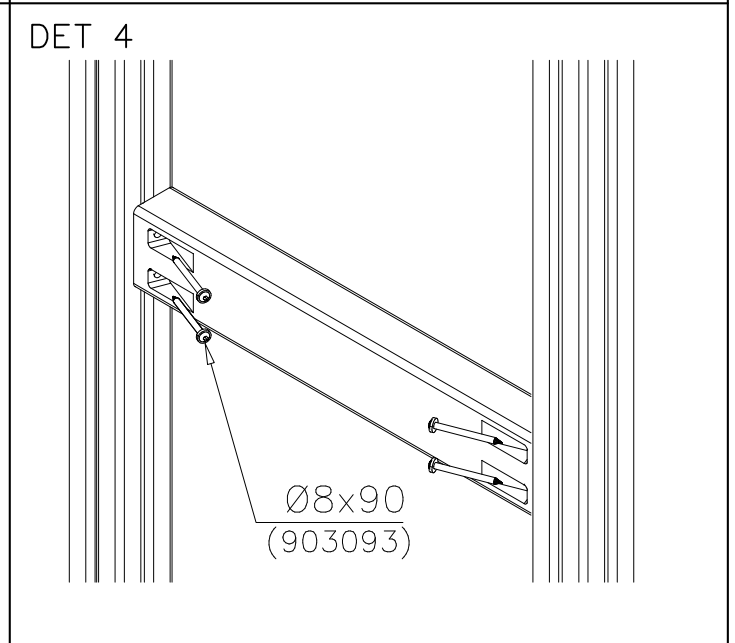
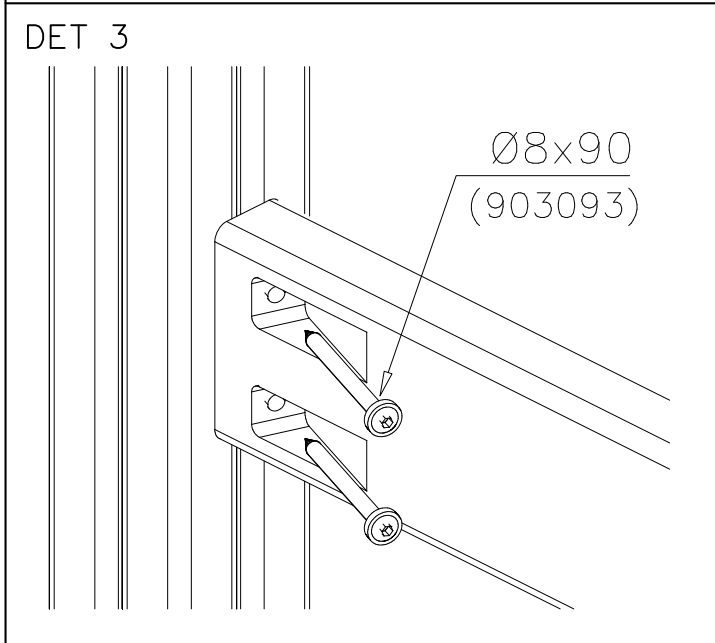
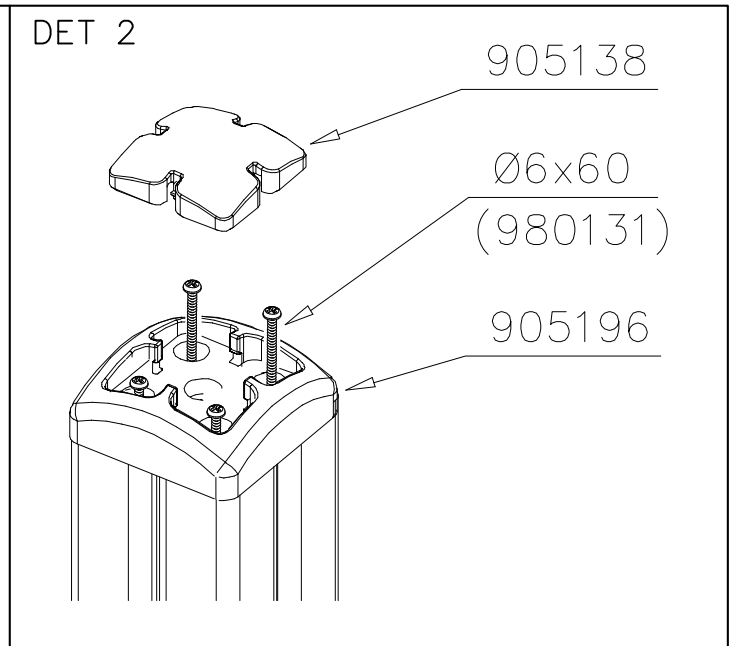
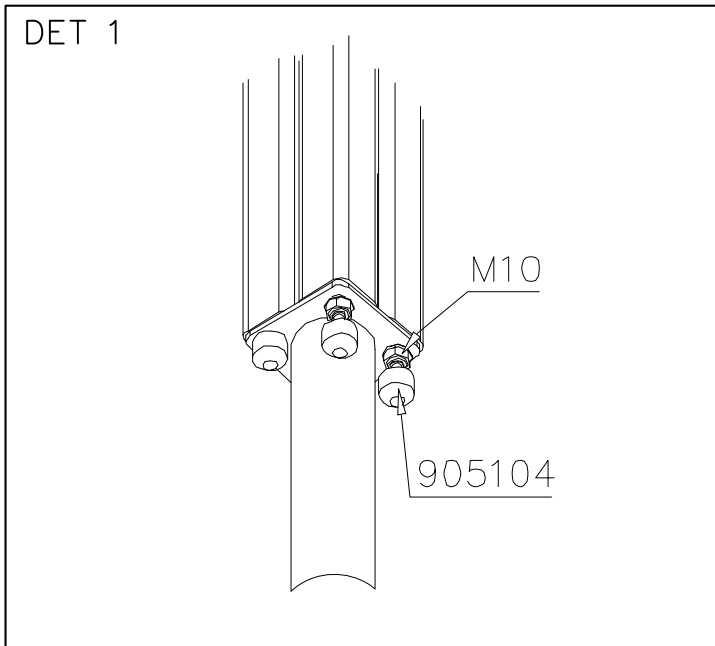
| | | |
|--|---|---|
|  <p>M10 905104</p> |  <p>100 S 600</p> |  <p>S 600</p> |
|  <p>Ø7x40 901879 Hox! Slide sheet gap Liukupelti rako.</p> |  <p>M12x40 Ø24/13</p> |  <p>100 S 600</p> |
| | | |
| | | |

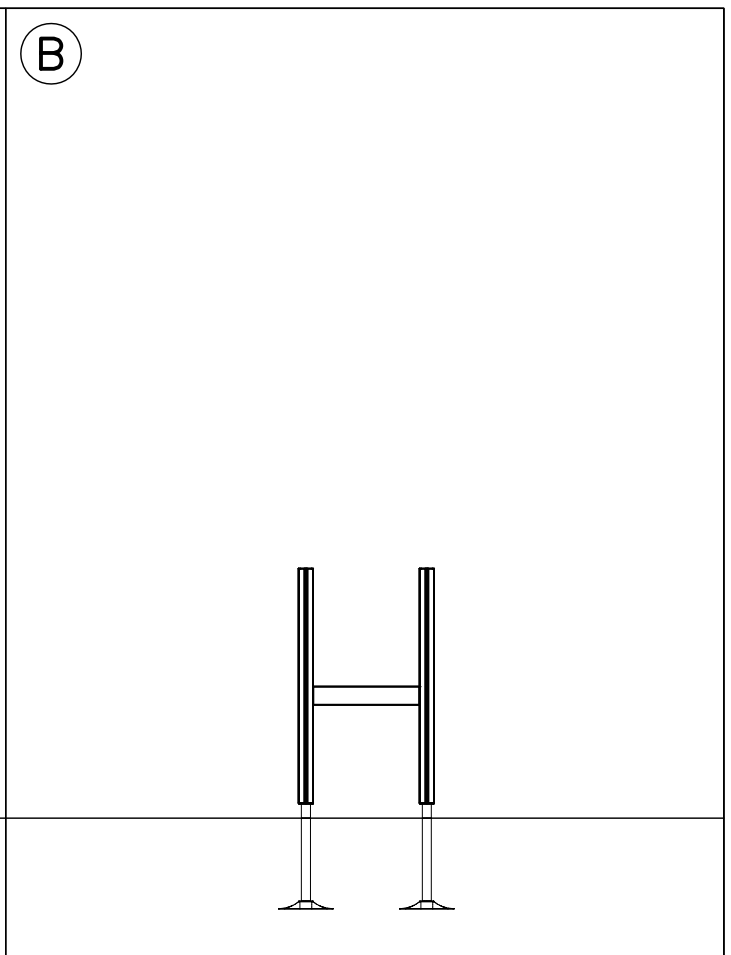
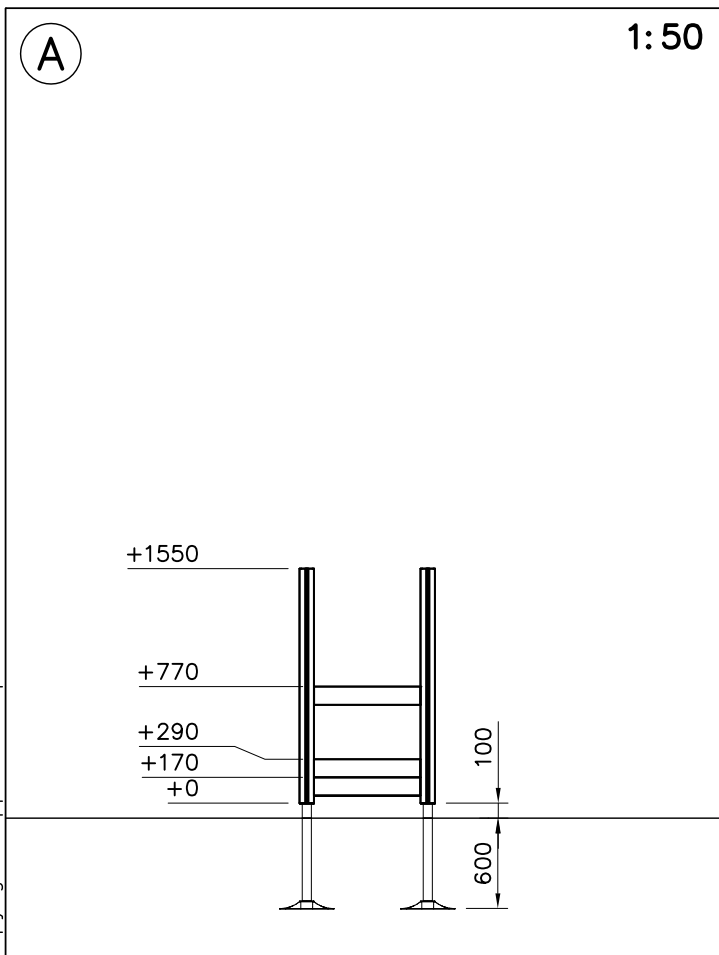
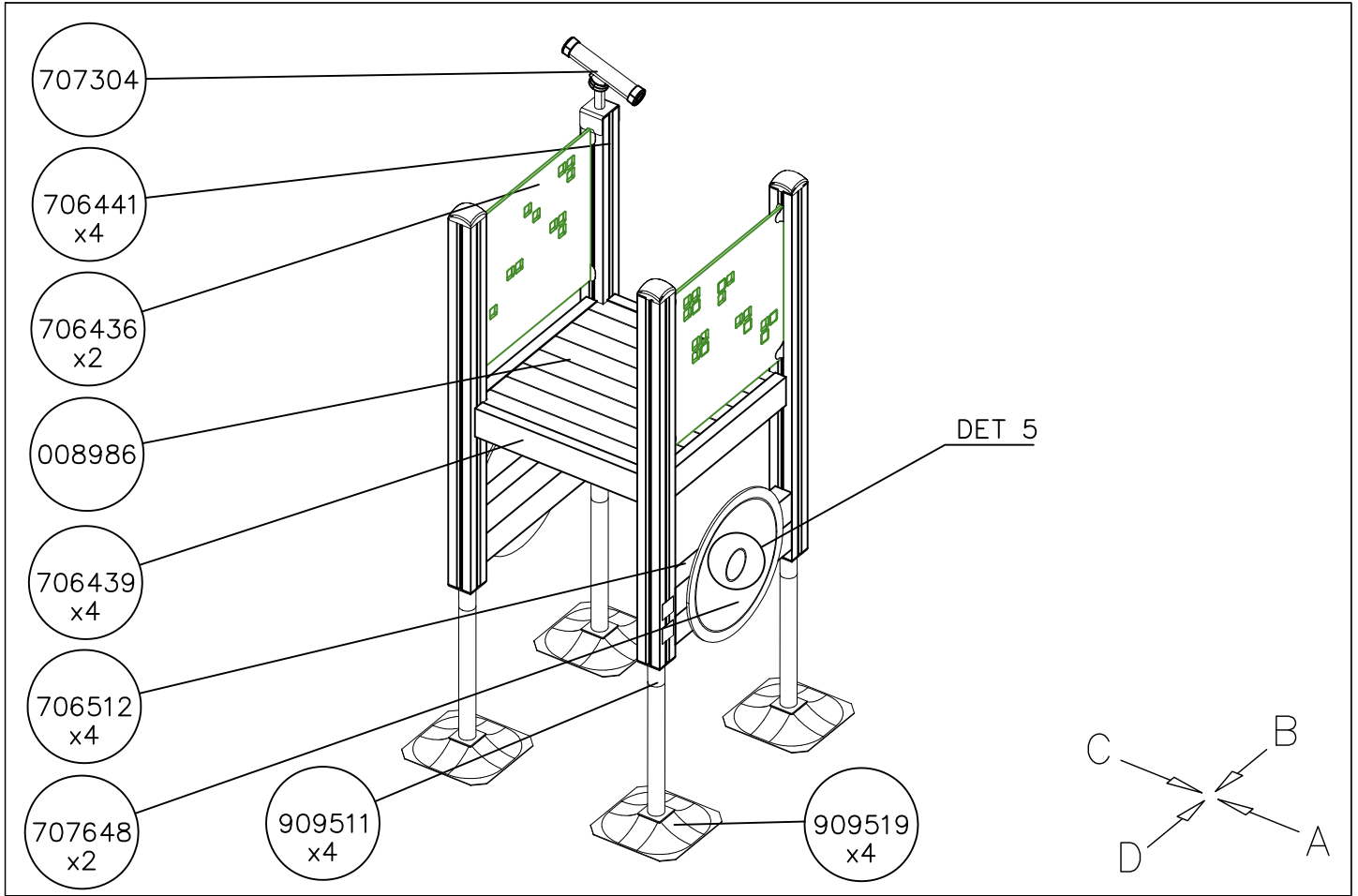
- EN/AS Impact Area 32.2 m²
- - - Falling Space 35.6 m²
Max Falling Height 1000 mm

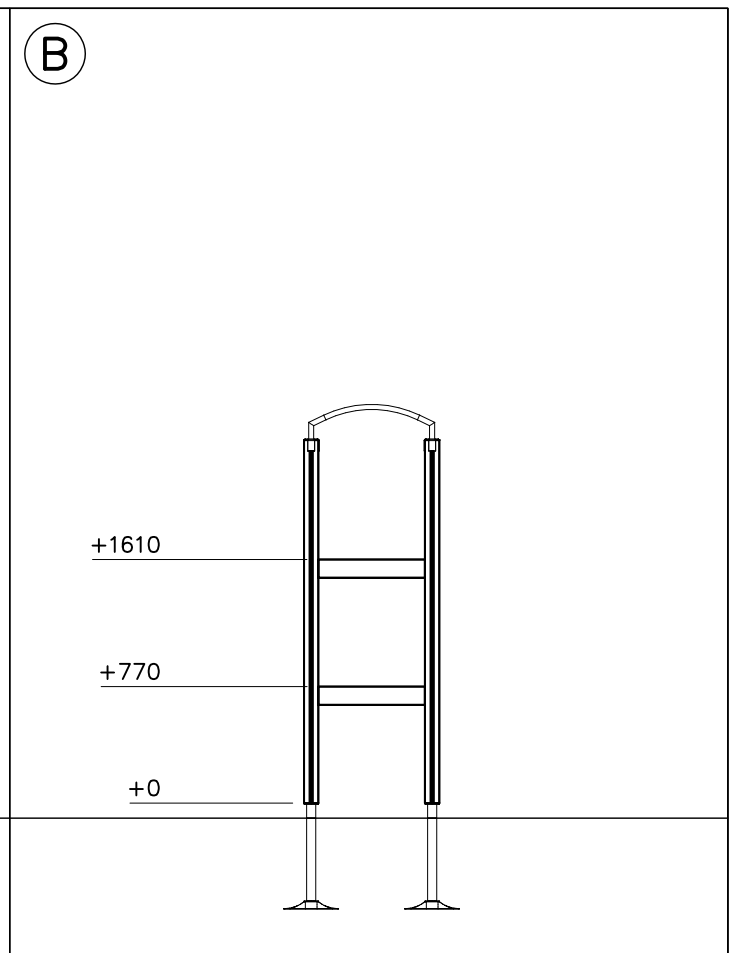
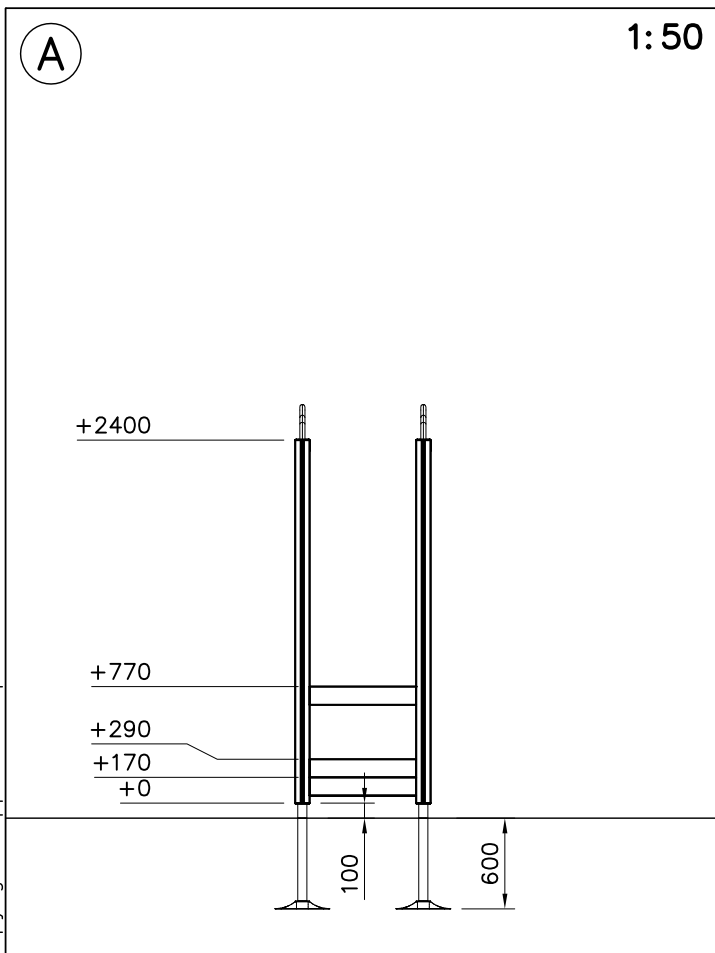
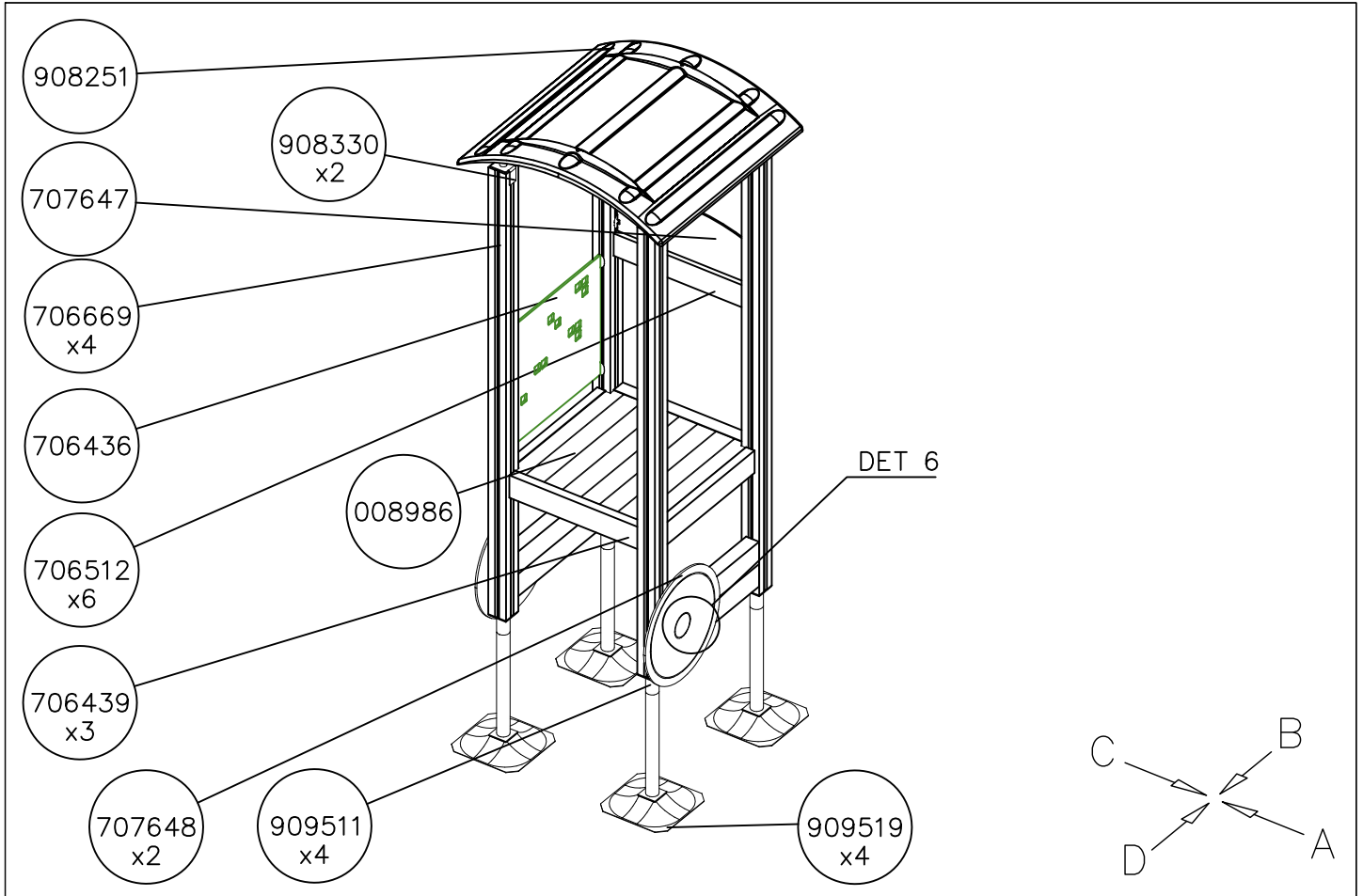


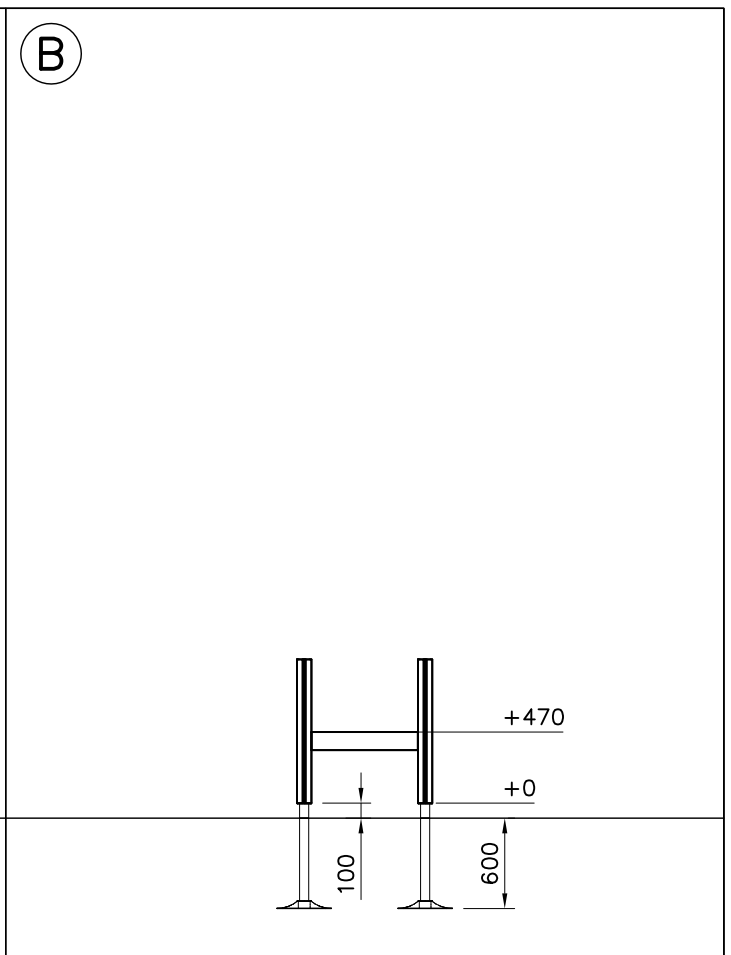
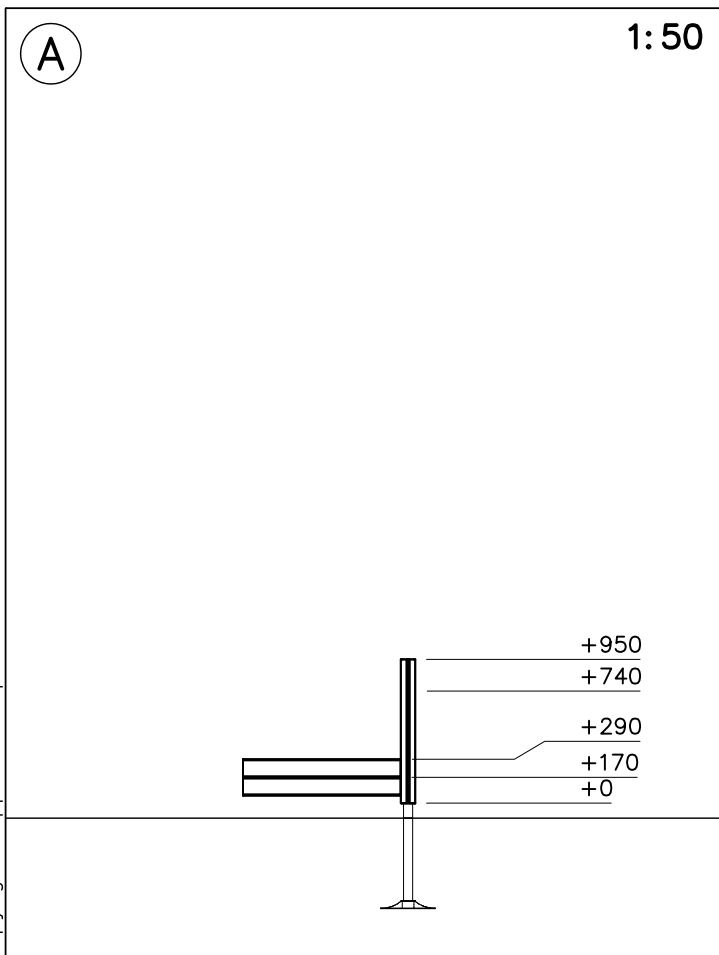
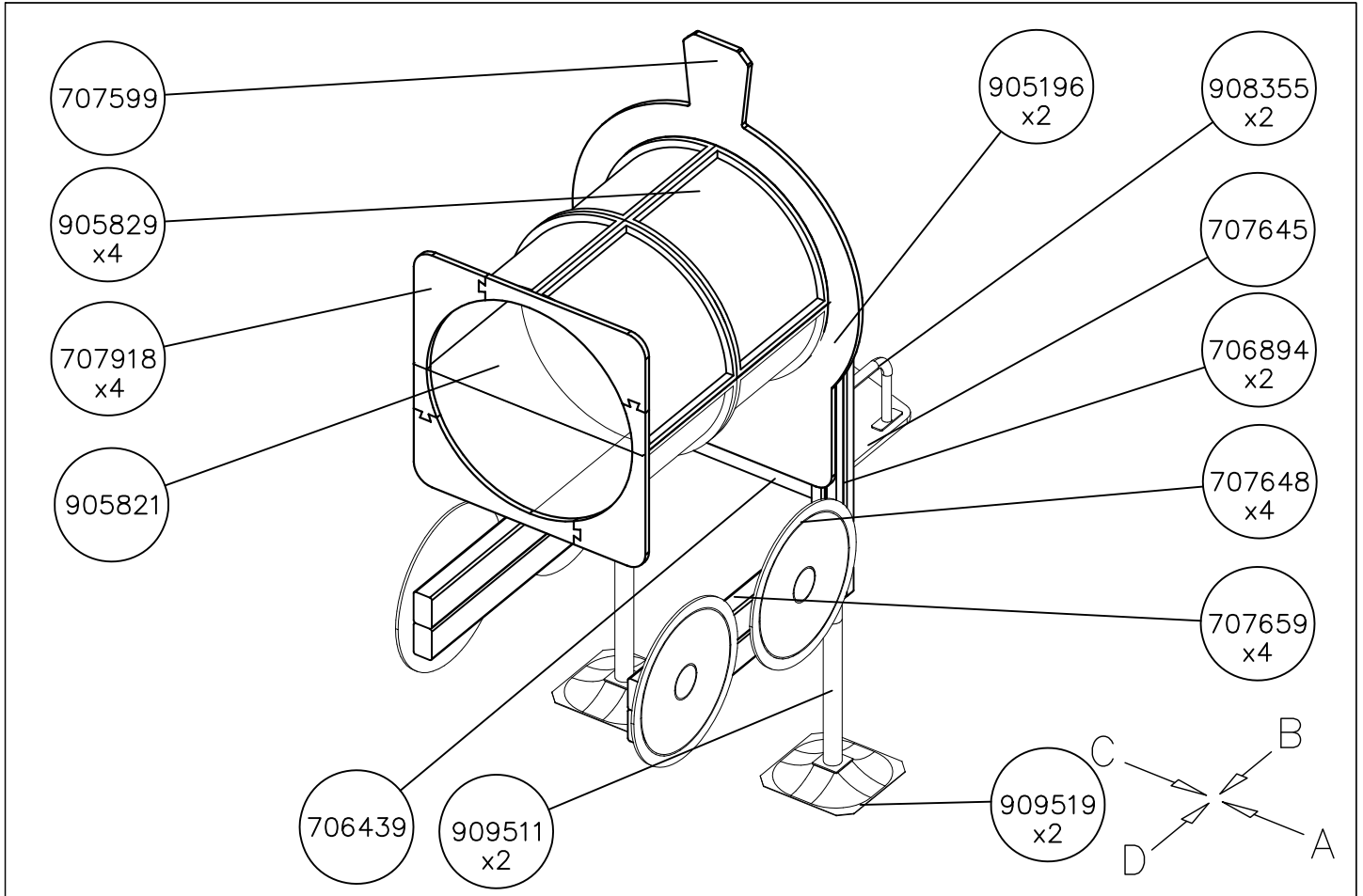


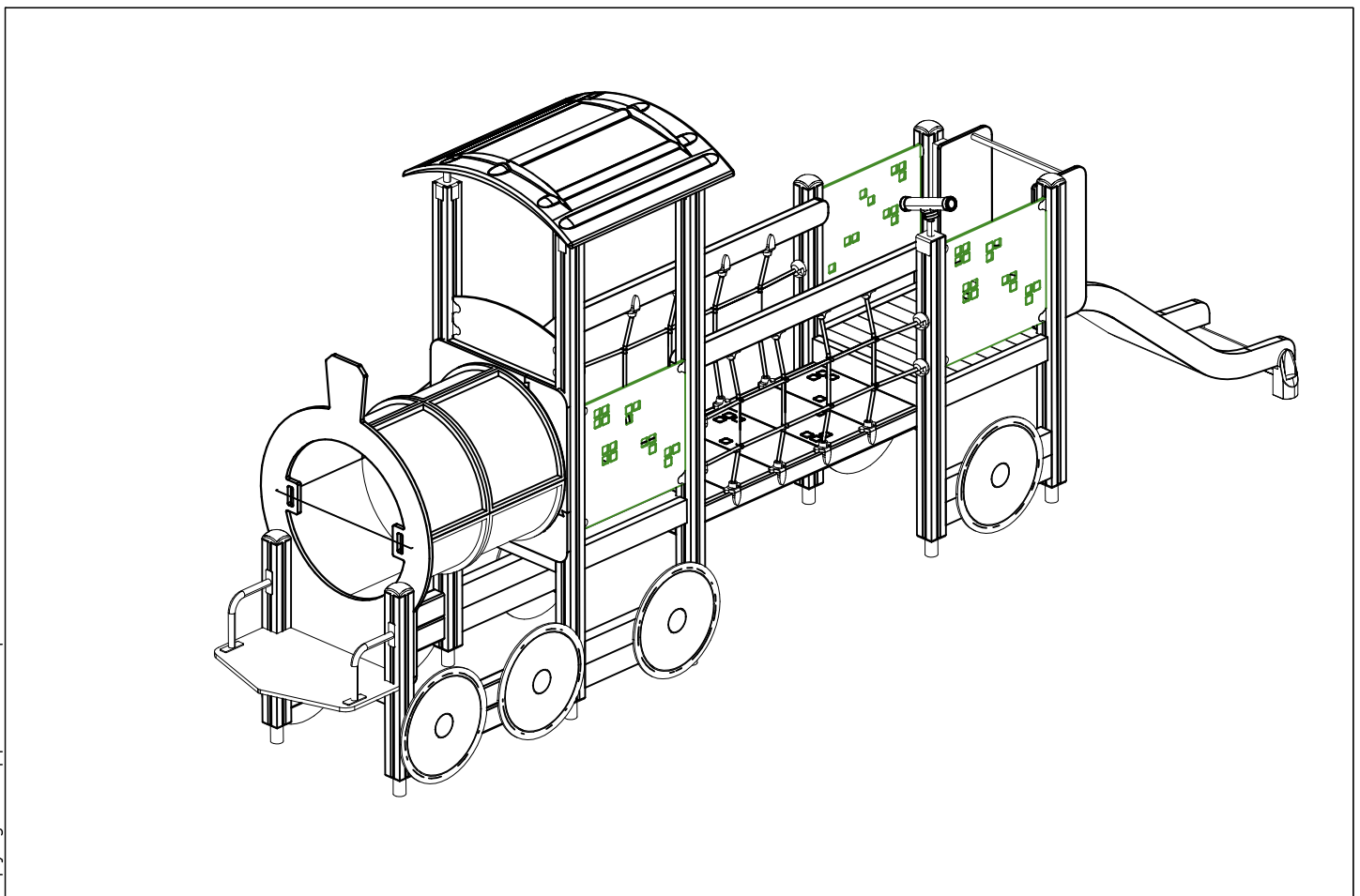
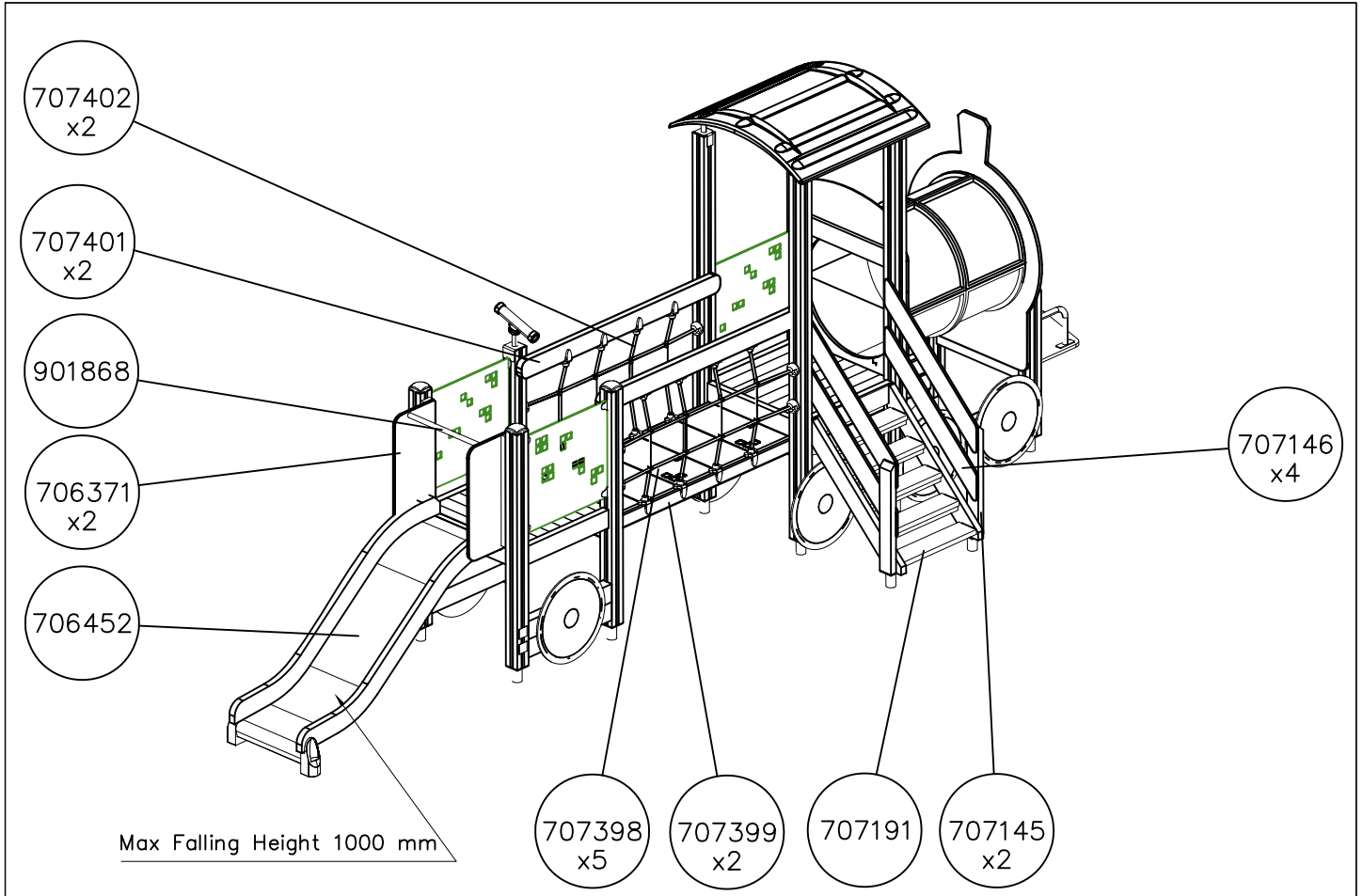














LAPPSET®
BETON FOUNDATION

FOOT

DATE: 27.10.2015

1(1)

| | | | |
|--|-----|--|-----|
| ② 905104 | PCS | | PCS |
| | 4 | | |
|  M10 | PCS | | PCS |
| | | | |



905104

LAPPSET® DEEP FOUNDATION

FOOT

DATE: 15.5.2018

1(1)



| | | | | | |
|-------------|-----------|-----|------------|--------|-----|
| ① | 909511 | PCS | ② | 909519 | PCS |
| | | 1 | | 1 | |
| | 90x90x650 | | 50x380x380 | | |
| ③ | 909637 | PCS | ④ | 909638 | PCS |
| | | 4 | | 8 | |
| | M10 | | Ø20/10.5 | | |
| ⑤ | 909639 | PCS | ⑥ | 905104 | PCS |
| | | 4 | | 4 | |
| | M10x25 | | M10 | | |
| OPTION FOOT | | | | | |
| ① | 911155 | PCS | | | PCS |
| | | 1 | | | |
| | 90x90x650 | | | | |

LAPPSET

DEEP FOUNDATION

SLIDE WOOD

DATE: 22.5.2015

1(1)





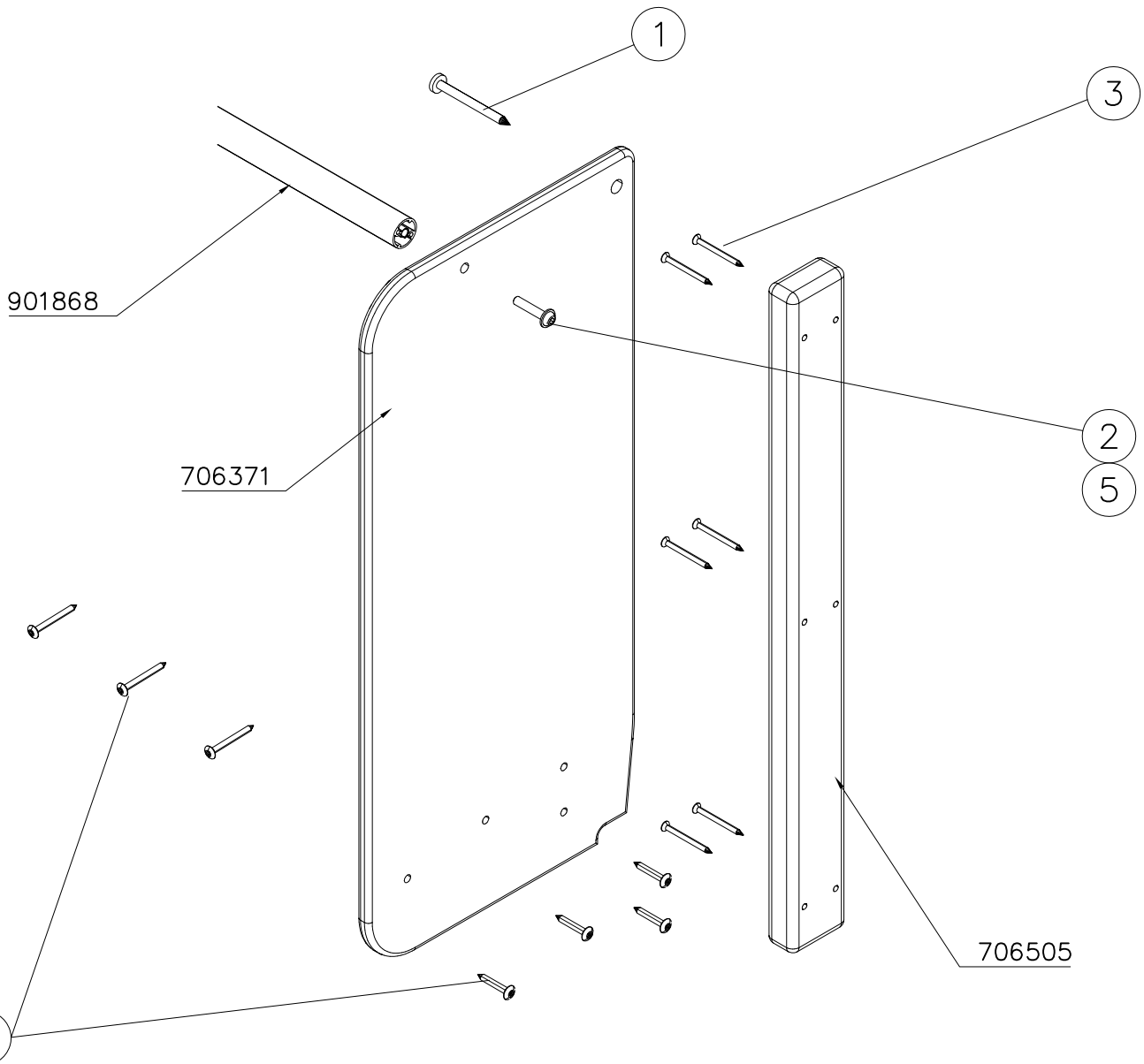
SLIDE OPTIONS

| | | |
|---|---|--|
| <p>706450 +1470</p>  | <p>706450-602 DARK BROWN 706450-603 LIGHT BROWN 706450-604 LIGHT GRAY</p> | |
| <p>706452 +870</p>  | <p>706452-602 DARK BROWN 706452-603 LIGHT BROWN 706452-604 LIGHT GRAY</p> | |

WALL OPTIONS

| | | |
|---|--|---|
| <p>706371</p>  | <p>706371-701 BLUE 706371-702 YELLOW 706371-703 LIME 706371-704 DRARK GRAY 706371-705 LIGHT GRAY 706371-706 RED</p> | <p>706371-707 GREEN 706371-708 FUXIA</p> |
|---|--|---|

| | | | | | | | | | | | |
|--|-----|---|-----|---|-----|---|-----|--|-----|---|-----|
| ○ SLIDE | PCS | ○ SLIDE | PCS | ○ 706371 | PCS | ○ 706505 | PCS | ○ 901868 | PCS | ① 903093 | PCS |
|  | 1 |  | 1 |  | 2 |  | 2 |  | 1 |  | 2 |
| +1470 | | +870 | | 15x345x750 | | 35x70x730 | | Ø34x598 | | Ø8x90 | |
| ② 909876 | PCS | ③ 980100 | PCS | ④ 980128 | PCS | ⑤ 999561 | PCS | | | | |
|  | 2 |  | 12 |  | 11 |  | 1 | | | | |
| M8x40 | | Ø5x60 | | Ø7x40 | | 10g | | | | | |





LAPPSET

DEEP FOUNDATION

SLIDE WOOD

DATE: 3.11.2017

4(5)

| | | | | | | | | | | | |
|--|-----|---|-----|---|-----|---|-----|--|-----|---|-----|
| ○ 707133 | PCS | ○ 901868 | PCS | ○ 901879 | PCS | ⑥ 909210 | PCS | ⑦ 905051 | PCS | ⑧ 980128 | PCS |
|  | 1 |  | 2 |  | 2 |  | 4 |  | 4 |  | 6 |
| 10x80x745 | | Ø30x598 | | | | M8x40 | | Ø24/8.4 | | Ø7x40 | |



DET 6



Insert sheet metal IN to the plastic cover.



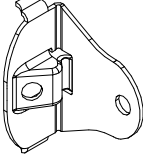
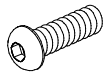
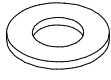
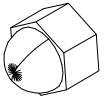

DET 7



DET 8

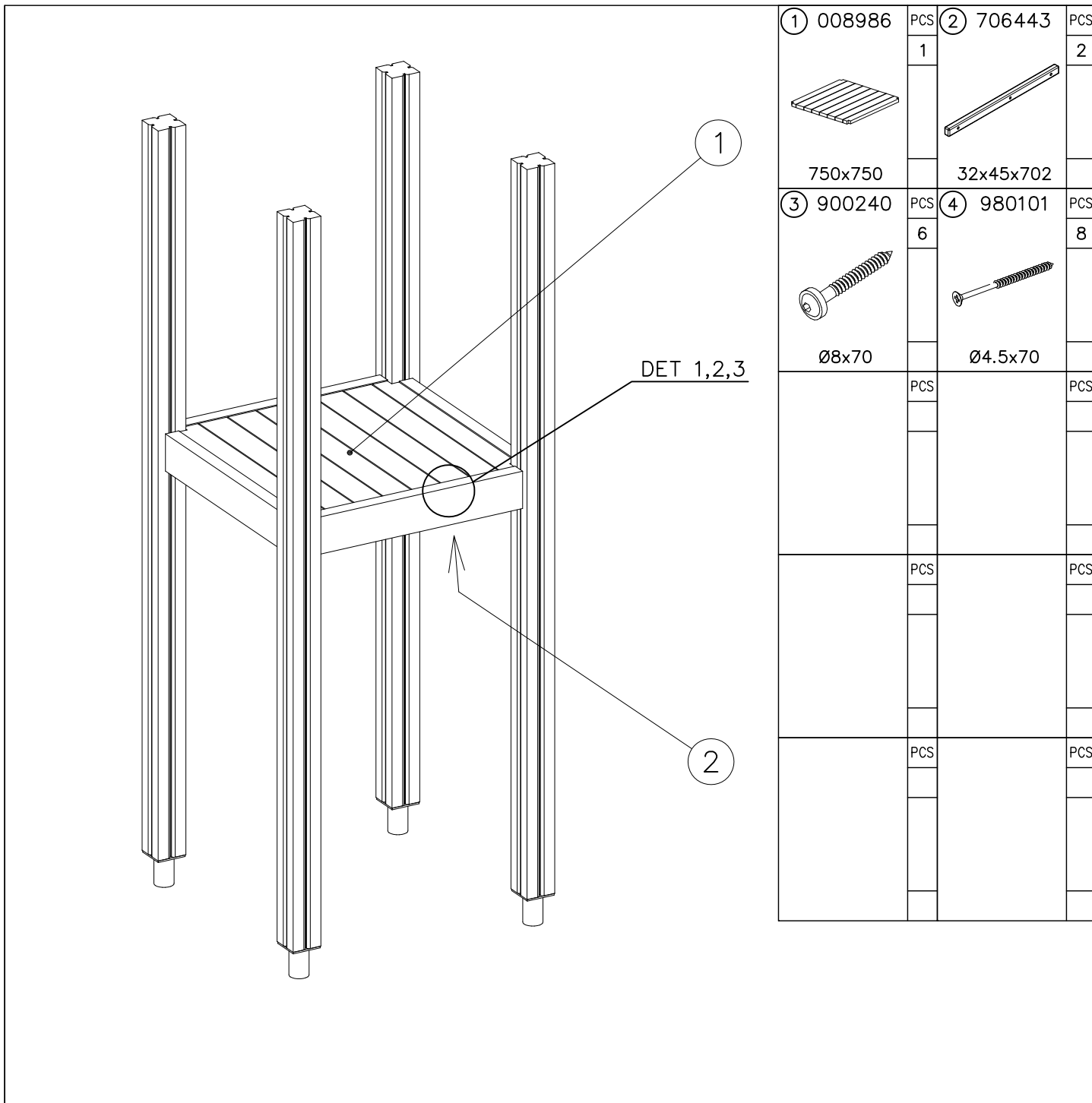




| | | | |
|---|-----|---|-----|
| ① 903176 | PCS | ② 909850 | PCS |
|  | 4 |  | 4 |
| | | M8x25 | |
| ③ 909256 | PCS | ④ 909633 | PCS |
|  | 8 |  | 4 |
| Ø16/8.4x1.6 | | M8 | |
| ⑤ 980123 | PCS | | PCS |
|  | 4 | | |
| Ø7x60 | | | |
| | PCS | | PCS |





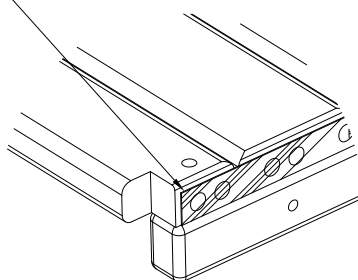


DET 1

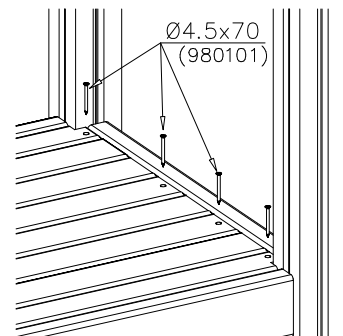


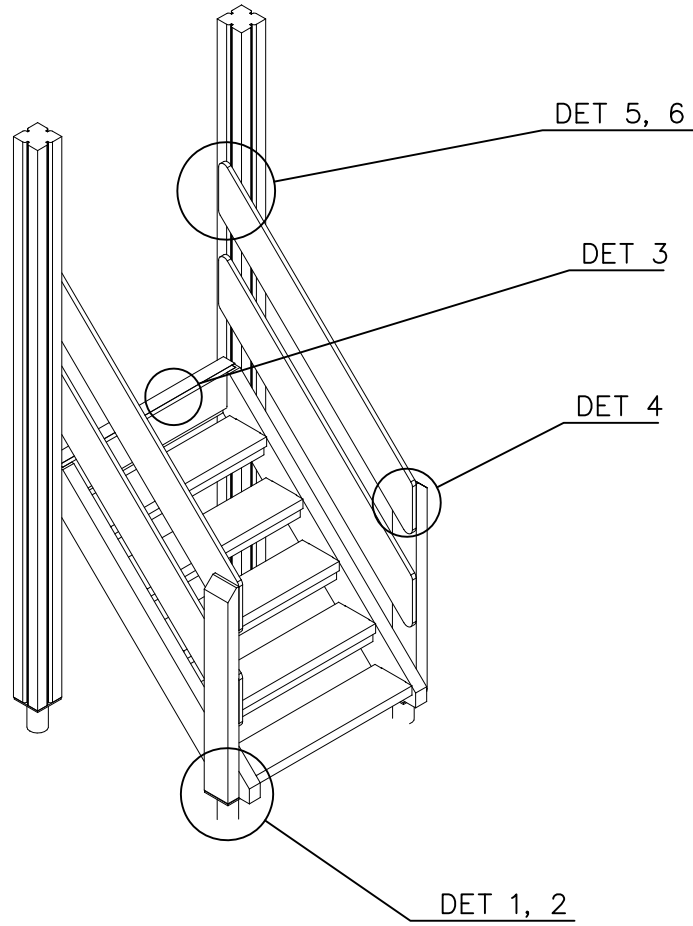
DET 2

Naulanauha kannatinlistan puolelle.
Nail list to the bottom.



DET 3





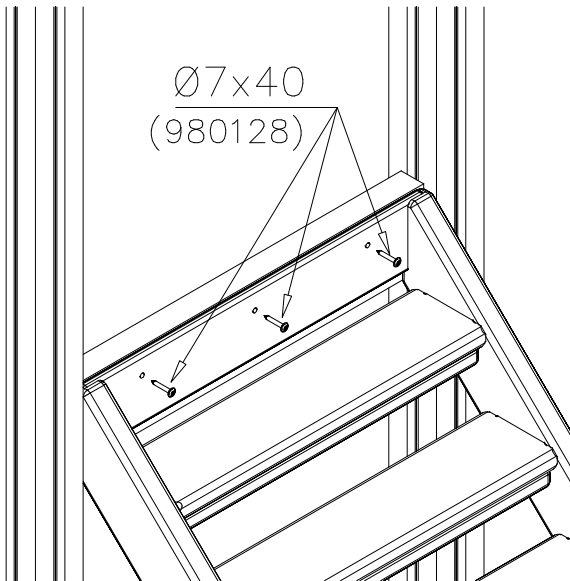
DET 1



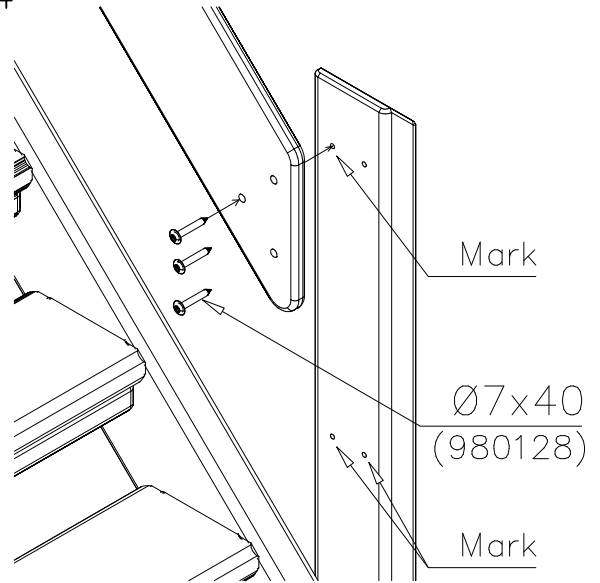
DET 2



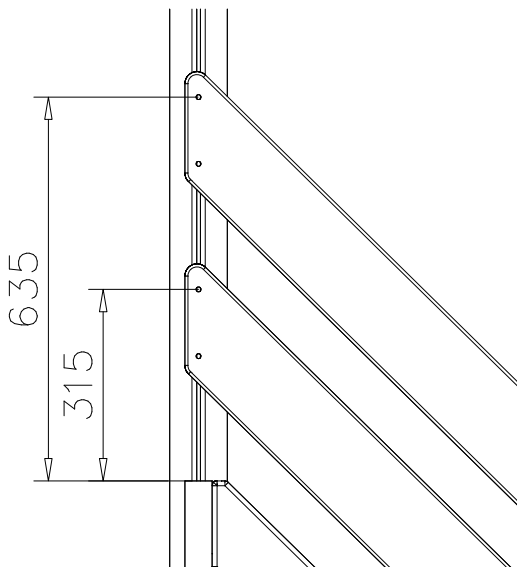
DET 3



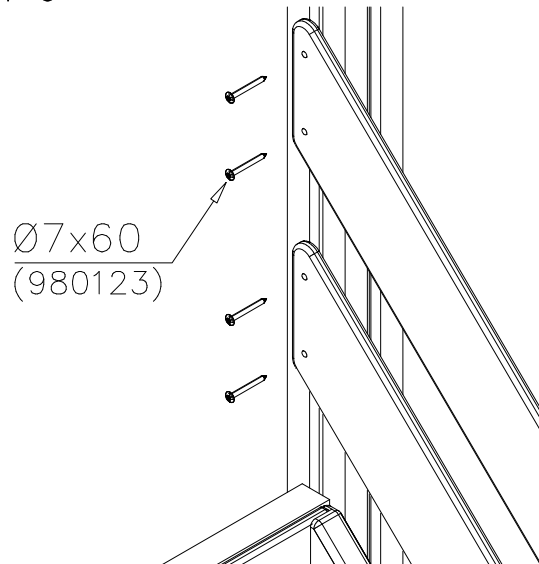
DET 4

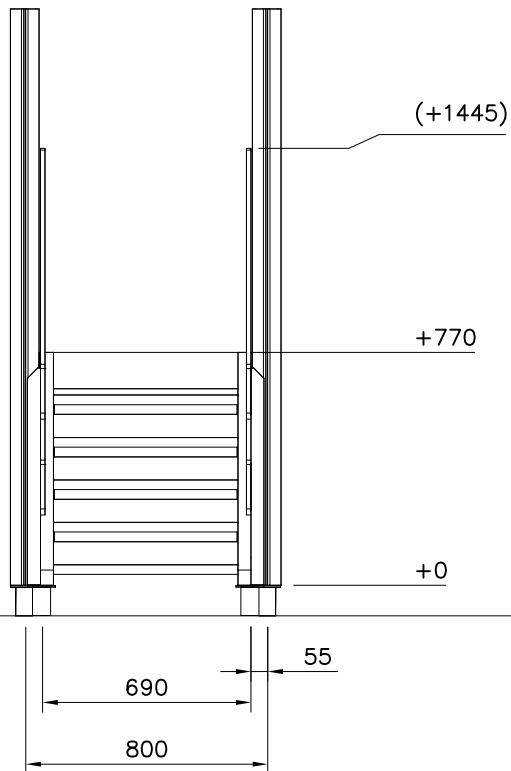


DET 5



DET 6





STAIRS OPTIONS +870

| | | |
|---|--|--|
| 707191  | 707191-602 DARK BROWN 707191-603 LIGHT BROWN 707191-604 LIGHT GRAY | |
|---|--|--|

RAILING OPTIONS




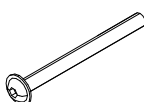
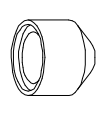
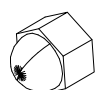
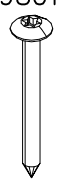


| | | |
|---|--|--------------------------------------|
| RAILS 707146  15x145x1153 | 707146-701 BLUE 707146-702 YELLOW 707146-703 LIME 707146-704 DARK GRAY 707146-705 LIGHT GRAY 707146-706 RED | 707146-707 GREEN 707146-708 FUXIA |
|---|--|--------------------------------------|

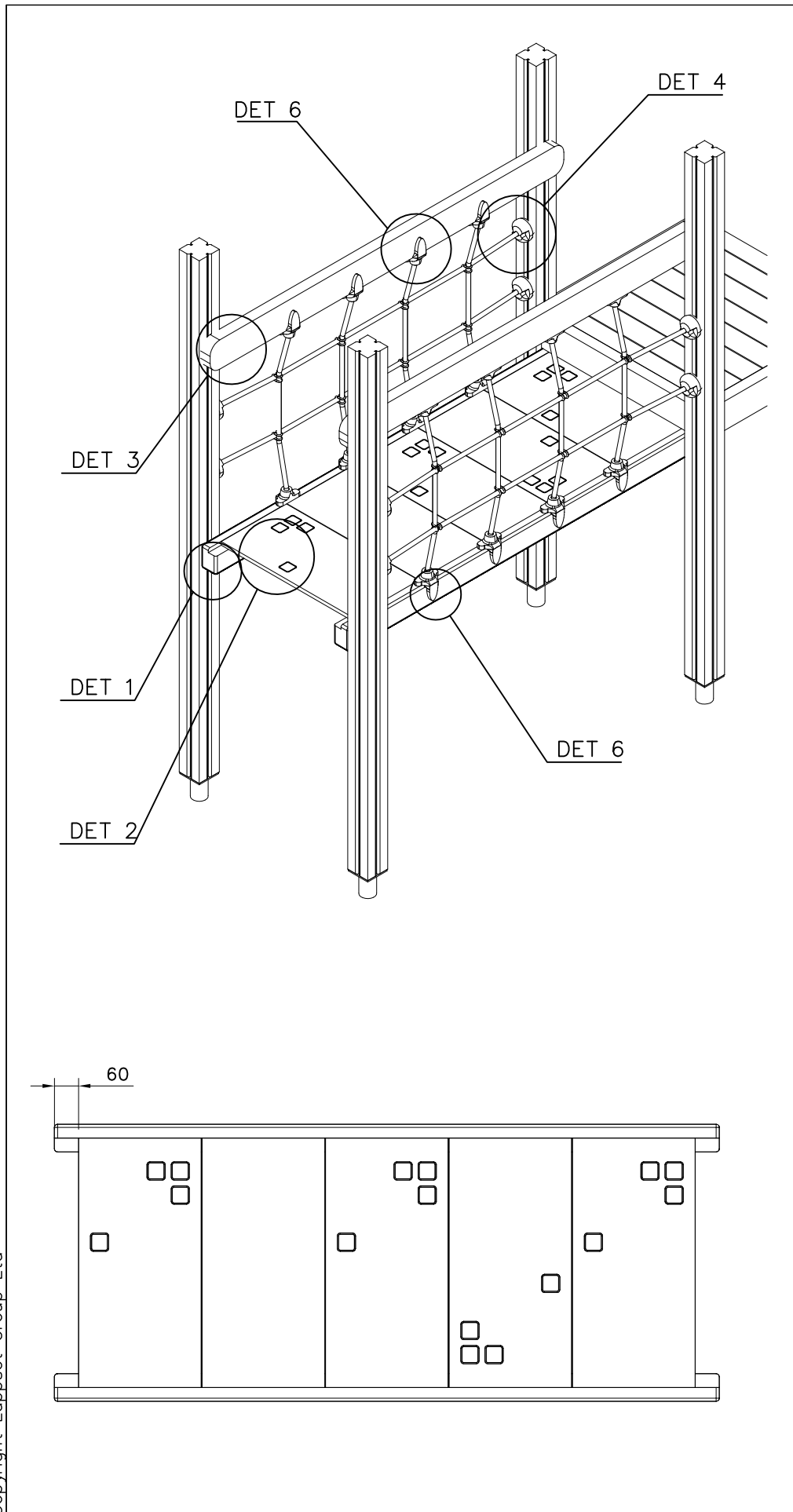
| | | |
|---|--|--|
| POST 707145  43x93x717 | 707145-602 DARK BROWN 707145-603 LIGHT BROWN 707145-604 LIGHT GRAY | |
|---|--|--|



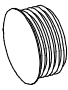







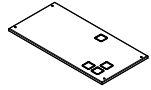
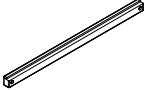
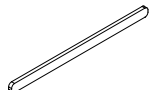
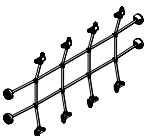
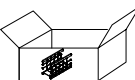
POST OPTIONS

| | | |
|--|--|--|
| | | |
|--|--|--|

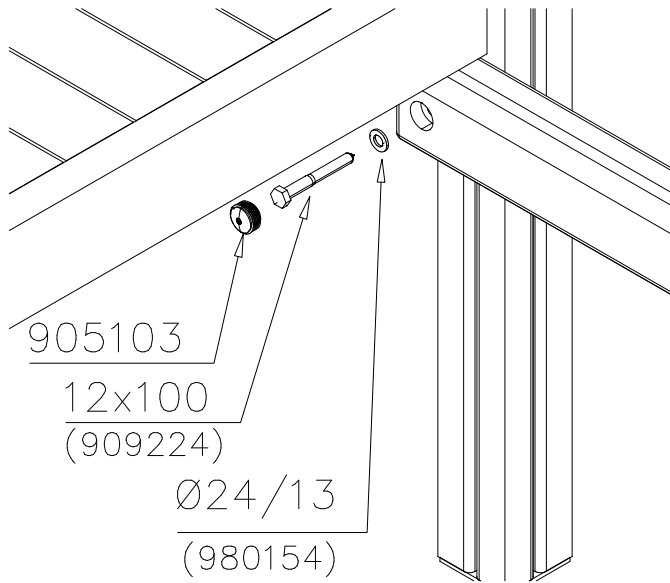
| | | |
|--|--|--|
| | | |
|--|--|--|

| | | | | | | | | | | | | | | | | | |
|---|--------|-----|---|--------|-----|---|--------|-----|--|--------|-----|---|--------|-----|---|--------|-----|
| ① | 707191 | PCS | ② | 707145 | PCS | ③ | 707146 | PCS | ④ | 900859 | PCS | ⑤ | 905104 | PCS | ⑥ | 909633 | PCS |
|  | | 1 |  | | 2 |  | | 4 |  | | 2 |  | | 4 |  | | 2 |
| +870 | | | 43x93x717 | | | 15x145x1153 | | | M8x90 | | | M10 | | | M8 | | |
| ⑦ | 980123 | PCS | ⑧ | 980128 | PCS | ⑨ | 980152 | PCS | | | PCS | | | PCS | | | PCS |
|  | | 8 |  | | 15 |  | | 2 | | | | | | | | | |
| Ø7x60 | | | Ø7x40 | | | Ø24/8.4x2 | | | | | | | | | | | |

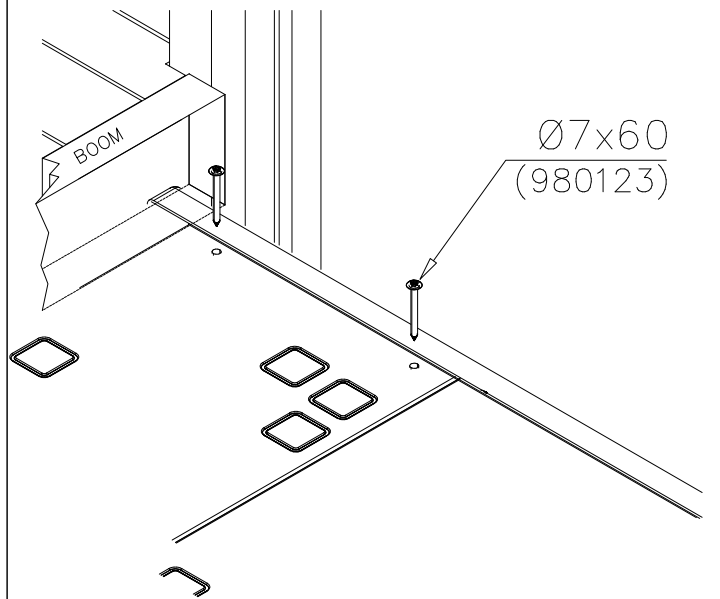


| | | | | | |
|---|---|-----|---|---|-----|
| ① | 980154 | PCS | ② | 909224 | PCS |
| |  | 4 | |  | 4 |
| | Ø24/13 | | | 12x100 | |
| ③ | 905103 | PCS | ④ | 980123 | PCS |
| |  | 4 | |  | 32 |
| | PT-28/32-H | | | Ø7x60 | |
| ⑤ | 980128 | PCS | ④ | 900240 | PCS |
| |  | 36 | |  | 16 |
| | Ø7x40 | | | Ø8x70 | |
| ⑤ | 909232 | PCS | ⑥ | 905112 | PCS |
| |  | 4 | |  | 4 |
| | 8x120 | | | Ø22 | |
| ⑦ | 905083 | PCS | ⑧ | 980151 | PCS |
| |  | 4 | |  | 4 |
| | Ø32 | | | Ø16/8.4 | |
| ○ | 707398 | PCS | ○ | 707399 | PCS |
| |  | 5 | |  | 2 |
| | 15x630x310 | | | 70x95x1680 | |
| ○ | 707401 | PCS | ○ | 707402 | PCS |
| |  | 2 | |  | 2 |
| | 45x120x1680 | | | 1505x720 | |
| ○ | 707405 | PCS | | | PCS |
| |  | 1 | | | |

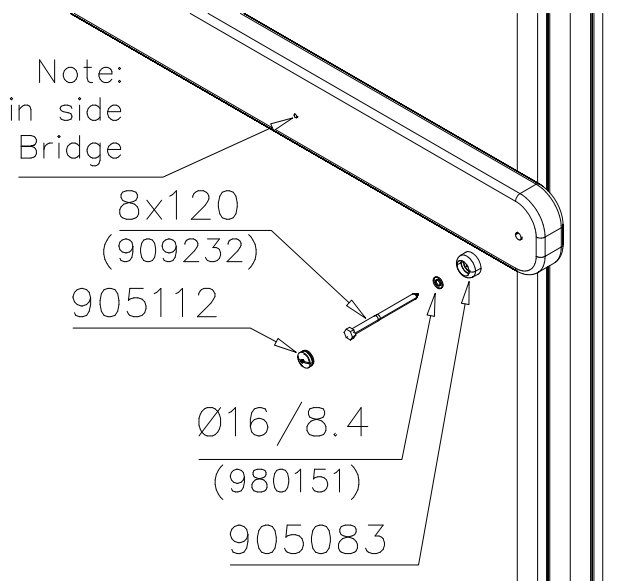
DET 1



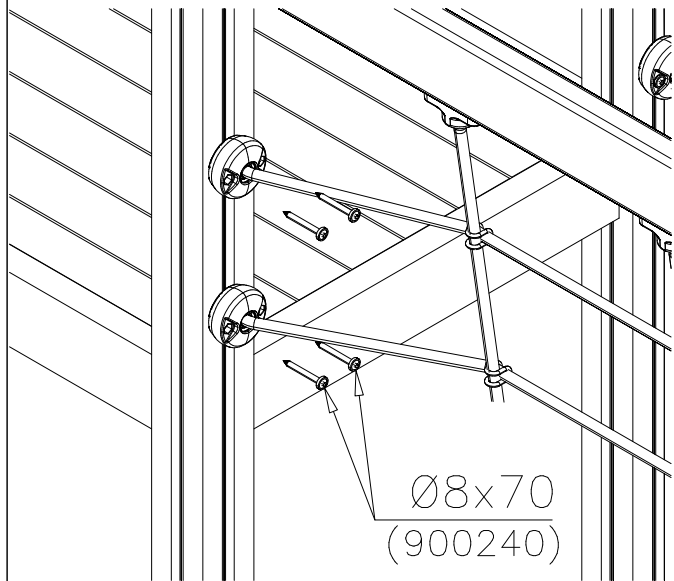
DET 2



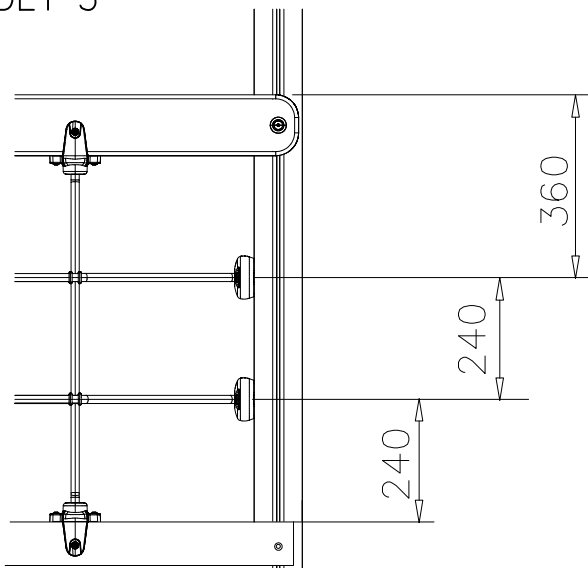
DET 3



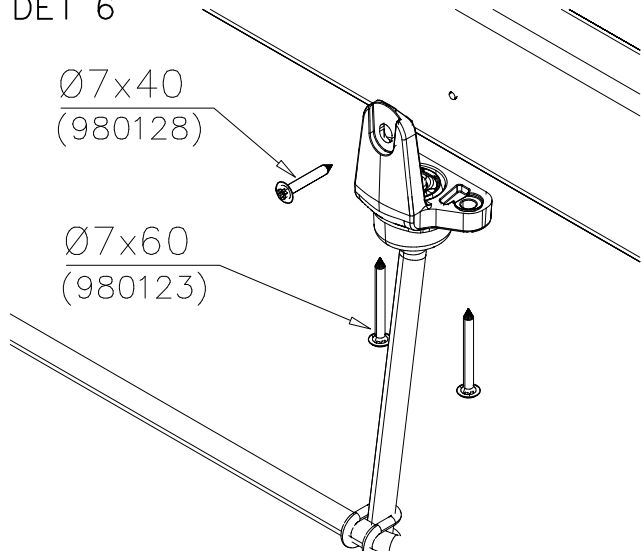
DET 4

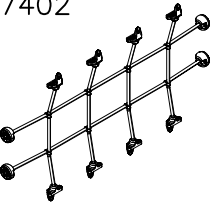
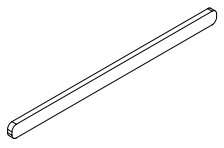
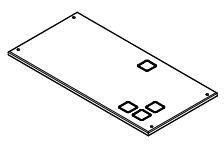
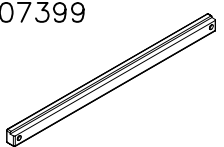


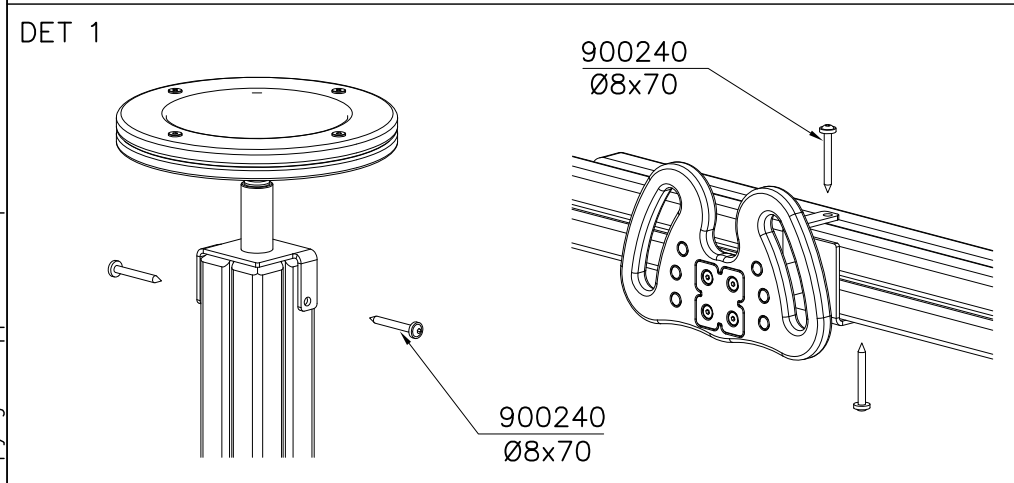
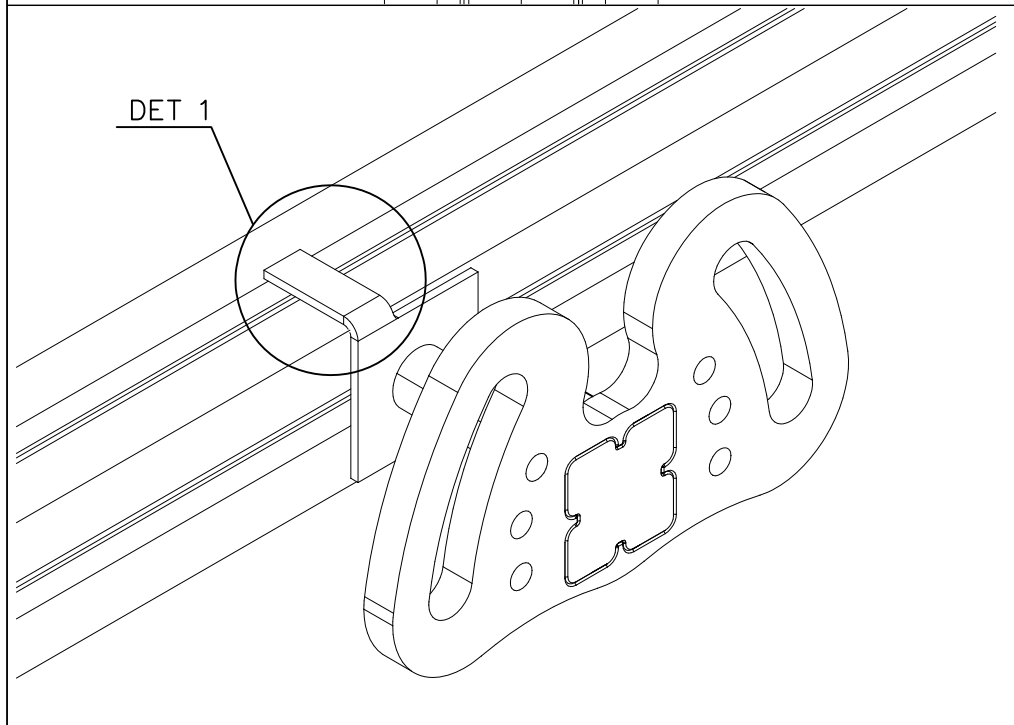
DET 5

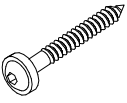

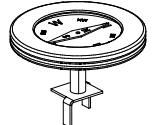
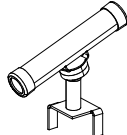
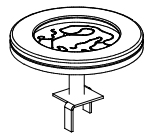


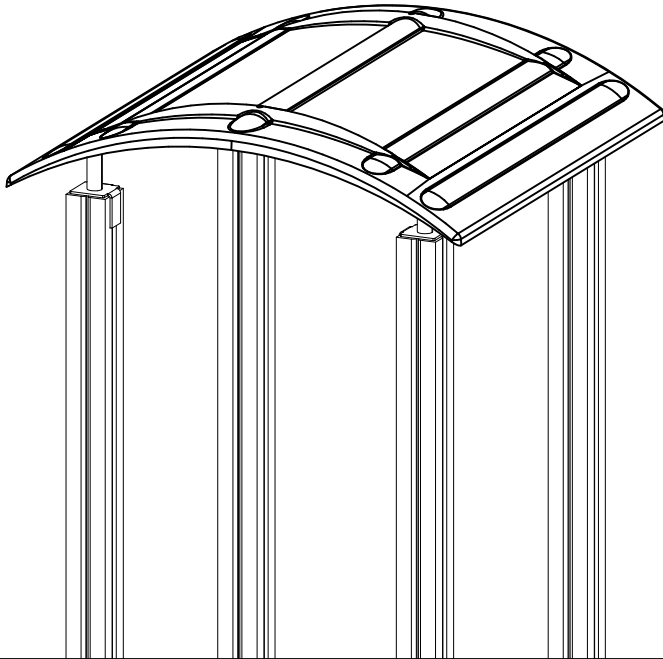
DET 6

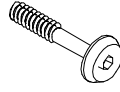



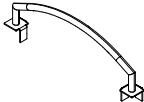



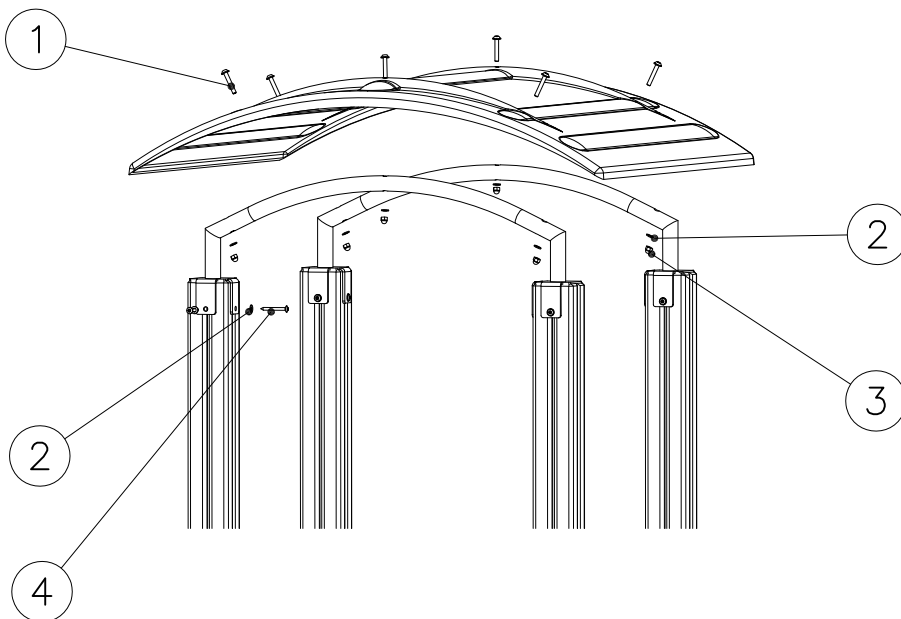
| | | | | |
|---|---|-------------|------------|------------|
| NET OPTIONS | | | | |
| <p>707402</p>  <p>1505x720</p> | 707402-301 | BLUE | | |
| | 707402-302 | RED | | |
| | 707402-303 | BEIGE | | |
| | 707402-304 | GRAY | | |
| | 707402-305 | BLACK | | |
| | RAILING OPTIONS | | | |
| <p>707401</p>  <p>45x120x1680</p> | 707401-602 | DARK BROWN | | |
| | 707401-603 | LIGHT BROWN | | |
| | 707401-604 | LIGHT GRAY | | |
| | 707401-605 | DARK GRAY | 707401-608 | BLUE |
| | 707401-606 | GRAY | 707401-609 | GREEN |
| | 707401-607 | RED | 707401-610 | YELLOW |
| | | | 707401-611 | LIME |
| | | | 707401-612 | FUXIA |
| | PLATE OPTIONS | | | |
| | <p>707398</p>  <p>15x630x310</p> | 707272-701 | BLUE | 707272-707 |
| 707272-702 | | YELLOW | 707272-708 | FUXIA |
| 707272-703 | | LIME | | |
| 707272-704 | | DARK GRAY | | |
| 707272-705 | | GRAY | | |
| 707272-706 | | RED | | |
| BOOM OPTIONS | | | | |
| <p>707399</p>  <p>70x95x1680</p> | 707271-602 | DARK BROWN | | |
| | 707271-603 | LIGHT BROWN | | |
| | 707271-604 | LIGHT GRAY | | |



| | | | |
|---|-----|---|-----|
| ① 900240 | PCS | | PCS |
|  | 2 | | |
| Ø8x70 | | | |
| | PCS | | PCS |
| | | | |
| | PCS | | PCS |
| | | | |
| ○ 707302 | PCS | ○ 707303 | PCS |
|  | 1 |  | 1 |
| | | | |
| ○ 707304 | PCS | ○ 707305 | PCS |
|  | 1 |  | 1 |
| | | | |
| | PCS | | PCS |
| | | | |
| | PCS | | PCS |
| | | | |



| | | | | | |
|---|---|-----|---|---|-----|
| ① | 909868 | PCS | ② | 909256 | PCS |
| | | 6 | | | 14 |
| |  | | |  | |
| | M8x50 | | | Ø16/8.4 | |
| ③ | 909633 | PCS | ④ | 980123 | PCS |
| | | 6 | | | 8 |
| |  | | |  | |
| | M8 | | | Ø7x60 | |
| | | PCS | | | PCS |
| | | | | | |
| | | PCS | | | PCS |
| | | | | | |
| ○ | 908330 | PCS | ○ | 908251 | PCS |
| | | 2 | | | 1 |
| |  | | |  | |
| | | | | 1100x1100x215 | |
| | | PCS | | | PCS |
| | | | | | |
| | | PCS | | | PCS |
| | | | | | |
| | | PCS | | | PCS |
| | | | | | |

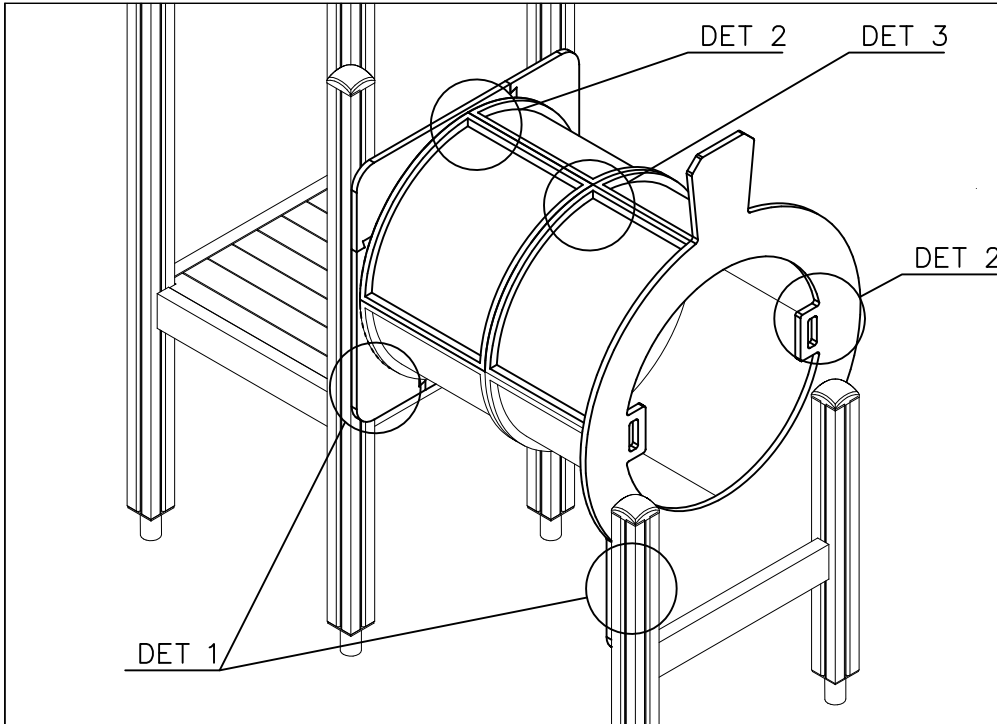


LAPPSET® FASTENER KIT

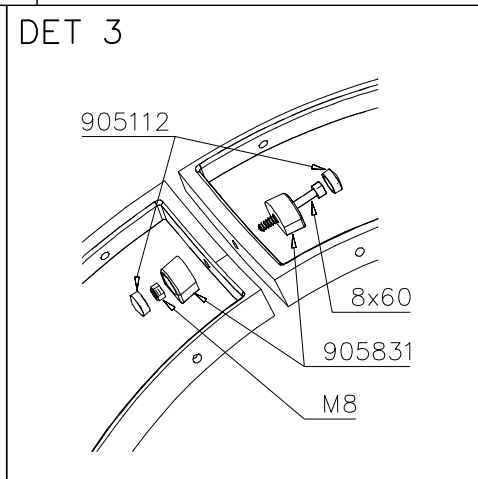
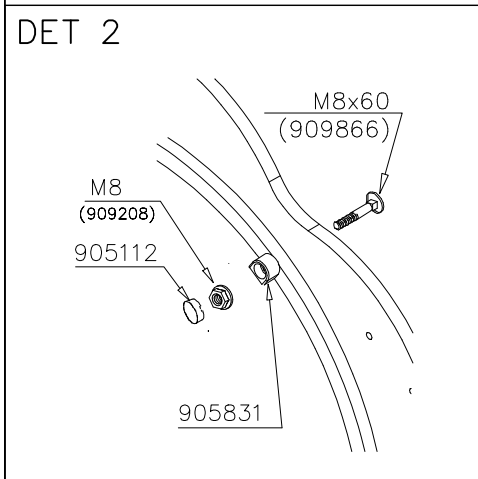
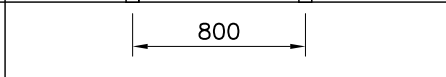
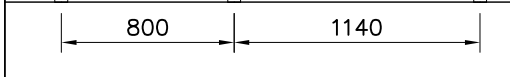
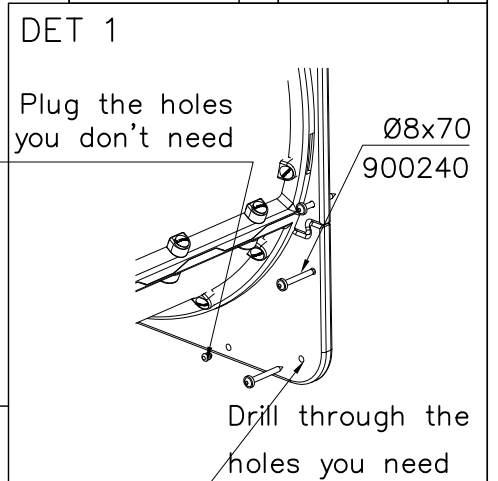
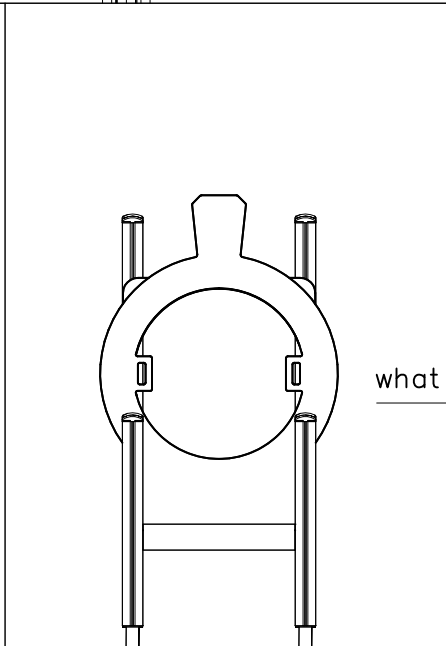
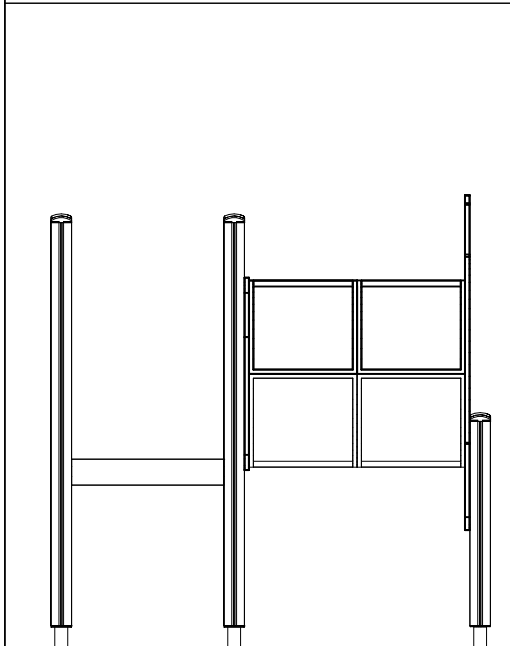
707649

DATE: 9.6.2016

1(1)



| | | | |
|----------|------------|----------|------------|
| ① 900240 | PCS 17 | ② 905112 | PCS 112 |
| | | | |
| Ø8x70 | | Ø22 | |
| ③ 905831 | PCS 112 | ④ 909205 | PCS 40 |
| | | | |
| Ø32x19 | | M8x60 | |
| ⑤ 909208 | PCS 32 | ⑥ 909866 | PCS 32 |
| | | | |
| M8 | | M8x60 | |
| ⑦ 903533 | PCS 6 | ⑧ 980150 | PCS 40 |
| | | | |
| SRL12 | | M8 | |



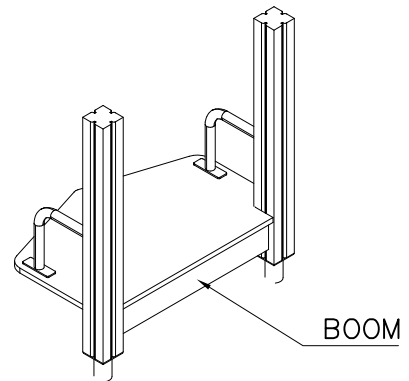
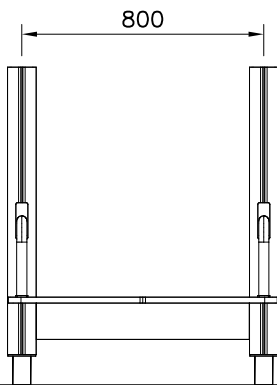
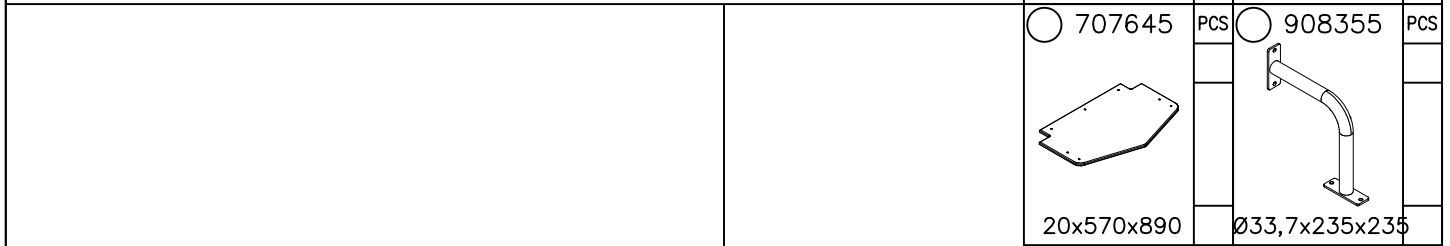
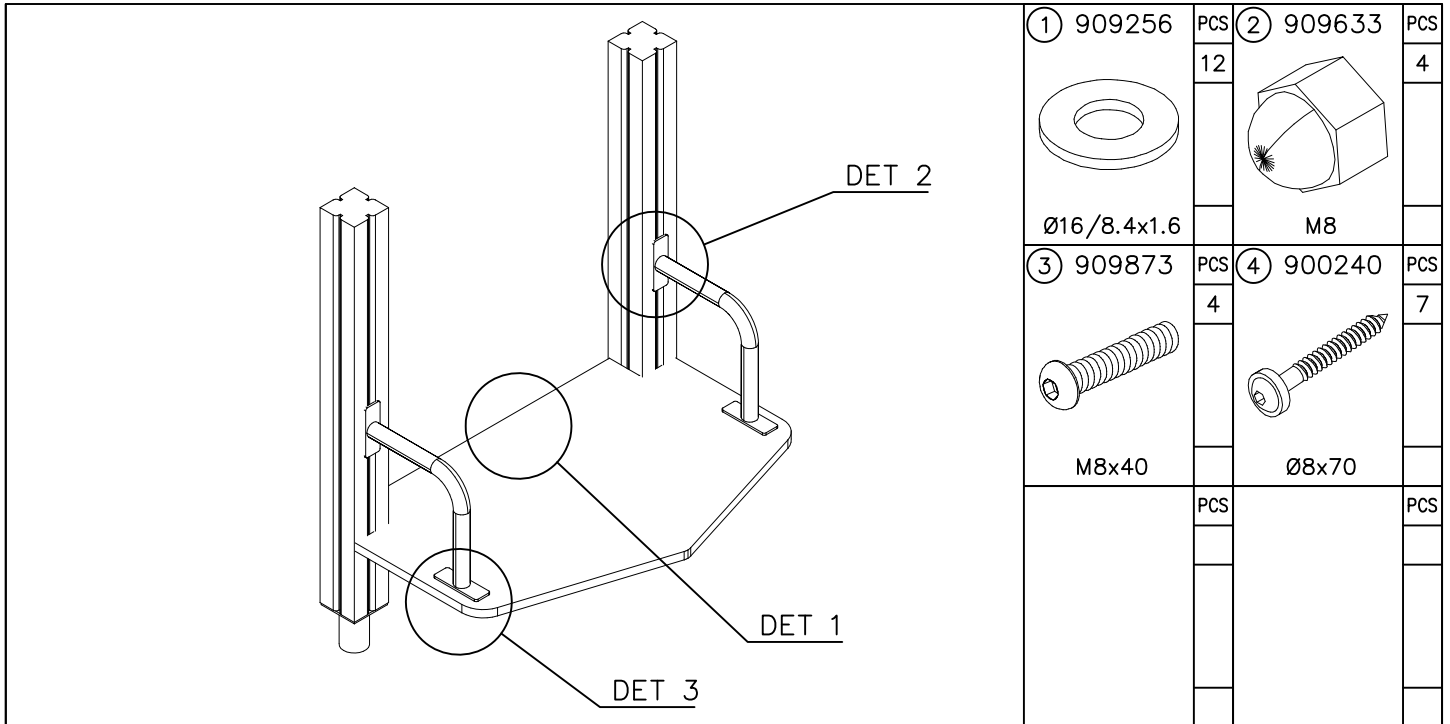
| | | | |
|------------|----------|--------------|----------|
| ○ 707918 | PCS 4 | ○ 707599 | PCS 1 |
| | | | |
| 20x275x640 | | 21x1100x1550 | |
| ○ 905821 | PCS 4 | ○ 905829 | PCS 4 |
| | | | |
| GRAY | | STRAIGHT CLE | |

LAPPSET® FASTENER KIT

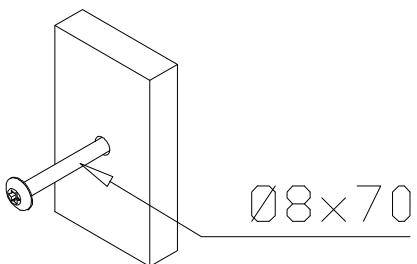
707650

DATE: 28.4.2016

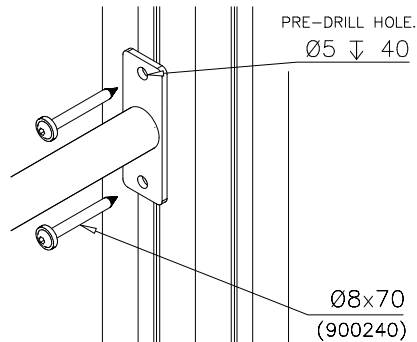
1(1)



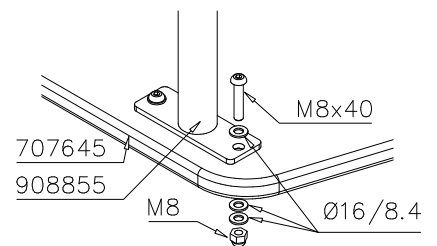
DET 1



DET 2



DET 3





Tuotekyltti tulee tuotteen mukana yhdellä seuraavista tavoista:

1) Metallinen tuotekyltti ja kiinnitysruuvit

- Kiinnitä tuotekyltti ruuveilla tolppaan noin 2 metrin korkeuteen kuvan 1 mukaisesti.

2) Tuotekylttitarra

- Puhdista maalattu metalli- tai vaneripinta pölystä ja kosteudesta. Liimaa tarra kuvan 2 mukaisesti.
- Huom. Älä kiinnitä tarraa karheapintaiseen laminaattiin tai maalattuun puuhun.

Vår produktmärkning levereras på ett av följande sätt:

1) Produktskylt i metall

- Fäst skylten med de medföljande skruvarna

2) Självhäftande produktetikett

- Rengör den pulverlackerade metallytan eller laminatyten så att den blir fri från smuts och fukt. Fäst etiketten enligt fig. 2.
- Obs! Fäst ej etiketten på detaljer med skrovlig yta eller på målat trä.

Product label is delivered by one of following ways:

1) Metal product label and screws

- Fasten the label with screws.

2) Label sticker

- Clean the painted metal or plywood surface from dirt and moisture. Fasten the sticker as shown in the figure 2.
- Note. Do not attach the sticker to rough surfaced laminate or painted wood.

La plaque d'informations produit est livrée sous l'une de ces 3 formes :

1) Plaque métallique et vis

- Fixez la plaque à l'aide des vis.

2) Etiquette autocollante

- Avant de coller l'étiquette, nettoyez le composant métallique peint ou la plaque de contreplaqué, de toute saleté. La surface doit être sèche (voir image 2).
- Attention, ne pas coller l'étiquette sur une surface lamellé-collée irrégulière ou sur du bois peint.

Die Auslieferung des Produktaufklebers erfolgt auf eine dieser Arten:

1) Produkt-Schild aus Metall incl. Schrauben

- Die Befestigung des Schildes erfolgt mittels der Schrauben.

2) Aufkleber

- Entfernen Sie zunächst Schmutz und Feuchtigkeit vom lackierten Metall bzw. von der Holzoberfläche und bringen Sie den Aufkleber wie im Bild oben rechts beschrieben auf den gesäuberten Untergrund auf.
- Beachten Sie: Bringen Sie den Aufkleber nicht auf raues laminiertes oder lackiertes Holz an.