

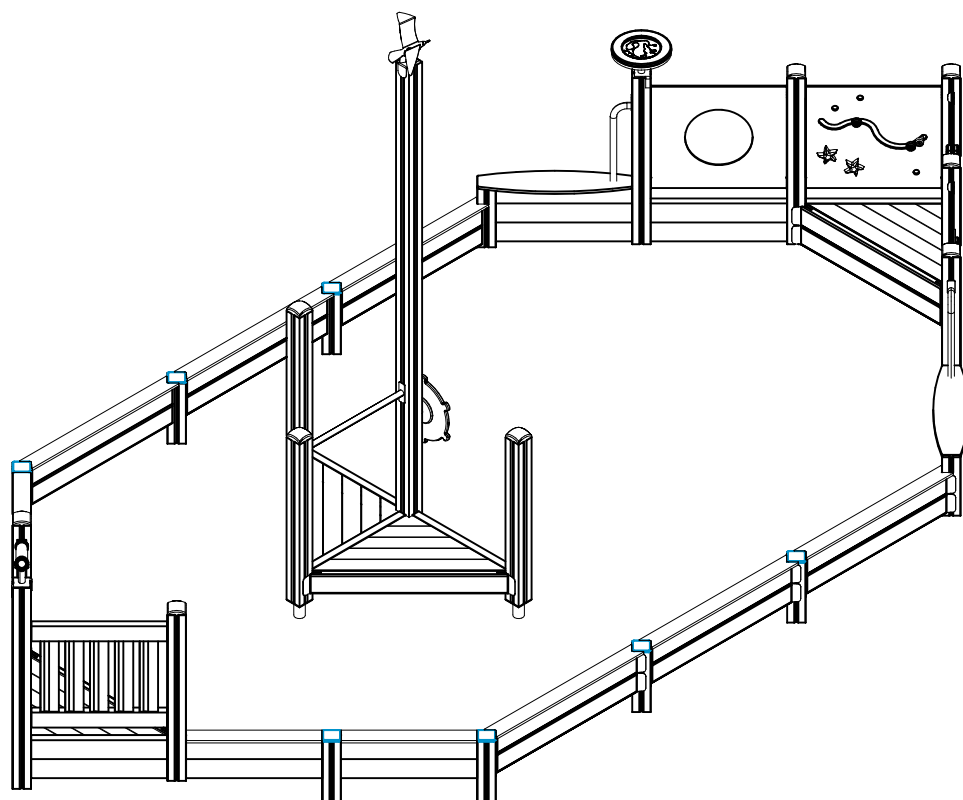
LAPPSET®

FINNO

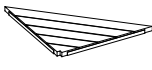

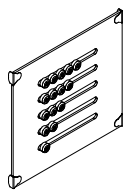
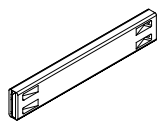

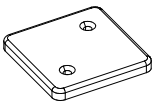
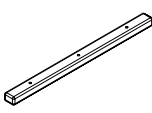
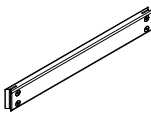


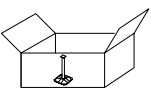
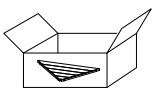
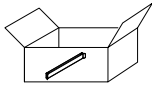


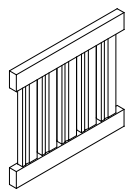
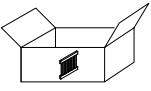
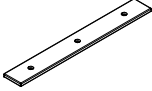
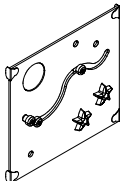
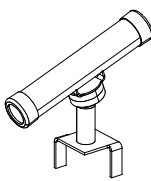
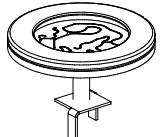
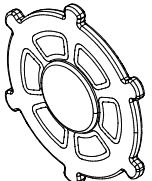
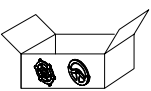
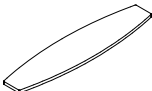
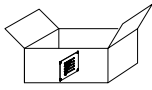
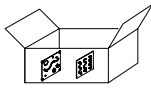
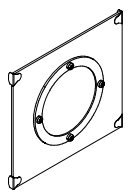
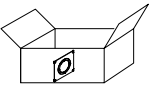
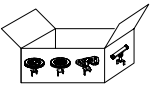
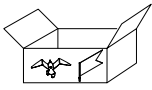
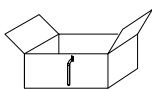
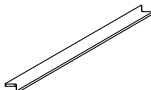
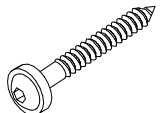
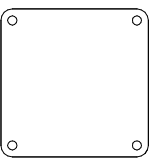
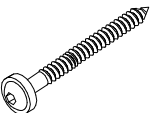
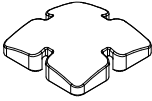
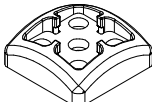
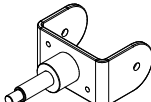
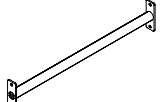
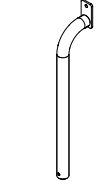

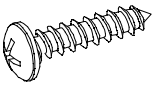
ASENNUSOHJE
MONTERINGSANSVISNING
INSTALLATION INSTRUCTION
AUFBAUANLEITUNG
NOTICE D'INSTALLATION


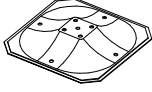
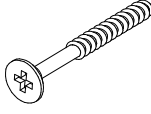
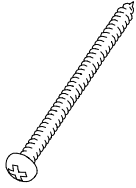
DATE: 24.5.2016

137850

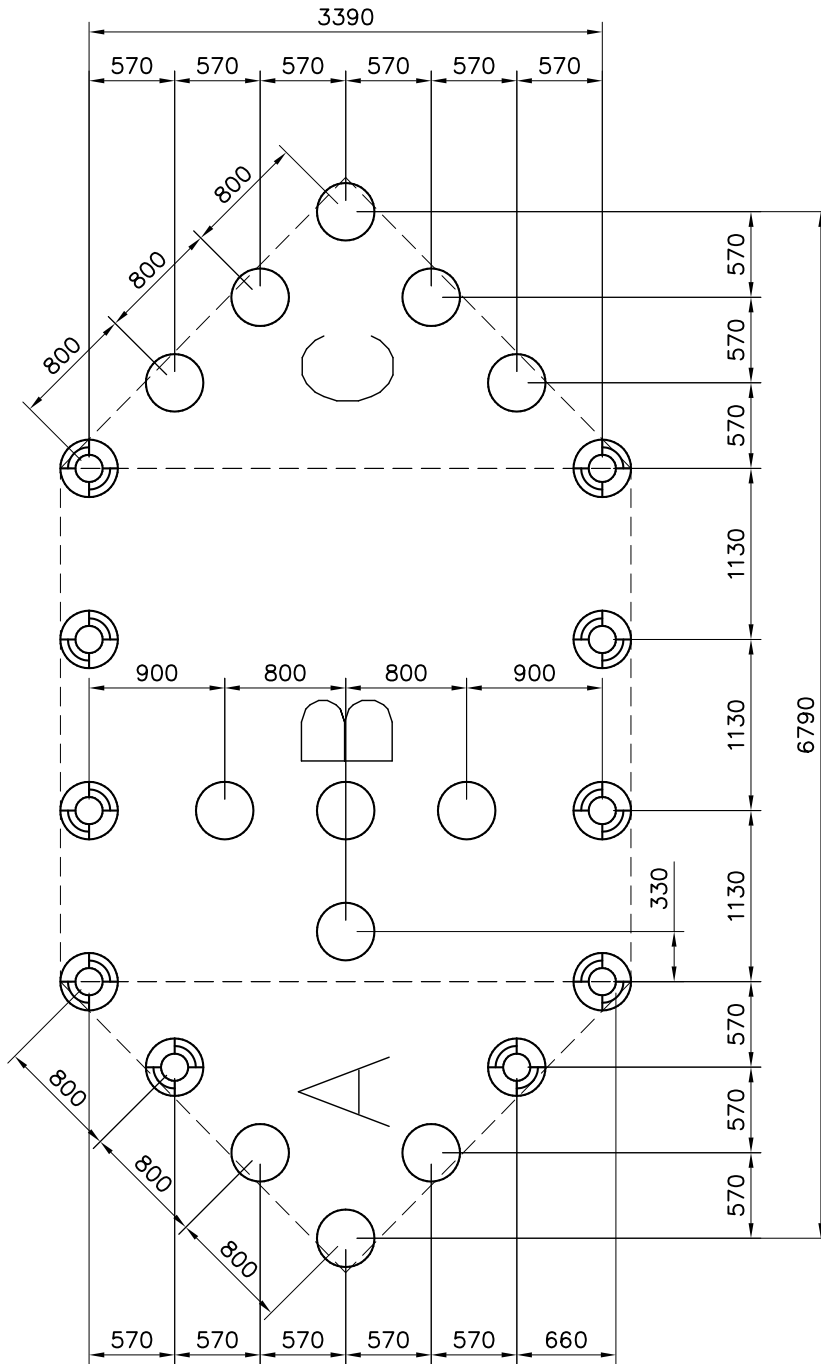


DATE: 24.5.2016

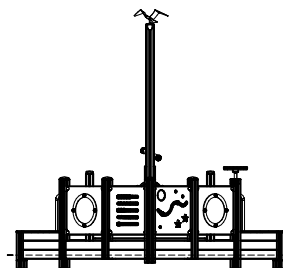
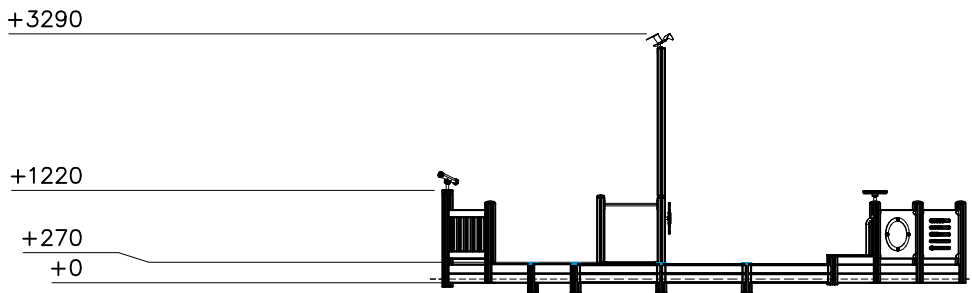
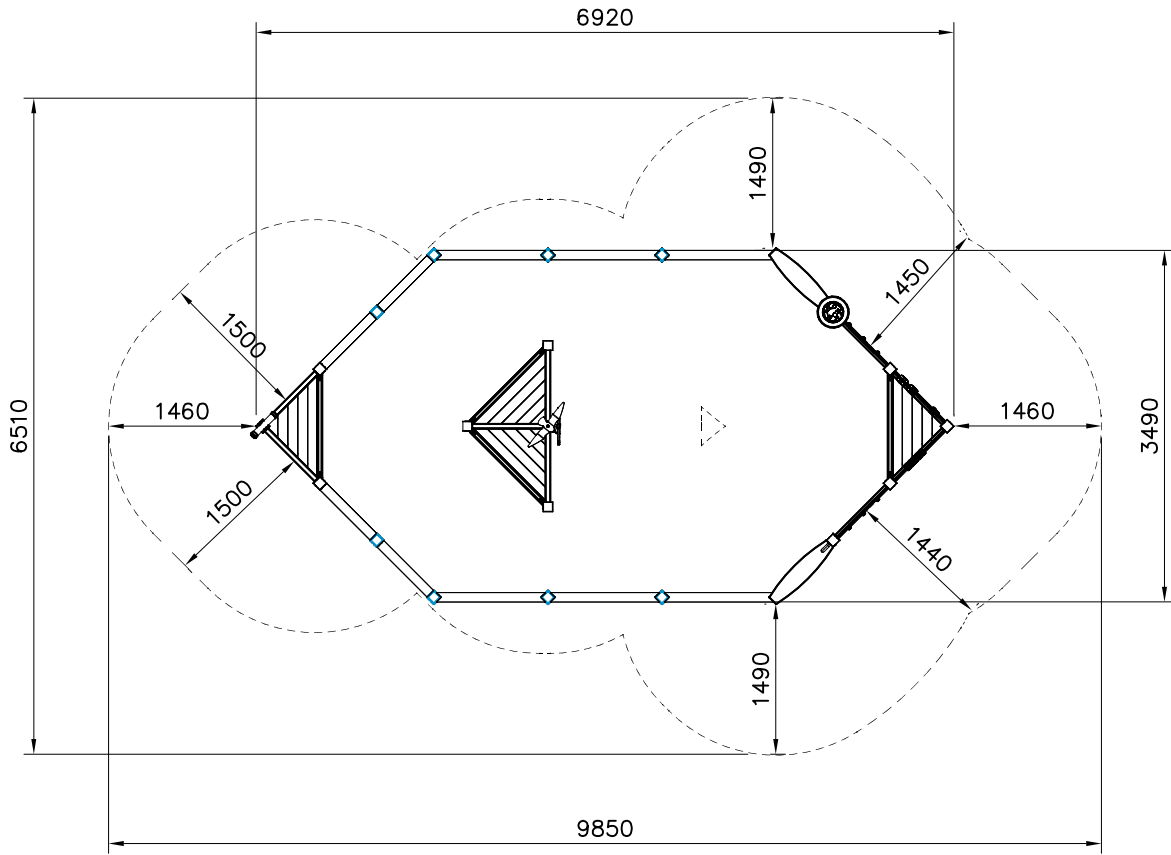
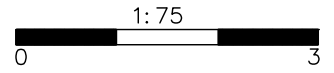
| | | | | | | | | | | | |
|---|-----------|---|-----------|---|-----------|---|-----------|---|------------|---|----------|
| 008985 | PCS 4 | 702286 | PCS 1 | 706308-701 | PCS 1 | 706439-603 | PCS 29 | 706466-603 | PCS 3 | 706481-701 | PCS 8 |
|  | |  | |  | |  | |  | |  | |
| 32x714x714 | | 90x50 | | 10x640x702 | | L 704 | | 93x93x1025 | | 83x83x10 | |
| 706508 | PCS 12 | 706510-603 | PCS 18 | 706511-603 | PCS 1 | 706527-603 | PCS 7 | 706531 | PCS 4 | 706537 | PCS 4 |
|  | |  | |  | |  | |  | |  | |
| 32x45x650 | | 45x120x1030 | | 93x93x1870 | | 93x93x1600 | | | | | |
| 706538 | PCS 18 | 706568-603 | PCS 1 | 706577-603 | PCS 10 | 706746-608 | PCS 2 | 706748 | PCS 2 | 706892 | PCS 4 |
|  | |  | |  | |  | |  | |  | |
| | | 93x93x3000 | | 93x93x600 | | 45x640x701 | | | | L 700 | |
| 707209-701 | PCS 1 | 707304 | PCS 1 | 707305-703 | PCS 1 | 707320-702 | PCS 1 | 707333 | PCS 1 | 707356-701 | PCS 2 |
|  | |  | |  | |  | |  | |  | |
| 10x640x702 | | | | | | | | | | 800x186x15 | |
| 707446 | PCS 1 | 707450 | PCS 1 | 707453-701 | PCS 2 | 707454 | PCS 2 | 707585 | PCS 2 | 707693 | PCS 1 |
|  | |  | |  | |  | |  | |  | |
| | | | | 10x640x702 | | | | | | | |
| 707732 | PCS 2 | 707848 | PCS 6 | 900240 | PCS 50 | 902487 | PCS 1 | 903093 | PCS 116 | 905138 | PCS 9 |
|  | |  | |  | |  | |  | |  | |
| | | 15x93x1082 | | Ø8x70 | | 65x65 | | Ø8x90 | | GRAY | |
| 905196 | PCS 9 | 905879 | PCS 1 | 907694-216 | PCS 1 | 907701-216 | PCS 2 | 908357-206 | PCS 1 | 909506 | PCS 4 |
|  | |  | |  | |  | |  | |  | |
| GRAY | | | | L 704 | | | | | | Ø3.5x13 | |

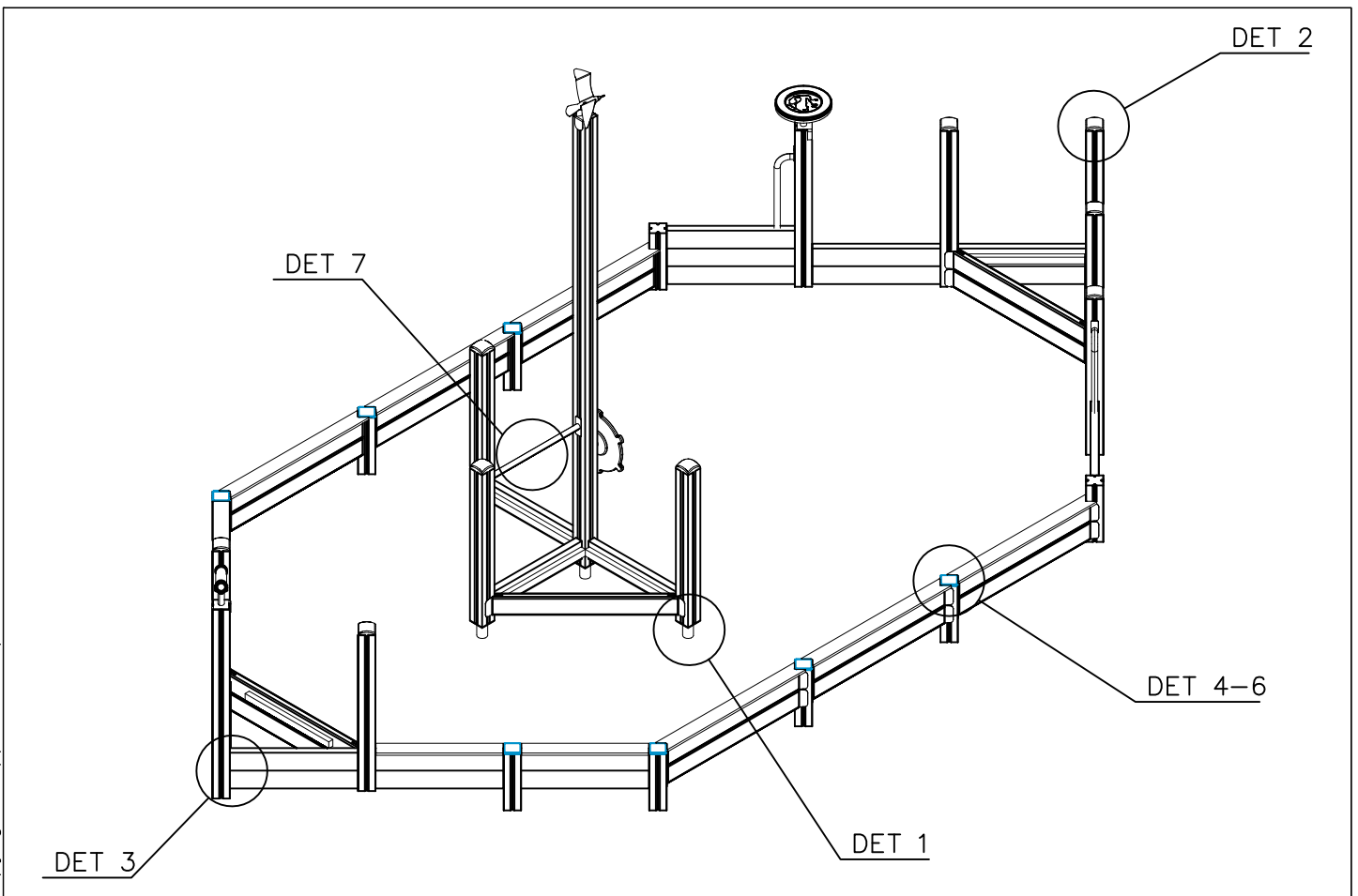
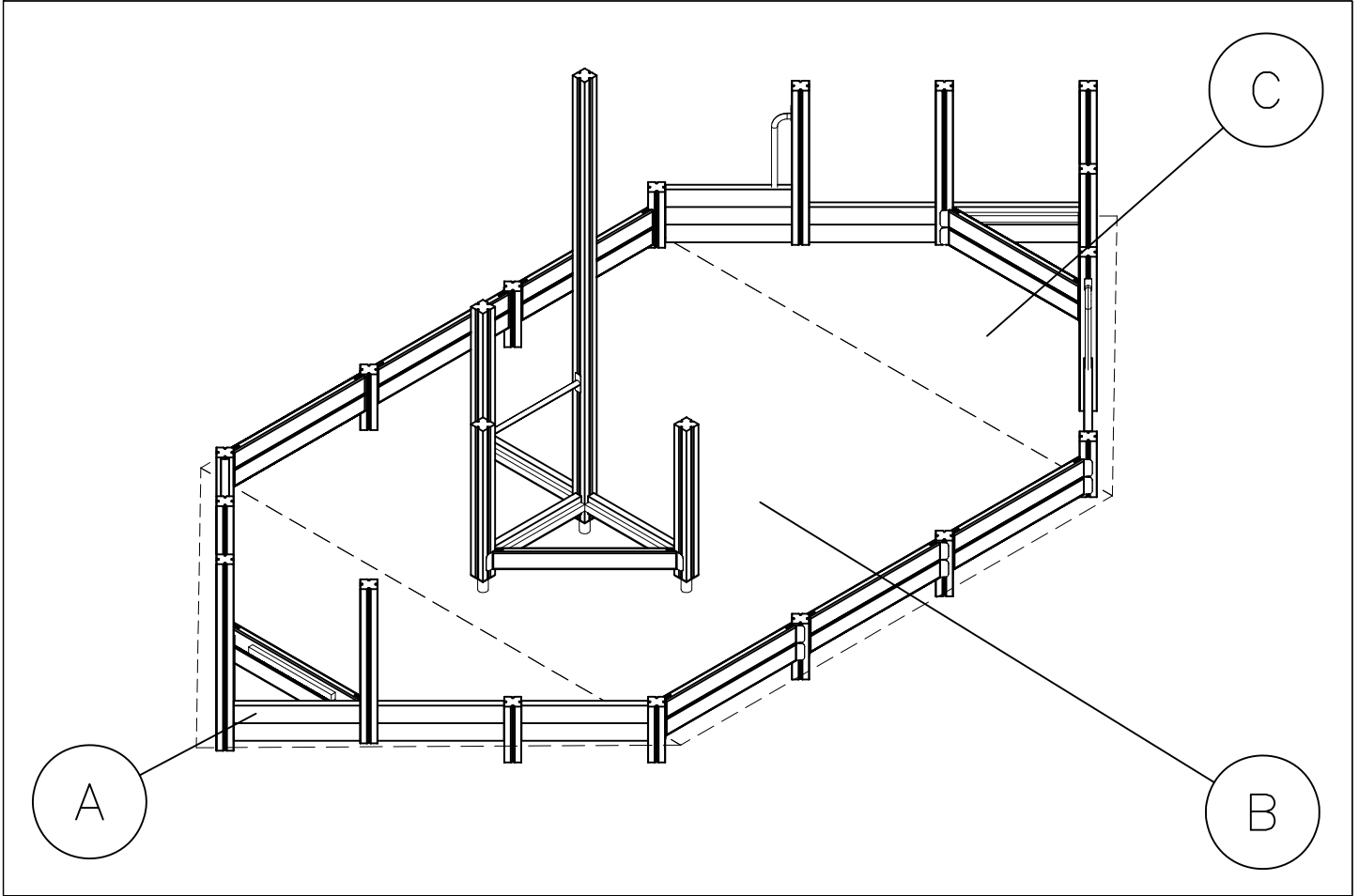
| | | | | | | | | | | | |
|--|----------|---|-----------|--|-----------|--|-----------|--|-----|--|-----|
| 909511  90x90x650 | PCS 4 | 909519  | PCS 12 | 980107  Ø6x60 | PCS 16 | 980131  Ø6x60 | PCS 36 | | PCS | | PCS |
| | PCS | | PCS | | PCS | | PCS | | PCS | | PCS |
| | PCS | | PCS | | PCS | | PCS | | PCS | | PCS |
| | PCS | | PCS | | PCS | | PCS | | PCS | | PCS |
| | PCS | | PCS | | PCS | | PCS | | PCS | | PCS |
| | PCS | | PCS | | PCS | | PCS | | PCS | | PCS |
| | PCS | | PCS | | PCS | | PCS | | PCS | | PCS |

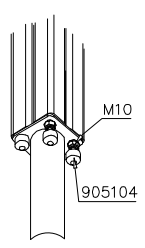
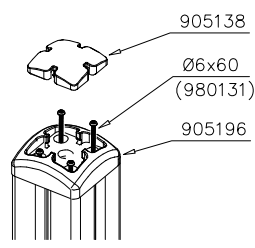
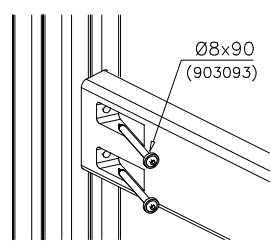
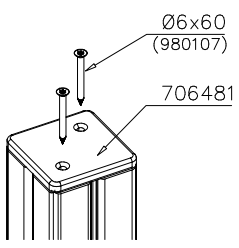
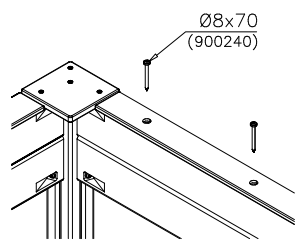
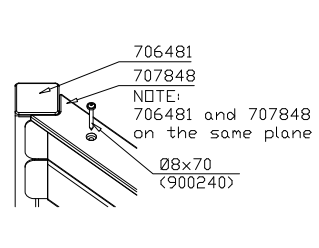
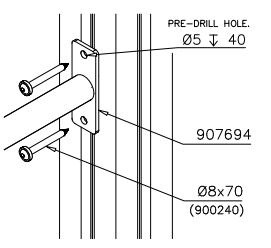
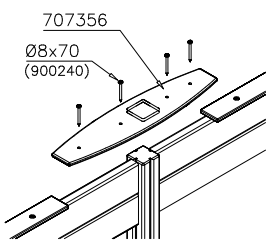
----- Falling Space 41.6 m²
Max Falling Height 270 mm

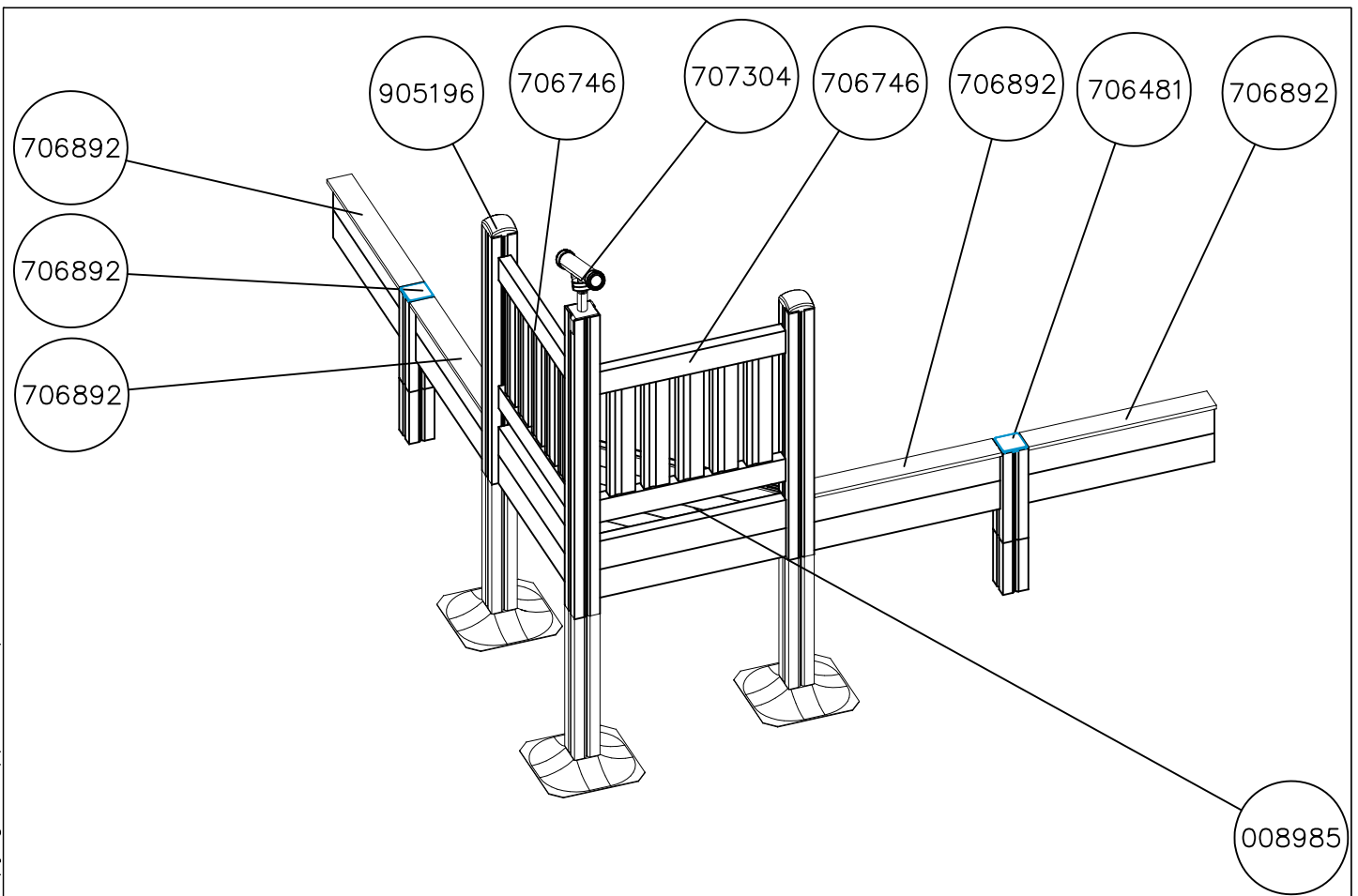
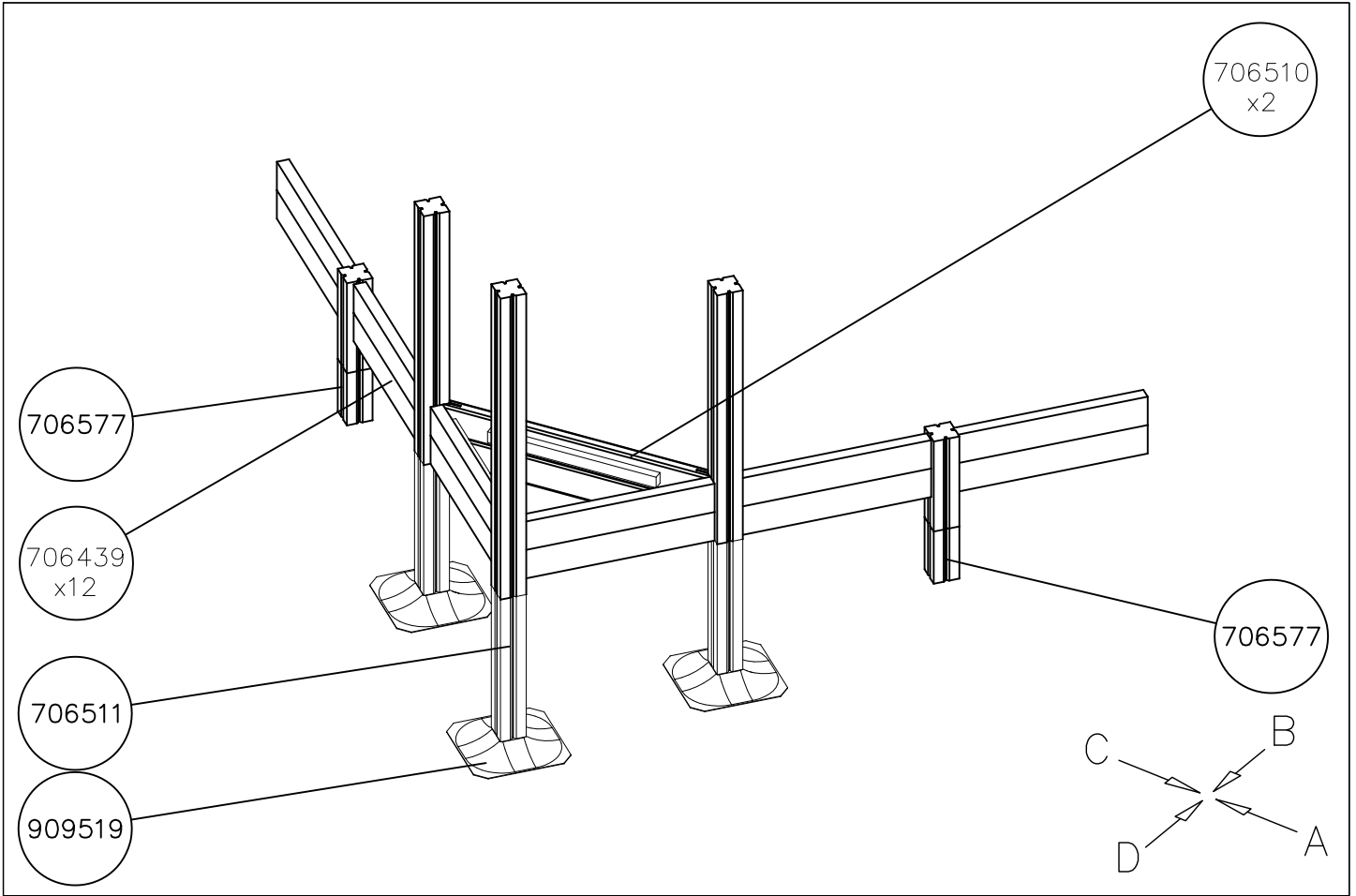


----- Falling Space 41.6 m2
Max Falling Height 270 mm





| | | | |
|--|--|--|---|
| <p>DET 1</p>  <p>M10 905104</p> | <p>DET 2</p>  <p>905138 Ø6x60 (980131) 905196</p> | <p>DET 3</p>  <p>Ø8x90 (903093)</p> | <p>DET 4</p>  <p>Ø6x60 (980107) 706481</p> |
| <p>DET 5</p>  <p>Ø8x70 (900240)</p> | <p>DET 6</p>  <p>706481 707848 NOTE: 706481 and 707848 on the same plane Ø8x70 (900240)</p> | <p>DET 7</p>  <p>PRE-DRILL HOLE. Ø5 ± 40 907694 Ø8x70 (900240)</p> | <p>DET 8</p>  <p>707356 Ø8x70 (900240)</p> |
| | | | |
| | | | |
| | | | |

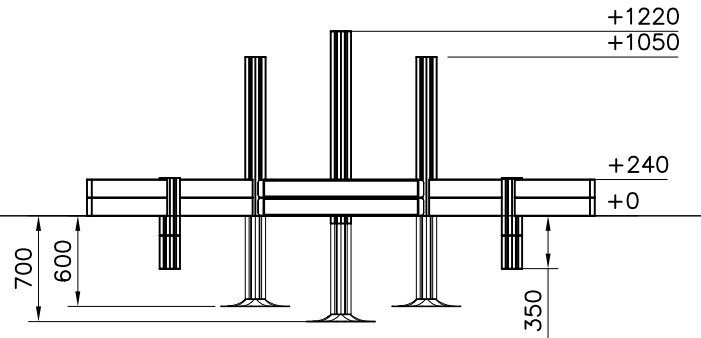
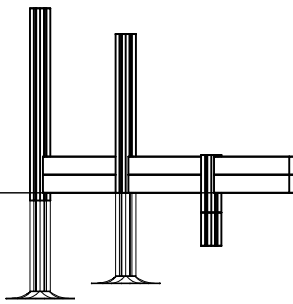


DATE: 24.5.2016

1:50

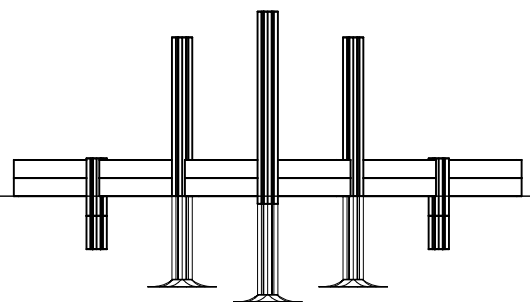
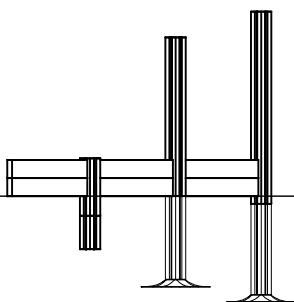
A

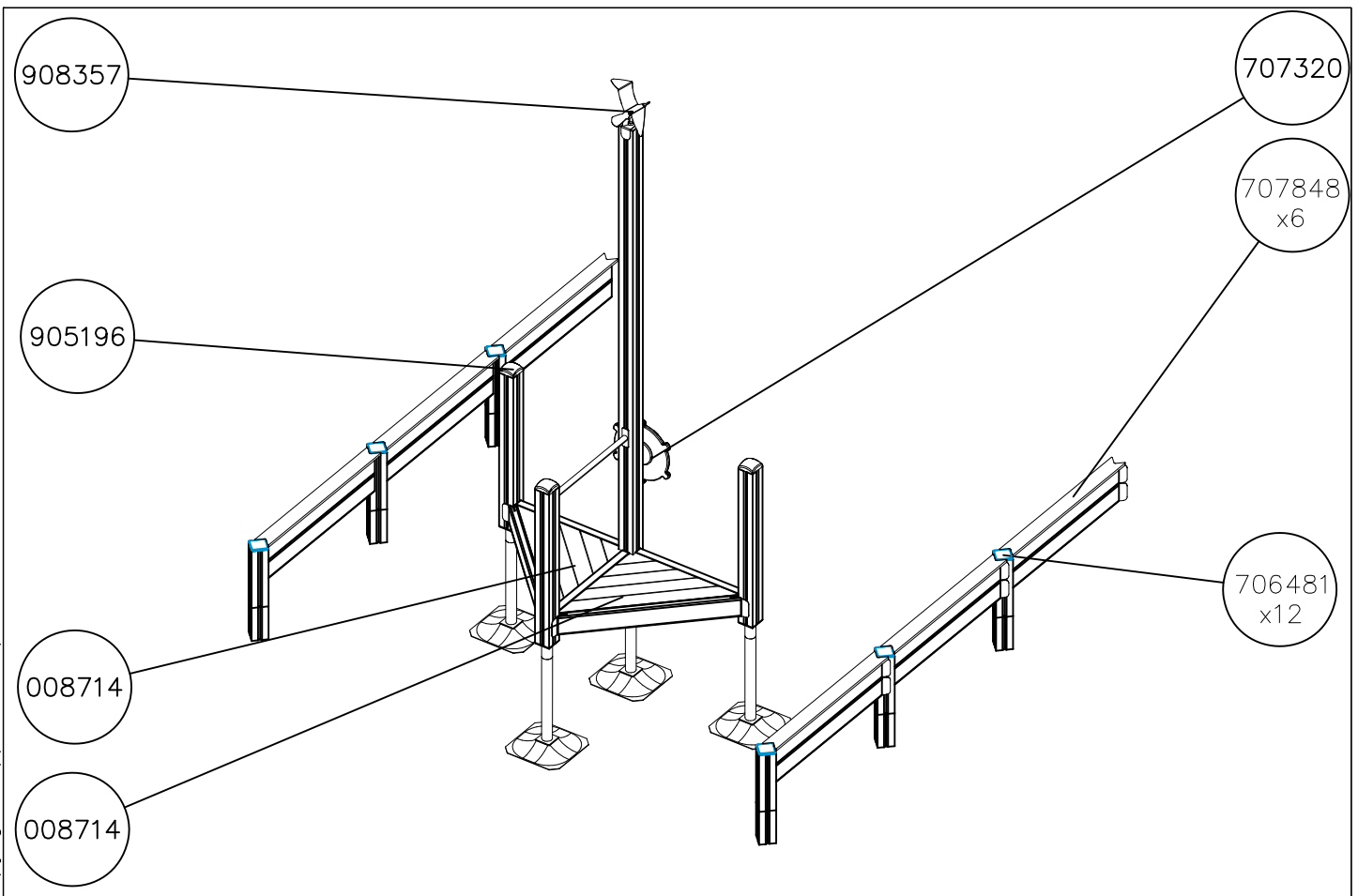
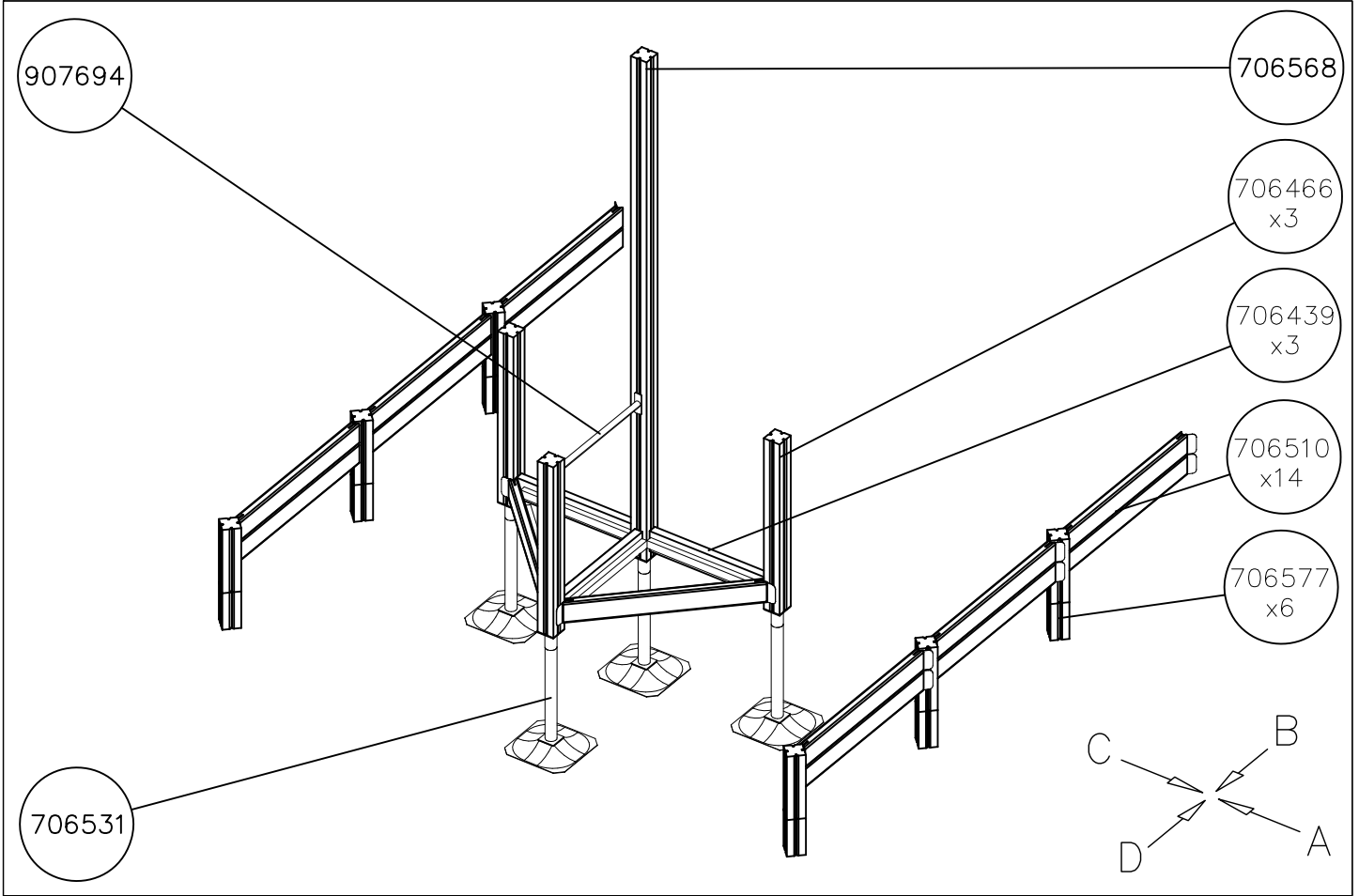
B



C

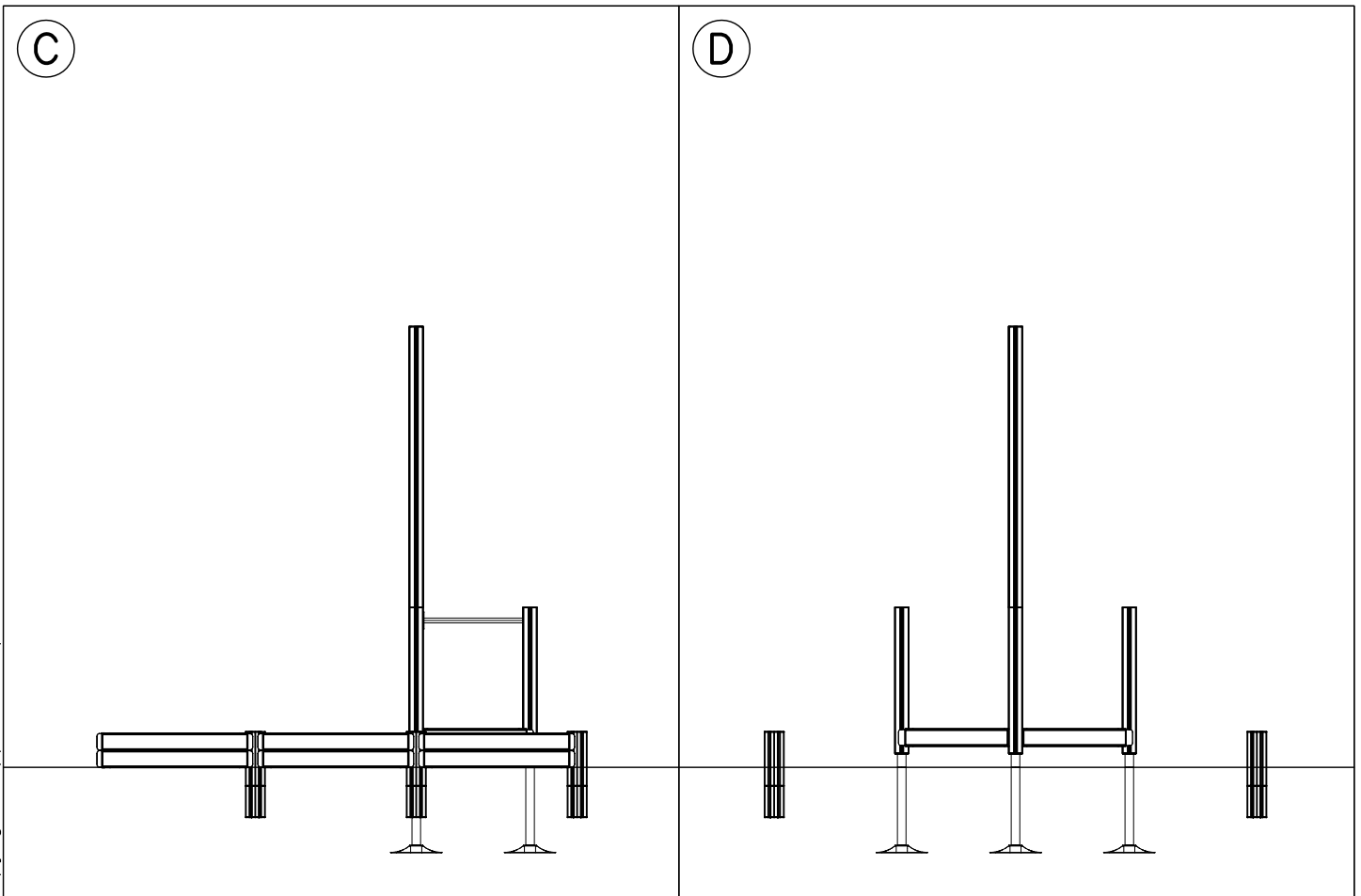
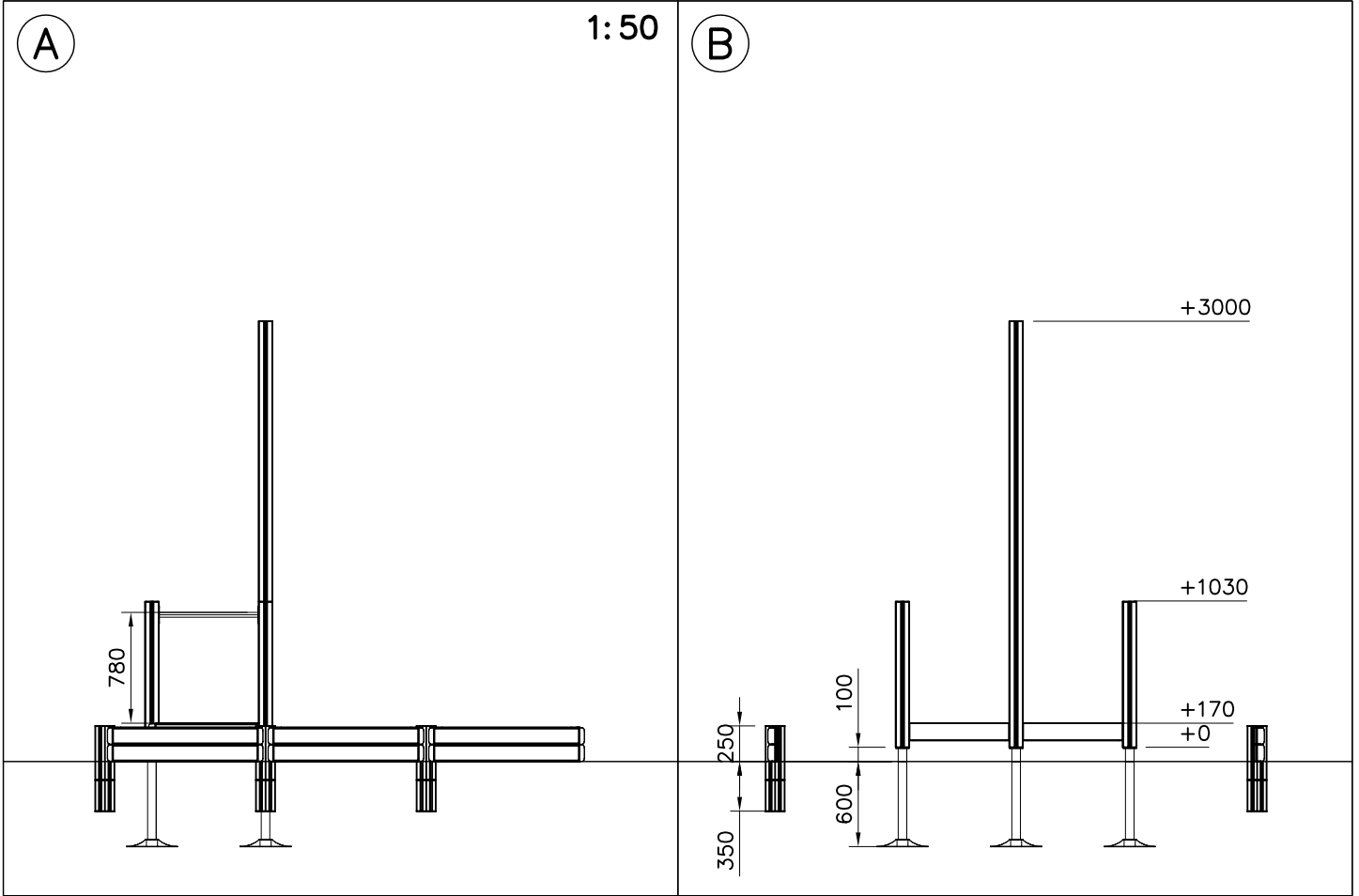
D

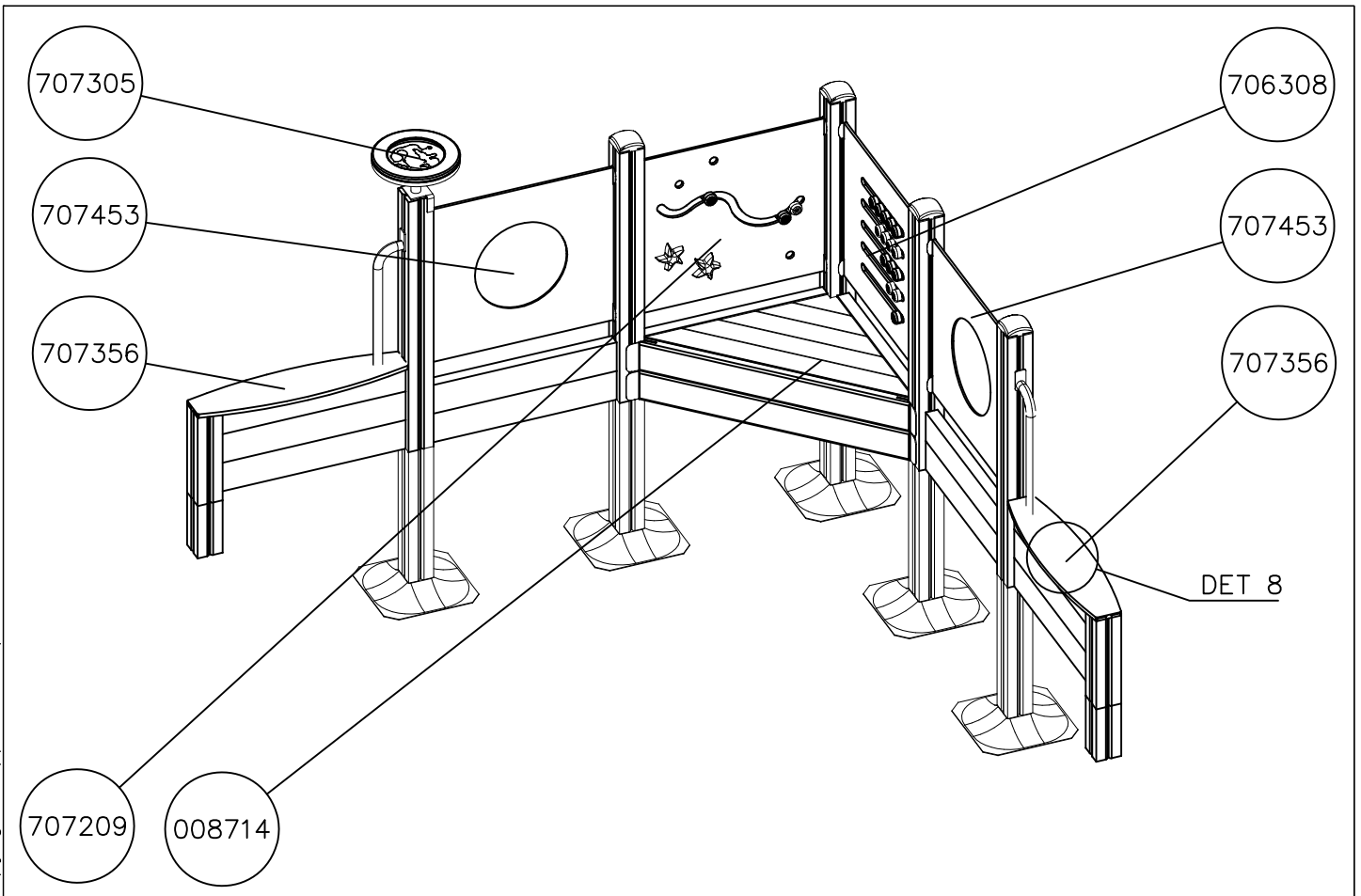
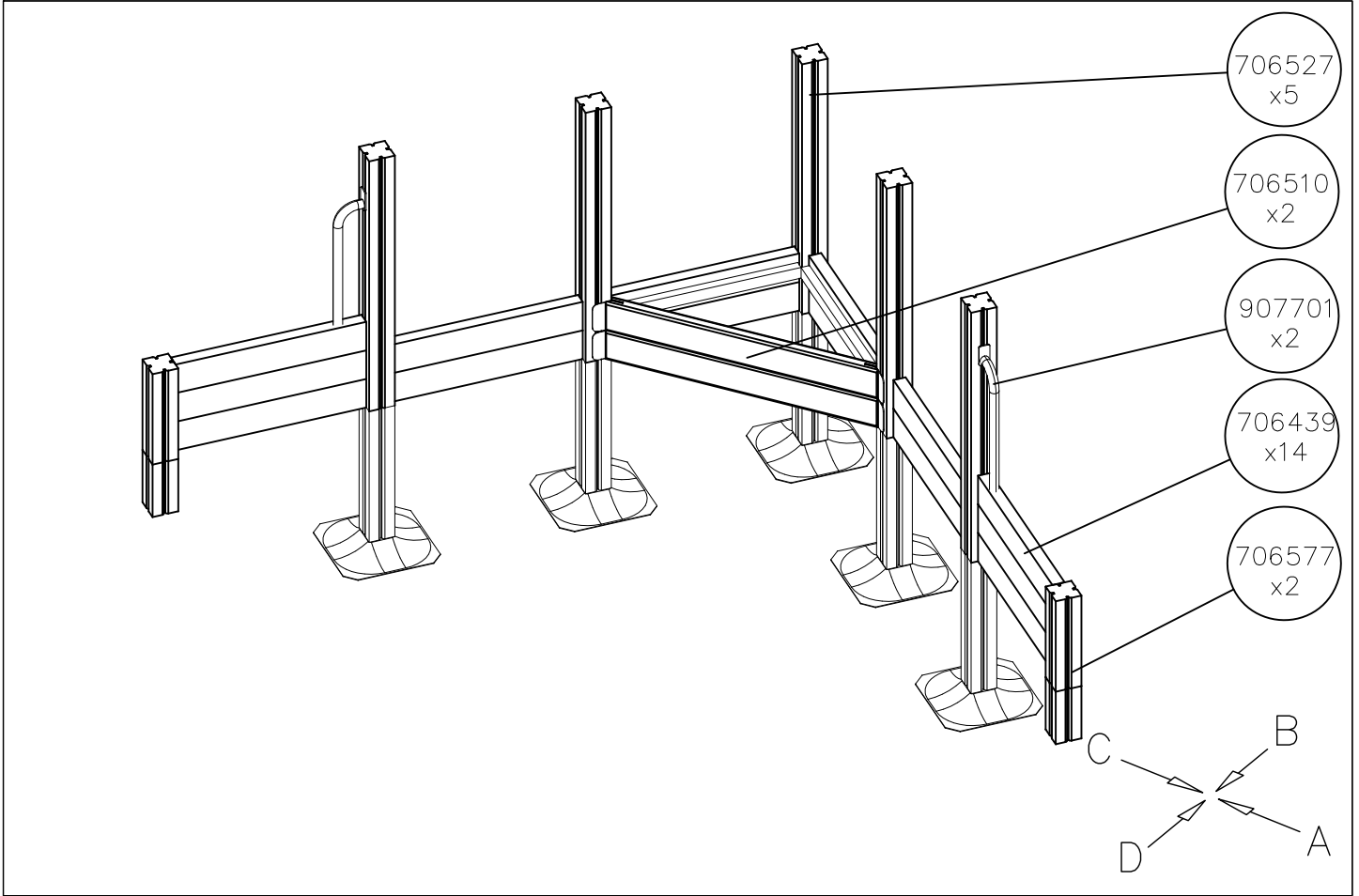




DATE: 24.5.2016

1:50



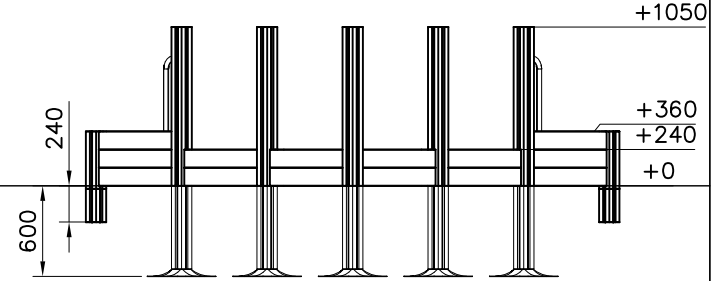
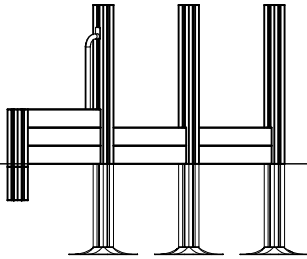


DATE: 24.5.2016

1:50

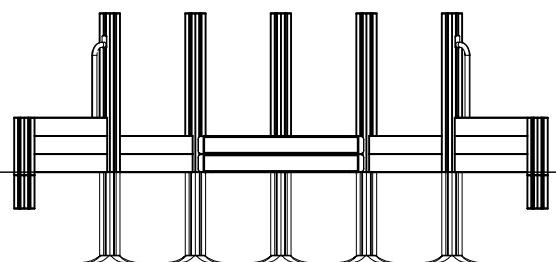
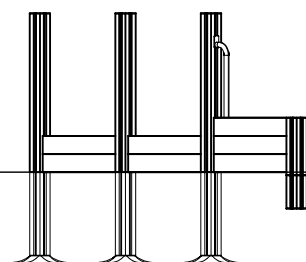
A

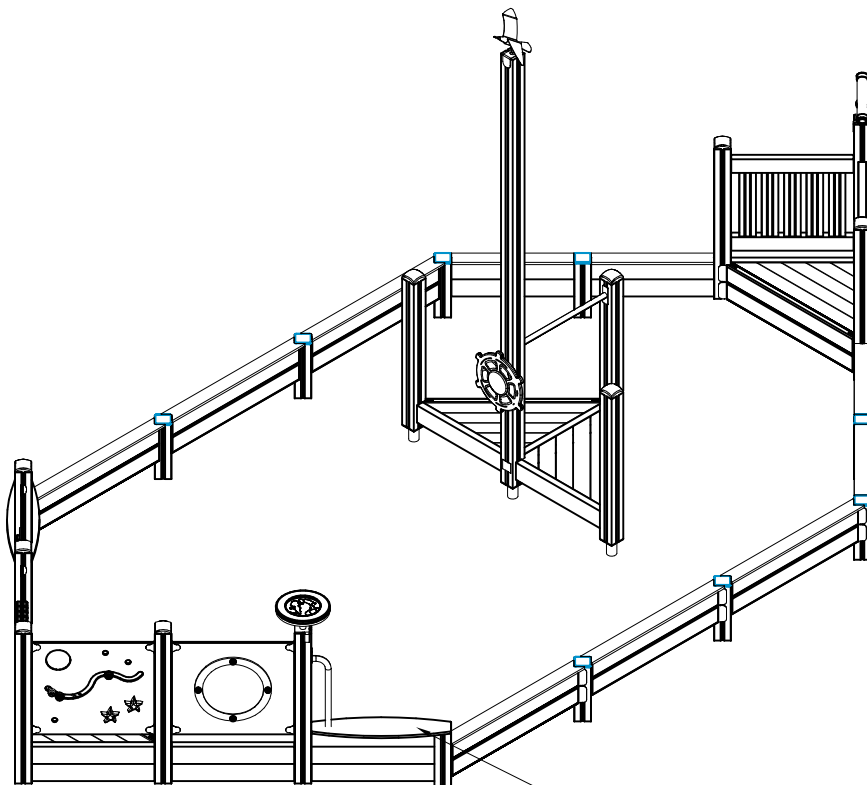
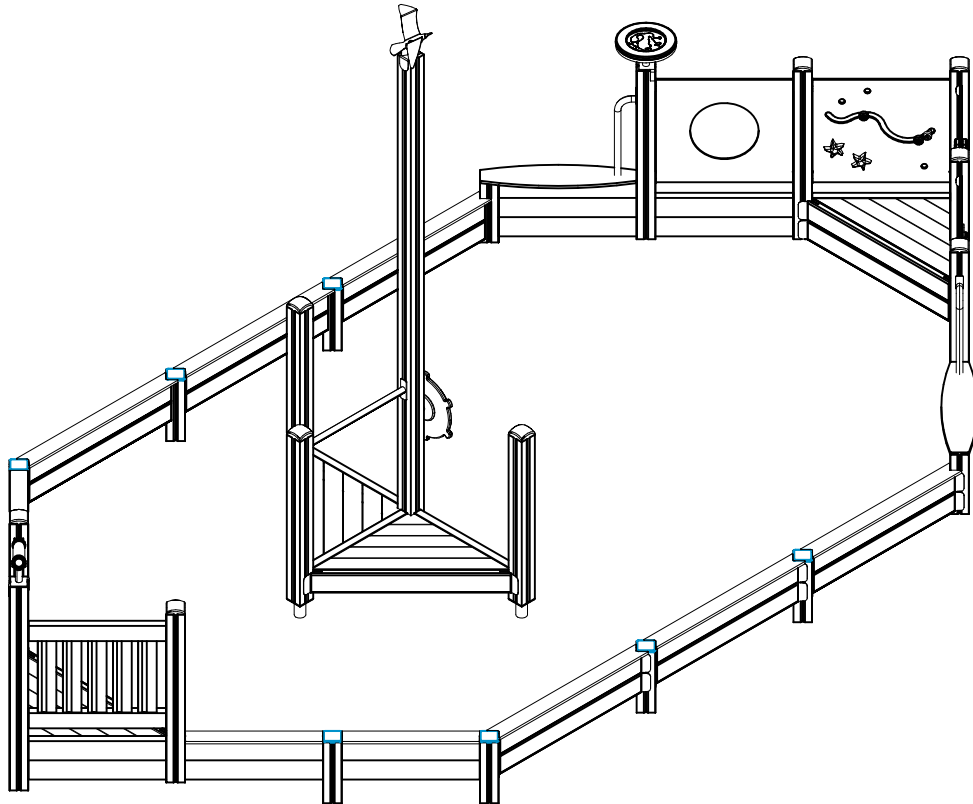
B



C

D





Max Falling Height

LAPPSET®
DEEP FOUNDATION

FOOT

DATE: 13.3.2014

4A

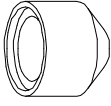


LAPPSET® BETON FOUNDATION

FOOT

DATE: 27.10.2015

1(1)

| | | | |
|--|-----|--|-----|
| ② 905104 | PCS | | PCS |
| | 4 | | |
|  M10 | PCS | | PCS |
| | | | |



905104

LAPPSET® DEEP FOUNDATION

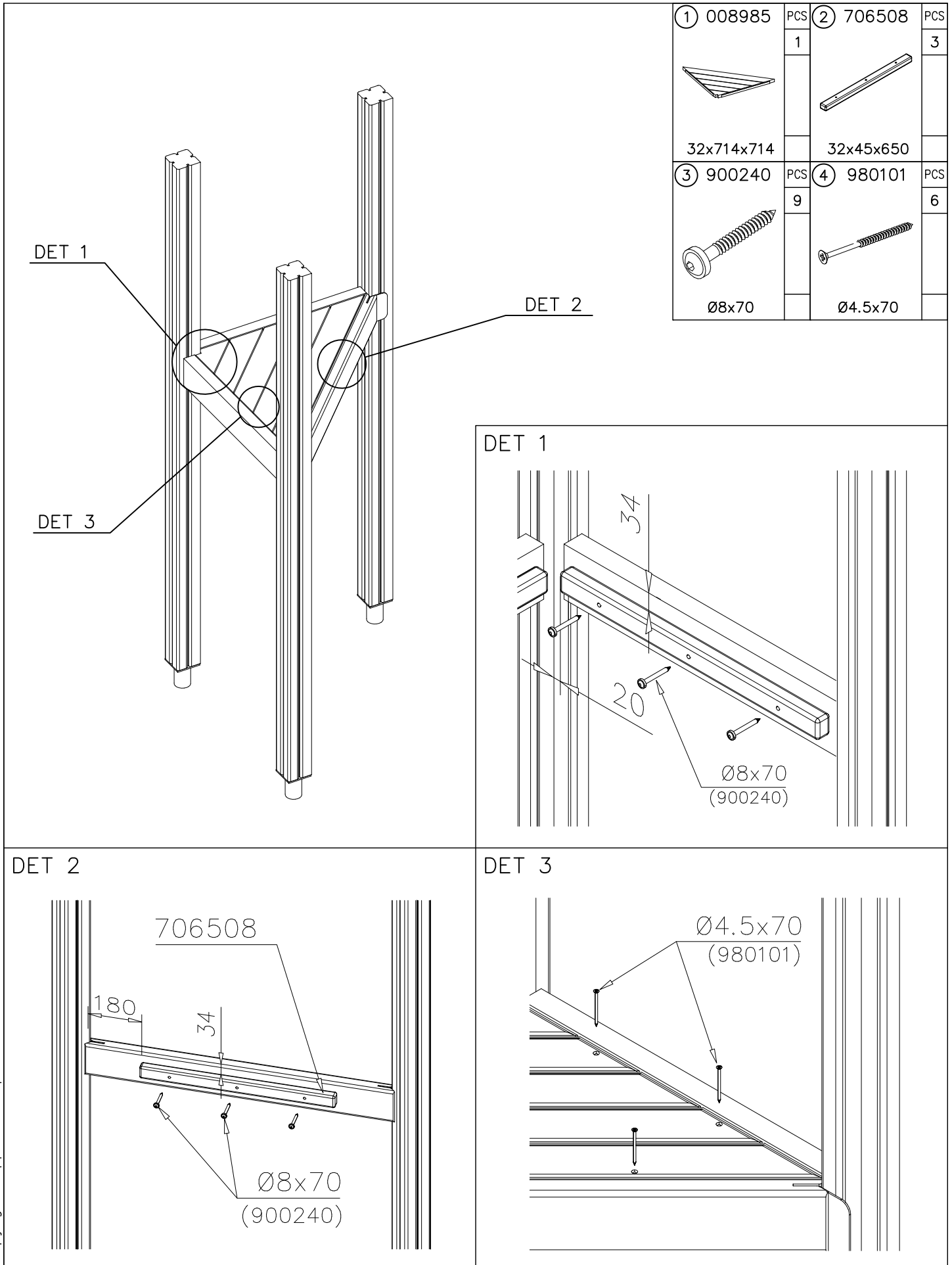
FOOT

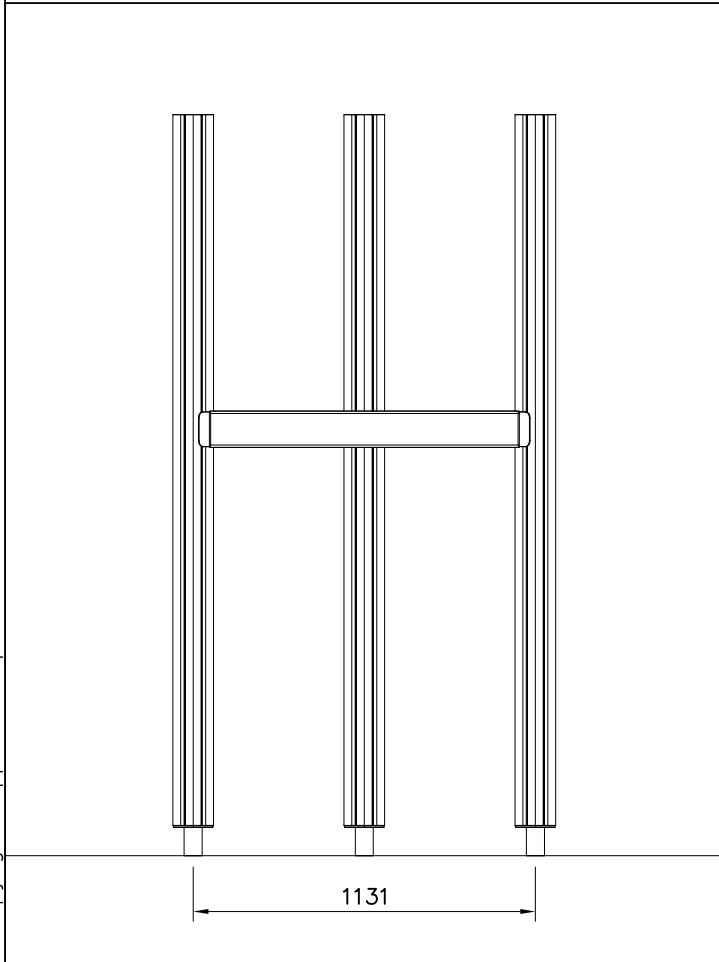
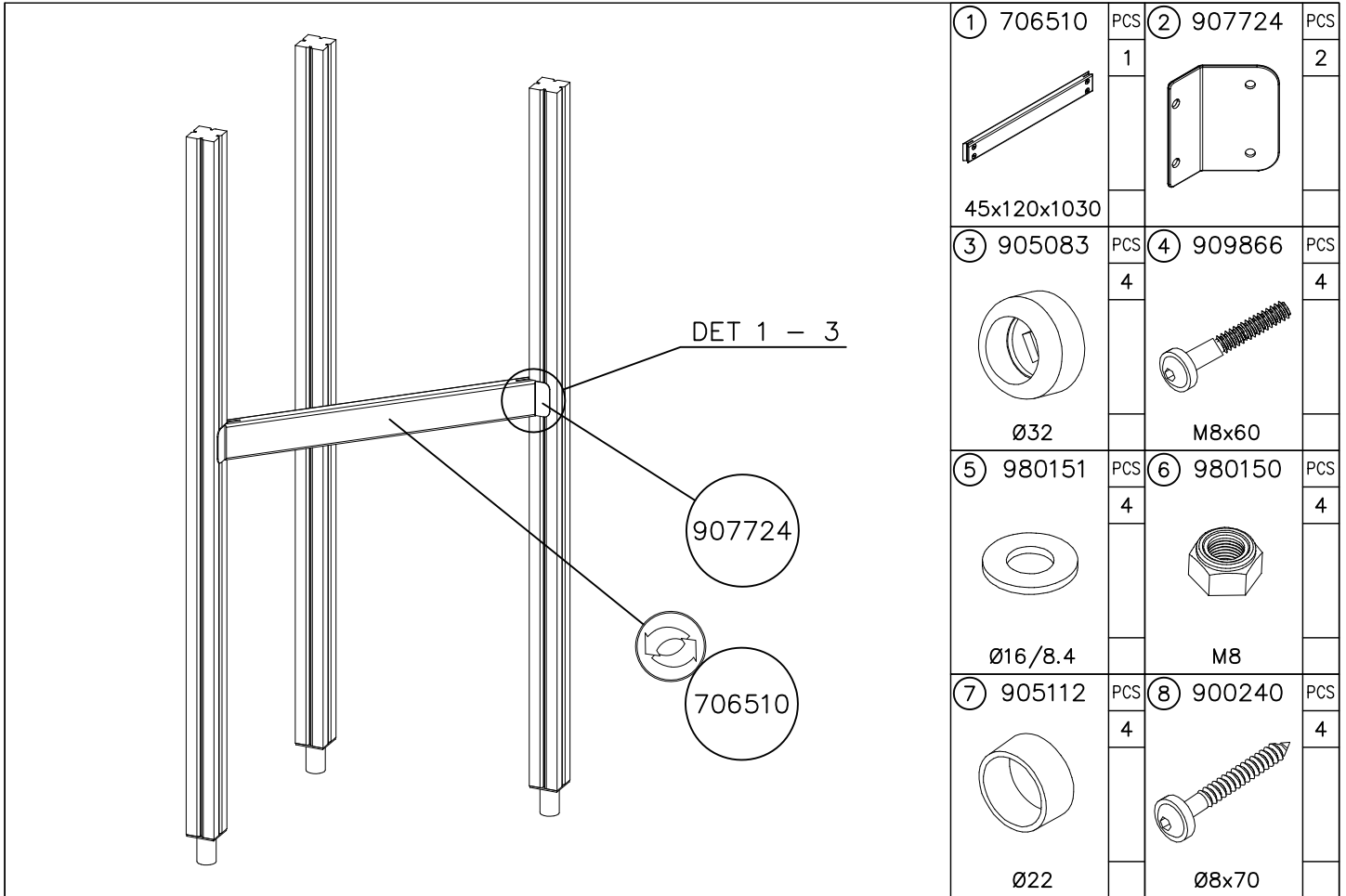
DATE: 15.5.2018

1(1)



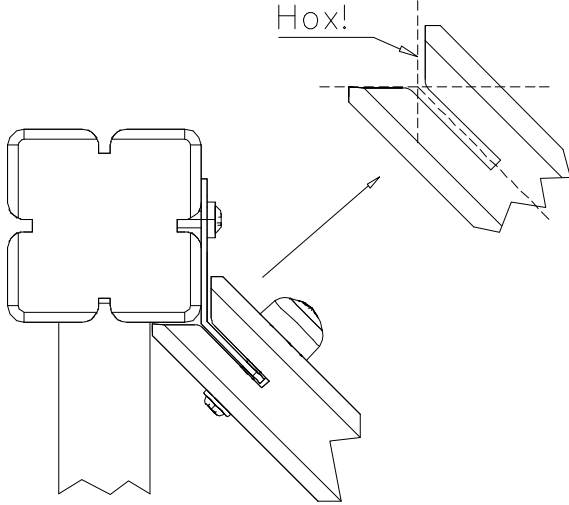
| | | | | | |
|-------------|-----------|-----|---|------------|-----|
| ① | 909511 | PCS | ② | 909519 | PCS |
| | | 1 | | | 1 |
| | 90x90x650 | | | 50x380x380 | |
| ③ | 909637 | PCS | ④ | 909638 | PCS |
| | | 4 | | | 8 |
| | M10 | | | Ø20/10.5 | |
| ⑤ | 909639 | PCS | ⑥ | 905104 | PCS |
| | | 4 | | | 4 |
| | M10x25 | | | M10 | |
| OPTION FOOT | | | | | |
| ① | 911155 | PCS | | | PCS |
| | | 1 | | | |
| | 90x90x650 | | | | |



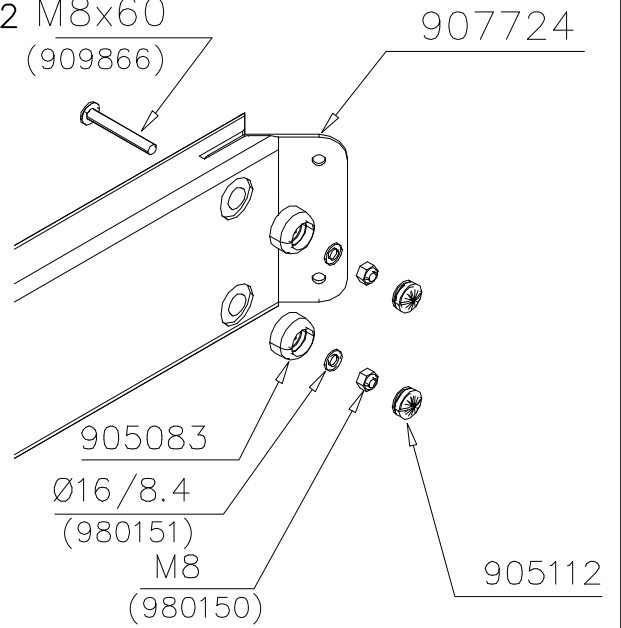


| BOOM OPTIONS | | |
|--------------|------------|-------------|
| 706510 | 706510-602 | DARK BROWN |
| | 706510-603 | LIGHT BROWN |
| 45x120x1030 | 706510-604 | LIGHT GRAY |
| | | |
| | | |
| | | |

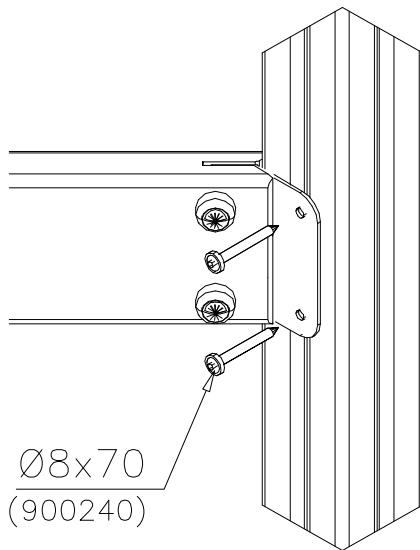
DET 1



DET 2 M8x60
 (909866)



DET 3

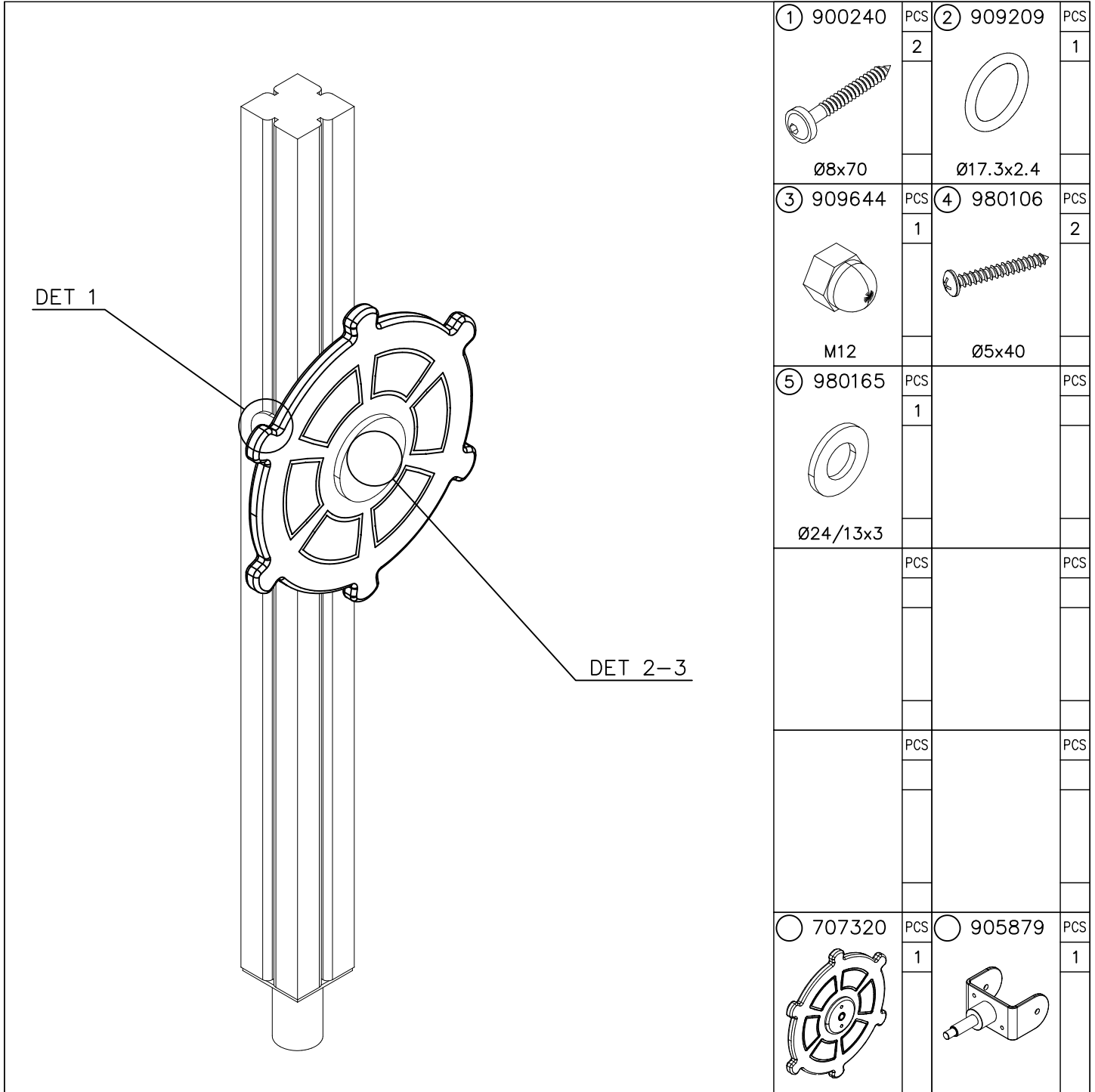


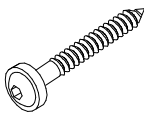
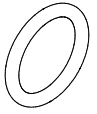
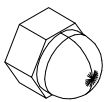
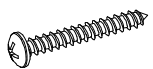

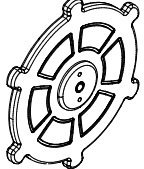
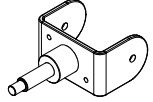
| | | | |
|------------|-----|-------------|-----|
| ① 706746 | PCS | ② 909530 | PCS |
| | 1 | | 4 |
| 45x640x701 | | 55.9x127.5 | |
| ③ 900240 | PCS | ④ 980151 | PCS |
| | 4 | | 4 |
| Ø8x70 | | Ø16/8.4x1.6 | |
| ⑤ 905112 | PCS | | PCS |
| | 4 | | |
| Ø22 | | | |
| | PCS | | PCS |

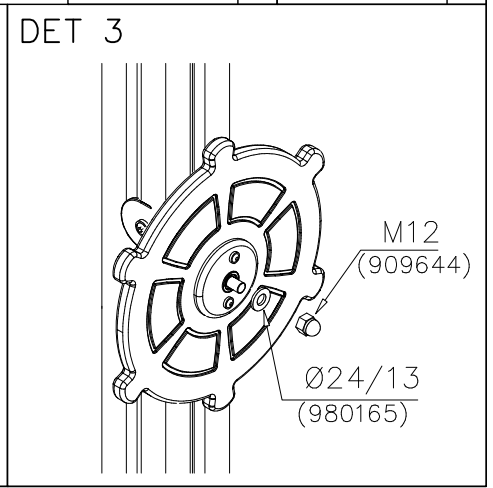
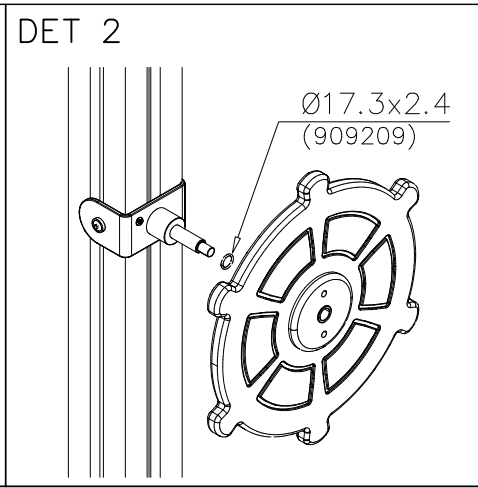
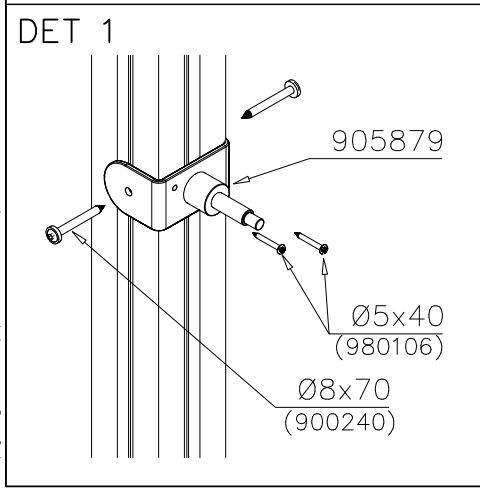


| WALL OPTIONS | | |
|--------------------------|------------|-----------|
| 706746 45x640x701 | 706746-605 | DARK GRAY |
| | 706746-606 | GRAY |
| | 706746-607 | RED |
| | 706746-608 | BLUE |
| | 706746-609 | GREEN |
| | 706746-610 | YELLOW |
| | 706746-611 | LIME |
| | 706746-612 | FUXIA |

| | |
|---|--------------|
| <p>DET 1</p> <p>909530</p> <p>Ø16/8.4 (980151)</p> <p>Ø8x70 (900240)</p> <p>905112</p> <p>175</p> | <p>DET 2</p> |
| <p>DET 3</p> <p>Ø16/8.4 (980151)</p> <p>Ø8x70 (900240)</p> <p>905112</p> | |
| | |



| | | | |
|---|-----|---|-----|
| ① 900240 | PCS | ② 909209 | PCS |
|  | 2 |  | 1 |
| Ø8x70 | | Ø17.3x2.4 | |
| ③ 909644 | PCS | ④ 980106 | PCS |
|  | 1 |  | 2 |
| M12 | | Ø5x40 | |
| ⑤ 980165 | PCS | | PCS |
|  | 1 | | |
| Ø24/13x3 | | | |
| | PCS | | PCS |
| | | | |
| | PCS | | PCS |
| | | | |
| ○ 707320 | PCS | ○ 905879 | PCS |
|  | 1 |  | 1 |

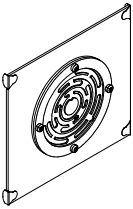
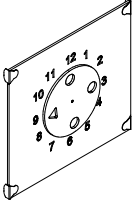
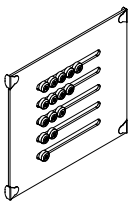
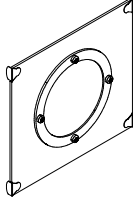
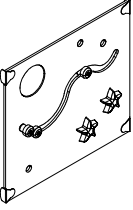
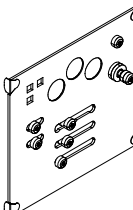
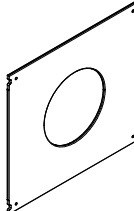
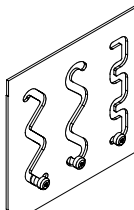
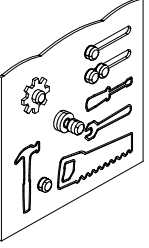
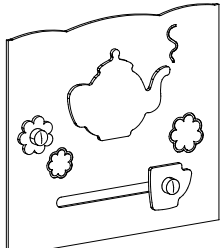
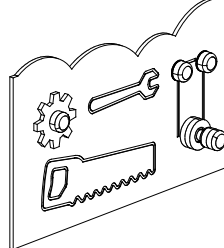


| | | | |
|-------------|-----|----------|-----|
| ① 903176 | PCS | ② 909850 | PCS |
| | 4 | | 4 |
| | | M8x25 | |
| ③ 909256 | PCS | ④ 909633 | PCS |
| | 8 | | 4 |
| Ø16/8.4x1.6 | | M8 | |
| ⑤ 980123 | PCS | | PCS |
| | 4 | | |
| Ø7x60 | | | |

***Note:**
No gaps between:
8–25mm
89–230mm

| COLOR OPTIONS | |
|---------------|------------|
| -701 | BLUE |
| -702 | YELLOW |
| -703 | LIME |
| -704 | DARK GRAY |
| -705 | LIGHT GRAY |
| -706 | RED |
| -707 | GREEN |
| -708 | FUXIA |

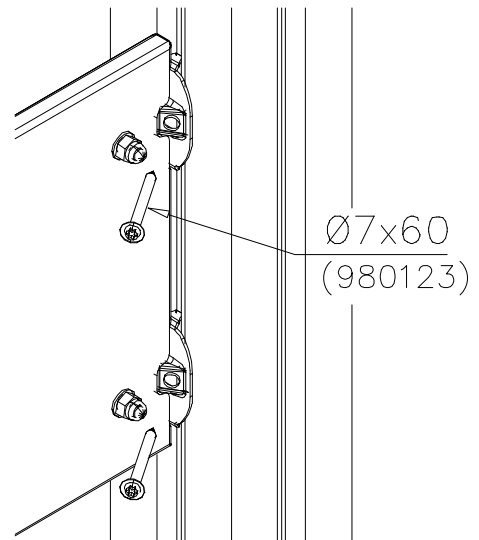
GAME WALL OPTIONS

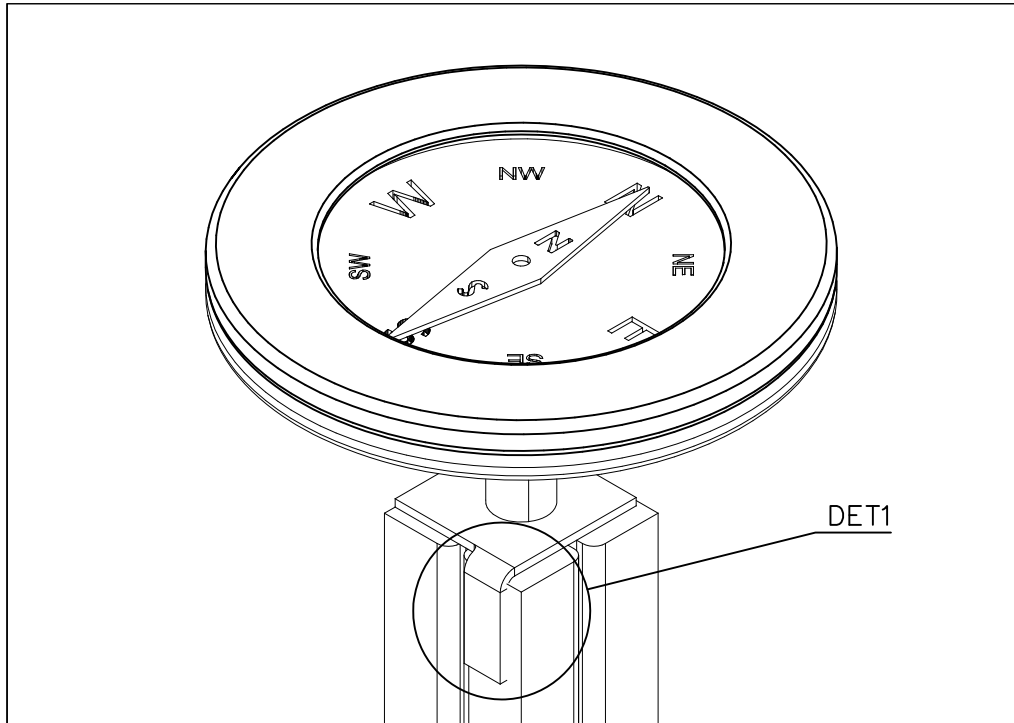
| | | | |
|---|---|--|--|
| 706766 | 706772 | 706308 | 707453 |
|  |  |  |  |
| 640x702 | 640x702 | 640x702 | 640x702 |
| 707209 | 705705 | 707433 | 707386 |
|  |  |  |  |
| 640x702 | 640x702 | 640x702 | 640x702 |
| 709403 | 709358 | 709405 | |
|  |  |  | |
| 640x702 | 640x702 | 420x702 | |

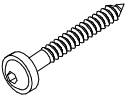
DET 1

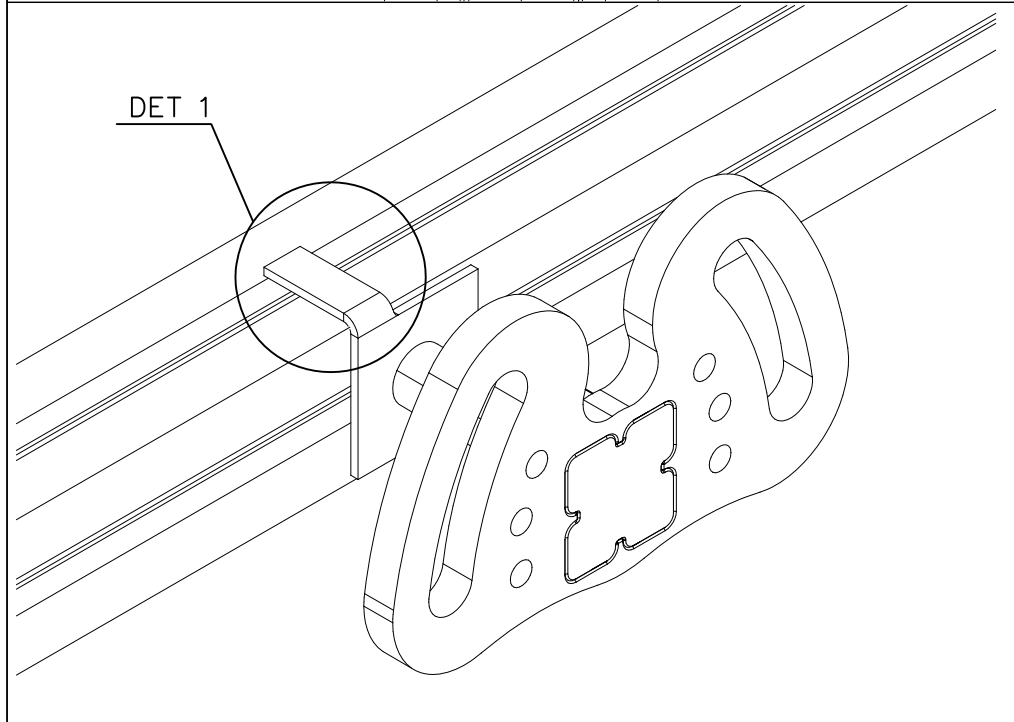


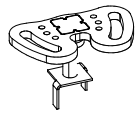
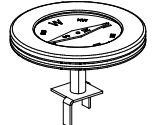
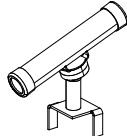
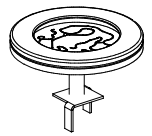
DET 2

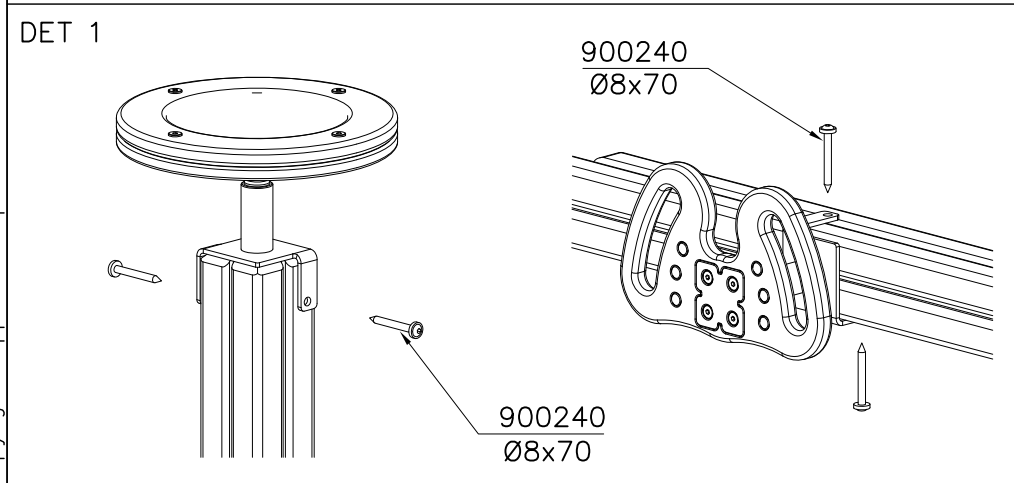




| | | | |
|---|-----|--|-----|
| ① 900240 | PCS | | PCS |
|  | 2 | | |
| Ø8x70 | | | |
| | PCS | | PCS |
| | | | |
| | PCS | | PCS |



| | | | |
|---|-----|---|-----|
| ○ 707302 | PCS | ○ 707303 | PCS |
|  | 1 |  | 1 |
| ○ 707304 | PCS | ○ 707305 | PCS |
|  | 1 |  | 1 |
| | PCS | | PCS |



| | | | |
|--|-----|--|-----|
| | PCS | | PCS |
| | | | |
| | PCS | | PCS |

**Tuotekyltti tulee tuotteen mukana yhdellä seuraavista tavoista:****1) Metallinen tuotekyltti ja kiinnitysruuvit**

- Kiinnitä tuotekyltti ruuveilla tolppaan noin 2 metrin korkeuteen kuvan 1 mukaisesti.

2) Tuotekylttitarra

- Puhdista maalattu metalli- tai vaneripinta pölystä ja kosteudesta. Liimaa tarra kuvan 2 mukaisesti.
- Huom. Älä kiinnitä tarraa karheapintaiseen laminaattiin tai maalattuun puuhun.

Vår produktmärkning levereras på ett av följande sätt:**1) Produktskylt i metall**

- Fäst skylten med de medföljande skruvarna

2) Självhäftande produktetikett

- Rengör den pulverlackerade metallytan eller laminatyten så att den blir fri från smuts och fukt. Fäst etiketten enligt fig. 2.
- Obs! Fäst ej etiketten på detaljer med skrovlig yta eller på målat trä.

Product label is delivered by one of following ways:**1) Metal product label and screws**

- Fasten the label with screws.

2) Label sticker

- Clean the painted metal or plywood surface from dirt and moisture. Fasten the sticker as shown in the figure 2.
- Note. Do not attach the sticker to rough surfaced laminate or painted wood.

La plaque d'informations produit est livrée sous l'une de ces 3 formes :**1) Plaque métallique et vis**

- Fixez la plaque à l'aide des vis.

2) Etiquette autocollante

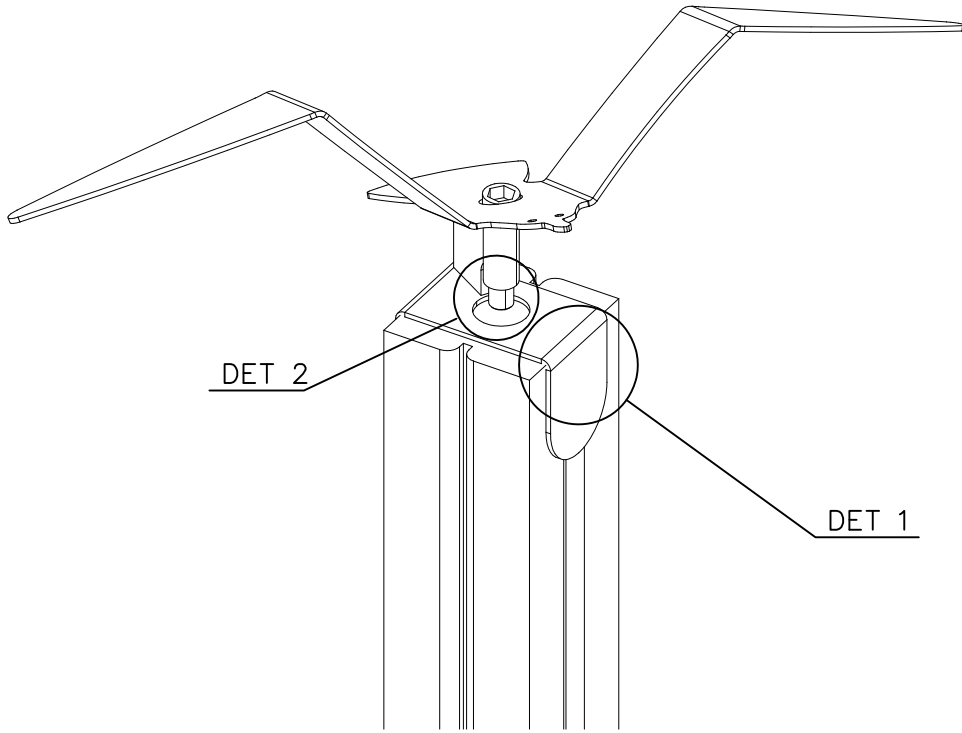
- Avant de coller l'étiquette, nettoyez le composant métallique peint ou la plaque de contreplaqué, de toute saleté. La surface doit être sèche (voir image 2).
- Attention, ne pas coller l'étiquette sur une surface lamellé-collée irrégulière ou sur du bois peint.

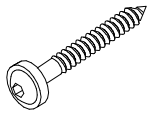

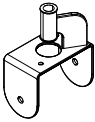

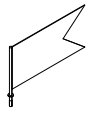

Die Auslieferung des Produktaufklebers erfolgt auf eine dieser Arten:**1) Produkt-Schild aus Metall incl. Schrauben**

- Die Befestigung des Schildes erfolgt mittels der Schrauben.

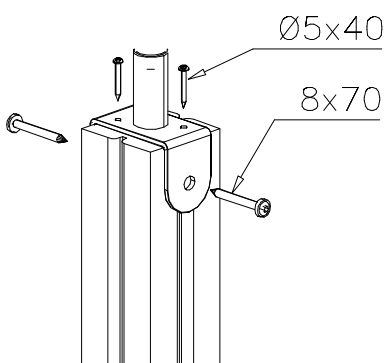
2) Aufkleber

- Entfernen Sie zunächst Schmutz und Feuchtigkeit vom lackierten Metall bzw. von der Holzoberfläche und bringen Sie den Aufkleber wie im Bild oben rechts beschrieben auf den gesäuberten Untergrund auf.
- Beachten Sie: Bringen Sie den Aufkleber nicht auf raues laminiertes oder lackiertes Holz an.

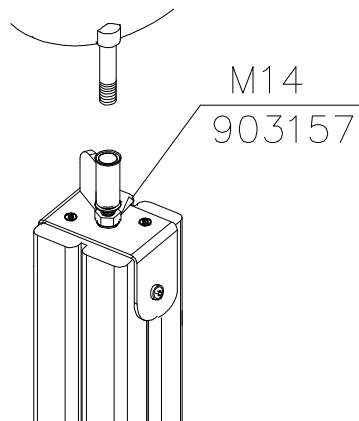


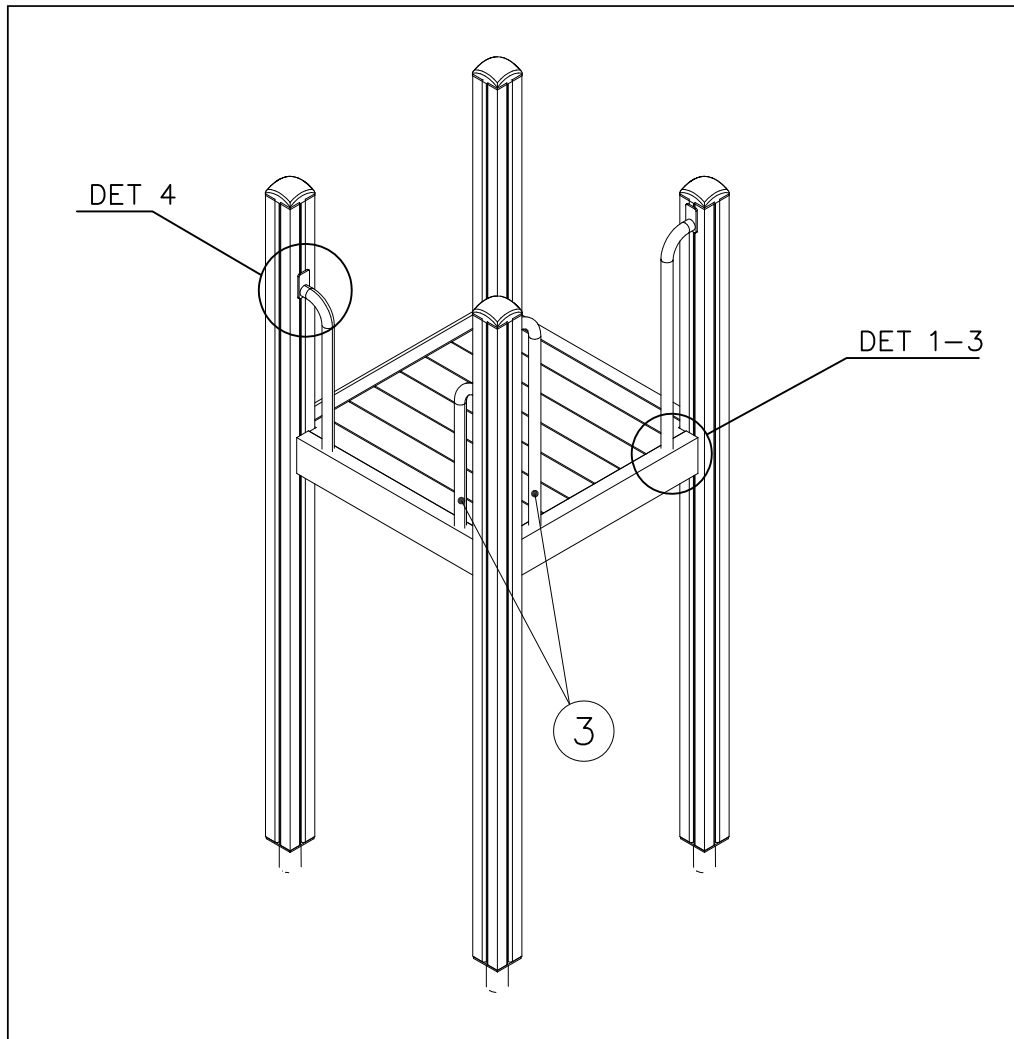
| | | | |
|---|-----|---|-----|
| ① 900240 | PCS | ② 980106 | PCS |
|  | 2 |  | 2 |
| Ø8x70 | | Ø5x40 | |
| ③ 907082 | PCS | | PCS |
|  | 1 | | |
| Ø8x70 | | | |
| | PCS | | PCS |
| | | | |
| | PCS | | PCS |
| | | | |
| ○ 908357 | PCS | ○ 900793 | PCS |
|  | 1 |  | 1 |
| | | | |
| ○ 903157 | PCS | | PCS |
|  | 1 | | |
| M14 | | | |
| | PCS | | PCS |
| | | | |
| | PCS | | PCS |
| | | | |

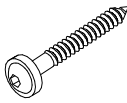



DET 1



DET 2





| | | | |
|--|----------|---|----------|
| ① 900240  Ø8x70 | PCS 1 | ② 900727  M10x80 | PCS 1 |
| | PCS | | PCS |
| ③ 907688  765 | PCS 1 | ③ 907701  545 | PCS 1 |
| | PCS | | PCS |
| | PCS | | PCS |
| | PCS | | PCS |
| | PCS | | PCS |
| | PCS | | PCS |
| | PCS | | PCS |

