

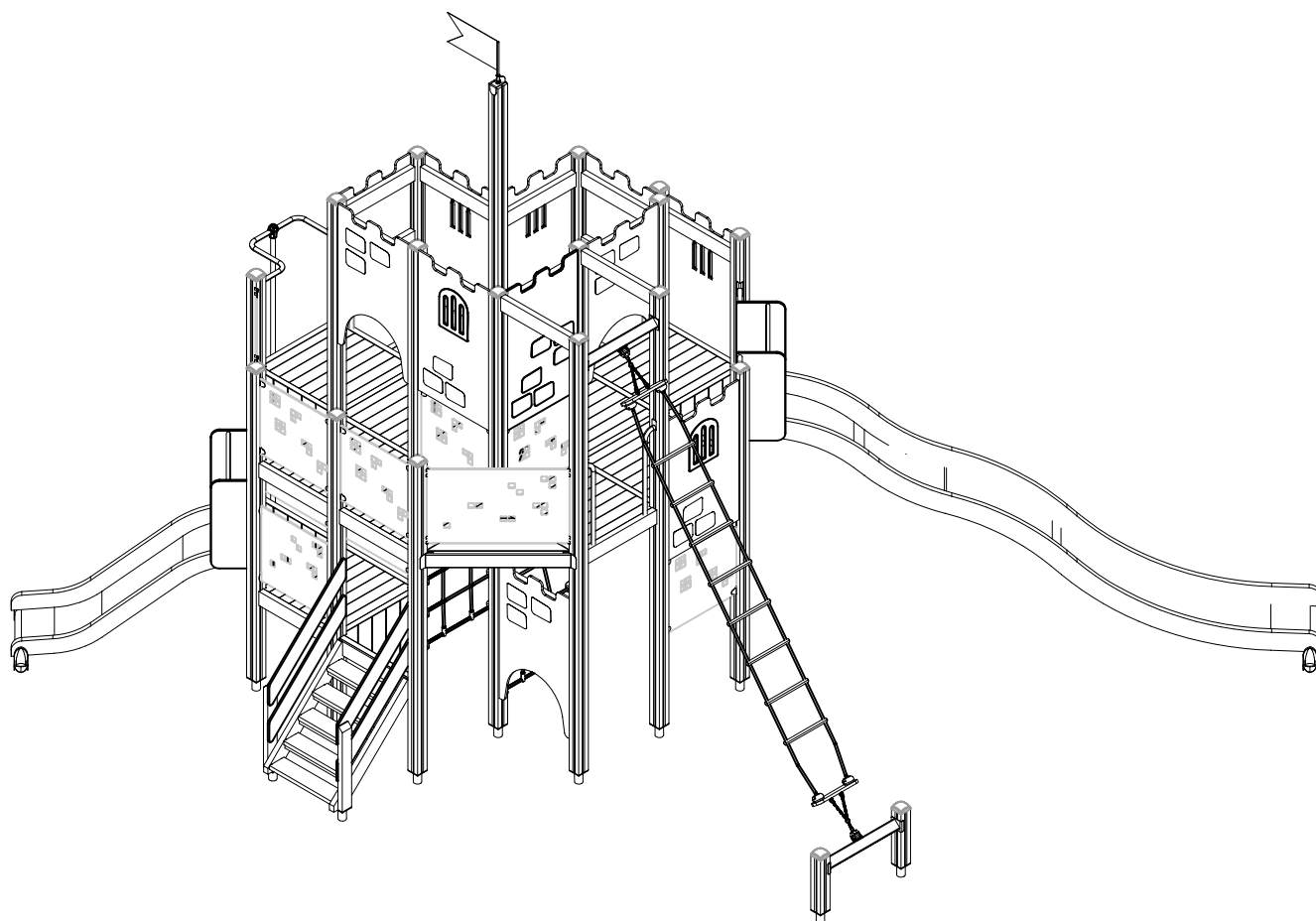
LAPPSET®

NEW FINNO


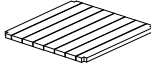
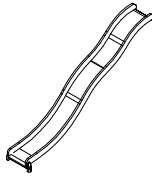
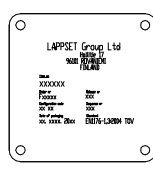
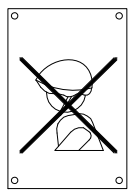
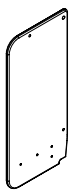
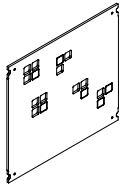
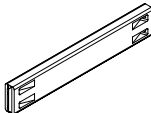

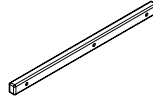
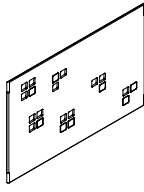
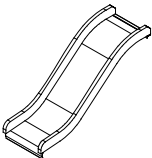
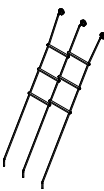
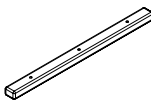
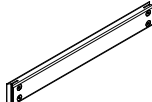
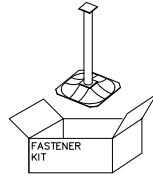
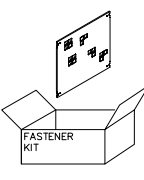
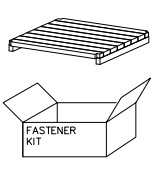
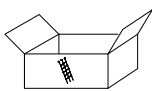
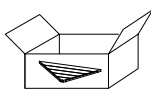
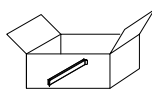
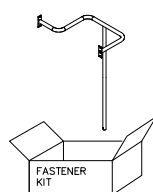
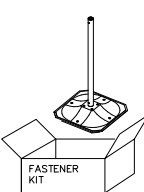
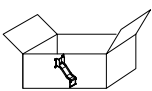
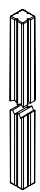

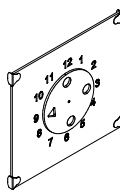
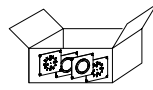

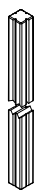
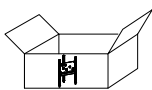
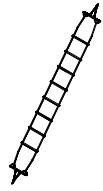
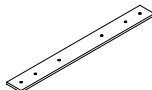

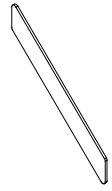

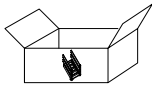
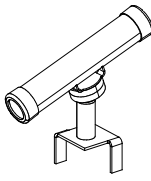

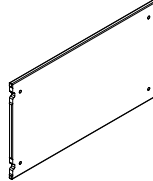
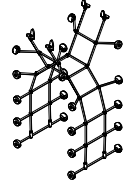
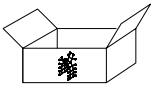
ASENNUSOHJE
MONTERINGSANSVISNING
INSTALLATION INSTRUCTION
AUFBAUANLEITUNG
NOTICE D'INSTALLATION

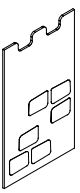
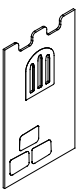
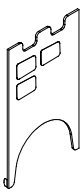
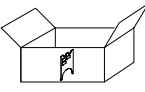
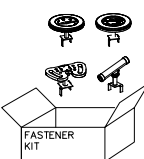
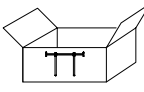
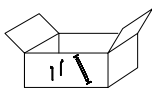
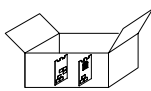
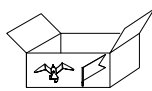
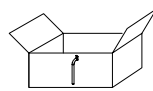
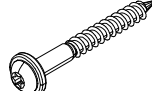
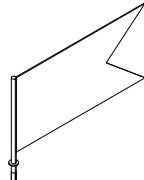
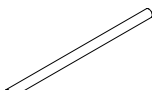
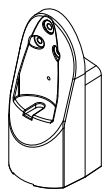



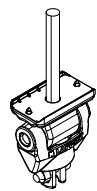
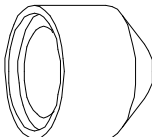
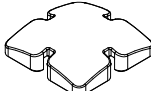
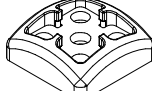

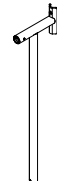
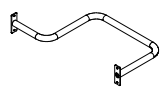


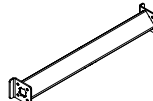
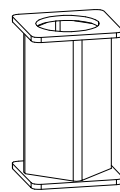

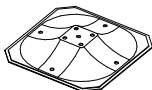
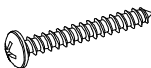
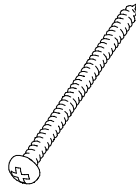
DATE: 26.5.2020

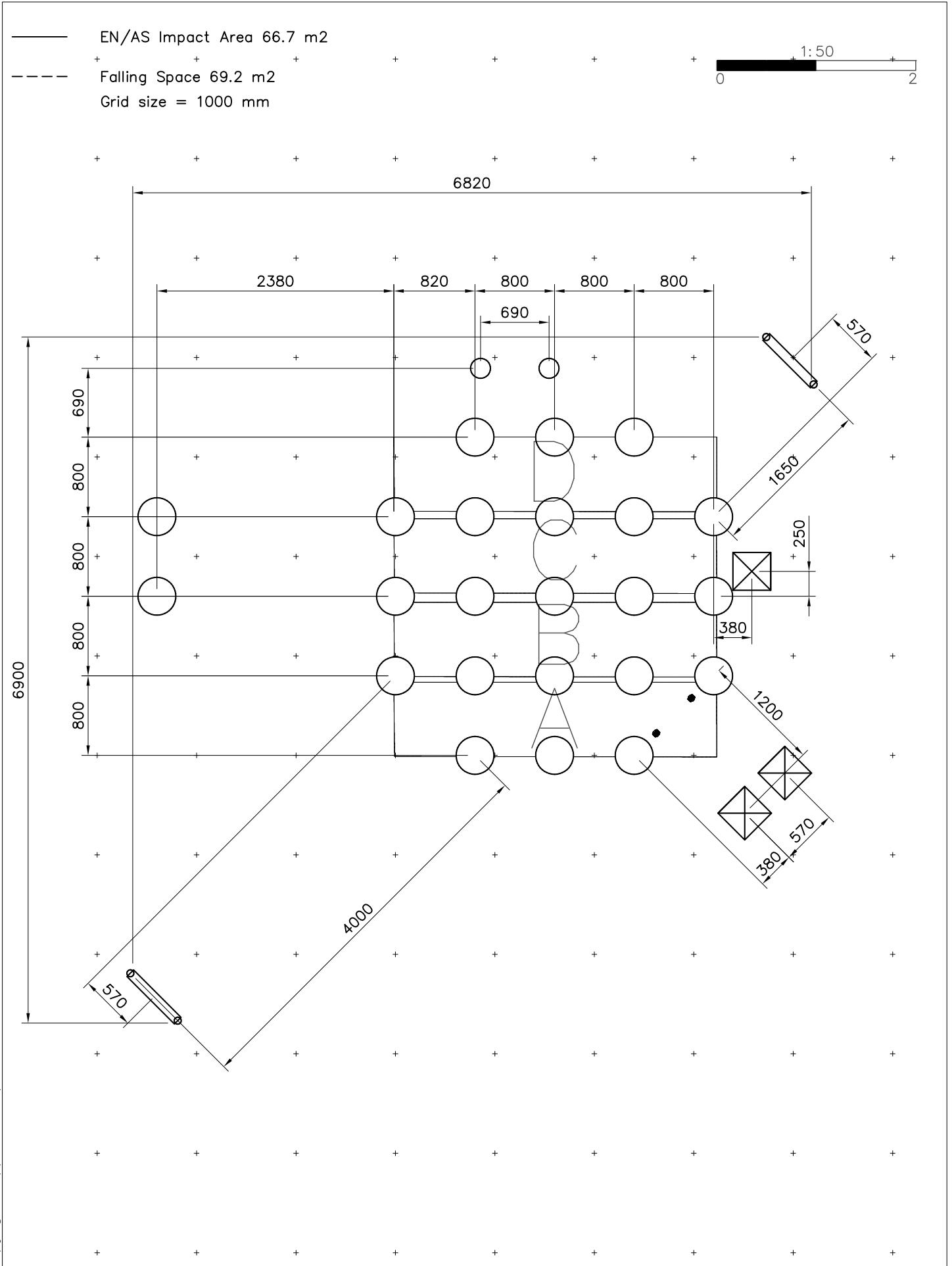
137730



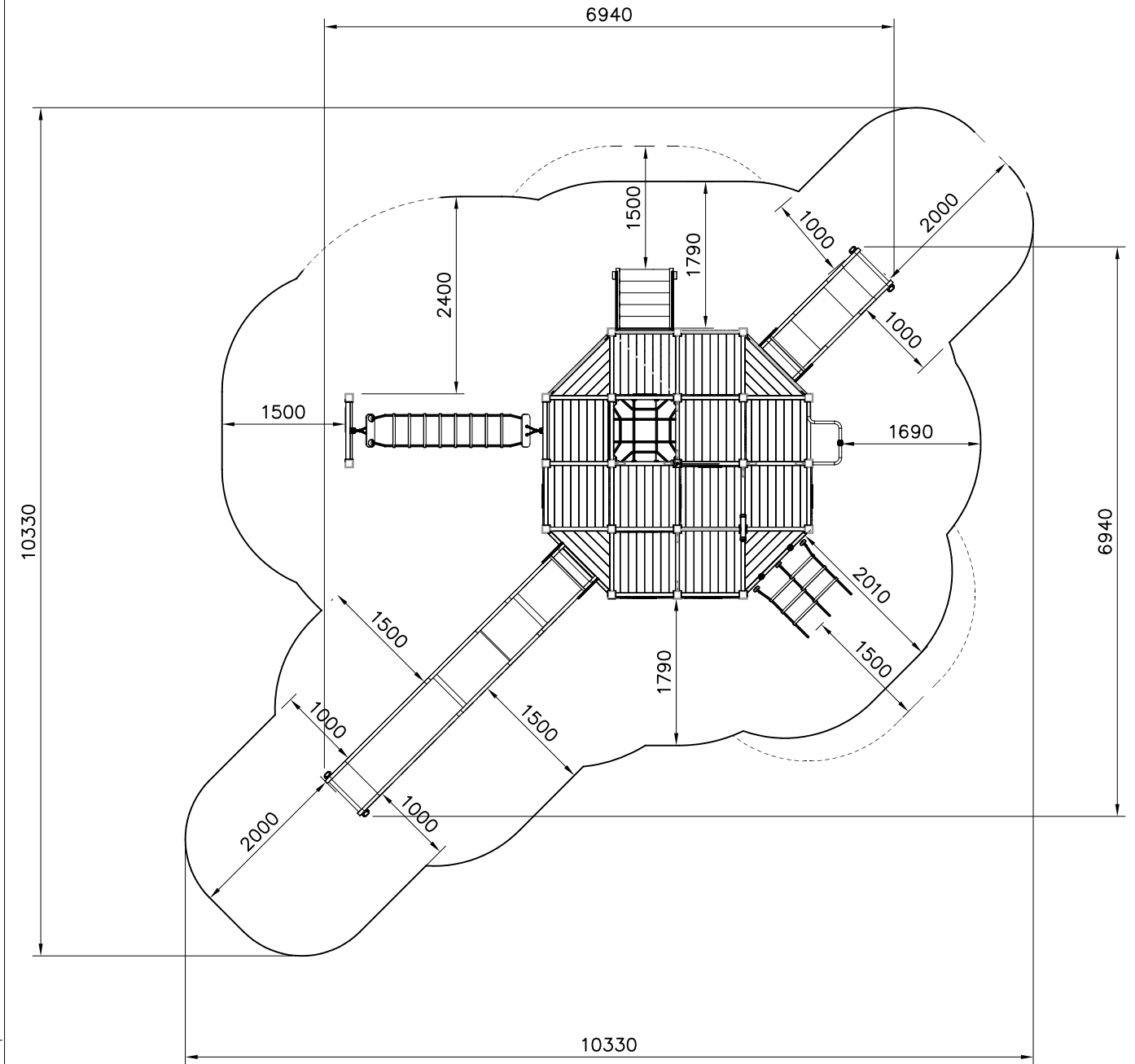
DATE: 26.5.2020

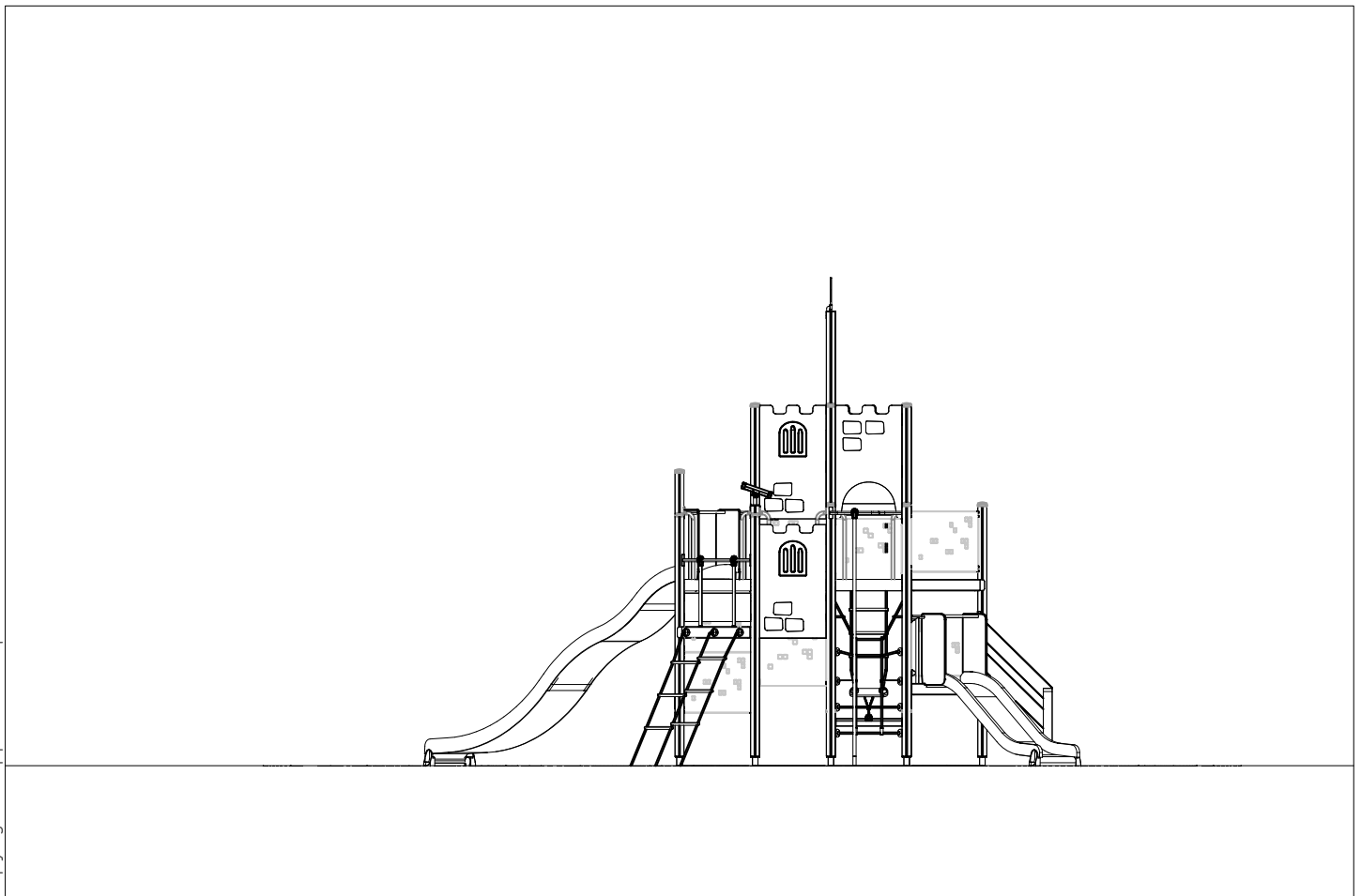
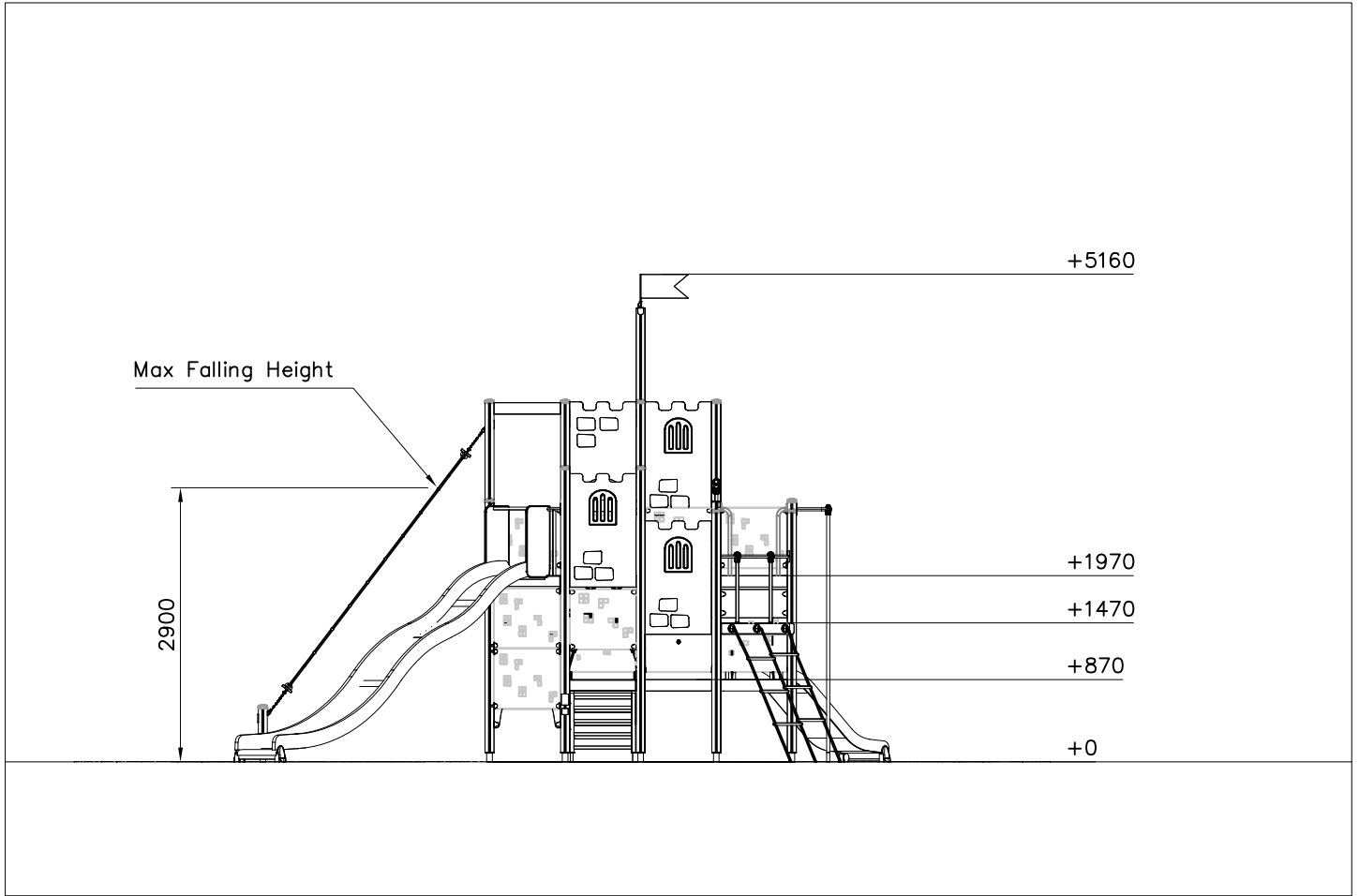
008985  32x714x714	PCS 6	008986  750x750	PCS 12	701448-604  600x2020x4010	PCS 1	702286  65x65	PCS 1	702339  118x78	PCS 1	706371-702  15x345x750	PCS 4
706436-702  10x640x702	PCS 11	706439-604  L 704	PCS 66	706441-604  93x93x1550	PCS 1	706443  32x45x702	PCS 24	706448-702  10x640x1003	PCS 5	706452-604  600x780x1740	PCS 1
706462-305  32x45x650	PCS 1	706508  32x45x650	PCS 18	706510-604  45x120x1030	PCS 6	706531  FASTENER KIT	PCS 25	706534  FASTENER KIT	PCS 15	706535  FASTENER KIT	PCS 12
706536  FASTENER KIT	PCS 1	706537  FASTENER KIT	PCS 6	706538  FASTENER KIT	PCS 6	706541  FASTENER KIT	PCS 1	706542  FASTENER KIT	PCS 1	706547  FASTENER KIT	PCS 2
706568-604  93x93x3000	PCS 3	706664-604  93x93x2540	PCS 2	706772-702  93x93x3700	PCS 1	706778  FASTENER KIT	PCS 1	706788-604  93x93x3700	PCS 9	706810-604  93x93x2650	PCS 7
706878  FASTENER KIT	PCS 5	707113-305  10x80x745	PCS 1	707133  43x93x717	PCS 2	707145-604  15x145x1153	PCS 2	707146-702  +870	PCS 4	707191-604  1520x705	PCS 1
707224  FASTENER KIT	PCS 1	707304  93x93x470	PCS 1	707331-604  15x300x702	PCS 2	707340  1520x705	PCS 4	707341-305  FASTENER KIT	PCS 1	707349  FASTENER KIT	PCS 1

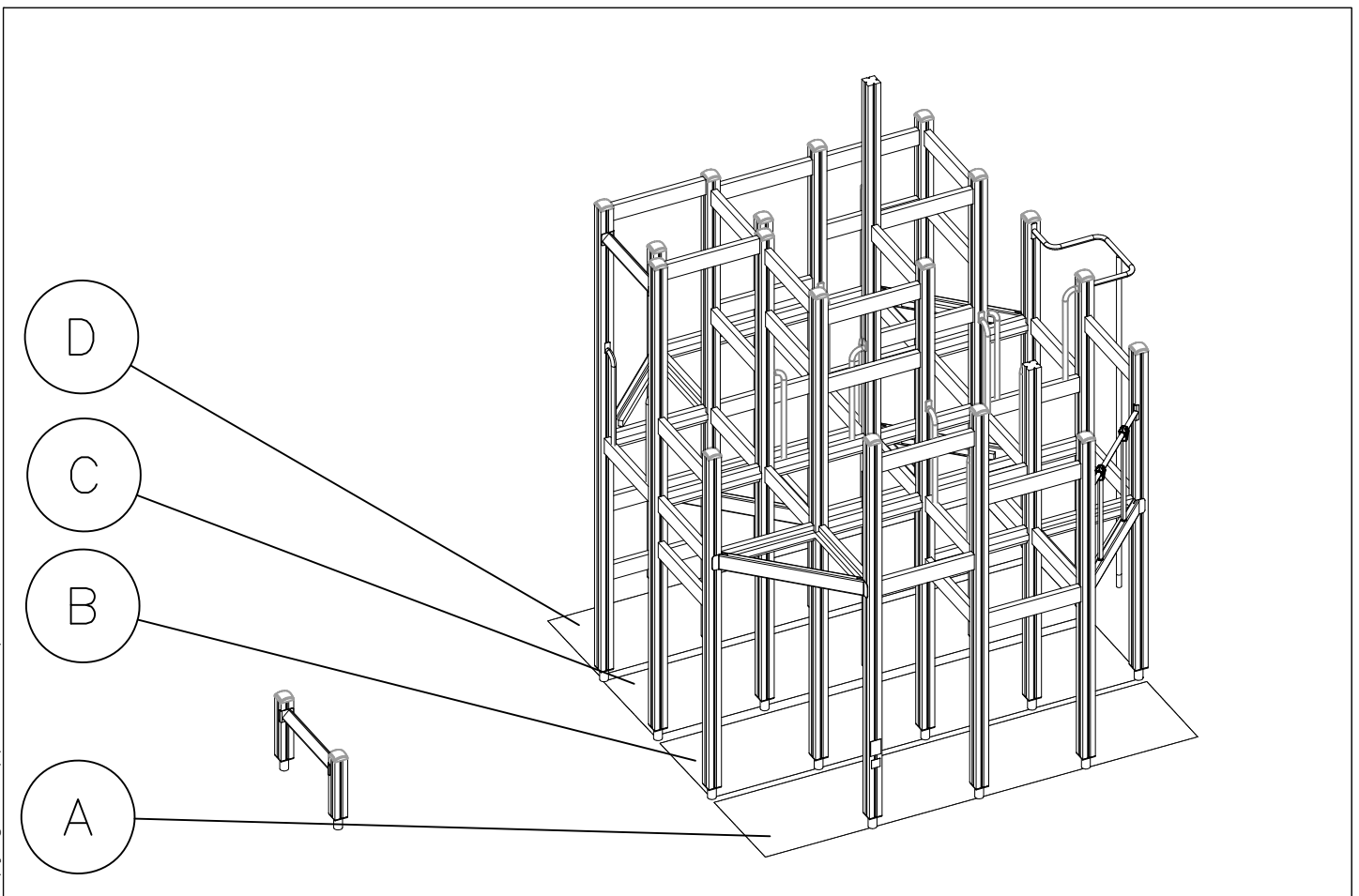
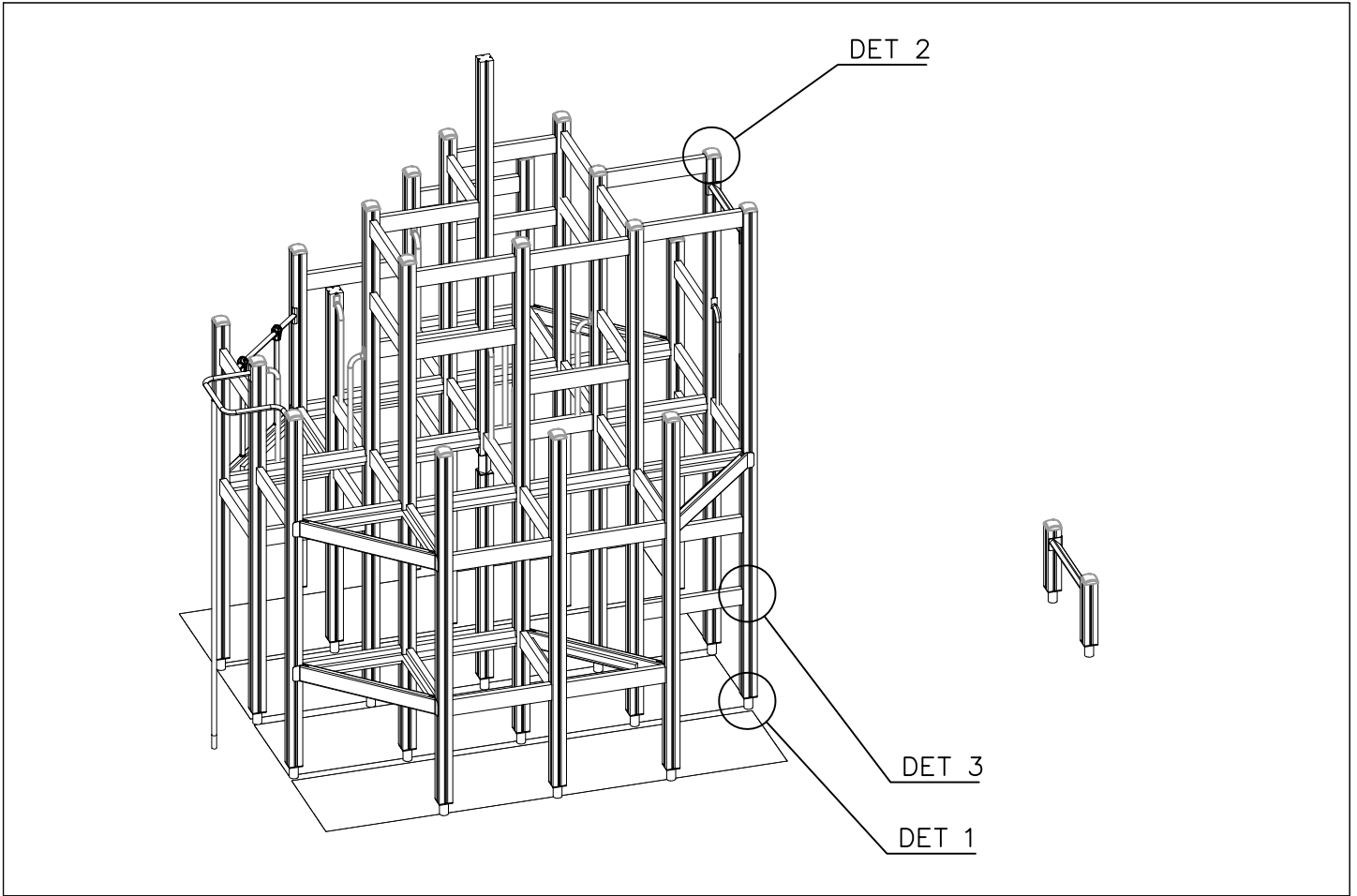
707462-610	PCS 1	707463-610	PCS 7	707464-610	PCS 5	707470	PCS 5	707585	PCS 1	707625	PCS 1
											
15x1200x702		15x1200x702		15x1200x702				FASTENER KIT			
707652	PCS 1	707662	PCS 8	707693	PCS 1	707732	PCS 10	900240	PCS 4	900793-206	PCS 1
											
								Ø8x70			
901868	PCS 6	901879	PCS 4	901902	PCS 2	901916	PCS 1	903093	PCS 264	904904	PCS 2
											
Ø34x598				30.7x60.9x100		L 650		Ø8x90			
905104	PCS 8	905138	PCS 21	905196	PCS 21	907688-216	PCS 12	907692-216	PCS 4	907695-216	PCS 1
											
M10		GRAY		GRAY		40x765x114					
907817-216	PCS 1	907920-216	PCS 1	908044-216	PCS 2	908226-216	PCS 2	909491	PCS 1	909511	PCS 25
											
L 2554		120x40x1029		Ø33,7x679		90x96,5x704		L 150		90x90x650	
909519	PCS 28	980114	PCS 8	980131	PCS 84						
											
50x380x380		Ø4x20		Ø6x60							
	PCS		PCS		PCS		PCS		PCS		PCS

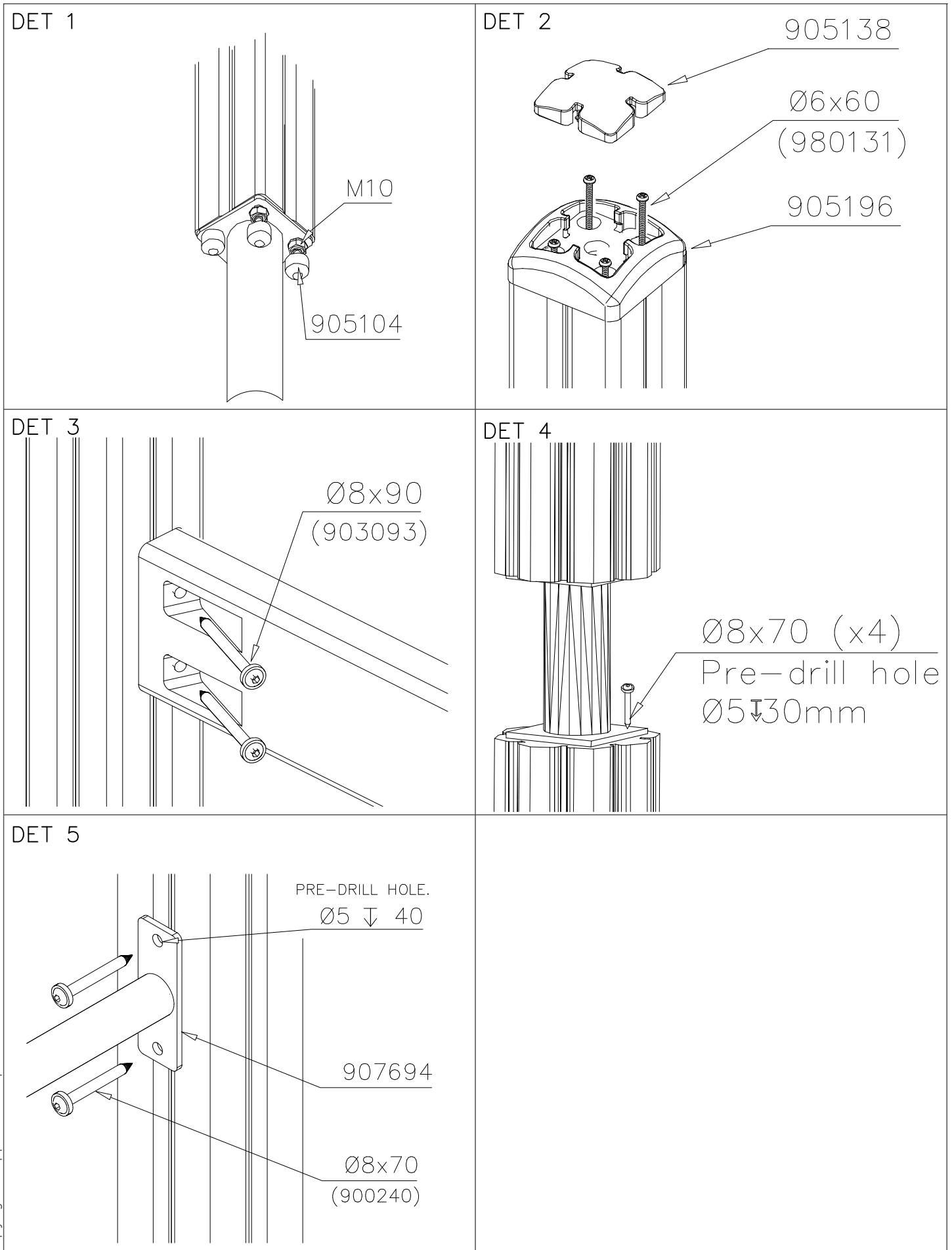


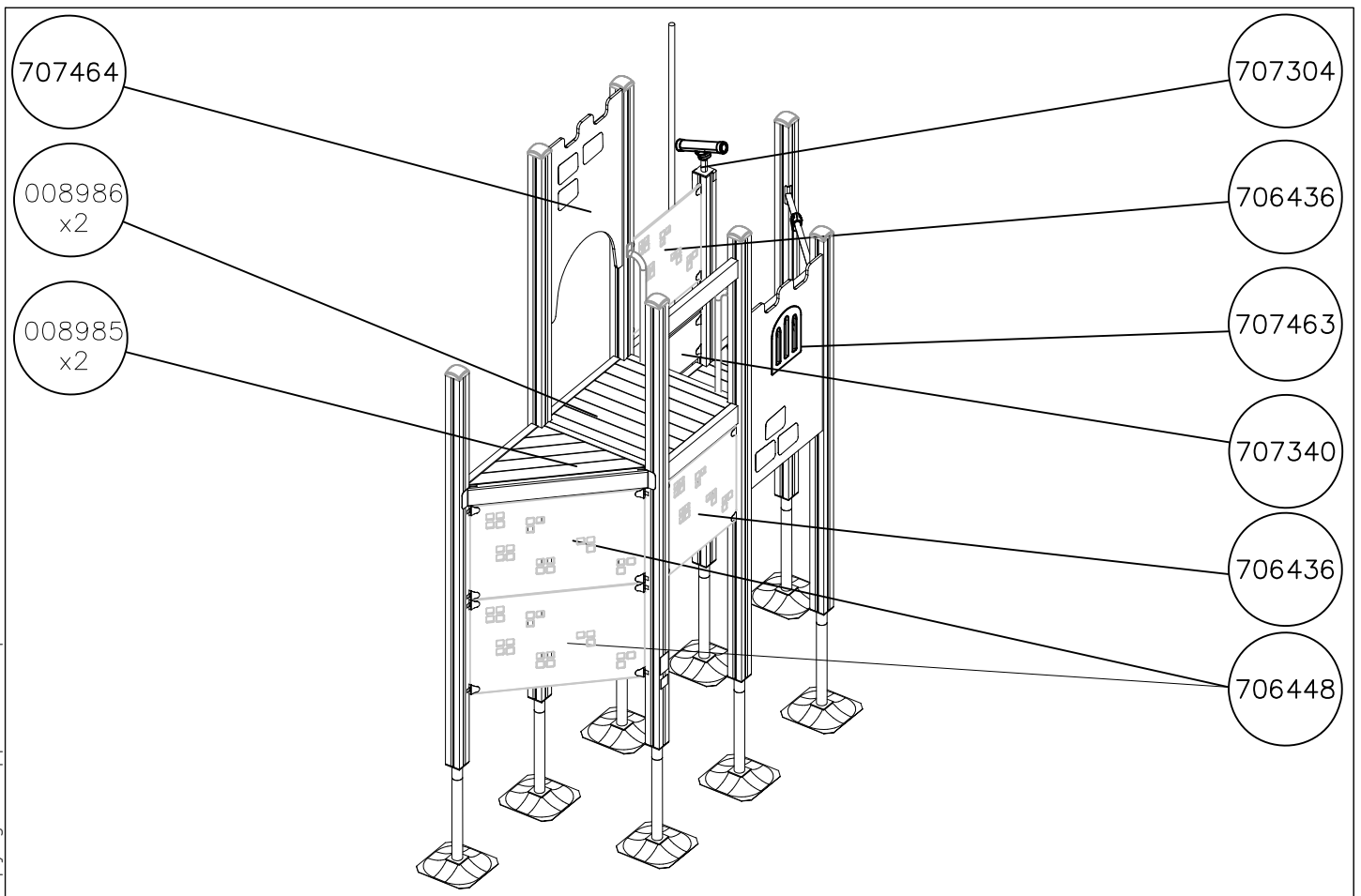
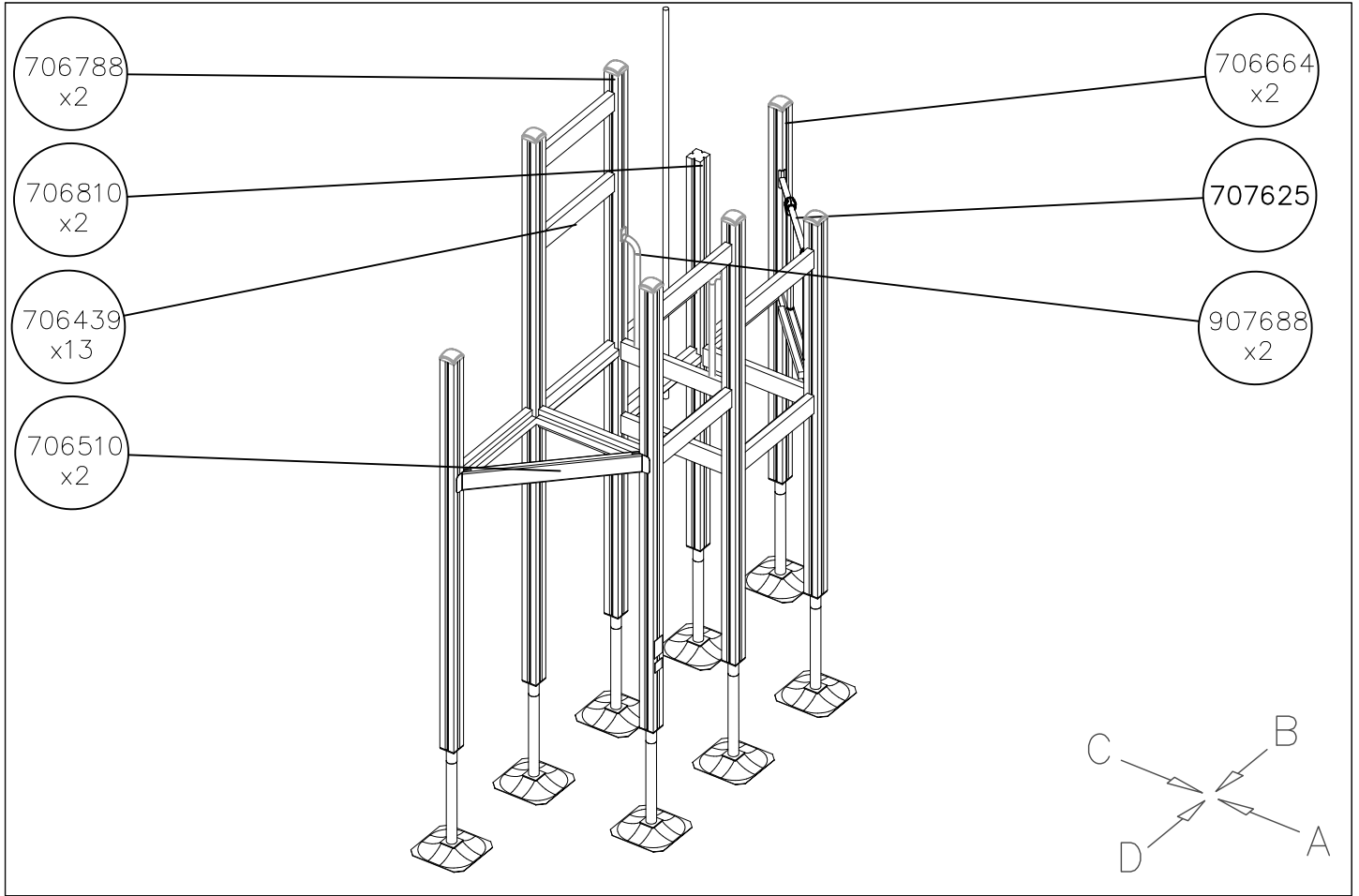
—— EN/AS Impact Area 66.7 m²
- - - - Falling Space 69.2 m²
Max Falling Height 2900 mm







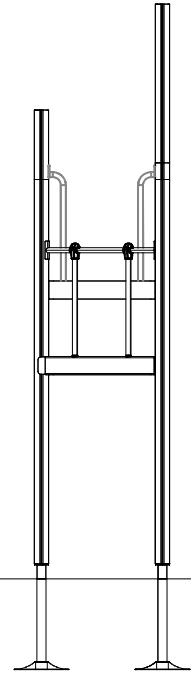
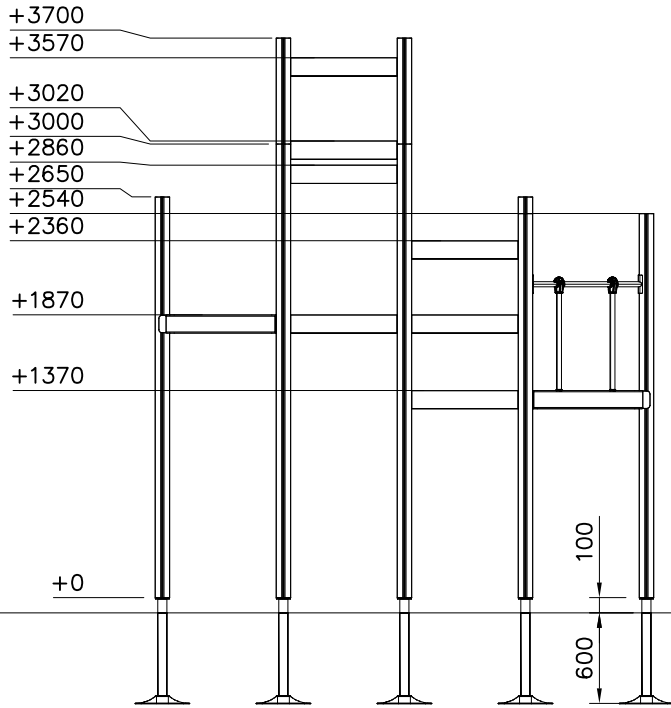




1:50

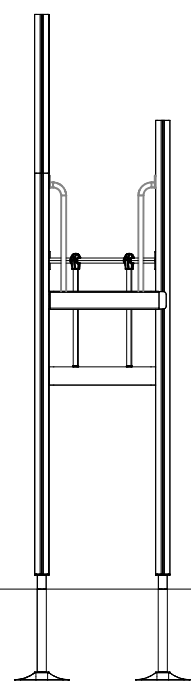
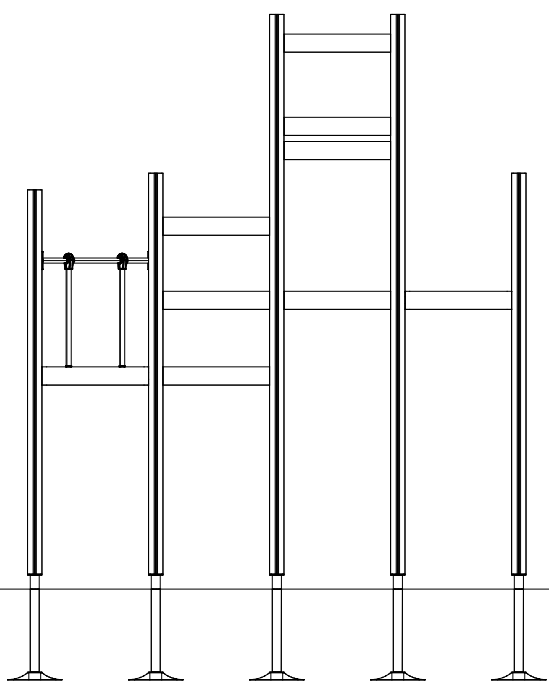
A

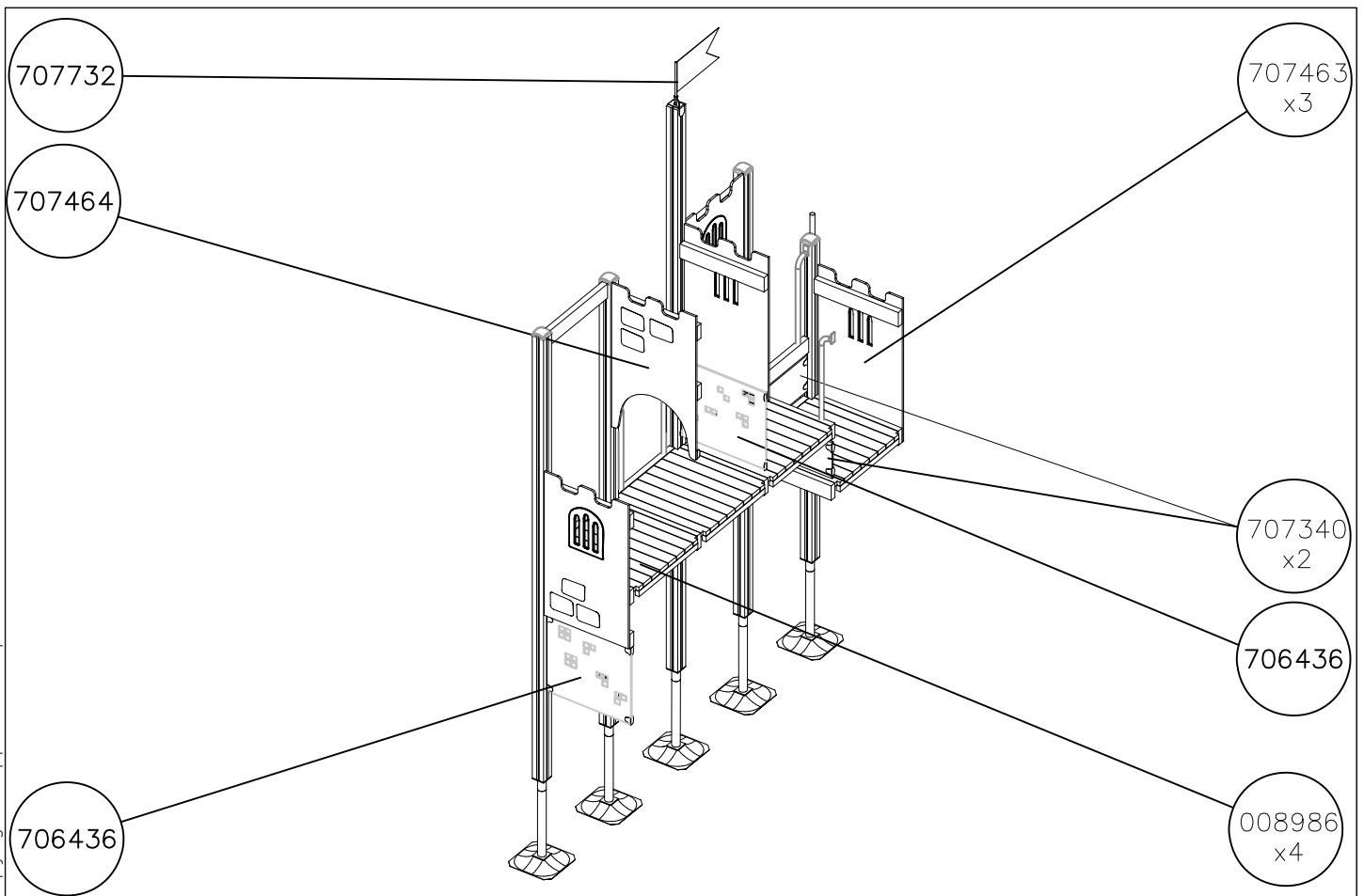
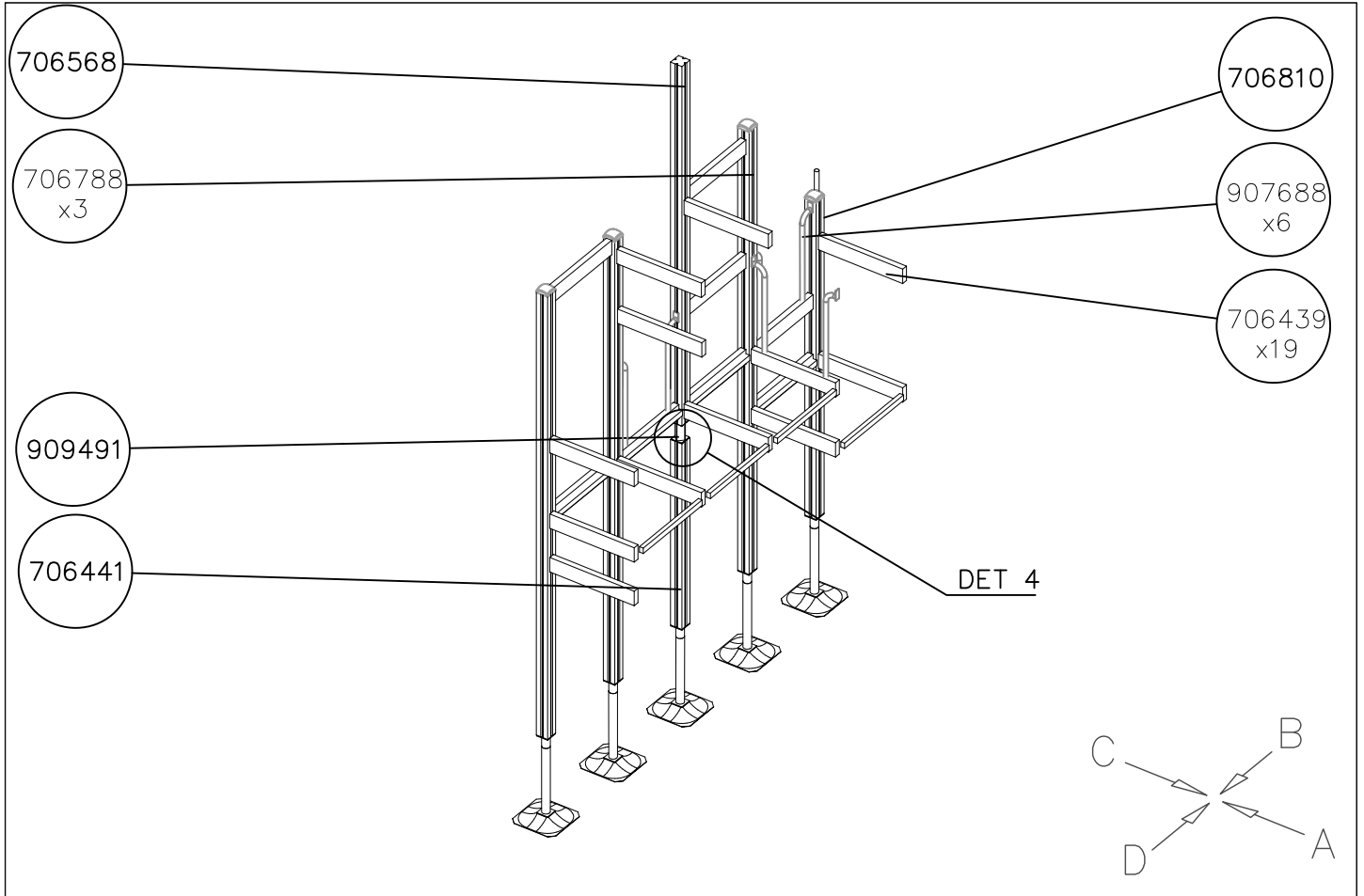
B



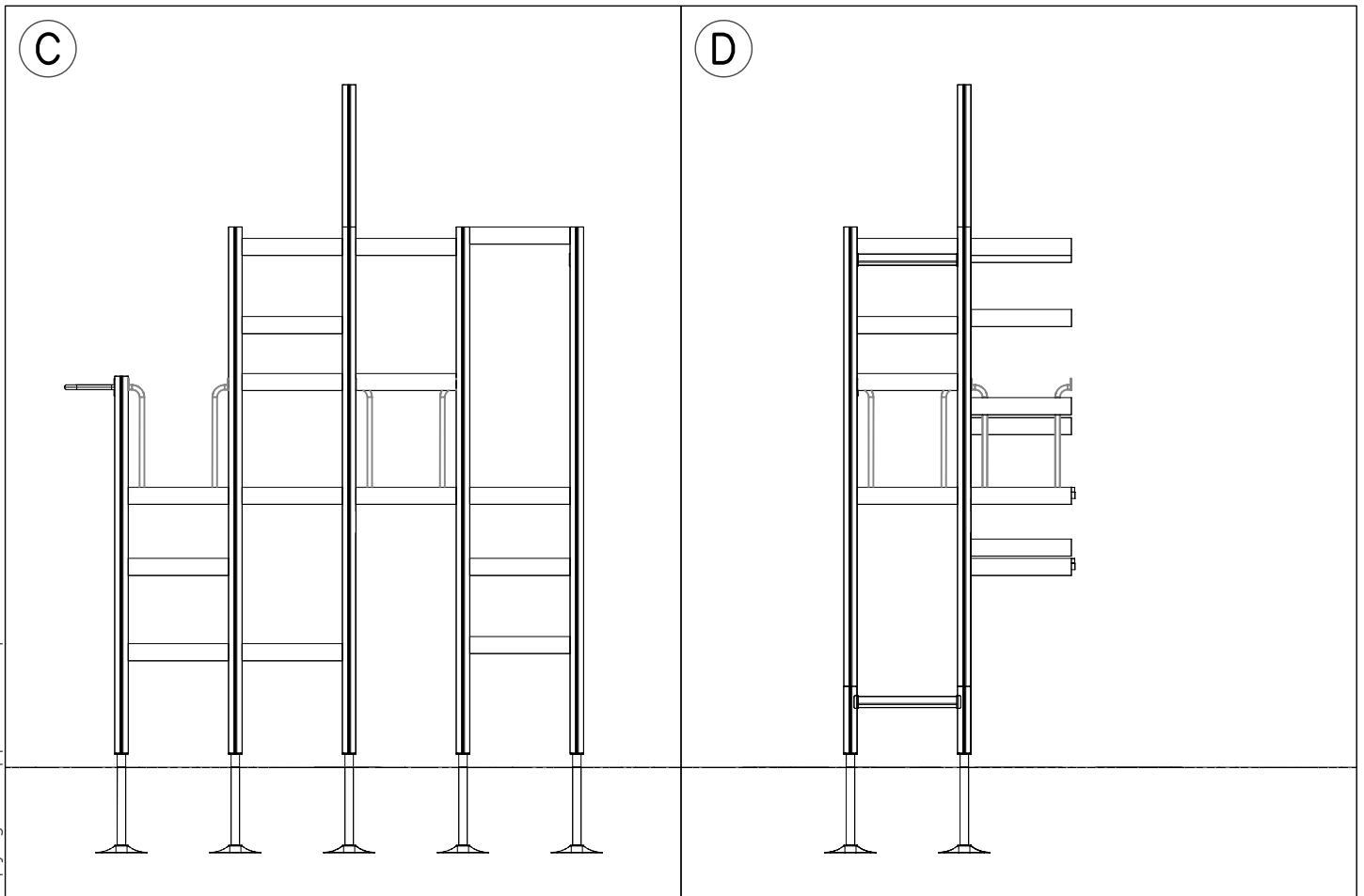
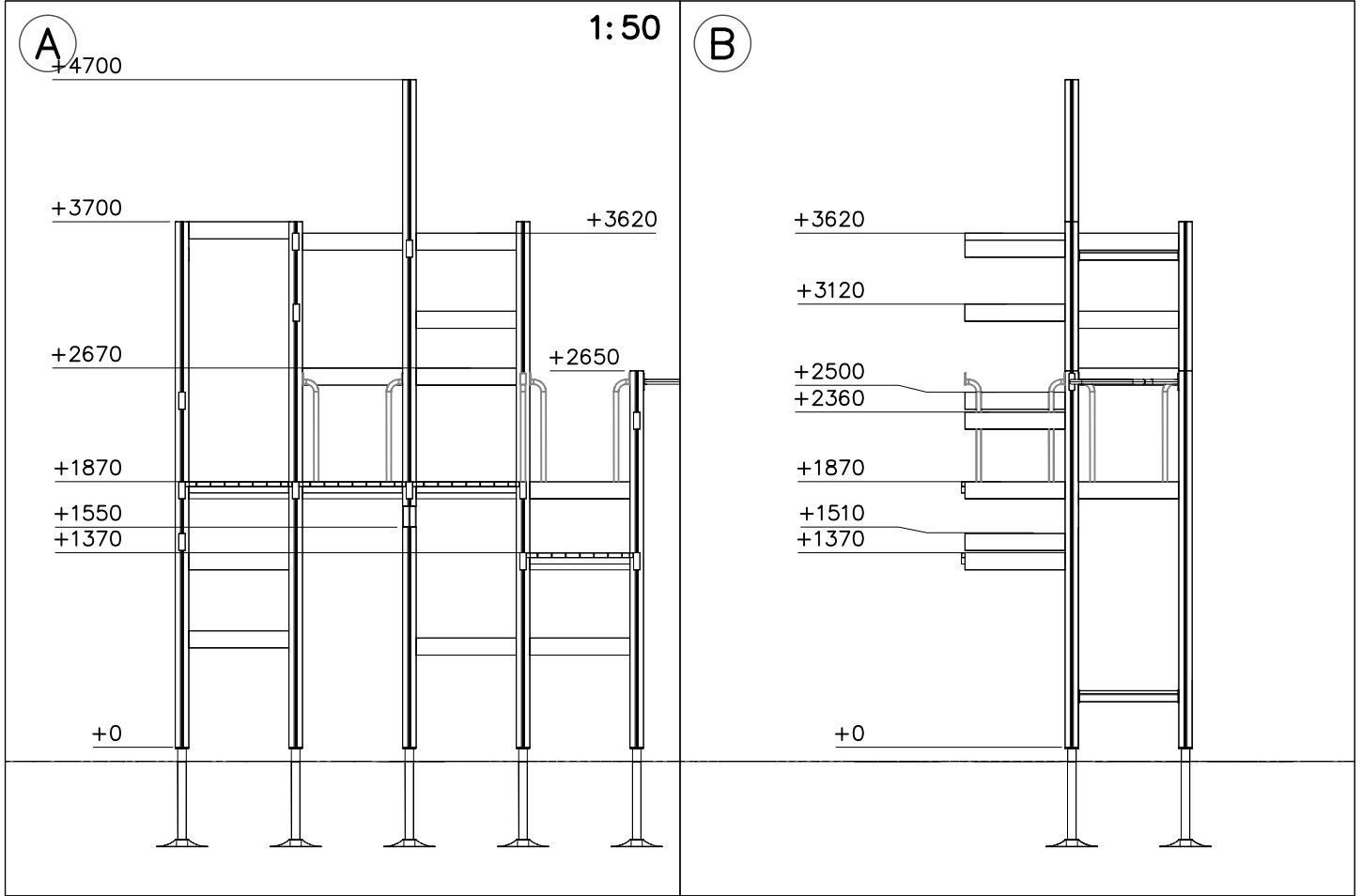
C

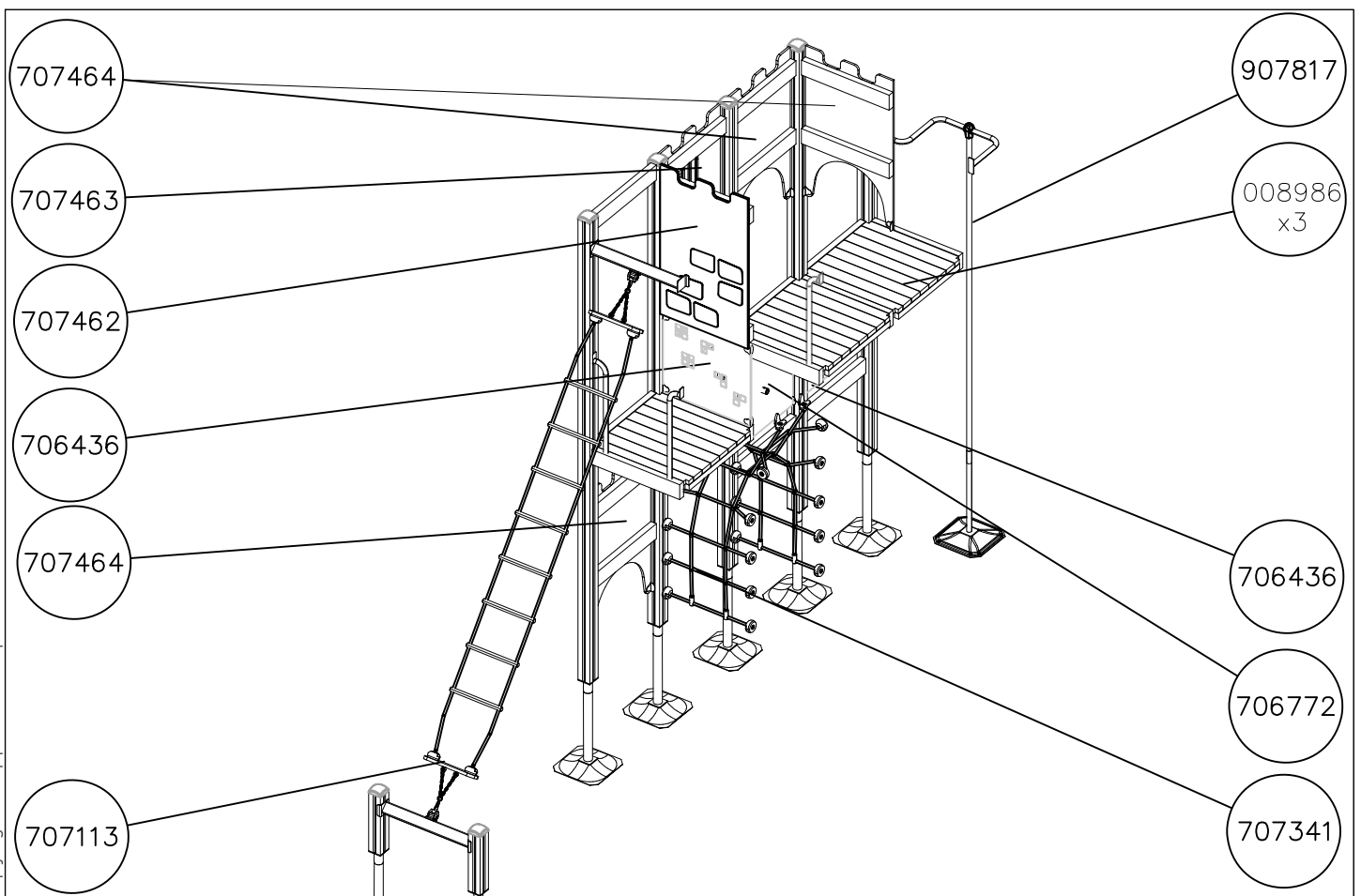
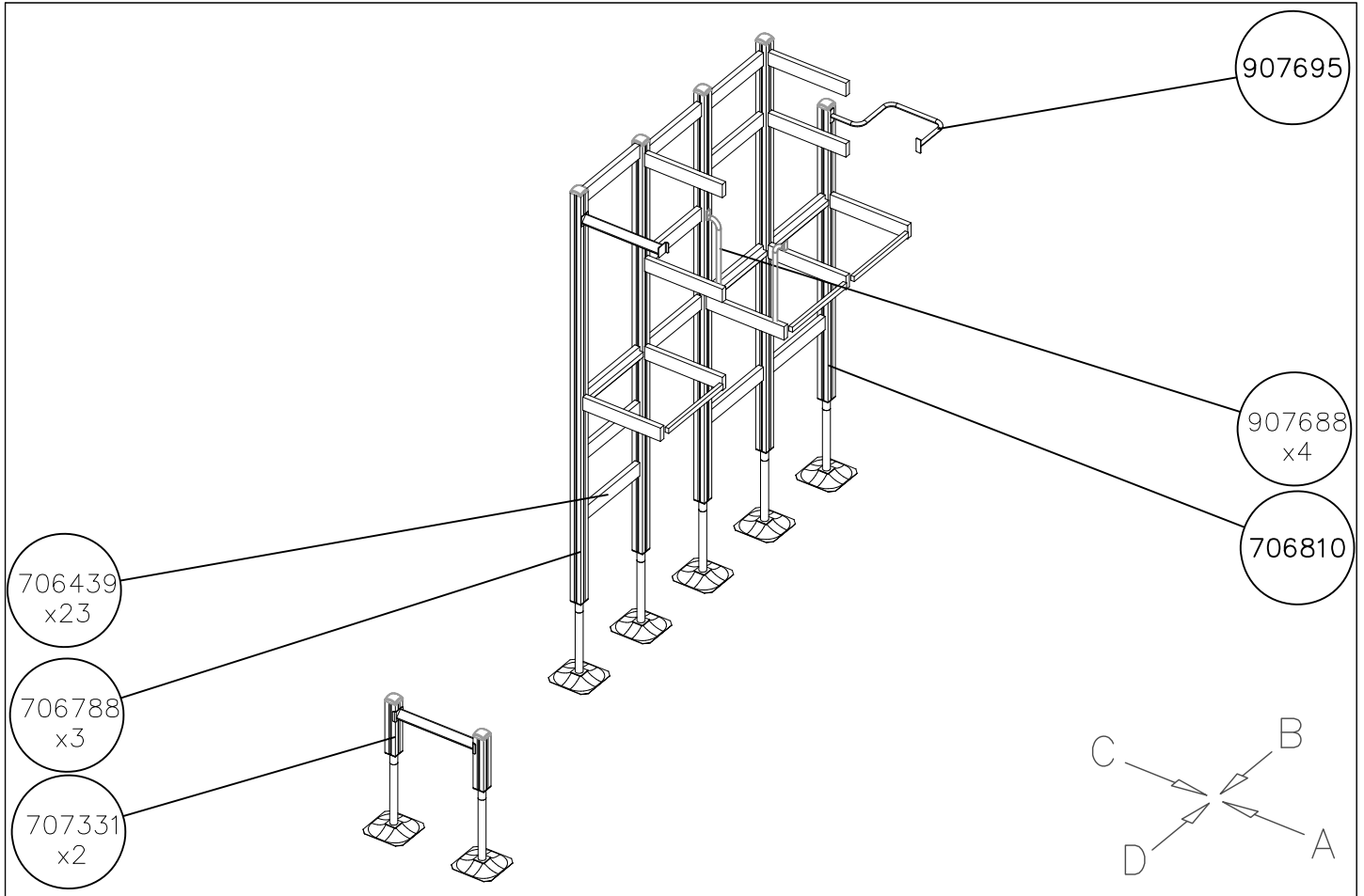
D



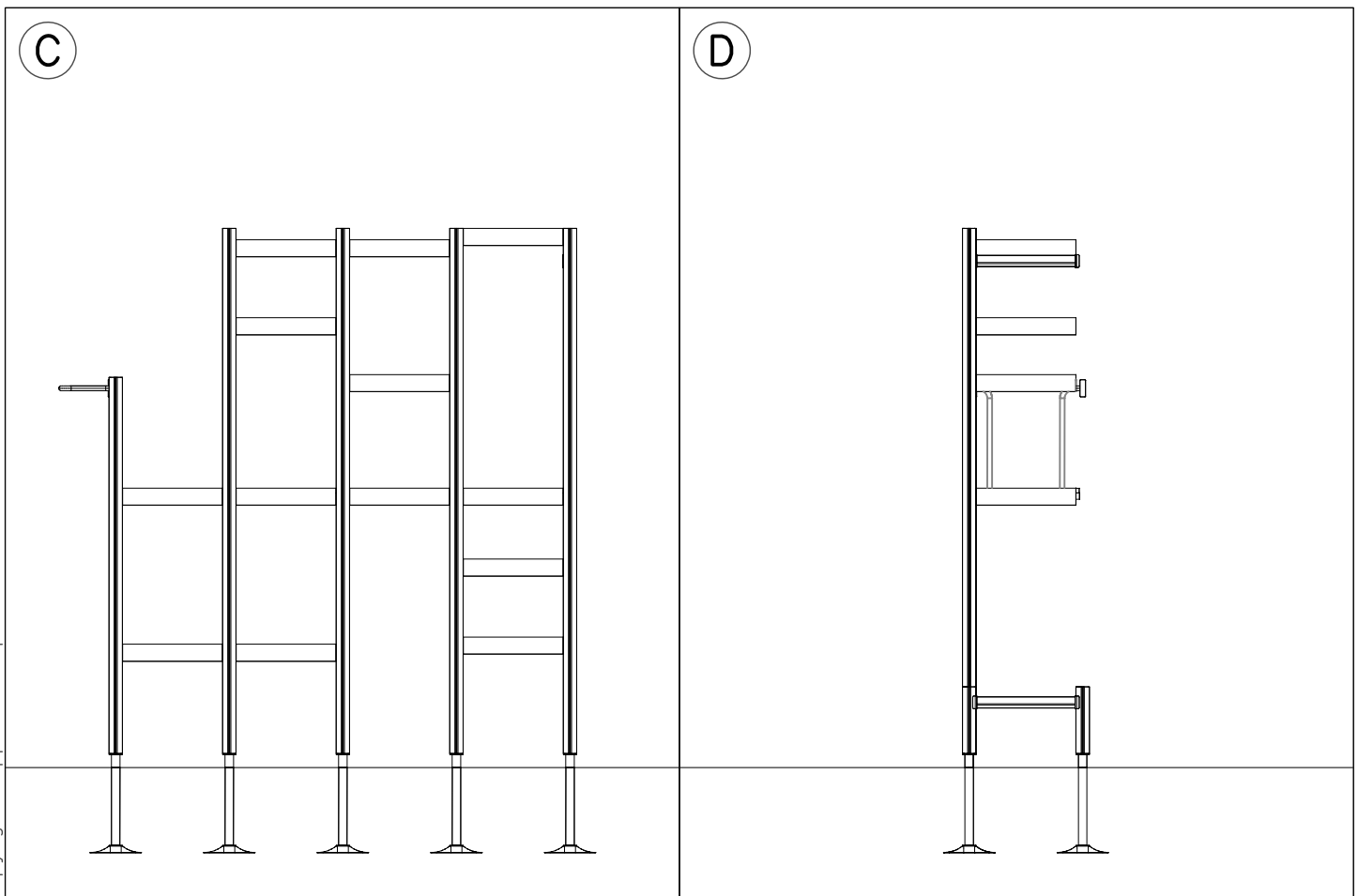
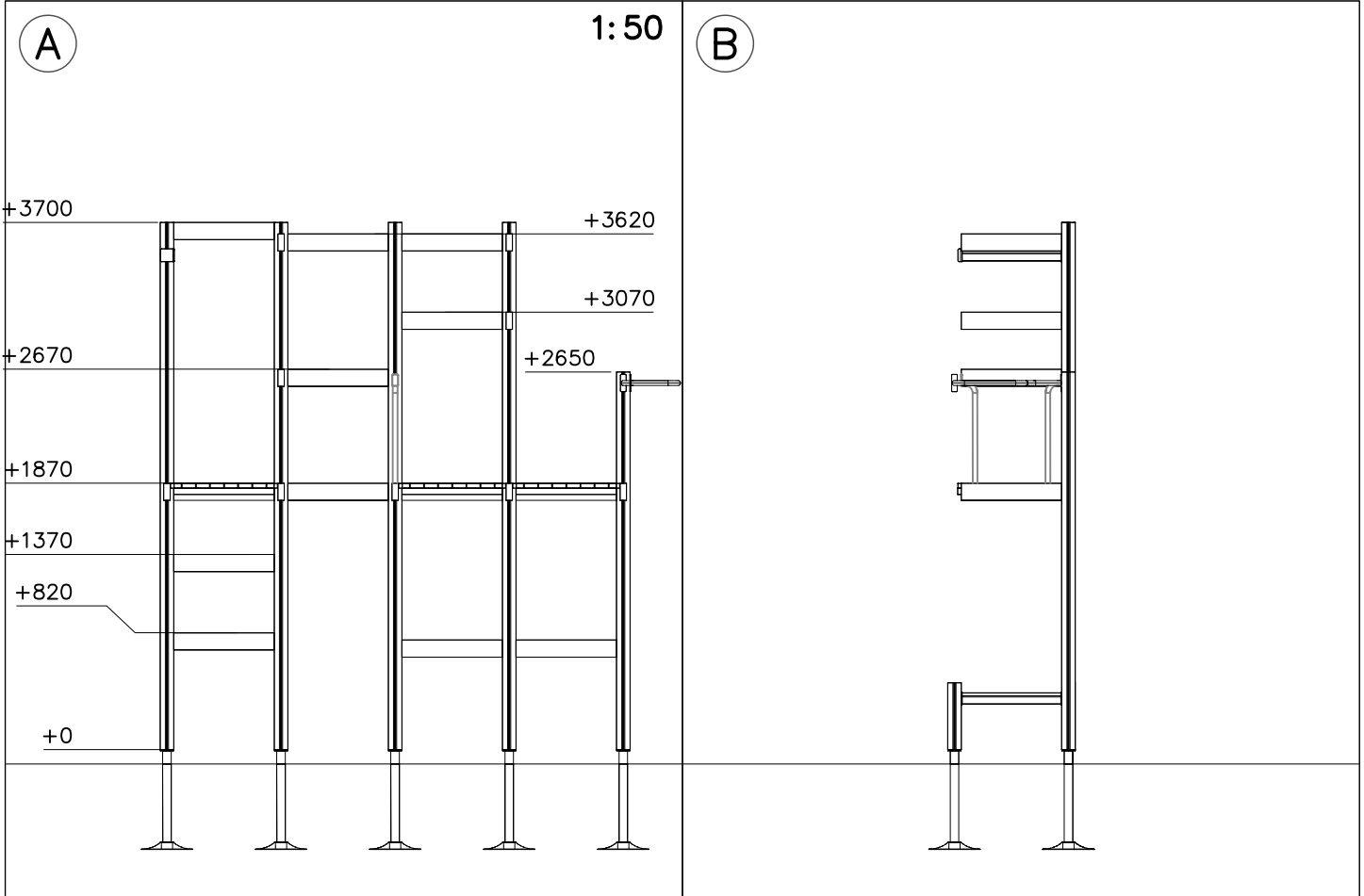


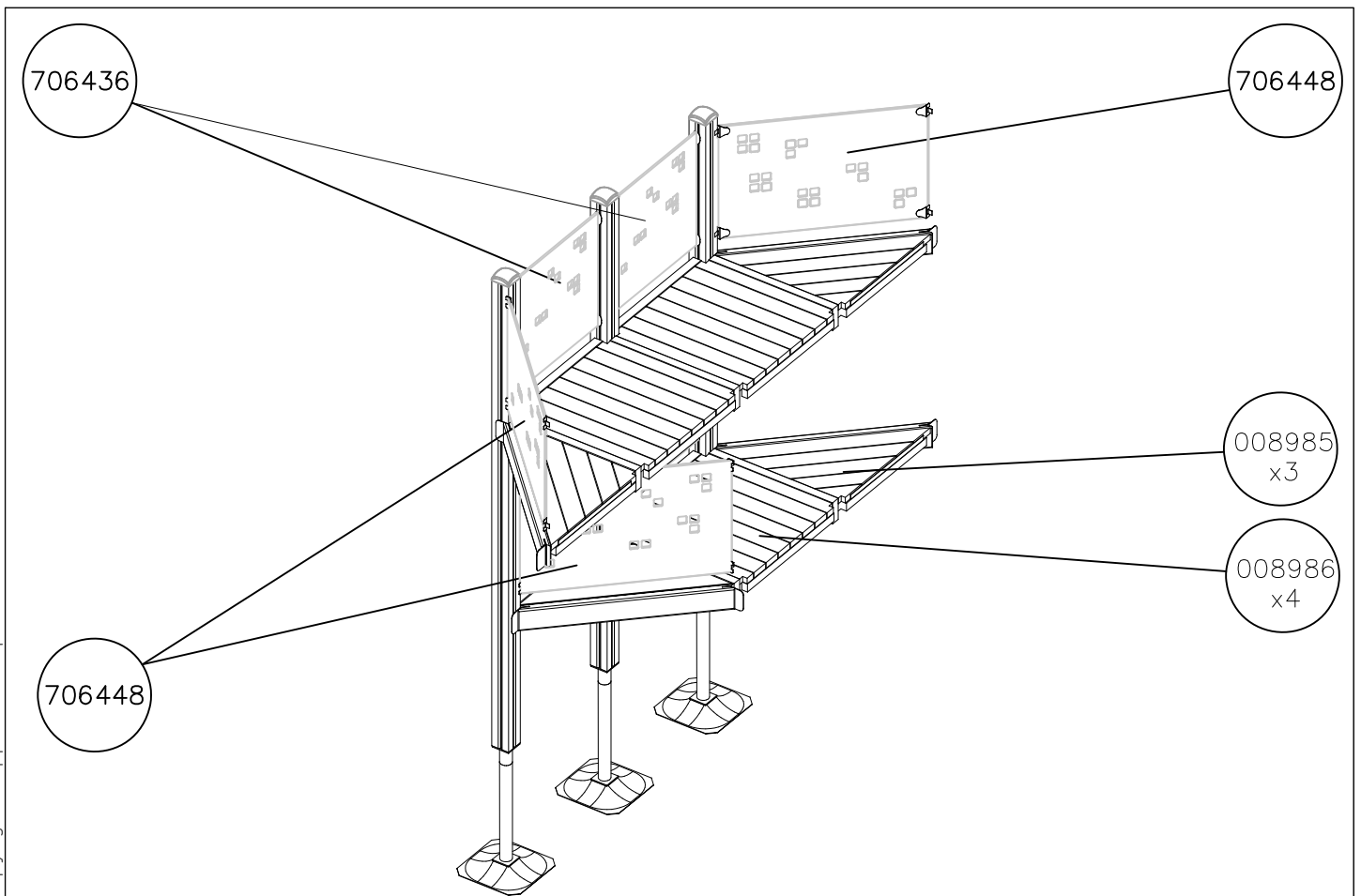
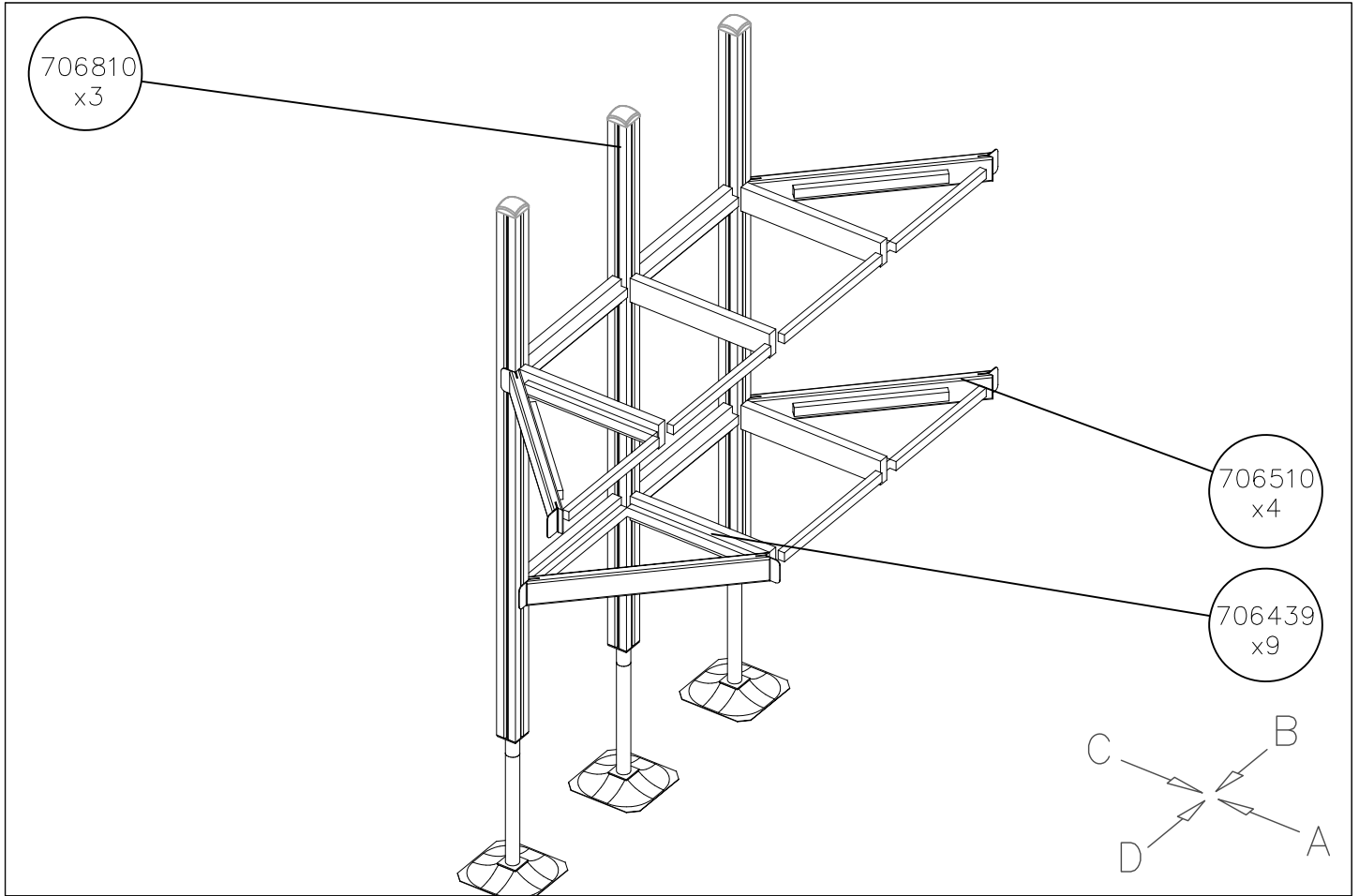
1:50





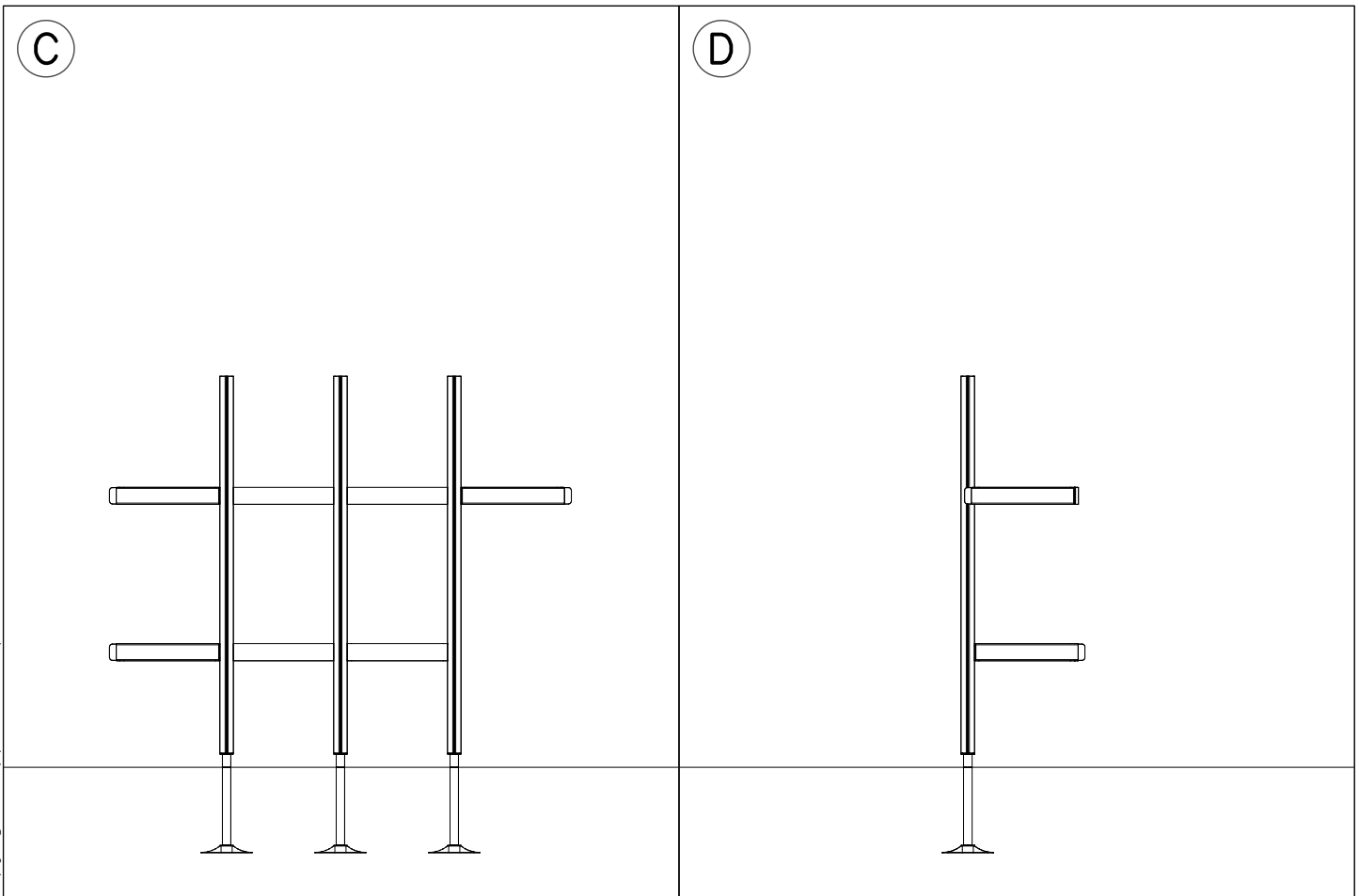
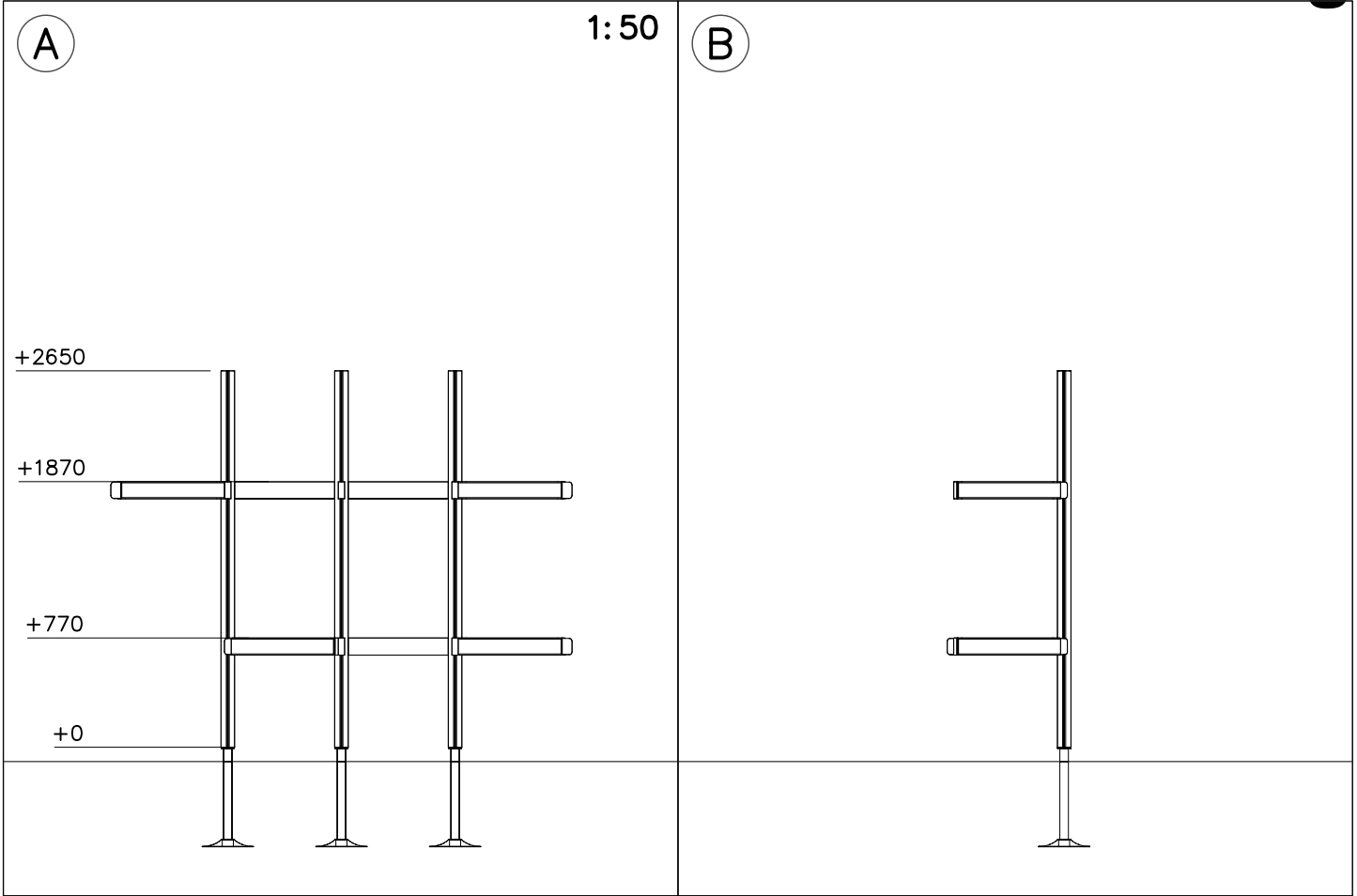
1:50

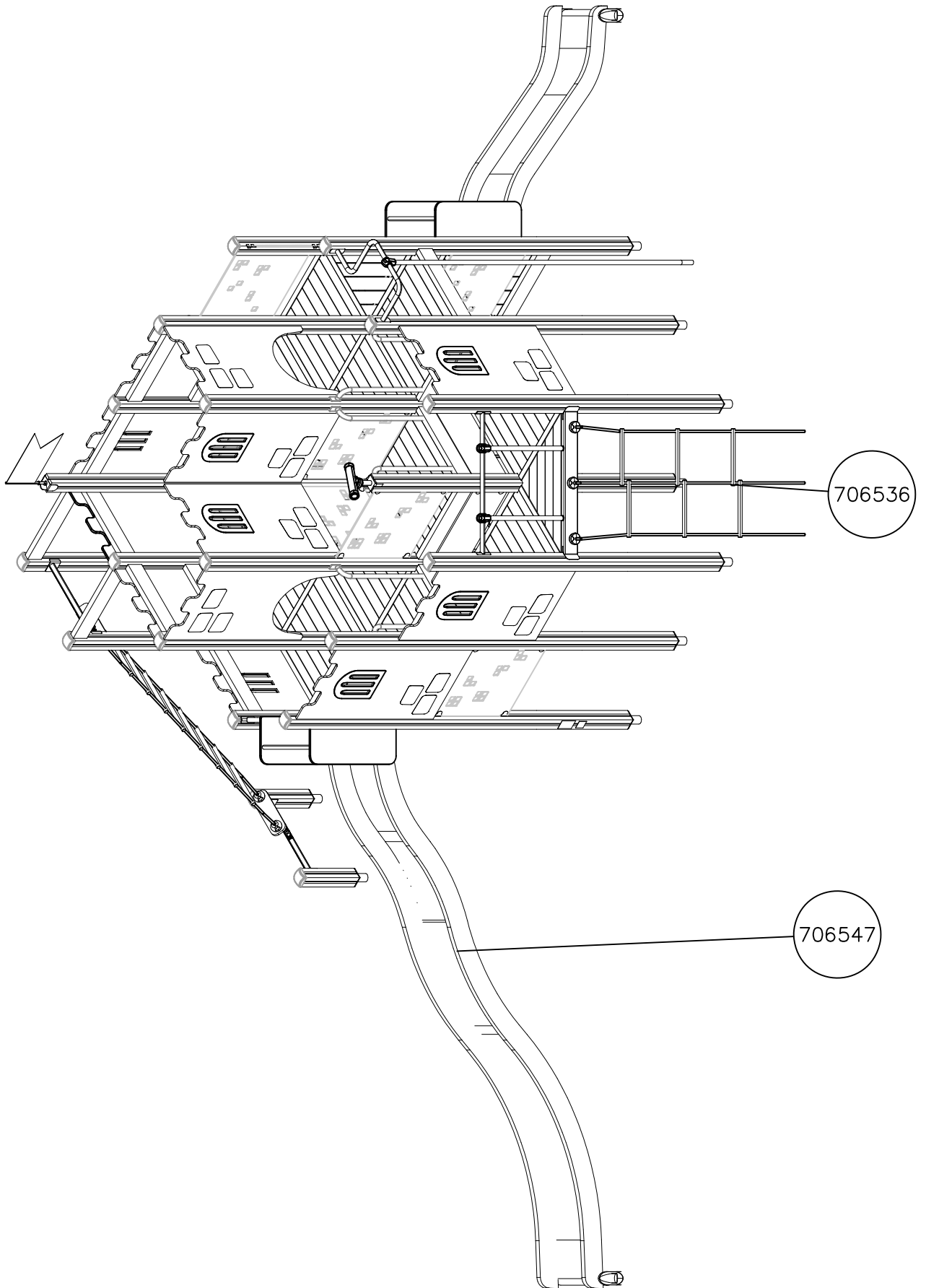


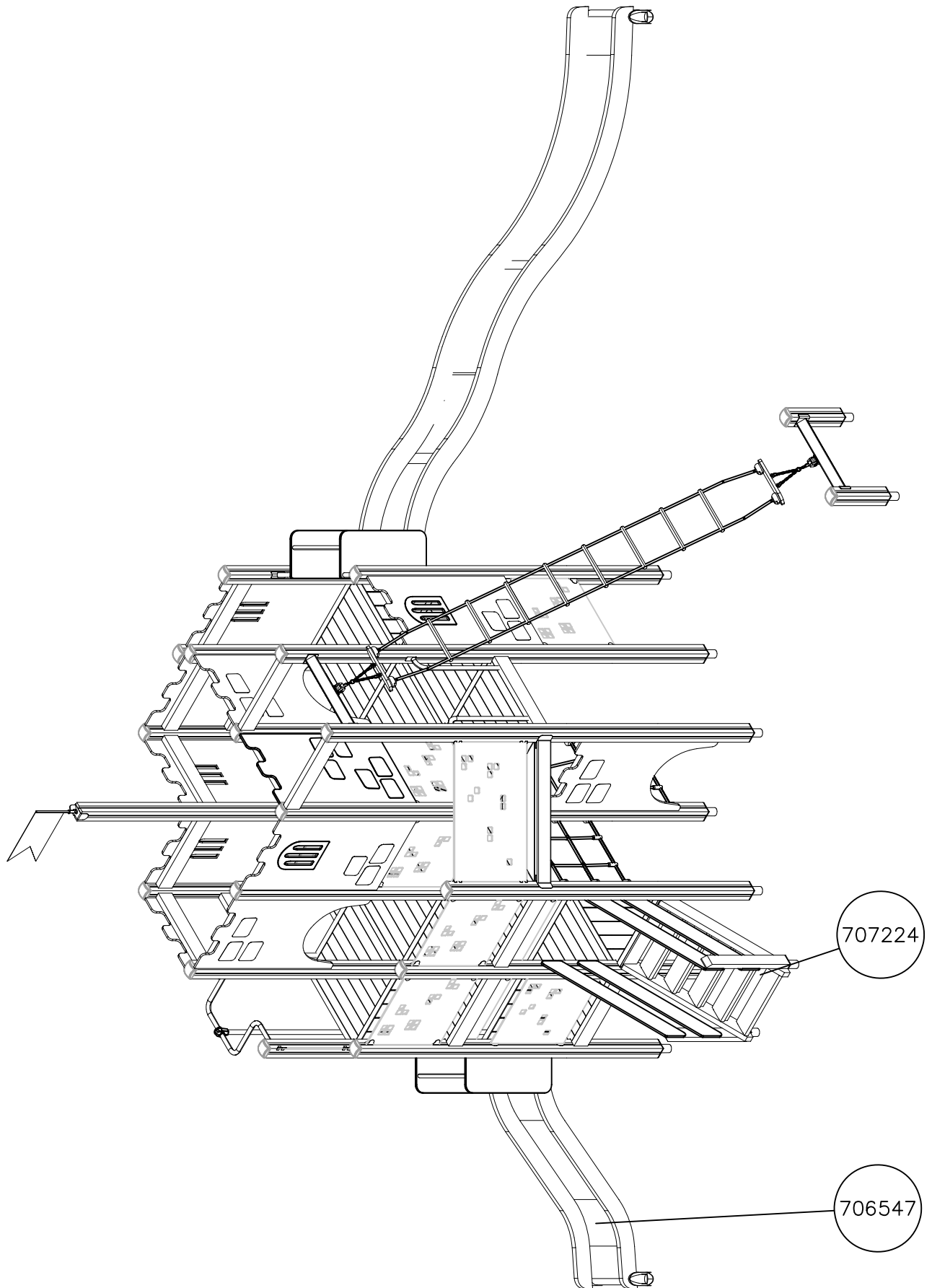


DATE: 26.5.2020

1:50







LAPPSET®
DEEP FOUNDATION

FOOT

DATE: 13.3.2014

4A



LAPPSET®
BETON FOUNDATION

FOOT

DATE: 27.10.2015

1(1)

② 905104	PCS		PCS
	4		
 M10	PCS		PCS



905104


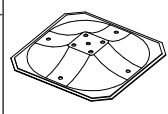
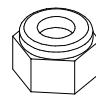
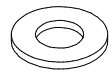
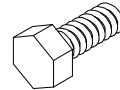
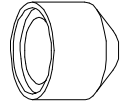

LAPPSET® DEEP FOUNDATION

FOOT

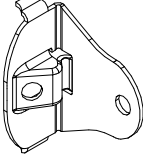
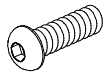
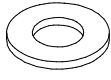
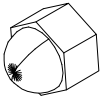

DATE: 15.5.2018

1(1)



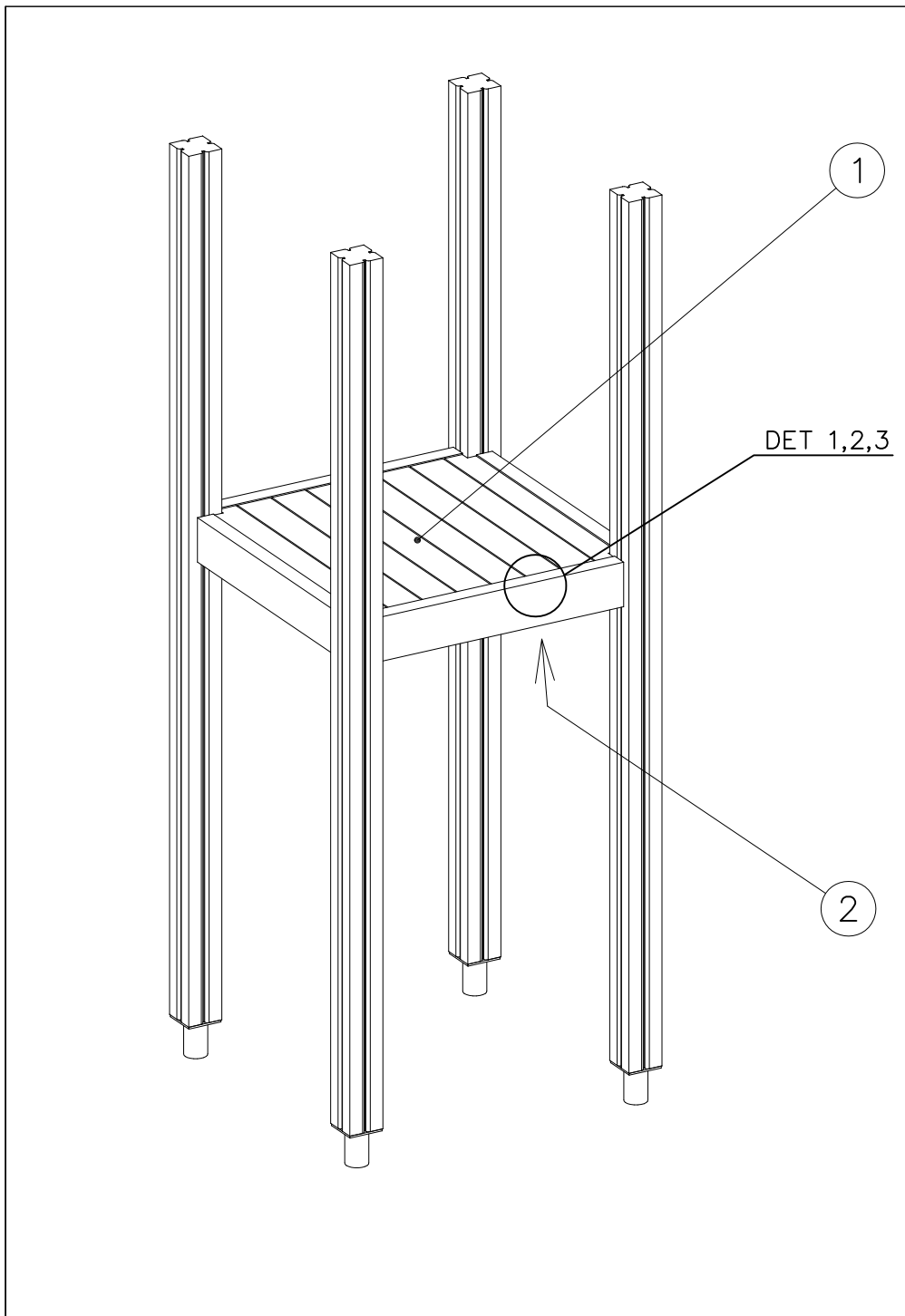
①	909511	PCS	②	909519	PCS
		1			1
	90x90x650			50x380x380	
③	909637	PCS	④	909638	PCS
		4			8
	M10			Ø20/10.5	
⑤	909639	PCS	⑥	905104	PCS
		4			4
	M10x25			M10	
OPTION FOOT					
①	911155	PCS			PCS
		1			
	90x90x650				

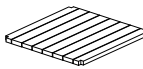
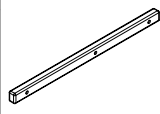
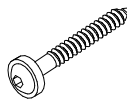



① 903176	PCS	② 909850	PCS
	4		4
		M8x25	
③ 909256	PCS	④ 909633	PCS
	8		4
Ø16/8.4x1.6		M8	
⑤ 980123	PCS		PCS
	4		
Ø7x60			
	PCS		PCS







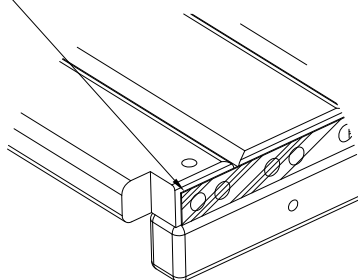
① 008986	PCS	② 706443	PCS
	1		2
750x750		32x45x702	
③ 900240	PCS	④ 980101	PCS
	6		8
Ø8x70		Ø4.5x70	
	PCS		PCS
	PCS		PCS
	PCS		PCS

DET 1

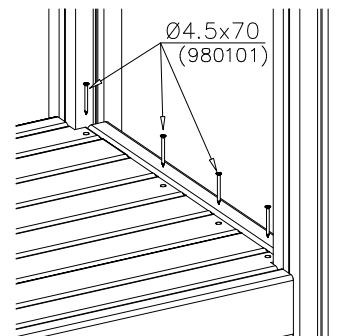


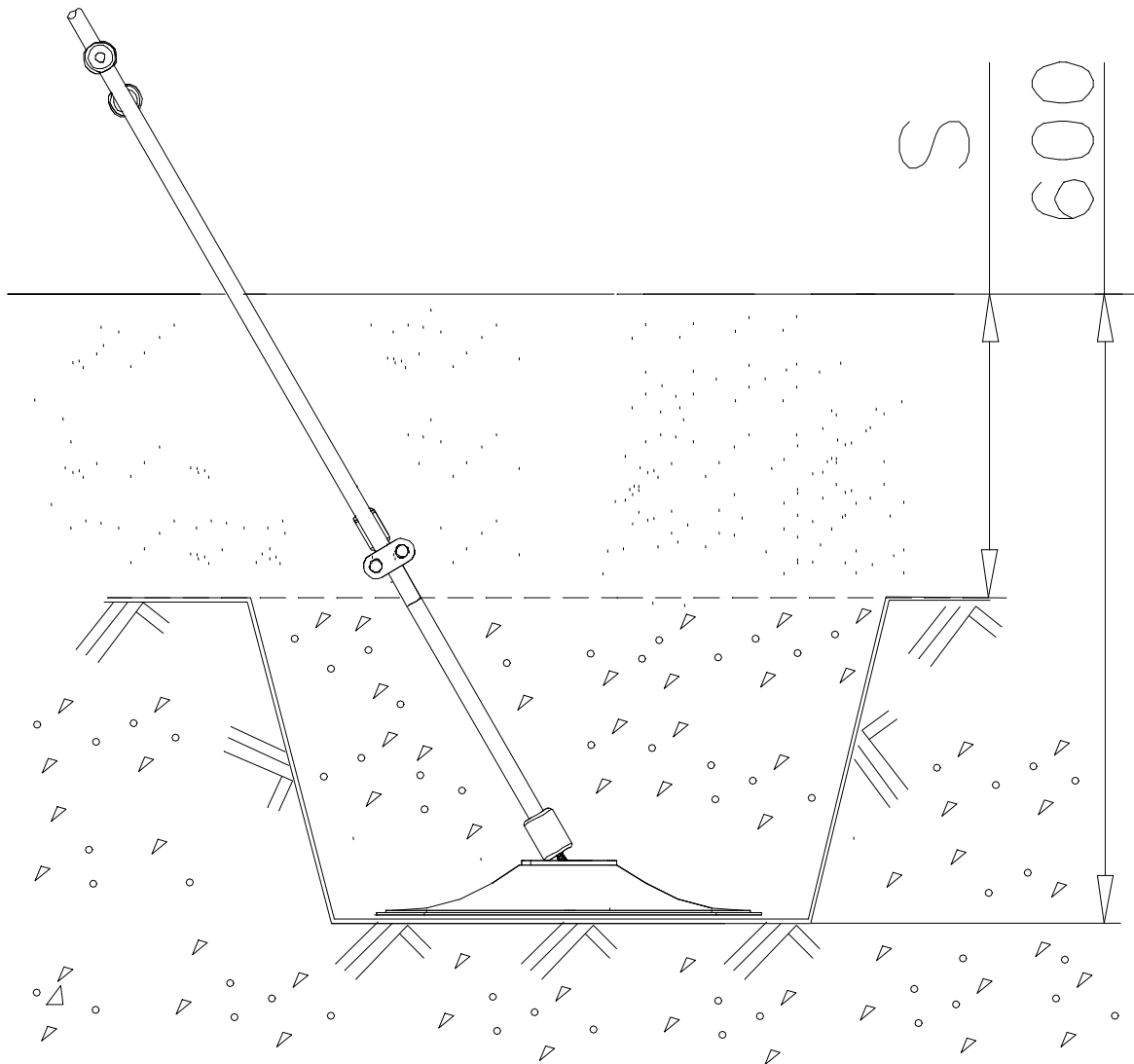
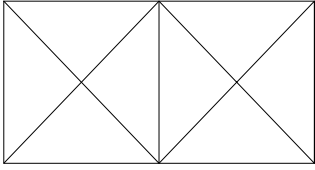
DET 2

Naulanauha kannatinlistan puolelle.
Nail list to the bottom.



DET 3





LAPPSET® DEEP FOUNDATION

ROPE LADDER

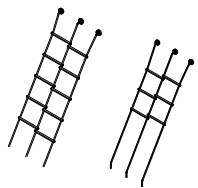
DATE: 30.6.2016

1(1)

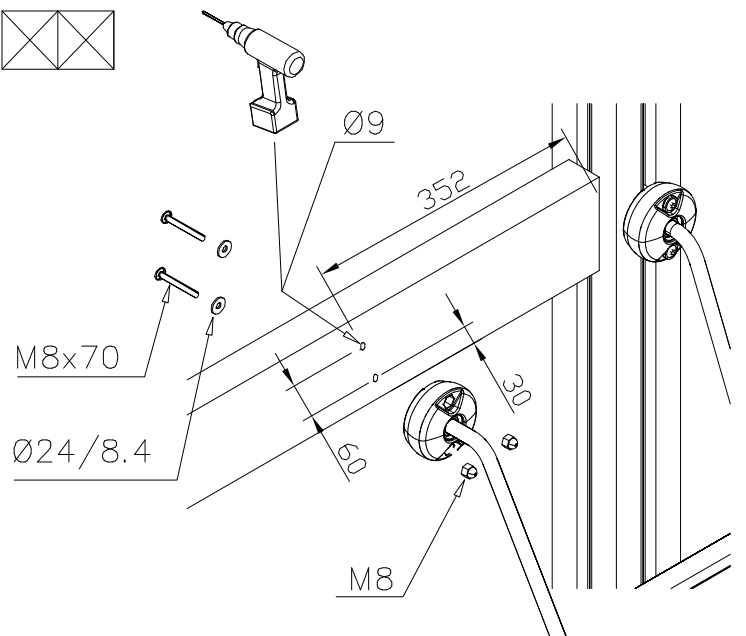
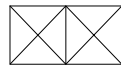
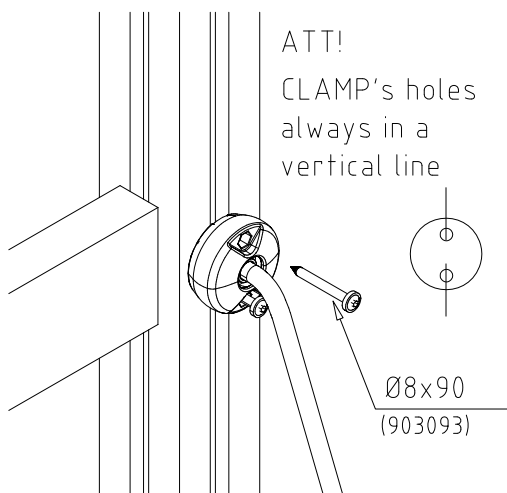
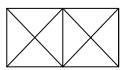
① 905051	PCS	② 909519	PCS
	2		2
Ø24/8.4		50x380x380	
③ 909867	PCS	④ 909633	PCS
	2		2
M8x70		M8	
⑤ 903093	PCS		PCS
	4		
Ø8x90			
○ 706462	PCS	○ 707393	PCS
	1		1
+1470		+1970	

M12
(909248)

ROPE LADDER COLOR OPTIONS



xxxxxx-301	BLUE
xxxxxx-302	RED
xxxxxx-303	BEIGE
xxxxxx-304	GRAY
xxxxxx-305	BLACK
xxxxxx-306	YELLOW





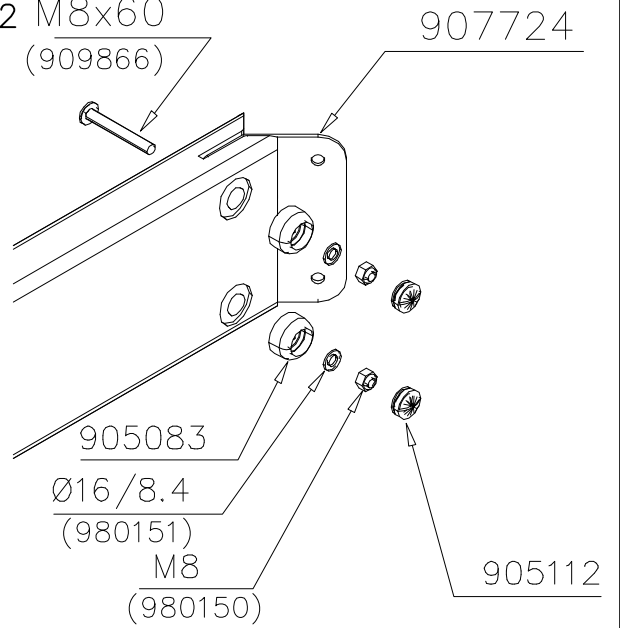


BOOM OPTIONS		
706510	706510-602	DARK BROWN
	706510-603	LIGHT BROWN
	706510-604	LIGHT GRAY
45x120x1030		

DET 1



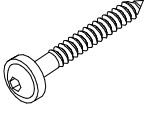
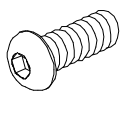
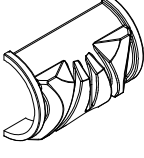

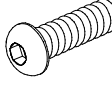

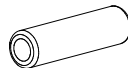




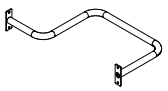
DET 2 M8x60
(909866)



DET 3

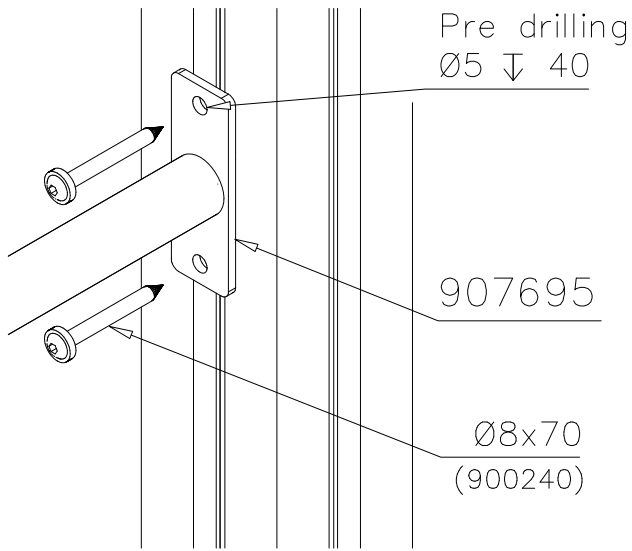




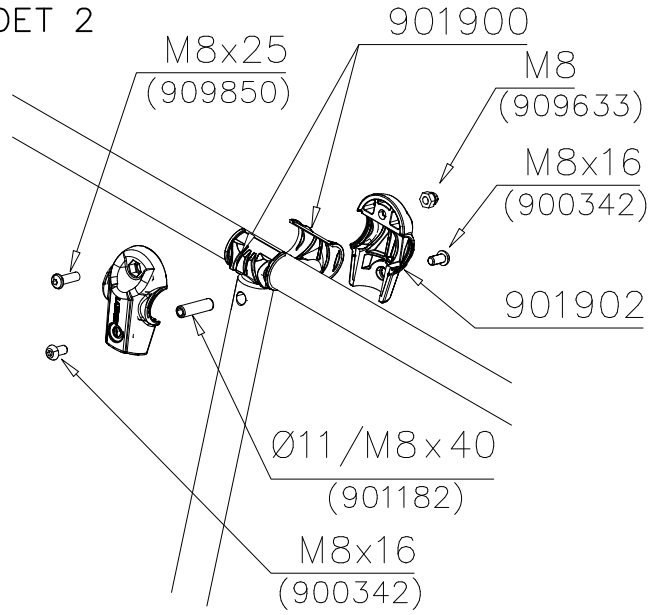
① 900240	PCS	② 900342	PCS
	4		2
Ø8x70		M8x16	
③ 901900	PCS	④ 901939	PCS
	2		1
20.5x36.2x56		M12x70	
⑤ 909850	PCS	⑥ 980150	PCS
	1		1
M8x25		M8	
⑦ 901182	PCS	⑧ 901902	PCS
	1		2
Ø11/M8x40		30.7x60.9x100	
	PCS		PCS
	PCS		PCS
○ 907829	PCS	○ 907698	PCS
	1		1
Ø33,7x1454		Ø33,7x2054	
○ 907817	PCS	○ 907695	PCS
	1		1
Ø33,7x2554			



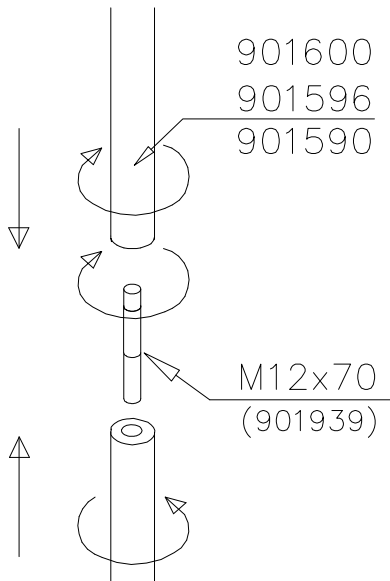
DET 1



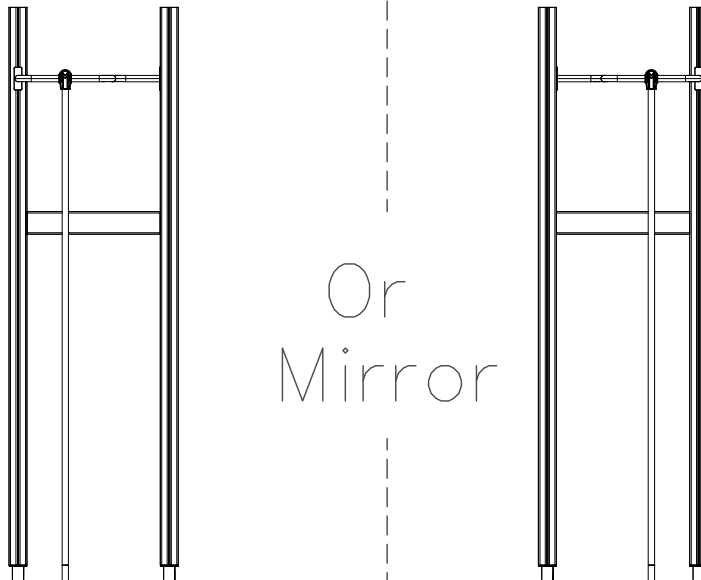
DET 2



DET 3



DET 4

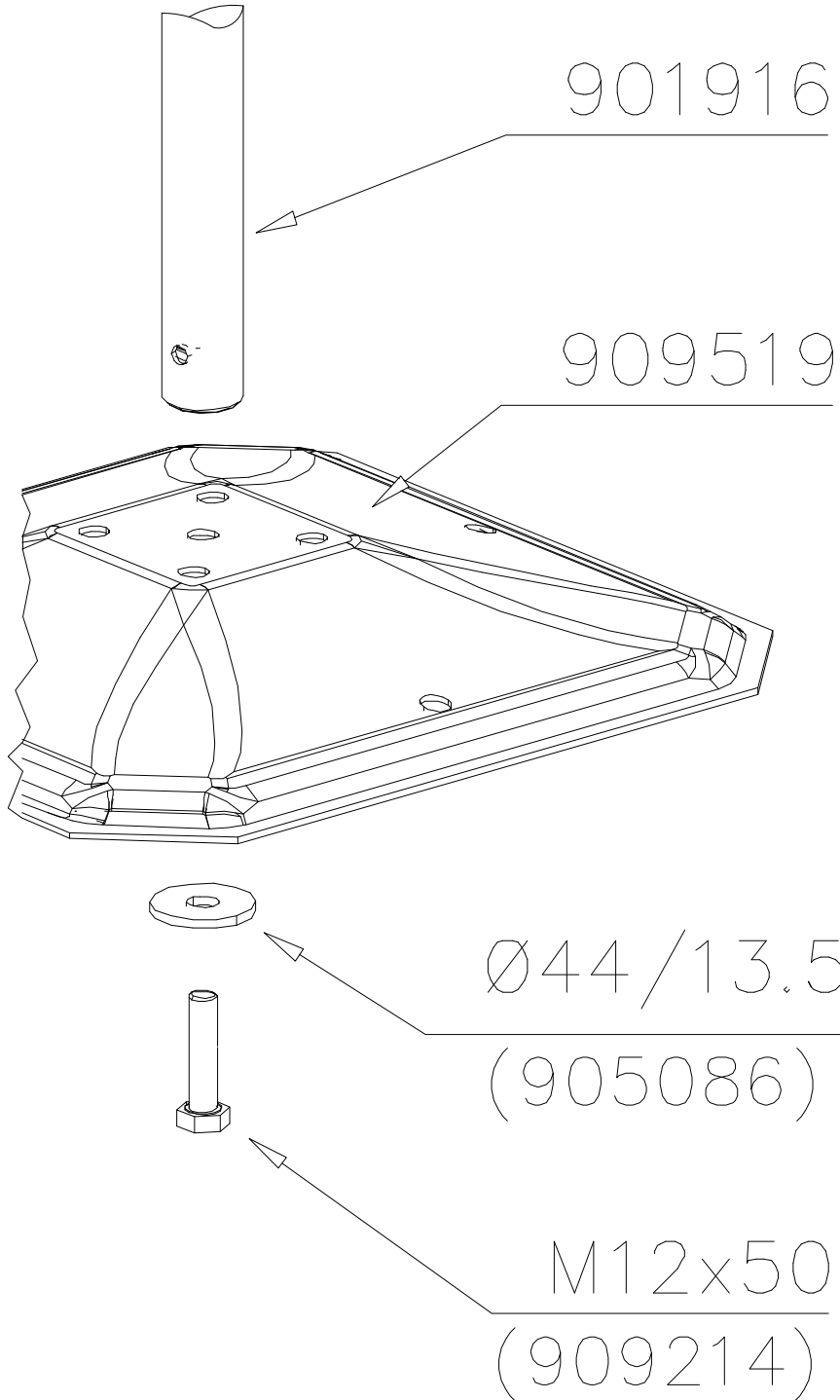


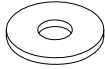
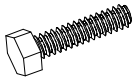
LAPPSET® DEEP FOUNDATION

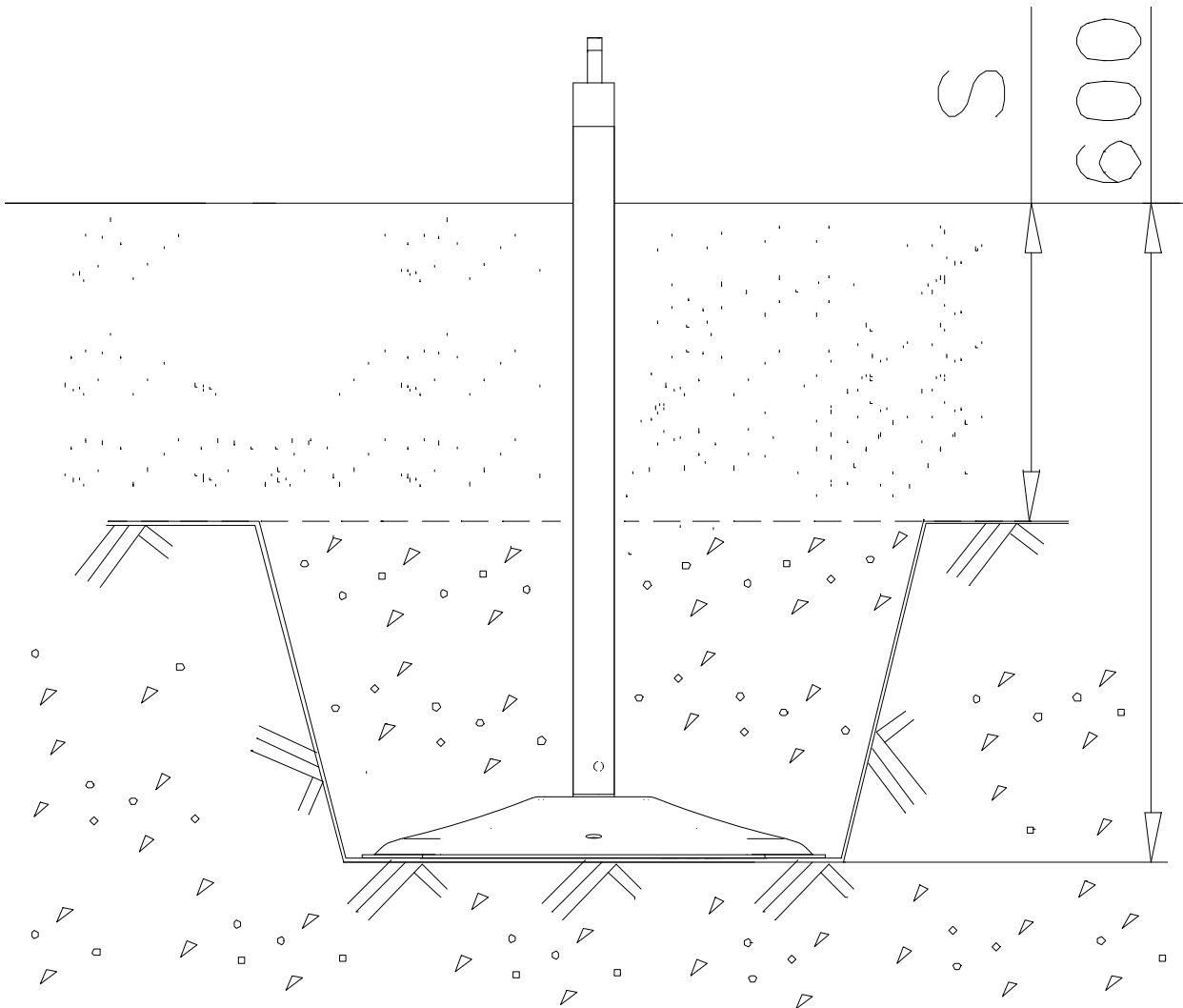
POLE

DATE: 15.5.2014

1(1)



①	905086	PCS	②	909214	PCS
		1			1
	Ø44/13.5		M12x50		
		PCS			PCS
		PCS			PCS
		PCS			PCS
		PCS			PCS
		PCS			PCS
		PCS			PCS
		PCS			PCS



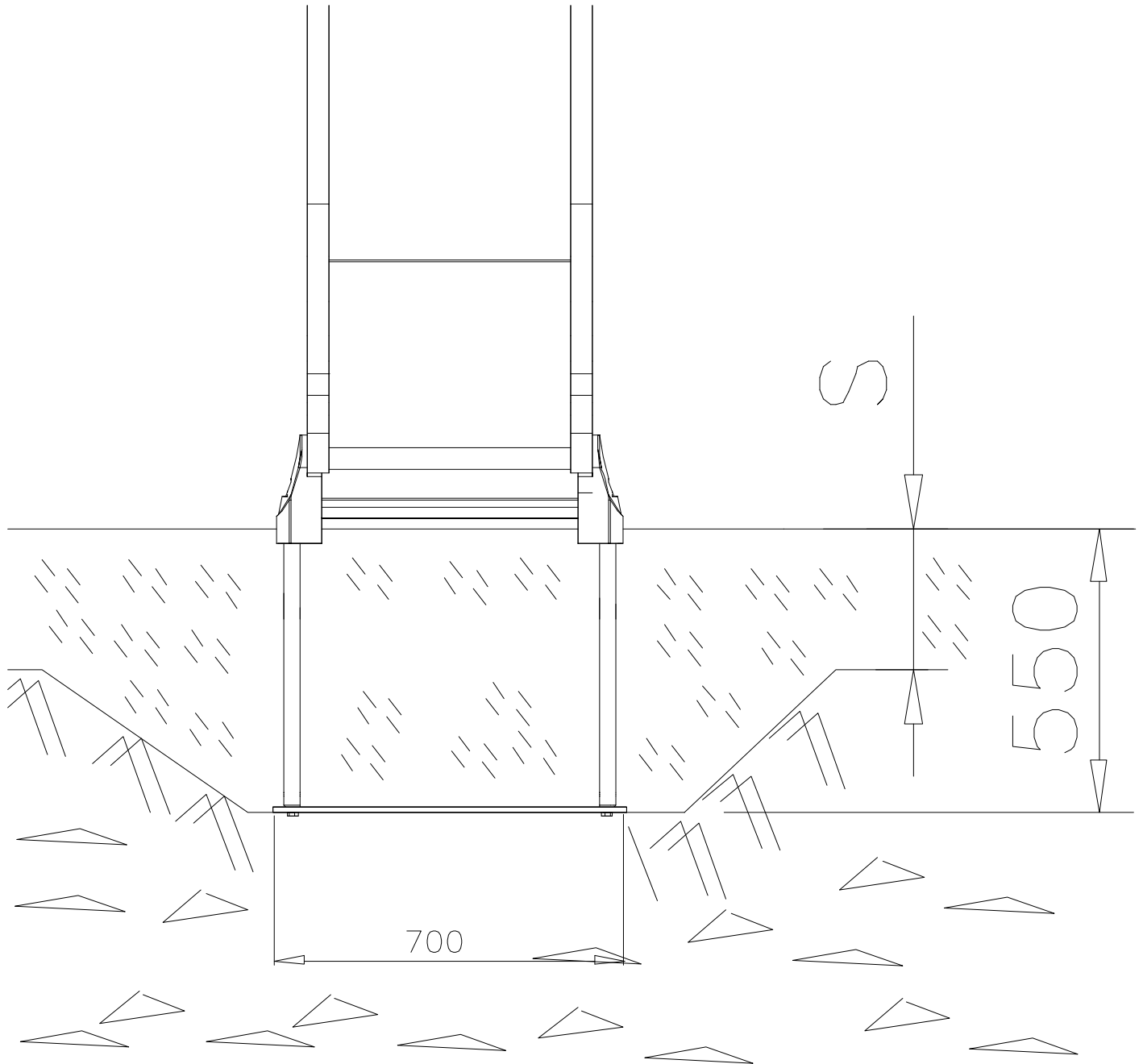
LAPPSET

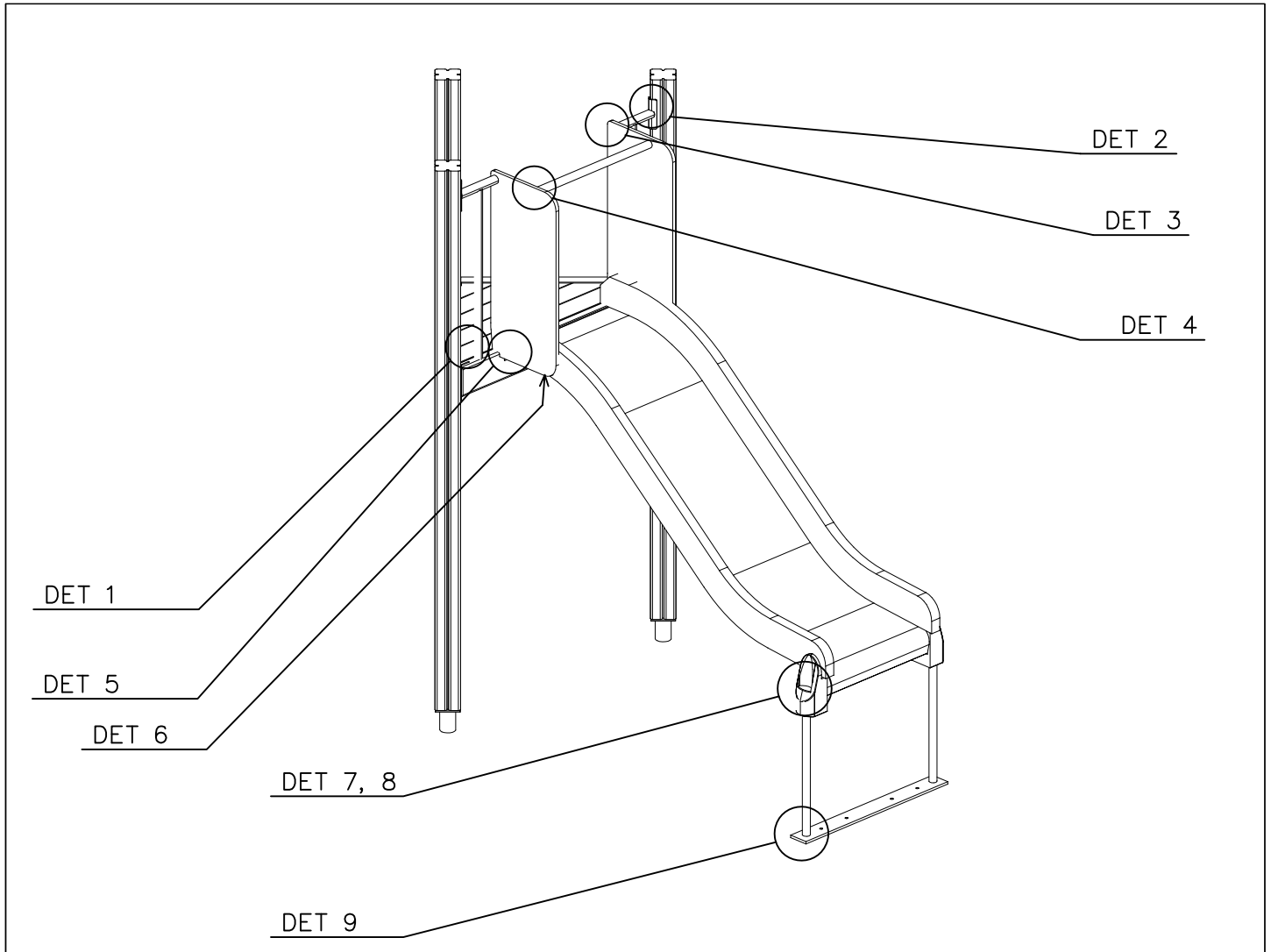
DEEP FOUNDATION

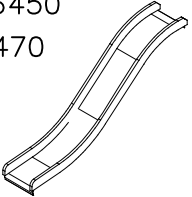
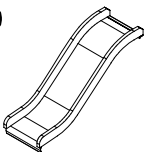
SLIDE WOOD

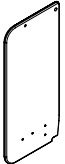
DATE: 22.5.2015

1(1)





SLIDE OPTIONS			
706450 +1470 	706450-602 706450-603 706450-604	DARK BROWN LIGHT BROWN LIGHT GRAY	
706452 +870 	706452-602 706452-603 706452-604	DARK BROWN LIGHT BROWN LIGHT GRAY	

WALL OPTIONS			
706371 	706371-701 706371-702 706371-703 706371-704 706371-705 706371-706	BLUE YELLOW LIME DRARK GRAY LIGHT GRAY RED	706371-707 706371-708 GREEN FUXIA

LAPPSET

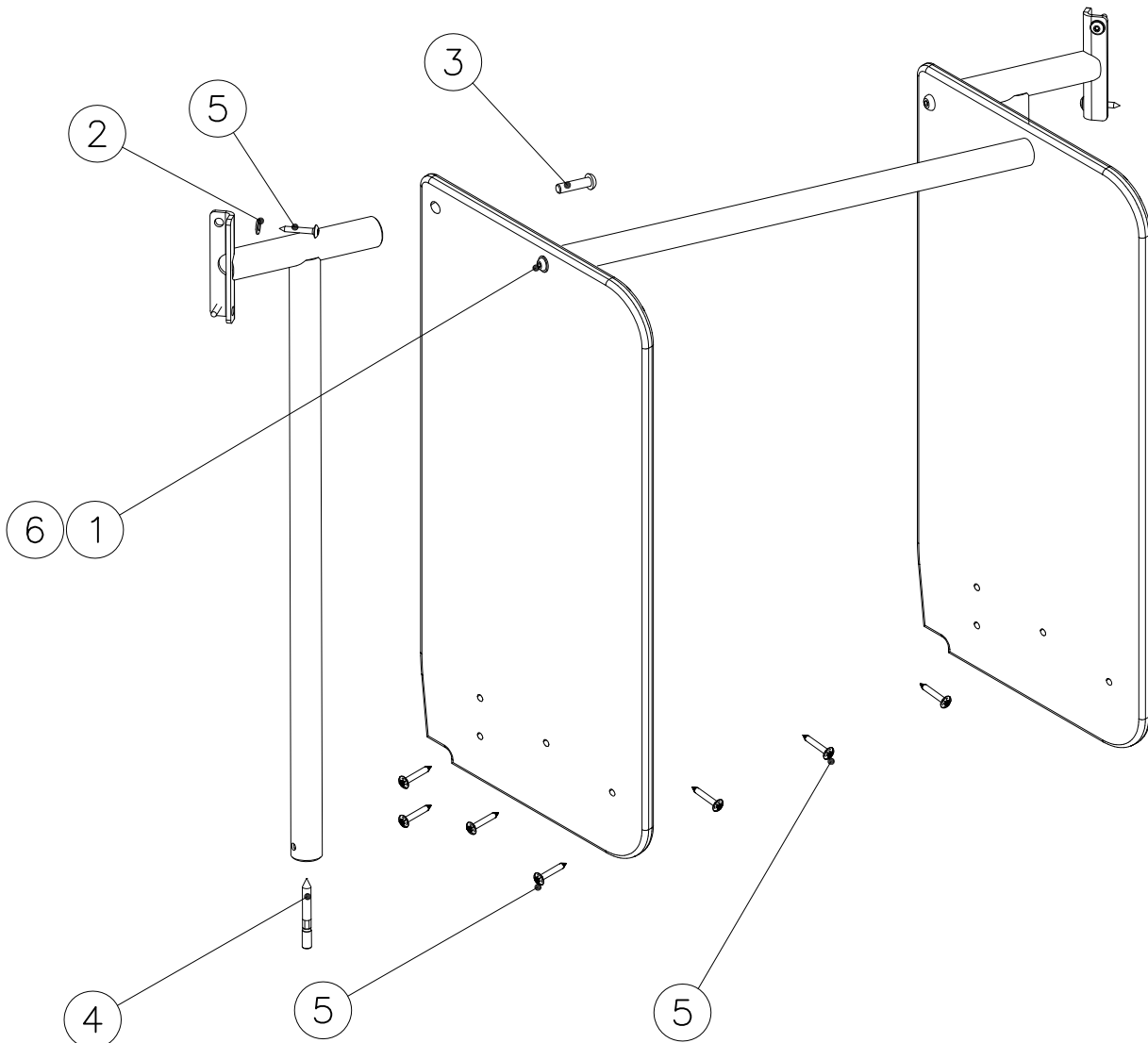
80MD

80MD

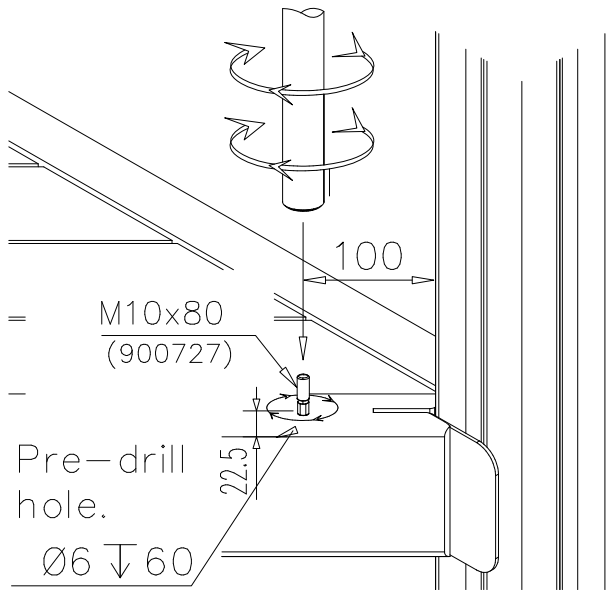
DATE: 21.9.2016

2(5)

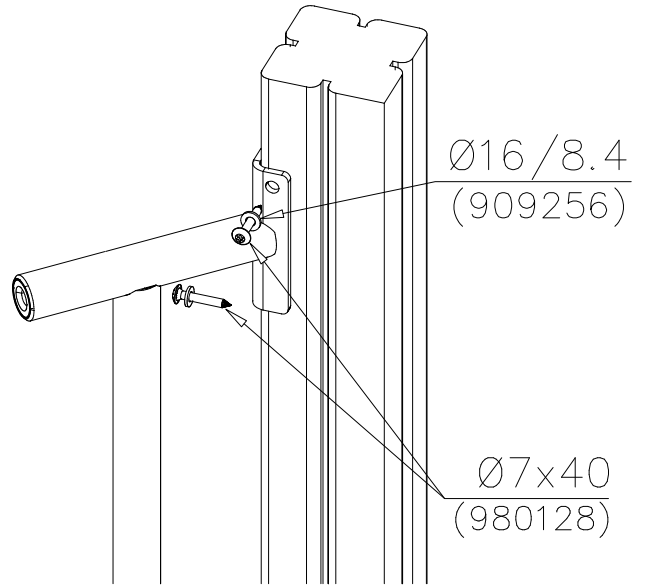
○ SLIDE +1470 PCS 1	○ SLIDE +870 PCS 1	○ 706371 15x345x750 PCS 2	○ 907692 PCS 2	○ 901868 Ø30x598 PCS 1	① 909876 M8x40 PCS 2
② 909256 Ø16/8.4 PCS 4	③ 907727 M10x40 PCS 2	④ 900727 M10x80 PCS 2	⑤ 980128 Ø7x40 PCS 15	⑥ 999561 GLUE 4101 ergo 10 g 10g PCS 1	



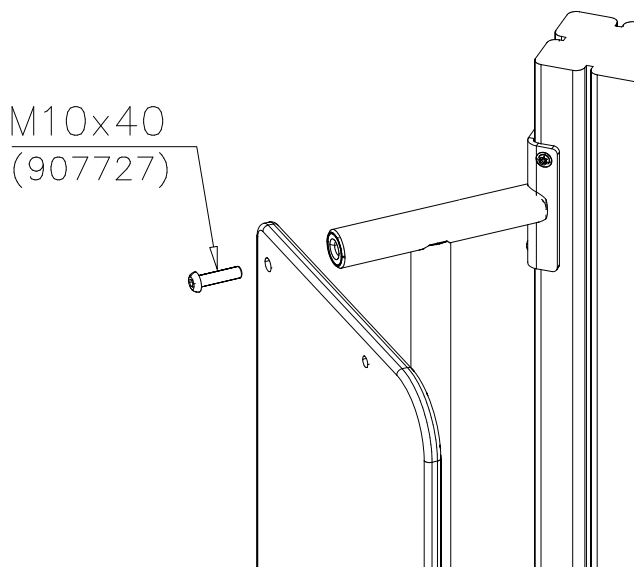
DET 1



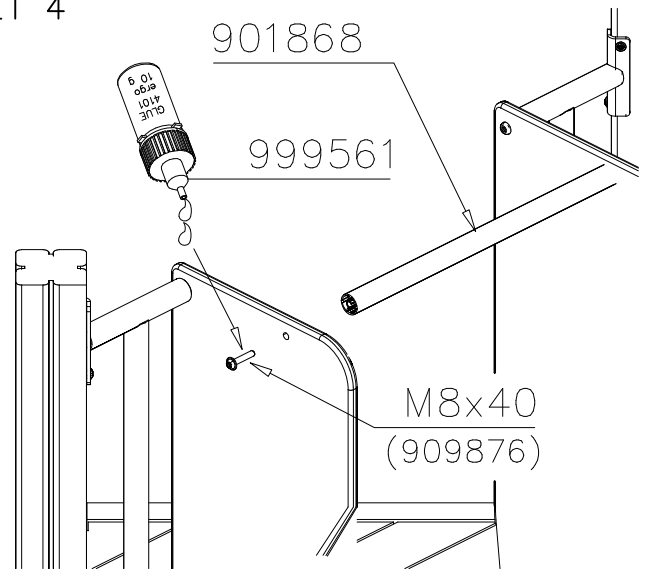
DET 2



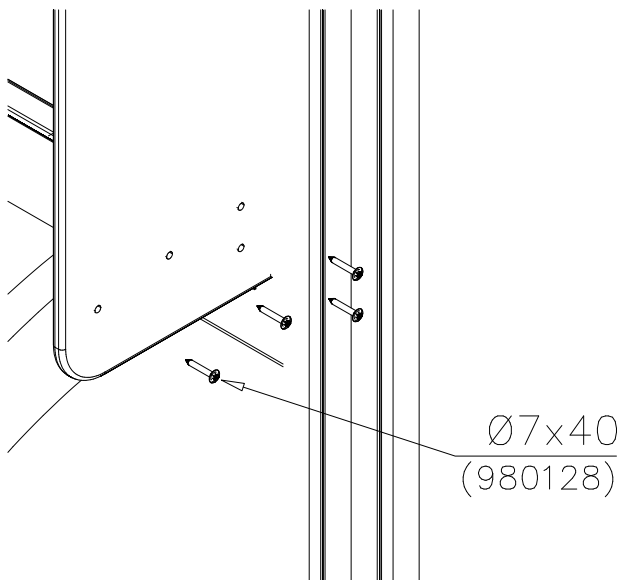
DET 3



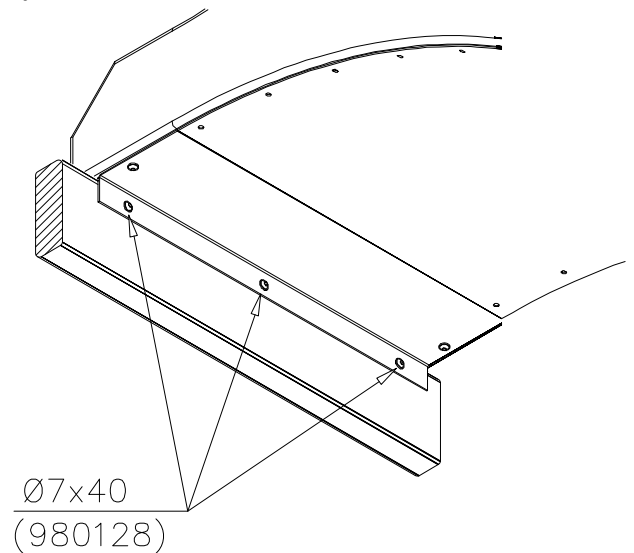
DET 4



DET 5



DET 6

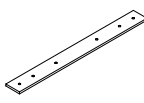
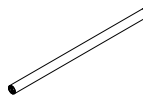


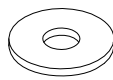
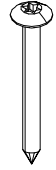


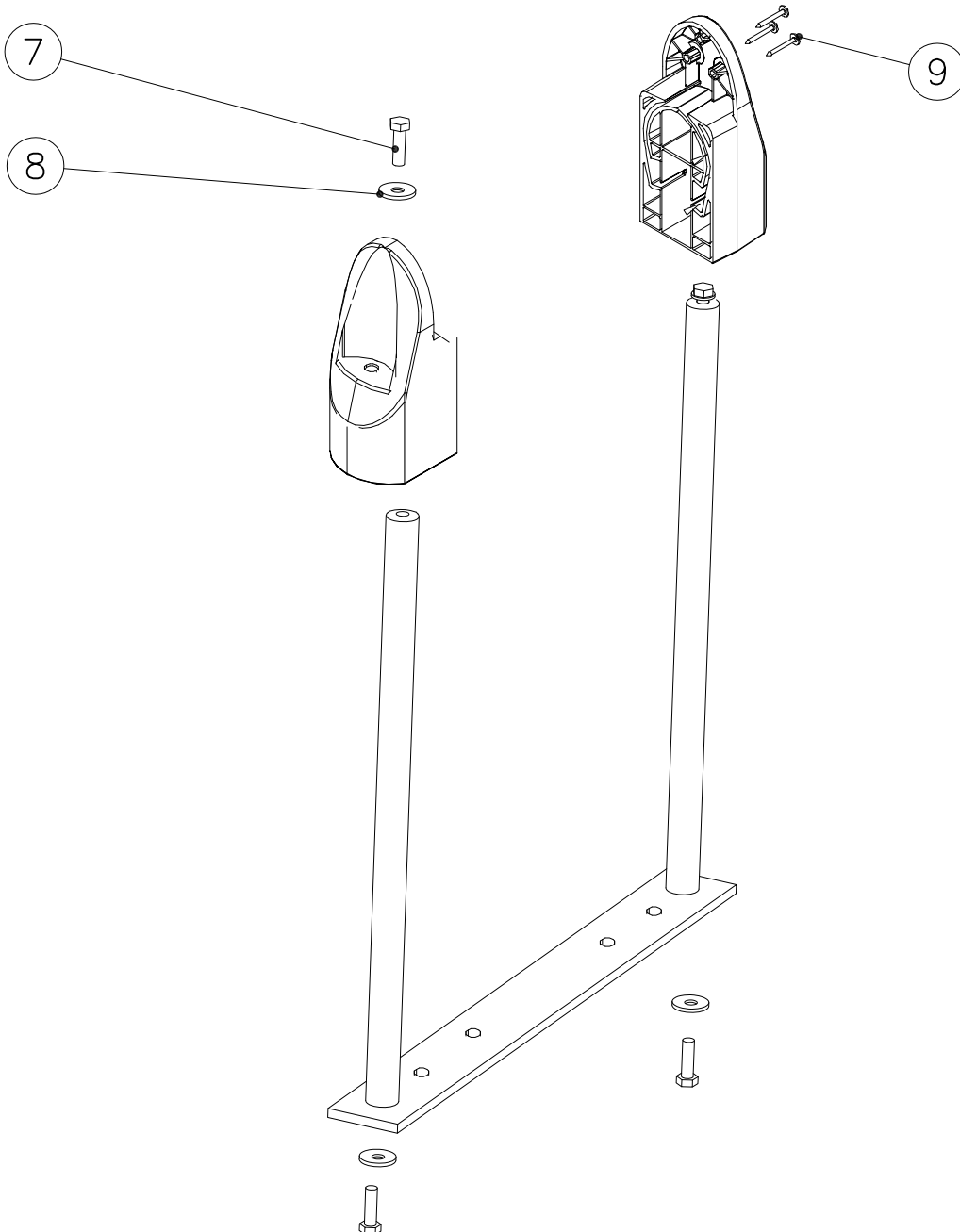
LAPPSET

DEEP FOUNDATION

DATE: 21.9.2016

4(5)

○ 707133	PCS	○ 901868	PCS	○ 901879	PCS	⑦ 909210	PCS	⑧ 905051	PCS	⑨ 980128	PCS
	1		2		2		4		4		6
10x80x745		Ø30x598				M8x40		Ø24/8.4		Ø7x40	



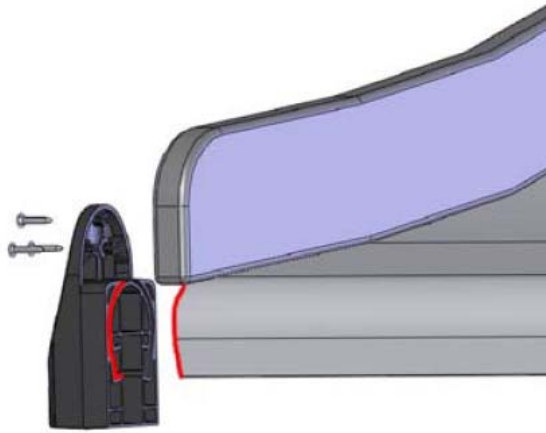
LAPPSET

DEEP FOUNDATION

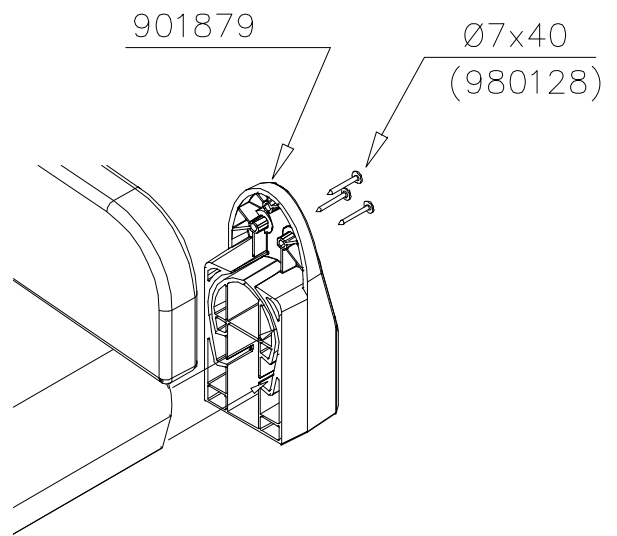
DATE: 21.9.2016

5(5)

DET 7



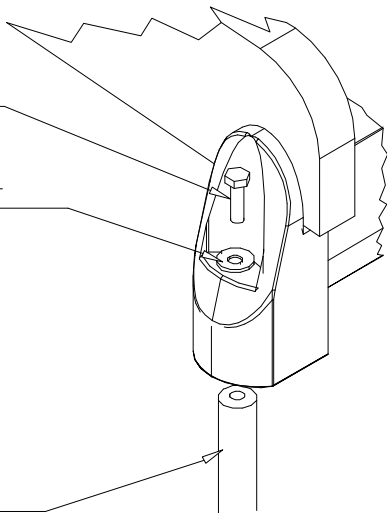
Insert sheet metal IN to the plastic cover.



DET 8

M8x40
(909210)
Ø24/8.4
(905051)

901868



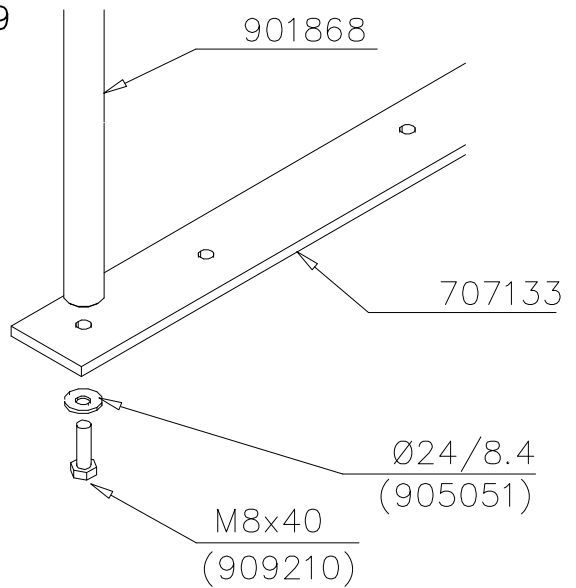
DET 9

901868

707133

Ø24/8.4
(905051)

M8x40
(909210)



① 903176	PCS	② 909850	PCS
	4		4
		M8x25	
③ 909256	PCS	④ 909633	PCS
	8		4
Ø16/8.4x1.6		M8	
⑤ 980123	PCS		PCS
	4		
Ø7x60			

***Note:**
No gaps between:
8–25mm
89–230mm

800

80

*Note

800

80

*Note

COLOR OPTIONS	
-701	BLUE
-702	YELLOW
-703	LIME
-704	DARK GRAY
-705	LIGHT GRAY
-706	RED
-707	GREEN
-708	FUXIA

GAME WALL OPTIONS

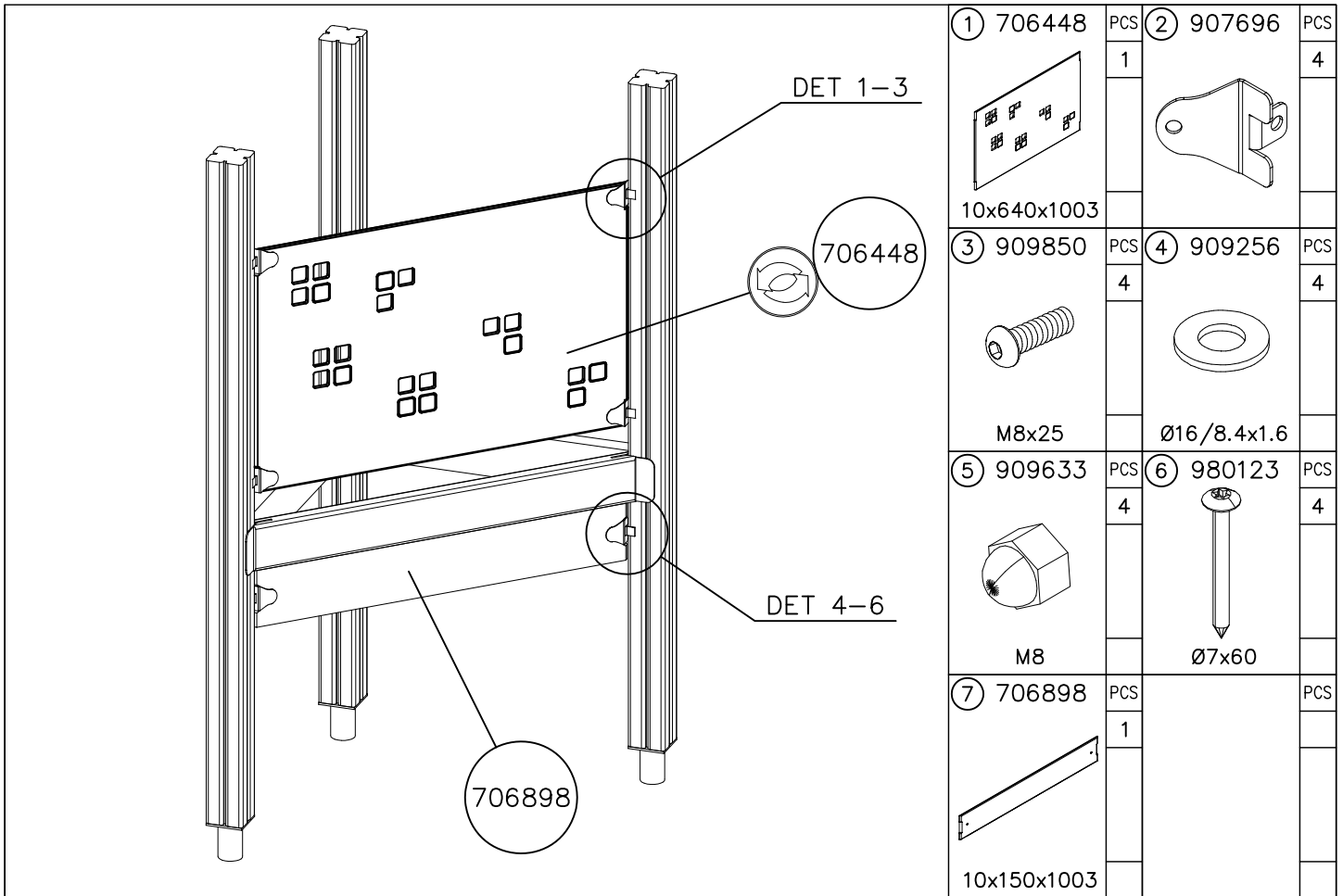
706766	706772	706308	707453
			
640x702	640x702	640x702	640x702
707209	705705	707433	707386
			
640x702	640x702	640x702	640x702
709403	709358	709405	
			
640x702	640x702	420x702	

DET 1

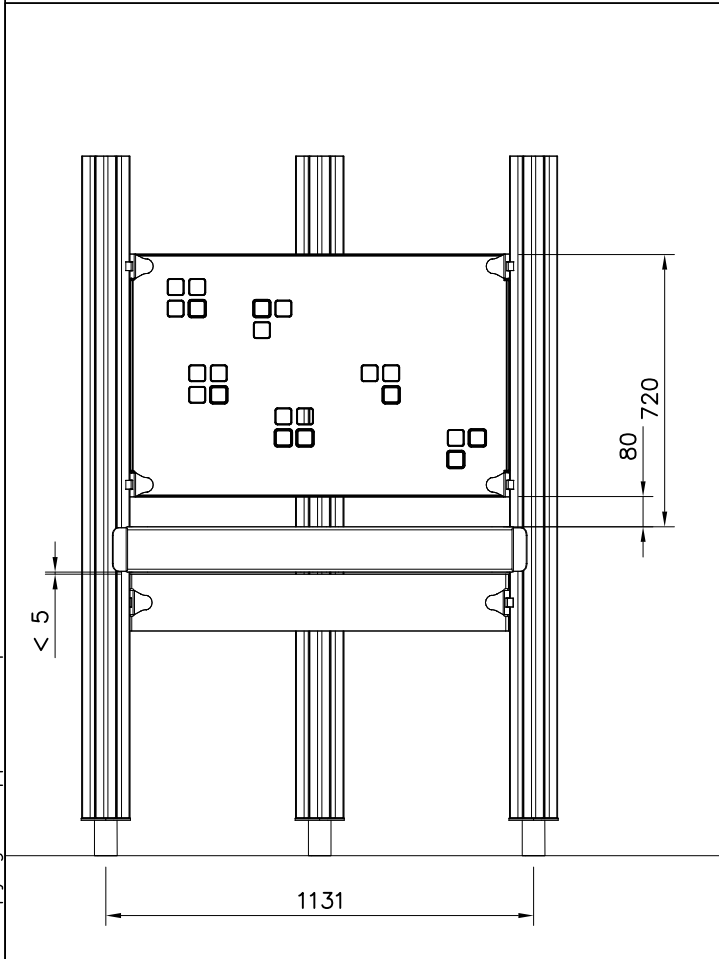


DET 2



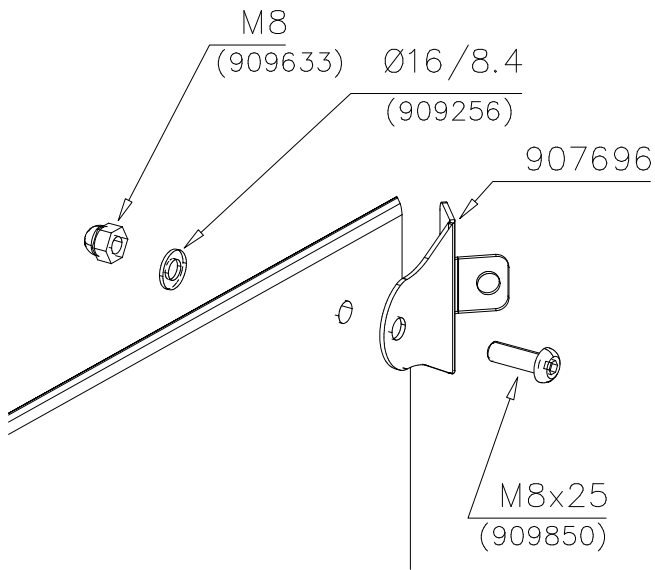


① 706448	PCS	② 907696	PCS
	1		4
10x640x1003			
③ 909850	PCS	④ 909256	PCS
	4		4
M8x25		Ø16/8.4x1.6	
⑤ 909633	PCS	⑥ 980123	PCS
	4		4
M8		Ø7x60	
⑦ 706898	PCS		PCS
	1		
10x150x1003			

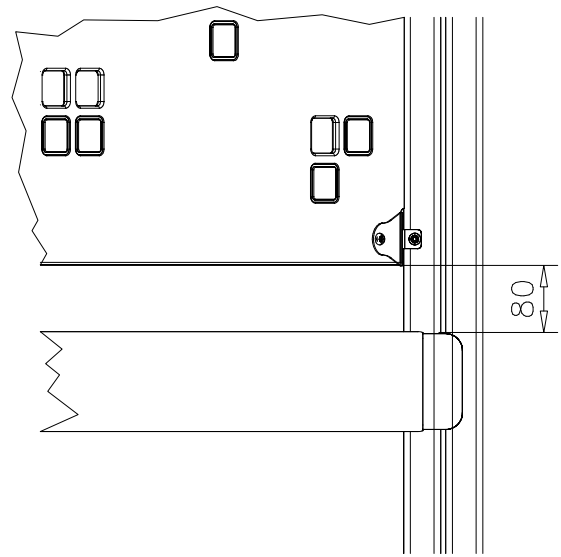


WALL OPTIONS		
706448	706448-701	BLUE
	706448-702	YELLOW
10x640x1003	706448-703	LIME
	706448-704	DARK GRAY
	706448-705	LIGHT GRAY
	706448-706	RED
	706448-707	GREEN
	706448-708	FUXIA
WALL OPTIONS		
706898	706898	DARK GRAY
10x150x1003		

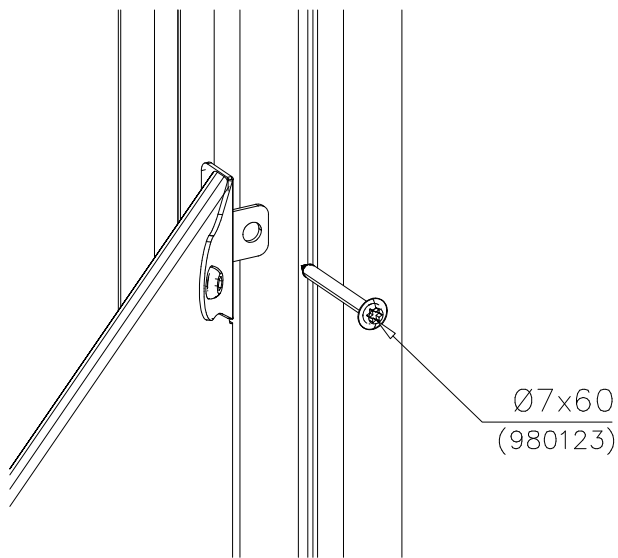
DET 1



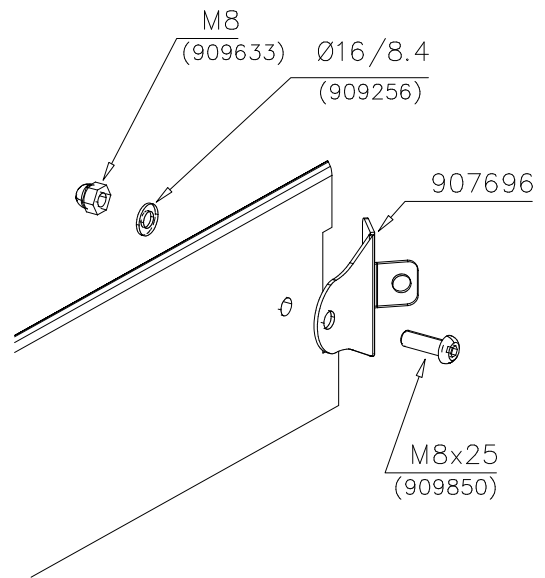
DET 2



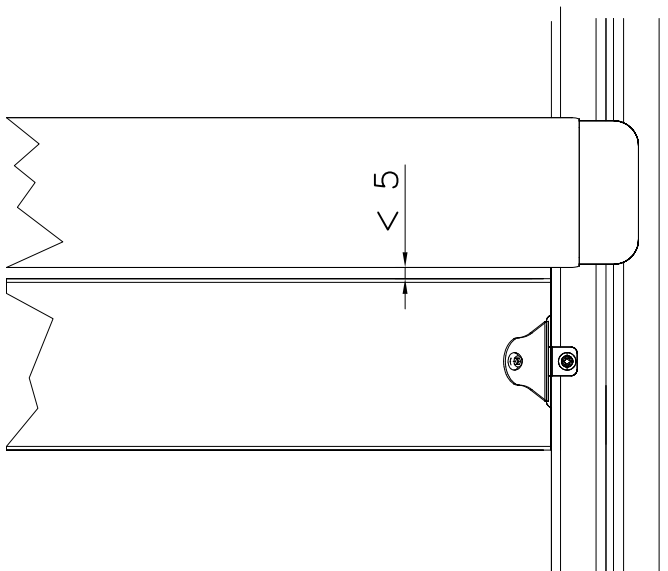
DET 3



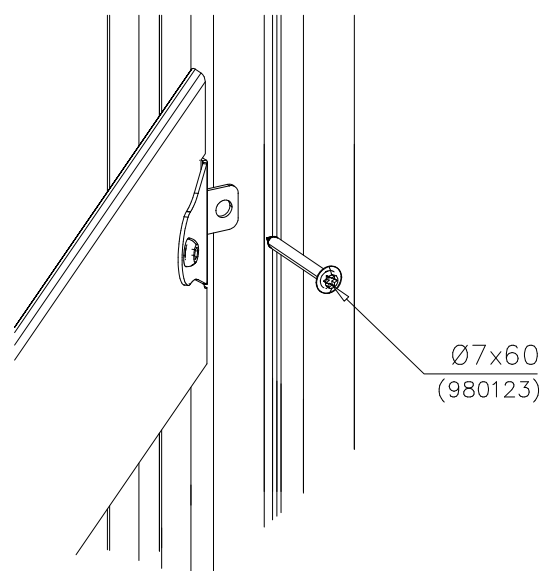
DET 4

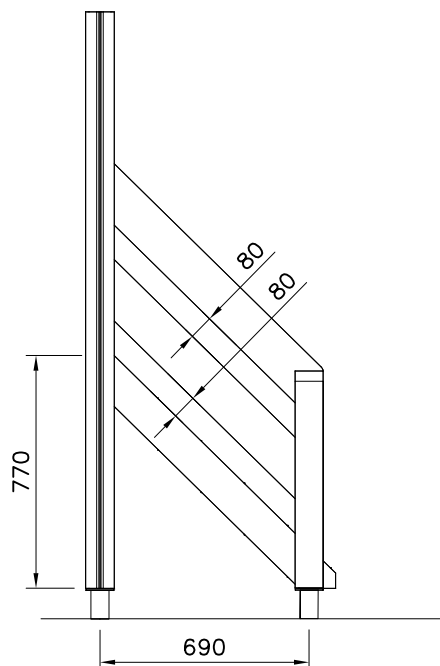
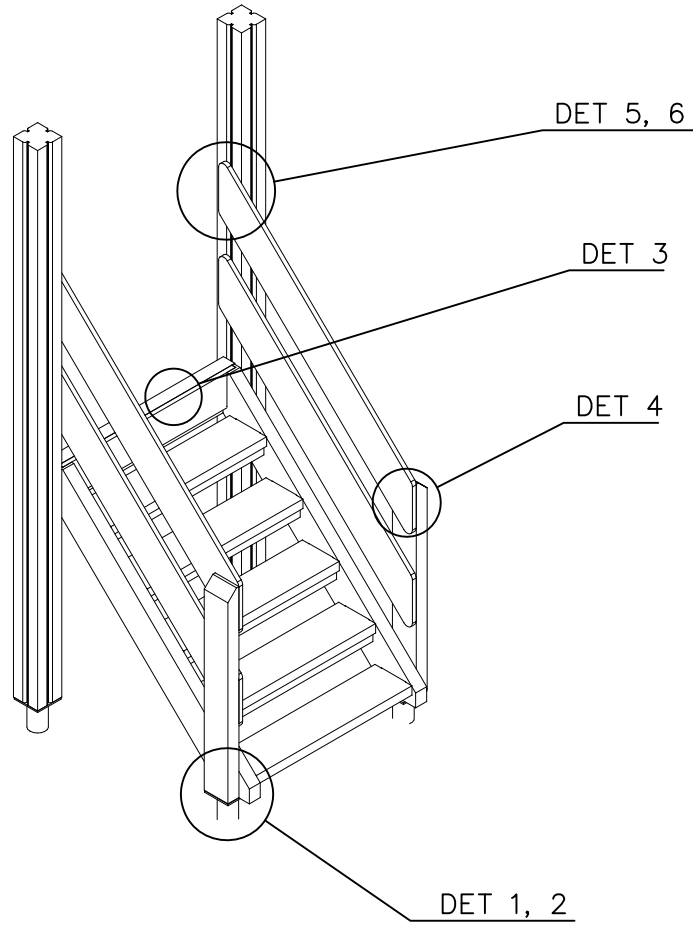


DET 5



DET 6





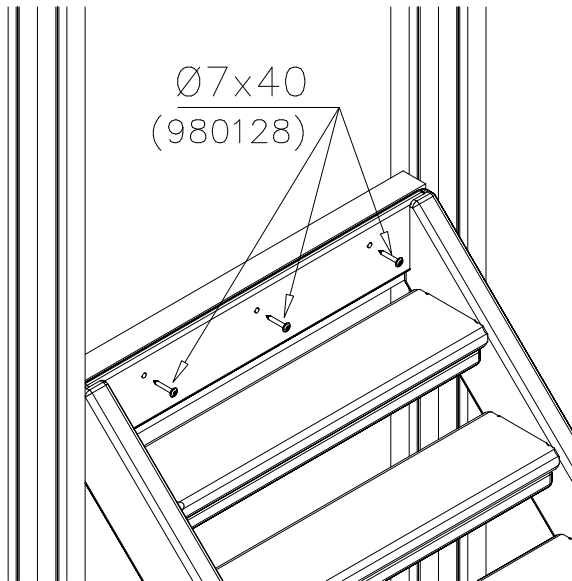
DET 1



DET 2



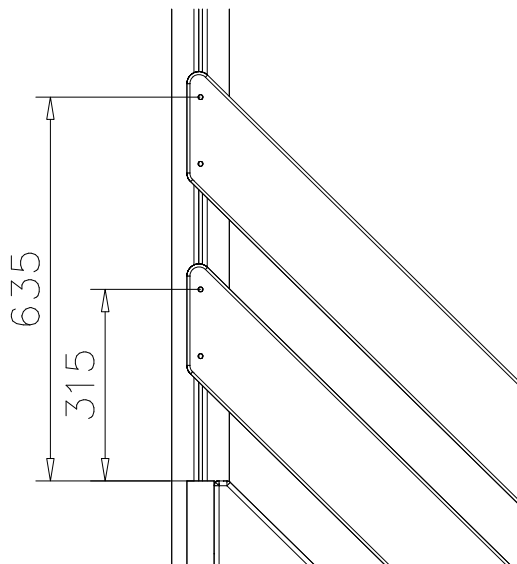
DET 3



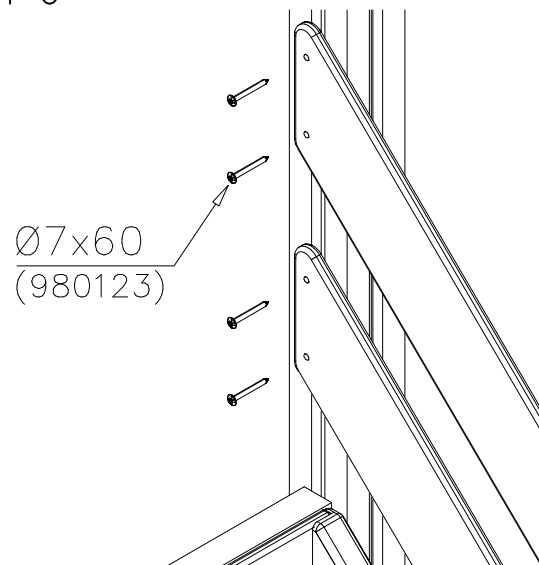
DET 4

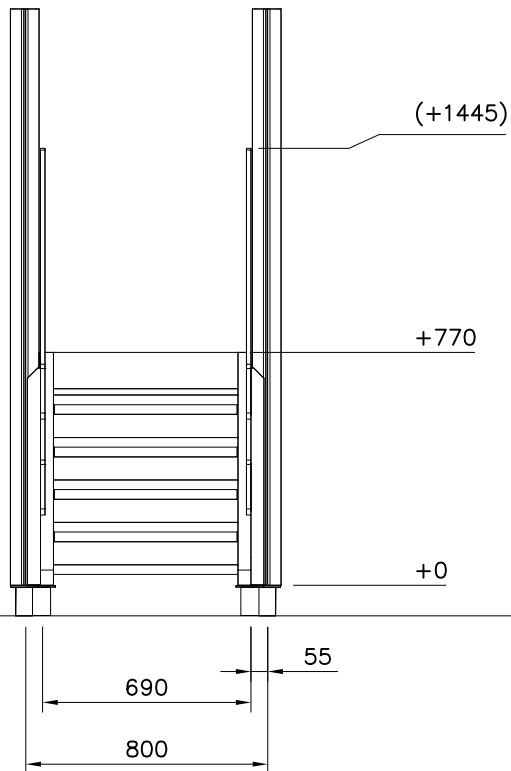


DET 5



DET 6





STAIRS OPTIONS +870

707191 	707191-602 DARK BROWN 707191-603 LIGHT BROWN 707191-604 LIGHT GRAY	
---	--	--

RAILING OPTIONS

RAILS 707146  15x145x1153	707146-701 BLUE 707146-702 YELLOW 707146-703 LIME 707146-704 DARK GRAY 707146-705 LIGHT GRAY 707146-706 RED	707146-707 GREEN 707146-708 FUXIA
---	--	--------------------------------------

POST 707145  43x93x717	707145-602 DARK BROWN 707145-603 LIGHT BROWN 707145-604 LIGHT GRAY	
---	--	--

POST OPTIONS

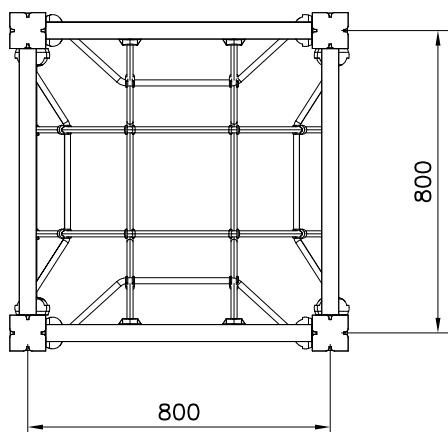
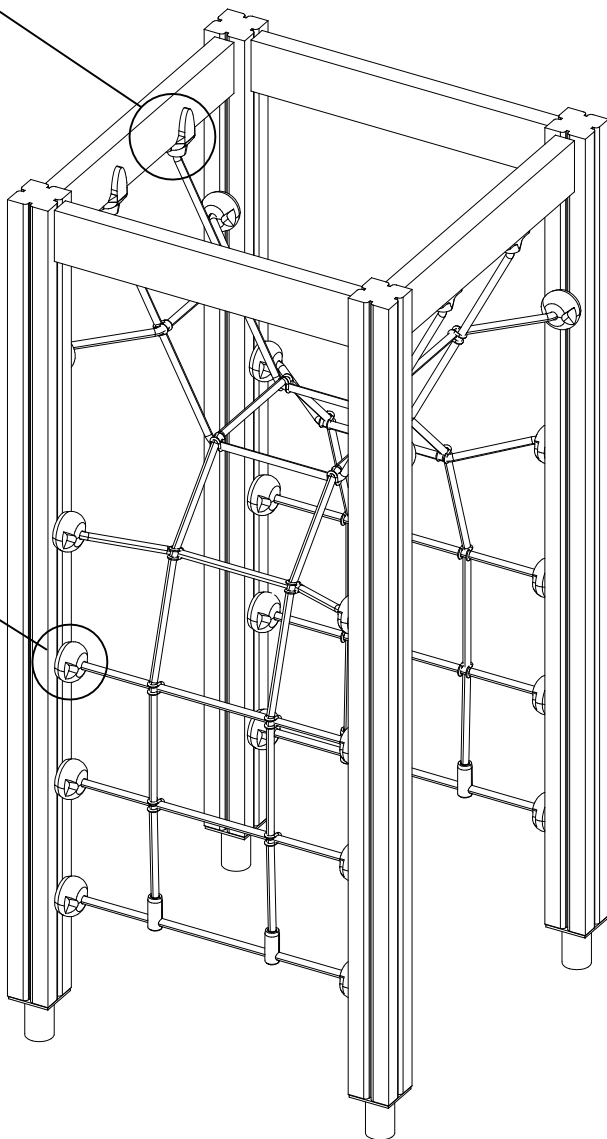
--	--	--

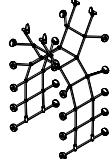
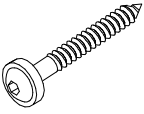


--	--	--

①	707191	PCS	②	707145	PCS	③	707146	PCS	④	900859	PCS	⑤	905104	PCS	⑥	909633	PCS
		1			2			4			2			4			2
+870			43x93x717			15x145x1153			M8x90			M10			M8		
⑦	980123	PCS	⑧	980128	PCS	⑨	980152	PCS			PCS			PCS			PCS
		8			15			2									
Ø7x60			Ø7x40			Ø24/8.4x2											

DET 1

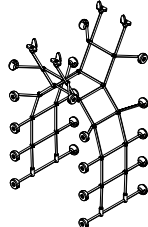
DET 2



① 707341  1520x705	PCS 1	② 900240  Ø8x70	PCS 40
③ 980123  Ø7x60	PCS 8	④ 980128  Ø7x40	PCS 4
	PCS		PCS
	PCS		PCS
	PCS		PCS
	PCS		PCS

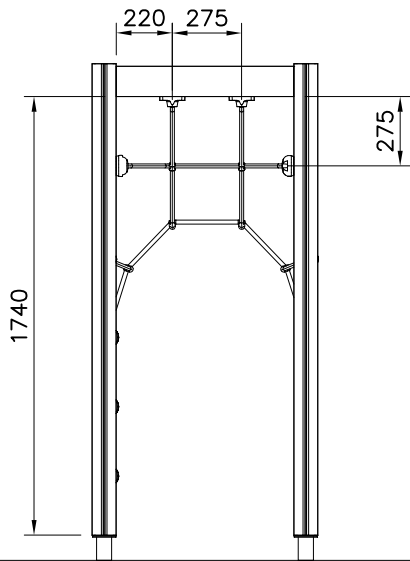
NET OPTIONS

707341

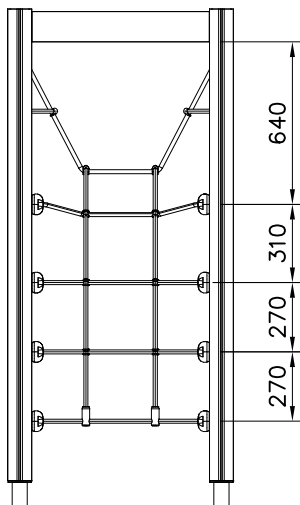
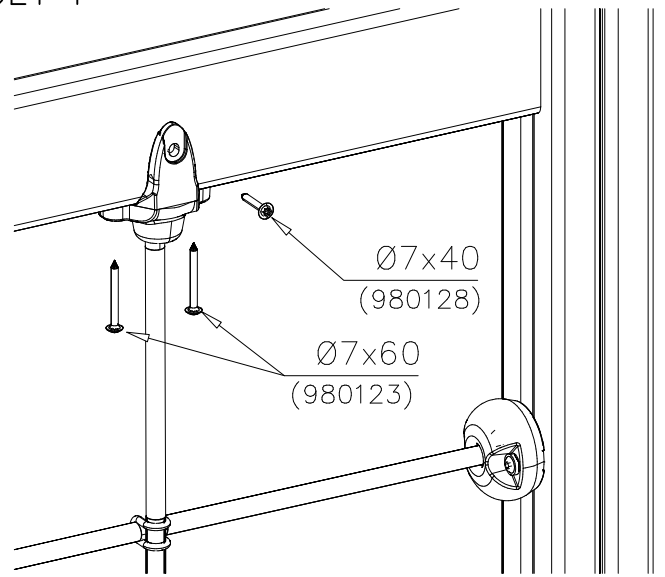


1520x705

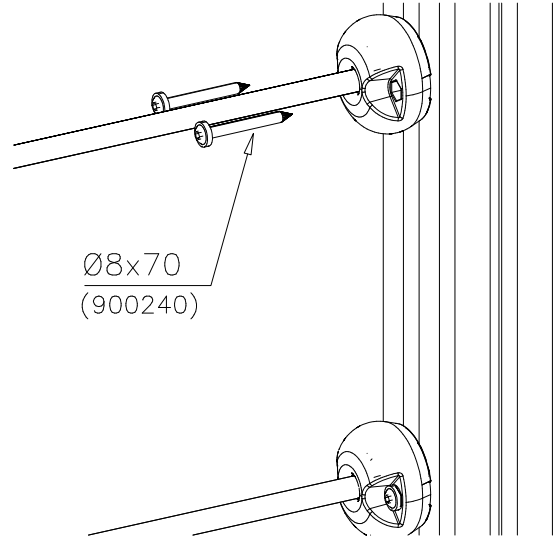
707341-301	BLUE
707341-302	RED
707341-303	BEIGE
707341-304	GREY
707341-305	BLACK

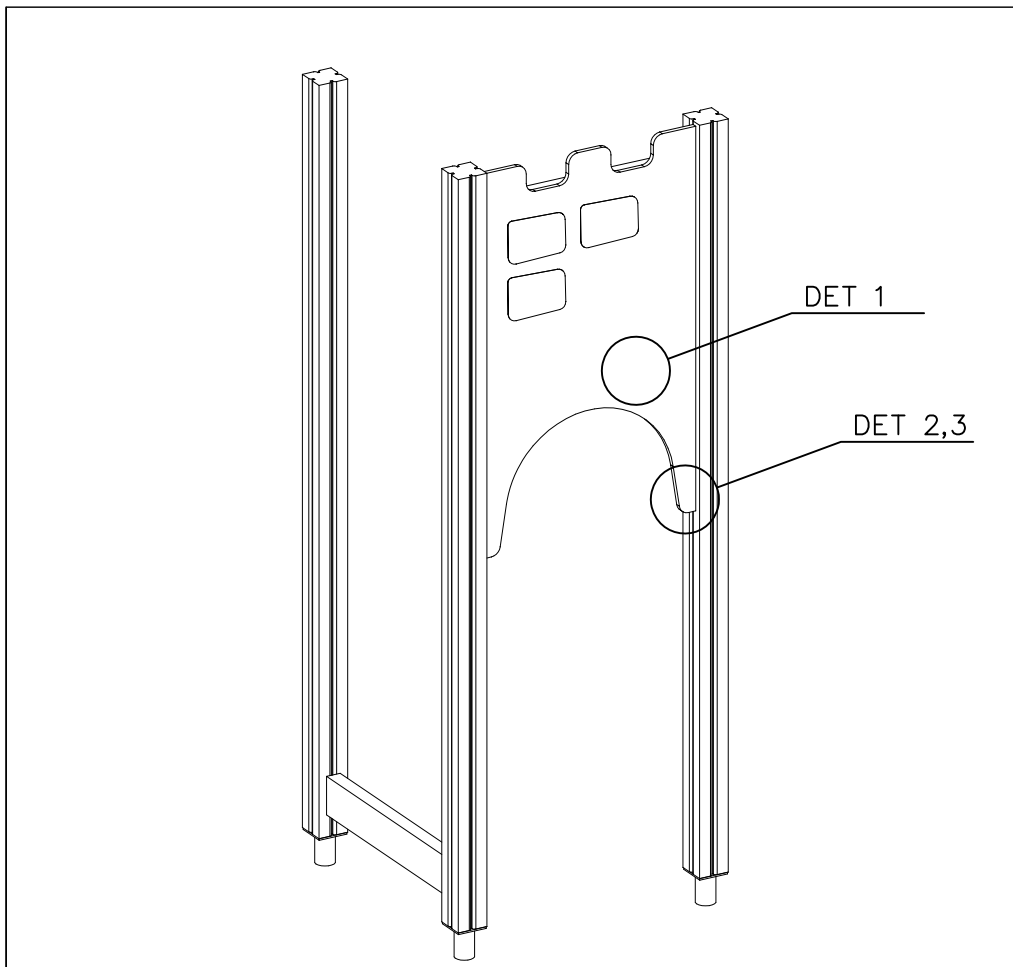



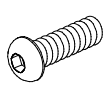
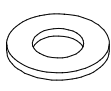
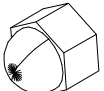


DET 1

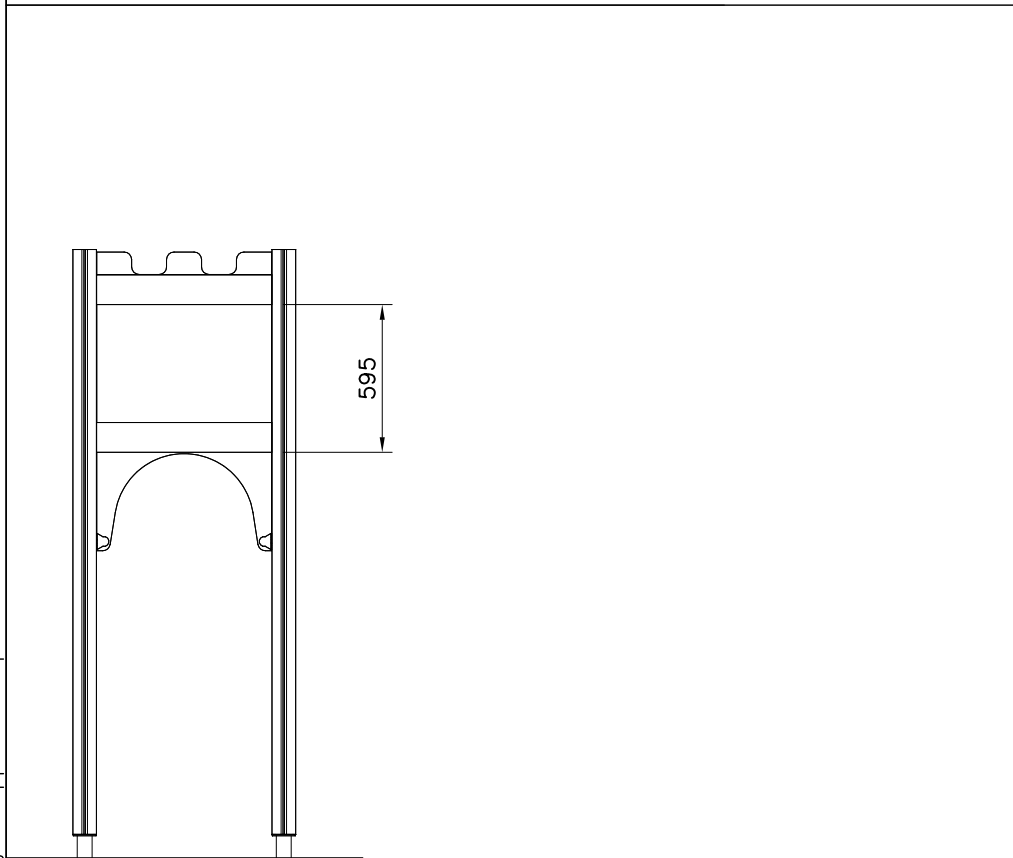


DET 2





① 903215	PCS	② 909852	PCS
	2		2
		M8x30	
③ 909256	PCS	④ 909633	PCS
	4		2
Ø16/8.4x1.6		M8	
⑤ 980123	PCS	⑥ 980128	PCS
	2		6
Ø7x60		Ø7x40	

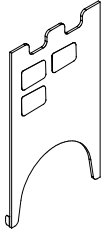


COLOR OPTIONS

- 605 DARK GRAY
- 606 LIGHT GRAY
- 607 RED
- 608 BLUE
- 610 YELLOW
- 611 LIME
- 609 GREEN
- 612 FUXIA

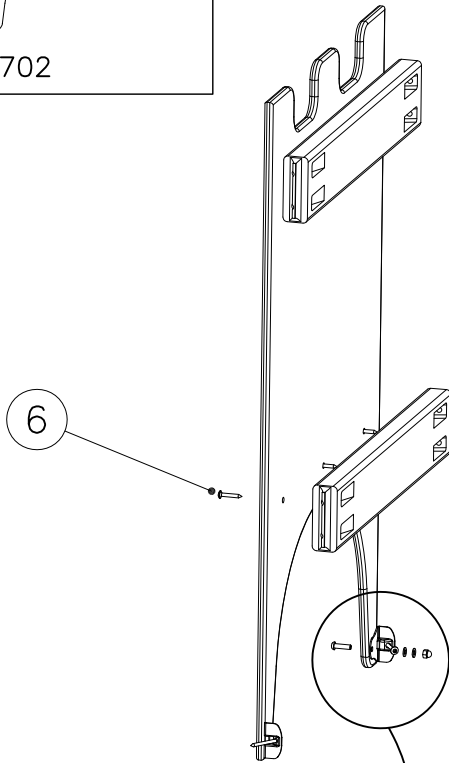
WALL OPTIONS

707470

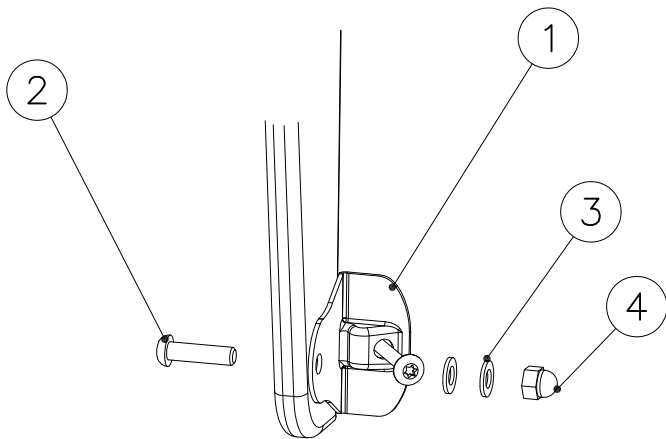


1200x702

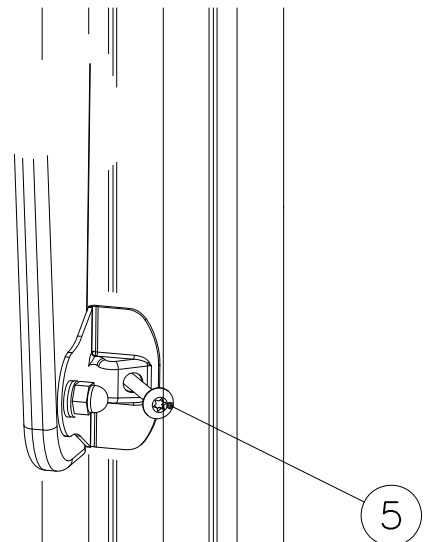
DET 1



DET 2



DET 3





① 900240	PCS		PCS
	2		
Ø8x70			
	PCS		PCS
	PCS		PCS

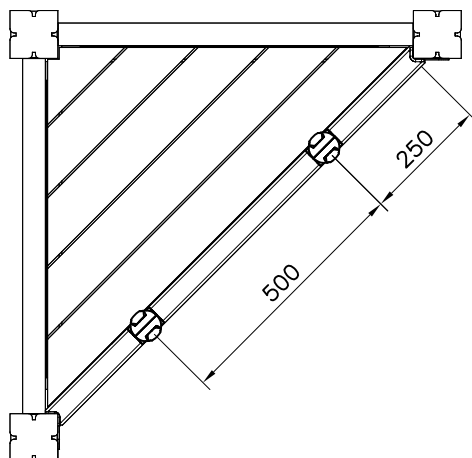
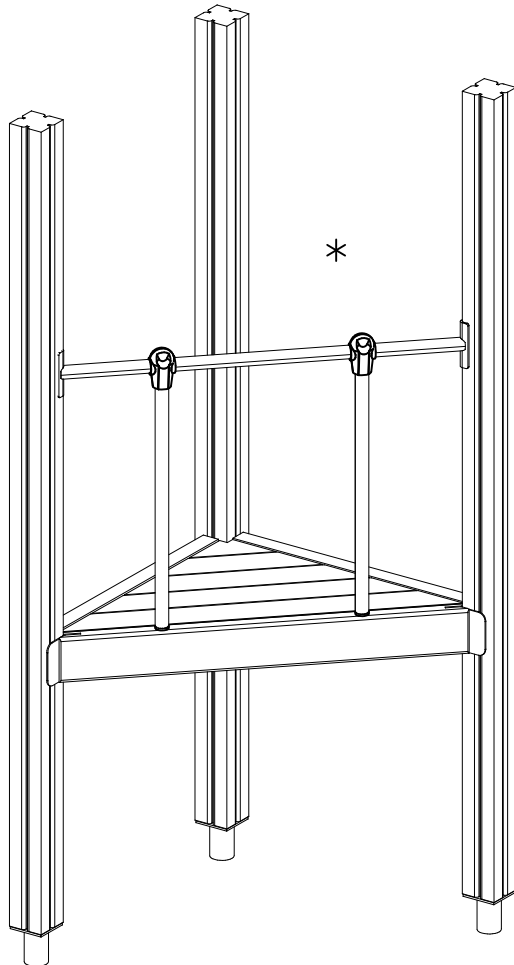






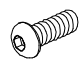
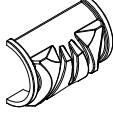


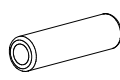


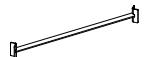
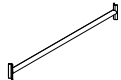
○ 707302	PCS	○ 707303	PCS
	1		1
○ 707304	PCS	○ 707305	PCS
	1		1
	PCS		PCS



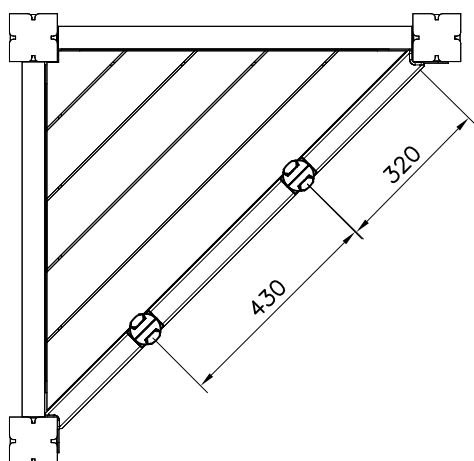
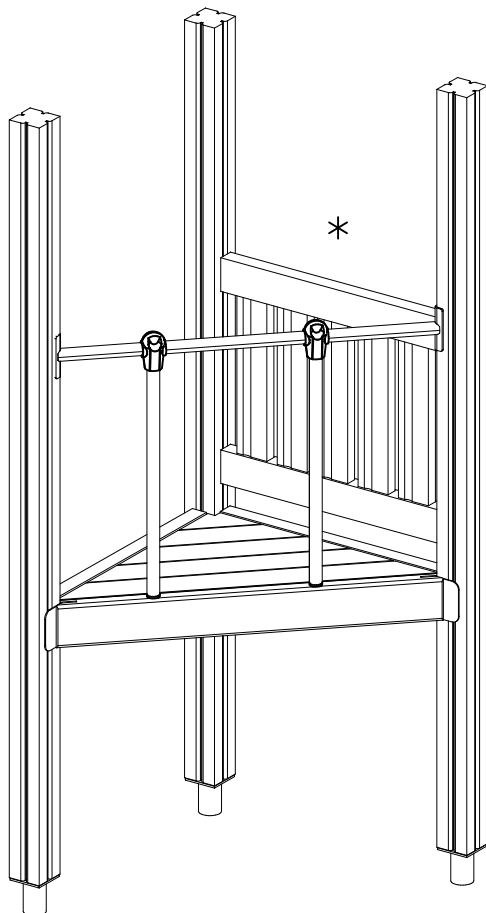
	PCS		PCS
	PCS		PCS

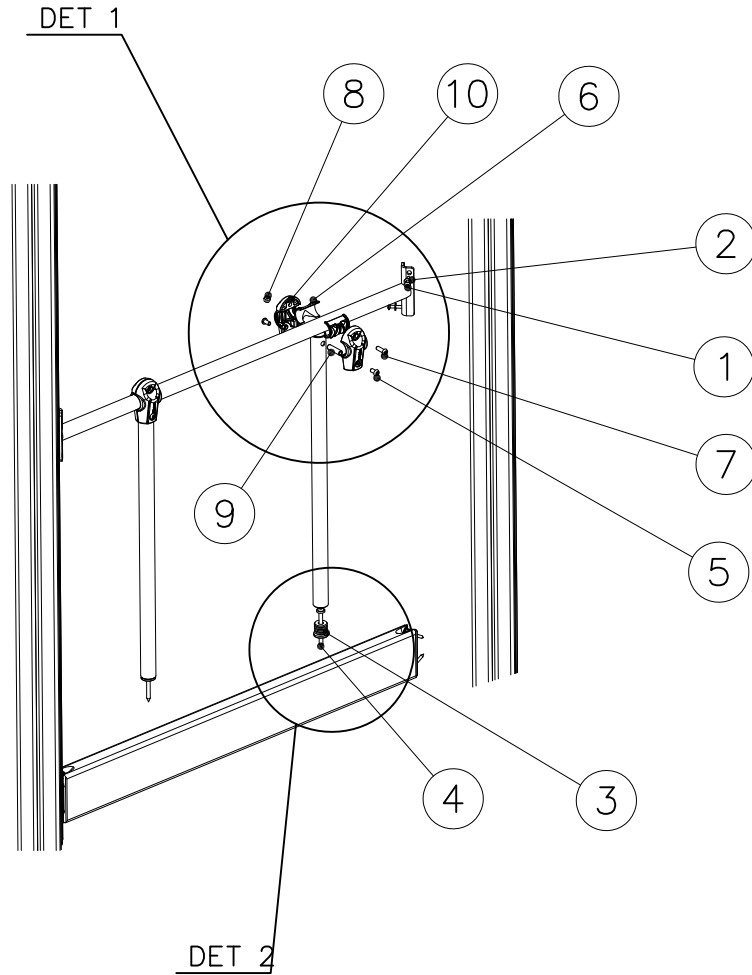
OPTION 1. No wall on the sides



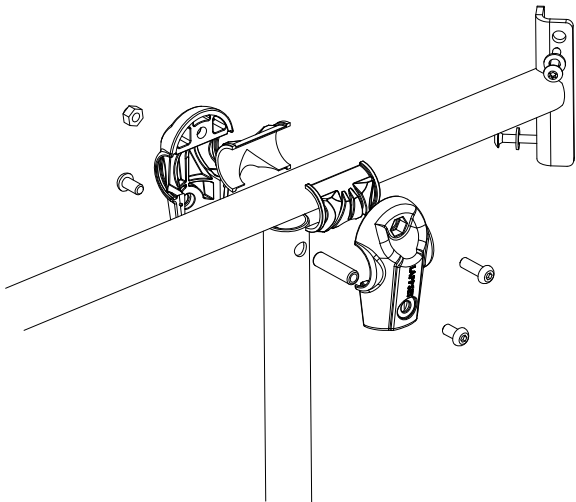
①	980128	PCS	②	909256	PCS
		4			4
	93x93x2150			Ø16/8.4	
③	908057	PCS	④	903093	PCS
		2			2
	Ø32/29-L5/30			Ø8x90	
⑤	900342	PCS	⑥	901900	PCS
		4			4
	M8x16			20.5x36.2x56	
⑦	909850	PCS	⑧	980150	PCS
		2			2
	M8x25			M8	
⑨	901182	PCS	⑩	901902	PCS
		2			4
	Ø11/M8x40			30.7x60.9x100	
		PCS			PCS
		PCS	○	908044	PCS
					2
				Ø33.7x679	
○	911529	PCS	○	907920	PCS
		1			1
		OR			

OPTION 2. Wall on either side (move vertical bar 70mm)

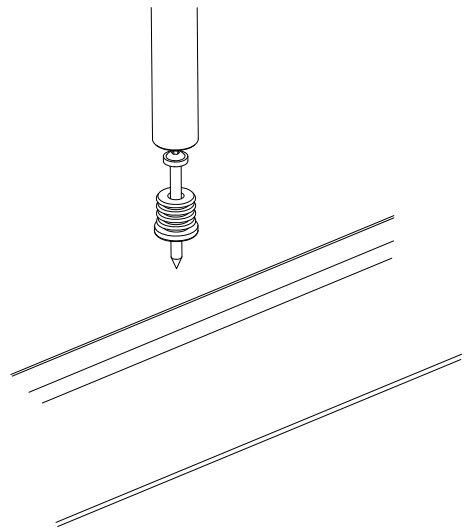




DET 1



DET 2

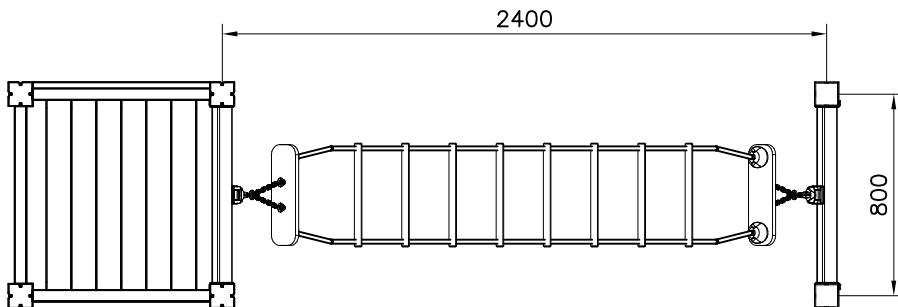
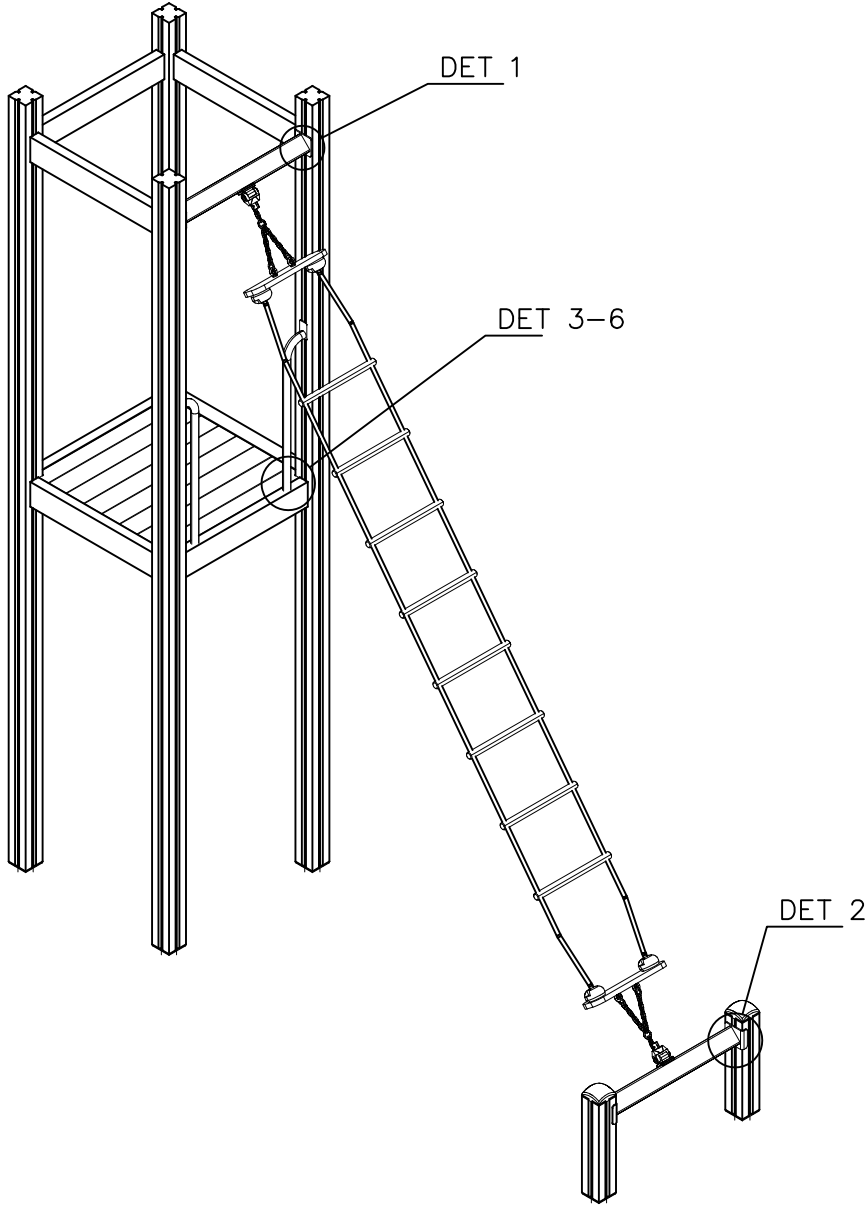




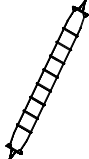
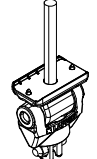

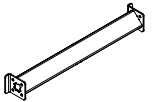
LAPPSET® FASTENER KIT

707652

DATE: 23.3.2016

1(4)



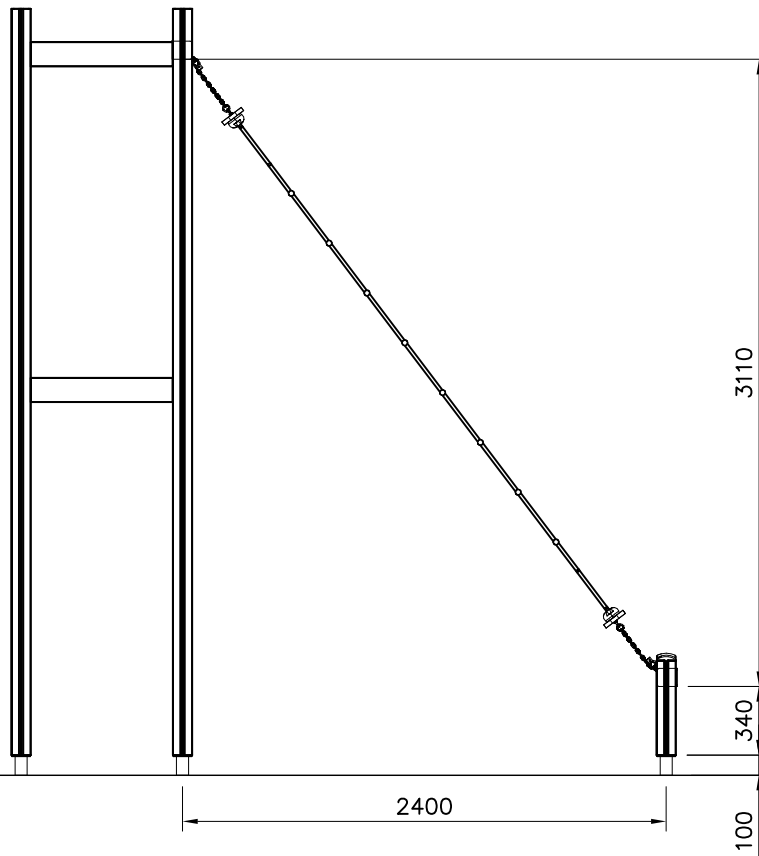
① 900240	PCS 10	② 900727	PCS 2
			
Ø8x70		M10x80	
	PCS		PCS
	PCS		PCS
	PCS		PCS
	PCS		PCS
○ 707113	PCS 1	○ 904904	PCS 2
			
	PCS		PCS
○ 907688	PCS 2	○ 908226	PCS 2
			
40x765x114		90x96,5x704	
	PCS		PCS

LAPPSET® FASTENER KIT

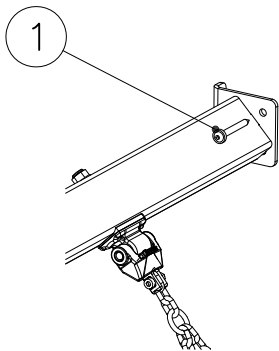
707652

DATE: 23.3.2016

2(4)

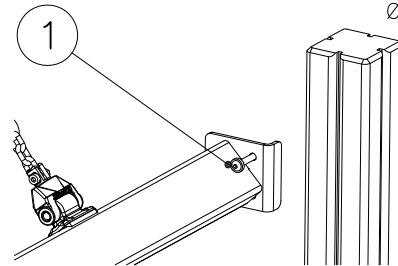


DET 1



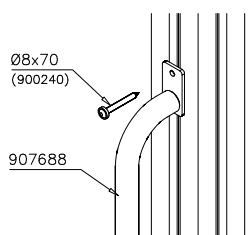
NOTE:
Pre-Drill hole
for screw
Ø5 √50

DET 2

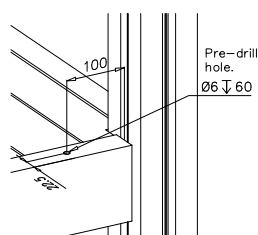


NOTE:
Pre-Drill hole
for screw
Ø5 √50

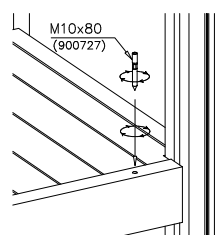
DET 3



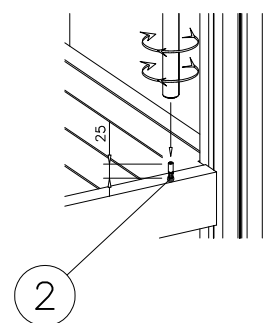
DET 4



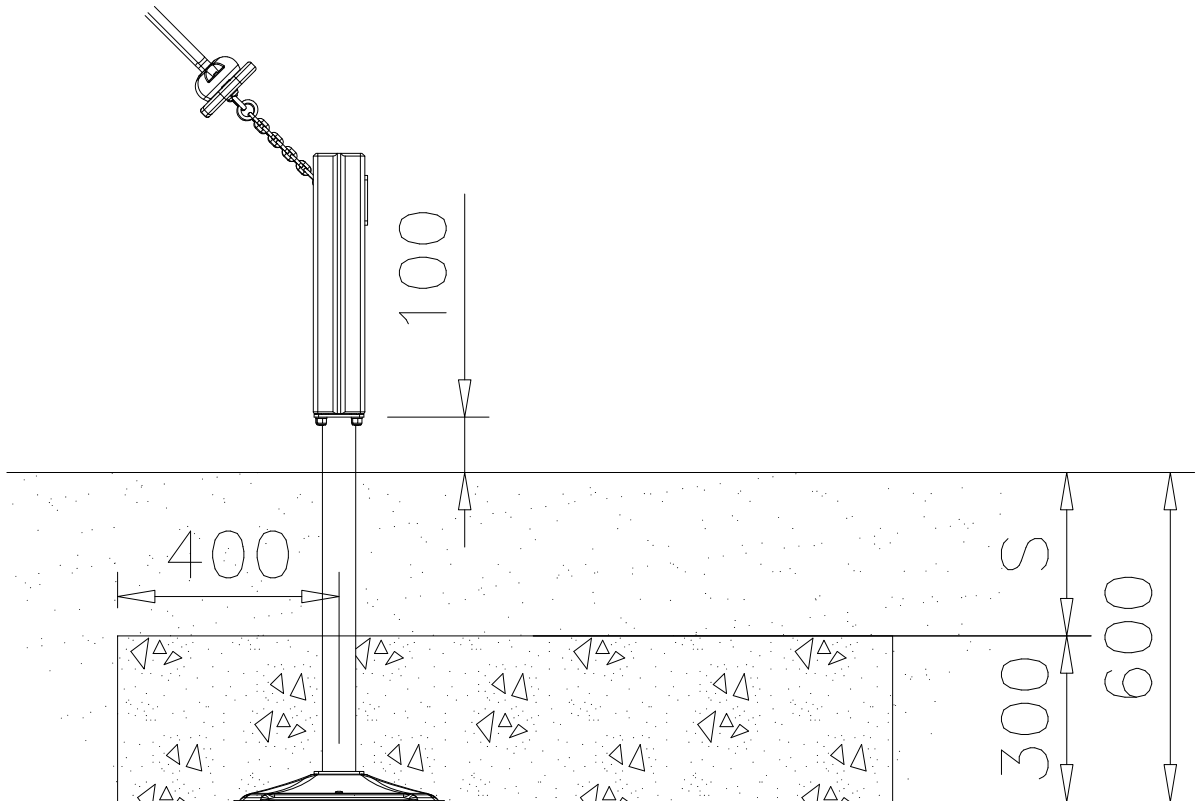
DET 5



DET 6

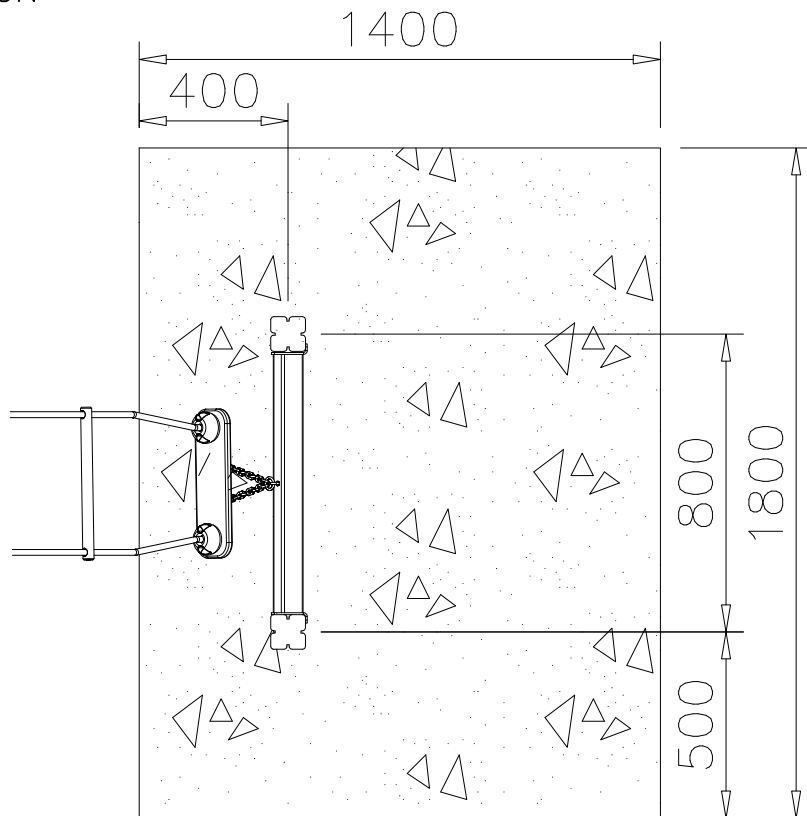


DEEP FOUNDATION



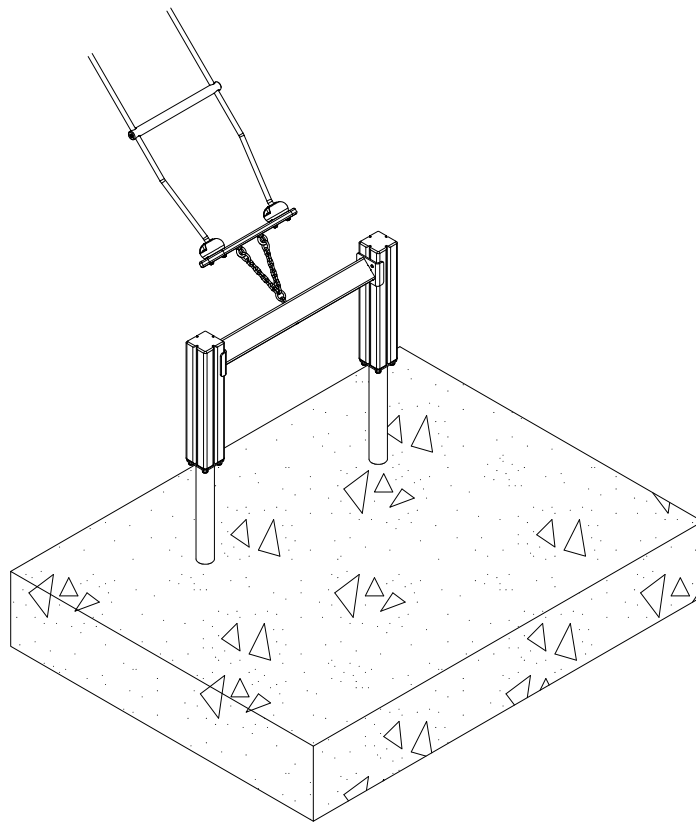
CONCRETE: 300x1400x1800

DEEP FOUNDATION



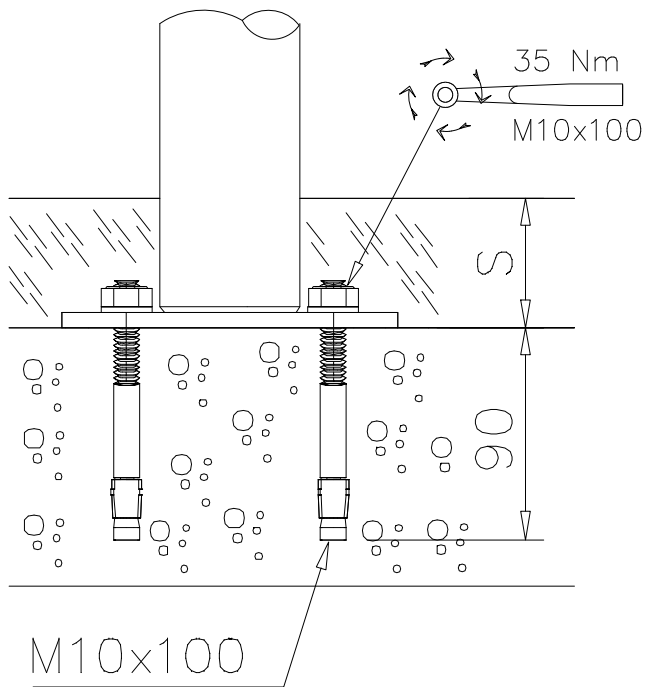
CONCRETE: 300x1400x1800

DEEP FOUNDATION



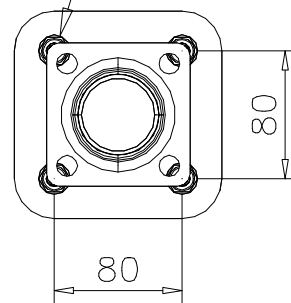
CONCRETE: 300x1400x1800

SURFACE FOUNDATION

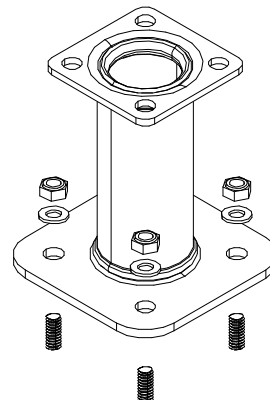


SURFACE FOUNDATION

Pre-drill hole
 $\varnothing 10 \downarrow 90$ (x4)



SURFACE FOUNDATION





Tuotekyltti tulee tuotteen mukana yhdellä seuraavista tavoista:

1) Metallinen tuotekyltti ja kiinnitysruuvit

- Kiinnitä tuotekyltti ruuveilla tolppaan noin 2 metrin korkeuteen kuvan 1 mukaisesti.

2) Tuotekylttitarra

- Puhdista maalattu metalli- tai vaneripinta pölystä ja kosteudesta. Liimaa tarra kuvan 2 mukaisesti.
- Huom. Älä kiinnitä tarraa karheapintaiseen laminaattiin tai maalattuun puuhun.

Vår produktmärkning levereras på ett av följande sätt:

1) Produktskylt i metall

- Fäst skylten med de medföljande skruvarna

2) Självhäftande produktetikett

- Rengör den pulverlackerade metallytan eller laminatyten så att den blir fri från smuts och fukt. Fäst etiketten enligt fig. 2.
- Obs! Fäst ej etiketten på detaljer med skrovlig yta eller på målat trä.

Product label is delivered by one of following ways:

1) Metal product label and screws

- Fasten the label with screws.

2) Label sticker

- Clean the painted metal or plywood surface from dirt and moisture. Fasten the sticker as shown in the figure 2.
- Note. Do not attach the sticker to rough surfaced laminate or painted wood.

La plaque d'informations produit est livrée sous l'une de ces 3 formes :

1) Plaque métallique et vis

- Fixez la plaque à l'aide des vis.

2) Etiquette autocollante

- Avant de coller l'étiquette, nettoyez le composant métallique peint ou la plaque de contreplaqué, de toute saleté. La surface doit être sèche (voir image 2).
- Attention, ne pas coller l'étiquette sur une surface lamellé-collée irrégulière ou sur du bois peint.

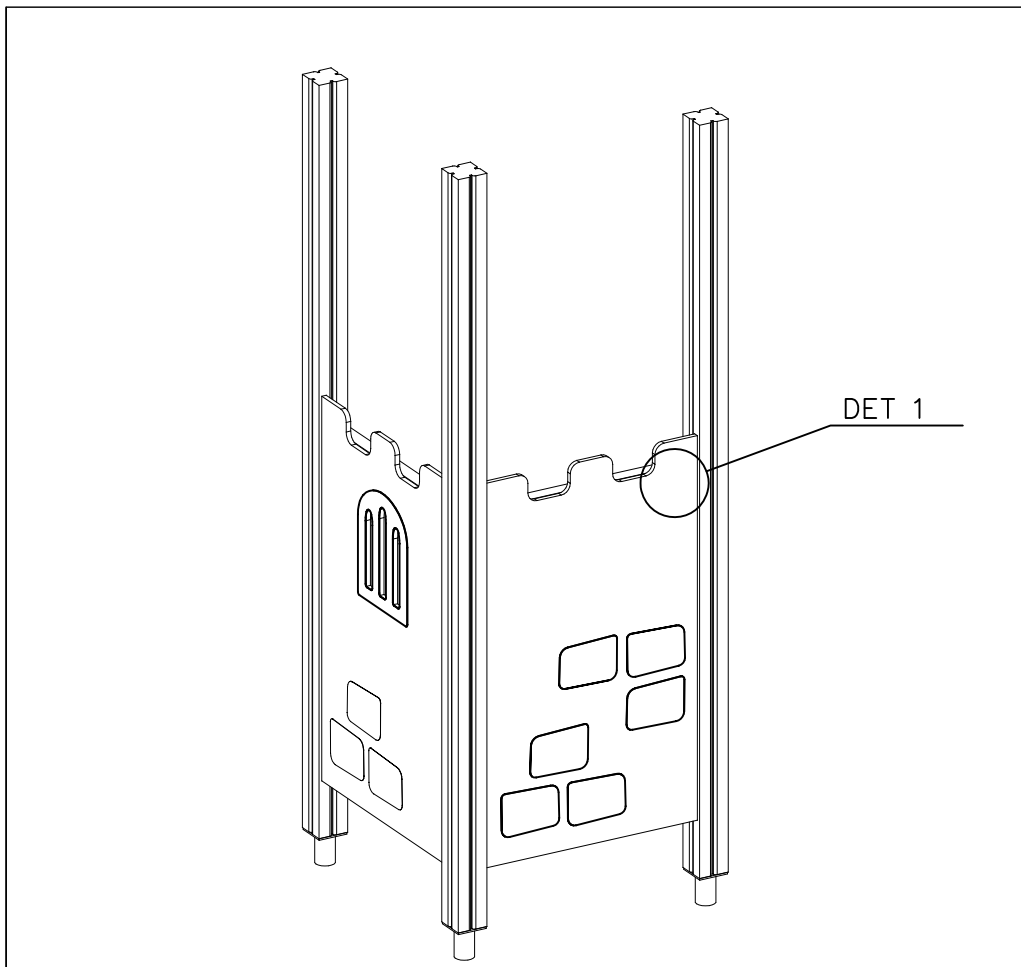
Die Auslieferung des Produktaufklebers erfolgt auf eine dieser Arten:


1) Produkt-Schild aus Metall incl. Schrauben

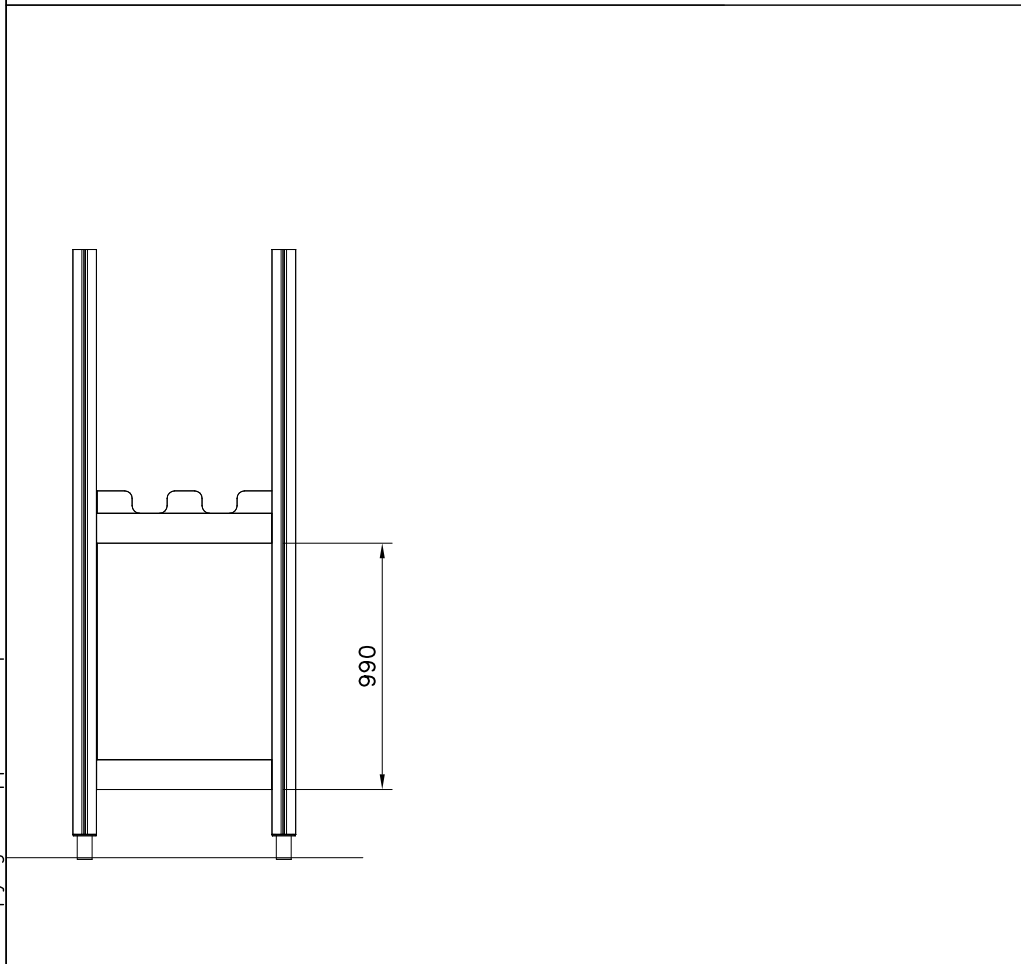
- Die Befestigung des Schildes erfolgt mittels der Schrauben.

2) Aufkleber

- Entfernen Sie zunächst Schmutz und Feuchtigkeit vom lackierten Metall bzw. von der Holzoberfläche und bringen Sie den Aufkleber wie im Bild oben rechts beschrieben auf den gesäuberten Untergrund auf.
- Beachten Sie: Bringen Sie den Aufkleber nicht auf raues laminiertes oder lackiertes Holz an.



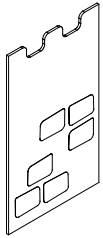
① 980128	PCS		PCS
	6		
Ø7x40			
	PCS		PCS
	PCS		PCS



COLOR OPTIONS	
-605	DARK GRAY
-606	LIGHT GRAY
-607	RED
-608	BLUE
-610	YELLOW
-611	LIME
-609	GREEN
-612	FUXIA

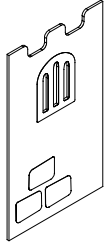
WALL OPTIONS

707462



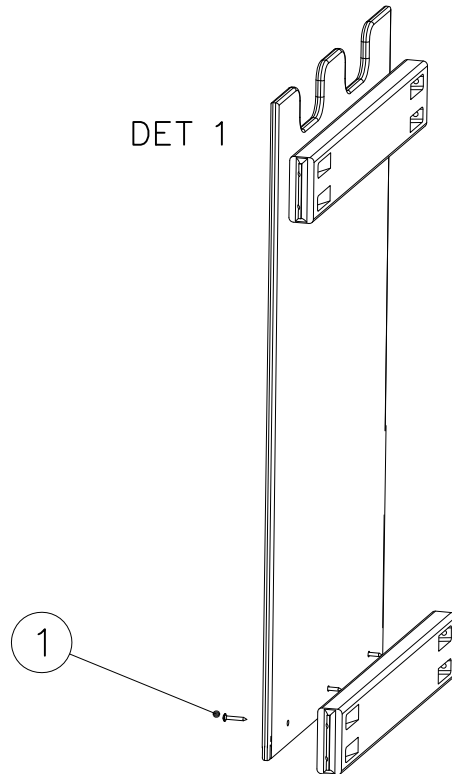
1200x702

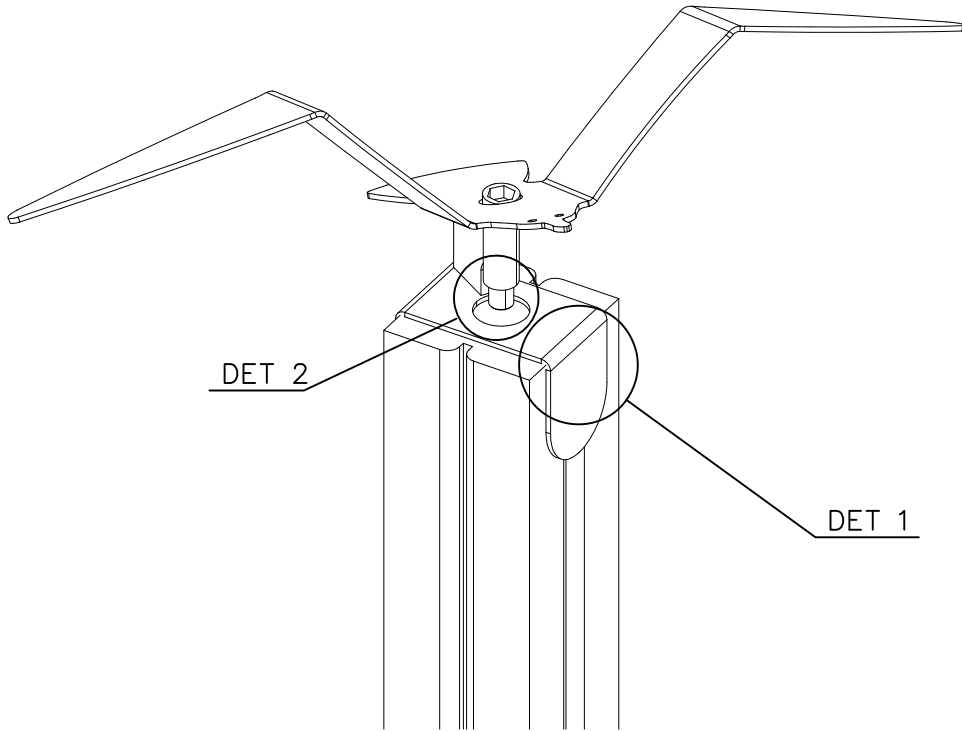
707463

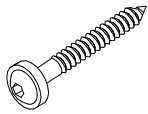

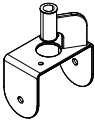

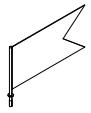



1200x702

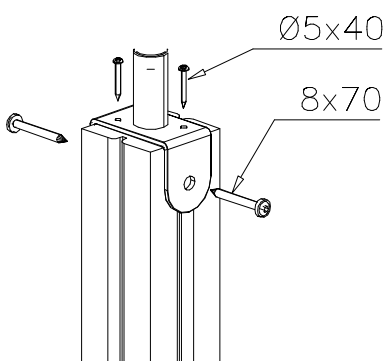
DET 1



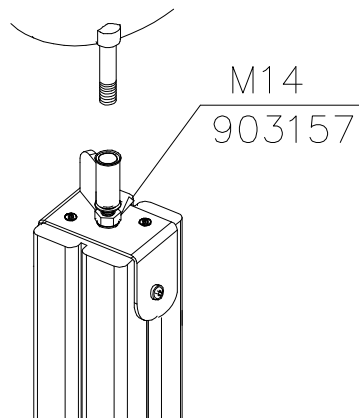


① 900240	PCS	② 980106	PCS
	2		2
Ø8x70		Ø5x40	
③ 907082	PCS		PCS
	1		
Ø8x70			
	PCS		PCS
	PCS		PCS
○ 908357	PCS	○ 900793	PCS
	1		1
○ 903157	PCS		PCS
	1		
M14			
	PCS		PCS
	PCS		PCS

DET 1



DET 2





① 900240	PCS	② 900727	PCS
	1		1
Ø8x70		M10x80	
	PCS		PCS
③ 907688	PCS	③ 907701	PCS
	1		1
765		545	
	PCS		PCS
	PCS		PCS
	PCS		PCS
	PCS		PCS

