



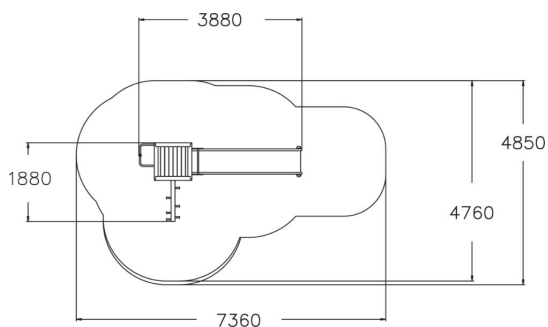
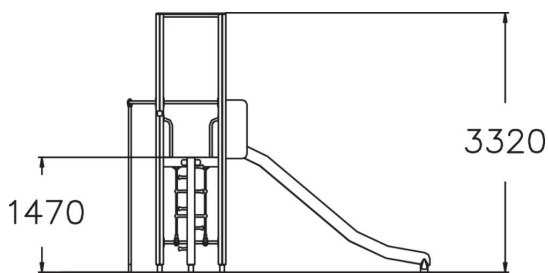


-  Climbing
2
-  Roofs
1
-  Slides
1
-  Towers
1



The high (1,470 mm) tower can be accessed by the curved ladder or rung ladder, and the exhilarating descent at high speed is via the slide or a fireman's pole.



| | |
|-------------------------------|-----------------------------------|
| User age | 4+ |
| Number of users | 5 |
| Product length, mm | 3880 |
| Product width, mm | 1880 |
| Product height, mm | 3320 |
| Impact area, m ² | 25 |
| Falling space, m ² | 25.3 |
| Height required, mm | 3320 |
| Max. free fall height, mm | 1470 |
| Safety info | EN 1176-1, 3 TÜV |
| Installation time (for 1), H | 7 |
| Foundation options | deep_mounting surface_mounting |