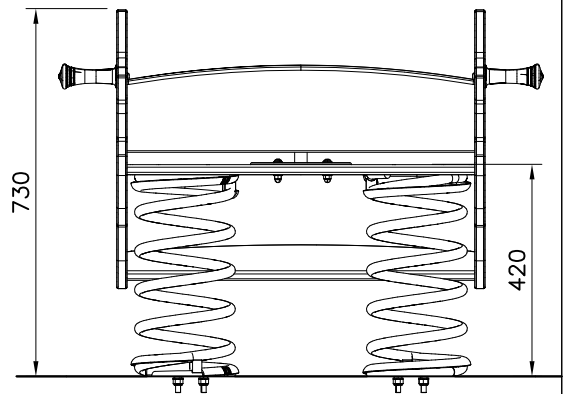
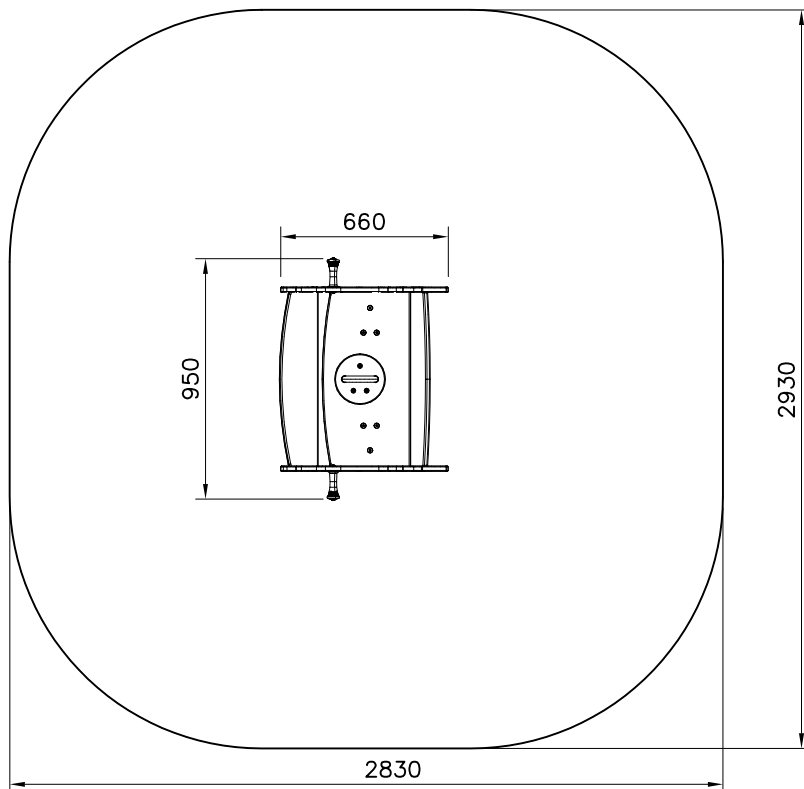
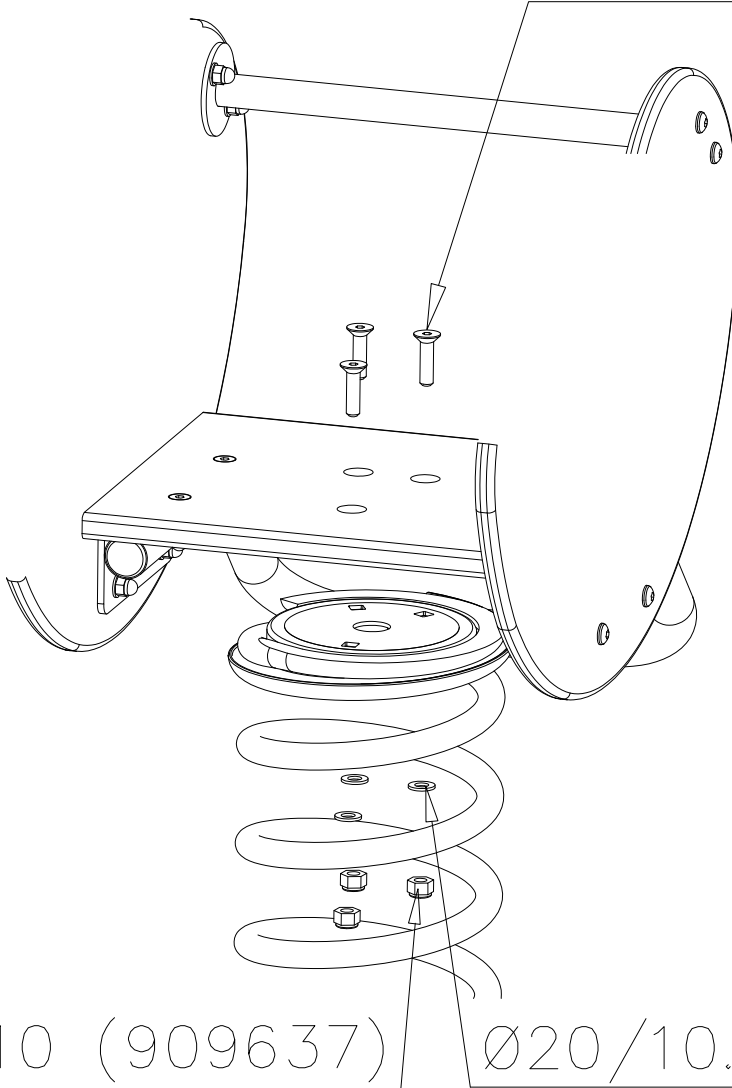


- EN Impact Area 7.5 m2
- Falling Space 7.5 m2
- Max Falling Height 600 mm



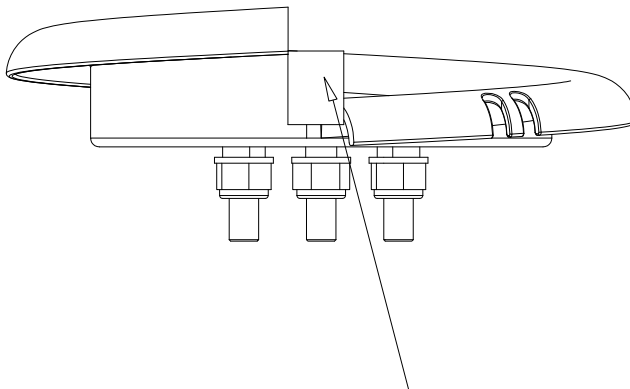
DET 1

M10x40 (901487)

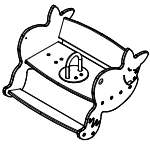

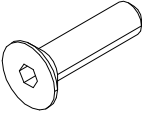

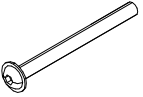
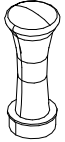





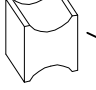


M10 (909637)

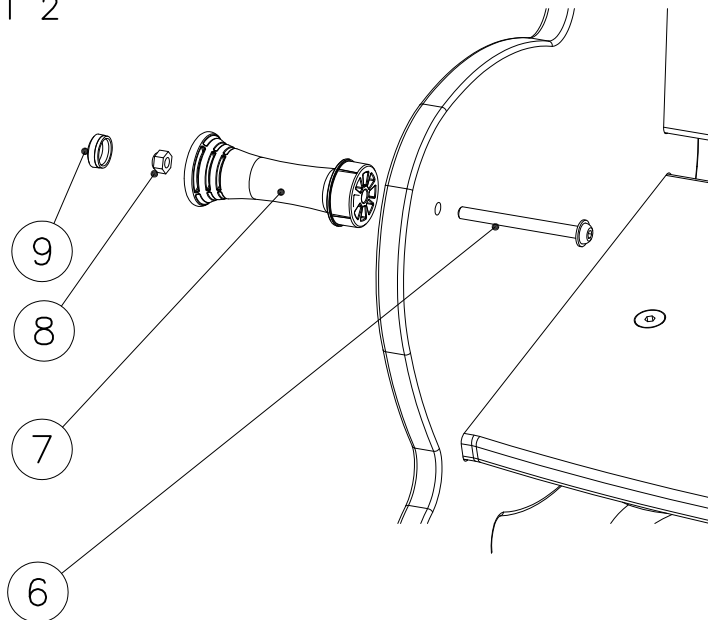
Ø20/10.5x2 (901302)



Muoviosan sijoitus (903193)  
Position of the plastic piece

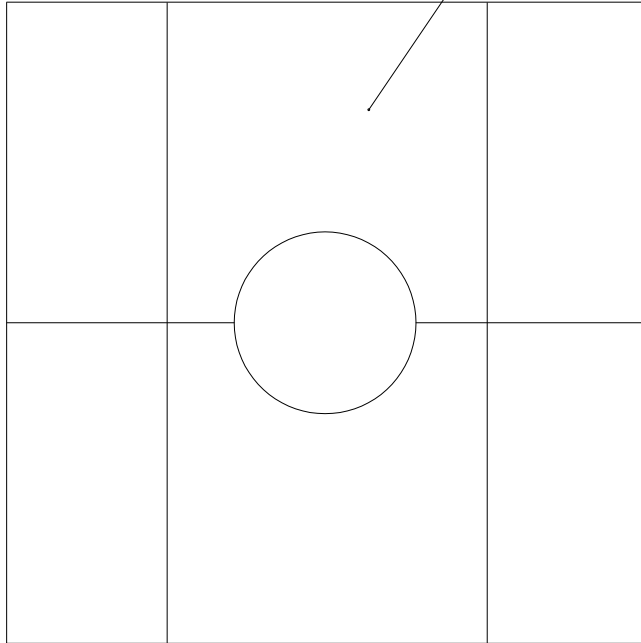
|  |     |  |     |   |     |  |     |   |     |   |     |
|--|-----|--|-----|---|-----|--|-----|---|-----|---|-----|
| ① 707573   | PCS |  | PCS |   | PCS |  | PCS |   | PCS |   | PCS |
|  | 1   |  |     |   |     |  |     |   |     |   |     |
| FOX  |     |  |     |   |     |  |     |   |     |   |     |
|  | PCS |  | PCS |   | PCS |  | PCS |   | PCS |   | PCS |
|  |     |  |     |   |     |  |     |   |     |   |     |
|  |     |  |     |   |     |  |     |   |     |   |     |
| ② 702286   | PCS | ③ 901487   | PCS | ④ 903192  | PCS |  | PCS | ⑥ 900859  | PCS | ⑦ 905023  | PCS |
|  | 1   |                             | 6   |  | 2   |  |     |   | 2   |    | 2   |
| 90x50  |     | M10x40   |     | 20x200x400  |     |  |     | M8x90   |     | Ø50x126   |     |
|  |     |  |     |   |     |  |     |   |     |   |     |
|  |     |  |     |   |     |  |     |   |     |   |     |
|  |     |  |     |   |     |  |     |   |     |   |     |
|  |     | ⑤ 903191   | PCS |   | PCS |  | PCS | ⑧ 980160  | PCS | ⑨ 905112  | PCS |
|  |     | <br>M10x35<br>(902252)    | 4   |   |     |  |     |  | 2   |  | 2   |
|  |     | <br>Ø20/10.5x2<br>(901302) |     |   |     |  |     | M8  |     | Ø22   |     |
|  |     | <br>M10<br>(909637)       |     |   |     |  |     |   |     |   |     |
|  |     | <br>19x21x25<br>(903193)  |     |   |     |  |     |   |     |   |     |

DET 2

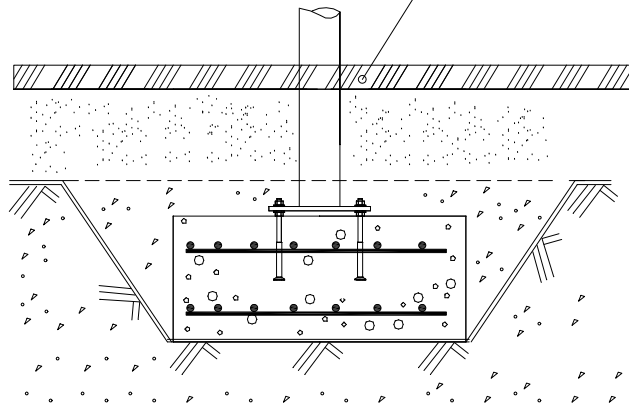


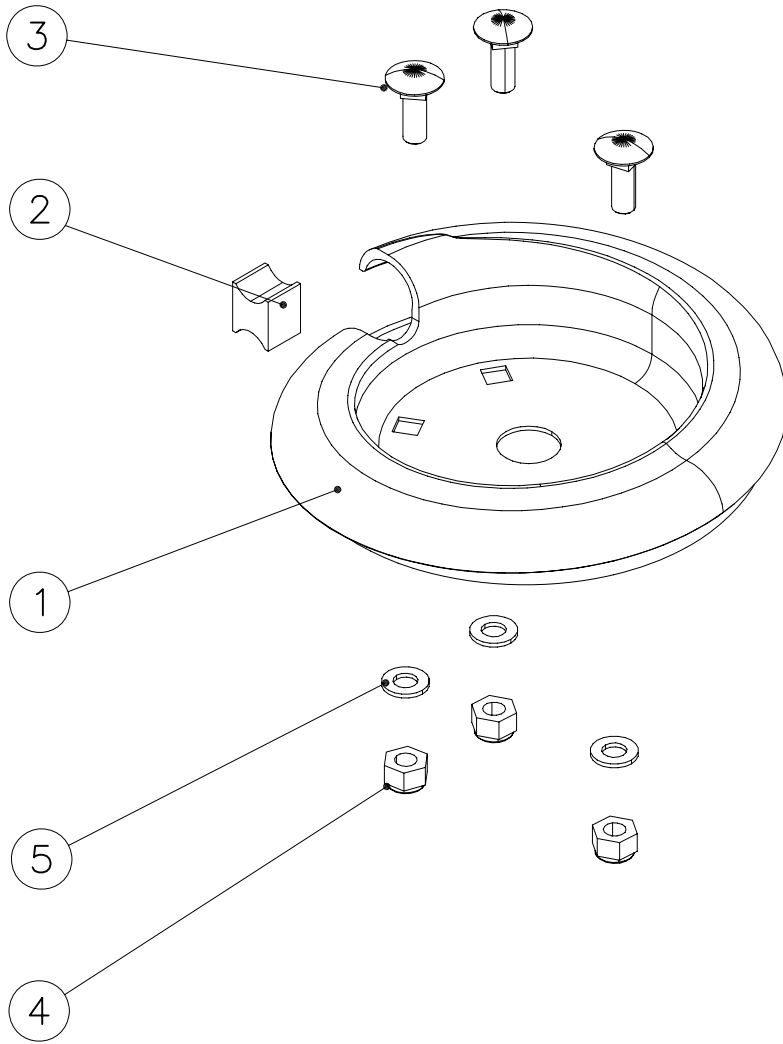
|   |  |   |                 |                 |                |         |                |         |                |       |                |   |
|---|--|---|-----------------|-----------------|----------------|---------|----------------|---------|----------------|-------|----------------|---|
|                 |  |   |                 |                 |                |         |                |         |                |       |                |   |
| <p><b><math>h &lt; 600</math></b></p> <p>Without movement and therefore without Impact Area</p> | <p>Totally hard surfaces.</p> <p>Note. Lappset does <u>not recommend</u> totally hard surfaces at all.</p>   | <p>E.g. concrete or asphalt</p>    |                 |                 |                |         |                |         |                |       |                |   |
| <p><b><math>h &lt; 600</math></b></p> <p>With movement e.g. rocking</p>                         | <p>Materials with very limited impact attenuating properties.</p>  | <p>E.g. wood</p>   |                 |                 |                |         |                |         |                |       |                |   |
| <p><b><math>h &lt; 1000</math></b></p>  | <p>Materials with significant impact attenuating properties.</p>   | <p>fine gravel 0–8 mm</p>  <p>grass</p>  <p>unsorted sand</p>  |                 |                 |                |         |                |         |                |       |                |   |
| <p><b><math>h &lt; 3000</math></b></p>  | <p>Loose fill material</p> <p>E.g.<br/>sand/gravel 0,25...8 mm D60/D10&lt;3,0<br/>Woodchips 5...30 mm<br/>bark 20...80 mm</p>  |  <table data-bbox="1021 1691 1332 1792"> <tr> <td><math>\underline{S}</math></td> <td><math>\underline{h}</math></td> </tr> <tr> <td>30 cm</td> <td>&lt; 2,0 m</td> </tr> <tr> <td>40 cm</td> <td>&lt; 3,0 m</td> </tr> </table>       | $\underline{S}$ | $\underline{h}$ | 30 cm          | < 2,0 m | 40 cm          | < 3,0 m |                |       |                |   |
| $\underline{S}$   | $\underline{h}$  |   |                 |                 |                |         |                |         |                |       |                |   |
| 30 cm   | < 2,0 m  |   |                 |                 |                |         |                |         |                |       |                |   |
| 40 cm   | < 3,0 m  |   |                 |                 |                |         |                |         |                |       |                |   |
|   | <p>Syntethic granulates</p> <table data-bbox="406 1892 758 2060"> <tr> <td><math>\underline{S}</math></td> <td><math>\underline{h}</math></td> </tr> <tr> <td>40 mm</td> <td>~&gt; 1,2...1,3 m</td> </tr> <tr> <td>50 mm</td> <td>~&gt; 1,5...1,7 m</td> </tr> <tr> <td>60 mm</td> <td>~&gt; 1,8...2,0 m</td> </tr> <tr> <td>70 mm</td> <td>~&gt; 2,1...2,5 m</td> </tr> </table> <p>Note. For accurate values, see manufacturer's instructions.</p> | $\underline{S}$   | $\underline{h}$ | 40 mm           | ~> 1,2...1,3 m | 50 mm   | ~> 1,5...1,7 m | 60 mm   | ~> 1,8...2,0 m | 70 mm | ~> 2,1...2,5 m |  |
| $\underline{S}$   | $\underline{h}$  |   |                 |                 |                |         |                |         |                |       |                |   |
| 40 mm   | ~> 1,2...1,3 m   |   |                 |                 |                |         |                |         |                |       |                |   |
| 50 mm   | ~> 1,5...1,7 m   |   |                 |                 |                |         |                |         |                |       |                |   |
| 60 mm   | ~> 1,8...2,0 m   |   |                 |                 |                |         |                |         |                |       |                |   |
| 70 mm   | ~> 2,1...2,5 m   |   |                 |                 |                |         |                |         |                |       |                |   |

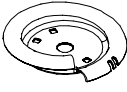
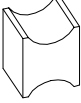
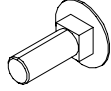

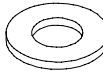
REMOVE SAFETY SURFACE/SAND/GRAVEL  
TO CHECK FOUNDATION



REMOVE SAFETY SURFACE/SAND/GRAVEL  
TO CHECK FOUNDATION





|   |          |   |          |
|---|----------|---|----------|
| ①   | PCS<br>1 | ②   | PCS<br>1 |
|  |          |  |          |
|   |          | 19x21x25  |          |
| ③   | PCS<br>3 | ④   | PCS<br>3 |
|  |          |  |          |
| M10x35  |          | M10   |          |
| ⑤   | PCS<br>3 |   | PCS      |
|  |          |   |          |
| Ø20/10.5  |          |   |          |
|   | PCS      |   | PCS      |
|   |          |   |          |
|   | PCS      |   | PCS      |
|   |          |   |          |
|   | PCS      |   | PCS      |
|   |          |   |          |
|   | PCS      |   | PCS      |
|   |          |   |          |
|   | PCS      |   | PCS      |
|   |          |   |          |

## Jousen ja kiinnityslevyn kiinnittäminen

### Fixing the spring and gable plate

Aseta jousen kiinnityslevy jousen kierteiden väliin.  
Place the spring berch between the bottom coils



Kierrä kiinnityslevyä kohti kiinnitysalustaa.  
Turn the spring berch towards the anchor



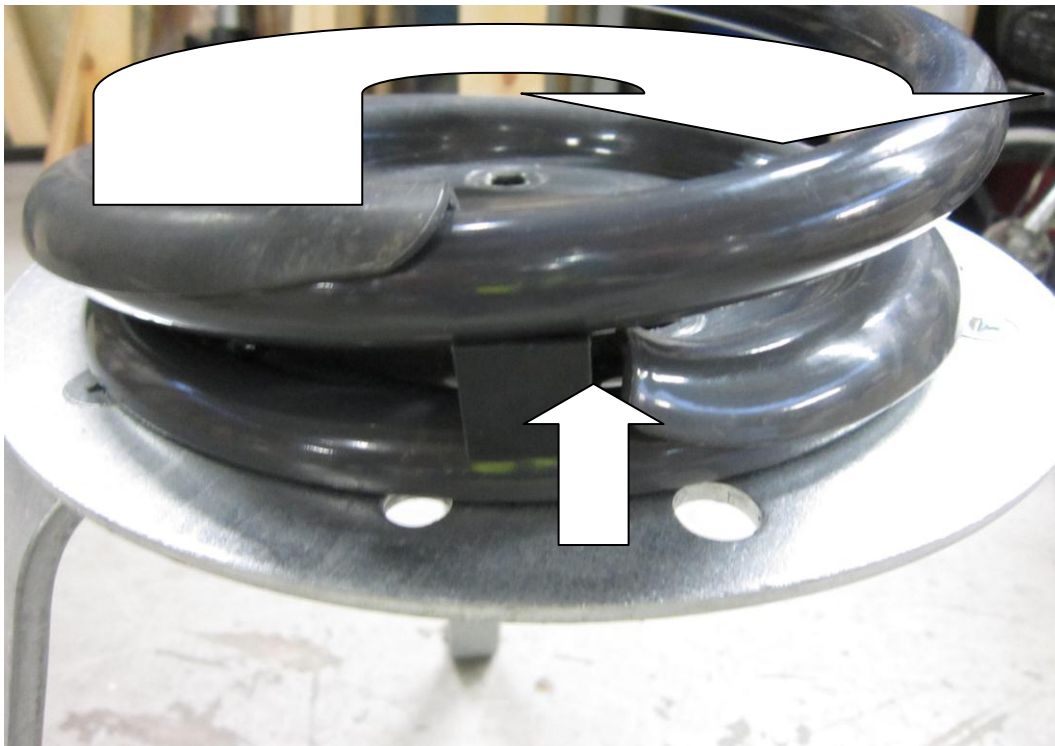
Aseta muovipala kiinnityslevyn kierteen aloitus- ja lopetus osan väliin kuvan osoittamalla tavalla.

Place the plastic piece between coils as shown below



Kierrä kiinnitys levyä myötäpäivää, kunnes muovipala koskettaa jousen kierrettä.

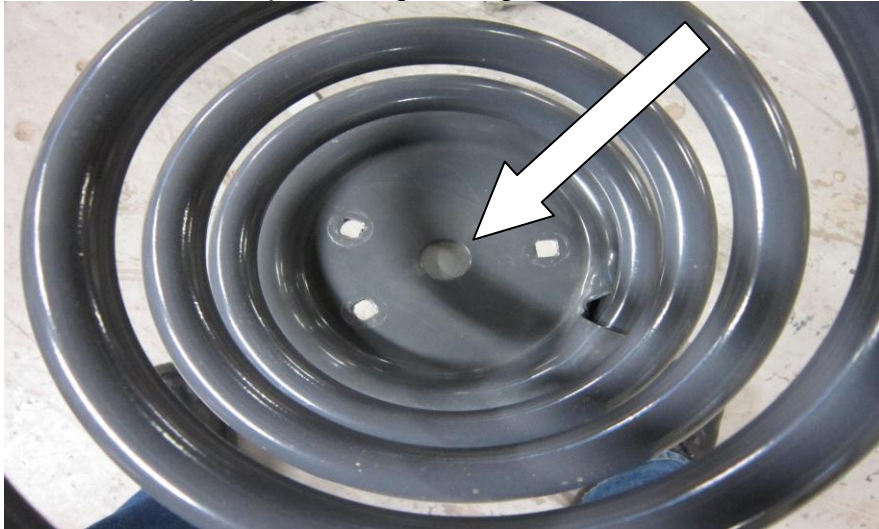
Turn the spring berch clockwise until the plastic piece is in contact to coils below and underneath.





Kohdista kiinnityslevyn pulttien reiät ja perustuksen kiinnitysreiät kohdalleen. 5mm – 10mm rako ennen kiristystä.

Center the fixing holes of anchor and spring berch. There should be 5-10 mm gap between the parts prior to tightening.



Kiristä huolellisesti pultit vuorotellen kiristäen. Kiristuksen jälkeen osien välillä saa olla korkeintaan 1mm rako keskireiästä katsoen.

Tighten the bolts gradually, about 1 turn at the time. After the tightening, there must not be more than 1mm gap between the parts

